

User guide

CookSurface

CG363ML & CG363MLD models

Guide de l'utilisateur

CookSurface

Modèles de série CG363ML et CG363MLD

US CA

WARNING!

If the information in this manual is not followed exactly, a fire or explosion may result causing property damage, personal injury or death.

Do not store or use gasoline or other flammable vapors and liquids in the vicinity of this or any other appliance.

NEVER use this appliance as a space heater to heat or warm the room. Doing so may result in carbon monoxide poisoning and overheating of the appliance.

WHAT TO DO IF YOU SMELL GAS

- **Do not try to light any appliance.**
- **Do not touch any electrical switch.**
- **Do not use any phone in your building.**
- **Immediately call your gas supplier from a neighbor's phone. Follow the gas supplier's instructions.**
- **If you cannot reach your gas supplier, call the fire department.**

Installation and service must be performed by a qualified installer, service agency or the gas supplier.

Introduction	3
Safety and warnings	4
Using your CookSurface	8
Cooking guidelines	11
Care and cleaning	14
Sound preference settings	18
Troubleshooting	20
Alert codes	22
Warranty and service	25

Important!

SAVE THESE INSTRUCTIONS

The models shown in this user guide may not be available in all markets and are subject to change at any time. For current details about model and specification availability in your country, please visit our local website listed on the back cover or contact your local Fisher & Paykel dealer.

Introducing your CookSurface

Congratulations on your new purchase. The Fisher & Paykel CookSurface is the ultimate in gas cooking, giving you the speed of gas, the precision and simplicity of electronic control, and the easy-care elegance of a ceramic glass surface.

Your CookSurface has a number of features, including a constant flame safety system, automatic cool-down responses, hot warning indicators, and audio and visual feedback through the electronic interface and built-in speakers.

Before using your CookSurface

- Make sure the installer has completed the installation checklist in the installation instructions.
- Read this guide, taking special note of the 'Safety and warnings' section.
- A heat-resistant removable sticker on the glass has been provided as a quick reference guide. When you no longer need it, it can be easily peeled off.

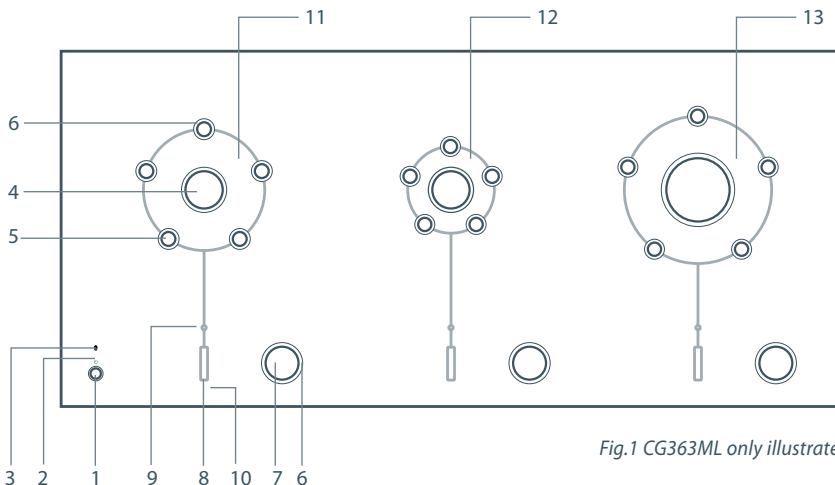


Fig.1 CG363ML only illustrated

- | | |
|-----------------------|------------------------|
| 1 On/Off power button | 8 Control display |
| 2 On/Off light | 9 Burner-ready light |
| 3 Keylock light | 10 Hot warning light |
| <i>Pan supports:</i> | |
| 4 Burner head | 11 Medium Aero™ burner |
| 5 Pan support pins | 12 Small Aero™ burner |
| 6 Trim rings | 13 Wok Aero™ burner |
| 7 Control dial | |

Safety and warnings

Your safety is important to us. Please read this information before using your CookSurface.

⚠ WARNING!



Explosion Hazard

Do not use water on grease fires. A violent steam explosion may result. Smother fire or flame or use dry chemical or foam type extinguisher. Do not use the appliance to heat unopened food containers, such as cans. This will cause the container to burst and could result in injury. Do not store flammable materials such as gasoline near the appliance. Do not spray aerosols in the vicinity of this appliance while it is in operation. Failure to follow this advice may result in death or injury.

⚠ WARNING!



Poisoning Hazard

Clean the appliance with caution. If a wet sponge or cloth is used to wipe spills on a hot cooking area, be careful to avoid steam burn. Some cleaners can produce noxious fumes if applied to a hot surface.

Never use this appliance as a space heater to heat or warm the room. Doing so may result in carbon monoxide poisoning and overheating of the appliance.

Failure to follow this advice may result in poisoning or death.

⚠ WARNING!



Electrical Shock Hazard

If the surface is cracked, switch the power to the appliance off at the wall to avoid the possibility of electric shock. Call your Authorized Service Center or Customer Care.

Failure to follow this advice may result in electrical shock.

⚠ WARNING!**Electrical Shock Hazard**

Before doing any user maintenance, locate the wall power outlet and disconnect the appliance from the power supply and turn off the gas supply at the shut-off valve.

This appliance is equipped with a three-prong grounding plug for your protection against shock hazard and should be plugged directly into a properly grounded power outlet. Do not under any circumstances cut or remove the grounding prong from this plug.

Failure to follow this advice may result in electrical shock.

⚠ WARNING!**Hot Surface Hazard**

Do not touch burners or areas near burners. Burners may be hot even though they are dark in color. Burners and areas near burners may become hot enough to cause burns. To avoid risk of burns and/or fire, keep loose clothing, potholders or any other flammable materials well clear of the burner flame. Do not touch or let clothing, potholders or other flammable materials contact burners or areas near burners until they have had sufficient time to cool. Among these areas is the area within the circles around the burners, including the pan support pins.

Always use a dry potholder when removing cookware from the appliance.

Do not use wet or damp potholders as these can cause steam burns. Do not use towels or similar cloths for removing cookware.

Do not leave children alone or unattended near the appliance. Never allow children to stand, sit or play near, on or with the appliance.

Be careful when reaching for items stored in cabinets over the appliance. Flammable materials could be ignited if brought in contact with flame or hot surfaces and may cause severe burns.

Failure to follow this advice could result in burns and scalds.

Important safety instructions!

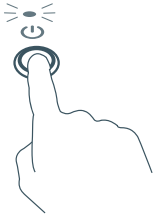
- *Have your appliance installed and properly grounded by a qualified installer in accordance with the installation instructions.*
- *Ensure that a manual gas shut-off valve is installed in a location accessible after installation.*
- *Be sure to have the installer show you how to turn off the gas and electrical supply.*
- *Use this appliance only for its intended purpose as described in this user guide.*
- *This appliance cannot be used in the event of a power failure. Do not attempt to operate the appliance during power failure.*
- *Wear proper apparel. Loose fitting or hanging garments should never be worn while using the appliance.*
- *Turn the pot handles to the side or the back of the appliance away from the reach of children. Handles should not be positioned over adjacent burners.*
- *Always check that you have turned the burners off when you have finished cooking.*
- *Never leave the appliance unattended when in use. Boilover causes smoking and greasy spillovers that may ignite.*
- *Before using the appliance, ensure that all burners have been assembled correctly.*
- *Do not operate a burner without all burner parts in place.*
- *Always keep flammable wall coverings, curtains or drapes a safe distance from your appliance.*
- *For safety reasons, the burner flame size should be adjusted so it does not extend beyond the edge of the cookware.*
- *Use cookware of the appropriate size and construction for the type of cooking. This appliance is equipped with burners of different sizes. Cookware must be matched to the size of the burner. Select utensils with flat bottoms large enough to cover the burner flames. The use of undersize utensils will expose a portion of the burner flames to direct contact and may result in ignition of clothing. Proper relationship of utensil to burner will also improve efficiency.*
- *We recommend raising the pan supports first then placing the pan on them (the pan supports are not primarily designed for lifting pans).*
- *Do not stand on this gas appliance.*
- *For safety reasons, do not store items of interest to children above or at the back of the appliance - children climbing on the appliance to reach items could be seriously injured.*
- *When deep-frying in fat, be sure the pan is large enough not to cause an overflow from bubbling of the fat. Do not deep-fry foods with a high moisture content or food covered with frost.*
- *Do not let cooking grease or other flammable materials accumulate near the appliance.*
- *Do not repair or replace any part of the appliance unless specifically recommended in this user guide. All other servicing should be referred to a qualified technician.*
- *Glazed cooking utensils - only certain types of glass, glass/ceramic earthenware, or other glazed utensils are suitable for cooktop service without breaking due to sudden change in temperature.*

Important safety instructions!

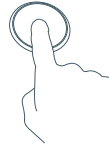
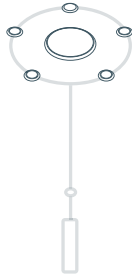
- *Do not obstruct the flow of combustion and ventilation air to the appliance.*
- *The Governor of California is required to publish a list of substances known to the State of California to cause cancer or reproductive harm and requires businesses to warn customers of potential exposures to such substances.*

WARNING!: *Gas appliances contain or produce substances which can cause death or serious illness and which are known to the State of California to cause cancer, birth defects or other reproductive harm. To reduce the risk from substances in fuel or from fuel combustion, make sure this appliance is installed, operated, and maintained according to the manufacturer's instructions.*

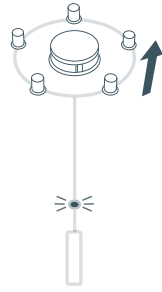
Operating the CookSurface



- 1 Press the on/off power button.



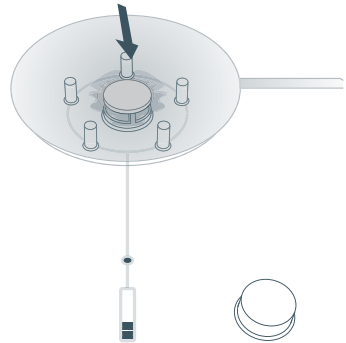
- 2 Press the control dial.
A tone will sound.



- 3 The dial and the pan supports will rise. The burner-ready light will then glow for four seconds.



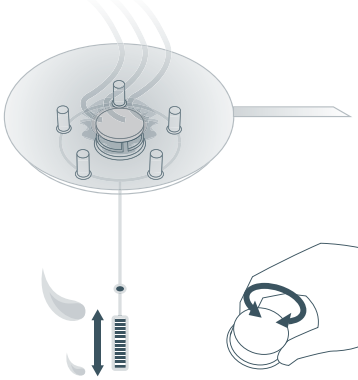
- 4 While the burner-ready light is glowing, turn the dial clockwise to light the gas.



- 5 Place your pan on the pan supports.

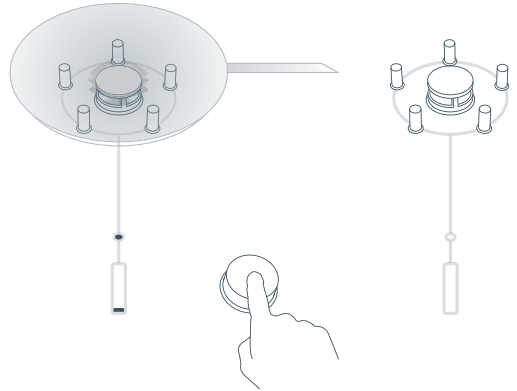
Note: if the burner-ready light goes out before you light the gas, press the dial again.

Operating the CookSurface

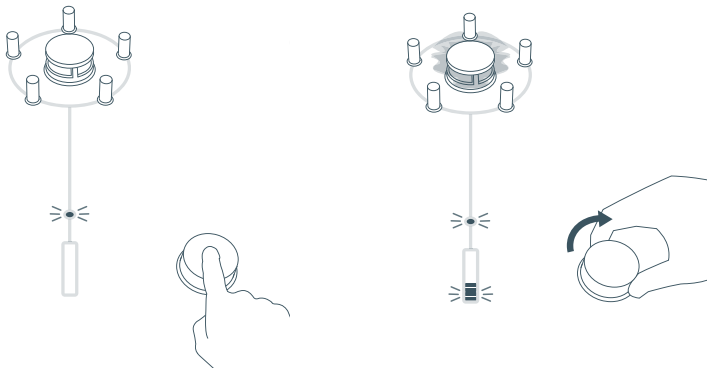


- 6 Turn the dial to accurately adjust the flame.

Note: the flame will not go out if you keep turning the dial down.



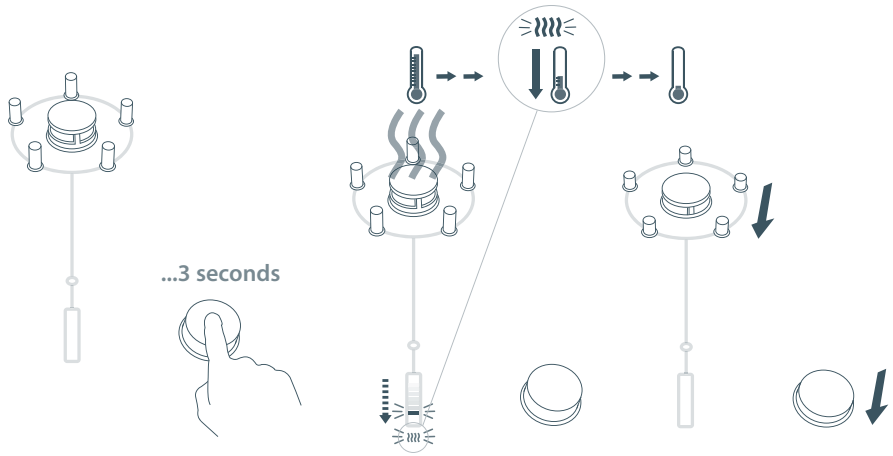
- 7 To stop cooking, press the dial. The gas will be shut off, and the pan supports will stay raised. If they're hot, the hot warning light will glow.



- 8a To relight the burner when the pan supports are raised:

- Press the dial. The burner-ready light will glow for four seconds.
- While the burner-ready light is glowing, turn the dial clockwise to light the gas.

Using your CookSurface

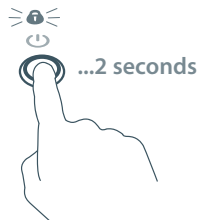


- 8b** To lower the pan supports automatically after you have finished cooking, press and hold the dial for three seconds while the burner is lit. The flame will go out and the pan supports, if cool enough, will lower.

If the supports are hot, the hot warning light will glow and the control display will show a descending sequence of lights until the burner has cooled. This can take between 30 seconds and 30 minutes depending on the flame setting and how long the burner had been in use. Once cool, the pan supports will lower automatically.

To turn the CookSurface off, press the on/off power button. Note: if a burner is still cooling, the hot warning light will glow. Once cool, the burner will lower automatically and the CookSurface will turn off.

Keylock



The keylock stops children from turning on the dials. You can only set the keylock when the burners are off. To set the keylock, press and hold the on/off power button for two seconds. A tone will sound and the keylock light will then glow. To turn the keylock off, press and hold the on/off power button for two seconds, a tone will sound and the keylock light will go out.

Important!

- *Do not use pans with jagged edges or drag pans across the ceramic glass surface as this can scratch the glass.*
- *Do not drag pans backwards and forwards across the pan support pins, burner heads and trim rings eg when placing and removing pans or sauteing food, as this can damage them, especially the coating on the pan support pins.*

Cooking tips

- Match the size of the pan to the burner. You may not need to change burners during cooking because each Aero™ burner goes from very high to very low.
- For best results use high-quality pans with flat, thick bases.
- Only use just enough water to cover the food when boiling and use a lid on the pan to reduce the cooking time and save energy.
- For the small burner, pans should be 4" (10 cm) or larger in diameter.
- For the medium burner, pans should be 6" (15 cm) or larger in diameter.
- For the wok burner, pans should be 7" (18 cm) or larger in diameter. Woks should be no larger than 16" (40 cm). Check that your wok is adequately supported by the wok stand.

Using the CookSurface's special talents

The Aero™ burners on your CookSurface are versatile, highly responsive and operate over a wide range of settings. Turning the dial gives you accurate and repeatable control of the flame. Once you know what setting is right for your cooking task, you can always use that exact setting for the task.

Simmering, keeping food warm, and cooking rice

- The low turn-down on the smaller Aero™ burners is perfect for delicate tasks, and for keeping hot food warm. Experiment with the low settings until you find the one that suits your pans and the food you are cooking.
- Simmering occurs below boiling point, at around 185 °F (85 °C), when bubbles are just rising occasionally to the surface of the cooking liquid. It is the key to delicious soups and tender stews because the flavors develop without overcooking the food. You should also cook egg-based and flour-thickened sauces below boiling point.
- Some tasks, including cooking rice by the absorption method, may require a setting higher than the lowest setting to ensure the food is cooked properly in the time recommended.

Searing steak

To cook juicy flavorsome steaks:

- 1 Stand the meat at room temperature for about 20 minutes before cooking.
- 2 Heat up a heavy-based frying pan.
- 3 Brush both sides of the steak with oil. Drizzle a small amount of oil into the hot pan and then lower the meat onto the hot pan.
- 4 Turn the steak only once during cooking. The exact cooking time will depend on the thickness of the steak and how cooked you want it. Times may vary from about 2 – 8 minutes per side. Press the steak to gauge how cooked it is – the firmer it feels the more 'well done' it will be.
- 5 Leave the steak to rest on a warm plate for a few minutes to allow it to relax and become tender before serving.

Using a wok

Important!

- Use your wok only on the wok burner.
- When using a wok, always use the wok stand.
- Make sure the wok stand is fitted correctly over the raised pan supports. (see Fig.2)
- Do not use a wok larger than 16" (40 cm) diameter. Check that your wok is adequately supported by the wok stand.
- Make sure the wok does not push any other pans aside. This could make them unstable, or deflect heat onto nearby walls or the countertop.

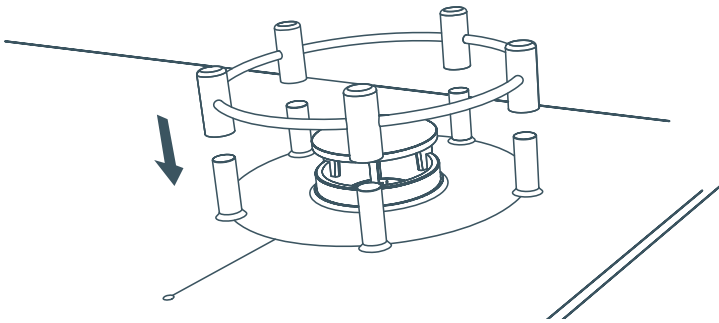


Fig.2 Wok stand is placed onto the raised wok burner pan supports

For stir-frying

- 1 Have all the ingredients and equipment ready. Stir-frying should be quick. If cooking large quantities, cook the food several smaller batches.
- 2 Preheat the wok for a minute or so with the burner turned up high enough to heat the sides of the wok. (If your wok is small or thin-based, this may not be the highest setting on the burner.)
- 3 Drizzle two tablespoons of oil around the sides of the hot wok, allowing it to run down into the base.
- 4 Cook any meat first, put it aside and keep warm.
- 5 Stir-fry the vegetables. When they are hot but still crisp, turn the burner to low, return the meat to the wok and add your sauce.
- 6 Stir the ingredients gently to make sure they are heated through.
- 7 Serve immediately.

Your CookSurface has been designed to combine the easy-care cleaning of ceramic glass with the performance of gas.

Important!

- *Read through the 'Safety and warnings' and 'Care and cleaning' sections carefully before doing any cleaning or maintenance.*
- *To avoid the risk of electrical shock or burners being accidentally turned on during cleaning, make sure you turn the CookSurface off before cleaning by pressing the on/off power button.*
- *Remember that the CookSurface will need to be turned back on for the pan supports to rise and lower. See the specific cleaning instructions on the pages following.*

To maintain your CookSurface in good condition, follow the recommendations in the chart below :

When	What to do	Important!
Immediately	<ul style="list-style-type: none"> ■ Remove sugary spillovers or anything that melts onto the ceramic glass. See 'Melts and spills that require immediate attention' for instructions. 	<ul style="list-style-type: none"> ■ <i>Take care not to scratch the glass or damage the trim rings or pan support pins.</i> ■ <i>Take extreme care when working around hot surfaces.</i>
After every use	<ul style="list-style-type: none"> ■ Keep the pan supports clean to ensure that they rise and lower properly during use. See 'Cleaning the pan supports (the pan support pins and burner heads)'. ■ Lower the cooled, clean pan supports and wipe the CookSurface with a damp, soft cloth and mild detergent. See 'Cleaning the ceramic glass' for further instructions and information. 	<ul style="list-style-type: none"> ■ <i>Always clean soiled pan supports before lowering them.</i> ■ <i>Do not let spills and stains become burnt onto the glass or pan supports.</i> ■ <i>Do not use abrasive sponges, heavy-duty or unsuitable nylon scourers, or corrosive cleaners such as oven sprays and stain removers.</i>
Once every six months	<ul style="list-style-type: none"> ■ Check that the airflow through the air filter mesh (on the underside of your CookSurface) and the air intake grill (installed in the base of your cabinet) is not blocked or reduced, eg by accumulated dust or other dirt. ■ Clean the mesh and grill with a small brush if necessary. 	
Once every year	<ul style="list-style-type: none"> ■ Check the gas connection hose for any sign of abrasion, kinking, or any other damage. 	<ul style="list-style-type: none"> ■ <i>If you are unsure as to the condition of the gas connection hose, contact your Authorized Service Center or Customer Care.</i>

Melts and spills that require immediate attention

Anything that melts onto the ceramic glass surface or food spills with a high sugar content may cause pitting of the ceramic glass surface if left there to cool. Using extreme caution, remove these spills immediately with a fish slice, palette knife or cooktop scraper. Take care when working around the hot surfaces and ensure you do not scratch the glass or damage the trim rings or pan support pins. Examples of melts and spills requiring immediate attention include:

- melted plastic wrap
- melted aluminum foil
- sugar, sugary syrups, jams and jellies
- vegetables and vegetable water with a high sugar content eg peas, sweet corn, beet.

Cleaning the ceramic glass

For best results, do not let spills and stains become burnt onto the ceramic glass. Clean the CookSurface after every use. Simply lower the cooled pan supports and the control dials and wipe the CookSurface with a damp, soft cloth and mild detergent. A microfiber cloth is ideal for this task. Most soiling is very easy to remove because the glass does not get as hot as an electric ceramic glass cooktop. Soften stubborn stains under a soapy cloth.

Ceramic cooktop cleaner

Ceramic cooktop cleaner may be used to spot-clean stubborn stains. Follow the instructions on the container. If you must use a razor blade scraper, take care not to damage the trim rings.

Important!

If cooktop cleaner residue is left on the trim rings, it can dry on and may cause the pan supports, control dials and power button to get stuck. Be careful and wipe around the trim rings and not over them.

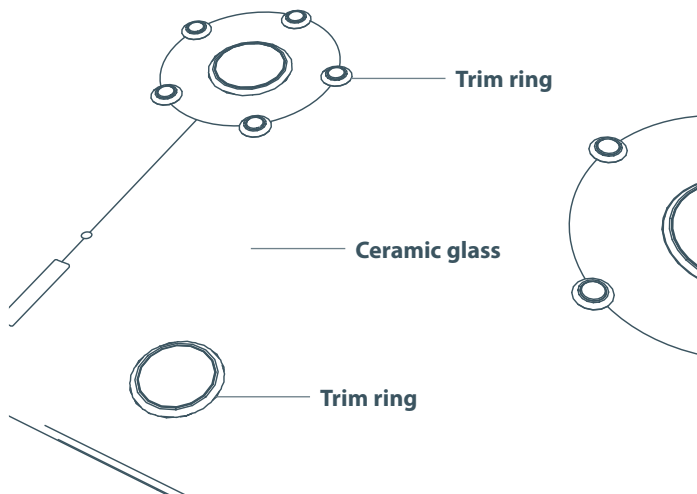


Fig.3 Cleaning the cooking surface

Cleaning the pan supports (the pan support pins and burner head)

Important!

- *Do not wash pan supports in a dishwasher or use dishwashing machine detergent to clean these parts as this may damage the easy-clean coating.*
- *After reassembling any burner, always lower the burner before using the CookSurface to check it has been reassembled correctly.*

If food spills have burnt onto the pan supports, the supports may not lower when the control dial is pressed and held for two seconds. This is not a fault. You need to remove and clean them.

To clean the pan support pins

- 1 Press the on/off power button to turn the CookSurface on.
- 2 Press the control dial to raise the pan supports.
- 3 Press the on/off power button to turn the CookSurface off.
- 4 Gently pull the pan support pins up and out. If food has become burnt onto the pins and the surrounding ceramic glass, it may be necessary to gently twist the pin to remove it.
- 5 Soak the pins in warm water with a little hand dishwashing (or other mild) detergent. The pins have an easy-clean coating. Harsh or abrasive cleaners should not be necessary and may damage the coating.
- 6 Wipe with a soft cloth and dry thoroughly.
- 7 Carefully replace all the pan support pins correctly.
- 8 Press gently to clip into position.

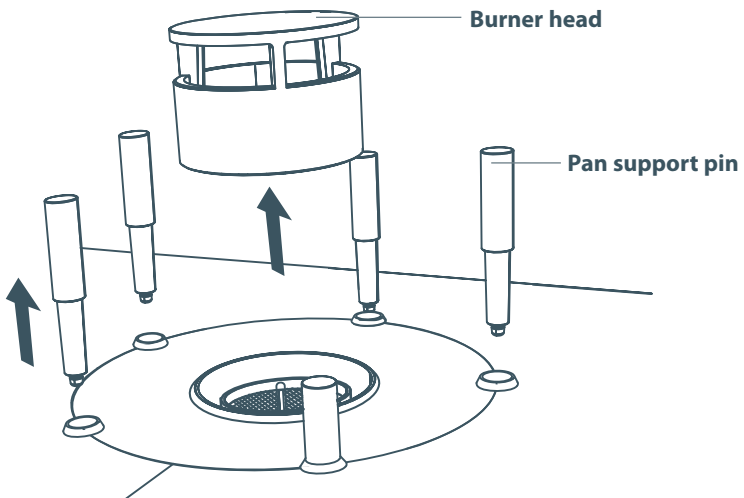


Fig.4 Removing the pan supports

To clean the burner head

- 1 Lift out the burner head and clean with a cloth or scourer. The burner head gets much hotter than the pan support pins and for this reason it is not finished with an easy-clean coating. If cooking splatter and spills get burnt onto the burner head, scrub with a mildly abrasive cleaner and a soft cloth. Ceramic cooktop cleaner is suitable for this.
- 2 Replace the clean burner head.
- 3 Press the on/off power button to turn the CookSurface on.
- 4 Lower the pan supports before using to check they have been reassembled correctly (see Fig. 4).

If spilled or burnt food has stuck the pan supports in the 'down' position, soften the spill with a damp, soapy, soft cloth and remove the food.

Cleaning the on/off power button and the control dials

Wipe these with a soft cloth and mild detergent. You can remove the control dials by pulling them up and out.

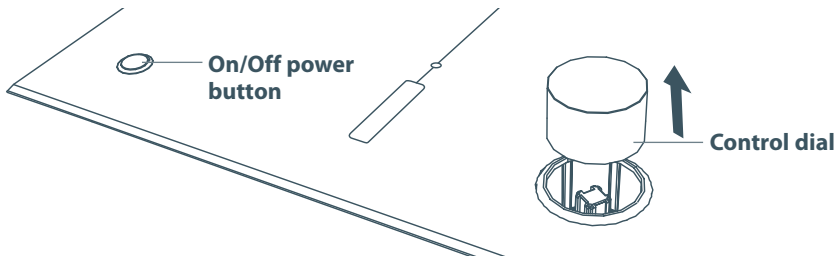


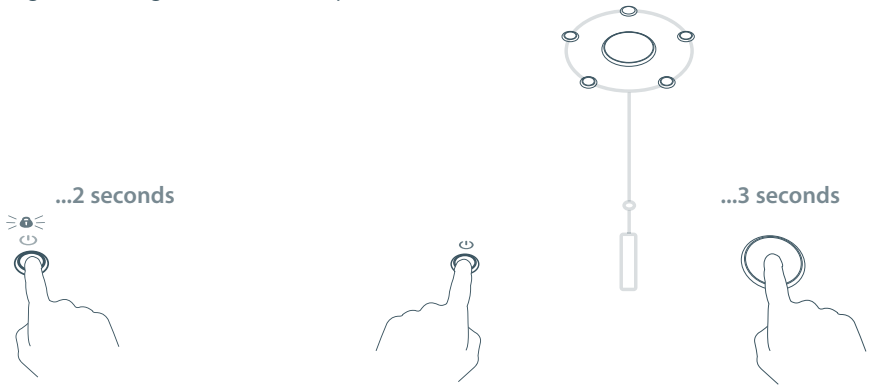
Fig.5 Remove the control dials by pulling them up and out

18 Sound preference settings

The CookSurface has three pre-set sound preference settings (tones, tone volume, feedback tones).

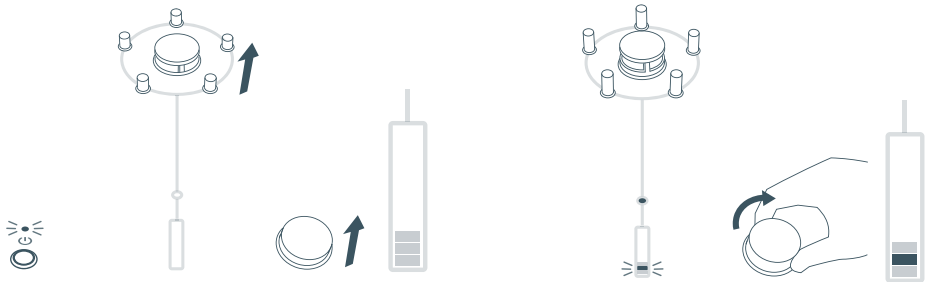
Changing the settings

To change the settings, follow these steps.



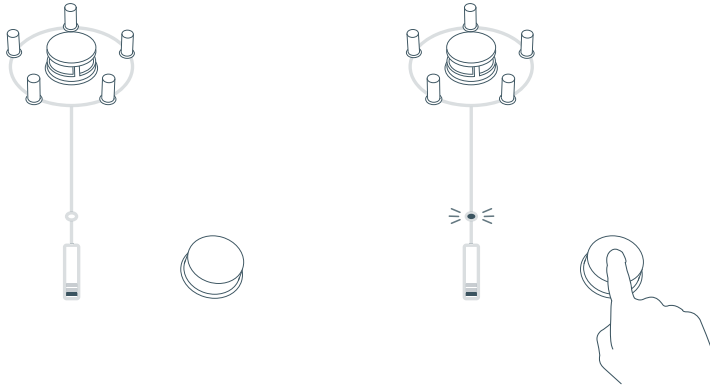
- 1 Hold down the on/off power button for two seconds. This sets the keylock.

- 2 Firmly press both the on/off power button and the nearest burner control dial for three seconds.















- Once you are in the **Sound preference mode**, the on/off light will flash every second and the burners' pan supports will rise. The keylock light will go out. Turn the dial clockwise to highlight the first setting. The other two lights will be dimmed.

- 3 Each setting has two options (**see table following**). Turn the dial to highlight each setting.



- 4 Touch the dial to change the selected setting. The burner-ready light will go on or off, depending on which option you have chosen.

To revert to the previous option, touch the dial again.

Sound Settings	Default option	Alternative option
1 TONES <i>(You can turn the CookSurface tones on or off)</i>	 ON 	 OFF 
2 TONE VOLUME <i>(You can change the CookSurface tones' volume from normal to quiet)</i>	 NORMAL 	 QUIET 
3 FEEDBACK TONES <i>(You can turn feedback tones for high/low flame settings and burner motion, on or off)</i>	 ON 	 OFF 

- 5 To store the setting selection(s) and turn the CookSurface off, press the on/off power button.



Troubleshooting chart

Problem	Possible causes	What to do
The pan supports will not rise.	Power is not turned on.	Turn on the CookSurface.
The pan supports, on/off power button, or control dials are stuck.	Food has been spilled on these parts.	See 'Care and cleaning'.
A flame is extremely yellow or uneven.	The burner has been incorrectly reassembled after cleaning.	Reassemble the burner correctly (see 'Care and cleaning').
	Food has been spilled on the mesh under the burner head.	Call your Authorized Service Center or Customer Care.
	If you are using bottled gas, this may be an indication that the bottle is nearly empty.	Check the level of your gas bottle.
A burner is not lighting.	You are out of gas.	Refill your gas bottle or check the gas connection.
	Food has been spilled on the igniter.	Call your Authorized Service Center or Customer Care.
	The burner has been incorrectly reassembled after cleaning.	Reassemble the burner correctly (see 'Care and cleaning').
The flame goes out on the low setting.	You are out of gas.	Refill your gas bottle or check the gas connection.
	Moving air caused by opening/closing cupboard doors is blowing out the flame.	This may occur on a low setting. The burner will relight.
	Drafts are blowing out the flame.	Eliminate the draft. If the problem persists, call your Authorized Service Center or Customer Care.
	The low flame setting is too low.	Call your Authorized Service Center or Customer Care.
Pan supports rise or lower slowly and noisily.	Food has been spilled on these parts.	Clean the pan supports (see 'Care and cleaning').

Troubleshooting chart

Problem	Possible causes	What to do
There is an unpleasant (gas) smell.	The CookSurface is not functioning correctly or gas could be leaking.	Follow the instructions on the inside front cover of this manual.
There is an electricity failure.		The CookSurface cannot be used without an electricity supply. If the electricity has failed while the CookSurface was on, the gas supply will automatically shut off. The CookSurface will return to the 'off' state when the electricity is restored and will be ready to use.
The CookSurface shuts down suddenly. (Some alert codes may not have had time to display.)	The CookSurface has shut itself down to prevent damage.	Call your Authorized Service Center or Customer Care. For more information, and if alert codes were displayed, see 'Alert codes'.
	There has been an electricity failure.	See above problem.
My CookSurface is beeping and flashing.	It is asking you to do something.	See the 'Alert codes'. If the problem fails to clear after repeated attempts, call your Authorized Service Center or Customer Care.
The on/off light is flashing three times repeatedly and the CookSurface appears usable but there is no flame.	The CookSurface is in 'Showroom' mode.	Turn the power to the CookSurface off at the wall. Wait a few seconds and then turn the power back on again.

Alert codes

Your CookSurface can self-diagnose and then communicate this information to you.

If there is a problem, the CookSurface will:




- shut one or all burners off
- beep every three seconds
- flash one or more lights
- display an alert code on the control display(s). If only one burner has a problem, then its control display will show the alert code. If the whole CookSurface has a problem, then all the control displays will show a code (in most cases).

To clear the alert code and fix the problem

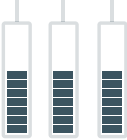
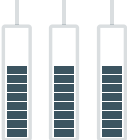

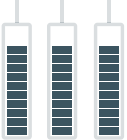
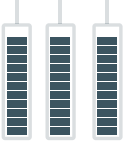
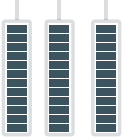
- 1 Make a note of which burner(s) display an alert code and the number of bars displayed. You will need this information.
- 2 Turn the power to the CookSurface off at the wall.
- 3 Wait 30 seconds, then turn the CookSurface back on again.
- 4 Check the chart following to see if you can fix the problem yourself.
- 5a If you can fix the problem and the alert code does not reappear, you can keep using your CookSurface.
OR
- 5b If you can't fix the problem yourself or the problem persists, turn the CookSurface off and call your Authorized Service Center or Customer Care with the alert code information.

Note: if a burner is hot, the CookSurface will wait for the burner to cool before shutting down.

Individual burner codes

Alert code	Possible causes	What to do
	The pan is too heavy for the pan supports to lift.	Remove the pan, let the pan supports rise up, and then place the pan back on the pan supports.
	The pan support pins are stuck in the down position because of spilled food.	Try to remove the food with a damp, soapy, soft cloth. If you cannot remove the food, then call your Authorized Service Center or Customer Care.
2 bars	The pan supports are stuck in the up position.	Clean the pan supports as described in the 'Care and cleaning' section. If the pan supports will not lower after cleaning, call your Authorized Service Center or Customer Care.
	The burner has extremely overheated. (This only happens after very long use at maximum temperatures.)	Wait for the CookSurface to cool down. Once the code has disappeared, you can use your burner again.
3 bars	No gas.	Check your gas supply, then turn the CookSurface off and on again. If you have checked your gas supply and the CookSurface displays this code again, call your Authorized Service Center.
	You have just changed your gas bottle.	Try relighting the wok burner a few times (to make sure gas fills the piping).
4 bars	Drafts from an open window or other ventilation are causing the burner to go out on low settings.	The CookSurface continuously monitors each burner to make sure the flame does not go out, and relights it if it does. If the system cannot relight a burner, it shuts off the gas, and displays this code. Call your Authorized Service Center or Customer Care.
	Food on the igniter.	Call your Authorized Service Center or Customer Care.

Entire CookSurface codes

Alert code	Possible causes	What to do
 7 bars	There is not enough air getting to the burners.	Check that <ul style="list-style-type: none">the underside of the CookSurface has direct unrestricted ventilation to the room where the CookSurface is installednothing is obstructing the air filter mesh on the underside of the CookSurfacethe airway to the CookSurface is not affected by air movement from outside the cabinet (drafts from other rooms, through walls, or outside the building).
 8 bars	Flame has been detected on a burner that is not going.	Shut the power to the CookSurface off at the wall, then shut off the gas supply to the CookSurface and call your Authorized Service Center or Customer Care.
 9 bars	The on/off power button is stuck.	Call your Authorized Service Center or Customer Care.
 10 bars	There is a pan support malfunction.	Call your Authorized Service Center or Customer Care.
 11 bars	There is a gas valve control malfunction.	Call your Authorized Service Center or Customer Care.
 12 bars	Electronics malfunction for the whole CookSurface.	Call your Authorized Service Center or Customer Care.

Before you call for service or assistance ...

Check the things you can do yourself. Refer to the installation instructions and your user guide and check that:

- 1 your product is correctly installed
- 2 you are familiar with its normal operation.

If after checking these points you still need assistance or parts, please refer to the Service & Warranty book for warranty details and your nearest Authorized Service Center, Customer Care, or contact us through our local website listed on the back cover.

Contact details

A Service Summary is attached to the underside of the product.

For replacement parts or if further help is needed concerning this appliance call:

Toll Free 1 888 9 FNP USA (1 888 936 7872)

or write to:

Fisher & Paykel Appliances Inc.
5900 Skylab Road
Huntington Beach, CA 92647
USA

or contact us through our web site, www.fisherpaykel.com

Product details

Fisher & Paykel Ltd

Model _____ Serial No. _____

Date of Purchase _____ Purchaser _____

Dealer _____ Suburb _____

Town _____ Country _____

⚠ MISE EN GARDE!

Le fait de ne pas suivre toutes les instructions de ce manuel peut provoquer un feu ou une explosion causant des dommages matériels, des blessures ou la mort.

Ne rangez et n'utilisez pas de l'essence ou d'autres liquides et vapeurs inflammables à proximité de cet appareil ou de tout autre appareil.

N'utilisez JAMAIS cet appareil pour chauffer une pièce. Le non-respect de cette consigne peut causer un empoisonnement au monoxyde de carbone et une surchauffe de l'appareil.

QUE FAIRE SI VOUS DÉCELEZ UNE ODEUR DE GAZ

- Ne tentez d'allumer aucun appareil.
- Ne touchez à aucun interrupteur électrique.
- N'utilisez aucun téléphone dans l'édifice.
- Appelez immédiatement votre fournisseur de gaz en utilisant le téléphone d'un voisin. Suivez les consignes du fournisseur de gaz.
- S'il vous est impossible de joindre votre fournisseur de gaz, appelez le service d'incendie.

L'installation et l'entretien doivent être effectués par un installateur ou un technicien qualifié, ou par un employé de votre fournisseur de gaz.

Introduction	29
Consignes de sécurité et mises en garde	30
Utilisation de votre surface de cuisson	34
Recommandations pour la cuisson	37
Entretien et nettoyage	40
Réglages de préférence sonore	44
Dépannage	46
Codes d'erreur	48
Garantie et réparation	51

Important!

CONSERVEZ CES INSTRUCTIONS

Les modèles illustrés dans ce document peuvent ne pas être offerts par tous les détaillants et sont sujets à modifications sans préavis. Pour les plus récentes informations sur la disponibilité des modèles et des caractéristiques dans votre pays, veuillez visiter notre site Web local à l'adresse indiquée sur la couverture arrière, ou contacter votre détaillant Fisher & Paykel local.

Présentation de votre surface de cuisson

Nous vous félicitons pour ce nouvel achat. La CookSurface de Fisher & Paykel représente le summum en matière de surface de cuisson au gaz. Elle vous offre le rendement optimal du gaz, la précision et la simplicité d'utilisation des réglages électroniques et l'élégance d'une surface en verre céramique facile d'entretien.

Votre surface de cuisson propose une multitude de caractéristiques, incluant un système de sécurité constant pour les flammes des brûleurs, des options de refroidissement automatique, des témoins d'avertissement de température élevée, une interface électronique pour afficher les informations et des haut-parleurs intégrés servant à émettre les signaux sonores.

Avant d'utiliser votre surface de cuisson

- Assurez-vous que l'installateur a pris le temps de remplir la liste de vérification dans les instructions d'installation.
- Lisez ce guide en portant une attention particulière à la section 'Consignes de sécurité et mises en garde'.
- Une étiquette amovible résistant à la chaleur est apposée sur le verre pour servir de guide de référence. Vous pourrez la retirer facilement lorsque vous n'en aurez plus besoin.

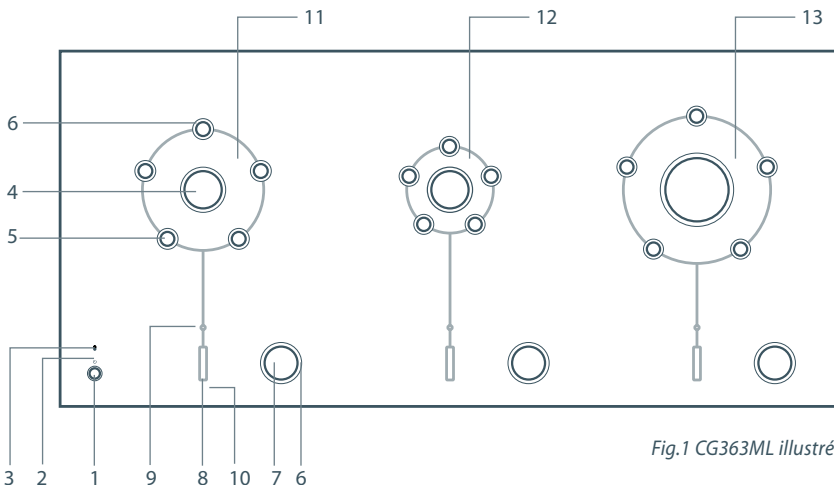


Fig.1 CG363ML illustré

- | | | | |
|----------------------------|-------------------------------------|----|--|
| 1 | Touche d'alimentation On/Off | 8 | Afficheur de commande |
| 2 | Témoin d'alimentation On/Off | 9 | Témoin d'activation du brûleur |
| 3 | Témoin de verrouillage des réglages | 10 | Témoin d'avertissement de température élevée |
| <i>Supports de poêle :</i> | | | |
| 4 | Tête de brûleur | 11 | Brûleur Aero™ de moyenne taille |
| 5 | Pièces d'appui | 12 | Brûleur Aero™ de petite taille |
| 6 | Anneaux de finition | 13 | Brûleur Aero™ pour wok |
| 7 | Bouton de réglage | | |

Consignes de sécurité et mises en garde

Votre sécurité est importante pour nous. Veuillez lire ces informations avant d'utiliser votre surface de cuisson.

⚠ MISE EN GARDE!



Risque d'explosion

N'essayez pas d'éteindre les feux de friture avec de l'eau. Cela pourrait causer une explosion de vapeur violente. Éteufez le feu ou la flamme, ou utilisez un extincteur à poudre ou à mousse.

N'utilisez pas cet appareil pour chauffer des contenants alimentaires fermés, comme des boîtes de conserve. Le contenant pourrait exploser et causer des blessures.

Ne rangez pas de matière inflammable telle que l'essence à proximité de cet appareil.

Ne vaporisez pas de produits en aérosol à proximité de cet appareil pendant qu'il fonctionne.

Le non-respect de cette consigne peut entraîner la mort ou des blessures.

⚠ MISE EN GARDE!



Risque d'empoisonnement

Nettoyez l'appareil avec prudence. Lorsque vous utilisez une éponge ou un chiffon humide pour essuyer des déversements sur une surface de cuisson chaude, veillez à ce que la vapeur ne puisse pas vous brûler. Certains produits nettoyants peuvent produire des vapeurs nocives lorsqu'ils sont appliqués sur une surface chaude.

N'utilisez jamais cet appareil pour chauffer une pièce. Il pourrait causer un empoisonnement au monoxyde de carbone et surchauffer.

Le non-respect de cette consigne peut entraîner un empoisonnement ou la mort.

⚠ MISE EN GARDE!



Risque de choc électrique

Si la surface venait à craquer, coupez l'alimentation de l'appareil à la prise électrique pour réduire les risques de choc électrique. Appelez un Centre de service autorisé ou l'Assistance à la clientèle.

Le fait de ne pas se conformer à ces instructions peut entraîner un choc électrique.

⚠ MISE EN GARDE!**Risque de choc électrique**

Avant de procéder à l'entretien, débranchez l'appareil de la prise électrique et coupez l'alimentation en gaz au robinet d'arrêt.

Cet appareil est équipé d'une fiche à trois broches avec mise à la terre pour vous protéger des chocs électriques. Branchez-la directement dans une prise électrique avec mise à la terre adéquate. Vous ne devez en aucune circonstance couper ou retirer la broche de mise à la terre de cette fiche.

Le fait de ne pas se conformer à ces instructions peut entraîner un choc électrique.

⚠ MISE EN GARDE!**Risque de surface brûlante**

Ne touchez pas les brûleurs ou les zones à proximité des brûleurs. Les brûleurs peuvent être chauds même s'ils sont d'une couleur foncée. Les brûleurs et les zones à proximité peuvent atteindre une température suffisamment élevée pour causer des brûlures. Pour réduire les risques de brûlure et/ou d'incendie, éloignez les vêtements amples, les gants de cuisine ou toute autre matière inflammable de la flamme du brûleur. Ne laissez pas les vêtements, gants de cuisine et autres matières inflammables entrer en contact avec les brûleurs ou les zones à proximité, et ne les touchez pas avant qu'ils aient eu le temps de refroidir. Parmi les zones à proximité, évitez de toucher l'intérieur des cercles entourant les brûleurs, incluant les pièces d'appui.

Utilisez toujours un gant de cuisine sec pour retirer les ustensiles de cuisson de l'appareil. N'utilisez pas de gant de cuisine humide ou mouillé car la vapeur pourrait causer des brûlures. N'utilisez pas de serviettes ou de linges semblables pour retirer les ustensiles de cuisson.

Ne laissez pas les enfants seuls ou sans surveillance à proximité de l'appareil. Ne laissez jamais les enfants se tenir, s'asseoir ou jouer à proximité de l'appareil ou sur celui-ci.

Soyez prudent lorsque vous devez prendre des objets rangés dans une armoire située au-dessus de l'appareil. Les matières inflammables peuvent s'enflammer au contact d'une flamme ou des surfaces brûlantes et causer des brûlures graves.

Le non-respect de cette consigne peut causer des brûlures et ébouillantages.

Consignes de sécurité importantes!

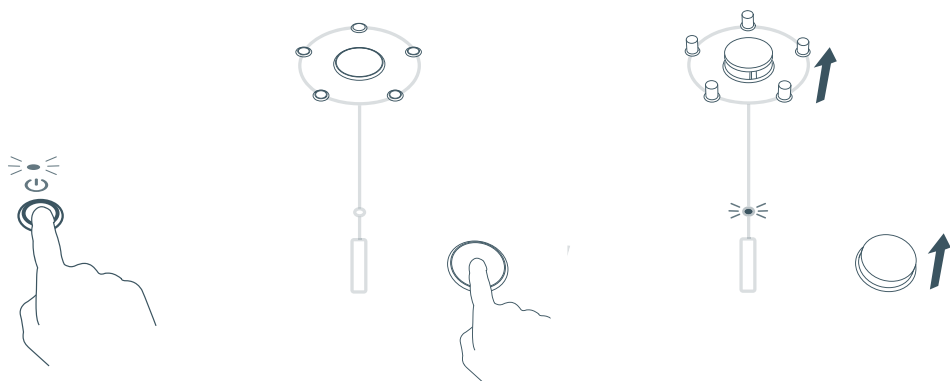
- *Veillez à ce que votre produit soit correctement installé et mis à la terre par un installateur qualifié, en suivant les instructions d'installation.*
- *Assurez-vous qu'un robinet d'arrêt de gaz manuel soit installé dans un emplacement accessible après l'installation.*
- *Demandez à l'installateur de vous expliquer comment couper l'alimentation en gaz et l'alimentation électrique.*
- *Utilisez cet appareil aux fins prévues dans ce guide de l'utilisateur.*
- *Cet appareil ne peut pas fonctionner pendant les pannes d'électricité. Ne tentez pas d'utiliser cet appareil pendant les pannes d'électricité.*
- *Portez des vêtements convenables. Ne portez pas de vêtements amples ou pendants lorsque vous utilisez cet appareil.*
- *Tournez les poignées des poêles et casseroles sur le côté ou vers l'arrière de l'appareil pour qu'elles soient hors de la portée des enfants. Les poignées ne doivent pas être placées au-dessus des brûleurs adjacents.*
- *Vérifiez toujours si les brûleurs sont éteints après avoir terminé la cuisson.*
- *Ne laissez jamais l'appareil sans surveillance pendant l'utilisation. Les débordements produisent de la fumée et des déversements de matières grasses qui peuvent s'enflammer.*
- *Avant d'utiliser l'appareil, assurez-vous que tous les brûleurs sont assemblés correctement.*
- *N'utilisez pas un brûleur dont les pièces ne sont pas toutes installées.*
- *Gardez tous les revêtements muraux inflammables, les rideaux et les stores à une distance sûre de l'appareil.*
- *Pour votre sécurité, la taille de la flamme du brûleur doit être ajustée de manière à ce qu'elle ne dépasse pas le rebord des ustensiles de cuisson.*
- *Utilisez des ustensiles dont la taille et la conception conviennent au type de cuisson. Cet appareil est équipé de brûleurs de différentes tailles. Les dimensions des ustensiles doivent correspondre à la taille des brûleurs. Utilisez des ustensiles à fond plat suffisamment larges pour couvrir les flammes de brûleur. L'utilisation d'ustensiles de trop petite taille vous expose à une partie des flammes, qui risquent alors d'enflammer vos vêtements. En outre, l'utilisation d'ustensiles adaptés au brûleur améliore le rendement de l'appareil.*
- *Nous recommandons de soulever les pièces d'appui avant de placer une poêle sur elles (les pièces d'appui ne sont pas principalement conçues pour soulever les poêles).*
- *Ne montez pas sur cet appareil.*
- *Pour votre sécurité, ne rangez pas d'articles pouvant attirer les enfants au-dessus de la surface de cuisson ou derrière celle-ci. Les enfants pourraient se blesser sérieusement en grimpant sur l'appareil pour atteindre ces articles.*
- *Lors de la friture dans les matières grasses, assurez-vous d'utiliser une poêle suffisamment grande pour éviter tout débordement dû à l'ébullition des matières grasses. Ne faites pas frire les aliments très humides ou recouverts de givre.*
- *Ne laissez pas les graisses de cuisson ou autres matières inflammables s'accumuler à proximité de l'appareil.*
- *Ne réparez ou remplacez aucune pièce de cet appareil, à moins que ce ne soit spécifiquement recommandé dans le présent guide de l'utilisateur. Tous les autres travaux doivent être confiés à un technicien qualifié.*

Consignes de sécurité importantes!

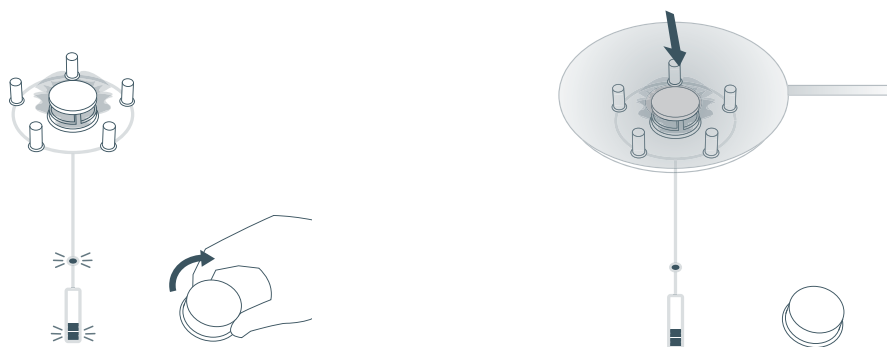
- *Ustensiles de cuisson émaillés - seuls certains types d'ustensiles en verre, verre/céramique, terre cuite ou autres matériaux émaillés peuvent être utilisés sur la surface de cuisson sans risquer d'être endommagés par les changements de température soudains.*
- *N'obstruez pas la circulation d'air de combustion ou de ventilation de l'appareil.*
- *Le Gouverneur de la Californie a l'obligation de publier une liste des substances reconnues par l'État de la Californie comme étant cancérigènes ou sources d'anomalies congénitales. Les entreprises doivent avertir les consommateurs de la possibilité d'une exposition à de telles substances.*

***MISE EN GARDE!** : Les appareils fonctionnant au gaz contiennent ou produisent des substances qui peuvent causer la mort ou des maladies graves. Ces substances sont reconnues par l'État de la Californie comme étant cancérigènes, sources d'anomalies congénitales ou nuisibles à la reproduction. Pour minimiser la présence de substances dans le combustible ou la production de substances résultant de la combustion, veillez à ce que cet appareil soit installé, utilisé et entretenu en suivant les instructions du fabricant.*

Utilisation de la surface de cuisson



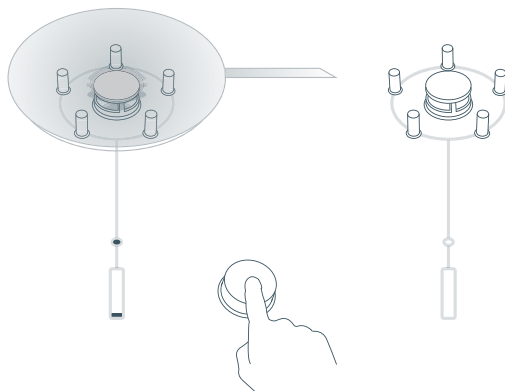
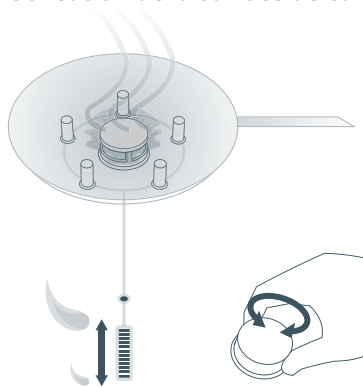
- 1 Appuyez sur la touche d'alimentation On/Off.
- 2 Appuyez sur le bouton de réglage. L'appareil émettra un signal sonore.
- 3 Le bouton et les pièces d'appui s'élèveront. Le témoin d'activation du brûleur s'allumera pendant quatre secondes.



- 4 Une fois le témoin d'activation du brûleur allumé, tournez le bouton de réglage dans le sens des aiguilles d'une montre pour allumer le brûleur.
- 5 Placez votre poêle sur les pièces d'appui.

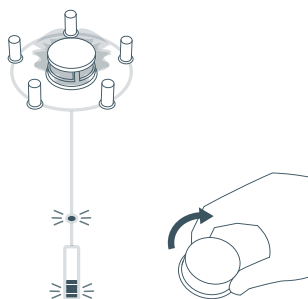
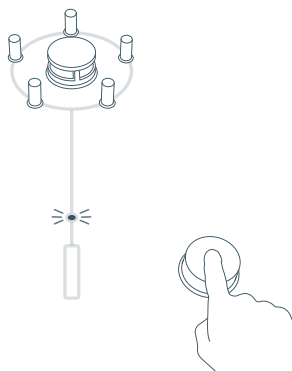
Remarque : si le témoin d'activation s'éteint avant que vous n'allumiez le brûleur, appuyez à nouveau sur le bouton de réglage.

Utilisation de la surface de cuisson



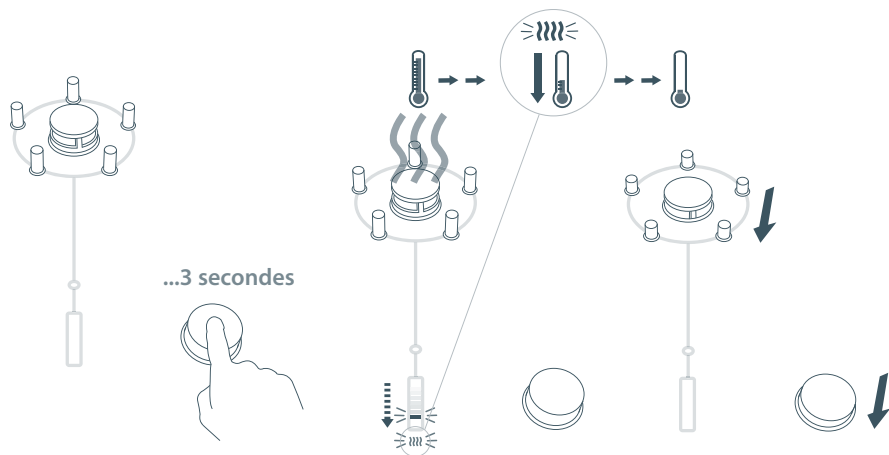
- 6 Tournez le bouton pour régler la flamme avec précision.
- Remarque : la flamme ne s'éteint pas lorsque vous tournez le bouton vers la gauche.

- 7 Pour arrêter la cuisson, appuyez sur le bouton de réglage. L'alimentation en gaz sera coupée, mais les pièces d'appui demeureront en position haute. Le témoin d'avertissement de température élevée s'allumera si les pièces sont chaudes.



- 8a Pour rallumer le brûleur pendant que les pièces d'appui sont en position haute :
- Appuyez sur le bouton de réglage. Le témoin d'activation du brûleur s'allumera pendant quatre secondes.
 - Une fois le témoin d'activation du brûleur allumé, tournez le bouton de réglage dans le sens des aiguilles d'une montre pour allumer le brûleur.

Utilisation de votre surface de cuisson

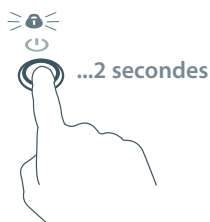


- 8b** Pour abaisser automatiquement les pièces d'appui après avoir terminé la cuisson, maintenez le bouton enfoncé pendant trois secondes alors que le brûleur est allumé. La flamme s'éteindra et les pièces d'appui s'abaisseront si elles ont suffisamment refroidi.

Lorsque les pièces d'appui sont chaudes, le témoin d'avertissement de température élevée s'allume et l'afficheur de commande affiche une séquence de témoins descendants jusqu'à ce que le brûleur soit refroidi. Cela peut prendre de 30 secondes à 30 minutes, selon le réglage de la flamme et la durée d'utilisation du brûleur. Une fois refroidies, les pièces d'appui s'abaisseront automatiquement.

Pour éteindre la surface de cuisson, appuyez sur la touche d'alimentation On/Off. Remarque : si un brûleur doit refroidir, le témoin d'avertissement de température élevée s'allumera. Une fois refroidi, le brûleur s'abaissera automatiquement et la surface de cuisson s'éteindra.

Verrouillage des réglages



La fonction de verrouillage permet d'éviter que les enfants puissent utiliser les réglages. Vous pouvez activer le verrouillage des réglages uniquement lorsque les brûleurs sont éteints. Pour activer le verrouillage des réglages, maintenez la touche d'alimentation On/Off enfoncée pendant deux secondes. Un signal sonore sera audible et le témoin de verrouillage s'allumera. Pour désactiver le verrouillage des réglages, maintenez la touche d'alimentation On/Off enfoncée pendant deux secondes. Un signal sonore sera audible et le témoin de verrouillage s'éteindra.

Important!

- *Pour éviter d'égratigner le verre, n'utilisez pas de poêles ébréchées et ne glissez pas les poêles sur la surface en verre céramique.*
- *Ne glissez pas les poêles vers l'avant et l'arrière sur les pièces d'appui, les têtes de brûleur et les anneaux de finition, comme par exemple, au moment de placer et retirer les poêles ou de sauter des aliments, car vous pourriez endommager ces composantes, et plus particulièrement le revêtement des pièces d'appui.*

Conseils pour la cuisson

- Utilisez des poêles dont le diamètre correspond à la taille du brûleur. Il est possible que vous deviez changer de brûleur pendant la cuisson car chaque brûleur Aero™ passe d'une intensité très élevée à une intensité très faible.
- Pour de meilleurs résultats, utilisez des poêles de haute qualité munies d'un fond plat et épais.
- Utilisez seulement la quantité d'eau nécessaire pour couvrir les aliments lors de la cuisson par ébullition, et placez un couvercle sur la poêle pour réduire le temps de cuisson et économiser de l'énergie.
- Pour le brûleur de petite taille, le diamètre des poêles doit être d'au moins 4 po (10 cm).
- Pour le brûleur de moyenne taille, le diamètre des poêles doit être d'au moins 6 po (15 cm).
- Pour le brûleur de wok, le diamètre des poêles doit être d'au moins 7 po (18 cm). Le diamètre des woks ne doit pas dépasser 16 po (40 cm). Veillez à ce que votre wok soit correctement installé sur le support de wok.

Utilisation des caractéristiques spéciales de votre surface de cuisson

Les brûleurs Aero™ de votre surface de cuisson offrent une polyvalence et une précision exceptionnelles pour une multitude de réglages. Vous n'avez qu'à tourner le bouton pour bénéficier d'un contrôle précis sur la flamme. Une fois que vous aurez trouvé le réglage de cuisson convenant le mieux, vous pourrez réutiliser ce même réglage pour obtenir une cuisson identique.

Pour faire mijoter les aliments, garder les aliments au chaud ou faire cuire le riz

- Le réglage inférieur des petits brûleurs Aero™ est parfait pour les cuissons délicates et pour garder les aliments au chaud. Expérimentez avec les réglages inférieurs afin de trouver celui qui convient le mieux à vos poêles et aux aliments cuits.
- Les aliments sont mijotés sous le point d'ébullition, à environ 185 °F (85 °C), lorsque les bulles remontent occasionnellement à la surface du liquide de cuisson. Ce type de cuisson est idéal pour préparer des soupes délicieuses et des ragoûts tendres car il permet aux saveurs de se propager sans cuire les aliments de façon excessive. Vous devez également cuire les sauces aux œufs et les sauces épaissies à la farine sous le point d'ébullition.
- Certaines tâches, telles que la cuisson du riz avec la méthode par absorption, peuvent nécessiter un réglage plus élevé pour permettre aux aliments de cuire convenablement pendant la durée recommandée.

Grillage des steaks

Pour cuire des steaks juteux et savoureux :

- 1 Laissez la viande à la température de la pièce pendant environ 20 minutes avant de la faire cuire.
- 2 Faites chauffer une poêle à fond épais.
- 3 Appliquez de l'huile sur les deux côtés du steak. Appliquez une petite quantité d'huile dans la poêle chaude puis déposez la viande dans cette dernière.
- 4 Retournez le steak une seule fois pendant la cuisson. La durée de cuisson exacte dépend de l'épaisseur du steak et de la cuisson souhaitée. La durée peut varier de 2 à 8 minutes par côté. Appuyez sur le steak pour vérifier le niveau de cuisson – plus il est ferme, plus il sera 'bien cuit'.
- 5 Déposez le steak dans une assiette tiède pendant quelques minutes pour l'attendrir avant de le servir.

Utilisation d'un wok

Important!

- *Utilisez votre wok uniquement sur le brûleur pour wok.*
- *Servez-vous toujours du support de wok.*
- *Assurez-vous que le support de wok est correctement installé sur les pièces d'appui relevées. (voir Fig.2)*
- *N'utilisez pas de wok dont le diamètre est supérieur à 16 po (40 cm). Veillez à ce que votre wok soit correctement soutenu par le support de wok.*
- *Assurez-vous que le wok ne pousse pas les autres poêles, car cela pourrait les rendre instables ou faire dévier la chaleur sur les murs ou le comptoir à proximité.*

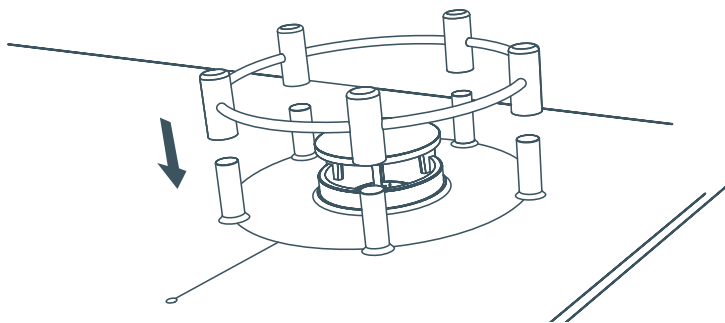


Fig.2 Le support de wok s'installe sur les pièces d'appui relevées du brûleur pour wok

Pour faire un sauté

- 1 Préparez tous les ingrédients et équipements nécessaires. Le sauté doit se faire rapidement. Pour sauter une grande quantité d'aliments, faites cuire plusieurs quantités plus petites.
- 2 Préchauffez le wok pendant environ une minute avec le brûleur réglé sur un niveau suffisamment élevé pour chauffer les parois du wok. (Si votre wok est de petite taille ou muni d'un fond mince, vous n'aurez peut-être pas à régler le brûleur sur le niveau le plus élevé.)
- 3 Appliquez deux cuillerées à table d'huile dans le contour des parois du wok chauffé pour permettre à l'huile de s'écouler jusqu'au fond.
- 4 Faites cuire la viande en premier, puis mettez-la de côté en veillant à la garder au chaud.
- 5 Faites sauter les légumes. Lorsqu'ils seront chauds mais toujours croquants, vous pourrez régler le brûleur sur un niveau faible, remettre la viande dans le wok et ajouter votre sauce.
- 6 Remuez doucement les ingrédients pour qu'ils soient bien cuits.
- 7 Servez immédiatement.

Votre surface de cuisson a été conçue pour combiner la facilité d'entretien du verre céramique et le rendement optimal du gaz.

Important!

- *Lisez attentivement les sections 'Consignes de sécurité et mises en garde' et 'Entretien et nettoyage' avant d'effectuer toute tâche de nettoyage ou d'entretien.*
- *Pour réduire les risques de choc électrique ou éviter d'activer accidentellement les brûleurs pendant le nettoyage, commencez par appuyer sur la touche d'alimentation On/Off pour éteindre la surface de cuisson.*
- *Veillez noter que la surface de cuisson devra être remise en marche pour élever ou abaisser les pièces d'appui. Consultez les instructions de nettoyage spécifiques dans les pages suivantes.*

Pour garder votre surface de cuisson en bon état, suivez les recommandations dans le tableau ci-dessous :

Quand	Quoi faire	Important!
Immédiatement	Nettoyez les déversements d'aliments sucrés ou les produits fondus sur le verre céramique. Voir 'Produits fondus et déversements nécessitant une attention immédiate' pour les instructions.	Veillez à ne pas égratigner le verre ou endommager les anneaux de fondition et les pièces d'appui. Faites preuve de beaucoup de prudence lorsque vous nettoyez le contour des surfaces brûlantes.
Après chaque utilisation	Gardez les pièces d'appui propres pour vous assurer qu'elles pourront s'élever et s'abaisser correctement pendant l'utilisation. Voir 'Nettoyage des supports de poêle (pièces d'appui et têtes de brûleur)'. Abaissez les pièces d'appui refroidies et propres, puis nettoyez la surface de cuisson avec une solution diluée de détergent et un chiffon doux et humide. Voir 'Nettoyage du verre céramique' pour plus d'informations et les instructions.	Nettoyez toujours les pièces d'appui avant de les abaisser. Ne laissez pas les déversements et les taches brûler sur le verre ou les pièces d'appui. N'utilisez pas d'éponges abrasives, de tampons à recurer en nylon robustes ou inappropriés, ou de nettoyeurs corrosifs tels que des vaporisateurs de four et des produits détachants.
À chaque six mois	Assurez-vous que la circulation d'air au travers du filtre à air (en dessous de votre surface de cuisson) et de la grille d'admission d'air (installée à la base de votre cabinet) n'est pas bloquée ou compromise par une accumulation de poussière ou de saletés, par exemple. Nettoyez le filtre et la grille avec une petite brosse, si nécessaire.	
À chaque année	Vérifiez si le tuyau de raccordement du gaz présente des signes d'abrasion, des plis ou tout autre dommage.	Si vous n'êtes pas certain de l'état du tuyau de raccordement du gaz, contactez un Centre de service autorisé ou l'Assistance à la clientèle.

Produits fondus et déversements nécessitant une attention immédiate

Les produits fondus sur la surface en verre céramique ou les déversements d'aliments à teneur élevée en sucre peuvent endommager la surface si vous les laissez refroidir. En faisant preuve de beaucoup de prudence, nettoyez immédiatement les déversements en utilisant une pelle à poisson, une palette ou un grattoir de surface de cuisson. Soyez prudent pendant le nettoyage des surfaces chaudes et veillez à ne pas égratigner le verre ou endommager les anneaux de finition ou pièces d'appui. Voici quelques exemples de produits fondus et de déversements nécessitant une attention immédiate :

- pellicule plastique fondue
- papier d'aluminium fondu
- sucre, sirops sucrés, confitures et gelées
- légumes et eau de légume à teneur élevée en sucre, comme les pois, le maïs sucré et les betteraves.

Nettoyage du verre céramique

Pour de meilleurs résultats, ne laissez pas les déversements et les taches brûler sur le verre céramique. Nettoyez la surface de cuisson après chaque utilisation. Abaissez simplement les pièces d'appui refroidies et les boutons de réglage, puis essuyez la surface de cuisson avec une solution diluée de détergent et un chiffon doux et humide. Un chiffon microfibre est idéal pour cette tâche. La plupart des saletés sont très faciles à nettoyer car le verre ne devient pas aussi chaud que les surfaces de cuisson en verre céramique électriques. Nettoyez les taches tenaces à l'aide d'un chiffon savonneux.

Nettoyant de surface de cuisson en céramique

Un nettoyant de surface de cuisson en céramique peut être utilisé pour faire disparaître les taches tenaces. Suivez les instructions sur le contenant. Si vous devez utiliser un grattoir à lame, assurez-vous de ne pas endommager les anneaux de finition.

Important!

Si le nettoyant de surface de cuisson laisse des résidus sur les anneaux de finition, ces résidus pourraient bloquer les pièces d'appui, les boutons de réglage et la touche d'alimentation. Essayez le contour des anneaux de finition en veillant à ne pas passer sur ceux-ci.

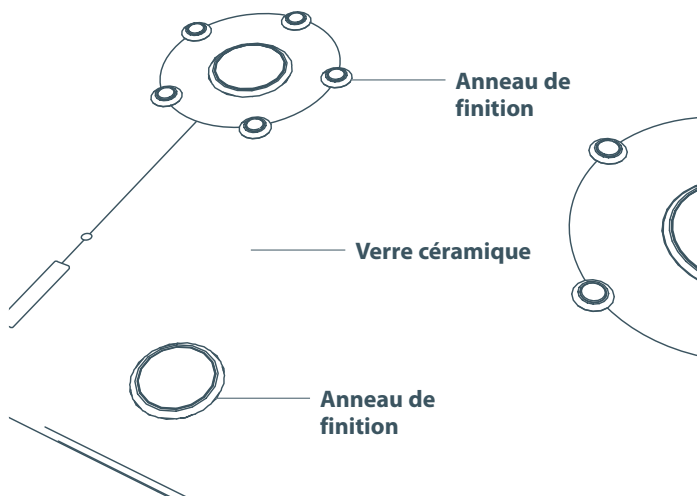


Fig.3 Nettoyage de la surface de cuisson

Nettoyage des supports de poêle (pièces d'appui et tête de brûleur)

Important!

- *Ne lavez pas les pièces d'appui dans un lave-vaisselle et n'utilisez pas de détergent à lave-vaisselle pour nettoyer ces composantes car vous pourriez endommager leur revêtement facile à nettoyer.*
- *Chaque fois que vous réinstallez un brûleur, abaissez-le avant d'utiliser la surface de cuisson pour vérifier s'il est installé correctement.*

Si des aliments sont brûlés sur les pièces d'appui, il est possible qu'elles ne puissent plus s'abaisser lorsque vous maintiendrez le bouton de réglage enfoncé pendant deux secondes. Il ne s'agit pas d'un problème de fonctionnement. Vous devez les retirer pour les nettoyer.

Pour nettoyer les pièces d'appui

- 1 Appuyez sur la touche d'alimentation On/Off pour allumer la surface de cuisson.
- 2 Appuyez sur le bouton de réglage pour élever les pièces d'appui.
- 3 Appuyez sur la touche d'alimentation On/Off pour éteindre la surface de cuisson.
- 4 Tirez doucement sur les pièces d'appui pour les retirer vers le haut. Si des aliments sont brûlés sur les pièces et le verre céramique, il peut être nécessaire de faire pivoter légèrement les pièces pour les retirer.
- 5 Faites tremper les pièces dans de l'eau tiède avec une petite quantité de détergent pour lavage de la vaisselle à la main, ou tout autre détergent doux. Les pièces possèdent un revêtement facile à nettoyer. Les nettoyeurs puissants ou abrasifs ne doivent pas être utilisés car ils pourraient endommager ce revêtement.
- 6 Essuyez les pièces avec un chiffon doux et laissez-les sécher complètement.
- 7 Prenez soin de réinstaller correctement toutes les pièces.
- 8 Appuyez doucement sur les pièces pour les fixer en position.

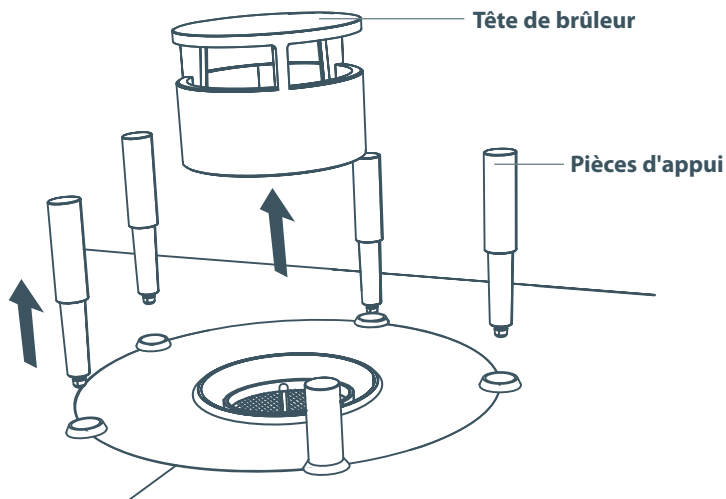


Fig.4 Retrait des pièces d'appui

Pour nettoyer la tête du brûleur

- 1 Soulevez la tête du brûleur et nettoyez-la avec un chiffon ou un tampon à récurer. Comme le brûleur devient bien plus chaud que les pièces d'appui, il ne dispose pas d'un revêtement facile à nettoyer. Si des éclaboussures ou des déversements de cuisson ont brûlé sur la tête du brûleur, frottez-les avec un nettoyant légèrement abrasif et un chiffon doux. Les nettoyants pour surface de cuisson en céramique peuvent être utilisés pour cette tâche.
- 2 Remettez la tête du brûleur en place.
- 3 Appuyez sur la touche d'alimentation On/Off pour allumer la surface de cuisson.
- 4 Abaissez les pièces d'appui avant d'utiliser l'appareil pour vous assurer qu'elles sont réinstallées correctement (voir Fig. 4).

Si des déversements ou aliments brûlés bloquent les pièces d'appui en position basse, nettoyez les déversements avec un chiffon savonneux doux et humide, et retirez les aliments.

Nettoyage de la touche d'alimentation On/Off et des boutons de réglage

Essuyez ces pièces avec un chiffon doux et une solution diluée de détergent. Vous pouvez retirer les boutons de réglage en les tirant vers le haut. Lors de la réinstallation des boutons, assurez-vous de les placer dans le bon sens.

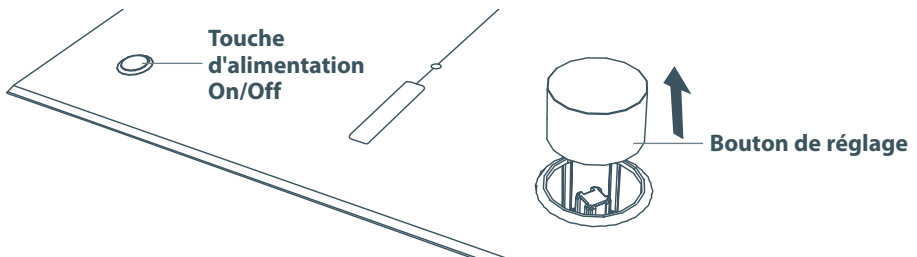


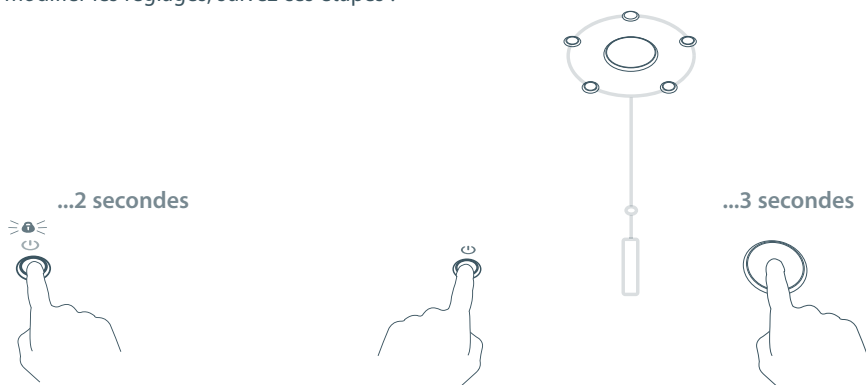
Fig.5 Retirez les boutons de réglage en les tirant vers le haut.

Réglages de préférence sonore

La surface de cuisson propose trois réglages de préférence sonore prédéfinis (signaux sonores, volume sonore, signaux d'activité).

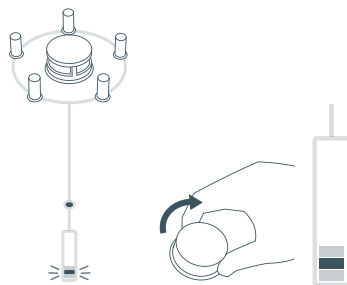
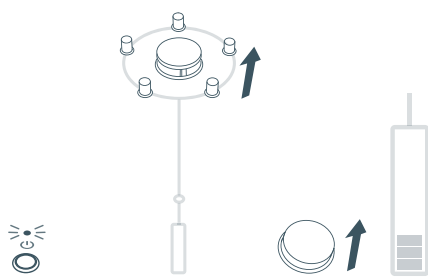
Modification des réglages

Pour modifier les réglages, suivez ces étapes :



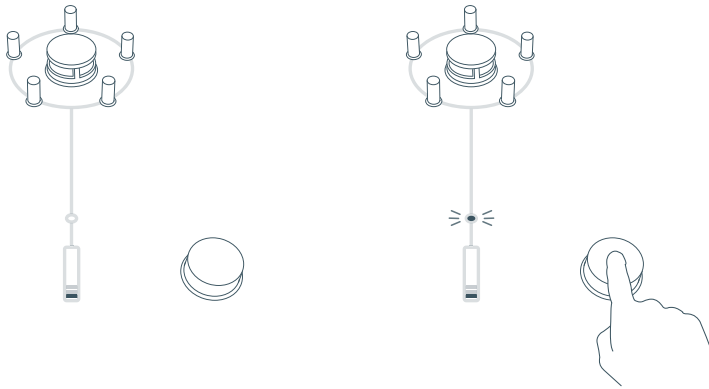
- 1 Maintenez la touche d'alimentation On/Off enfoncée pendant deux secondes pour activer le verrouillage des réglages.

- 2 Appuyez fermement sur la touche d'alimentation On/Off et le bouton de réglage du brûleur le plus près pendant trois secondes.



- Lorsque vous accédez au **mode de préférence sonore**, le témoin d'alimentation On/Off clignotera à chaque seconde et les pièces d'appui des brûleurs s'élèveront. Le témoin de verrouillage des réglages s'éteindra. Tournez le bouton de réglage dans le sens des aiguilles d'une montre pour sélectionner le premier réglage. Les deux autres témoins sonores et réglage

- 3 Chaque réglage propose deux options (**voir tableau ci-dessous**). Tournez le bouton pour sélectionner chaque réglage.



- 4 Touchez le bouton de réglage pour modifier le réglage sélectionné. Le témoin d'activation du brûleur s'allumera ou s'éteindra, selon l'option sélectionnée.

Pour revenir à l'option précédente, touchez le bouton à nouveau.

Réglages sonores	Option par défaut	Autre option
1 SIGNAUX SONORES <i>(Vous pouvez activer ou désactiver les signaux sonores de la surface de cuisson.)</i>	ACTIVÉS 	DÉSACTIVÉS
2 VOLUME SONORE <i>(Vous pouvez modifier le volume des signaux sonores de la surface de cuisson, de normal à silencieux.)</i>	NORMAL 	SILENCIEUX
3 SIGNAUX D'ACTIVITÉ <i>(Vous pouvez activer ou désactiver les signaux d'activité pour les réglages élevé/faible de la flamme et le déplacement du brûleur.)</i>	ACTIVÉS 	DÉSACTIVÉS

- 5 Pour mémoriser le(s) réglage(s) sélectionné(s) et éteindre la surface de cuisson, appuyez sur la touche d'alimentation On/Off.



Tableau de dépannage

Problème	Causes possibles	Solution
Les pièces d'appui ne s'élèvent pas.	L'appareil n'est pas allumé.	Mettez la surface de cuisson en marche.
Les pièces d'appui, la touche d'alimentation On/Off ou les boutons de réglage sont bloqués.	Des aliments ont été renversés sur ces composantes.	Voir 'Entretien et nettoyage'.
La flamme est extrêmement jaune ou irrégulière.	Le brûleur n'a pas été réinstallé correctement après le nettoyage.	Réinstallez le brûleur correctement (voir 'Entretien et nettoyage').
	Des aliments ont été renversés sur la grille en dessous de la tête du brûleur.	Appelez un Centre de service autorisé ou l'Assistance à la clientèle.
	Si vous utilisez du gaz en bouteille, il se peut que la bouteille soit pratiquement vide.	Vérifiez le niveau de votre bouteille de gaz.
Un brûleur ne s'allume pas.	Il n'y a plus de gaz.	Faites remplir votre bouteille de gaz ou vérifiez le raccord d'alimentation en gaz.
	Des aliments ont été renversés sur l'allumeur.	Appelez un Centre de service autorisé ou l'Assistance à la clientèle.
	Le brûleur n'a pas été réinstallé correctement après le nettoyage.	Réinstallez le brûleur correctement (voir 'Entretien et nettoyage').
La flamme s'éteint lorsque le réglage inférieur est sélectionné.	Il n'y a plus de gaz.	Faites remplir votre bouteille de gaz ou vérifiez le raccord d'alimentation en gaz.
	Un déplacement d'air causé par l'ouverture/la fermeture des portes d'armoire éteint la flamme.	Cela peut se produire lorsqu'un réglage de température faible est sélectionné. Le brûleur se rallumera.
	Des courants d'air éteignent la flamme.	Veillez à ce qu'il n'y ait aucun courant d'air. Si le problème persiste, appelez un Centre de service autorisé ou l'Assistance à la clientèle.
	Le réglage inférieur de la flamme est trop faible.	Appelez un Centre de service autorisé ou l'Assistance à la clientèle.
Les pièces d'appui s'élèvent et s'abaissent lentement et en produisant du bruit.	Des aliments ont été renversés sur ces composantes.	Nettoyez les pièces d'appui (voir 'Entretien et nettoyage').

Tableau de dépannage

Problème	Causes possibles	Solution
Il y a une odeur (de gaz) désagréable.	La surface de cuisson ne fonctionne pas correctement ou il peut y avoir une fuite de gaz.	Suivez les instructions fournies à l'intérieur de la couverture avant de ce manuel.
Il y a une panne d'électricité.		La surface de cuisson ne fonctionne pas sans alimentation électrique. Lorsqu'une panne d'électricité survient pendant que la surface de cuisson est allumée, l'alimentation en gaz est automatiquement coupée. La surface de cuisson restera éteinte lorsque l'électricité sera rétablie, mais elle sera prête à l'utilisation.
La surface de cuisson s'éteint soudainement. (Certains codes d'erreur peuvent ne pas avoir le temps de s'afficher.)	La surface de cuisson s'est éteinte pour éviter tout dommage.	Appelez un Centre de service autorisé ou l'Assistance à la clientèle. Pour de plus amples informations, et si des codes d'erreur sont affichés, consultez la section 'Codes d'erreur'.
	Il y a une panne d'électricité.	Voir problème ci-dessus.
La surface de cuisson émet des signaux sonores et clignote.	L'appareil vous indique qu'un problème doit être réglé.	Consultez la section 'Codes d'erreur'. Si vous ne parvenez pas à régler le problème après plusieurs tentatives, appelez un Centre de service autorisé ou l'Assistance à la clientèle.
Le témoin d'alimentation On/Off clignote trois fois de façon répétée et la surface de cuisson semble pouvoir fonctionner, mais aucune flamme ne s'allume.	La surface de cuisson est en mode 'Démonstration'.	Débranchez la surface de cuisson de la prise électrique. Attendez quelques secondes, puis remettez l'appareil en marche.

Votre surface de cuisson peut établir un autodiagnostic et vous communiquer cette information.

En cas de problème, la surface de cuisson :

- éteindra un ou tous les brûleur(s)
- émettra un bip sonore à chaque trois secondes
- fera clignoter un ou plusieurs témoin(s)
- affichera un code d'erreur sur un ou plusieurs afficheur(s) de commande. Lorsqu'un des brûleurs ne fonctionne pas correctement, un code d'erreur apparaît sur son afficheur de commande. Lorsque l'ensemble de la surface de cuisson ne fonctionne pas correctement, un code apparaît sur tous les afficheurs de commande (dans la plupart des cas).

Pour effacer le code d'erreur et régler le problème




- 1 Notez les informations du code d'erreur (brûleur(s) concerné(s) et nombre de barres affichées). Vous aurez besoin de ces informations.
- 2 Débranchez la surface de cuisson de la prise électrique.
- 3 Attendez 30 secondes, puis remettez la surface de cuisson en marche.
- 4 Consultez le tableau suivant pour voir si vous pouvez régler le problème.
- 5a Si vous parvenez à régler le problème et que le code d'erreur ne s'affiche plus, vous pouvez continuer à utiliser votre surface de cuisson.

OU







- 5b Si vous ne parvenez pas à régler le problème ou que le problème persiste, notez les informations du code d'erreur, éteignez votre surface de cuisson et appelez un Centre de service autorisé ou l'Assistance à la clientèle.

Remarque : lorsqu'un brûleur est chaud, la surface de cuisson attend qu'il refroidisse avant de s'éteindre.

Codes de brûleur individuel

Code d'erreur	Causes possibles	Solution
 2 barres	La poêle est trop lourde pour que les pièces d'appui puissent la soulever.	Enlevez la poêle, laissez les pièces d'appui s'élever, puis replacez la poêle sur les pièces.
	Les pièces d'appui sont bloquées en position basse par un déversement d'aliment.	Essayez de nettoyer le déversement à l'aide d'un chiffon savonneux doux et humide. Si vous ne parvenez pas à nettoyer le déversement, appelez un Centre de service autorisé ou l'Assistance à la clientèle.
 3 barres	Les pièces d'appui sont bloquées en position haute.	Nettoyez les pièces d'appui en vous reportant à la section 'Entretien et nettoyage'. Si les pièces d'appui ne s'abaissent pas après le nettoyage, appelez un Centre de service autorisé ou l'Assistance à la clientèle.
	Le brûleur a surchauffé de façon anormale. (Cela ne se produit qu'après une utilisation prolongée avec les températures maximales.)	Attendez que la surface de cuisson refroidisse. Vous pourrez recommencer à utiliser le brûleur lorsque le code disparaîtra.
 4 barres	Absence de gaz.	Vérifiez l'alimentation en gaz, puis éteignez et rallumez la surface de cuisson. Si après avoir vérifié l'alimentation en gaz, la surface de cuisson affiche toujours ce code, appelez un Centre de service autorisé.
	Vous venez de remplacer la bouteille de gaz.	Essayez de rallumer le brûleur de wok à quelques reprises (pour vous assurer que le gaz circule correctement dans le tuyau).
	Des courants d'air provenant d'une fenêtre ouverte ou d'un système de ventilation éteignent le brûleur lorsque vous utilisez les réglages de températures basses.	La surface de cuisson contrôle les brûleurs en permanence pour éviter que les flammes puissent s'éteindre, et elle les rallume lorsque nécessaire. Lorsque le système ne parvient pas à rallumer un brûleur, il coupe l'alimentation en gaz et affiche ce code. Appelez un Centre de service autorisé ou l'Assistance à la clientèle.
	Présence d'aliment sur l'allumeur.	Appelez un Centre de service autorisé ou l'Assistance à la clientèle.

Codes pour l'ensemble de la surface de cuisson

Code d'erreur	Causes possibles	Solution
 7 barres	Les brûleurs ne reçoivent pas suffisamment d'air.	Assurez-vous que <ul style="list-style-type: none">le dessous de la surface de cuisson dispose d'une ventilation donnant directement dans la pièce où l'appareil est installé.rien ne vient obstruer le filtre à air sous la surface de cuisson.la conduite d'aération de la surface de cuisson n'est pas affectée par les déplacements d'air à l'extérieur du cabinet (courants d'air provenant des autres pièces, des murs ou de l'extérieur de l'édifice).
 8 barres	Une flamme est détectée sur un brûleur qui n'est pas allumé.	Débranchez la surface de cuisson de la prise électrique, coupez l'alimentation en gaz à la surface de cuisson, puis appelez un Centre de service autorisé ou l'Assistance à la clientèle.
 9 barres	La touche d'alimentation On/Off est bloquée.	Appelez un Centre de service autorisé ou l'Assistance à la clientèle.
 10 barres	Une pièce d'appui ne fonctionne pas correctement.	Appelez un Centre de service autorisé ou l'Assistance à la clientèle.
 11 barres	Un robinet de gaz ne fonctionne pas correctement.	Appelez un Centre de service autorisé ou l'Assistance à la clientèle.
 12 barres	Le circuit électronique de l'ensemble de la surface de cuisson ne fonctionne pas correctement.	Appelez un Centre de service autorisé ou l'Assistance à la clientèle.

Avant d'appeler pour demander une réparation ou de l'assistance...

Vérifiez les points que vous pouvez contrôler vous-même. Consultez les instructions d'installation et le guide de l'utilisateur pour vous assurer que :

- 1 votre produit est installé correctement.
- 2 vous êtes familier avec son fonctionnement normal.

Si après la vérification de ces points, vous avez toujours besoin d'assistance ou d'une réparation, reportez-vous au livret de service et de garantie pour obtenir les détails sur la garantie et les coordonnées d'un Centre de service autorisé ou de l'Assistance à la clientèle, ou contactez-nous par l'entremise de notre site Web, à l'adresse indiquée sur la couverture arrière.

Pour nous contacter

Une étiquette d'information sur le service est apposée sous le produit.

Pour obtenir des pièces de remplacement ou de l'aide au sujet de cet appareil, appelez à ce numéro :

Sans frais : 1-888-9 FNP USA (1-888-936-7872)

ou écrivez à cette adresse :

Fisher & Paykel Appliances Inc.
5900 Skylab Road
Huntington Beach, CA 92647
États-Unis

ou contactez-nous par l'entremise de notre site Web, www.fisherpaykel.ca

Informations sur le produit

Fisher & Paykel Ltd

Modèle _____ N° de série _____

Date d'achat _____ Acheteur _____

Détaillant _____ Banlieue _____

Ville _____ Pays _____

Copyright © Fisher & Paykel 2009. All rights reserved.

The product specifications in this booklet apply to the specific products and models described at the date of issue. Under our policy of continuous product improvement, these specifications may change at any time. You should therefore check with your Dealer to ensure this booklet correctly describes the product currently available.

Droits réservés © Fisher & Paykel 2009.

Les spécifications du produit contenues dans ce manuel s'appliquent aux modèles et produits spécifiques comme décrits à la date de publication. Dans le cadre de notre politique d'améliorations en permanence de nos produits, ces spécifications pourront être modifiées à tout moment. Nous vous recommandons de vérifier auprès de votre revendeur que ce manuel décrit le produit actuellement disponible.

www.fisherpaykel.com

www.fisherpaykel.ca

US CA

CookSurface user guide

Published: 05/2009

Part No. 599737 B

Free Manuals Download Website

<http://myh66.com>

<http://usermanuals.us>

<http://www.somanuals.com>

<http://www.4manuals.cc>

<http://www.manual-lib.com>

<http://www.404manual.com>

<http://www.luxmanual.com>

<http://aubethermostatmanual.com>

Golf course search by state

<http://golfingnear.com>

Email search by domain

<http://emailbydomain.com>

Auto manuals search

<http://auto.somanuals.com>

TV manuals search

<http://tv.somanuals.com>