

Cooktop Gas

MODELS

CG602
CG602W
CG602WFC
CG602QJET

CG602F
CG602WF
CG602MJET



599158

Fisher & Paykel Appliances Ltd
PO Box 58-732, Greenmount.
78 Springs Rd, East Tamaki
New Zealand
Tel: (09) 2730660
Fax: (09) 2730580

Fisher & Paykel Customer Services Pty Ltd
A.C.N. 003 3335 171, 19 Enterprise Street,
Cleveland, QLD 4163
PO Box 798, Cleveland, QLD 4163,
Ph: 07 3826 9100,
Fax: 07 3826 9164

Fisher & Paykel Appliances Singapore
150 Ubi Avenue 4,
Sunlight Building #02-00
Singapore 408825
Phone: 6547 0100
Service Ph: 6741 0777
Fax: 6547 0123

Fisher & Paykel Appliances Ltd UK
Broxell Close, Wedgnoek Industrial Estate,
Warwick CV34 5QF
Ph: 01926 626700
Fax: 01926 626701

PRODUCTS

Brand Fisher & Paykel, Shacklock

Voltage 230-240V, 50Hz

Model	Code
CG602	84593, 87912, 87913, 87914
CG602W	84594, 84595, 87911, 87917, 87918, 87919
CG602WF	84596, 84597, 87920, 87921, 87922, 87923
CG602WFC	84598, 87910, 87924
CG602F	87915, 87916
CG602QJET	87925, 87926, 88301, 88307, 88313, 88319, 88786
CG602MJET	87927, 87928, 88302, 88308, 88314, 88320, 88787

CONTENTS

HOB TOP	6
BASEPAN – NON FLAME FAILURE CG602 / 602W	10
BASEPAN – FLAME FAILURE CG602F / CG602WF / CG602WFC / CG602QJET / CG602MJET	14

GUIDE TO USING THIS MANUAL

The model(s) and/or series covered by this manual are listed on the front cover.

The information detailed in this manual is subject to change without notice, the latest version is indicated by the Manual date and replaces any earlier editions.

The front cover picture shows the type of product and may not necessarily be an exact image of the models covered by the manual.

Part References

Where a Model is shown, the part is exclusive to the Model(s) stated.

602-CG602, W-CG602W, WF-CG602WF, WFC-CG602WFC, F-CG602F, Q – CG602QJET, M – CG602MJET.

NZ - New Zealand, AU - Australia, EU - Europe, GB – United Kingdom, DK - Denmark, DE - Germany, NL – Netherlands.

Kit Parts

The components shown in *italics* are those parts in the kit which are available also as separate items. In addition, some parts supplied with this kit which are not available as separate items are listed without part numbers. Some items not shown in the diagram are listed as NI under the part(s) they are associated with.

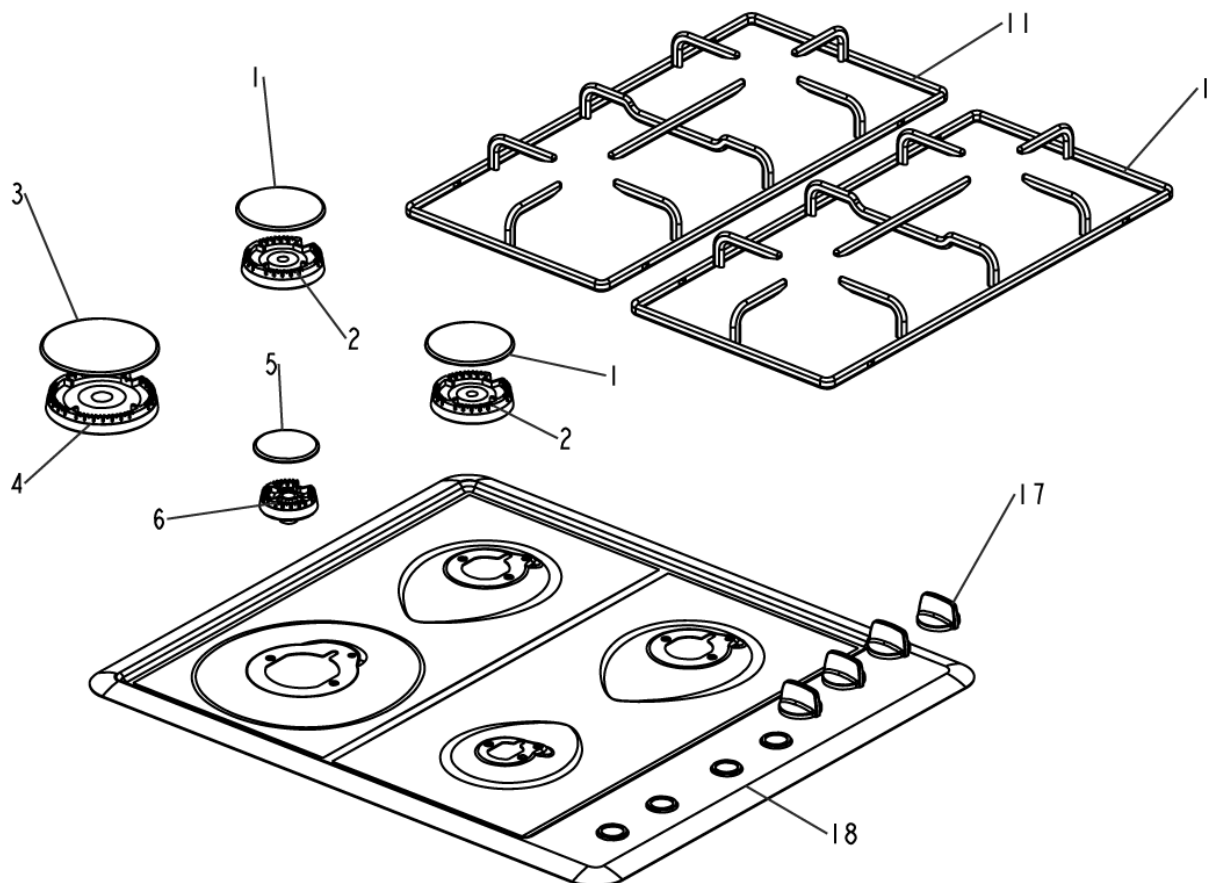
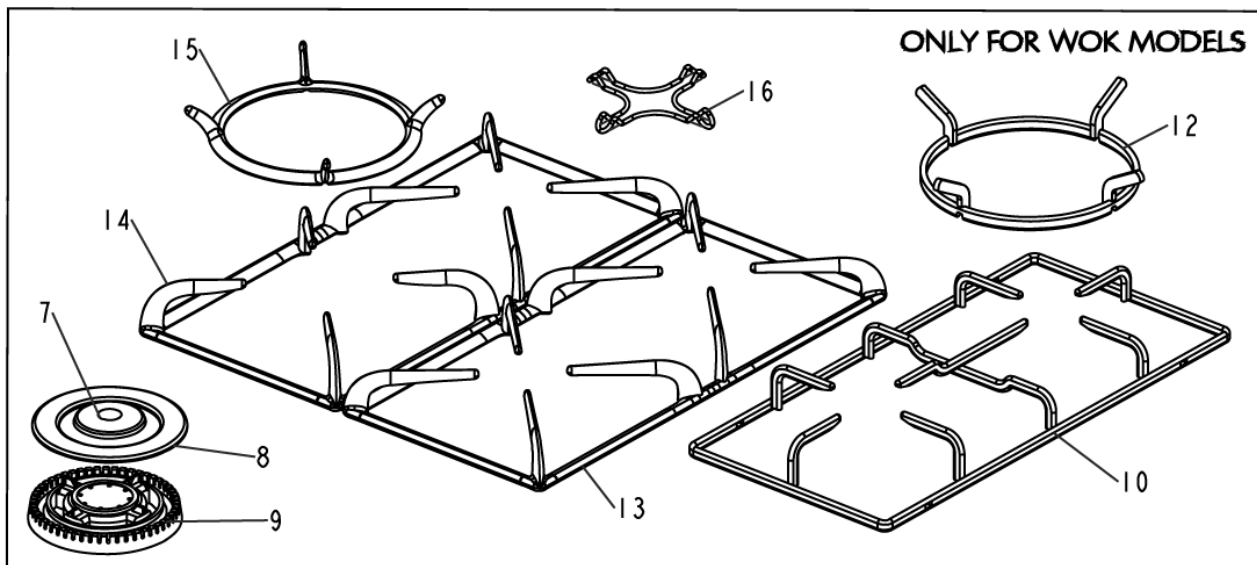
All details relating to Technical Bulletins or Notes are shown on a dedicated page.

Parts List Key

NOT USED	As a part, indicates the diagram part reference is not used in this manual.
#	Beside the part number, indicates the part is no longer available.
<i>italics</i>	Kit components shown in <i>italics</i> are also available separately.
*	Indicates a technical bulletin or note exists for the part or part reference.
NI	As a part reference, indicates the part is not illustrated on the diagram.

HOB TOP

CG602 / 602W / 602WF / 602WFC / 602F / 602QJET / 602MJET



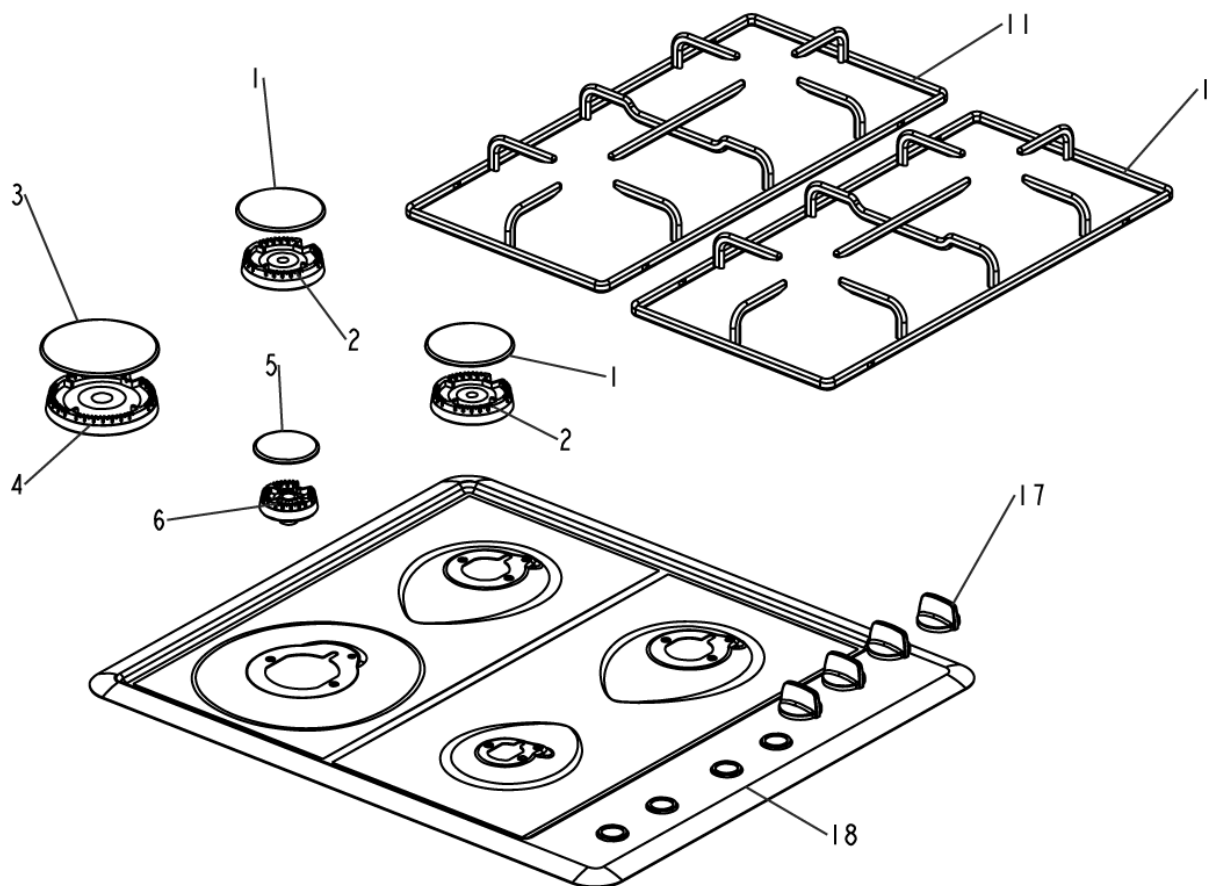
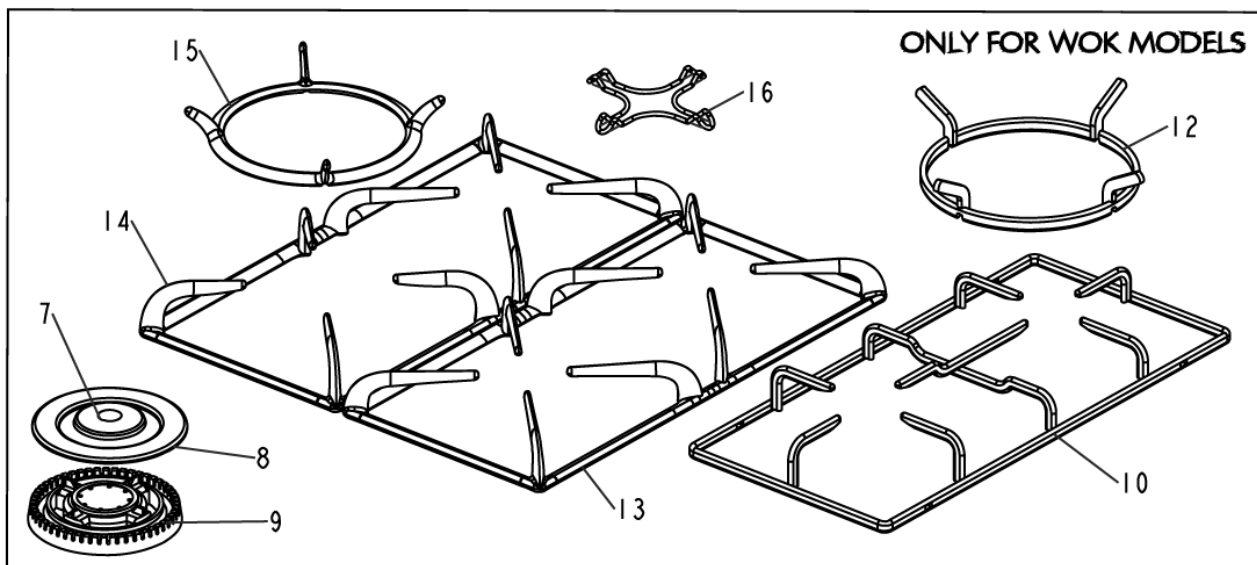
HOB TOP

CG 602 / 602W / 602WF / 602WFC / 602F / 602QJET / 602MJET

REF	PART	DESCRIPTION	MODEL
1	530224	BURNER CAP SEMI RAPID ENAM MK2	602, W, WF, WFC, F
	530333	BURNER CAP SR ENAM MATT MK2	Q, M
2	530223	BURNER SPREADER SEMI RAPID MK2	
3	531463	BURNER CAP RAPID GLOSS EN MK2	602, F
4	531622	BURNER SPREADER RAPID MK2	602, F
5	530227	BURNER CAP AUX ENAM MK2	602, W, WF, WFC, F
	530332	BURNER CAP AUX ENAM MATT MK2	Q, M
6	531616	BURNER SPREADER AUX MK2	
7	530230	BURNER CAP WOK INNER MK2	W, WF, WFC
	530334	BURNER CAP WOK/I ENAM MATT MK2	Q, M
8	530231	BURNER CAP WOK OUTER MK2	W, WF, WFC
	530335	BURNER CAP WOK/O ENAM MATT MK2	Q, M
9	530229	BURNER SPREADER WOK MK2 – NZ, AU	W, WF, WFC, Q, M
	531481	BURNER SPREADER WOK SEALED – EU, GB, DK, DE, NL	Q, M
10	530637	TRIVET WIRE WOK 65X75	W, WF
11	530638	TRIVET WIRE 65 x 65	602, W, WF, F
12	530091	WOK RING WIRE	W, WF
13	530062	TRIVET CAST MAIN	WFC, Q, M
14	530061	TRIVET CAST WOK	WFC, Q, M
15	530303	WOK RING CAST	WFC, Q, M
16	530092	TRIVET COFFEE POT	WFC, Q, M
17	530443	KNOB ASSY GC SATIN	WFC
	530327	KNOB ASSY GC Q/M	Q, M
	530444	KNOB ASSY GC BLACK	602, W, F
	530445	KNOB ASSY GC WHITE	602, W,WF, F
NI	530074P	SPRING KNOB RETAINING PKT10	
18	530535	HOB TOP CG602 FP WHITE	602
	530529	HOB TOP CG602F FP WHITE	F
	530521	HOB TOP CG602W FP WHITE	W
	530512	HOB TOP CG602WF FP WHITE	WF
	530523	HOB TOP CG602W FP SS	W
	530514	HOB TOP CG602WF/C FP SS	WF, WFC
	530533	HOB TOP CG602 FP SS	602
	530527	HOB TOP CG602F FP SS	F

HOB TOP

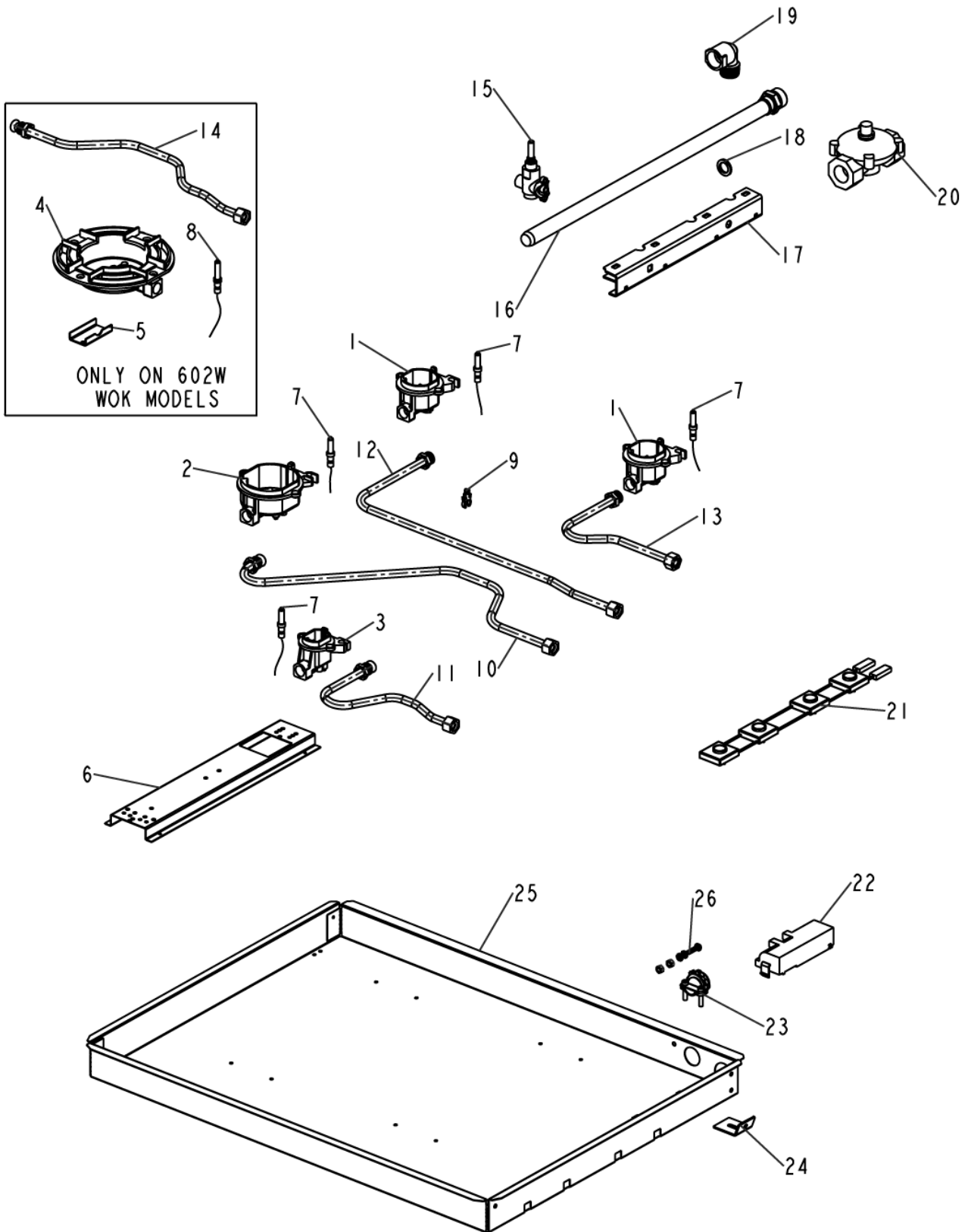
CG602 / 602W / 602WF / 602WFC / 602F / 602QJET / 602MJET



HOB TOP**CG 602 / 602W / 602WF / 602WFC / 602F / 602QJET / 602MJET**

REF	PART	DESCRIPTION	MODEL
	530517	HOB TOP CG602 QJET FP SS	Q
	530643	HOB TOP CG602 MJET FP SM	M
	530534	HOB TOP CG602 SH WHITE	602
	530520	HOB TOP CG602W SH WHITE	W
	530511	HOB TOP CG602WF SH WHITE	WF
	530522	HOB TOP CG602W SH SS	W
	530515	HOB TOP CG602WF/C SH SS	WF, WFC
NI	556099P	SCREW MC M3X7 PAN CSK PH SS PKT10	
NI	530686	BOOK INSTAL INSTR GAS NZ/AU	
NI	599120	USER GUIDE CG602/902 AU/NZ	602, F, W, WF, WFC
NI	599121	USER GUIDE Q/MJET 6/9 AU/NZ	Q, M
NI	531907	BOOK SET USER/INSTAL CG - GB	
NI	531908	BOOK SET USER/INSTAL CG - EU	
NI	531909	BOOK SET USER/INSTAL CG - DK	
NI	531910	BOOK SET USER/INSTAL CG – DE, NL	

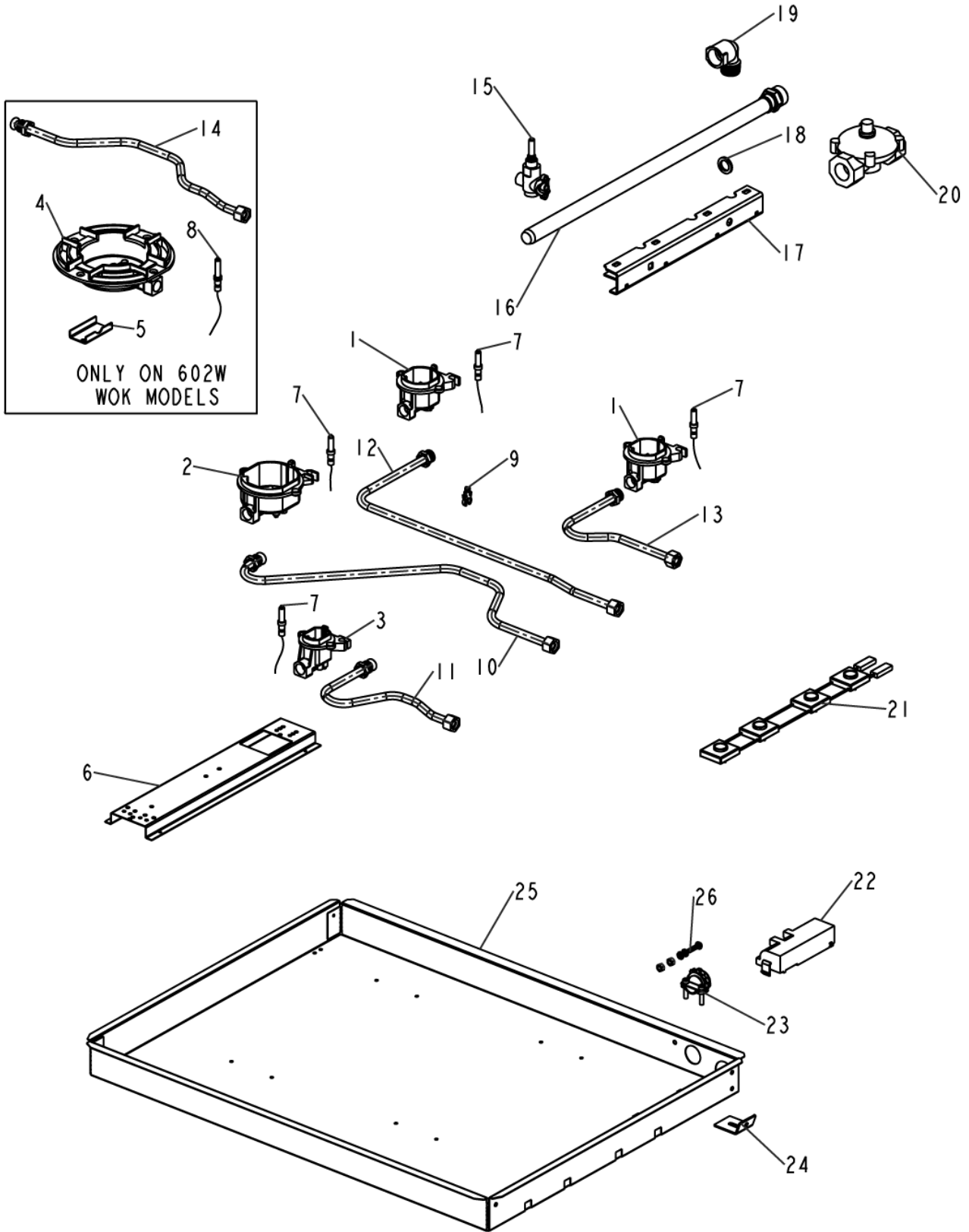
BASEPAN – NON FLAME FAILURE CG602 / 602W



BASEPAN – NON FLAME FAILURE CG602 / 602W

REF	PART	DESCRIPTION	MODEL
1	531614	BURNER BOWL SR MK2 1.30	
NI	530465	INJECTOR 1.30 NG - NZ, AU	
NI	556083P	SCREW TAPTITE M3.5X6 PAN PH NP PKT10	
2	531461	BURNER BOWL RAPID MK2 1.30	602
NI	530456	INJECTOR 1.55 NG – NZ, AU	602
NI	556083P	SCREW TAPTITE M3.5X6 PAN PH NP PKT10	602
3	530225	BURNER BOWL AUX MK2 0.85	
NI	530140	INJECTOR 0.85 NG – NZ, AU	
NI	556083P	SCREW TAPTITE M3.5X6 PAN PH NP PKT10	
4	530228	BURNER BOWL WOK MK2 UNSLD 1.80 – NZ, AU	W
NI	531691	INJECTOR 1.80 NG – NZ, AU	W
5	530236	BRACKET SPACER WOK	W
NI	556005P	SCREW ST 6X5/8 T25 PKT10	W
6	530237	BRACKET BURNERS MK2	
NI	556003P	SCREW ST 6X3/8 T25 PAN PH NP PKT10	
7	530242	ELECTRODE 600 MK2 8180576	
NI	530245	SPRING CLIP ELECTRODE MK2	
NI	530251P	O RING ELECTRODE (BLACK) PKT10	
8	530244	ELECTRODE WOK 600 MK2 8180586	W
NI	530245	SPRING CLIP ELECTRODE MK2	W
NI	530251P	O RING ELECTRODE (BLACK) PKT10	W
9	531715P	SUPPORT IGNITOR WIRE PKT10	
10	530690	TUBE NUT ASSY L F 602 RAPID	602
11	530689	TUBE NUT ASSY R F 602 AUX	
12	530656	TUBE NUT ASSY L R 602 SR	
13	530658	TUBE NUT ASSY R R 602 SR	
14	530691	TUBE NUT ASSY LF 602 WOK	W
15	530029	GAS VALVE STD SABAF 4240085	
NI	556040P	SCREW MC M4X20 HEX PH MS NP PKT10	
16	530089	MANIFOLD 600 9390280	
17	530546	BRACKET MANIFOLD GC 600	
NI	556083P	SCREW TAPTITE M3.5X6 PAN PH NP PKT10	
18	530132P	WASHER BLUE ½ GAS SEAL PKT10	
19	530056	ELBOW ½ - ½ BSP/GREY	
20	530057	REGULATOR NG 6160595	
21	530640	IGNITION SWITCH HARNESS CG602/602W	
NI	530075P	CIRCLIP 14MM 4240920 PKT10	
22	530629	IGNITION BOX 4PT BLUE BF80046	
23	525897	CLAMP CABLE NEER C500 3/8"	
24	530065	BRACKET CLAMPING INSTALLATION	

BASEPAN – NON FLAME FAILURE CG602 / 602W

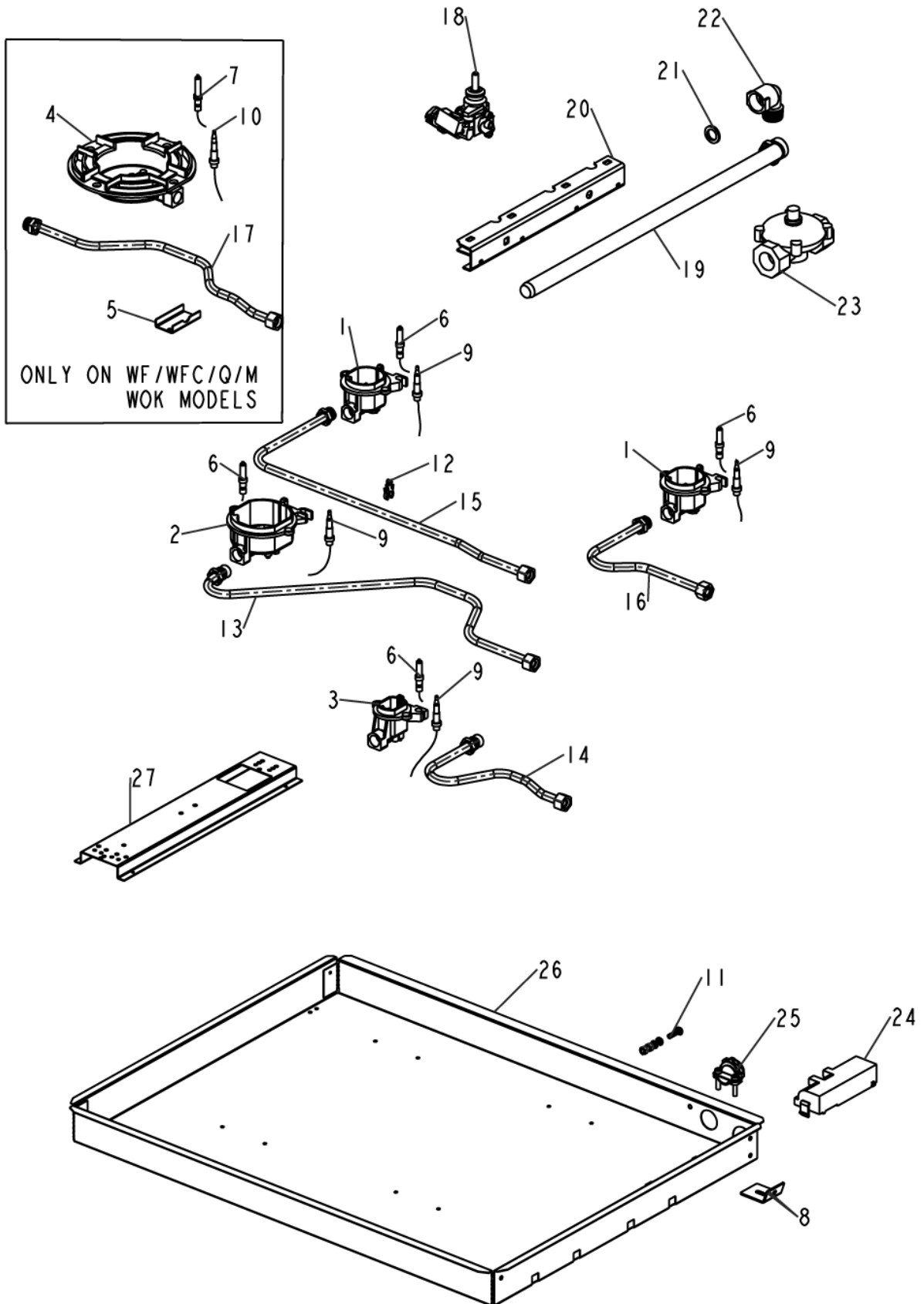


**BASEPAN – NON FLAME FAILURE
CG602 / 602W**

REF	PART	DESCRIPTION	MODEL
NI	556006P	SCREW ST 8X1 TAB PAN PH NP PKT10	
25	530627	BASEPAN GAS CG602	
NI	556003P	SCREW ST 6X3/8 T25 PAN PH NP PKT10	
26	556104P	NUT M4 HEX FS MS NIPL PKT10	
	556513P	WASHER LOCK 5/32 EXT SER ST BU PKT10	
	556117P	SCREW MC M4X18 PAN PH MS ZP PKT10	
NI	530301	FLEX ASSY MAINS – NZ, AU	
NI	530635	KIT CONVERSION LPG CG602 – NZ, AU	602
NI	530684	KIT CONVERSION LPG CG602 W – NZ, AU	W
NI	530695	KIT NG JET CG602 – NZ, AU	602
NI	530696	KIT NG JET CG602W – NZ, AU	W
NI	530291	TEST POINT ½ - AU	

BASEPAN – FLAME FAILURE

CG602F / CG602WF / CG602WFC / CG602QJET / CG602MJET

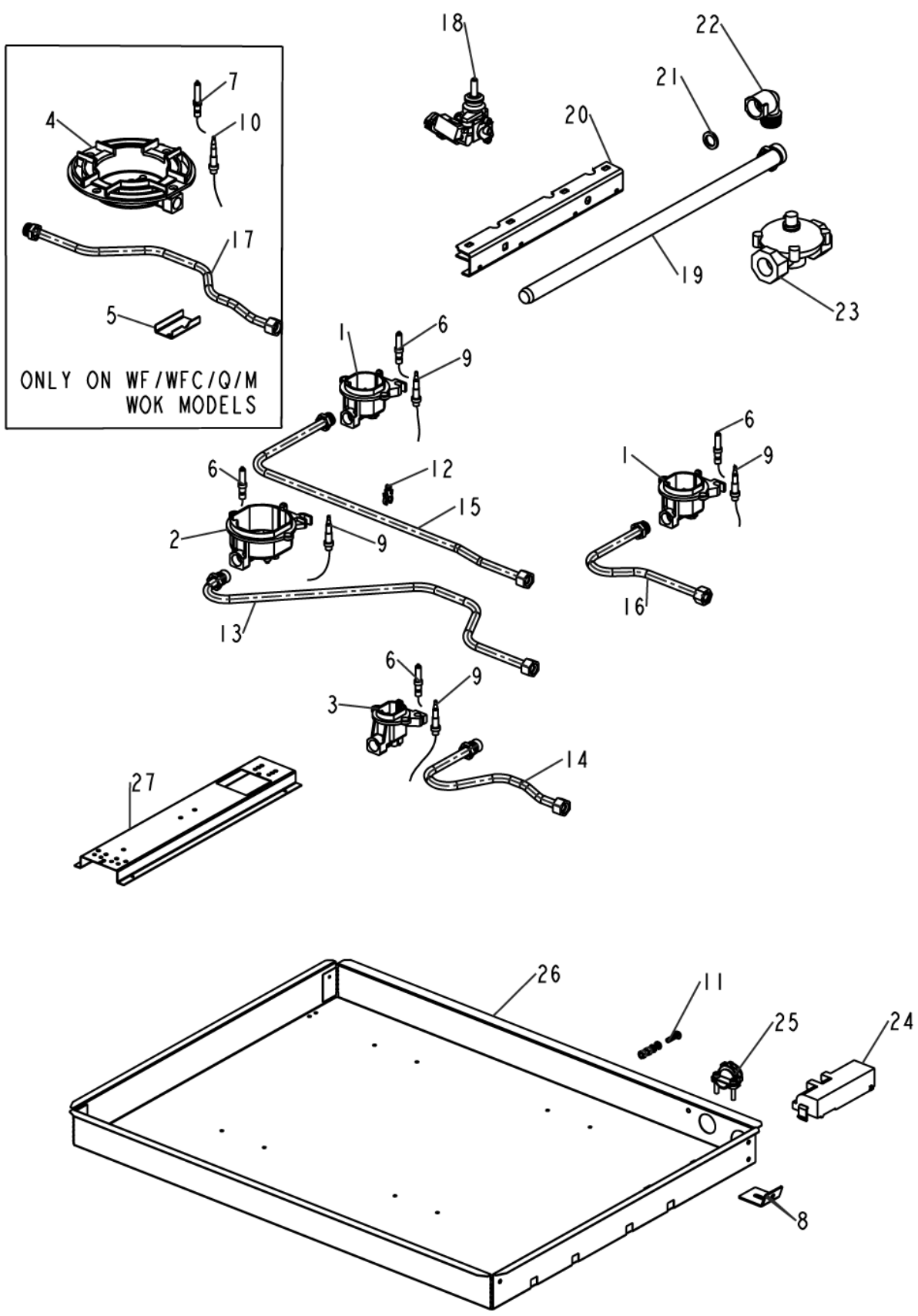


BASEPAN – FLAME FAILURE
CG602F / CG602WF / CG602WFC / CG602QJET / CG602MJET

REF	PART	DESCRIPTION	MODEL
1	531614	BURNER BOWL SR MK2 1.30	
NI	530465	INJECTOR 1.30 NG – NZ, AU	
NI	530543	INJECTOR 1.00 Z NG - EU, GB, DK, DE	
NI	531868	INJECTOR 1.05 Z NG - NL	
NI	556083P	SCREW TAPTITE M3.5X6 PAN PH NP PKT10	
2	531461	BURNER BOWL RAPID MK2 1.30	F
NI	530456	INJECTOR 1.55 NG	F
NI	556083P	SCREW TAPTITE M3.5X6 PAN PH NP PKT10	F
3	530225	BURNER BOWL AUX MK2 0.85	
NI	530140	INJECTOR 0.85 NG – NZ, AU	
NI	530454	INJECTOR 0.75 NG – EU, GB, DK, DE	
NI	531862	INJECTOR 0.75S NG - NL	
NI	556083P	SCREW TAPTITE M3.5X6 PAN PH NP PKT10	
4	530228	BURNER BOWL WOK MK2 UNSLD 1.80 – NZ, AU	WF, WFC, Q, M
	531482	BURNER BOWL WOK SEALED 1.80 – EU, GB, NL, DK, DE	Q, M
NI	531691	INJECTOR 1.80 NG – NZ, AU	WF, WFC, Q, M
NI	531866	INJECTOR 1.15Y NG – EU, GB, DK, DE	Q, M
NI	530283	INJECTOR 1.45 NG - NL	Q, M
5	530236	BRACKET SPACER WOK	WF, WFC, Q, M
NI	556005P	SCREW ST 6X5/8 T25 PKT10	WF, WFC, Q, M
6	530242	ELECTRODE 600 MK2	
NI	530245P	SPRING CLIP ELECTRODE MK2 PKT10	
NI	530251P	O RING ELECTRODE (BLACK) PKT10	
7	530244	ELECTRODE WOK 600 MK2 8180586 – NZ, AU	WF, WFC, Q, M
	530410	ELECTRODE TRB 8180597 750MM – EU, GB, DK, DE, NL	Q, M
NI	530245P	SPRING CLIP ELECTRODE MK2 PKT10	
NI	530251P	O RING ELECTRODE (BLACK) PKT10	
8	530065	BRACKET CLAMPING INSTALLATION	
NI	556006P	SCREW ST 8X1 TAB PAN PH NP PKT10	
9	530630	THERMOCOUPLE 750MM QC MK2	
NI	530250P	NUT THERMOCOUPLE MK2 PKT10	
NI	530249P	O RING ELECTR/THERMCPL 8180991 PKT10	
10	530631	THERMOCOUPLE WOK 900 QC 3.5 – NZ, AU	WF, WFC, Q, M
	530700	THERMOCOUPLE WOK 900MM QC3.6 – EU, GB, DK, DE, NL	Q, M
NI	530250P	NUT THERMOCOUPLE MK2 PKT10	
NI	530249P	O RING ELECTR/THERMCPL 8180991 PKT10	

BASEPAN – FLAME FAILURE

CG602F / CG602WF / CG602WFC / CG602QJET / CG602MJET



BASEPAN – FLAME FAILURE
CG602F / CG602WF / CG602WFC / CG602QJET / CG602MJET

REF	PART	DESCRIPTION	MODEL
11	556117P	SCREW MC M4X18 PAN PH MS ZP PKT10	
	556104P	NUT M4 HEX FS MS NIPL PKT10	
	556513P	WASHER LOCK 5/32 EXT SER ST BU PKT10	
12	531715P	SUPPORT IGNITOR WIRE PKT 10	
13	530690	TUBE NUT ASSY LF 602 RAPID – NZ, AU	F
14	530689	TUBE NUTS ASSY R F 602 AUX	
15	530656	TUBE NUTS ASSY L R 602 SR	
16	530658	TUBE NUTS ASSY R R 602 SR	
17	530691	TUBE NUT ASSY LF 602 WOK – NZ, AU	WF, WFC, Q, M
	530690	TUBE NUT ASSY LF 602 WOK SLD – EU, GB, DK, DE, NL	Q, M
18	532180	GAS COCK BP 612693810029 RED	
	532178	GAS COCK BYPASS 060 YELLOW WOK – EU, GB, DK, DE, NL	Q, M
NI	556040P	SCREW M4X20 HEX PH MS NP PKT10	
19	530089	MAINFOLD 602 9390280	
20	530546	BRACKET MANIFOLD GC 600	
NI	556083P	SCREW TAPTITE M3.5X6 PAN PH NP PKT10	
21	530132P	WASHER ½ GAS SEAL PKT10	
22	530056	ELBOW ½ - ½	
23	530057	REGULATOR NG 6160591 – NZ, AU	
24	530629	IGNITION BOX 4PT BLUE BF 80046	
25	525897	CLAMP CABLE 3/8	
26	530627	BASEPAN GAS CG602	
NI	556003P	SCREW ST 6X3/8 T25 PAN PH NP PKT10	
27	530237	BRACKET BURNERS MK2	
NI	556003P	SCREW ST 6X3/8 T25 PAN PH NP PKT10	
NI	530301	FLEX ASSY MAINS – NZ, AU, DK	
	531244	FLEX ASSY MAINS EU – EU, DE, NL	
	530384	FLEX ASSY MAINS GB - GB	
NI	530635	KIT CONVERSION LPG CG602 – NZ, AU	F
NI	530684	KIT CONVERSION LPG CG602 W – NZ, AU	WF, WFC, Q, M
NI	531893	KIT CONVERSION CG602 I3B/P30 – EU, DK, NL, GB	Q, M
NI	531894	KIT CONVERSION CG602 I3B/P50 – DE	Q, M
NI	530695	KIT NG JET CG602 – NZ, AU	F
NI	530696	KIT NG JET CG602W – NZ, AU	WF, WFC, Q, M
NI	530291	TEST POINT ½ - AU	

Free Manuals Download Website

<http://myh66.com>

<http://usermanuals.us>

<http://www.somanuals.com>

<http://www.4manuals.cc>

<http://www.manual-lib.com>

<http://www.404manual.com>

<http://www.luxmanual.com>

<http://aubethermostatmanual.com>

Golf course search by state

<http://golfingnear.com>

Email search by domain

<http://emailbydomain.com>

Auto manuals search

<http://auto.somanuals.com>

TV manuals search

<http://tv.somanuals.com>