

Front panel preparation (Integrated models only)

DishDrawer®

DD36STI, DD90S(H)TI models

Fisher & Paykel

US CA NZ AU GB IE

Important!
SAVE THESE INSTRUCTIONS
The models shown in this document may not be available in all markets and are subject to change at any time. For current details about model and specification availability in your country, please visit our local website listed at the end of this document or contact your local Fisher & Paykel dealer.

① SAFETY AND WARNINGS

⚠ WARNING!



Electrical shock hazard

WARNING – To reduce the risk of electric shock, fire, or injury to persons, the installer must ensure that the DishDrawer® is completely enclosed at the time of installation.
Before fitting the front panel and connecting the integrated badge, make sure that the DishDrawer® is completely enclosed by cabinetry, and disconnected from the power supply.
The integrated badge must be electrically connected by a suitably qualified installer.
Failure to follow these warnings may result in electrical shock, injury or fire.

⚠ WARNING!



Cut hazard

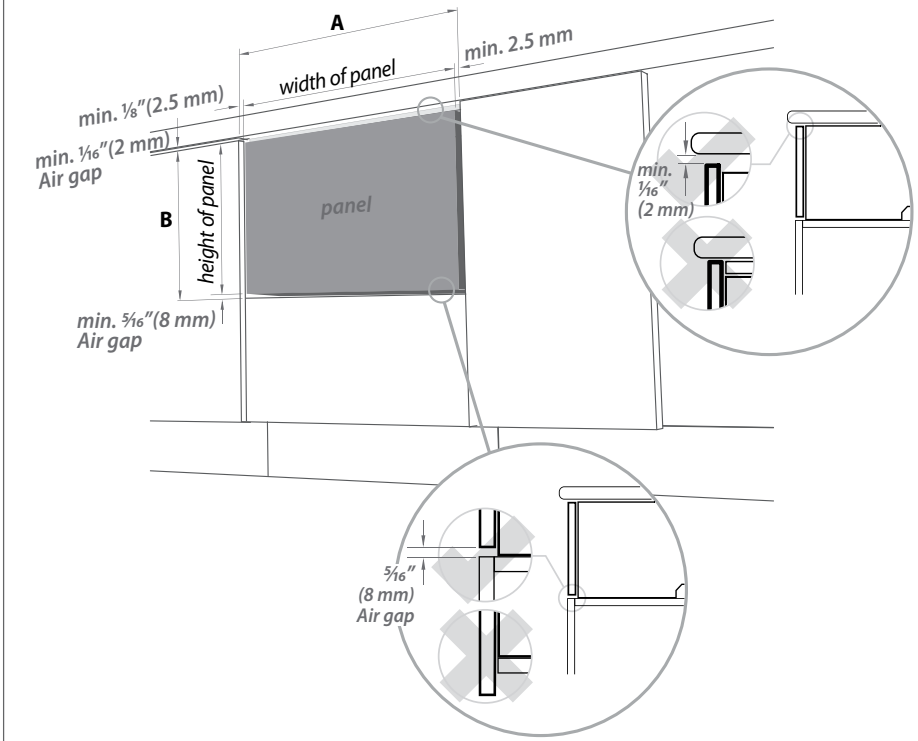
Take care - panel edges are sharp.
Failure to use caution could result in injury or cuts.

Important safety instructions!

- Read these instructions completely and carefully.
- Ensure the product is not plugged in.
- Installation of DishDrawer® panels requires basic mechanical and electrical skills.
- Installation must comply with your local building and electricity regulations.
- Failure to install the Dishdrawer® panels correctly could invalidate any warranty or liability claims.

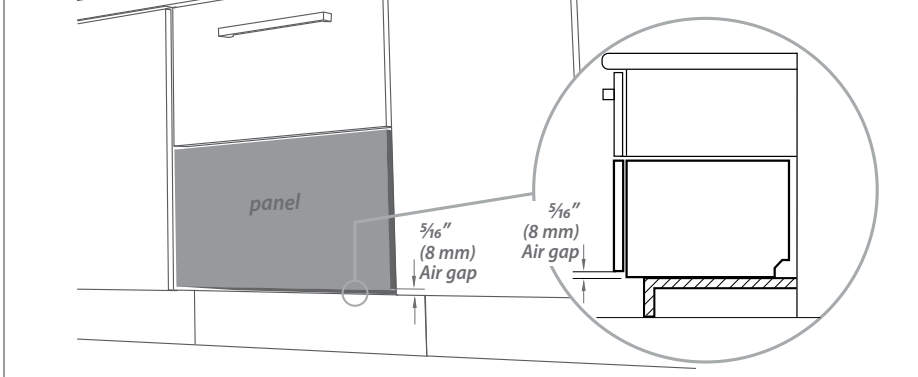
2 PANEL PREPARATION

Installation diagrams for illustration purposes only



Installation diagrams for illustration purposes only

Use this diagram if installing the DishDrawer® near floor level.




The following calculations assume the top of the panel is aligned with the top of the adjacent cabinetry:

width of the panel

Measure **A** (the width between adjacent door/drawer fronts) and write it in the first box below, then complete the equation.

eg.
$$A \quad \text{door clearance} \quad \text{panel width}$$

$$\boxed{35 \frac{7}{16}'' (900 \text{ mm})} - 2 \times \boxed{\frac{1}{8}'' (2.5 \text{ mm})} = \boxed{35 \frac{1}{4}'' (895 \text{ mm})}$$


$$A \quad \text{door clearance} \quad \text{panel width}$$

$$\boxed{} - 2 \times \boxed{} = \boxed{}$$


(min. $\frac{1}{8}'' (2.5 \text{ mm})$) (min. $33 \frac{1}{4}'' (855 \text{ mm})$)

height of the panel

Measure **B** (door/drawer height (or equivalent)) and write it in the first box below, then complete the equation.

eg.
$$B \quad \text{panel height}$$

$$\boxed{18 \frac{7}{8}'' (480 \text{ mm})} - \frac{1}{16}'' (2 \text{ mm}) \text{ Air gap (TOP)} - \frac{5}{16}'' (8 \text{ mm}) \text{ Air gap (BOTTOM)} = \boxed{18 \frac{1}{2}'' (470 \text{ mm})}$$


$$B \quad \text{panel height}$$

$$\boxed{} - \frac{1}{16}'' (2 \text{ mm}) \text{ Air gap (TOP)} - \frac{5}{16}'' (8 \text{ mm}) \text{ Air gap (BOTTOM)} = \boxed{}$$


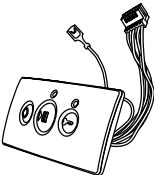
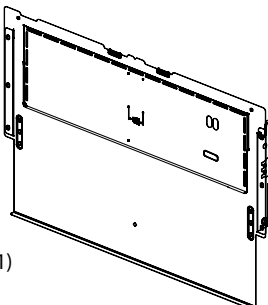

(min. $18 \frac{1}{2}'' (470 \text{ mm})$)

Note: when the top of the DishDrawer® has to be lower than the adjacent cabinetry, the panel can be increased in height.

Front Panel material

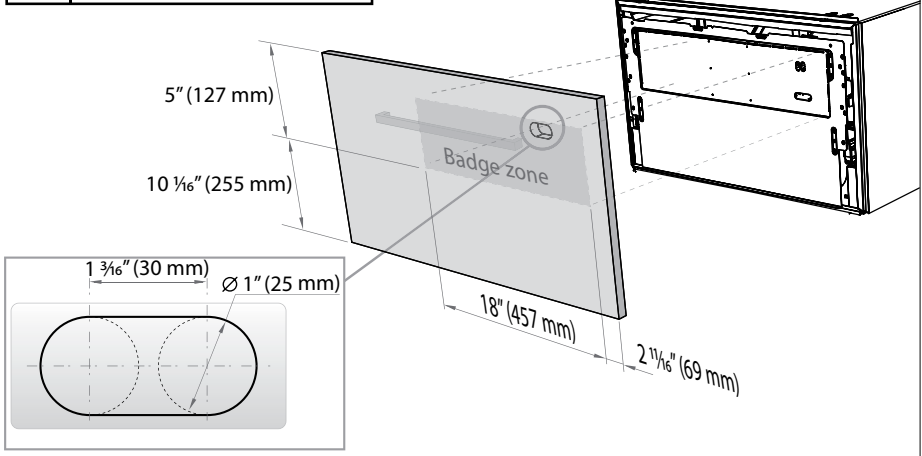
- $\frac{5}{8}'' - 1\frac{1}{8}'' (18 - 20 \text{ mm})$ panel thickness
- Adequately sealed to withstand moisture ($122^\circ\text{F}/50^\circ\text{C}$ @ 80% RH)

3 PARTS SUPPLIED

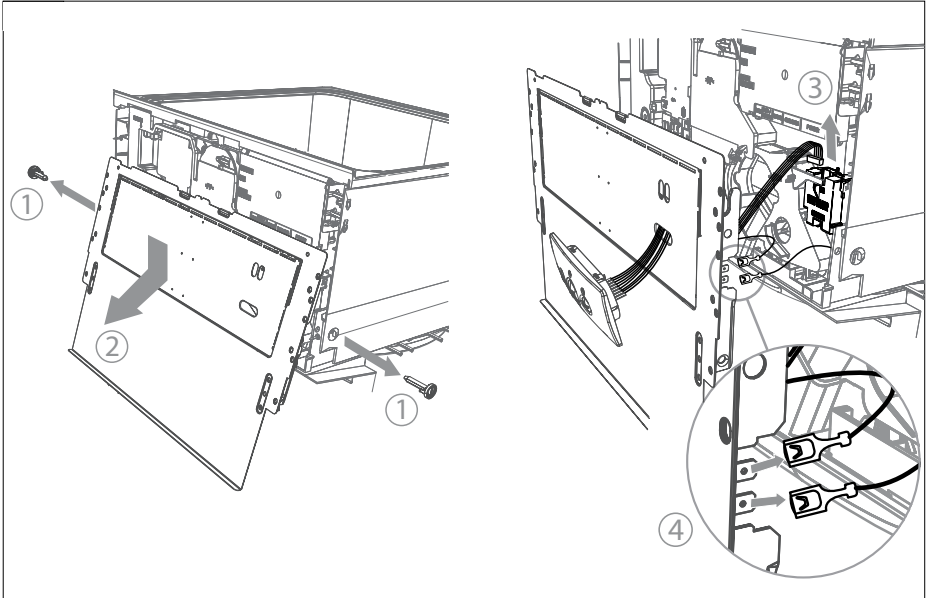
<p><i>Supplied separately</i></p>  <p>Panel mounting screws (14)</p>	 <p>Integrated rectangular badge (1) (Satin chrome supplied)</p>	<p><i>Attached to product</i></p>  <p>Panel bracket (1)</p>	 <p>Integrated door seal (1)</p>
---	---	--	---

4 ZONE REQUIRED FOR BADGE

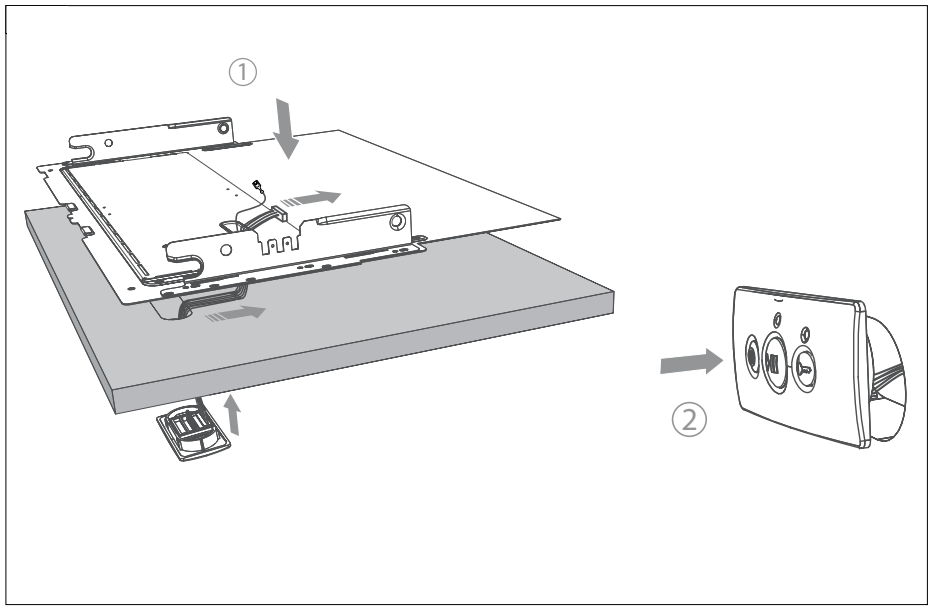
WARNING !
Electrical Shock Hazard
 Before continuing, ensure that the product is disconnected from the power supply.
 Failure to follow this warnings may result in electrical shock, injury or fire.



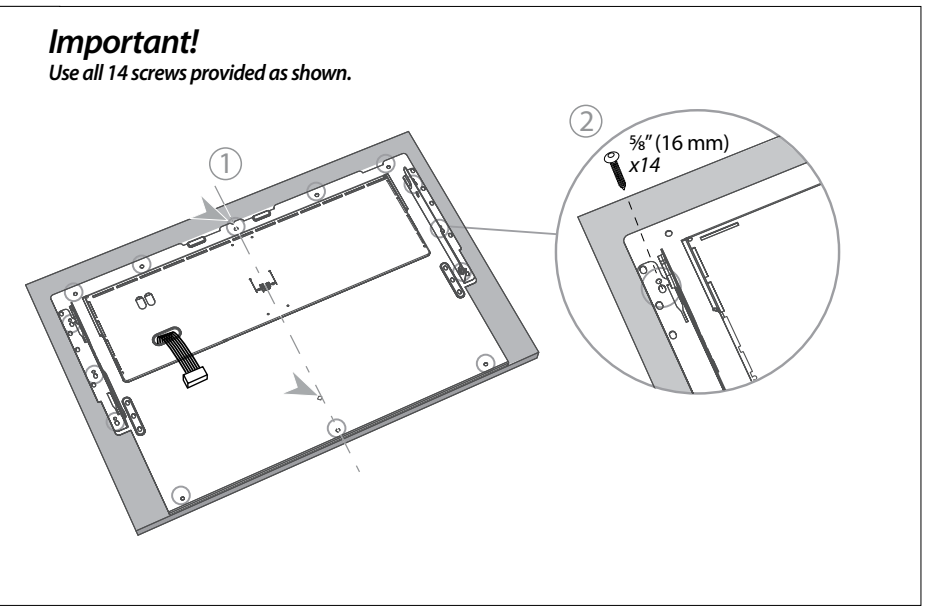
5 REMOVE PANEL BRACKET & DETACH BADGE



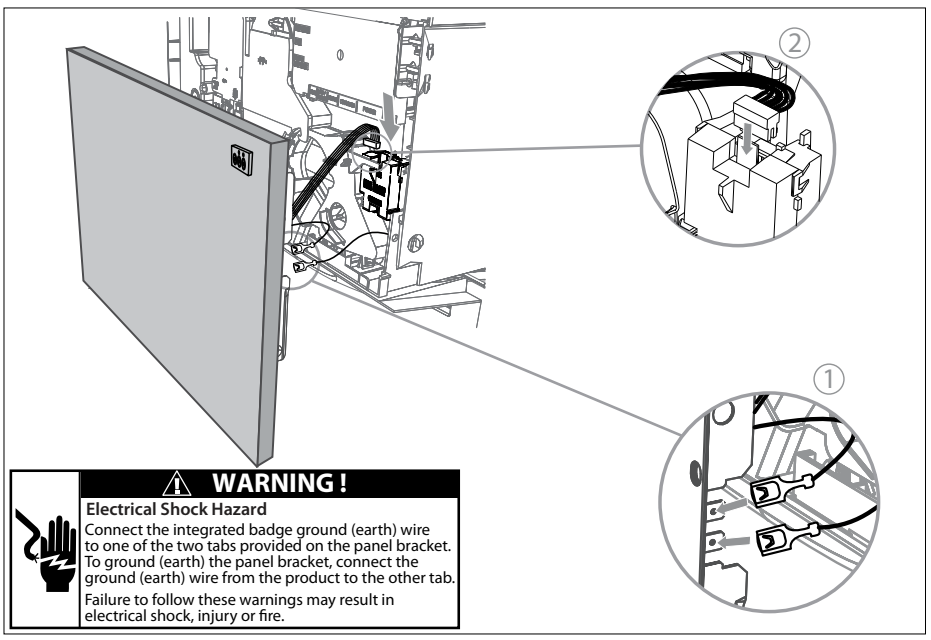
6 ROUTE BADGE THROUGH PANEL



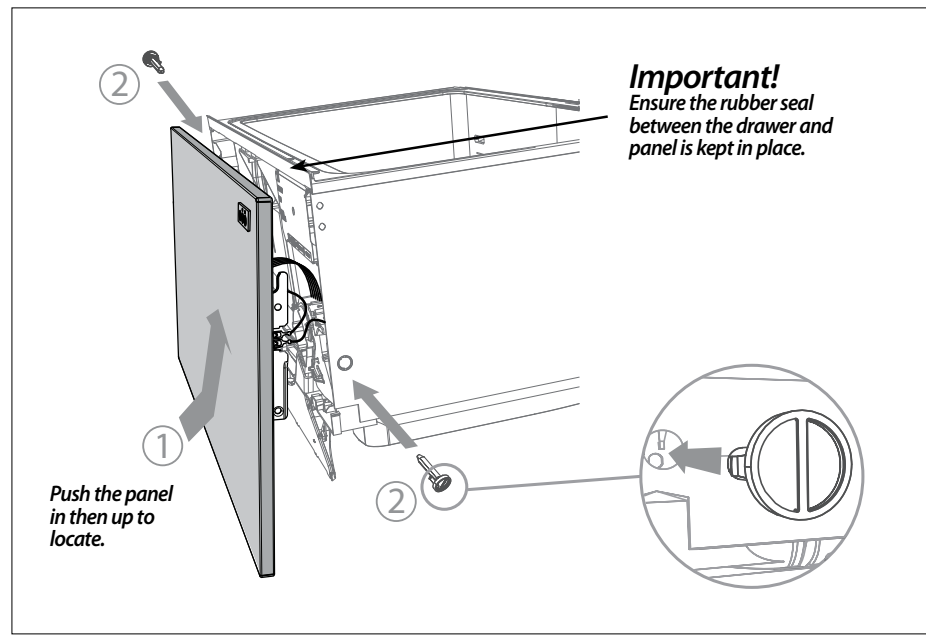
7 SECURE PANEL BRACKET TO PANEL



8 RECONNECT BADGE



9 REATTACH PANEL



Front panel adjustment (Prefinished models only)

DishDrawer®

DD36SDFTX, DD90SDFTM, DD90SDF(H)TX models


Fisher & Paykel

US CA NZ AU GB IE

Important!
SAVE THESE INSTRUCTIONS
The models shown in this document may not be available in all markets and are subject to change at any time. For current details about model and specification availability in your country, please visit our local website listed at the end of this document or contact your local Fisher & Paykel dealer.

If, after installation, the front panel of your DishDrawer is not correctly aligned with the front panels of surrounding cabinetry, it can be adjusted as follows.

① SAFETY AND WARNINGS

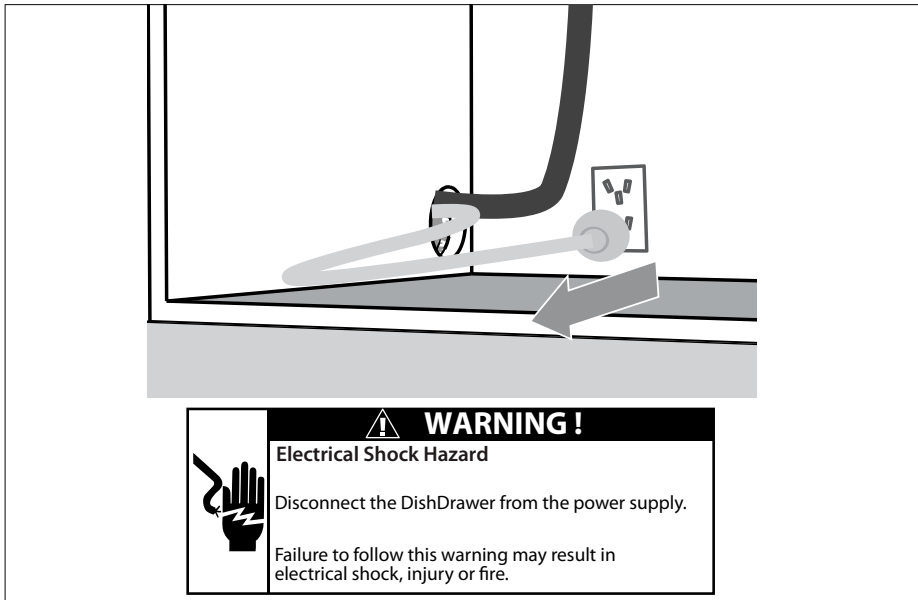
⚠ WARNING!	
	<p>Electrical shock hazard</p> <p>WARNING – To reduce the risk of electric shock, fire, or injury to persons, the installer must ensure that the DishDrawer® is completely enclosed at the time of installation.</p> <p>Before fitting the front panel and connecting the controls, make sure that the DishDrawer® is completely enclosed by cabinetry, and disconnected from the power supply.</p> <p>The controls must be electrically connected by a suitably qualified installer.</p> <p>Failure to follow these warnings may result in electrical shock, injury or fire.</p>

⚠ WARNING!	
	<p>Cut hazard</p> <p>Take care - panel edges are sharp.</p> <p>Failure to use caution could result in injury or cuts.</p>

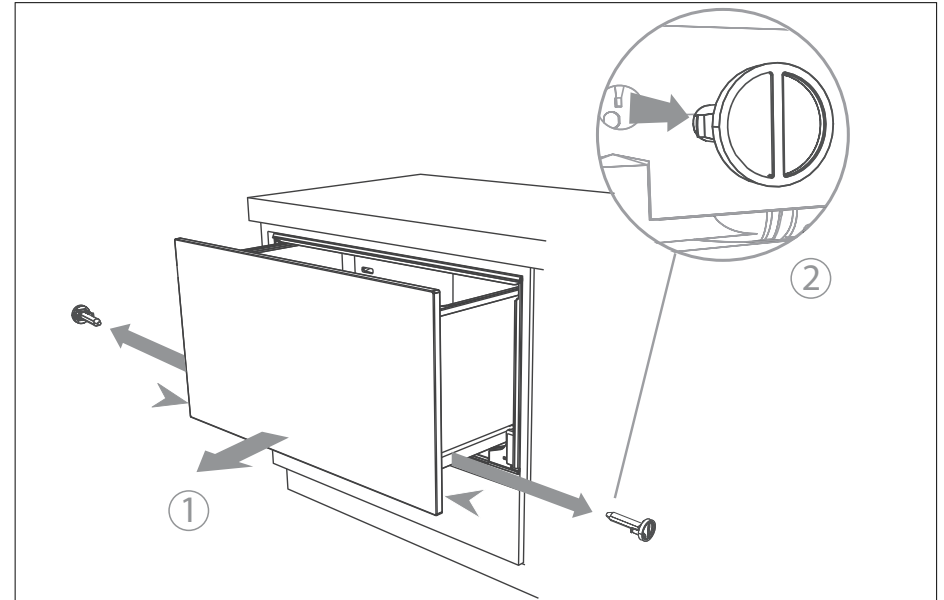
Important safety instructions!

- Read these instructions completely and carefully.
- Ensure the product is not plugged in.
- Installation of DishDrawer® panels requires basic mechanical and electrical skills.
- Installation must comply with your local building and electricity regulations.
- Failure to install the Dishdrawer® panels correctly could invalidate any warranty or liability claims.

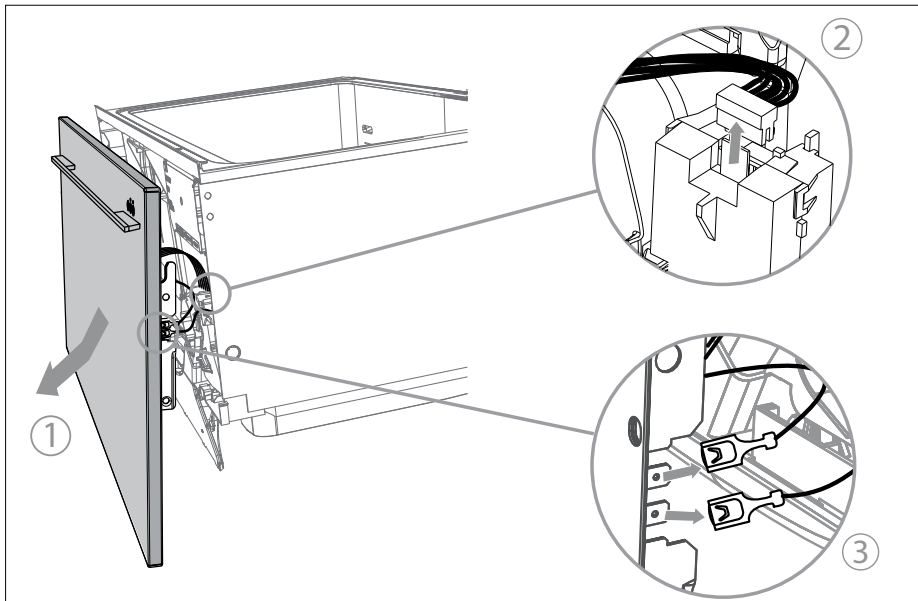
2 DISCONNECT FROM POWER SUPPLY



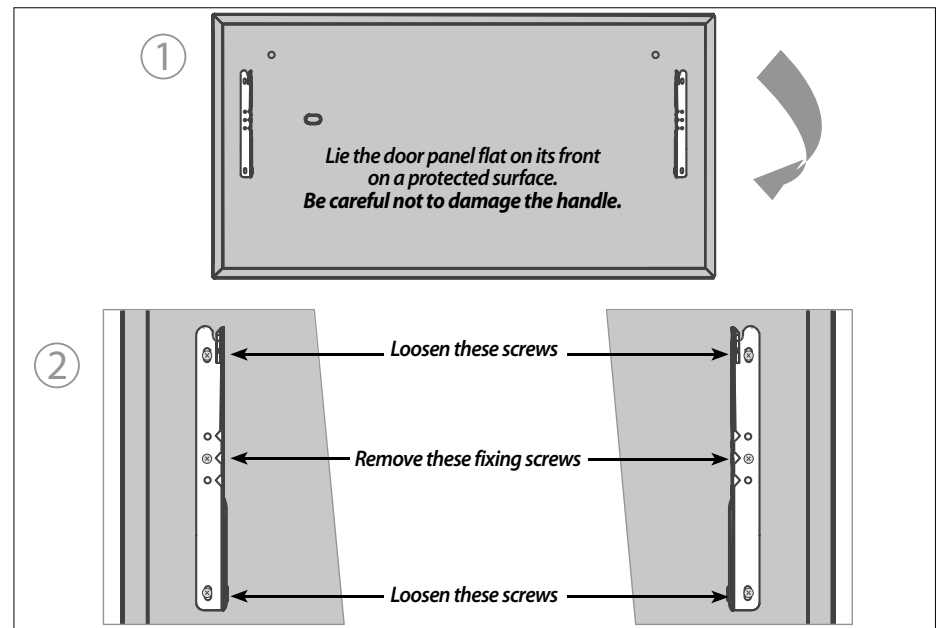
3 REMOVE FRONT PANEL



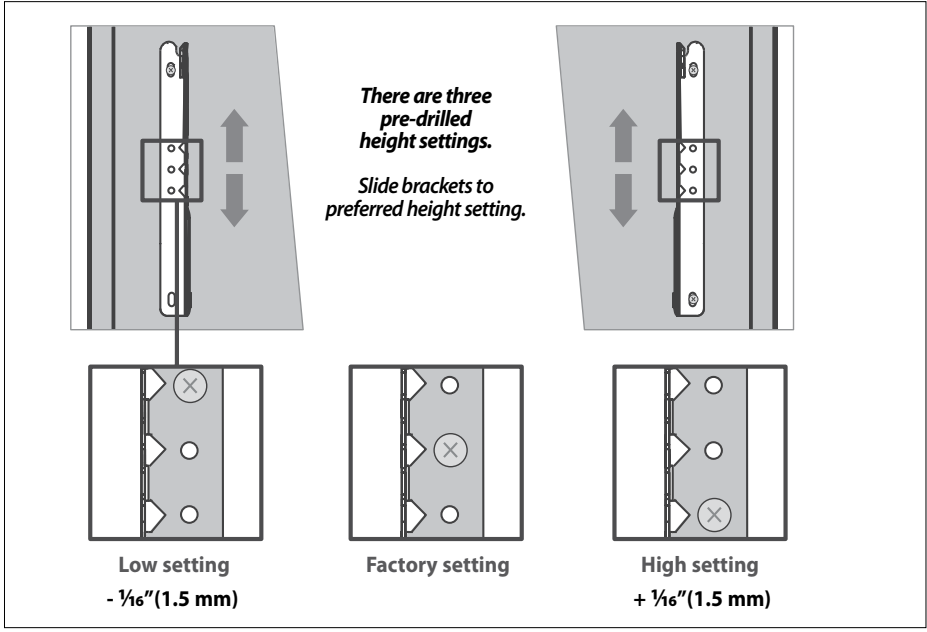
4 DETACH CONTROLS



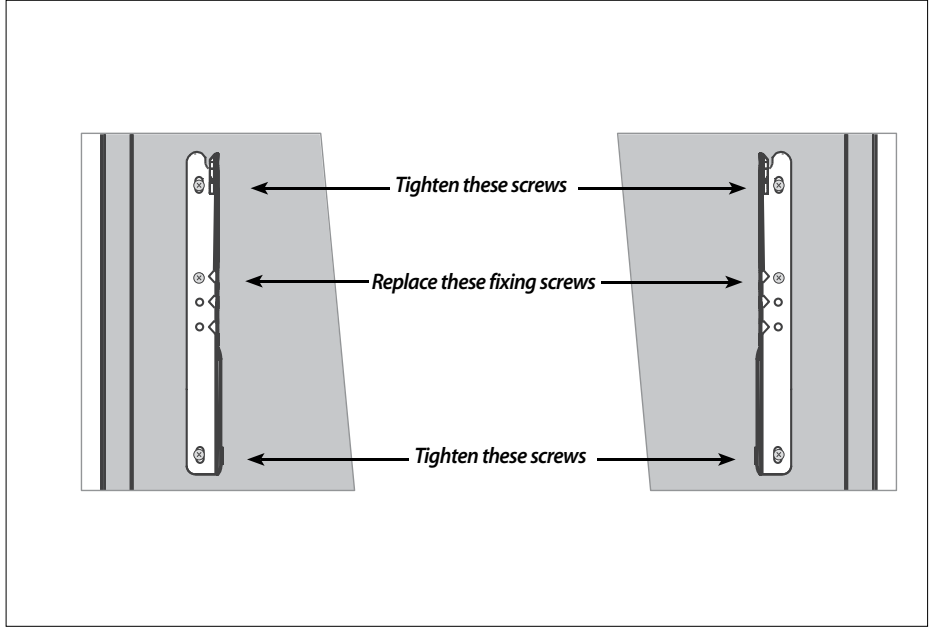
5 LOOSEN PANEL BRACKETS



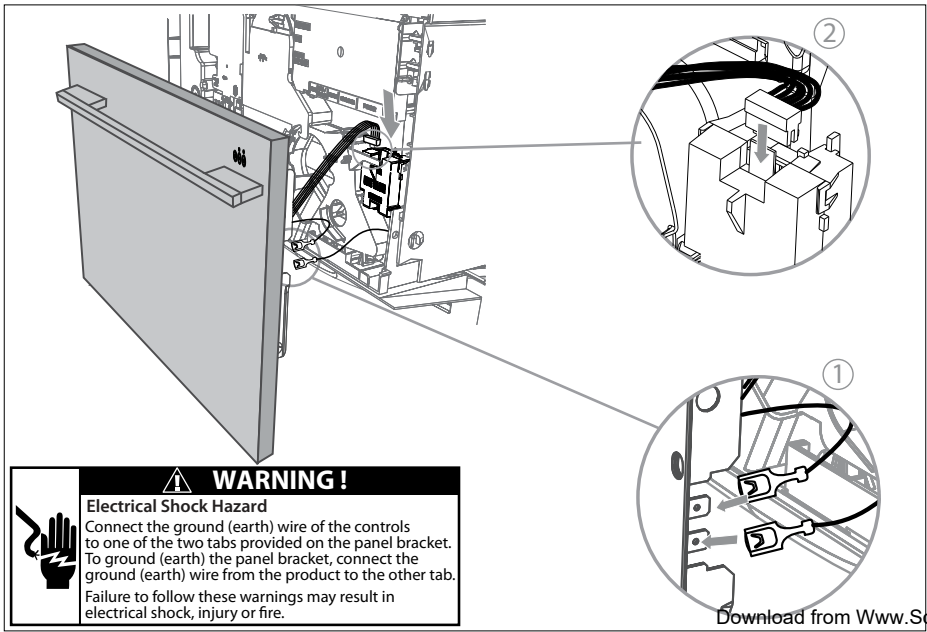
6 SLIDE BRACKETS TO SUITABLE HEIGHT SETTING



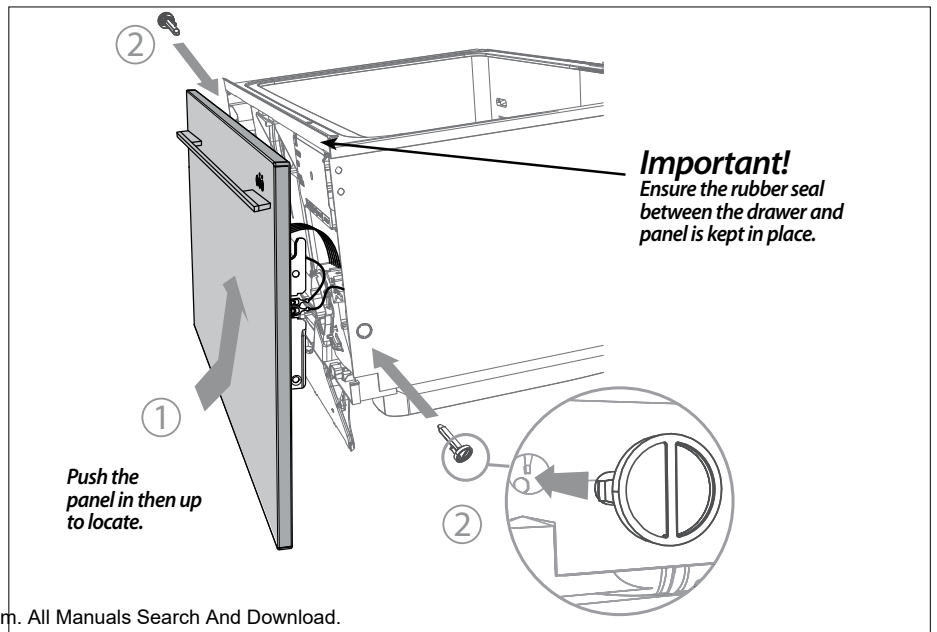
7 TIGHTEN PANEL BRACKETS



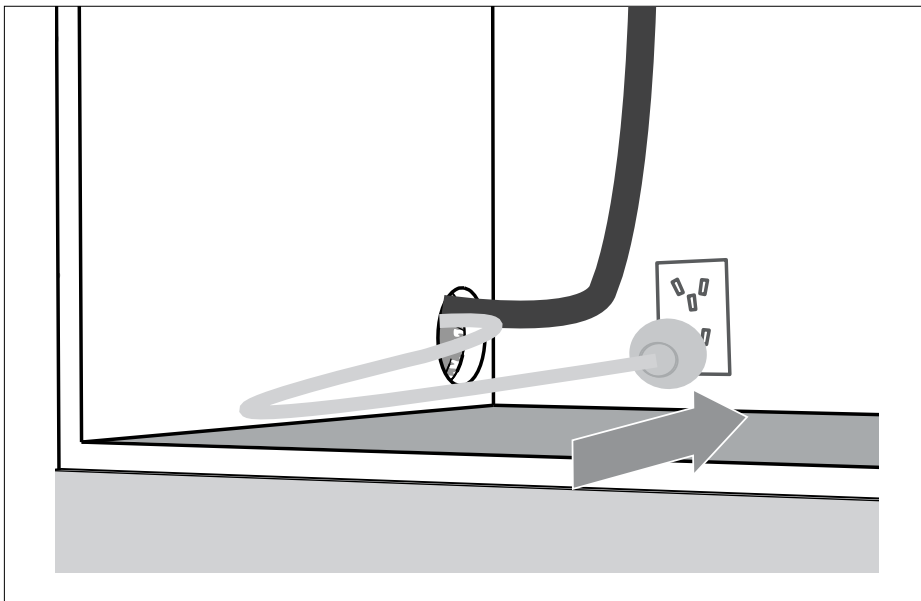
8 RECONNECT CONTROLS



9 REATTACH PANEL



10 RECONNECT THE POWER SUPPLY



Free Manuals Download Website

<http://myh66.com>

<http://usermanuals.us>

<http://www.somanuals.com>

<http://www.4manuals.cc>

<http://www.manual-lib.com>

<http://www.404manual.com>

<http://www.luxmanual.com>

<http://aubethermostatmanual.com>

Golf course search by state

<http://golfingnear.com>

Email search by domain

<http://emailbydomain.com>

Auto manuals search

<http://auto.somanuals.com>

TV manuals search

<http://tv.somanuals.com>