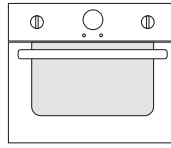
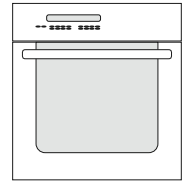


Installation Instructions

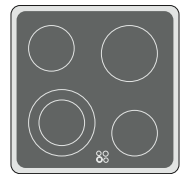
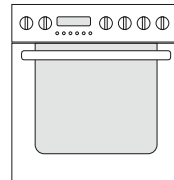
NZ, AU Installation Information



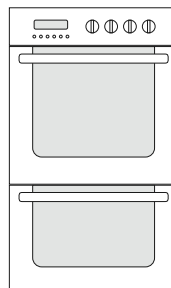
BI452 series
Built-In Compact
Oven



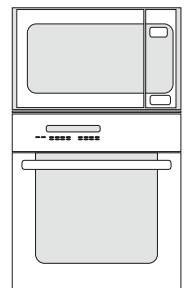
BI602 series
Built-In Oven



BI602CTE series
Built-In Oven/Cooktop combination



BI602ED series
Built-In Double
Oven



BI602XC series
Built-In Oven/
Microwave
combination

Warnings and Safety information

 WARNING!	
	<p>Cut Hazard</p> <p>Take care - panel edges are sharp.</p> <p>Failure to use caution could result in minor injury or cuts.</p>

CAUTION!

- In order to avoid hazard these products must be installed according to these instructions.
- Please follow installation information carefully. If in doubt consult your local building authority by-laws.
- Failure to install the product correctly could invalidate any warranty or liability claims.
- The product is to be installed only by an authorised person.

IMPORTANT!

- Please make this information available to the person responsible for installing the product as it could reduce your installation costs.
- The cavity must be a completely sealed box with no gaps. This will ensure the cooling air flows under the product and through the oven frame to give the correct venting and cooling for the oven and cabinet surround. Failure to seal cavity box may cause distortion of surrounding cabinetry.
- Read these instructions carefully before installing or using this product.

Before you start

- Ensure a suitable disconnection switch is incorporated in the permanent wiring, mounted and positioned to comply with the local wiring rules and regulations. A means of disconnection with at least a 3mm air gap contact separation in all poles must be incorporated into the fixed wiring in accordance with the wiring rules, unless the local wiring rules allow for the following variation. A means of disconnection from the supply having an air gap separation in all active (phase) conductors must be incorporated in to the fixed wiring.
- Ensure that the location of the oven connection socket is outside the installation space if the product is flush to the rear wall.
- Ensure the benchtop and the oven cavity are square and level.
- Ensure the electrician provides sufficient free length of mains cable to reach from the bottom rear of the cavity to at least 1.5 metres in front of the bottom edge of the opening. The cable may enter the cavity from the side, top or bottom, but top entry must be at the rear of the cavity.
- Use easy to clean finishes for the wall surfaces surrounding the oven and cooktop to aid in removal of any cooking fume staining resulting from the use of the oven and cooktop.
- Check the height from the floor suits the user.
- Ensure that drawers and doors will be clear of obstruction when fully opened.

Installation Instructions

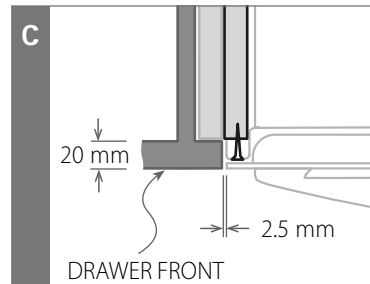
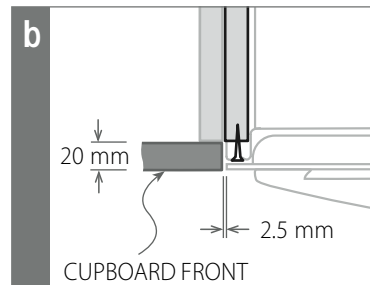
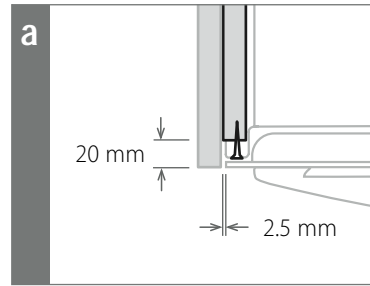
Installation instructions

- 1 Check that the oven cavity is square and within the limits in the installation dimensions.
- 2 Remove the mains wiring access cover.
- 3 Connect the mains wiring and replace the access cover.
- 4 Remove the oven door and accessories, lift and slide oven into place. When installing the oven it is essential to centre the product in the cavity giving a spacing of 2.5mm from the door edge to the joinery
- 5 Secure oven in cavity using the four 'wood screws' and washers supplied through the enamelled frame at either side of the oven as shown in the flush fitting installation options.
- 6 Test then refit the door and accessories, check that the oven is firmly secured in the kitchen unit.

Installing a cooktop above an oven

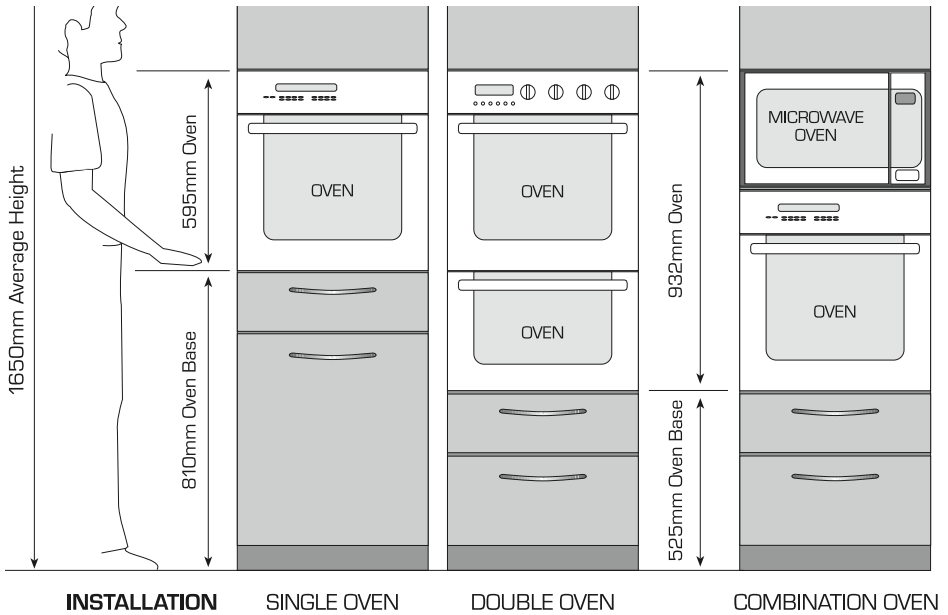
If installing a cooktop above the oven ensure adequate clearance is provided for the cooktop as per the Cooktop Manufacturers Instructions.

Flush fitting installation options



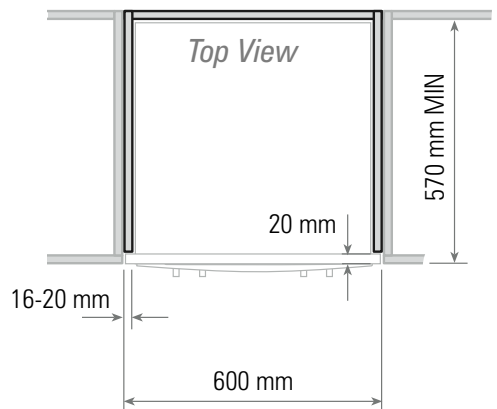
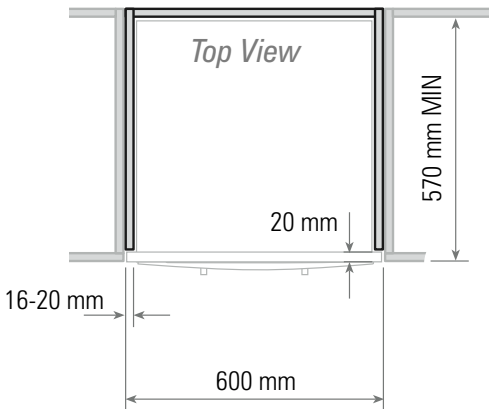
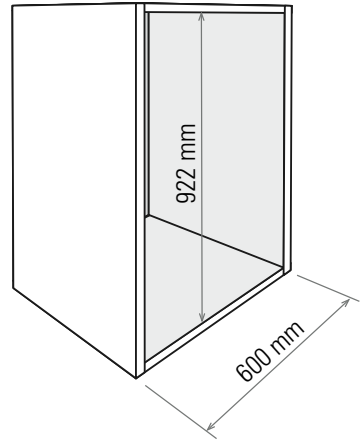
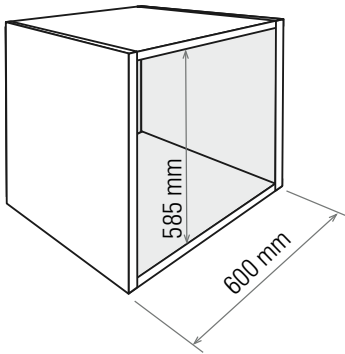
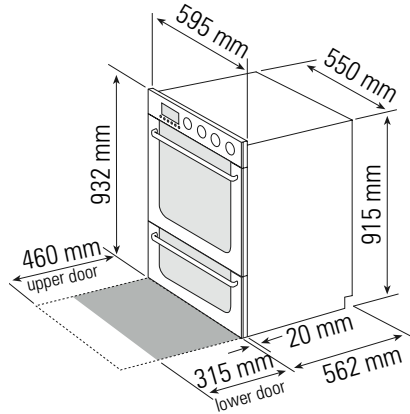
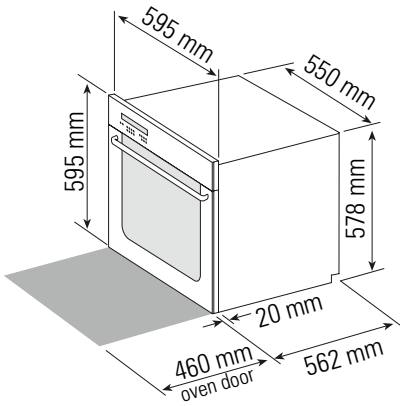
Height recommendation guide

Figures are based on an average height of 1650mm (5'5") wearing shoes. The height of the product may vary according to the height of the most frequent user.

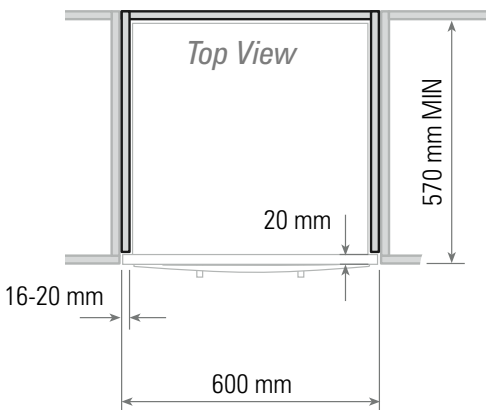
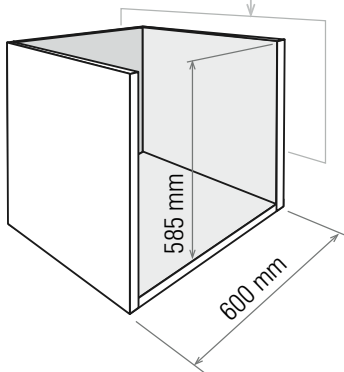
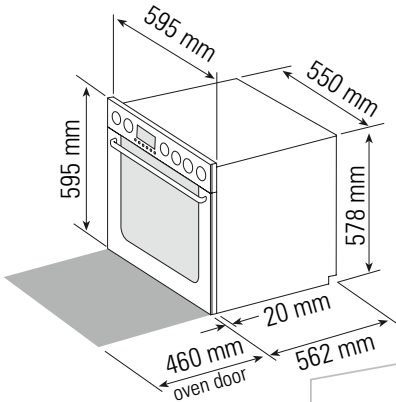


BI602 series Single Built-In Oven

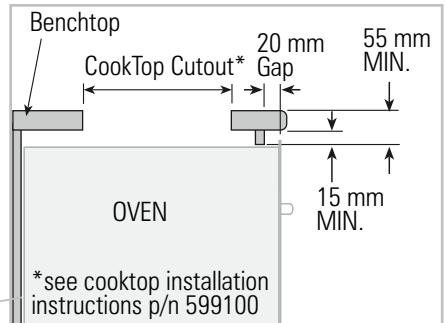
BI602ED series Double Built-In Oven



BI602CTE series Built-In Oven/Cooktop Combination



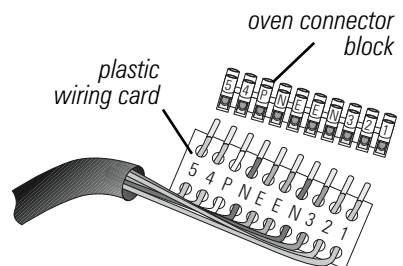
Benchtop Detail



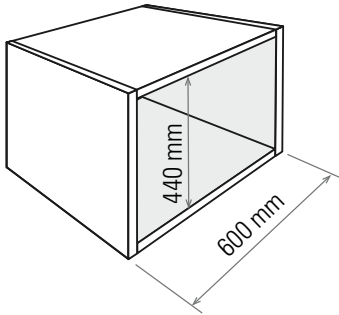
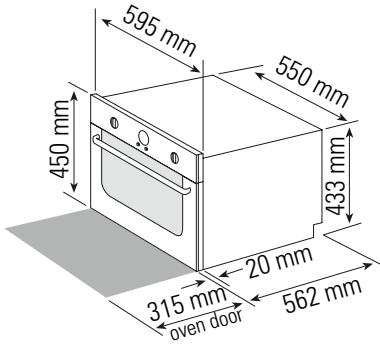
Cooktop Installation

- 1 Remove the brackets from the cooktop.
- 2 Place the cooktop in the cutout and secure using the brackets previously removed.
- 3 Feed the cooktop wiring harness out through the oven cavity.
- 4 Remove the oven connector block cover on the oven top wiring cover.
- 5 Connect the cooktop wiring harness lining the numbers/letters on the harness with the numbers/letters on the oven connector block. Leave plastic wiring card attached for future reference.
- 6 Clamp the wiring harness with the wiring clamp on the oven top wiring cover.
- 7 Replace the oven connector block cover.
- 8 Install the oven as described on page 2.

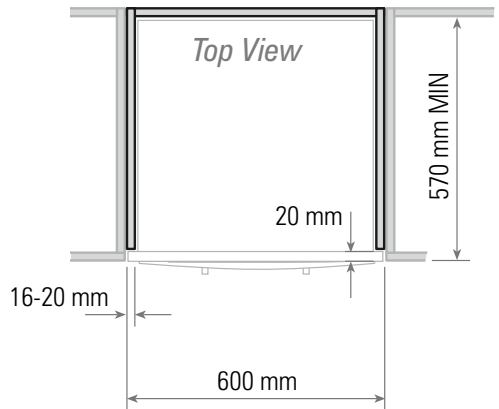
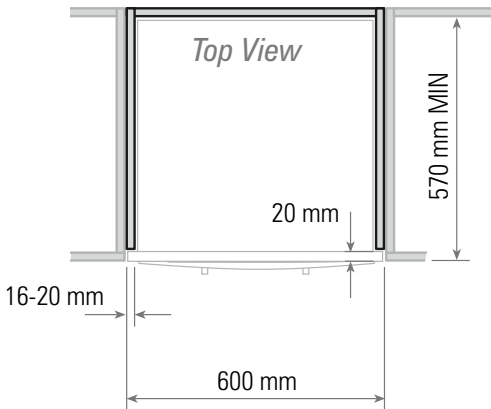
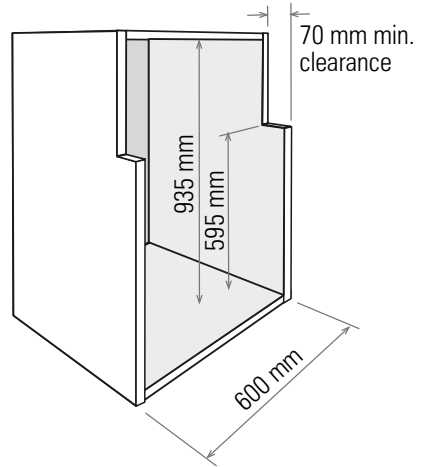
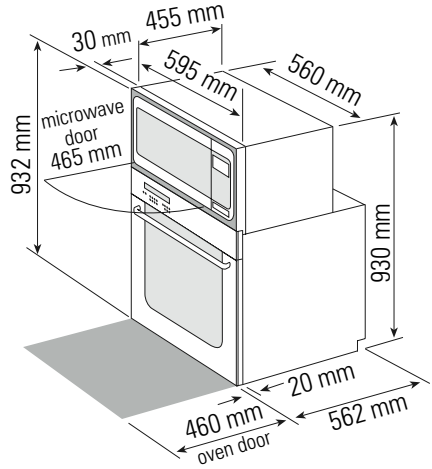
harness detail



BI452 series Compact Built-In Oven



BI602XC series Built-In Oven/Microwave Combination



Free Manuals Download Website

<http://myh66.com>

<http://usermanuals.us>

<http://www.somanuals.com>

<http://www.4manuals.cc>

<http://www.manual-lib.com>

<http://www.404manual.com>

<http://www.luxmanual.com>

<http://aubethermostatmanual.com>

Golf course search by state

<http://golfingnear.com>

Email search by domain

<http://emailbydomain.com>

Auto manuals search

<http://auto.somanuals.com>

TV manuals search

<http://tv.somanuals.com>