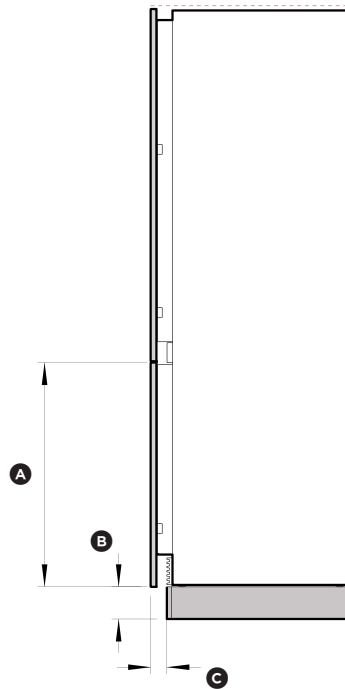
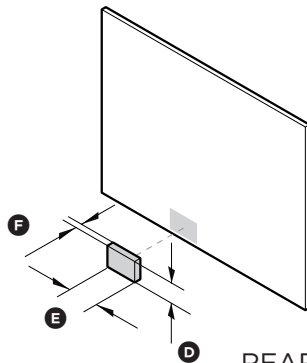


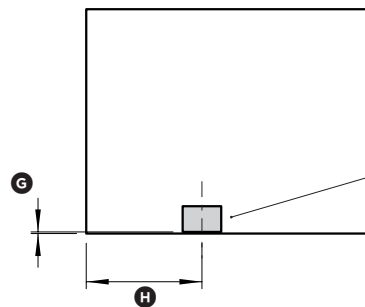
ISO VIEW



PROFILE VIEW



REAR VIEW OF BOTTOM PANEL



AIR SPLITTER BLOCK
OPTIMISES AIR FLOW IN
AND OUT OF GRILLE

ALTERNATIVE INSTALLATION

900mm ActiveSmart™ Slide-in Refrigerator

Model no:
RS90A1

Custom Panel Dimensions	mm
Ⓐ Height of bottom drawer panel	698
Ⓑ Minimum height of toe-kick panel*	50
Ⓒ Minimum depth of toe-kick panel	50

* The bottom drawer panel can be extended lower to cover the grille. However in this installation scenario the product needs to be raised a minimum of 50mm from the floor to allow for adequate air supply.

Note: this alternative installation will cause some restriction of air supply so the fridge will not be operating at its optimum energy performance levels.

Additional Part (Air Splitter) Dimensions	mm
Ⓓ Overall height of block	80
Ⓔ Overall width of block	120
Ⓕ Overall depth of block	25
Ⓖ Height from bottom of door panel to bottom of block*	5
Ⓗ Distance from left edge of panel to centre of block**	360

* Presumes door panel height of 698mm

** Note measurement given from left when panel viewed from rear

Block to be manufactured and fitted by cabinetmaker, it can be constructed out of MDF or similar material

Bottom door panel and block need to be adequately sealed to withstand moisture (50OC @ 80% RH). The back and sides of the panel should be completely sealed with a waterproof vapour barrier (ie polyurethane) to prevent damage to the panel

INDICATES CAVITY CLEARANCES -----

DATE: 11.06.2015

IMPORTANT NOTE: Throughout this guide, dimensions may vary by $\pm 2\text{mm}$ ($3/32''$). Please read the installation manual for detailed information on installing the product. www.fisherpaykel.com

Fisher & Paykel

Free Manuals Download Website

<http://myh66.com>

<http://usermanuals.us>

<http://www.somanuals.com>

<http://www.4manuals.cc>

<http://www.manual-lib.com>

<http://www.404manual.com>

<http://www.luxmanual.com>

<http://aubethermostatmanual.com>

Golf course search by state

<http://golfingnear.com>

Email search by domain

<http://emailbydomain.com>

Auto manuals search

<http://auto.somanuals.com>

TV manuals search

<http://tv.somanuals.com>