



# DODGE

## RAM TRUCK



Product features and decoration may vary from the picture above.

**Please read this manual and save it with your original sales receipt.**

Tools needed for assembly: Phillips Screwdriver, Hammer, Safety Scissors  
and Slotted Screwdriver (tools not included).

Use only with a Power Wheels® Type H 6 Volt Battery, Power Wheels® 25 Amp Fuse  
and Power Wheels® Type H 6 Volt Charger (all included).

Dodge is a registered trademark of DaimlerChrysler Corporation. Dodge® Ram Truck  
and its trade dress are used under license from DaimlerChrysler.

© DaimlerChrysler Corporation 2001.

Goodyear (and winged foot design) and Wrangler (for tires) are trademarks of the  
Goodyear Tire and Rubber Company, used with permission.

Fisher-Price, Power Wheels, Power Wheels by Fisher-Price and Power Lock  
are U.S. trademarks of Mattel, Inc.

[www.powerwheels.com](http://www.powerwheels.com)



## Owner's Manual with Assembly Instructions

For Model 73520

## Table of Contents

|          |                                    |     |
|----------|------------------------------------|-----|
| <b>A</b> | Important Information              | .2  |
| <b>B</b> | Warnings and Cautions              | .3  |
| <b>C</b> | Parts                              | .4  |
| <b>D</b> | Parts Diagram                      | .7  |
| <b>E</b> | Battery Charging                   | .8  |
| <b>F</b> | Assembly                           | .10 |
| <b>G</b> | Label Decoration                   | .22 |
| <b>H</b> | Battery Installation               | .24 |
| <b>I</b> | Battery Care and Disposal          | .26 |
| <b>J</b> | Caring For Your Vehicle            | .26 |
| <b>K</b> | Rules For Safe Driving             | .27 |
| <b>L</b> | How to Operate Your Vehicle        | .28 |
| <b>M</b> | FCC Statement (United States Only) | .28 |
| <b>N</b> | Statement of Limited Warranty      | .29 |
| <b>O</b> | Problems and Solutions Guide       | .29 |
| <b>P</b> | Authorized Service Centers         | .32 |

# A

## Important Information

- Your new vehicle requires adult assembly. Please set aside at least 45 minutes for assembly.
- You must charge your battery for 18 - 30 hours **before you use your vehicle for the first time**. We recommend that you start charging your battery before beginning assembly. Please see Battery Charging beginning on page 8 for detailed instructions.
- Read this manual carefully for important safety information and operating instructions before using your vehicle. Keep these instructions for future reference as they contain important information.
- Use this vehicle **ONLY** outdoors. Most interior flooring can be damaged by riding this vehicle indoors. Fisher-Price® will not be responsible for damage to floors if the vehicle is used indoors.
- This vehicle is designed for use on: asphalt and other hard surfaces; on generally level terrain; and by children 1½ - 4 years of age.
- Make sure children know and follow these rules for safe driving and riding:
  - always sit on the seat.
  - always wear shoes.
  - only 1 (one) rider at a time.
- To prevent damaging the motors and gears, do not tow anything behind the vehicle or overload it. Do not exceed the maximum weight capacity of 50 lbs (23 kg).
- If you have any questions about your Power Wheels® vehicle, please call our toll-free service lines at **1-800-348-0751** from 8 AM to 6 PM (EST) Monday through Friday. Trained customer service representatives are available to take your call in English or French. Habla Español? Si usted tiene alguna pregunta ó necesita asistencia llame gratis **1-800-348-0755** para los Estados Unidos. Tenemos representantes que hablan español para atender su llamada.
- For your convenience, Power Wheels® maintains an Authorized Service Center Network with more than 400 authorized service centers nationwide. Our authorized service centers will repair or replace parts under warranty at no extra charge, and can perform non-warranty repairs for a minimal charge. Please see the Authorized Service Center list beginning on page 32 to find the authorized service center nearest you, or call **1-800-348-0751**.
- Please complete and return the enclosed Registration Card today, or call **1-800-348-0751** to register your vehicle by phone.

**B****Warnings and Cautions****ELECTRICAL HAZARD** **WARNING**

- Battery can fall out and injure a child if vehicle tips over. Always use battery clamp.
- **PREVENT FIRE**
  - Do not bypass a Power Wheels® fuse. It is a safety device.
  - Use only a Power Wheels® 25 Amp fuse.
  - Never modify the electrical system. Alterations could cause a fire resulting in serious injury and could also ruin the electrical system.
  - Use of the wrong type battery or charger could cause a fire or explosion resulting in serious injury.
  - Use of Power Wheels® components in products other than Power Wheels® vehicles could cause overheating, fire or explosion.
- The battery must be handled by adults only. The battery is heavy and contains sulfuric acid (electrolyte). Dropping the battery could result in serious injury.
- Never allow children to charge the battery. Battery charging must be done by adults only. A child could be injured by the electricity involved in charging the battery.
- Never lift or carry the battery by the wires or connector. This can damage the battery and possibly cause a fire resulting in serious injury. Lift and carry the battery by the case only.
- Read the safety instructions on the battery.
- Examine the battery, charger and their connectors for excessive wear or damage each time you charge the battery. If damage or excessive wear is detected, do not use the charger or the battery until you have replaced the worn or damaged part.
- **HOT** motors. Handle carefully.

**RIDING HAZARD** **WARNING**

- **Prevent Injuries and Deaths**
  - Direct Adult Supervision Required
  - Keep Children Within Safe Riding Areas.  
These areas must be:
    - away from swimming pools and other bodies of water to prevent drownings
    - generally level to prevent tipovers
    - away from steps, driveways, roads and alleys.

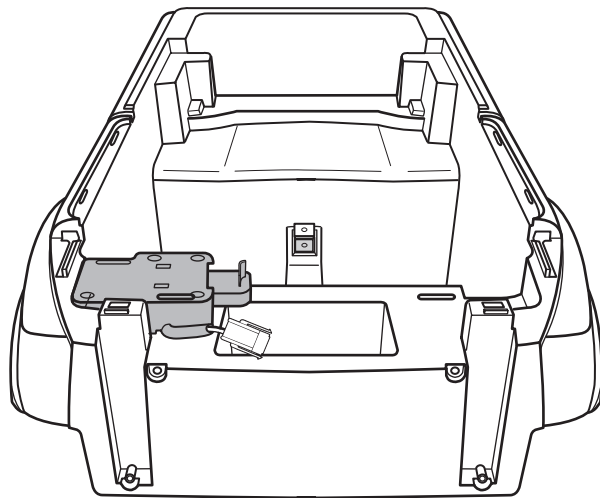
 **CAUTION**

- In the unassembled state, this package contains small parts. Adult assembly is required.
- Use the charger in dry locations only.

# C

## Parts

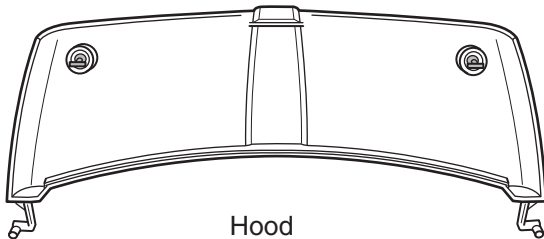
- If you experience a problem with this product, or are missing a part, please call us at **1-800-348-0751**, rather than return this product to the store.
- Please identify all parts before assembly and save all packaging material until assembly is complete to ensure that no parts are discarded.
- Metal parts have been coated with a lubricant to protect them during shipment. Wipe all metal parts with a paper towel to remove any excess lubricant.



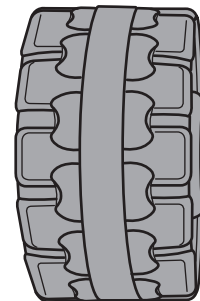
Vehicle Body



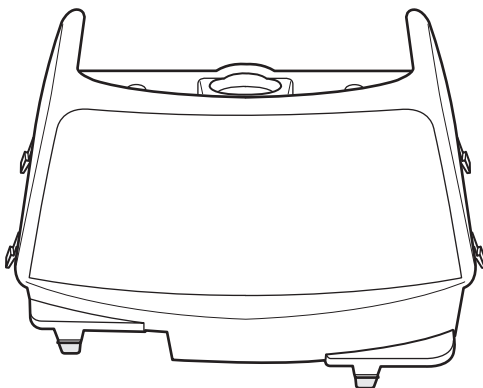
Front Wheel (with Rib) - 2



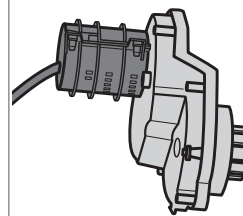
Hood



Rear Wheel - 2

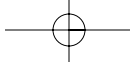


Cab



Motor

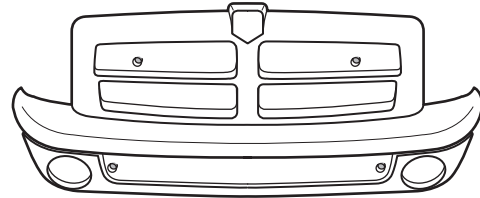
**Note:** The motor is temporarily fastened to the inside of the vehicle body. Refer to step 1 in the Assembly section, page 10.



# Parts



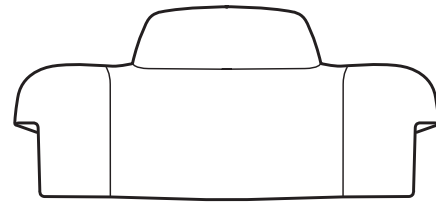
Rear Axle



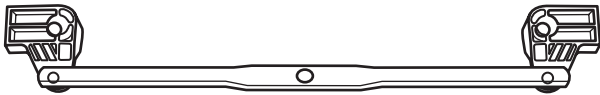
Grille



Steering Column



Seat



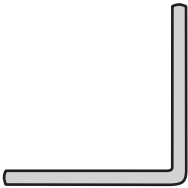
Steering Linkage



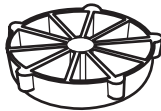
Assembly Tool



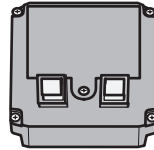
Axle Support - 2



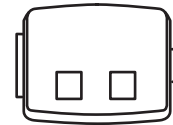
Front Axle - 2



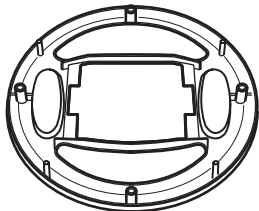
Driver



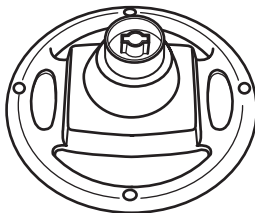
Sound Box



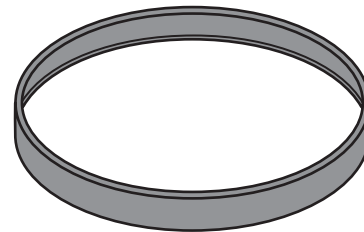
Steering Wheel Cover



Steering Wheel Top

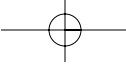


Steering Wheel Bottom




Traction Band - 2






# Parts


**\*Note:** For your convenience, an extra 25 amp fuse is included.




Spacer




Post Bushing - 2




Black Round Bushing  
(with Large Hole) - 3




Rectangular Bushing  
(with Circular Opening) - 2




Key Assembly




White Round Bushing  
(with Small Hole) - 2



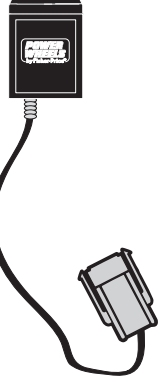
Rectangular Bushing  
(with Rectangular Opening) - 2



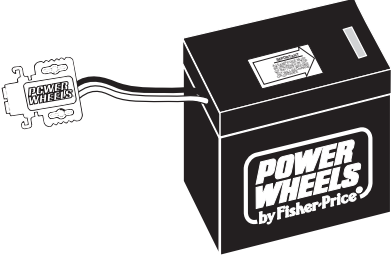
Knob - 2



25 Amp Fuse\*



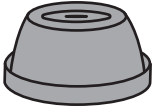
6 Volt Charger




6 Volt Battery

**Not Shown:** Label Sheet - 2


**\*Note:** For your convenience, one extra .437 cap nut and two extra .354 cap nuts are included.



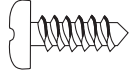
.437 (Large) Cap Nut - 2\*



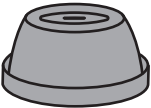
.437"




#8 x 3/4" Screw - 12



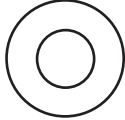
#10 x 1/2" Screw



.354 (Small) Cap Nut - 6\*



.354"

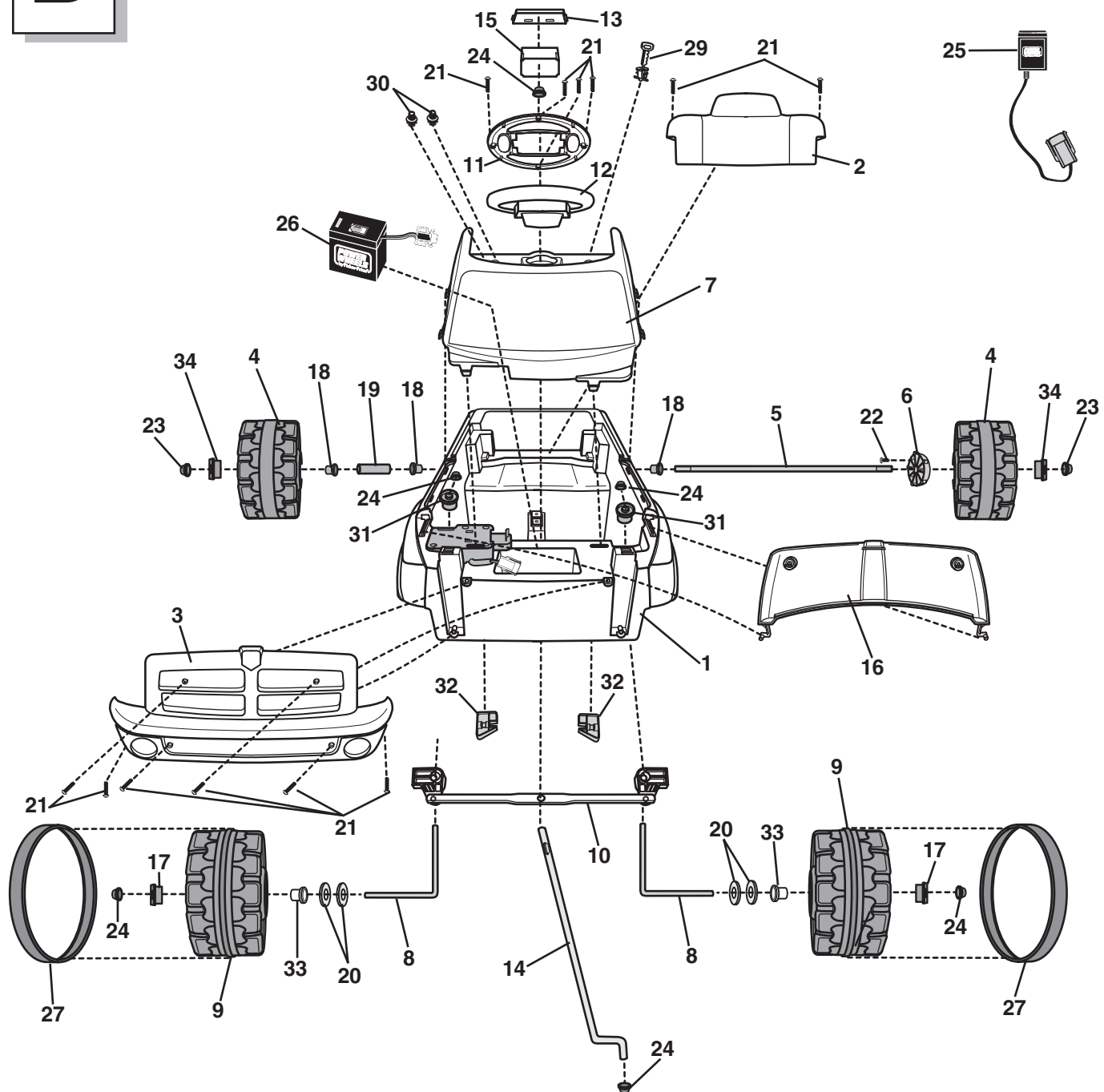


Washer - 4

All Shown Actual Size





**D****Parts Diagram**

- |                               |   |  |
|-------------------------------|---|--|
| 1. Vehicle Body               | 15. Sound Box                                       | 26. 6 Volt Battery   |
| 2. Seat                       | 16. Hood  | 27. Traction Band - 2  |
| 3. Grille                     | 17. Rectangular Bushing<br>(with Circular Hole) - 2 | 28. 25 Amp Fuse  |
| 4. Rear Wheel - 2             | 18. Black Round Bushing<br>(with Large Hole) - 3    | 29. Key Assembly   |
| 5. Rear Axle                  | 19. Spacer  | 30. Knob - 2   |
| 6. Driver                     | 20. Washer - 4                                      | 31. Post Bushing - 2   |
| 7. Cab                        | 21. #8 x 3/4" Screw - 12                            | 32. Axle Support - 2   |
| 8. Front Axle - 2             | 22. #10 x 1/2" Screw                                | 33. White Round Bushing<br>(with Small Hole) - 2             |
| 9. Front Wheel (with Rib) - 2 | 23. .437 Cap Nut - 2                                | 34. Rectangular Bushing<br>(with Rectangular Opening) - 2    |
| 10. Steering Linkage          | 24. .354 Cap Nut - 6                                |  |
| 11. Steering Wheel Top        | 25. 6 Volt Charger                                  |  |
| 12. Steering Wheel Bottom     |   |  |
| 13. Steering Wheel Cover      |   |  |
| 14. Steering Column           |   |  |
|                               |   | <b>Not Shown</b> - Label Sheet - 2<br>Motor<br>Assembly Tool |

**E****Battery Charging****ELECTRICAL HAZARD****⚠ WARNING**

- Battery can fall out and injure a child if vehicle tips over. Always use battery clamp.
- **PREVENT FIRE**
  - Do not bypass a Power Wheels® fuse. It is a safety device.
  - Use only a Power Wheels® 25 Amp fuse.
  - Never modify the electrical system. Alterations could cause a fire resulting in serious injury and could also ruin the electrical system.
  - Use of the wrong type battery or charger could cause a fire or explosion resulting in serious injury.
  - Use of Power Wheels® components in products other than Power Wheels® vehicles could cause overheating, fire or explosion.
- The battery must be handled by adults only. The battery is heavy and contains sulfuric acid (electrolyte). Dropping the battery could result in serious injury.
- Never allow children to charge the battery. Battery charging must be done by adults only. A child could be injured by the electricity involved in charging the battery.
- Never lift or carry the battery by the wires or connector. This can damage the battery and possibly cause a fire resulting in serious injury. Lift and carry the battery by the case only.
- Read the safety instructions on the battery.
- Examine the battery, charger and their connectors for excessive wear or damage each time you charge the battery. If damage or excessive wear is detected, do not use the charger or the battery until you have replaced the worn or damaged part.

**⚠ CAUTION**

Use the charger in dry locations only.

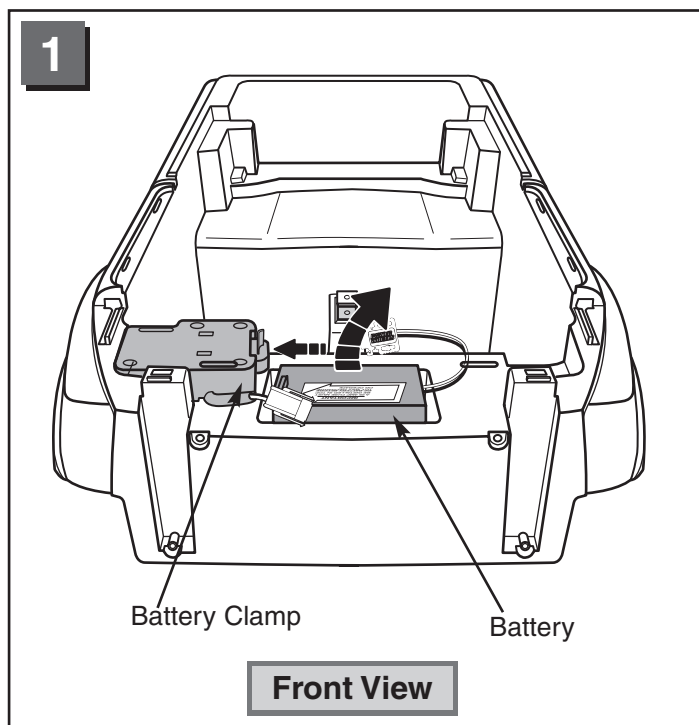
**Important Notes**

- **Your new battery must be charged for at least 18 hours before you use it in your vehicle for the first time.**
- We recommend that you start charging your battery before beginning assembly of your new vehicle.
- The battery must be upright while charging.
- The charger is not a toy.
- Do not short circuit the battery.
- You do not need to remove the battery from your vehicle to recharge it.
- Before charging the battery, examine the battery case for cracks or other damage which may allow sulfuric acid (electrolyte) to leak during the charging process. Never attempt to charge a damaged battery. If damage is detected, do not charge the battery or use it in your vehicle. Battery acid is very corrosive and can cause severe damage to surfaces it contacts. Take precautions to protect any surface on which you charge the battery.
- Do not charge the battery on a surface (such as kitchen countertops) which could be damaged by the acid contained inside the battery. Take precautions to protect the surface on which you charge your battery.
- Use only a Power Wheels® Type H 6 volt charger (120 VAC, 60 Hz, 12W with an output of 6 VDC, 4.8W, 800 mA) to charge your Power Wheels® 6 volt battery.
- If your battery is old and will not accept a charge, do not leave it in the vehicle. Always remove a dead battery from the vehicle.

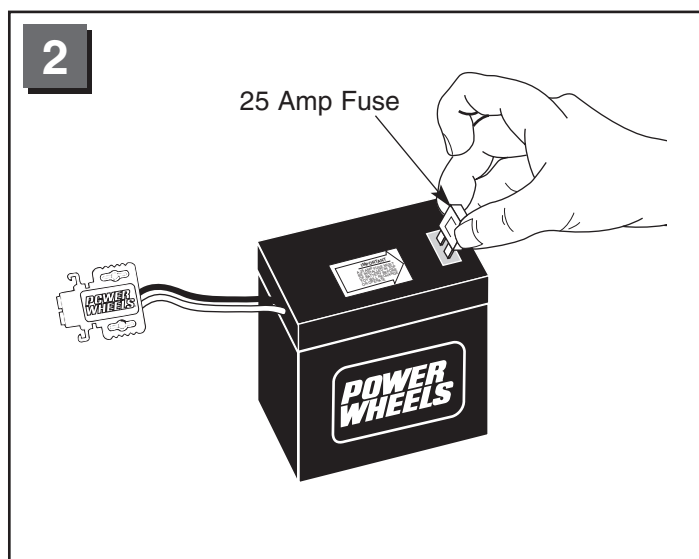


## Battery Charging

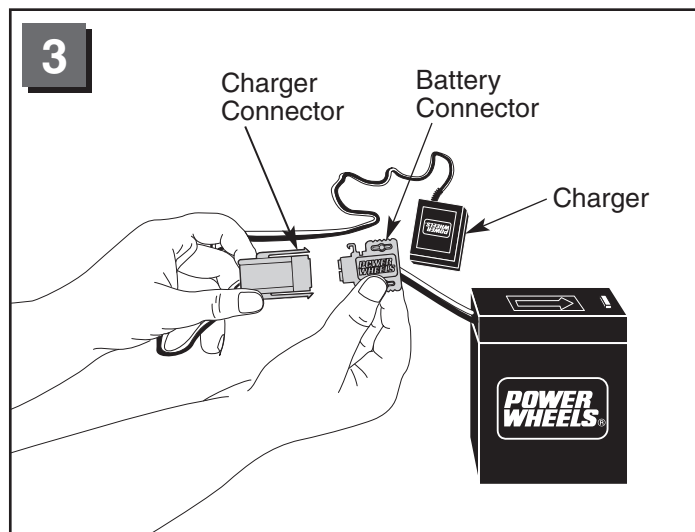
**IMPORTANT!** The battery must be removed from your vehicle for the initial charge in order to complete assembly. After assembly is complete, you do not need to remove the battery from your vehicle to recharge it.



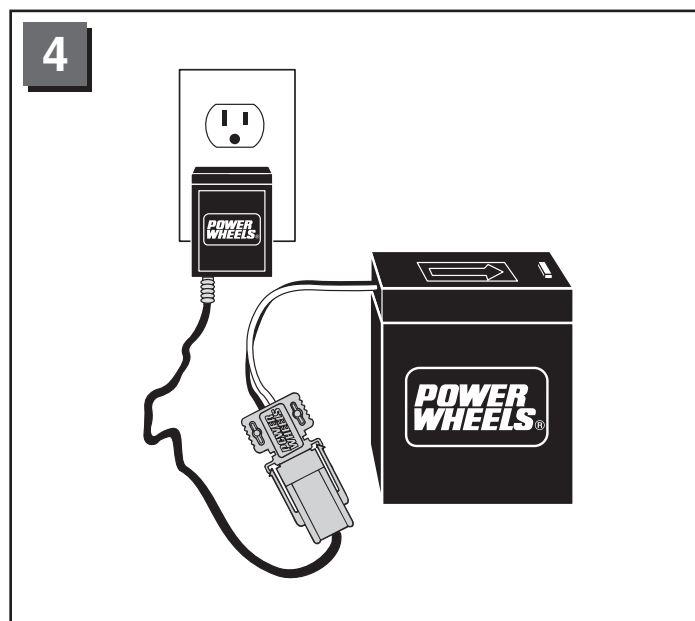
- While pushing the battery clamp, lift and remove the battery from the battery compartment.
- Remove and throw away the protective cardboard material.



- Insert a Power Wheels® 25 amp fuse into the battery.
- Note:** The top of the fuse will not be flush with the top of the battery when properly installed.



- Plug the battery connector into the charger connector.



- Plug the charger into a standard 120 volt wall outlet.

**Note:** If power flow to the wall outlet is controlled by a switch, make sure the switch is ON.

- Before first time use, charge the battery for at least 18 hours. Never charge the battery longer than 30 hours.

**Note:** The battery must be upright while charging.

- Recharge the battery after each use of your vehicle for at least 14 hours. Do not charge the battery longer than 30 hours.

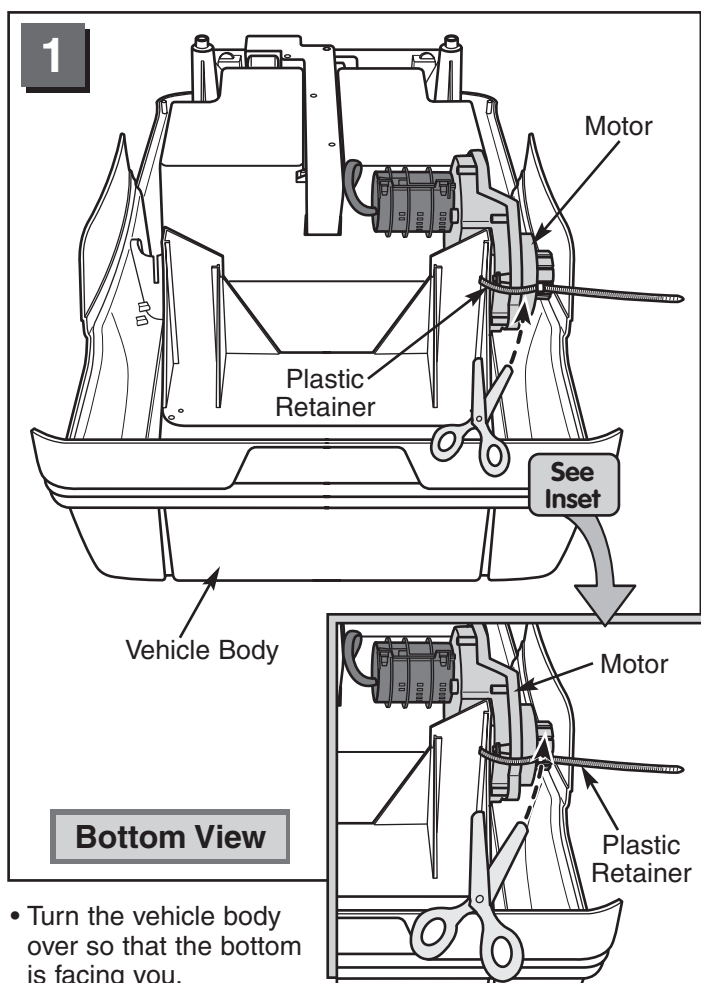
- Once the battery is charged, disconnect the charger connector from the battery connector. Unplug the charger from the wall outlet. The battery is now ready to be installed in your vehicle. Please see "Battery Installation" on page 24 for detailed instructions on installing your battery. If your battery is already installed in your vehicle, simply re-connect the battery connector and motor harness connector and lower the hood. Using a slotted screwdriver, turn each lock fastener  $\frac{1}{4}$  turn to the locked **ⓘ** position.

# F

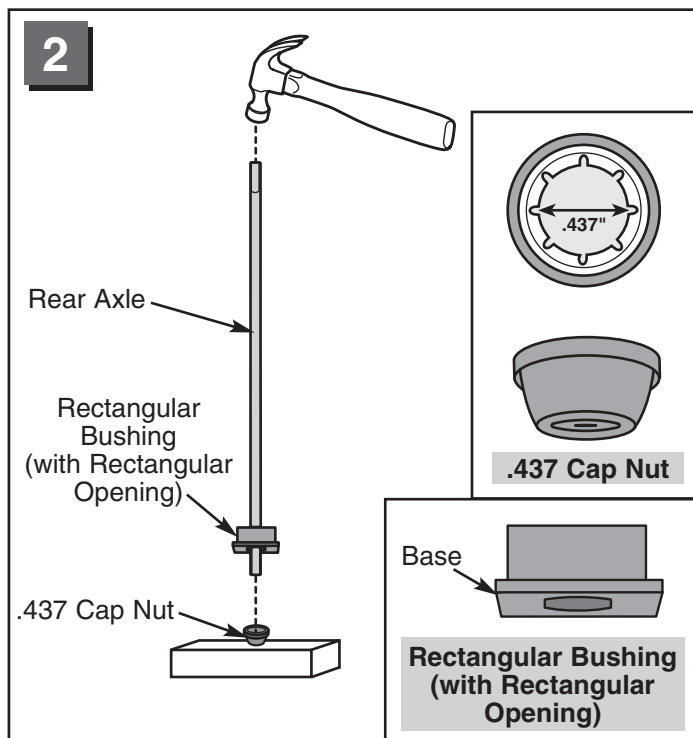
## Assembly

### ! WARNING

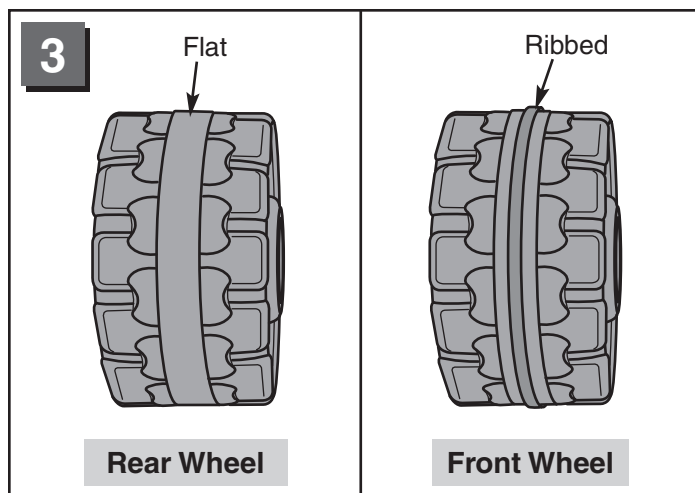
Children can be harmed by small parts, sharp edges and sharp points in the vehicle's unassembled state, or by electrical items. Care should be taken in unpacking and assembly of the vehicle. Children should not handle parts, including the battery, or help in assembly of the vehicle.



- Turn the vehicle body over so that the bottom is facing you.
- Using safety scissors, cut the plastic retainer holding the motor in place.
- Throw away the plastic retainer.

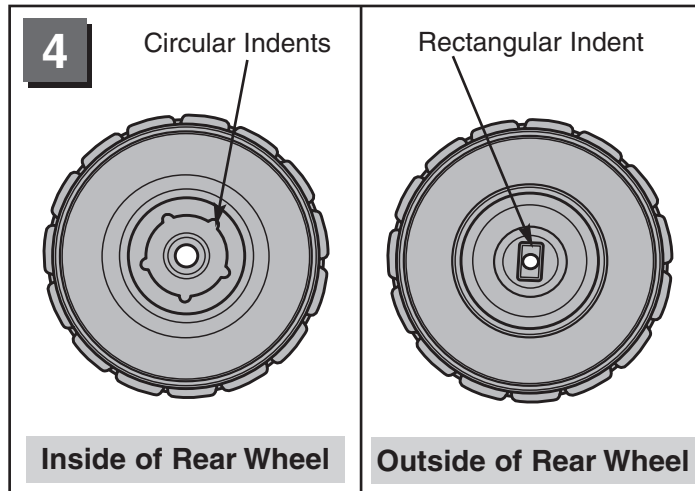


- Fit a rectangular bushing (with rectangular opening) onto the end of the rear axle. Make sure the base on the rectangular bushing is down, as shown.
  - Place a cap nut on a flat surface, inside up, as shown.
- Hint:** You may want to place a scrap block of wood underneath the cap nut to protect the assembly surface.
- Fit the rear axle into the cap nut.
  - Tap the opposite end of the rear axle with a hammer to secure the cap nut in the rear axle. Pull on the cap nut to be sure it is secure.
  - Set the rear axle assembly aside for Assembly step 6.

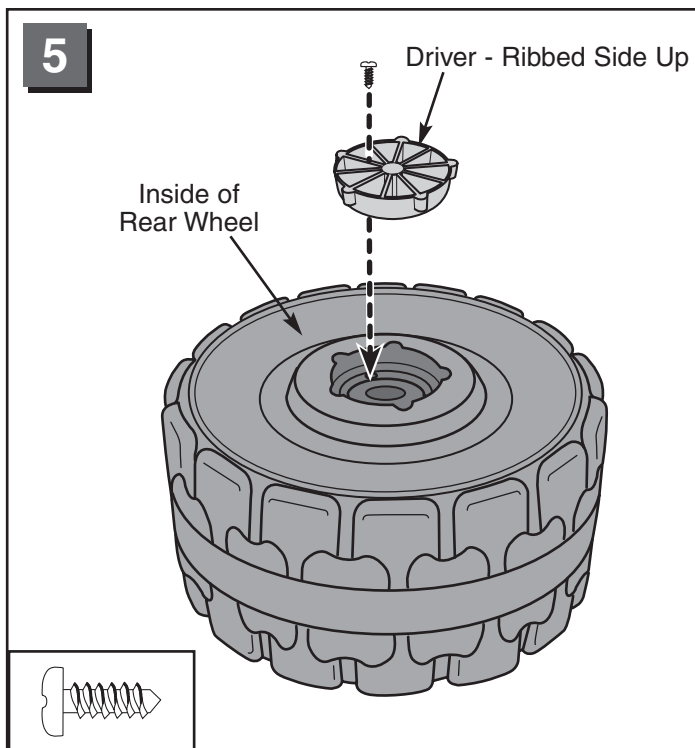


- Identify the rear wheels and the front wheels.
  - **Rear wheels** have a **flat** center tread.
  - **Front wheels** have a **ribbed** center tread.
- Select a rear wheel (with flat center tread) and go onto Assembly step 4.

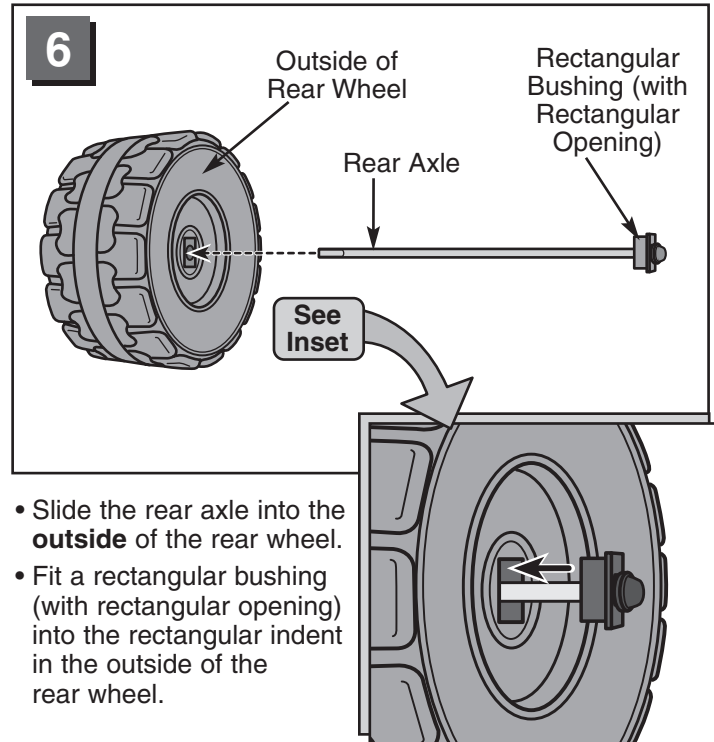
## Assembly



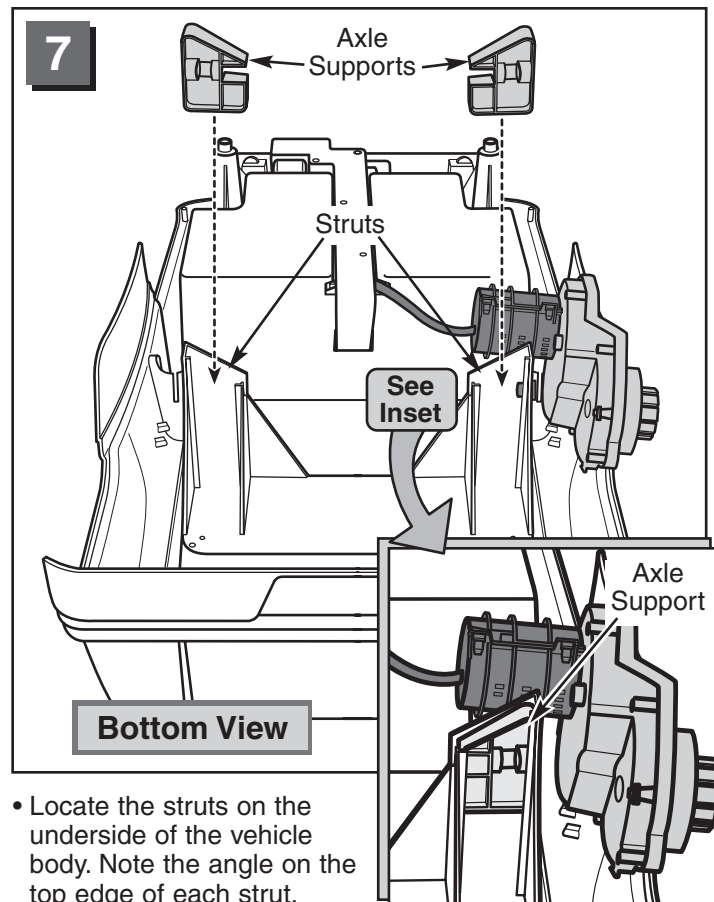
- Identify the inside and the outside of the rear wheel.
  - **Inside** of rear wheel has **circular** indents.
  - **Outside** of rear wheel has a **rectangular** indent.
- Turn the rear wheel so that the inside of the wheel is face up.



- Position the driver so that the ribbed side is up.
- Fit the driver into the **inside** of a rear wheel, as shown.
- Insert a #10 x 1/2" screw through one of the the holes in the driver. Tighten the screw with a Phillips screwdriver. Do not over-tighten.



- Slide the rear axle into the **outside** of the rear wheel.
- Fit a rectangular bushing (with rectangular opening) into the rectangular indent in the outside of the rear wheel.



- Locate the struts on the underside of the vehicle body. Note the angle on the top edge of each strut.
- Position the axle supports so that the top edge angle matches the top edge angles of the struts.
- Fit an axle support into each of the struts. **Be sure the hole in each axle support aligns with the holes in the struts.**

11

# Assembly

**8**

Black Round Bushing, Axle Support, Black Round Bushing, Struts, See Inset

**Bottom View**

Barrel Side

Black Round Bushing

Axle Support, Black Round Bushing, Strut

- Insert a black round bushing (with large hole), **barrel side first**, through the outside edge of each strut and into each axle support, as shown.

**9**

Motor, Wheel Well, Strut, See Inset

**Bottom View**

Motor, Strut, Wheel Well

- Fit the motor between the strut and the wheel well of the vehicle body.

**10**

Axle Support, Motor, Rear Wheel Driver (Inside Rear Wheel), Motor Teeth, Rear Axle, Strut, See Inset

**Bottom View**

- Fit the end of the rear axle assembly through the motor, strut and axle support.
- Align the ribs on the rear wheel driver with the motor teeth. Fit the rear wheel driver to the motor teeth.

**11**

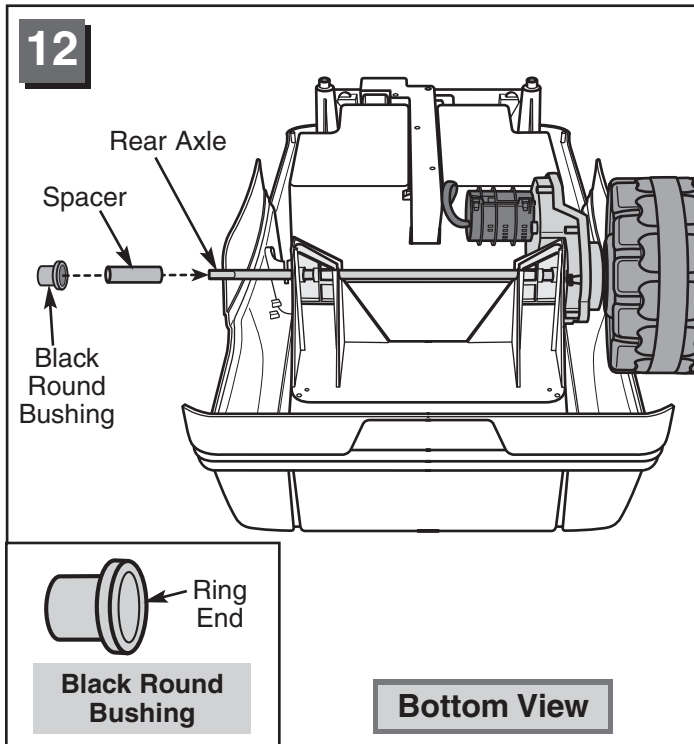
Axle Support, Rear Axle, Strut, See Inset

**Bottom View**

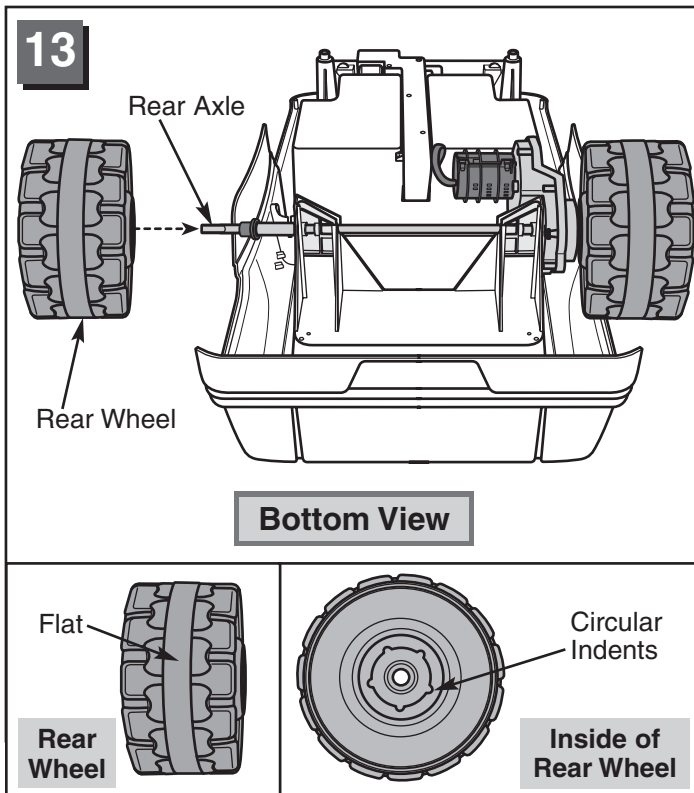
- Continue to insert the rear axle through the other strut and axle support.

**12**

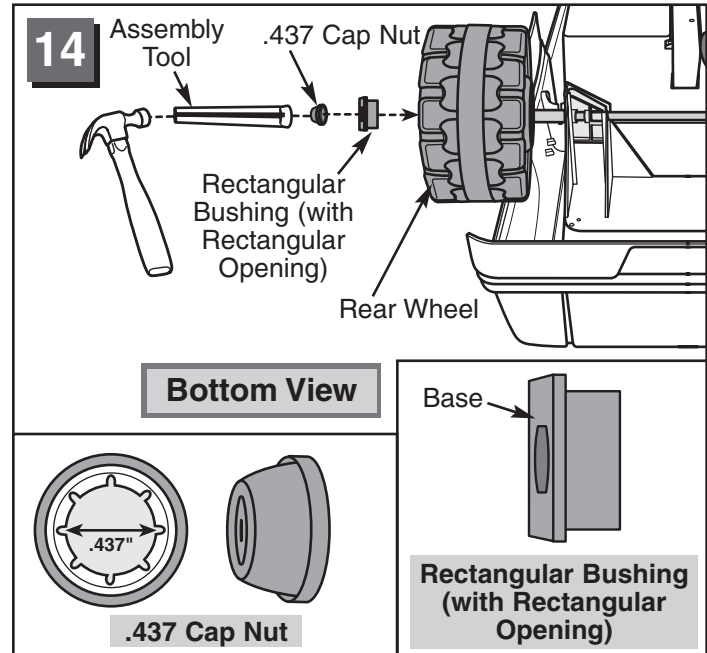
## Assembly



- Slide the spacer onto the rear axle.
- Slide a black round bushing (with large hole), **ring end first**, onto the end of the rear axle.



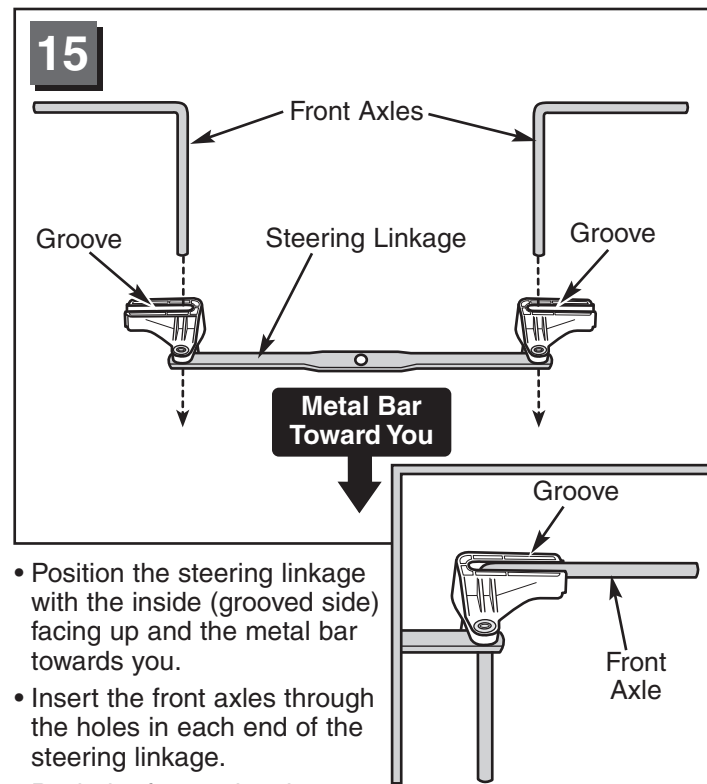
- Identify the other **rear wheel** (with **flat** center tread).
- Identify the **inside** of the rear wheel (with **circular** indents).
- Slide the other rear wheel, **inside first**, onto the end of the rear axle.



- Fit a rectangular bushing (with rectangular opening) into the rectangular indent in the outside of the rear wheel.
- Fit a .437 cap nut onto the end of the rear axle.
- While supporting the other end of the rear axle, cover the cap nut with the assembly tool. Tap the assembly tool with a hammer until the cap nut is secure on the rear axle.

**Hint:** You may need the help of another adult to support the rear axle.

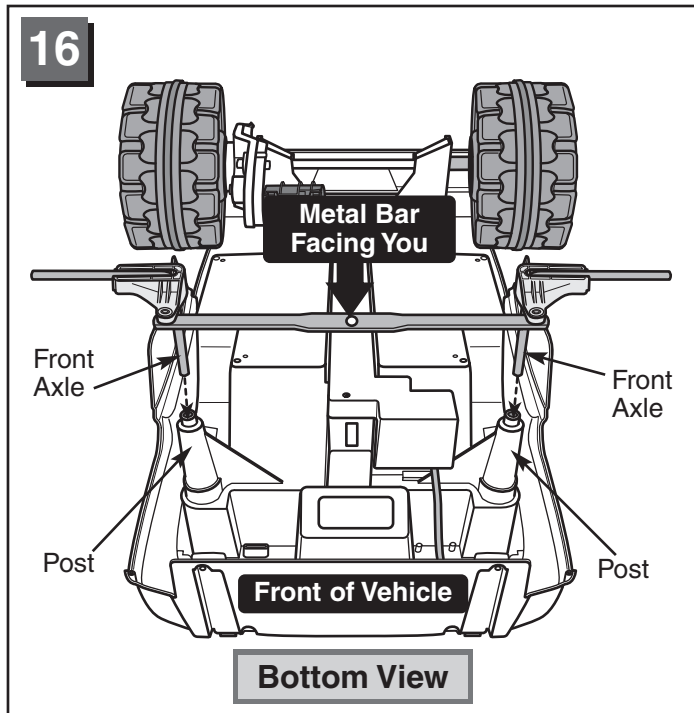
- Remove the assembly tool. Pull on the cap nut to be sure it is secure on the rear axle.



- 13**
- Push the front axles down so that they fit completely in the steering linkage grooves.

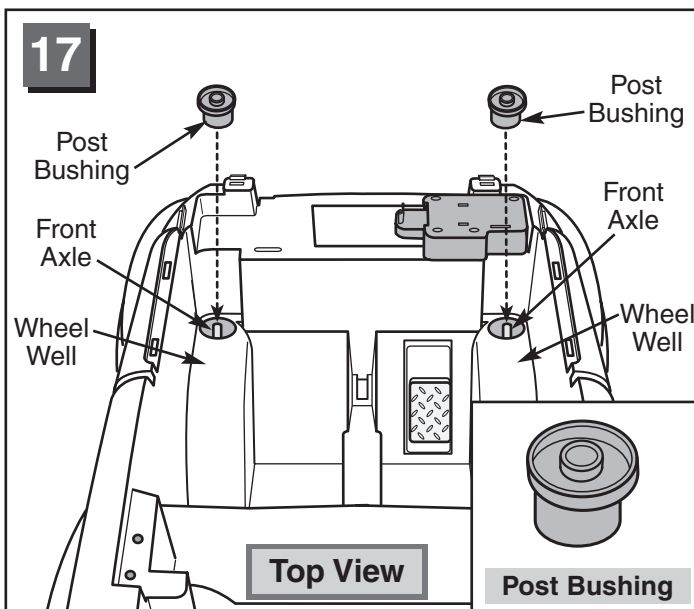


## Assembly

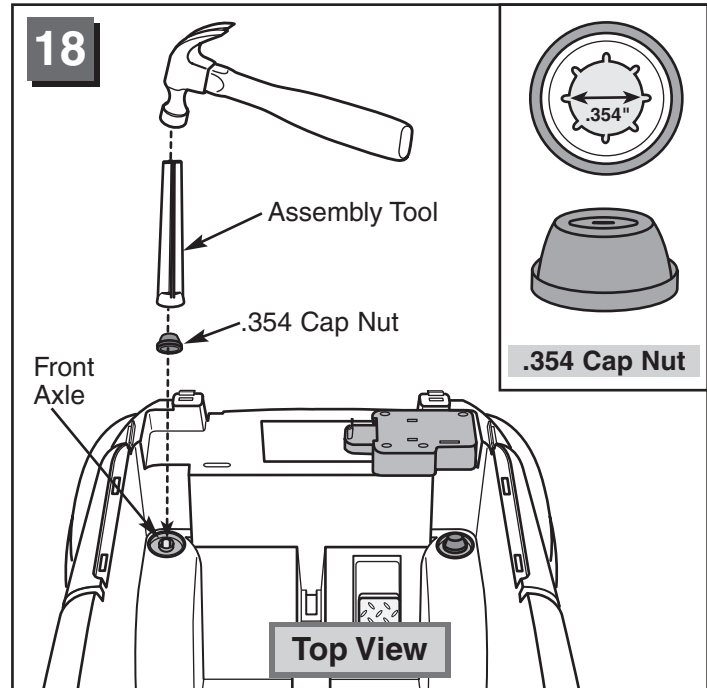


- Be sure the front end of the vehicle is facing you.
- Position the steering linkage so that the metal bar is facing you.
- Insert the front axles into the posts in the bottom of the vehicle body.

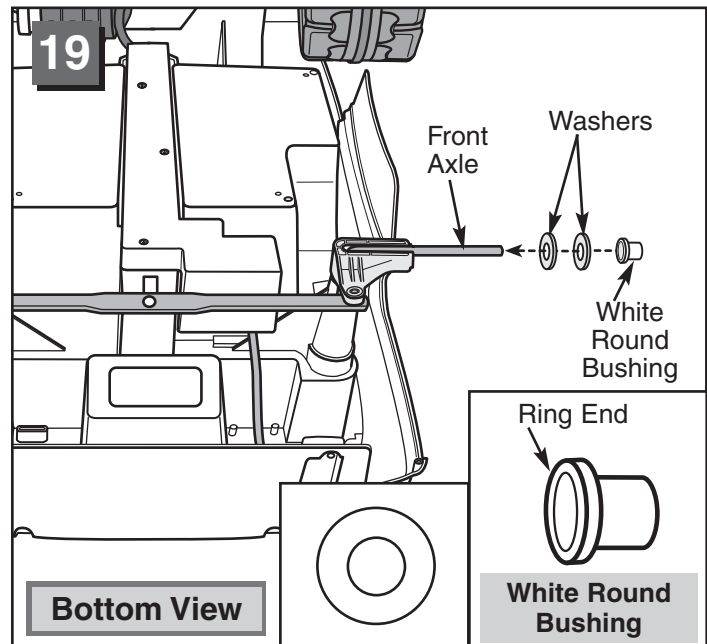
**IMPORTANT!** Make sure the metal bar on the steering linkage faces you.



- While holding the front steering linkage in place, carefully turn the vehicle upright.
- Hint:** You may need the help of another adult to turn the vehicle upright.
- Insert a post bushing, narrow side down, into the holes in the front wheel wells and onto the front axles, as shown.



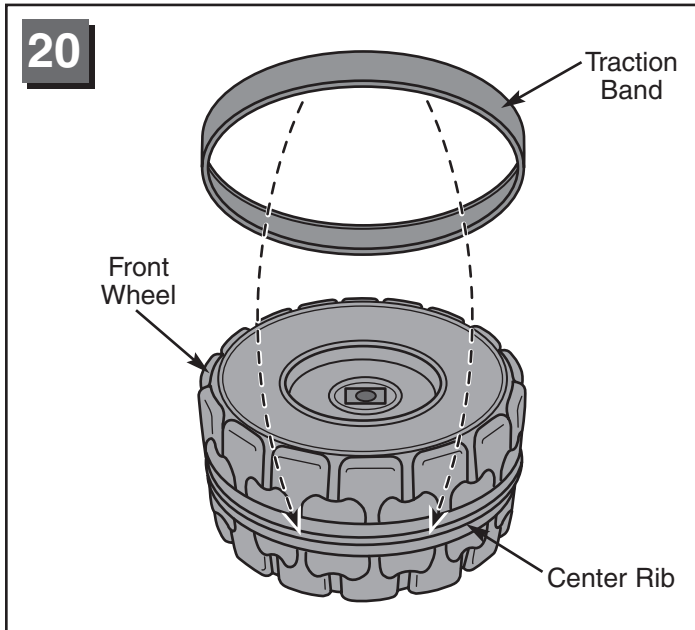
- Fit a .354 cap nut on the end of a front axle.
- Cover the cap nut with the assembly tool and tap it with a hammer until the cap nut is secure on the front axle.
- Remove the assembly tool. Pull on the cap nut to be sure it is secure on the front axle.
- Repeat this procedure to assemble a .354 cap nut to the end of the other front axle.



- Turn the vehicle body over so that the bottom faces you.
  - Slide two washers onto one of the front axles.
  - Slide a white round bushing (with small hole), **ring end first**, onto the front axle.
- 14** • Repeat this procedure to attach two washers and the other white round bushing to the other front axle.

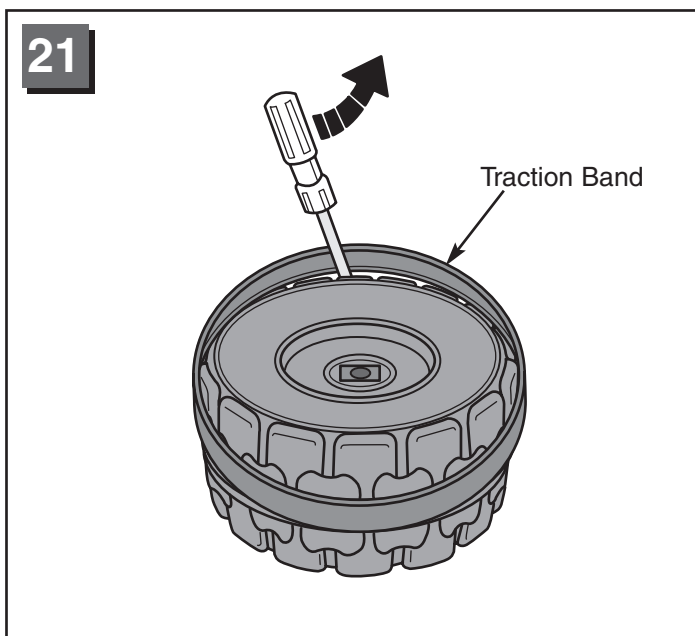


## Assembly

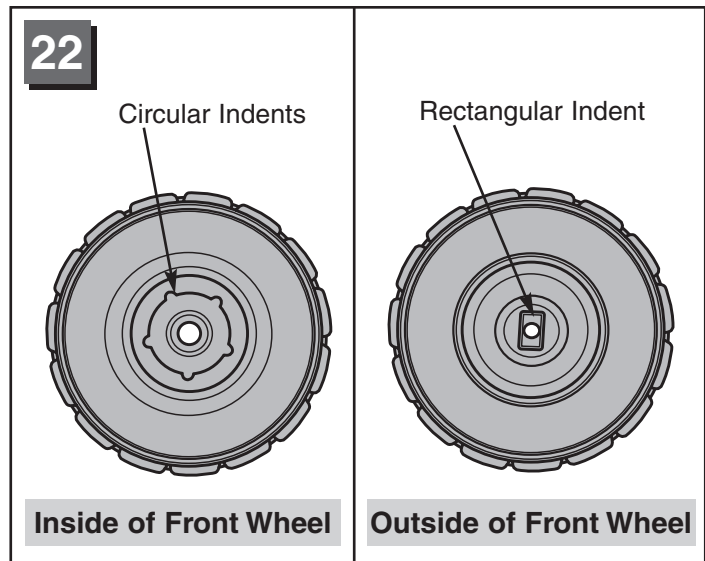


- Fit a traction band onto the center rib on one of the front wheels, as shown.

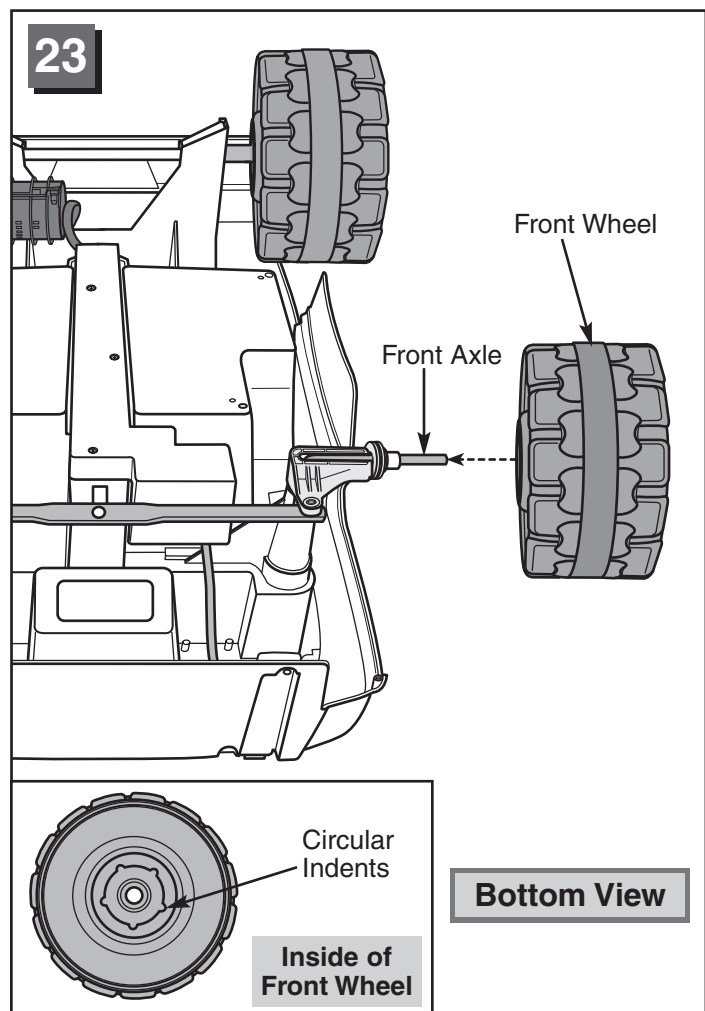
**Hint:** If it is difficult to position the traction band on the wheel, try soaking it in hot water for about two minutes to soften it.



- Using a slotted screwdriver, pull the other side of the traction band around the front wheel.
- Make sure the traction band covers the center rib **all around** the front wheel.
- Repeat assembly steps 20 and 21 to assemble the other traction band to the other front wheel.

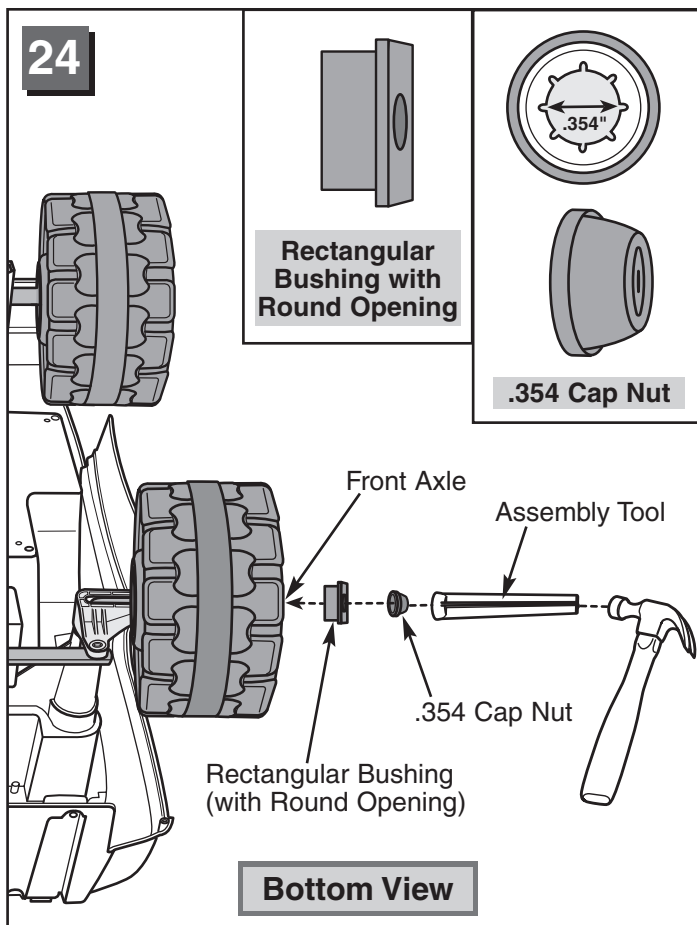


- Identify the inside and the outside of the front wheel.
  - **Inside** of front wheel has **circular** indents.
  - **Outside** of front wheel has a **rectangular** indent.

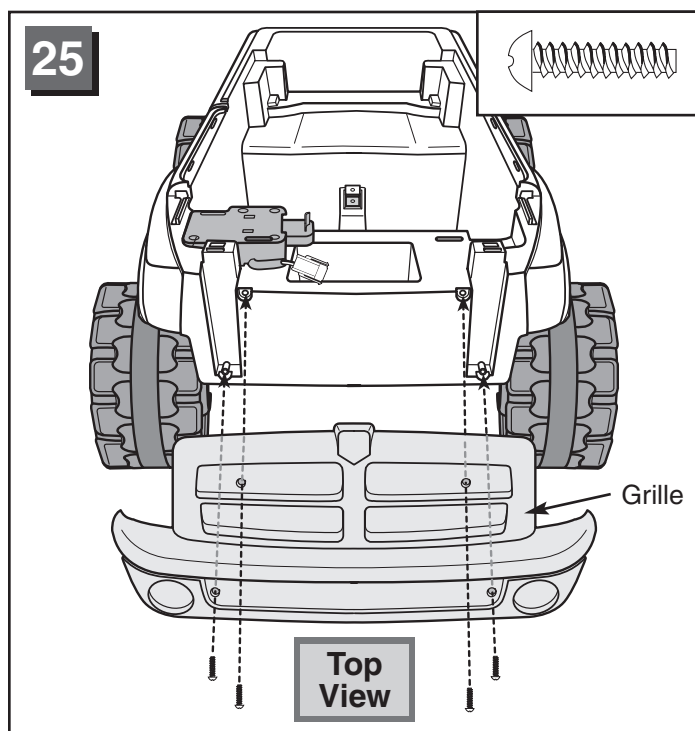


- Slide a front wheel, **inside first**, onto a front axle.

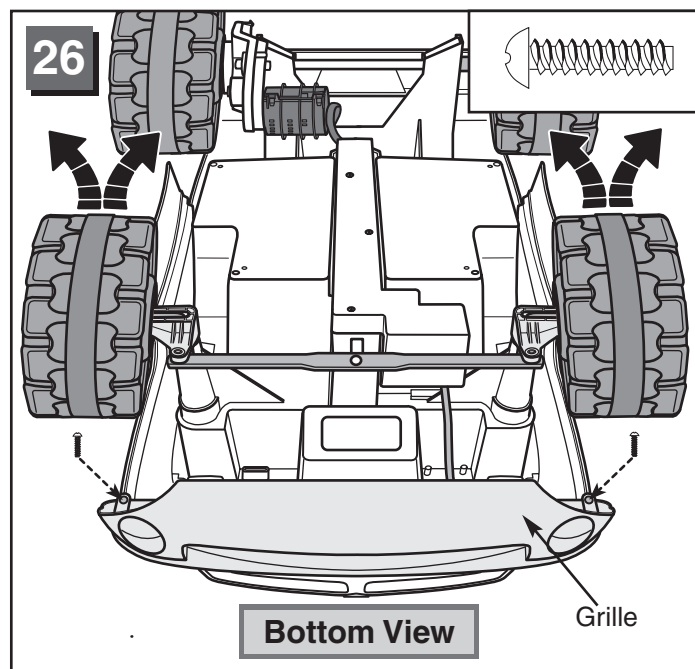
## Assembly



- Slide a rectangular bushing (with round opening), onto the front axle and into the rectangular indent in the front wheel.
- Fit a .354 cap nut on the end of a front axle.
- Cover the cap nut with the assembly tool and tap it with a hammer until the cap nut is secure on the front axle.
- Remove the assembly tool. Pull on the cap nut to be sure it is secure on the front axle.
- Repeat assembly steps 22 -24 to assemble the other front wheel, rectangular bushing (with round opening) and a .354 cap nut to the other front axle.



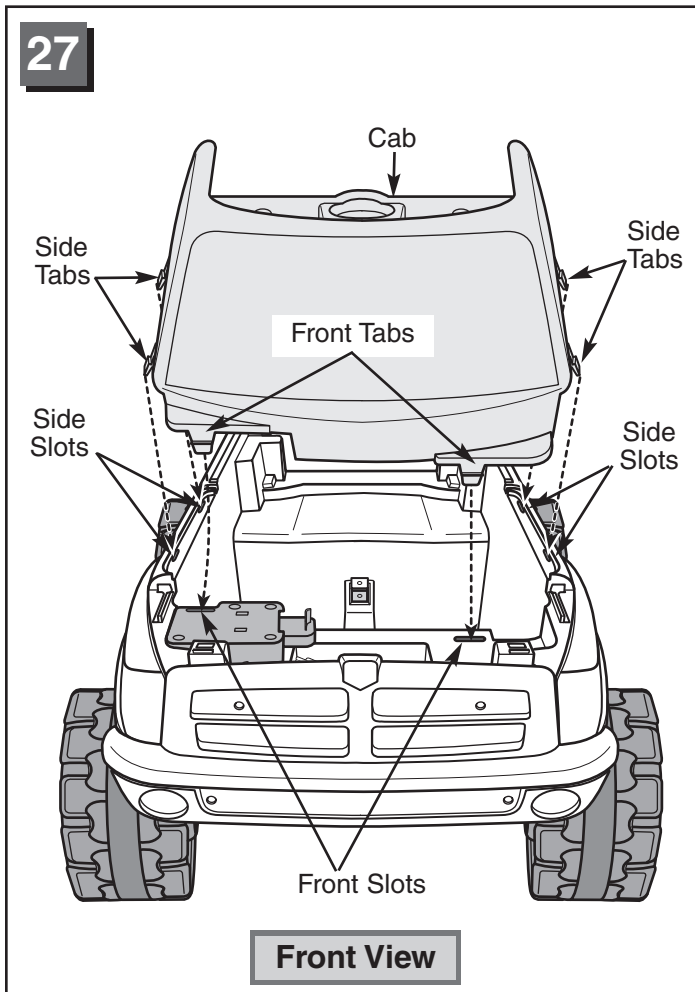
- Turn the vehicle body upright.
- Face the front end of the vehicle.
- Fit the grille to the front end of the vehicle.
- Insert four #8 x  $\frac{3}{4}$ " screws through the grille and into the front end of the vehicle. Tighten the screws with a Phillips screwdriver. Do not over-tighten.



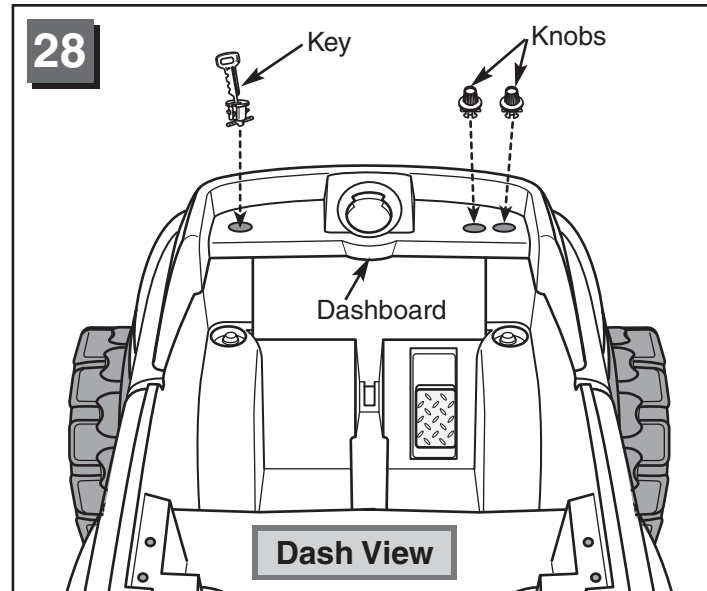
- Turn the vehicle body over so that the bottom faces you.
- Insert two #8 x  $\frac{3}{4}$ " screws through the grille and into the vehicle body. Tighten the screws with a Phillips screwdriver. Do not over-tighten.

**16** *Hint:* You may need to turn the front wheels (one at a time) to be able to insert and tighten the screws.

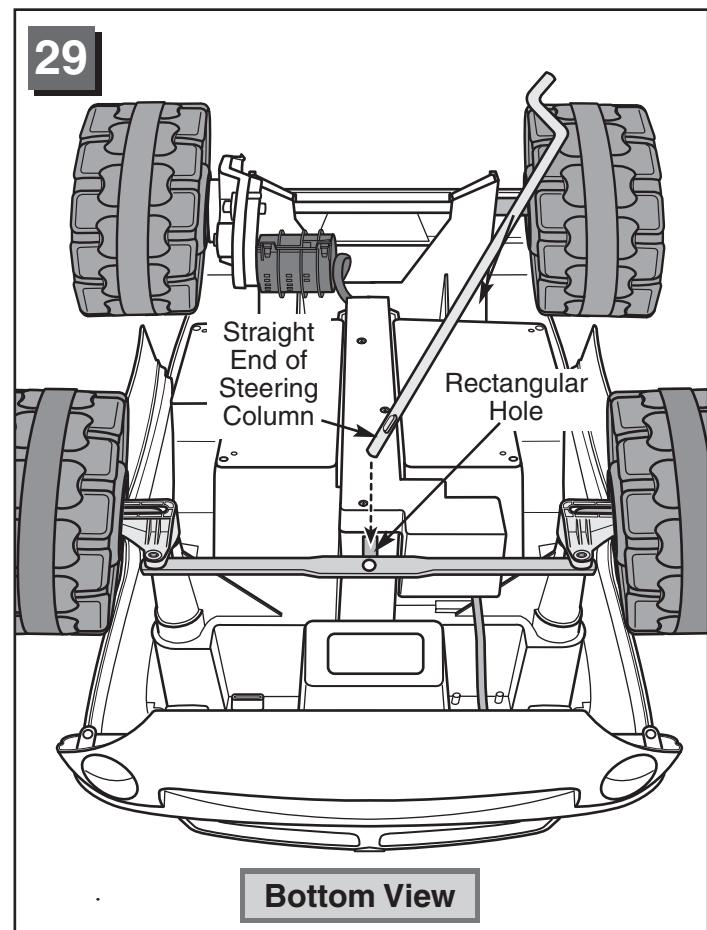
## Assembly



- Turn the vehicle body upright.
- Note the location of the six tabs on the cab.
- Fit the two front tabs on the cab into the slots in the vehicle body.
- Next, fit the four side tabs on the side of the cab into the slots in the vehicle body.
- Push down on the cab to **"snap"** all six tabs into the slots in the vehicle body.

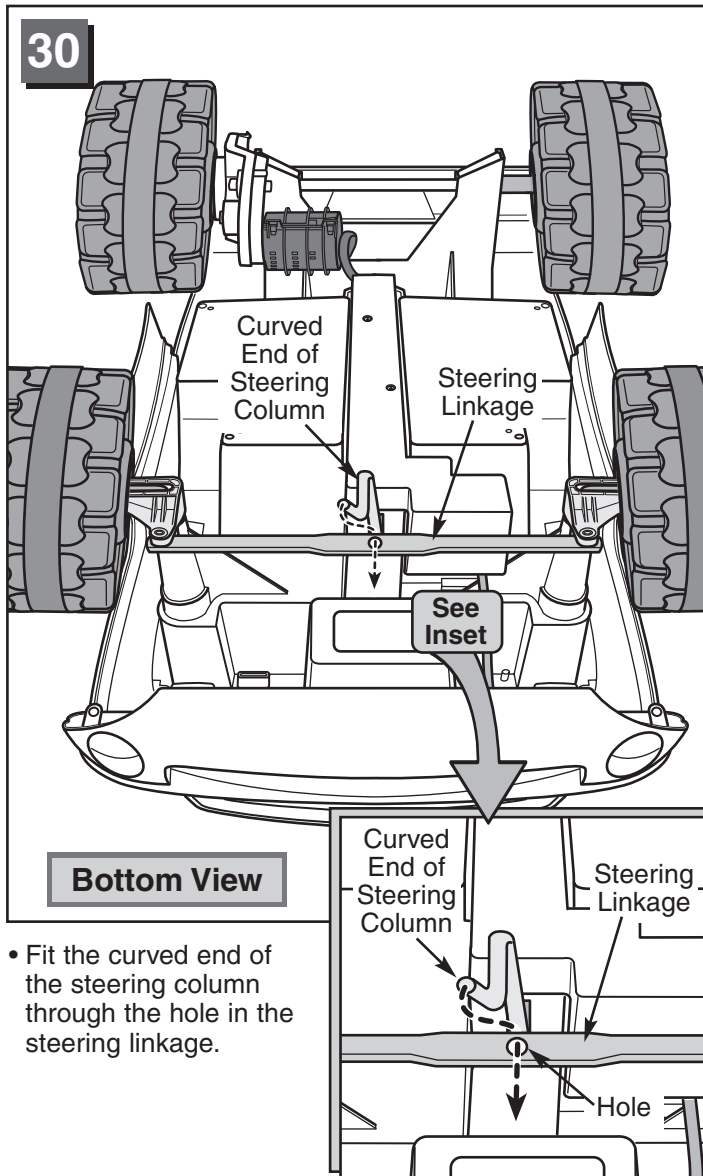


- Insert and **"snap"** the knobs into the holes in the right side of the dashboard.
- Insert and **"snap"** the key into the hole in the left side of the dashboard.

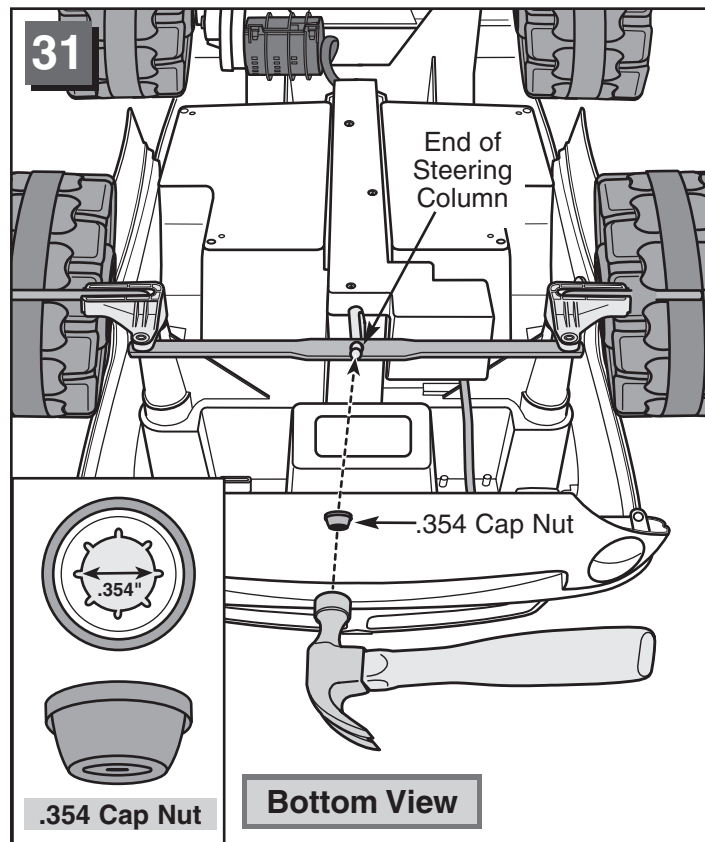


- Turn the vehicle body over so that the bottom faces you.
- Insert the straight end of the steering column through the opening in the floor of the vehicle and out through the large hole in the dashboard.

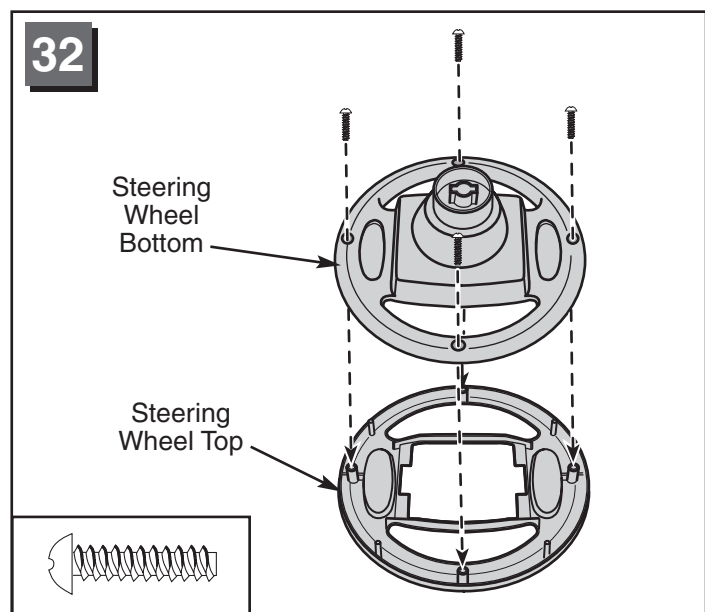
## Assembly



- Fit the curved end of the steering column through the hole in the steering linkage.

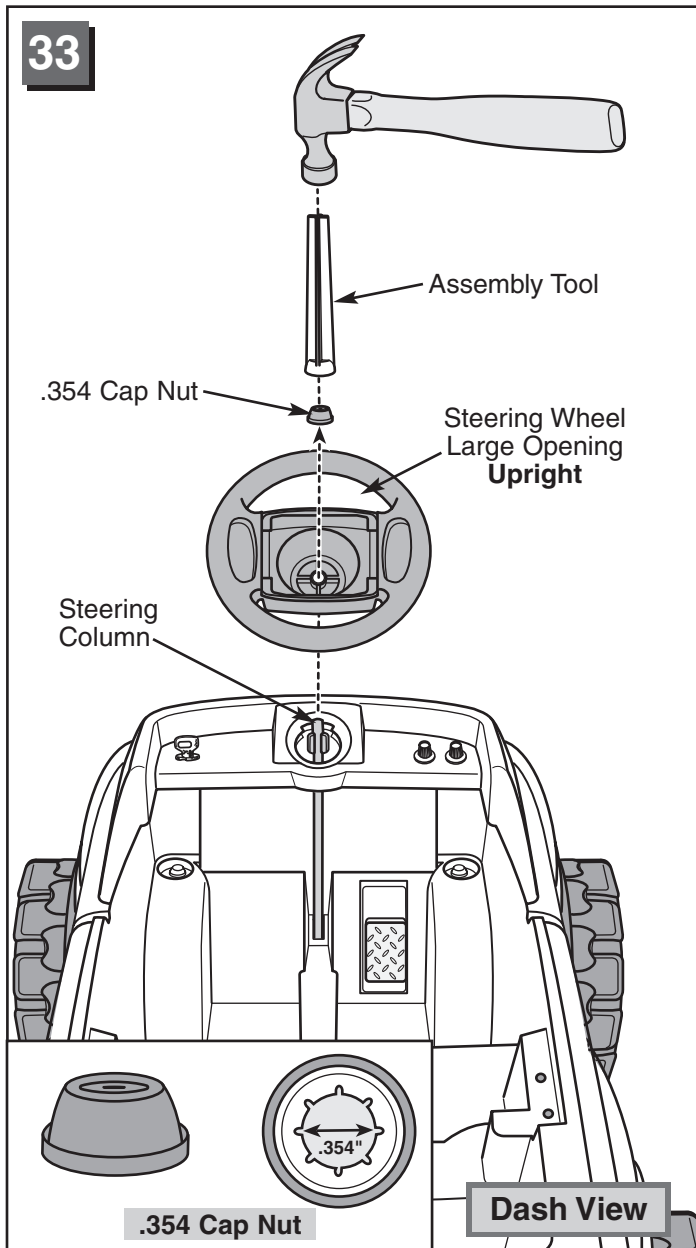


- Fit a .354 cap nut on the end of a steering column.
- Tap the cap nut with a hammer until the cap nut is secure on the steering column.
- Pull on the cap nut to be sure it is secure on the steering column.

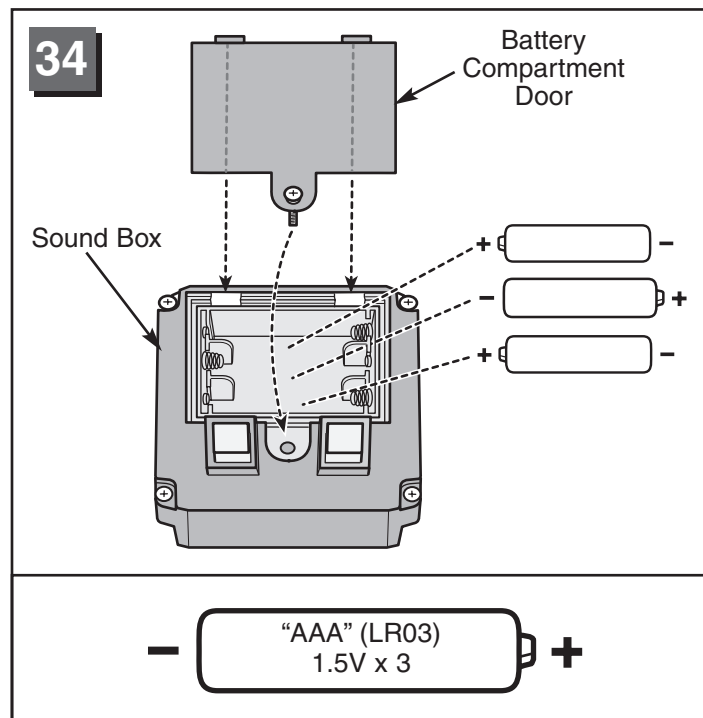


- 18**
- Place the steering wheel top face down on a flat surface.
  - Fit the steering wheel bottom to the steering wheel top.
  - Insert four #8 x  $\frac{3}{4}$ " screws through the steering wheel bottom and into the steering wheel top. Tighten the screws with a Phillips screwdriver. Do not over-tighten.

## Assembly



- Turn the vehicle body upright.
- Position the steering wheel with the large opening upright. Fit the steering wheel onto the steering column.
- Fit a .354 cap nut on the end of a steering column.
- Cover the cap nut with the assembly tool and tap it with a hammer until the cap nut is secure on the steering column.
- Remove the assembly tool. Pull on the cap nut to be sure it is secure on the steering column.
- The assembly tool is no longer needed for assembly. Throw away the assembly tool.



- Loosen the screw in the sound box battery compartment door with a Phillips screwdriver.
- Lift to remove the battery compartment door.
- Insert three "AAA" (LR03) **alkaline** batteries as indicated inside the battery compartment.

**Hint:** We recommend using **alkaline** batteries for longer battery life.

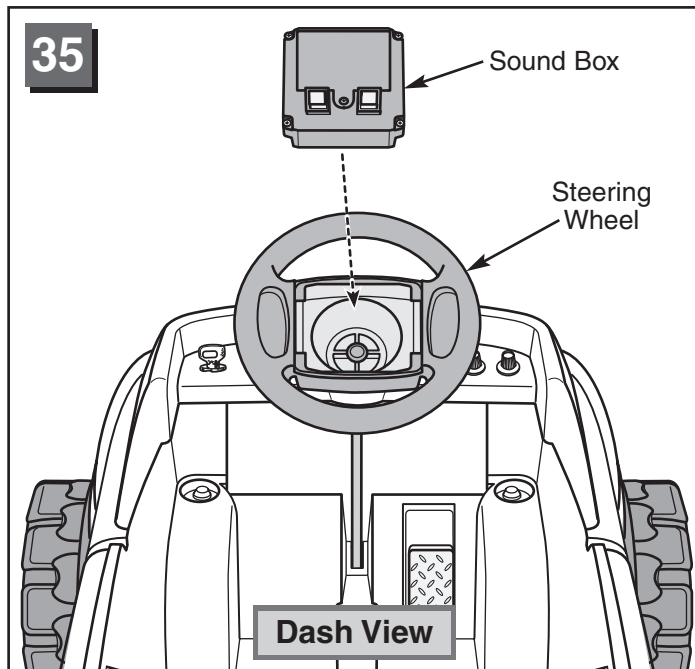
- Replace the battery compartment door and tighten the screw with a Phillips screwdriver. Do not over-tighten.

### Battery Tips

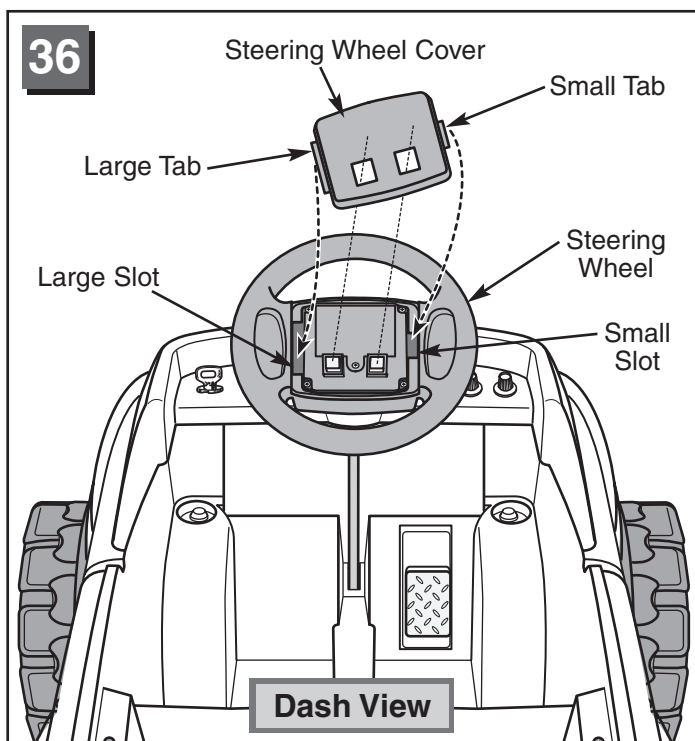
- Do not mix old and new batteries.
  - Do not mix different types of batteries: alkaline, standard (carbon-zinc) or rechargeable (nickel-cadmium).
  - Remove the batteries during long periods of non-use. Always remove exhausted batteries from the sound box. Battery leakage and corrosion can damage the vehicle.
  - Dispose of batteries safely.
  - Do not dispose of batteries in a fire. The batteries may leak or explode.
  - Never short circuit the battery terminals.
  - Non-rechargeable batteries are not to be recharged.
  - Only batteries of the same or equivalent type as recommended in these instructions are to be used.
  - If removable rechargeable batteries are used, they are only to be charged under adult supervision.
  - Rechargeable batteries are to be removed from the sound box before they are charged.
  - If you use a battery charger, it should be examined regularly for damage to the cord, plug, enclosure and other parts. Do not use a damaged battery charger until it has been properly repaired.
- 19** • When sound from the sound box becomes faint, or if the sound stops working, it's time to replace the batteries.



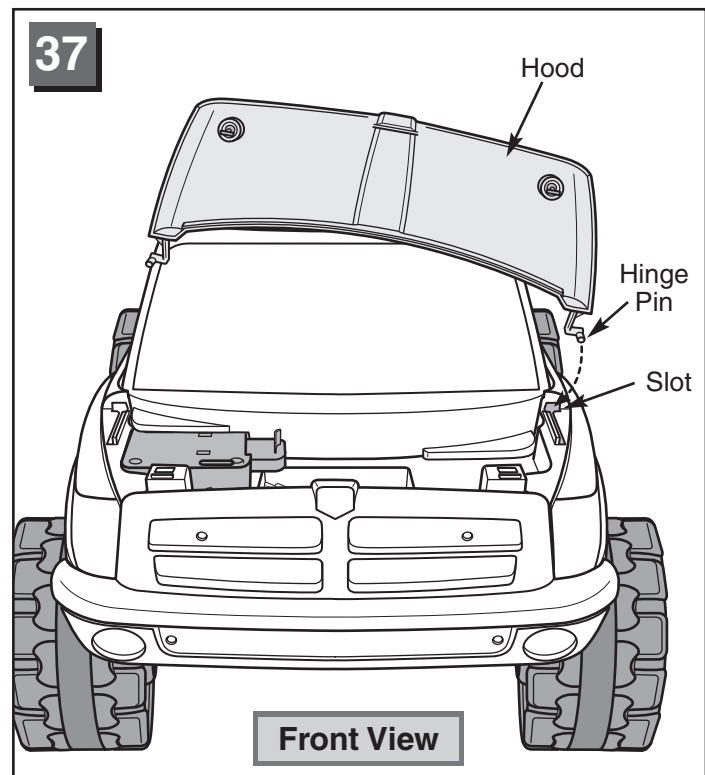
## Assembly



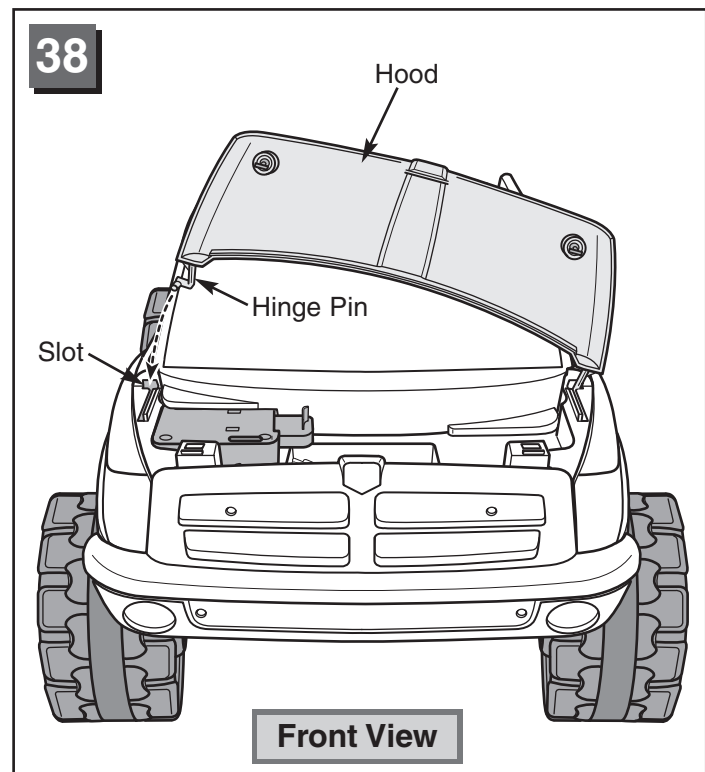
- Fit the sound box inside the steering wheel, as shown. Make sure the buttons face toward the back end of the vehicle.



- Fit the large tab on the steering wheel cover into the large slot in the steering wheel.
- Insert and "**snap**" the small tab into the small slot in the steering wheel.



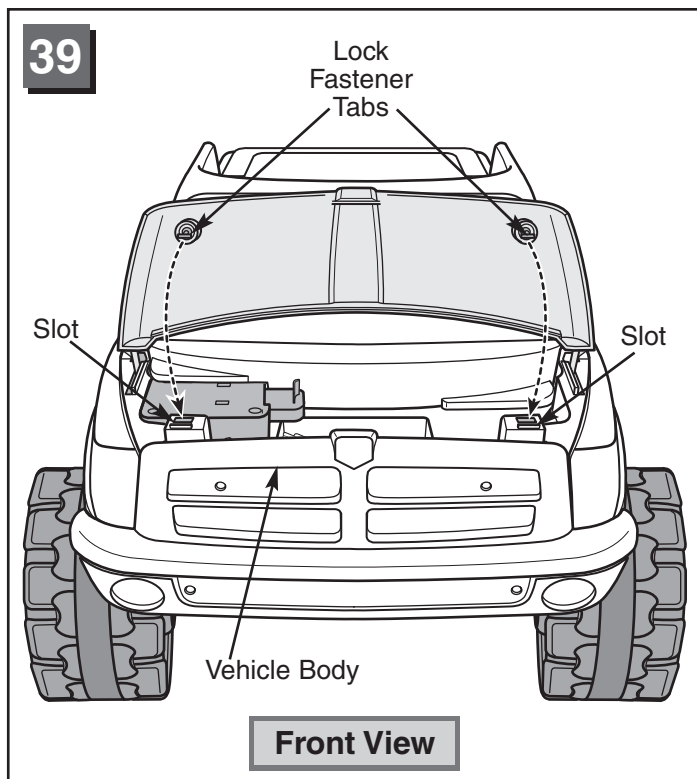
- Insert a hood hinge pin into the slot in the front end of the slots in the vehicle, as shown.



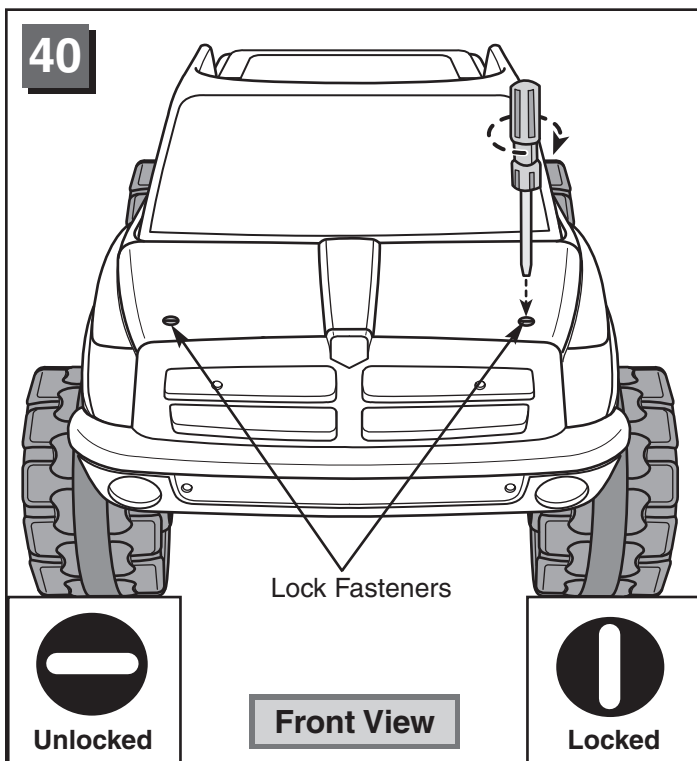
- Gently bend the hood to insert the other hood hinge pin into the slot in the front end of the vehicle body.



## Assembly

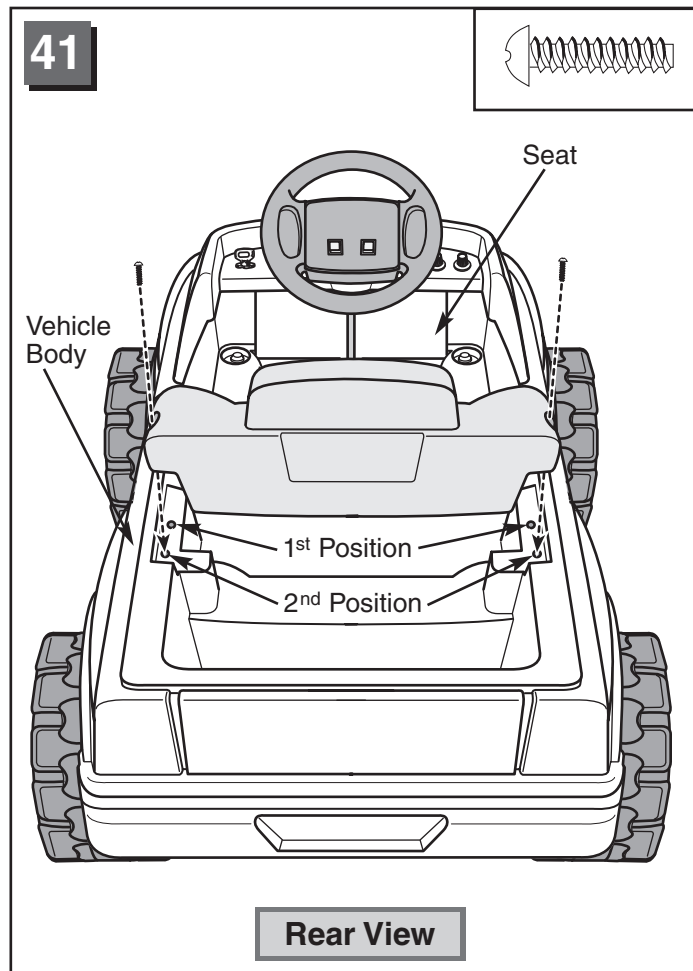


- Lower the hood and insert the lock fastener tabs on into the slots in the vehicle body.



- Using a slotted screwdriver, turn each lock fastener  $\frac{1}{4}$  turn to the locked  position.

**IMPORTANT!** Remember to keep the lock fasteners locked at all times to prevent children from accessing the vehicle battery compartment.



**Note:** The seat can be assembled in either of two positions for your child's comfort.

- Insert the seat into the vehicle body in either the 1<sup>st</sup> position or the 2<sup>nd</sup> position.
- Insert two #8 x  $\frac{3}{4}$ " screws through the seat and into the vehicle body. Tighten the screws with a Phillips screwdriver. Do not over-tighten.

**Assembly is now complete.**

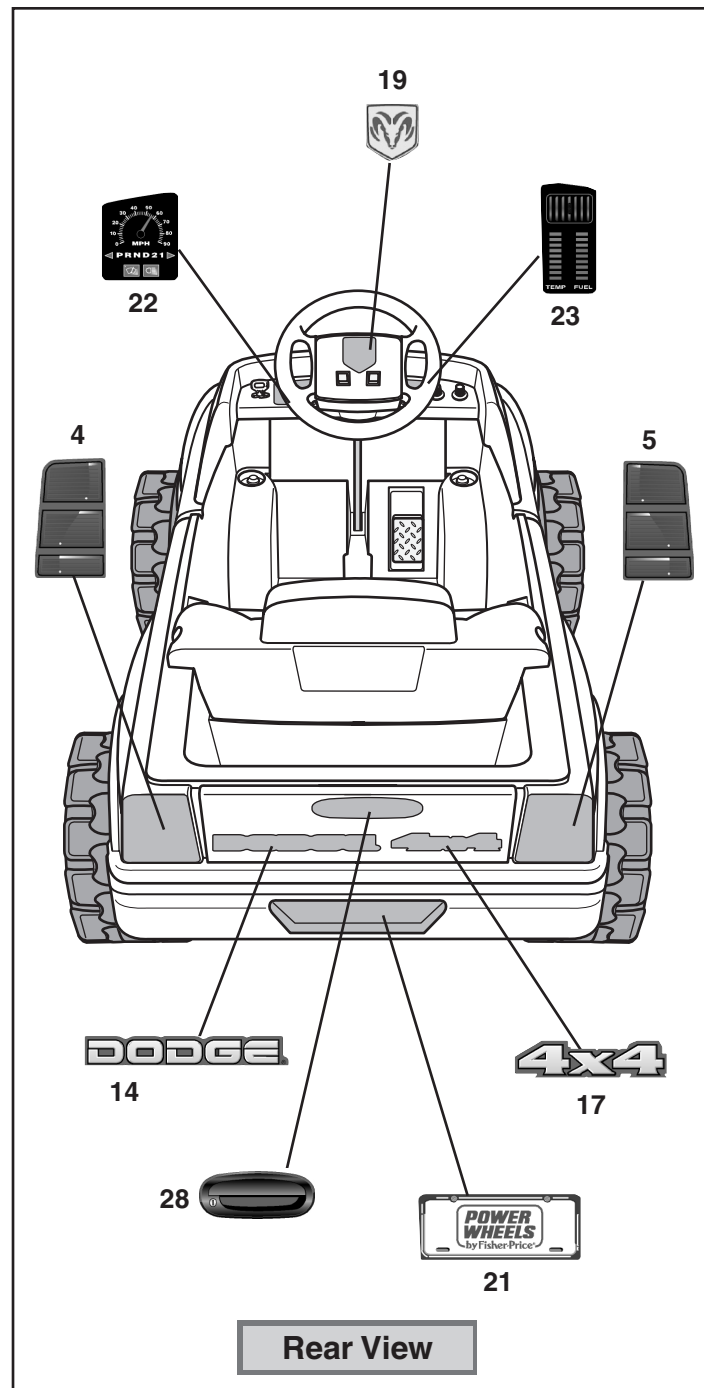
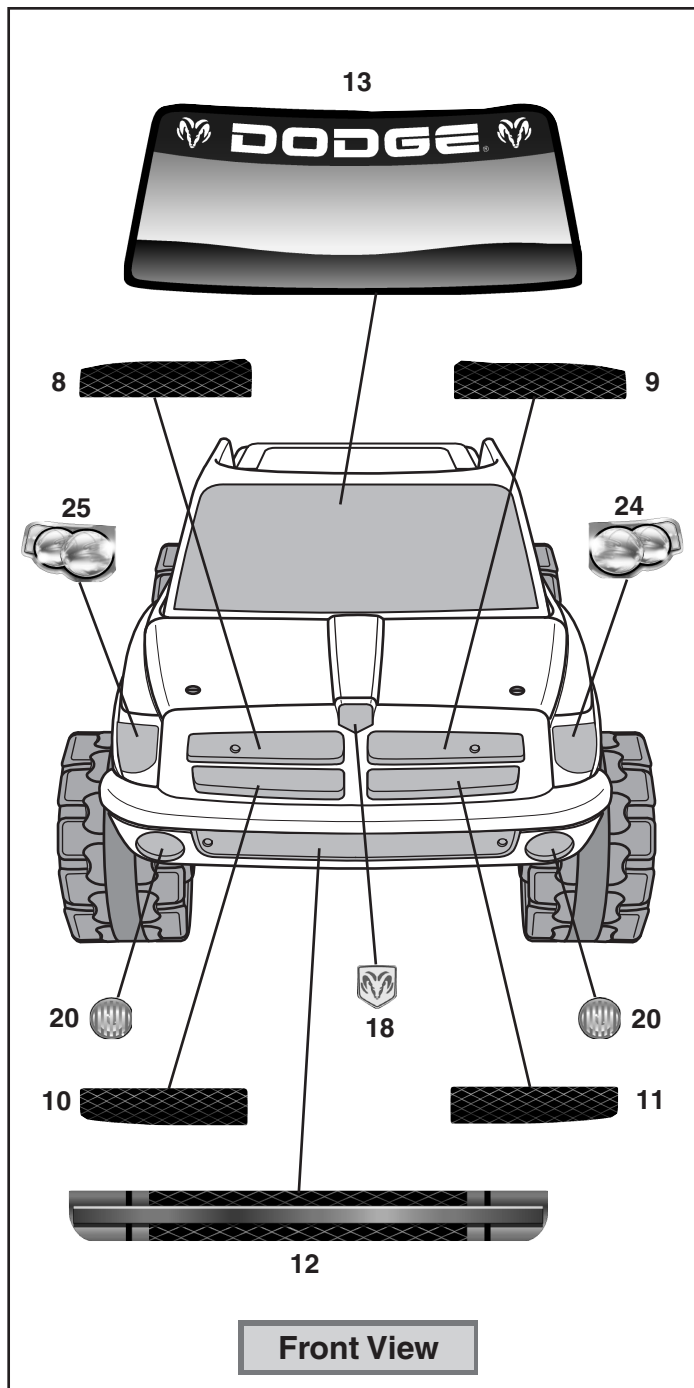
**IMPORTANT!** Please carefully read the owner's information in this manual and teach your child about proper vehicle operation and rules for safe driving before allowing operation of this vehicle.

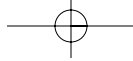
# G

## Label Decoration

**Proper label application will help to keep the labels looking their best! When applying labels, keep the following guidelines in mind:**

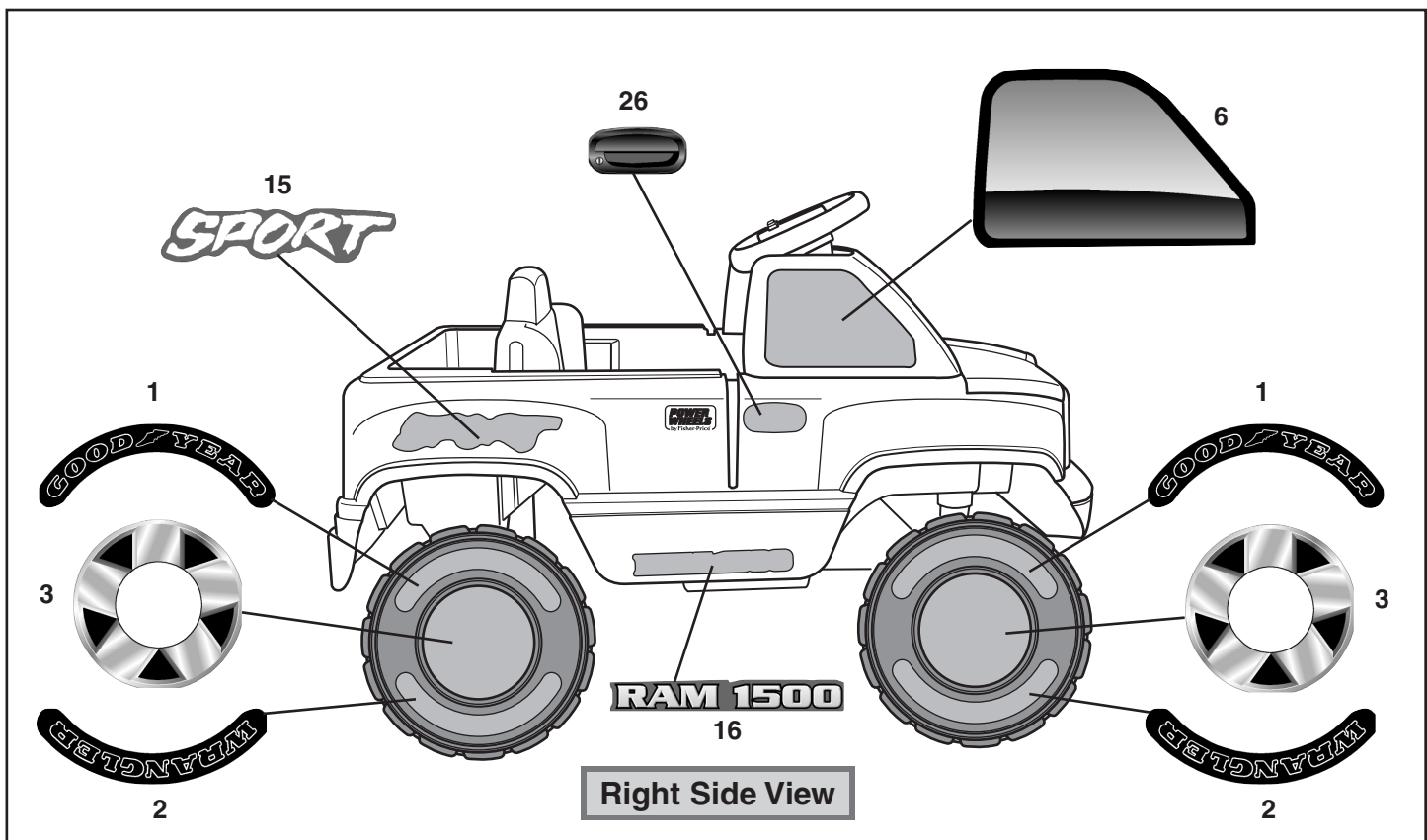
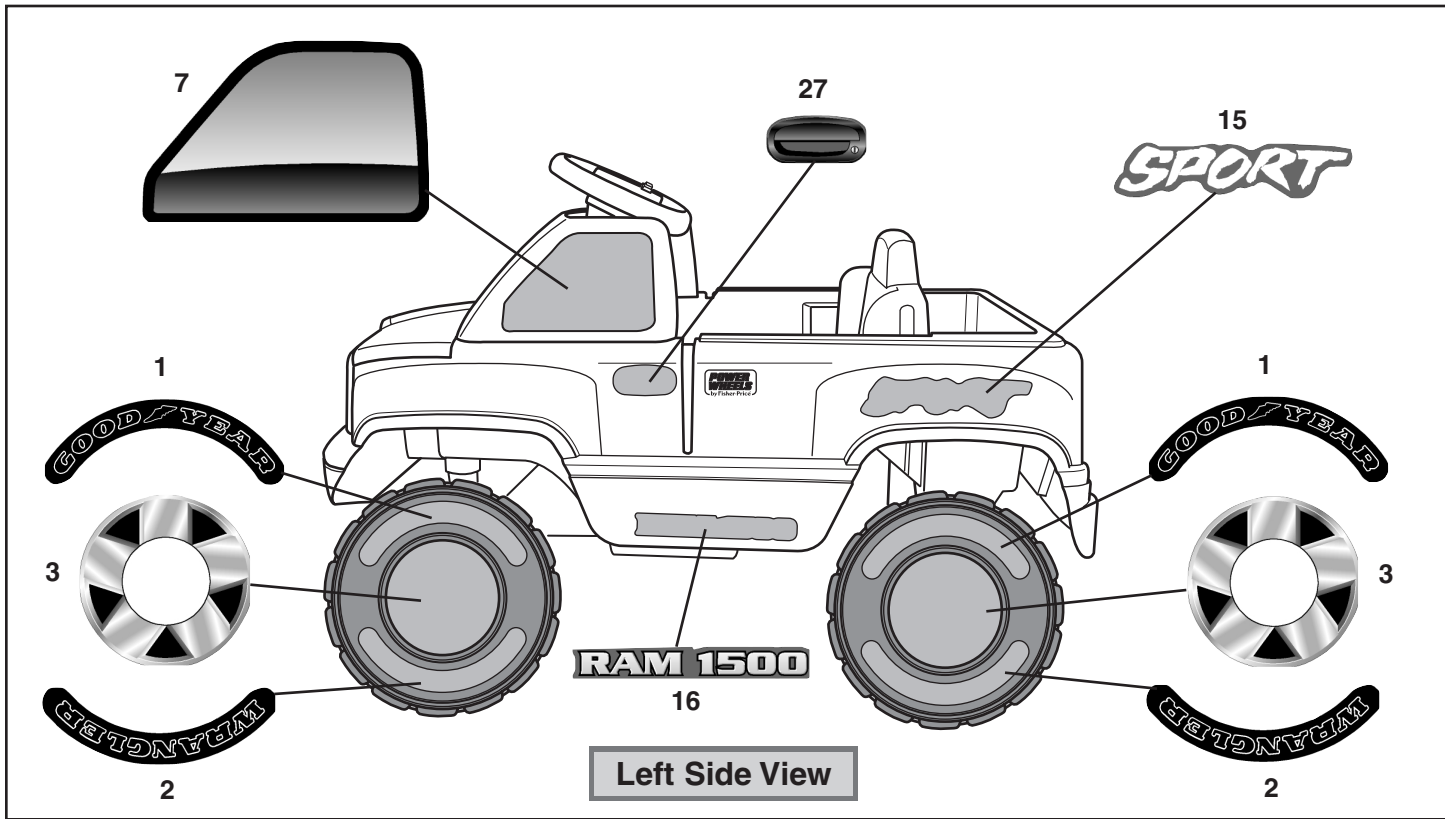
- Wash your hands before applying the labels.
- Before applying the labels, wipe the surface of the vehicle with a clean, dry cloth to remove any dust or oils.
- Place the labels exactly as shown in the illustrations.
- For best results, avoid repositioning a label once it has been applied to the vehicle.
- **After applying a label, rub the label firmly with a clean, dry cloth to make sure the label is adhered to your vehicle. Start at the center of a label, and smooth towards the outer edges to remove air bubbles.**





# Label Decoration

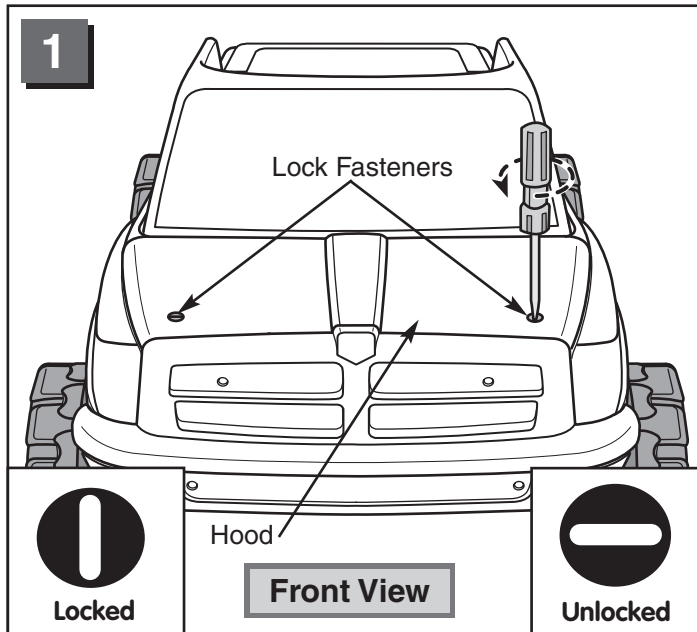
*Hint: Remove the center of each #3 label.*




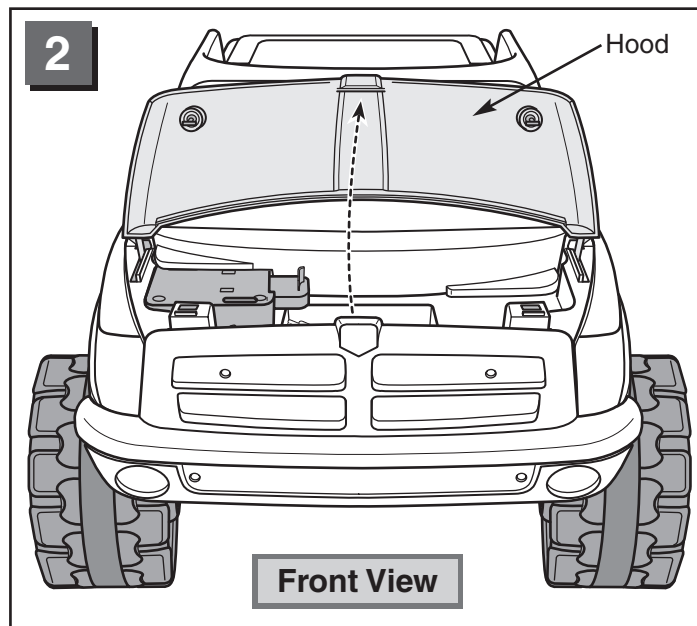
# H

## Battery Installation

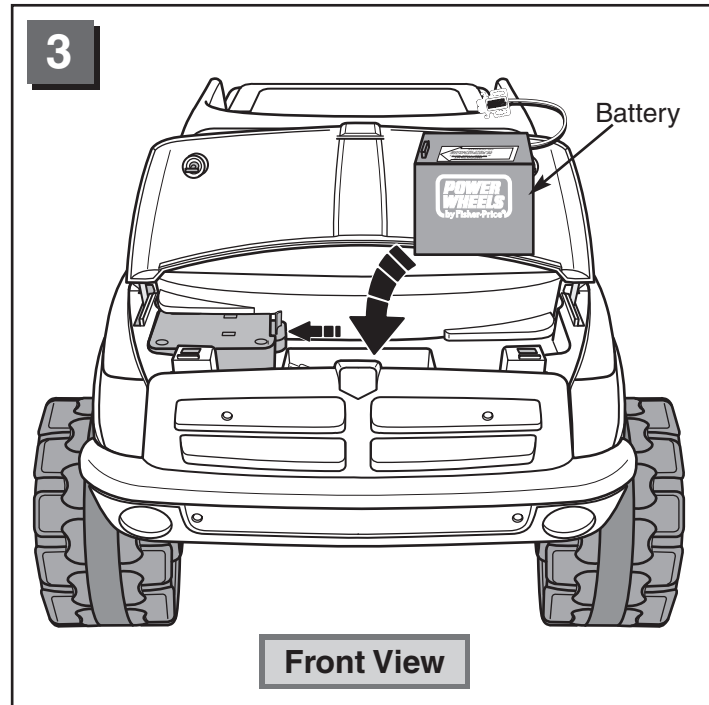
**IMPORTANT!** Use only a Power Wheels® Type H 6 volt battery with a Power Wheels® 25 Amp fuse installed. Use of any other battery or fuse will damage your vehicle. Make sure that you charge the battery for at least 18 hours using the enclosed Power Wheels® 6 Volt charger before operating your vehicle for the first time. Charge the battery for at least 14 hours after each use of the vehicle. Never charge the battery longer than 30 hours. Failure to follow these instructions may damage your battery and will void your warranty.



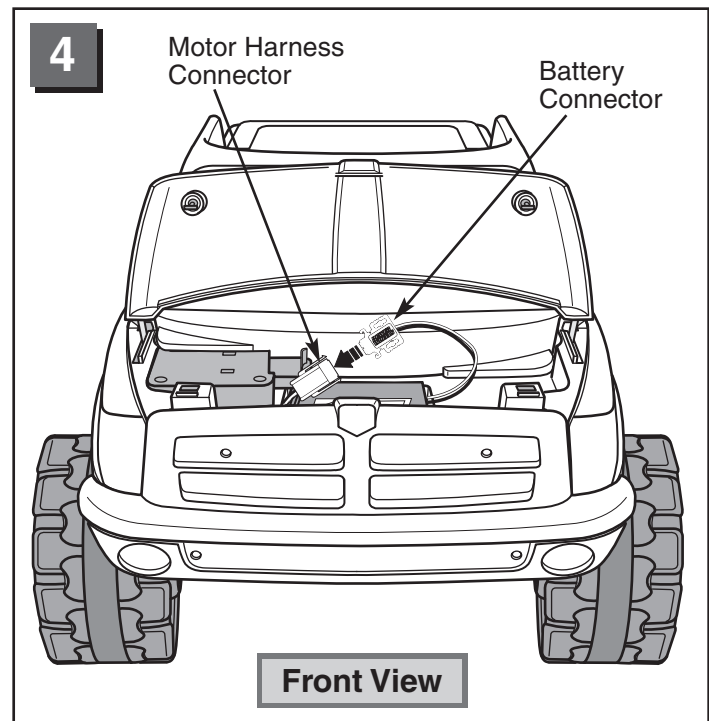
- Locate the lock fasteners in the hood.
- Using a slotted screwdriver, turn each lock fastener  $\frac{1}{4}$  turn to the unlocked  position.



- Lift the hood.



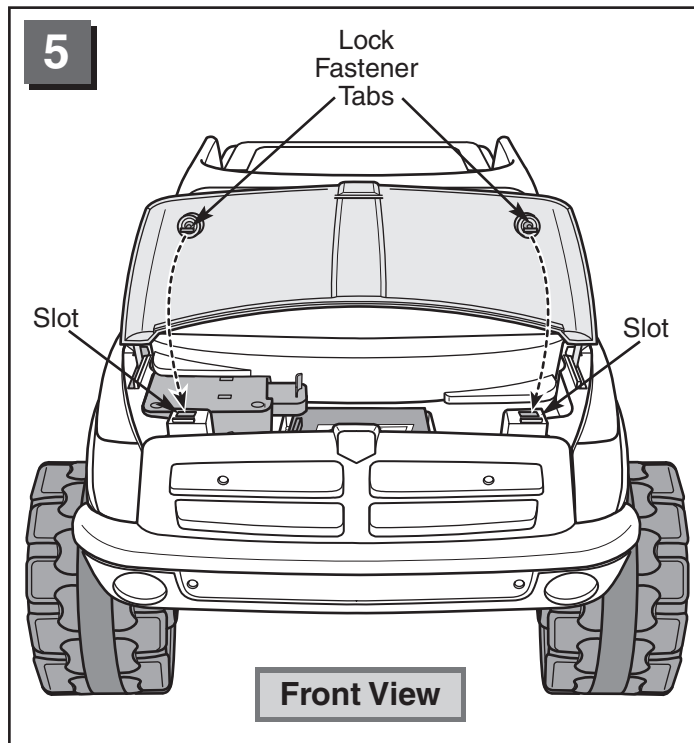
- While pushing the battery clamp, fit the battery into the battery compartment.
- Release the battery clamp to secure the battery in the battery compartment.



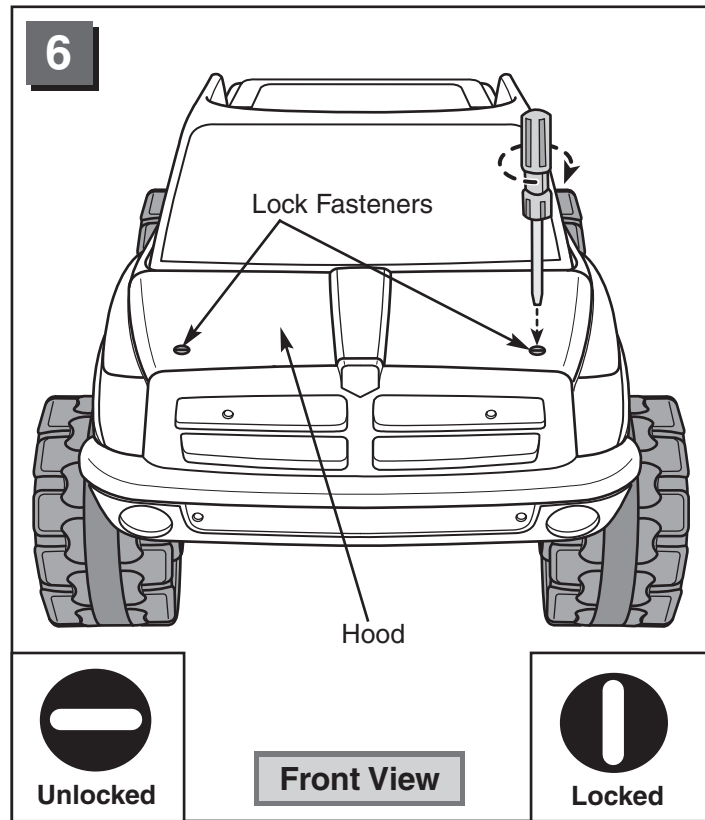
- Plug the battery connector into the motor harness connector.

**Note:** If the battery connector will not plug into the motor harness connector, turn it over and try again! Do not force the battery connector into the motor harness connector.

## Battery Installation



- Lower the hood and insert the lock fastener tabs into the slots in the vehicle body.



- Using a slotted screwdriver, turn each lock fastener  $\frac{1}{4}$  turn to the locked  position.

**IMPORTANT!** Remember to keep the lock fasteners locked at all times to prevent children from accessing the vehicle battery compartment.



## I

## Battery Care and Disposal

### Care

**If a battery leak develops**, avoid contact with the leaking acid and place the damaged battery in a plastic bag. See information below for proper disposal.

**If acid comes in contact with skin or eyes**, flush with cool water for at least 15 minutes and call a physician.

**If acid is internally ingested**, give water, milk of magnesia or egg whites immediately. Never give emetics or induce vomiting. Call a physician.

- Charge a new battery for at least 18 hours before first use. Never charge the battery longer than 30 hours. Overcharging or undercharging the battery may shorten battery life and decrease vehicle running time.
- After the first charge, recharge the battery for at least 14 hours after each use. Never charge the battery longer than 30 hours. Charge the battery after each use, regardless of how long the vehicle was used.
- The battery must be upright while charging.
- Do not allow the battery to run down completely before charging.
- Charge the battery before storing the vehicle.
- Charge the battery at least once per month, even if the vehicle has not been used.
- Leaving the battery in a discharged condition will ruin it.
- Always remove an exhausted battery from the vehicle. Battery leakage and corrosion can damage the vehicle.
- Do not store the battery on a surface (such as a kitchen countertop) which could be damaged by the acid contained inside the battery. Take precautions to protect the surface on which you store the battery.
- Do not store the battery in temperatures above 75° F or below -10° F.
- Prevent the battery from moving freely inside the battery compartment. Always use the battery clamp to secure the battery in the battery compartment.
- Examine the battery, charger and their connectors for excessive wear or damage each time you charge the battery. If damage is detected, do not use the charger or the battery until you have replaced the worn or damaged part.

## Battery Care and Disposal

### Disposal



- Your Power Wheels® battery is a sealed lead-acid battery. It must be recycled or disposed of in an environmentally sound manner.
- Do not dispose of a lead-acid battery in a fire. The battery may explode or leak.
- Do not dispose of a lead-acid battery in your regular, household trash. The incineration, landfilling or mixing of sealed lead-acid batteries with household trash is prohibited by law in most areas.
- Return exhausted batteries to a federal or state approved lead-acid battery recycler, such as a Power Wheels® authorized service center, or a local seller of automotive batteries. For the service center location nearest you, please call 1-800-348-0751. Contact your local waste management officials for other information regarding the environmentally sound collection, recycling and disposal of lead-acid batteries. If you live in the State of Florida or Minnesota, it is prohibited by law for anyone to throw away lead-acid batteries in the municipal waste stream.

## J

## Caring For Your Vehicle

- Check all screws, cap nuts and their protective coverings regularly and tighten as required. Check plastic parts on a regular basis for cracks or broken pieces.
- During snowy or rainy weather, the vehicle should be stored inside or under a protective cover. Remember to charge the battery at least once per month while your vehicle is not in regular use.
- Avoid operating the vehicle in wet or snowy conditions, and do not spray the vehicle with a hose. Do not wash the vehicle with soap and water. Water or moisture in the motors or electrical switches can cause them to corrode, and could cause switch or motor failure.
- Avoid operating the vehicle on sand, loose dirt or gravel. Sand, loose dirt or gravel in the motors or electrical switches can cause them to jam, and could cause switch or motor failure.
- The vehicle can be wiped down with a soft, dry cloth. For a shiny finish, you can wipe plastic parts with a non-wax furniture polish applied to a soft-cloth. Do not use auto-motive wax. Do not use soap and water or spray the vehicle with a hose.
- To ensure that your vehicle stays in good operating order, we recommend that you periodically have your vehicle checked by a Power Wheels® authorized service center. See page 32 for the list of authorized service centers or call **1-800-348-0751** for the location of the authorized service center nearest you.



# K

## Rules for Safe Driving

### RIDING HAZARD



#### WARNING

##### Prevent Injuries and Deaths

- Direct Adult Supervision Required.
- Keep Children Within Safe Riding Areas

These areas must be:

- away from swimming pools and other bodies of water to prevent drownings.
- generally level to prevent tipovers.
- away from steps, driveways, roads and alleys.

### Teach Safety Rules to Children

While children can quickly develop the skill necessary to drive this vehicle, it is important to remember that their judgment skills are still very immature. Unsupervised driving by children can lead to serious injury. Before children use this vehicle, an adult should carefully evaluate the driving area as well as the children's skill level and ability to drive this vehicle safely. Children are not always able to recognize or anticipate hazards, even when they have been taught about them. **THERE IS NO ACCEPTABLE SUBSTITUTE FOR DIRECT ADULT SUPERVISION.**

Teach appropriate safety rules to your child before allowing operation of this vehicle. These rules should also be reviewed with neighborhood children or other playmates who want to drive this vehicle.

### Riding Rules

**Make sure children know and follow these rules for safe driving:**

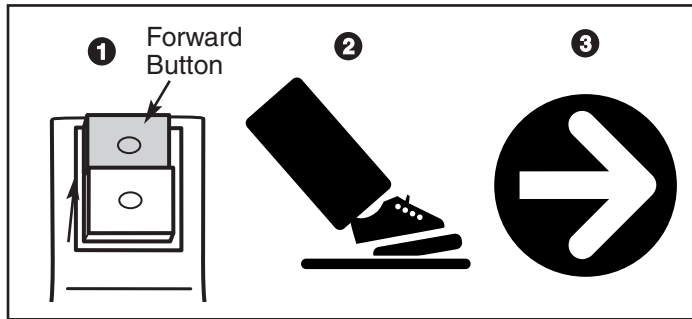
1. Always sit on the seat.
2. Always wear shoes.
3. Only 1 (one) rider at a time. A child who is not sitting on the seat or who is standing on the vehicle could fall off, cause a tip-over or block the driver's view. A child could be seriously injured.
4. Do not allow any child to drive the vehicle in the street or near moving (motorized) vehicles.
5. Do not allow any child to drive near bodies of water (such as pools or creeks), obstructions (such as furniture, low tree limbs or play equipment), or drop-offs (such as stairs or decks).
6. Do not allow any child to drive the vehicle in the dark. A child could encounter unexpected obstacles and have an accident. Operate the vehicle only in the daytime or a well-lit area.
7. Do not allow your child to drive on sloped or inclined surfaces. **Restrict your child's driving to generally level ground ONLY!**
8. Do not allow your child to drive down or across a steep slope.
  - The vehicle may gain unsafe speed, even if the pedal is released to stop.
  - The vehicle may tilt and tip over.
  - The wheels could lose traction, causing the vehicle to slip.
9. Do not allow your child to drive up steep inclines. The motor may stop and the vehicle could roll backwards at an unsafe speed.
10. Never put anything near any moving parts. Rotating parts such as motors, gear boxes and wheels can snag fingers, hair, etc., causing serious injury. Do not allow operation of the vehicle when it is on its side or in an upside-down position.
11. Do not operate the vehicle near flammable vapors (gasoline, paint thinner, acetone, liquid wax, etc.). The vehicle's electrical switches, like most electrical switches, emit an internal spark when first turned on or turned off. The presence of flammable liquids or vapors could cause an explosion or a fire. Keep all flammable products in tightly sealed containers and away from the vehicle.
12. Do not allow a child to operate the vehicle without direct adult supervision. To prevent unsupervised use of the vehicle, disconnect the motor harness from the battery when the vehicle is not in use.

# L

## How to Operate Your Vehicle

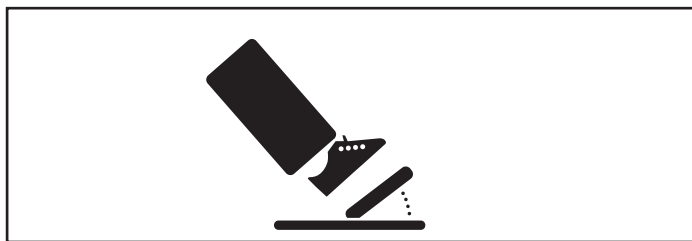
**IMPORTANT!** Use this vehicle **ONLY** outdoors. Most interior flooring can be damaged by riding this vehicle indoors. Fisher-Price® will not be responsible for damage to floors if the vehicle is used indoors.

### Drive Forward



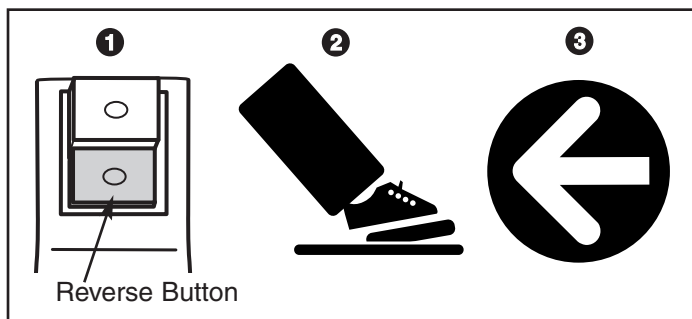
- Press the **FORWARD** ① button below the seat.
- Press the foot pedal ②. The vehicle drives forward at a maximum of 2½ mph ③.

### To Stop



- Your vehicle has a patented, electronic braking system that automatically stops the vehicle when your child's foot is lifted from the pedal.
- Make sure your child is comfortable with steering the vehicle and automatically knows how to stop.

### Reverse



**IMPORTANT!** To avoid damaging the motors and gears, be sure to stop the vehicle before switching from forward to reverse.

- Press the **REVERSE** ① button below the seat.
- Press the foot pedal ②. The vehicle backs up at a maximum of 2½ mph ③.

# M

## FCC Statement (United States Only)

This equipment has been tested and found to comply with the limits for a Class B digital device, pursuant to part 15 of the FCC rules. These limits are designed to provide reasonable protection against harmful interference in a residential installation. This equipment generates, uses and can radiate radio frequency energy and, if not installed and used in accordance with the instructions, may cause harmful interference to radio communications. However, there is no guarantee that interference will not occur in a particular installation. If this equipment does cause harmful interference to radio or television reception, which can be determined by turning the equipment off and on, the user is encouraged to try to correct the interference by one or more of the following measures:

- Reorient or relocate the receiving antenna.
- Increase the separation between the equipment and receiver.
- Connect the equipment into an outlet on a circuit different from that to which the receiver is connected.
- Consult the dealer or an experienced radio/TV technician for help.

**CAUTION:** Changes or modifications not expressly approved by the manufacturer responsible for compliance could void the user's authority to operate the equipment.

# N

## Bumper-to-Bumper\* Limited Warranty

**\*One year limited warranty from the date of purchase on the Power Wheels® vehicle.**

**Six month limited warranty on the 6 volt battery.**

For the original purchaser, this one year limited warranty covers the Power Wheels® ride-on vehicle (purchased from Power Wheels®) against defects in materials and workmanship. The six month limited warranty applies only to the 6 volt battery included by Power Wheels® with the original purchase of the vehicle.

This warranty covers normal use and does not cover the Power Wheels® vehicle or battery if damaged by unreasonable use, neglect, accident, abuse, misuse, improper service or other causes not arising out of defects in materials or workmanship. Evidence of any attempt at consumer repair will void this warranty. THIS WARRANTY DOES NOT COVER, AND IS INTENDED TO EXCLUDE, ANY LIABILITY ON THE PART OF POWER WHEELS®, WHETHER UNDER THIS WARRANTY OR IMPLIED BY LAWFUL FOR ANY INDIRECT OR CONSEQUENTIAL DAMAGES FOR BREACH OF WARRANTY. SOME STATES DO NOT ALLOW THE EXCLUSION OR LIMITATION SO THIS LIMITATION MAY NOT APPLY TO YOU.

Should you need service or assistance with your vehicle during the warranty period, **do not return the vehicle to the store.** Power Wheels® has provided a nationwide network of authorized service centers. Please refer to the list in this manual. Power Wheels® is continually expanding our Authorized Service Center Network. If there is not an authorized service center in your area, please call Consumer Relations for information, **1-800-348-0751**.

THIS WARRANTY GIVES YOU SPECIFIC LEGAL RIGHTS, AND YOU MAY ALSO HAVE OTHER RIGHTS WHICH MAY VARY FROM STATE TO STATE.

**PLEASE SAVE YOUR ORIGINAL SALES RECEIPT.**

# O

## Problems and Solutions Guide

**IMPORTANT!** If you experience a problem with your vehicle, first check the Problems and Solutions Guide below. If you still experience a problem, please contact Power Wheels® Consumer Relations, toll-free at **1-800-348-0751** between 8 AM and 6 PM (EST) Monday through Friday. Or, contact your local Power Wheels® authorized service center. For the location nearest you, please refer to the Authorized Service Center list beginning on page 32.

| Problem              | Possible Cause   | Solution  |
|----------------------|--|---|
| Vehicle does not run | Undercharged battery   | Charge the battery. A new battery should have been charged for at least 18 hours before using the vehicle for the first time. After first-time use, recharge the battery for at least 14 hours after each use. Never charge the battery longer than 30 hours. |
|                      |  | Check all connectors. Make sure the charger connector is plugged into the battery, and that the charger is plugged into the wall.   |
|                      |  | Make sure power flow to the wall outlet is "ON".  |
|                      | Charger is not working   | There is no sure way to tell if your charger is working unless you have a volt meter. If you suspect there is a problem with your charger, contact your local Power Wheels® authorized service center. They can test your charger for you.                    |
|                      | Wrong type or improperly installed fuse  | Make sure that the battery has a properly installed Power Wheels® 25 amp fuse before charging. Do not substitute parts.   |
| Blown fuse           | Make sure that the fuse in the battery is in good condition. Replace a blown fuse with a Power Wheels® 25 amp fuse. Do not substitute parts. |   |

## Problems and Solutions Guide

| Problem   | Possible Cause                                 | Solution  |
|---|--|---|
| Vehicle does not run (con't.)                     | Loose wire or loose connectors                 | Check all wires and connectors. Make sure the motor harness connector is plugged into the battery, and that there are no loose wires around the motors.   |
|   | Dead battery                                   | If your battery is old or if you have not followed Battery Care instructions, your battery may be dead. If you are unsure whether or not the battery is dead, you can have it tested at your local Power Wheels® authorized service center.                   |
|   | Electrical switch damage                       | The electrical switches can become corroded due to exposure to water or moisture, or can jam due to loose dirt, sand or gravel. Contact your local Power Wheels® authorized service center for diagnosis and repair.  |
|   | Motor damage                                   | Contact your local Power Wheels® authorized service center for diagnosis and repair.  |
| Vehicle was running but suddenly stopped          | Loose wire or loose connectors                 | Check all wires and connectors. Make sure the motor harness connector is plugged into the battery, and that there are no loose wires around the motors.   |
|   | Wrong type or improperly installed fuse        | Make sure that the battery has a properly installed Power Wheels® 25 amp fuse installed before charging. Do not substitute parts.   |
|   | Blown fuse                                     | Make sure that the fuse in the battery is in good condition. Replace a blown fuse with a Power Wheels® 25 amp fuse. Do not substitute parts.  |
|   | Vehicle is overloaded                          | Make sure you do not overload the vehicle by allowing more than 1 rider at one time, by exceeding the 50 lbs (23 kg) maximum weight capacity, or by towing objects behind the vehicle.  |
|   | Driving conditions are too stressful           | Use only on generally level ground. Extreme temperatures can also affect run time.  |
| Short run time (Less than 1 - 3 hours per charge) | Undercharged battery                           | Charge the battery. A new battery should have been charged for at least 18 hours before using the vehicle for the first time. After first-time use, recharge the battery for at least 14 hours after each use. Never charge the battery longer than 30 hours. |
|   |  | Check all wires and connectors. Make sure the charger connector is plugged into the battery, and that the charger is plugged into the wall.   |
|   |  | Make sure power flow to the wall outlet is "ON".  |
|   | Overcharged battery                            | Do not charge the battery longer than 30 hours. If you suspect that your battery is damaged as a result of overcharging, contact your local Power Wheels® authorized service center. They can test your battery for you.                                      |
|   | Battery is old and will not accept full charge | Even with proper care, a rechargeable battery does not last forever. Average battery life is 1 to 3 years depending on vehicle use and use conditions. Replace the battery with a new Power Wheels® 6 volt rechargeable battery. Do not substitute parts.     |
|   | Wrong type or improperly installed fuse        | Make sure that the battery has a properly installed Power Wheels® 25 amp fuse installed before charging. For best performance, do not use substitute parts.   |
|   | Driving conditions are too stressful           | Use only on generally level ground. Extreme temperatures can also affect run time.  |

## Problems and Solutions Guide

| Problem  | Possible Cause   | Solution  |
|--|--|---|
| Vehicle runs sluggishly  | Undercharged battery   | Charge the battery. A new battery should have been charged for at least 18 hours before using the vehicle for the first time. After first-time use, recharge the battery for at least 14 hours after each use. Never charge the battery longer than 30 hours. |
|  |  | Check all connectors. Make sure the charger connector is plugged into the battery, and that the charger is plugged into the wall.   |
|  |  | Make sure power flow to the wall outlet is "ON".  |
|  | Battery needs charging   | After each use, the battery needs charging.   |
|  | Wrong type or improperly installed fuse  | Make sure that the battery has a properly installed Power Wheels® 25 amp fuse installed before charging. For best performance, do not use substitute parts.   |
|  | Battery is old and will not accept full charge   | Even with proper care, a rechargeable battery does not last forever. Average battery life is 1 to 3 years depending on the vehicle use and use conditions. Replace the battery with a new Power Wheels® 6 volt rechargeable battery. Do not substitute parts. |
|  | Vehicle is overloaded  | Make sure you do not overload the vehicle by allowing more than one rider at one time, by exceeding the 50 lb. maximum weight capacity, or by towing objects behind the vehicle.  |
| Driving conditions are too stressful                                 | Use only on generally level ground.  |   |
| Sometimes the vehicle doesn't run, but other times it does           | Loose wire or connector  | Check all wires around the motors and all connectors to make sure they are tight.   |
|  | Motor or electrical switch damage  | Contact your local Power Wheels® authorized service center for diagnosis and repair.  |
| When the foot pedal is pressed, the vehicle won't run without a push | Loose wire or connector  | Check all wires around the motors and all connectors to make sure they are tight.   |
|  | "Dead Spot" on motor   | Contact your local Power Wheels® authorized service center for diagnosis and repair.  |
| Loud clacking or grinding noise from a motor-gearbox                 | Broken gears   | Contact your local Power Wheels® authorized service center for diagnosis and repair.  |
| Charger gets warm during use   | It is normal for some chargers to get warm during use and is not reason for concern.                         | No action required.   |
|  |  | If your charger does not get warm during use, it does not mean that it is not working properly.   |
| Battery makes a sizzling or gurgling noise when charging             | It is normal for some battery to make noise and swell slightly while charging and is not reason for concern. | No action required.   |
|  |  | If your battery does not make noise or swell slightly during charging, it does not mean that it is not accepting the charge.  |

If, after reviewing the Problems and Solutions Guide, the vehicle still fails to operate, please contact your nearest authorized service center or contact Power Wheels® Consumer Relations toll-free at **1-800-348-0751**.



**M**

## Authorized Service Centers

We are continually expanding our Authorized Service Center Network. Please check this listing for the Authorized Service Center nearest you. If there is not one in your area, please call Power Wheels® Consumer Relations at 1-800-348-0751.

### ALABAMA

**BIRMINGHAM** - Frigid Service & Sales, 701 Graymont Ave. North, 35203, (205) 323-5831

**BIRMINGHAM** - Frigid Service & Sales, 1861 Centerpoint Rd., 35215, (205) 853-3952

**BIRMINGHAM (HOMWOOD)** - Frigid Appliance Center, 154 West Valley Ave., 35209, (205) 942-3959

**DECATUR** - Peddler II, 1000 B Beltline Road, 35603, (205) 350-1044

**DOTHAN** - Bill's Appliance Service, 208 Bic Road, P.O. Box 1192, 36303, (334) 792-7746

**DOUGLAS** - Brown Hardware, Highway 75, 35964, (205) 593-6086

**HUNTSVILLE** - C & G Appliance, 307 Jordan Lane, 35805, (205) 837-4551

**MOBILE** - Foster's Appliance Repair, 1660 South Beltline Highway, 36693, (334) 666-2670

**NORTHPORT** - Appliance Connection, 2703 McFarland Blvd, 35476, (205) 339-2774

**TROY** - Specialty Batteries, 1317 S. Brundidge St., P.O. Box 1045, 36081, (334) 670-6800, (800) 477-8230

### ALASKA

**ANCHORAGE** - Ken's Electronics Service, 360 E. International, Ste. 8, 99518, (907) 562-3443

**FAIRBANKS** - Appliance Service Co. Inc., 700 23rd Ave., 99701, (907) 452-1000

### ARIZONA

**GLENDALE** - Elliott Electric Appliance Service, 6242 N. 43rd Avenue, 85301, (623) 937-2613

**SCOTTSDALE** - Elliott Electric, 7515 E. McDowell Road, 85257, (480) 946-7487

### ARKANSAS

**FT. SMITH** - Bromley Appliance Service, 614 North 10th Street, 72901, (501) 782-9646

**GLENWOOD** - Gardening Plus, 110 North 2nd Street, 71943, (870) 356-2233

**JONESBORO** - Best Sewing & Vacuum & Repair, 2235 S. Caraway Road, 72401, (501) 935-4739, (800) 844-4739

**LITTLE ROCK** - C & W Tool Repair, 1303 W. Markham, 72201, (501) 374-1911

**ROGERS** - Kressel's Vacuum & Repair, 115 North 5th Street, 72756, (501) 636-7894

**STUTTGART** - Davis Lumber Company, 301 East Michigan, 72160, (501) 673-3601

### CALIFORNIA

**ANDERSON** - Hardware Express/Do It Best, 2681 Balls Ferry Road, 96007, (916) 365-3783

**BAKERSFIELD** - Southwest TV, 6300 White Lane, Suite B, 93309, (805) 397-4940

**CONCORD** - California Electric Service Center, 1170-G Burnett Avenue, 94520, (510) 827-1011

**COVINA** - California Electric Service Center, 612 Shoppers Lane, 91723, (818) 915-4935

**FORT JONES** - Ft. Jones Frontier Hardware, 11911 Main Street, 96032, (916) 468-2266

**FRESNO** - Valley Small Appliance, 4005 E. Ashlan Avenue, 93726, (209) 224-5530

**FULLERTON** - California Electric Service Center, 1208 E. Ash Avenue, 92631-5020, (714) 870-0900

**LAKE FOREST** - California Electric Service, 22500 Muirlands Suite B, 92630, (949) 586-9440

**LOS ALAMITOS** - California Electric Service Center, 11284 Los Alamitos Blvd., 90720, (562) 430-2668

**OAKLAND** - California Electric Service Center, 1139 E. 12th Street, 94606, (510) 834-1050

**PASADENA** - California Electric Service Center, 2594 E. Colorado Blvd., 91107, (818) 792-3194

**SACRAMENTO** - California Electric Service Center, 1821 "Q" Street, 95814, (916) 443-5711

**SALINAS** - SRS Hobbies, 1038A North Davis Road, 93907, (831) 424-4044, (800) 414-4547

**SAN DIEGO** - California Electric Service Center, 3430 El Cajon Blvd., 92104, (619) 283-6488

**SAN JOSE** - California Electric Service Center, 481 So. Bascom, 95126, (408) 295-1723

**SANTA ROSA** - Hardisty's Inc., 710 Farmers Lane, 95405, (707) 545-0535

**SKY FOREST** - Sky Forest Electrical, 28670 Highway 18 P.O. Box 496, 92385, (909) 337-0811

**VAN NUYS** - California Electric Service Center, 14753 Oxnard Blvd., 91411, (818) 997-8855

**VENTURA** - Appliance Advantage, 4547 Telephone Rd., Suite A, 93003, (805) 650-0716, (800) 960-2125

**YUCAIPA** - Aire-Rite Heating & A/C, 34724 Yucaipa Blvd., 92399, (909) 797-2788

### COLORADO

**COLORADO SPRINGS** - Nelson Appliance Repair, Inc., 1220 E. Fillmore, 80907, (719) 635-1928, (800) 291-8010

**DENVER** - Appliance Service, 4272 Lowell Blvd., 80211, (303) 458-1109, (800) 631-0941 (CO, WY only)

**GRAND JUNCTION** - V & L Appliance Service, 591 25 Road Suite A6, 81506, (970) 243-3360

**PUEBLO** - Direct Maytag Home Appliance, 1407 Santa Fe Drive, 81006, (719) 543-0777

### CONNECTICUT

**HARTFORD** - Hartford Element & Appliance Service, 1500 Albany Ave., 06112, (860) 246-7424, (800) 787-7977

**NEW HAVEN (HAMDEN)** - New Haven Appliance Service Center, 1627 Dixwell Ave., 06514, (203) 288-6229

**SHELTON** - Jeff's Appliance & Vacuums, 66 Center Street, 06484, (203) 924-8997

**STAMFORD** - Appliance Servicenter of Stamford, 15 Cedar Heights Road, 06905, (203) 322-7656

**WATERBURY** - P.J. Appliance Repair, 935 South Main Street, 06706, (203) 757-1014

### DELAWARE

**WILMINGTON** - Lyons Hardware, Inc., 2021 Kirkwood Highway, 19805, (302) 995-1260

**SHELBYVILLE** - Ahern & Sons Inc., #2 S. Dupont Hwy., RT #2, 19975, (302) 436-4100

### FLORIDA

**ATLANTIC BEACH** - First Coast Repair, 25 Seminole Road, 32233, (904) 246-4616

**BOYNTON BEACH** - Palm Beach Vacuum, Inc., 1865 W. Woolbright Road, 33425, (561) 243-9999

**CALLAHAN** - Arc Electronic Repair, 951 Blackhills Dr., Suite D, 32011, (904) 879-3556

**CAPE CORAL** - Family Hardware/Do-It Express, 622 SE 47th Terrace, 33904, (941) 542-6365

**DELRAY** - Mister Fix It, 209 S.E. 2nd Avenue, 33483, (561) 243-9999

**GAINESVILLE** - Authorized Appliance Service Co., 2614 S.W. 34th Street, 32608, (352) 375-3886

**HIALEAH** - S-O Service Co., 925 Hialeah Drive, 33010, (305) 887-6275

**HOMESTEAD** - C. M. S., Inc., 1996 N. E. Campbell Drive, 33033, (305) 247-9700

**JACKSONVILLE** - Authorized Appliance Service Co., 6120-5 Powers Avenue, 32217, (904) 737-5312

**LAKECITY** - S&S Mowers Inc., RT. 10, Box 35916, 32025, (904) 755-2957

**LAKELAND** - Electric Shaver & Small Appliance, 4243 S. Florida Avenue, 33813, (863) 644-4690

**MIAMI** - Goodman's Sales & Service, 13130 SW 128 Street #3, 33186, (305) 278-8822

**NORTH PALM BEACH** - Appliance Doctors, 450 Northlake Blvd., 33408, (407) 845-0377

**OCALA** - Vacuums Center and Gifts, 422 South Pine Street, #103, 34474, (352) 732-6335

**ORLANDO** - Pine Hills Appliance Svc. Co., 6100-4 W. Colonial Drive, 32808, (407) 299-1271

**ORLANDO** - Southern Electric Co., 510 N. Parramore Avenue, 32801, (407) 841-8824, (800) 940-8824

**PANAMA CITY** - Callaway Vacuum & Sewing, 221 N. Tyndall Prkwy., 32404, (904) 763-6333

**PENSACOLA** - Foster's Appliance Repair, 3836 N. Davis Highway, 32503, (904) 432-8853

**POMPANO BEACH** - Authorized Appliance Service Co., 2171 N. Dixie Highway, 33060, (954) 941-2038

**PORT ST. LUCIE** - Appliance Doctors, 10632 South Federal Hwy, 34952, (561) 878-7869

**SARASOTA** - Sunray Small Appliances, 8371 N. Tamiami, 34243, (941) 358-9999, (800) 895-5655

**SEBRING** - Ace Hardware Of Sebring, 305 U.S. 27 North, 33870, (863) 385-2785

**SPRING HILL** - Ace Hardware #5304F, 5350 Spring Hill Dr., 34606, (352) 686-4743

**SPRING HILL** - National Floor Care, 5588 Commercial Way, 34606, (352) 686-6711, (800) 245-1946

**ST. PETERSBURG** - Keystone Electric, 4604 Central Avenue, 33711, (813) 321-1124

**STUART** - Appliance Doctors, 3166 S.E. Dixie Highway, 34997, (561) 287-6437

**SUNRISE** - Muller Appliance Service, 2116 North University Drive, 33322, (954) 749-5460

**VERO BEACH** - Hoppe's Authorized Vacuum and Appliance, 1872 Commerce Ave., 32960, (561) 562-4466

**WEST PALM BEACH** - Satisfaction TV Video, 1980 South Congress Ave., 33406, (561) 439-3733, (800) 477-3734

**WILLISTON** - Future Electronics, 10 SW 7th Street, 32696, (352) 528-5599, (800) 416-1114

### GEORGIA

**AUGUSTA** - A & A Appliance Parts & Service, 1708 Walton Way, 30904, (706) 733-5163

**BRUNSWICK** - Arco Hardware & Supply, 3711 Community Road, 31520, (912) 267-0771

**COLUMBUS** - Burrell's National Appliance Service, 1728 Warm Springs Road, 31904, (706) 327-0523

**NORCROSS** - Appliance Connection, 5172-C Brook Hollow Parkway, 30071, (770) 734-9888, (800) 964-7455

**GAINESVILLE** - Bike Town USA, 1604 Dawsonville Highway, 30501, (770) 532-7090

**LOGANVILLE** - Loganville Lawn Mower, 157 C. S. Floyd Road, 30052, (770) 466-9111

**SAVANNAH** - Hagins Appliance Service, 3 West Victory Drive, 31405, (912) 233-5163

**THOMASVILLE** - Carroll Hill Auto, 115 Albany Road, 31799, (912) 266-0717

**VALDOSTA** - Harry B. Anderson, Inc., 204 E. Central Avenue, 31601, (912) 242-5945

**WOODSTOCK** - All City Appliance Inc., 8477 Highway 92 Suite 110, 30189, (770) 924-2375

### HAWAII

**HONOLULU** - McCully Bicycle & Sporting Goods, 932 Hausten Street, 96826, (808) 946-1192

**WAILUKU (MAUI)** - Tom's Appliance Sales & Service, 1816 Mill Street, Suite 104, 96793, (808) 244-6278

**WAIPAHU** - Gary's Bike World, 94-910 Moloalo Street, 96797, (808) 375-4262

### IDAHO

**BOISE** - Boise Appliance, 1503 Main Street, 83702, (208) 343-0102

**IDAHO FALLS** - Rossiter Electric, 1501 South Capital Avenue, 83402, (208) 529-3665

### ILLINOIS

**CHICAGO (BERWYN)** - Brand Service Center, 6739 West Cermak, 60402, (708) 749-4315

**CHICAGO (DOWNER'S GROVE)** - Authorized Appliance Service Co., 1644 W. Ogden Avenue, 60515, (630) 852-1550

**CHICAGO (MORTON GROVE)** - Brand Service Center, Inc., 5618 Dempster Street, 60053, (847) 965-5900

**DECATUR** - Rexx Battery of Decatur, Inc., 1300 East Eldorado, 62521, (217) 422-0281

**FAIRVIEW HEIGHTS** - Rapid Rentals, 720 Lincoln Highway, 62087, (618) 632-0630

**GRANITE** - Midwest Golf Car & Equipment Co., 904 Thorngate Road, 62040, (618) 797-2278

**HAMILTON** - Discount Battery Sales, #80 S 2nd Rte. 136, 62341, (217) 847-3242

**JACKSONVILLE** - Rexx Battery Specialists, 847 South Main Street, 62650, (217) 245-2713



## Authorized Service Centers

**LINCOLN** - Rexx Battery Specialists, 504 Keokuk, 62656, (217) 732-2885

**LOVES PARK** - Hi-Tech Controls Inc., 2198 Nimtz Road, 61111, (815) 637-4015

**MT. VERNON** - Battery Specialists, 1018 South 10th Street, 62864, (618) 244-0091

**NASHVILLE** - Kesel Hardware, 173 West St. Louis, 62263, (618) 327-8957

**NILES** - Household Appliance Sales & Serv., 7411 N. Milwaukee Ave., 60714, (847) 647-8250

**SPRINGFIELD** - Bannon Electronics, 1224 N. Franklin, 62702, (217) 523-0313

**TAYLORVILLE** - Battery Specialists + Golf Cars, 800 Springfield Road, 62568, (217) 824-3943

### INDIANA

**EVANSVILLE** - Electro Hygiene Co., 1614 S Kentucky, 47714, (812) 425-2671

**FT. WAYNE** - Southside Vacuum Co. Inc., 3702 South Calhoun Street, 46807, (219) 745-7788, (888) 209-8113

**INDIANAPOLIS** - Brand Service Center, 1827 N. Meridian Street, 46202, (317) 924-1386

**INDIANAPOLIS** - Sullivan Hardware Do-It Center, 7021 N. Keystone, 46220, (317) 255-9230

**NEW ALBANY** - Wells Hardware, Inc., 1011 Vincennes Street, 47150, (812) 944-4523

**SOUTH BEND** - Ray's TV and Appliance, 60717 US 31 South, 46614, (219) 291-1630

**SOUTH BEND (OSCEOLA)** - AAA Appliance Service Co., 11868 Lincoln Way West, 46561, (219) 679-4981

**TERRE HAUTE** - Corey Electronics, 1101 S. 8th Street, 47802, (812) 232-8786, (888) 232-8786

### IOWA

**BETTENDORF** - K & K True Value Hardware, 1818 Grant Street, 52722, (319) 359-4473

**CEDAR RAPIDS** - Stalker Electric, Inc., 110 3rd Ave. SW, 52404, (319) 364-5646

**COUNCIL BLUFFS** - Millard Television Inc., 1840 Madison Avenue, 51501, (712) 322-9552

**DES MOINES** - Quality Appliance Repair Center, 1417 Walnut Street, 50309, (515) 288-0108

**DUBUQUE** - Shaver's Plus, 450 Central Avenue, 52001, (319) 556-4442

**FT DODGE** - Messerly Electronics, 614 1st Avenue South, 50501, (515) 576-4480

**GRINNELL** - Bikes To You Inc., 921 Broad Street, 50112, (515) 236-8600

**MARSHALLTOWN** - Blink Electric Motors, Inc., Rear 116 N 1st Avenue, 50158, (641) 752-3036

**NORTH LIBERTY** - Ace Electric, Inc., 165 Hwy 965 NE, 52317, (319) 626-3007, (800) 326-3007

**SIoux CITY** - Millard Television Inc., 1419 Hamilton Blvd., 51103, (712) 258-3435

### KANSAS

**CHANUTE** - Zimmerman Electric Service, 1202 West Beech, P.O. Box 533, 67720, (316) 431-2260, (800) 362-0909

**COLBY** - Gavon's Electronics, 1870 South Range, 67701, (913) 462-6601

**JUNCTION CITY** - R/C Hobbies, 115 W. 7th Street, 66441, (913) 238-1877

**KANSAS CITY (OVERLAND PARK)** - Mar-Beck Appliance Service Co., 8471 West 95th Street, 66212, (913) 642-1557

**SPEARVILLE** - Quality Parts, P.O. Box 126, 406 North Main, 67876, (316) 385-2624

**WICHITA** - Alan Appliance Service, Inc., 1300 E. Central, 67214, (316) 262-7228, (800) 290-7228

### KENTUCKY

**GREENVILLE** - Malone Lumber Do-It Center, 204 W. Depot Street, 42345, (270) 338-3252

**LEXINGTON** - AutoHobby Model Raceway, 1474 Anniston Drive, 40505, (859) 299-4925

**LOUISVILLE** - Maury's Fluorescent & Appliance Service, 1521 Bardstown Road, 40205, (502) 456-1671

**OWENSBORO** - Kuester's Hardware, 1210 Carter Road, 42301, (270) 685-4916

**PADUCAH** - Hank Brothers True Value, 3101 Lone Oak Rd., 42003, (270) 554-4001

### LOUISIANA

**BAKER** - Gayle Battery Distributors, 16555 Plank Road, 70714, (225) 774-7475

**BATON ROUGE** - Home Appliance Service, Inc., 10781 Florida Blvd., 70815, (504) 272-7727

**HAMMOND** - Battery Depot, 2323 Hwy 190 East Suite #4, 70401, (504) 542-4983

**LAFAYETTE** - Cullen's Playland, 4498 Johnston Street, 70503, (337) 981-2929

**LAKE CHARLES** - Capitol Schwinn Cyclery, 722 E. Prien Lake Road, 70605, (337) 474-9090

**NEW IBERIA** - Voorhies Supply Company, 401 W. St. Peter Street, 70560, (337) 364-2431

**NEW ORLEANS (METAIRIE)** - Le Jouet, Inc., 1700 Airline Hwy., 70001, (504) 837-0533

**SHREVEPORT** - Shreveport Shaver and Appliance, 9750 St. Vincent, Burt Kouns Ind. Loop, 71106, (318) 865-5088, (800) 349-7722

### MAINE

**GREENE** - Brule's Auto Clinic & Sales, 968 Sawyer Road, 04236, (207) 375-4872

**PERU** - Mountain Valley Sports, 58 Ridge Road, 04290, (207) 562-7164

**PORTLAND** - Colonial Electronics, Inc., 259 St. John Street, 04102, (207) 774-6666

### MARYLAND

**ABERDEEN** - Burkheimer Garden Equipment, 651 Gilbert Road, 21001, (410) 734-4577

**BALTIMORE** - Colgate Hardware, 6711 Holabird Ave., 21222, (410) 633-6363

**BERLIN** - Myers Auto-Power Tool Rental Co., Inc., 10714 Ocean Gateway, 21811, (410) 641-3497

**GAITHERSBURG** - Waters Appliance Service, 216 E. Diamond Avenue, 20877, (301) 258-7500, (800) 225-5009

**GLEN BURNIE** - Taylor Rental, 7389 Baltimore Annapolis Blvd., 21061, (410) 768-1933, (800) 836-8464

**LOVEVILLE** - Hancock Refrigeration Co. Inc., 28650 Point Lookout Rd, 20656, (301) 475-8298

### MASSACHUSETTS

**BOSTON (MEDFIELD)** - Wills Hardware, 5 Janes Avenue, 02052, (508) 359-4381

**LOWELL** - Lowell Appliance Service Center, Inc., 564 Dutton Street, 01854, (508) 454-8731

**MAYNARD** - Gramp's Garage, 16 Main Street, 01754, (508) 461-0463

**NEEDHAM** - Suburban Appliance Service Center, 34 Wexford Street, 02492, (781) 449-8787

**QUINCY** - Appliance Service and Parts, Inc., 582 Washington Street, Rt. 3A, 02169, (617) 773-6656

**SALEM** - Fix Master, Inc., 190 North Street, 01970, (508) 745-0004

**SPRINGFIELD** - Utility Electric Service, Inc., 810 Main Street, 01101, (413) 781-1635

### MICHIGAN

**ALMA** - JTS Electronics, LLC, 306 East Center Street, 48801, (517) 463-5871

**ALMONT** - Almont Do It Center #5336, 4545 Vandyke, 48003, (810) 798-8922

**BAY CITY** - Bay Vac & Pedal, 805 Columbus Ave., 48708, (517) 892-7516

**BRIGHTON** - Complete Battery Source, 8023 W. Grand River, 48116, (810) 220-1050

**DEARBORN** - McNichols Electric Service, 1836 Grindley Park, 48124, (313) 563-7550

**DETROIT** - McNichols Electric Service, 13725 W. McNichols, 48235, (313) 342-6070, (800) 562-4226

**DETROIT (ROYAL OAK)** - McNichols Electric Service, 4115 West 13 Mile Road, 48072, (810) 288-5135

**FLINT (DAVISON)** - Gill-Roy's Hardware, 8405 E Davison, 48423, (810) 653-2288

**FLINT (SWARTZ CREEK)** - Gill-Roy's Hardware, 9061 Miller Road, 48473, (810) 635-2020

**GAYLORD** - Alpine Electronics, 604 West Main, 49735, (517) 732-5004, (800) 244-6633

**GRAND RAPIDS** - Superior Appliance Service Co., 1050 Scribner Avenue, NW, 49504, (616) 459-3271

**JACKSON** - Hammond Hardware, 1800 Francis St., P.O. Box 7, 49204, (517) 782-0704

**LANSING** - Rapid Appliance Service, Inc., 1454 E. Michigan Avenue, 48912, (517) 485-1320

**MARLETTE** - Thumb Appliance and Retail Center, 3441 Main Street, 49684, (517) 635-7848

**MIDLAND** - Gill-Roy's Complete Hardware, 3128 Jefferson Ave., 48640, (517) 832-2774

**PRUDENVILLE** - Ford's Do-It Center, 841 W. Houghton Lake Drive, 48651, (517) 366-7622

**ROYAL OAK** - McNichols Electric Service, 4115 Thirteen Mile Road, 48072, (248) 288-5135

**TRAVERSE CITY** - Gil-Roy's Hardware, 2701 Zimmerman Road, 49684, (231) 929-8160

### MINNESOTA

**BLAINE** - Barnes #1, 8701 Central Ave. NE, 55434, (763) 780-7229

**BRAINERD** - Git A'Round, 4299 Hwy. 371 North, 56401, (218) 828-8088

**DULUTH** - All Brand Mr. Fixit, 16 West First Street, 55802, (218)-722-1499

**ST. PAUL** - Barnes, 1573 University Avenue, 55104, (612) 646-3109

### MISSISSIPPI

**HATTIESBURG** - Champion Cycle & Fitness, 2625 Lincoln Road, 39402, (601) 310-0270

**IUKA** - W. H. Fairless Hardware Co., Inc., 117 Fulton Street, 38852, (662) 423-9256, (800) 797-9457

**JACKSON (RIDGELAND)** - Propeller Service, 291 Hwy. 51, Suite D6, 39157, (601) 856-3191

**MERIDIAN** - Broadmore Home Center, 2420 Old North Hills Street, P.O. Box 3280, 39305, (601) 483-7373

**SALTILLO** - Polaris Outdoor World, 3463 Tom Watson Drive, 38866, (662) 680-4733

**STARKVILLE** - East Mississippi Lumber Co., 300 Russell Street, 39759, (662) 323-3554

### MISSOURI

**GLADSTONE** - Mar-Beck Appliance Service Co., 6559 North Oak Traffic Way, 64118, (816) 436-9191

**HANNIBAL** - Williams Equipment & Electric Motor, 124 Corporate Square, 63401, (573) 248-3887, (877) 234-6873

**INDEPENDENCE** - Mar-Beck Appliance Service Co., 4476 South Noland Road, 64055, (816) 478-1889

**KANSAS CITY** - Mar-Beck Appliance Service Co., 303 W. 79th Street, 64114, (816) 523-6931

**POPLAR BLUFF** - Mills Iron & Supply, 1919 S. Westwood Blvd., 63901, (573) 785-2628

**ST. LOUIS** - Authorized Appliance, Inc., 2355 Hampton Avenue, 63139, (314) 647-4250

### MONTANA

**BILLINGS** - Radio Equipment Company, 1120 16th Street West, 59104, (406) 256-9778, (800) 711-4024

### NEBRASKA

**GRAND ISLAND** - Mundt's Small Appliance & Vacuum Repair, 1822 W. Northfront Street, 68803, (308) 382-5084

**LINCOLN** - CB Small Appliance, 432 South 11th Street, 68508, (402) 475-2546

**LINCOLN** - Sperry TV, 1115 North 47th St., 68503, (402) 464-9181

**LINCOLN** - Sperry TV, 3201 Pioneer Suite 33, 68502, (402) 327-8111

**NORTH PLATTE** - Sperry TV, 1855 West A Street, Westfield Shopping Center, 69010, (308) 532-5200

**OMAHA** - Myers Electric Co., 7342 Farnam, 68114, (402) 393-8388, (800) 234-1414

### NEVADA

**LAS VEGAS** - Burney's Commercial Service, Inc., 4480 Aldebaran Avenue, 89103, (702) 736-0006

**MINDEN** - Valley Home & Sport Center, 1587 Highway 395, 89423, (775) 782-5111

### NEW HAMPSHIRE

**MARLBOROUGH** - Electronics Aid Inc., 32 Roxbury Road P.O. Box 325, 03455, (603) 876-4161

### NEW JERSEY

**DENVILLE** - Ranft's Denville Vacuum & Appliance, 12 Broadway, 07834, (973) 627-1156

**HAWTHORNE** - Ter Kuile, Inc., 206 Diamond Bridge Avenue, 07506, (201) 423-1142

## Authorized Service Centers

**HIGHLAND PARK** - Dash Electronics,  
10 North Second Ave, 08904, (732) 247-2495

**HOWELL** - South Jersey TV Service, Inc., 4232 Rt. 9  
South, 07731, (908) 363-5550, (800) 244-3094

**MAPLEWOOD** - Kiss Electrical, 36 Newark Way,  
07040, (973) 275-9400

**SOUTHAMPTON** - Southampton Auto Center,  
1831 Rt. 206, 08088, (609) 859-3987, (609) 859-3341

**SICKLERVILLE** - Sickler Hardware,  
540 Williamstown Road, 08081, (856) 728-3800

**TOMS RIVER** - South Jersey TV Service, Inc., Stella  
Towne Center, 1258 Rt. 166, 08753, (908) 505-1771

**TRENTON** - Tattersall, Inc., 309 N. Willow Street,  
08618, (609) 393-4293

### NEW MEXICO

**ALBUQUERQUE** - Appliance Service Center,  
5505 Silver Avenue, SE, 87108, (505) 265-7774

**CLOVIS** - Burns Hardware, 1511 N. Prince, 88101,  
(505) 769-2528

### NEW YORK

**ALBANY** - Lake Electronic Service, 1650 Central  
Avenue, 12205, (518) 869-8424, (800) 585-3777

**BAYSHORE, L.I.** - Turnpike Appliance of Suffolk, Inc.,  
1253 Sunrise Highway, 11706, (631) 665-8311

**BINGHAMTON** - Hardware Fare DO-IT Center,  
1139 Front Street, Nimmonsburg Square, 13905,  
(607) 722-9202

**BRONX** - Home Appliance Vacuum Word,  
5902 Riverdale Avenue, 10471, (718) 884-4600

**BUFFALO (WILLIAMSVILLE)** - Hector's Hardware,  
876 Maple Road, 14221, (716) 688-4488

**BUFFALO (HAMBURG)** - K-Technologies,  
5424 Abel Road, 14075, (716) 649-5460

**COMMACK, L.I.** - Turnpike Appliance Service,  
6181 Jericho Turnpike, 11725, (631) 499-3355

**EAST AURORA** - Sem-Fab of Western New York,  
455 Olean Road, 14052, (716) 655-5228

**ELMIRA** - Capabilities, Inc., 1149 Sullivan Street,  
14901, (607) 734-2006

**HOWARD BEACH** - Crossbay Appliance Service,  
158-34 Crossbay Blvd, 11414, (718) 843-4422

**HUDSON** - Sweeps Vacuum & Repair Center, Inc.,  
705 Warren Street, 12534, (518) 828-5457

**MONTICELLO** - Wayne's Small Engine, 66 St. John  
Street, 12701, (845) 796-1851

**OCEANSIDE** - Turnpike Appliance Service,  
3495A Lawson Boulevard, 11572, (516) 486-5700

**POUGHKEEPSIE** - S & S Appliance Sales & Service,  
390 Violet Avenue, 12601, (914) 452-6122

**RICHMOND HILL** - Lockdoctor Locksmiths,  
104-37 Atlantic Ave., 11418 (718) 441-6242

**ROCHESTER** - Benfante Appliance Service,  
1286 Mt. Hope Avenue, 14620, (716) 473-8765

**STATEN ISLAND** - Springstead Lumber 6232,  
4255 Amboy Road, 10308, (718) 984-0300

**SYRACUSE** - County Wide Appliance, 1001 N. State  
Street, 13208, (315) 479-5253, (877) 479-5253

**TUCKAHOE** - Authorized Appliance of Westchester,  
26 Columbus Ave., 10707, (914) 961-8011

**WARWICK** - Wadson Home Center, 60 Forester Ave.,  
10990, (845) 987-2215, (800) 982-2215 (NY only)

**YORKVILLE** - Yorkville Battery Inc., 126 Whitesboro  
Street, 13495, (315) 736-2307

### NORTH CAROLINA

**ANDREWS** - Smoky Mountain Hobbies, 200 Stewart  
Road, 28901, (828) 321-9836

**ASHEVILLE** - Skyland Hardware, 3179 Sweeten  
Creek Road, 28803, (704) 684-0308

**CHARLOTTE** - Authorized Appliance Servicenter,  
1020 Tuckaseegee Road, 28208, (704) 377-4501,  
(800) 532-6127

**CLINTON** - Danny's Service Center, 119 Vance Street,  
28328, (910) 592-3200

**ELIZABETH CITY** - Coastal Office Equipment Co.,  
501 East Church Street, 27909, (919) 335-2927

**GREENSBORO** - Little Creek Electronics,  
3310 N. Church Street, 27406, (336) 375-9890,  
(877) 446-7144

**JACKSONVILLE** - Discount Sales and Service,  
468-B Western Blvd., 28456, (910) 455-6700

**RALEIGH** - Authorized Appliance Service Center,  
800 North Person Street, 27604, (919) 834-3476

**WINSTON-SALEM** - Authorized Appliance Service  
Center, 904 S. Marshall Street, 27117, (910) 725-5396

### NORTH DAKOTA

**BISMARCK** - Guitarland, 210 E Main Street, 58501,  
(701) 255-0212

**DICKINSON** - Fix It Shop, 316 21st Street E, 58601,  
(800) 871-0766

**FARGO** - General Parts & Supply Co., 10 S. 18th St,  
58103, (701) 235-4161, (800) 279-9987

### OHIO

**AKRON** - Advanced Appliance Service Company,  
73 W. Exchange Street, 44308, (330) 762-8968

**BROOKLYN HEIGHTS** - Philips Consumer,  
950 Keynote Circle, 44131, (216) 741-3334,  
(800) 331-7037

**CANTON** - Appliance Parts Co., 1267 Dueber Avenue,  
SW, 44706, (330) 453-8077

**CINCINNATI** - H&S Service, 458 Cincinnati Batavia  
Pike, 45244, (513) 528-0808

**CLEVELAND (MENTOR)** - Lake Erie Lawn & Garden,  
7833 Munson Rd., 44060, (216) 257-9000

**CLEVELAND (PARMA)** - Majors Appliance,  
5785 Ridge Road, 44129, (216) 884-7200

**CLEVELAND (WESTLAKE)** - Philips Consumer  
Electronics, 24090 Detroit Avenue, 44145,  
(216) 899-2040, (800) 331-7037

**DAYTON** - Layer Electric, 603 South Ludlow Street,  
45402, (937) 224-9608

**DAYTON (NEW CARLISLE)** - Ballweg Do-It Center,  
3300 South Dayton, Lakeview Rd., 45344,  
(937) 849-1306

**GALION** - Allied Electrical Repair, 1404 Harding Way  
East, 44833, (419) 468-4962, (800) 648-6771

**LIMA** - Crouse Lumber Do-It Center, 333 E. Market  
Street, 45801, (419) 229-9070, (800) 826-9663

**MANSFIELD** - Boliantz Hardware, 860 Ashland Road,  
44905, (419) 589-5467

**PORTSMOUTH** - Market St Hardware & Toy Town,  
217 Market Street, 45662, (740) 456-5704

**TOLEDO** - Broadway Sales and Appliance Repair,  
1621 Broadway, 43609, (419) 241-9731,  
(800) 436-5415

**WELLINGTON** - Travelite Inc., 100 Industrial Avenue,  
P.O. Box 60, 44090, (440) 647-3670, (800) 326-0406

**YOUNGSTOWN** - O'Connor's, 3224 Market Street,  
44507, (330) 782-4705

### OKLAHOMA

**McCALESTER** - Quality Upholstery, 803 East Gene  
Stipe Blvd., 74501, (918) 423-4747

**OKLAHOMA CITY** - Appliance Services by CK,  
101 East Madison, 73105, (405) 525-8862

**OKLAHOMA CITY** - Oklahoma Service Center,  
1940 North May Street, 73107, (405) 946-9841

**TULSA** - H.L. Moss, Inc., 1714 E. 15th Street, 74104,  
(918) 744-1305, (800) 248-5948

### OREGON

**EUGENE** - Oldfield's, 1465 West 7th, 97402,  
(541) 485-6000, (800) 944-0238

**PORTLAND** - Appliance Repair Central,  
2033 N. E. Columbia Blvd, 97211, (503) 285-1828,  
(800) 588-7339

### PENNSYLVANIA

**ALTOONA** - Frye's Sweeper & Sewing Center, Inc.,  
1400 Valley View Boulevard, 16602, (814) 943-5001,  
(800) 640-1308

**BUTLER** - Battery Warehouse, 469 Cunningham  
Street, 16001, (724) 287-3191

**CRANBERRY** - Batteries Plus North, Cranberry  
Towne Plaza 20808 Route 19, 16066, (724) 742-1690

**ERIE** - Parke T. Morrow Inc., 627 West 26th Street,  
16508, (814) 455-7566

**GROVE CITY** - Battery Warehouse, 620 East Main  
Street, 16127, (724) 458-1655

**HARRISBURG** - C.A. Juillard, Inc., 2301 North  
Seventh Street, 17110, (717) 233-3488,  
(800) 633-3488

**JOHNSTOWN** - Cambria True Value Hardware, West  
Hills Square, Goucher Street, 15905, (814) 255-4752

**KINGSTON** - Vac-Way Appliance & Service,  
595 Market Street, 18704, (570) 288-4508

**LANCASTER** - Colonial Electronics Inc., 241 West  
Roseville Suite #2t, 17601, (717) 560-2222

**McDONALD** - Small Engine World, 130 East O'Hara  
Street, 15057 (724) 926-3330

**MOSCOW** - Vac-Way Appliance & Service, RR #6 Box  
6237, 18444, (570) 842-4668

**ORANGEVILLE** - Hess Do-It Center & Market, Route  
487, Box 4 M, 17859, (570) 683-5162

**PHILADELPHIA** - Appliance Care/Service Corp.,  
6407 Rising Sun Ave., 19111, (215) 725-3112

**PHILADELPHIA (COLLINGDALE)** - J.F. Kenney  
Electric, 920 MacDade Blvd, 19023, (610) 534-7373

**PITTSBURGH** - Batteries Plus, 3912 Library Road,  
15234, (412) 531-1690

**READING** - Electric Repair Co., 502-504 N. 9th Street,  
19604, (610) 376-5444, (800) 422-8171 (PA only)

**SCRANTON** - Vac-Way Appliance and Service,  
601 Cedar Avenue, 18505, (570) 343-1121

**SHAMOKIN DAM** - Willard Battery Outlet,  
138 S. Old Trail, 17876, (570) 743-5383

**SHIPPENVILLE** - Battery Warehouse, 11105 Rt 322  
Riverhill, 16254, (814) 227-2123

**TROY** - Hoover Hardware, 9 Canton, 16947,  
(800) 251-2156, (570) 297-3445

**WILKES-BARRE** - Walter Hardware DO-IT Center,  
57 N. Welles Street, 18702, (570) 823-1406

### PUERTO RICO

**MAYAGUEZ** - Cardona Appliance Service,  
8 San Vicente Street, 00680, (787) 832-8366

**MAYAGUEZ** - AAA Melendez Rental, Calle Post 319  
Sur, 00680, (787) 832-5225

**PONCE** - Ferreteria Vivian, Centro Comercial,  
Los Caobos #7, 00731, (787) 840-0677

**PUERTO NUEVO** - Buckeye Service, 1013 Jesus T.  
Pinero Avenue, 00920, (787) 782-6175

### SOUTH CAROLINA

**AIKEN** - Dunagan's Sewing & Vacuum,  
1536 Whiskey Road, 29803, (803) 649-6777

**BELTON** - American Pro Office Equipment,  
309 Forest Lane, 29627, (864) 338-9041

**CHARLESTON HEIGHTS** - Dorchester Electric  
Service, 3575 Dorchester Avenue, 29405,  
(803) 747-5221

**COLUMBIA** - Authorized Appliance Servicenter,  
1811 Taylor Street, 29202, (803) 254-8414

**DARLINGTON** - Hobbies and More, 1570 South Main  
Street, 29532, (803) 393-0355, FAX (803) 393-8171

**EASLEY** - Trails End Bicycles, 110 Pendleton Street,  
29640, (864) 306-1684

**FORT MILL** - Service Engines Inc., 3356 SC Highway  
51, 29715, (803) 548-1778, (800) 845-1191

**GREENWOOD** - Bikes & Boards & Mopeds,  
203A Montague Avenue, 29646, (864) 229-2453

**SENECA** - Seneca Micronics, 110 East North First,  
29678, (864) 882-6593

### SOUTH DAKOTA

**RAPID CITY** - Mick's Electric, Inc, 1304 Oregon  
Street, 57701, (605) 348-2335

**WINNER** - Nelson's Electronics Inc., 422 West 2nd  
Street P.O. Box 369, 57580, (605) 842-1611,  
(888) 842-1699

### TENNESSEE

**CHATTANOOGA** - Consumer Service Company,  
2607 E 47th Street, 37407, (423) 867-8629

**DANDRIDGE** - Save More Sales, 1291 W Hwy. 25-70,  
37725, (865) 397-1255

**KNOXVILLE** - Appliance & Electric Service Company,  
3613 Sutherland Avenue, 37919, (865) 588-5395,  
(800) 585-5395

**KNOXVILLE** - Authorized Appliance Service Center,  
1206 North Central Street, 37917, (865) 524-3376

**MEMPHIS** - Camp Electric Co., 647 Madison Avenue,  
38103, (901) 527-7543, (800) 238-7345

**NASHVILLE** - Webb's Appliance Service Center, Inc.,  
1519 Church Street, 37203, (615) 329-4079,  
(800) 899-4079

**PINEY FLATS** - Appalachian Small Engines,  
6192 Hwy 11E, 37686, (423) 391-0185

# Authorized Service Centers

## TEXAS

**AMARILLO** - Reid's Appliance Service, Inc.,  
906 Georgia, 79102, (806) 373-8812

**CORPUS CHRISTI** - Brand Appliance & Microwave,  
2751 South Staples, 78404, (361) 854-1851

**DALLAS** - All Type Sales and Service Co., Inc.,  
2835 Irving Blvd., 75207, (214) 638-1170,  
(800) 717-1170

**DALLAS** - Pearsol Appliance Co., 3127 Main Street,  
75226, (214) 939-0930

**FT. WORTH** - Ft. Worth Shaver and Appliance Center,  
1900 Montgomery Street, 76107, (817) 335-9970,  
(800) 816-2126

**HOUSTON** - Brand Service Center, 5727 Richmond  
Avenue, 77057, (713) 782-8910

**KILLEEN** - Master Tech Repairs, 501 West Elms Road  
Suite #10, 76542, (254) 618-5480

**LONGVIEW** - Foster's, 3315 Gilmer Road, 75604,  
(903) 759-3939

**LUBBOCK** - Minter's, 4409 50th Street, 79414,  
(806) 799-3170

**LUFKIN** - STS Audio and Video, 1505 South First  
Street, 75901, (936) 639-4529

**MC ALLEN** - All-In-One Repair Shop, 2313 Lark  
Avenue, 78504, (210) 682-8858

**MIDLAND** - Midland Tool Specialty, 918 South Main,  
79701, (915) 682-4647, (800) 499-0755

**PASADENA** - Larry's TV Service, 3520 Fairmont  
Parkway, 77504, (713) 998-0122

**ROMA** - True Value Hardware, 1004 E. Highway 83,  
(210) 849-1322

**SAN ANTONIO** - Texas Shaver & Appliances,  
8121 Callaghan Road, 78230, (210) 344-8577

**TEMPLE** - Master Tech Repairs, 2819 West Avenue  
North, 76504, (817) 773-8991

**WICHITA FALLS** - Allens Appliance Service,  
2403 10th Street, 76309, (940) 766-2635

## UTAH

**OREM** - The Mending Shed, 1735 South State Street,  
84058, (801) 225-8012, (800) 339-9297

**SALT LAKE CITY** - Appliance Service Center, Inc.,  
210 East 6th South, 84111, (801) 328-9703

**WILLARD** - Peak Electric Co Inc, 780 N 200 W,  
84340, (435) 723-7104

## VIRGINIA

**ALEXANDRIA** - D & S Repair Service, 20 South Dove  
Street., 22314 (703) 683-0009

**FREDERICKSBURG** - Fredericksburg Electrical  
Repair, Inc., 10825-D Houser Drive, 22408,  
(540) 891-7911

**HARRISONBURG (PENN LAIRD)** - J.L. Maintenance  
& Repair, Inc., Rt 2, Box 308, 22846, (540) 289-9844

**LOUISA** - Lakeside Electric Const., 4344 Davis  
Highway Suite 2, 23093, (540) 967-3000

**RICHMOND** - Wells Inc., 3502 Jefferson Davis  
Highway, 23234, (804) 233-6726

**ROANOKE** - Commonwealth Shaver & Appliance  
Service, 5524 Williamson Road, NW, 24012,  
(540) 366-6038

**SOUTH BOSTON** - South Boston True Value,  
307 Broad Street, 24592, (804) 572-6666

**VIRGINIA BEACH** - Commonwealth Electric Shaver,  
549 Newton Road #108, 23462, (757) 490-0500

**WINCHESTER** - Battery Mart of Winchester, Inc.,  
1 Battery Dr., 22601, (703) 655-0065

## WASHINGTON

**ARLINGTON** - Cordz Limited, 105 North Olympic  
Avenue, 98223, (360) 435-2471

**FEDERAL WAY** - Martha Lake Electronics,  
2118 South 314th Street, 98003, (253) 946-9033

**KENNEWICK** - At Home Electronic Service,  
313 East First Avenue, 99336, (509) 586-3800

**LYNNWOOD** - Martha Lake Electronics,  
16521 13th Avenue West, 98037, (425) 743-4178

**RENTON** - Martha Lake Electronics, 212 South West  
43rd, 98055, (425) 251-5417

**SEATTLE** - Action Small Appliance, 2125 2nd Avenue,  
98121, (206) 448-2020

**SEATTLE (BELLEVUE)** - Action Small Appliance  
Service, 1500 145th Place, SE, 98007,  
(206) 643-9806

**SPOKANE** - Aalwaco Appliance, N 3007 Argonne  
Road, 99212, (509) 487-1089

**TACOMA** - Martha Lake Electronics, 2913 South 38th  
Street, 98409, (253) 475-0668

## WEST VIRGINIA

**BECKLEY** - Jerry's Detectors, Vacuum & Appl. Svc.,  
411 Second Street. 25801, (304) 253-3521

**CHARLESTON** - Sneed's Vacuum & Sewing Center,  
2614 7th Avenue, 25312, (304) 744-3670,  
(800) 245-8048 (WV only)

**HUNTINGTON** - Mike's Appliance and Service,  
212 20th Street, 25703, (304) 522-0737

**MARTINSBURG** - Battery Mart, 1161-3 Winchester  
Avenue, 25401, (304) 267-7033, (800) 464-7918

**PARKERSBURG** - Battery Mart, 656 Seventh Street,  
26101, (304) 424-7250

**VIENNA** - T & S Lawn - Landscape & Power  
Equipment, 1100 10th Street, 26105, (304) 295-7633  
(800) 559-7633

**WHEELING** - Fast Service Center, 1058 Main Street,  
26003, (304) 232-5561 (800) 874-4090

## WISCONSIN

**ELK MOUND** - Epp Electronics, E9485-A County  
Road EE, 54739, (715) 879-4634

**GREENBAY** - Kastle Carts, Inc., 2301 N. Irwin Ave.,  
54313, (414) 465-6121

**LACROSSE** - Paul's Shaver Service, 1224 Caledonia  
Street, 54603, (608) 782-6291

**MILWAUKEE** - Brand Appliance Repair, Inc.,  
6601 W Oklahoma Avenue, 53219, (414) 541-4340

**MONONA** - Kiefers Shaver & Appliance, 4511 Monona  
Drive, 53716, (608) 221-3322



# IMPORTANT!

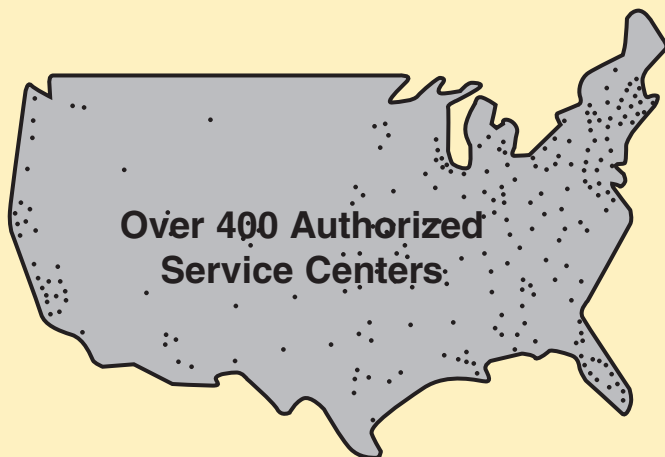
**DO NOT use this vehicle for the first time until you have charged the battery for 18 hours.**

Remember to...

- ✓ Insert a 25 amp fuse (included) into the battery.
- ✓ Charge the battery immediately after each use.
- ✓ Charge the battery once a month during storage, even if the vehicle has not been used.

Failure to follow these instructions will permanently damage your battery and void your warranty. Please refer to the Battery Care Section in this manual for more information.

# DO NOT Return your Vehicle to the Store !



If you are missing parts or need assistance, please call us toll-free:

**Power Wheels® Consumer Relations**

**1-800-348-0751**

**8 AM - 6 PM EST, Monday through Friday.**

Or contact your local Power Wheels® Authorized Service Center.

For the location nearest you, refer to the Authorized Service Center list in this manual.

Fisher-Price, Inc., a subsidiary of Mattel, Inc., East Aurora, New York 14052 U.S.A.  
©2001 Mattel, Inc. All Rights Reserved.

## Free Manuals Download Website

<http://myh66.com>

<http://usermanuals.us>

<http://www.somanuals.com>

<http://www.4manuals.cc>

<http://www.manual-lib.com>

<http://www.404manual.com>

<http://www.luxmanual.com>

<http://aubethermostatmanual.com>

Golf course search by state

<http://golfingnear.com>

Email search by domain

<http://emailbydomain.com>

Auto manuals search

<http://auto.somanuals.com>

TV manuals search

<http://tv.somanuals.com>