

Bounce 'n Play Activity Dome

Model Number: 79534

Instructions



Please save these instructions for future reference.

Adult assembly is required.

Tool needed for assembly: Phillips Screwdriver.

Use only for a child who is unable to push up on hands and knees, pull up or sit unassisted.

Fisher-Price®



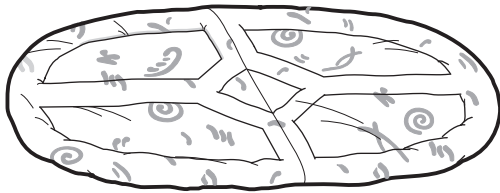
WARNING

- Never leave child unattended.
- To prevent suffocation from entrapment, use only the Fisher-Price® pad provided. Never use additional padding or mattress.
- To prevent falls, use only for a child who is **unable** to push up on hands and knees, pull up or sit unassisted.
- To prevent strangulation:
 - Never place items with a string, such as hood strings or pacifier cords, around a child's neck.
 - Never place this product near a window where cords from blinds or drapes can strangle a child.
- Never place product on an elevated surface.
- Never move or carry this product with a child in it. This product is not designed to be used as a carrier and will become unstable.
- The Bounce 'n Play Activity Dome must be fully erected prior to each use.
- Never use plastic shipping bags or other plastic film as mattress covers. They can cause suffocation.

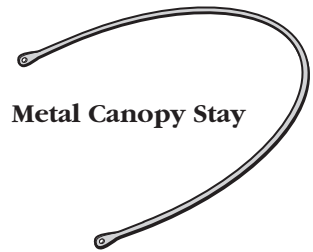
Consumer Information

Occasionally a consumer may experience a problem with one of our products. If this should happen, please call us toll-free, rather than return this product to the store. Usually we can solve the problem on the telephone or by sending you replacement parts. Please call Fisher-Price® Consumer Affairs, toll-free at **1-800-432-KIDS**, 8 AM - 6 PM EST Monday through Friday. Hearing-impaired consumers using TTY/TDD equipment, please call 1-800-382-7470. Or, write to: Fisher-Price® Consumer Affairs, 636 Girard Avenue, East Aurora, New York 14052.

Parts



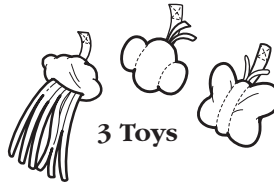
Pad



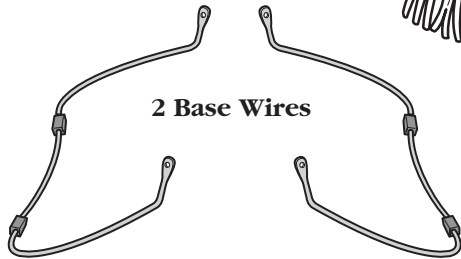
Metal Canopy Stay



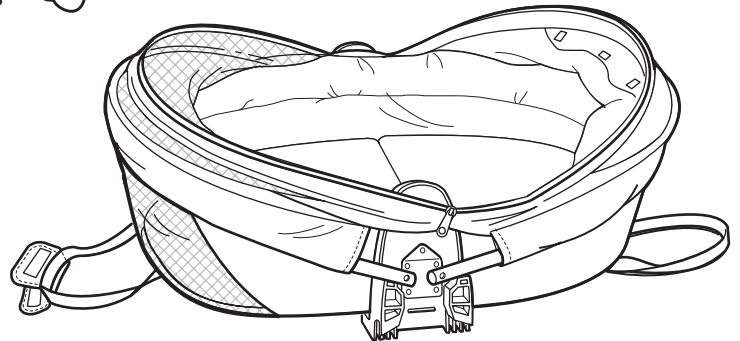
2 Covers



3 Toys



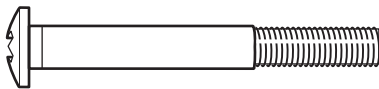
2 Base Wires



Base



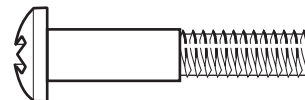
Plastic Mesh Cover Stay



M5 x 1¹³/₁₆" Screw - 2



M5 Lock Nut - 2



M6 x 1³/₈" Screw - 8

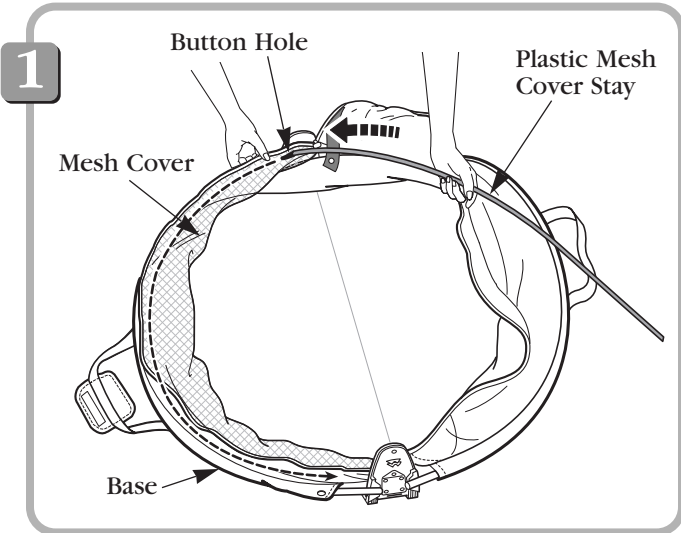


M6 Lock Nut - 8

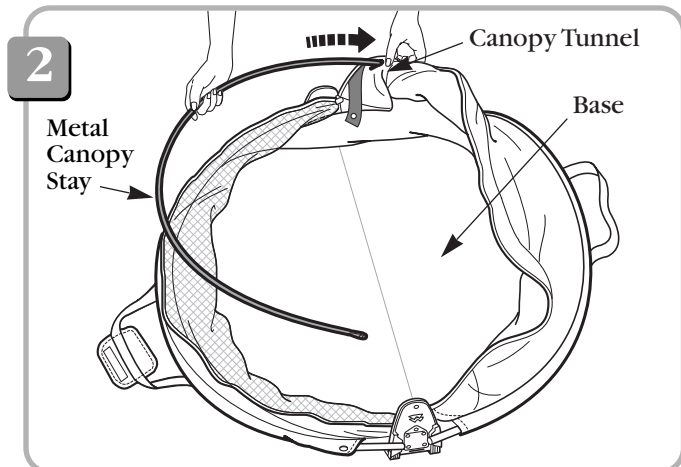
SHOWN ACTUAL SIZE

Assembly

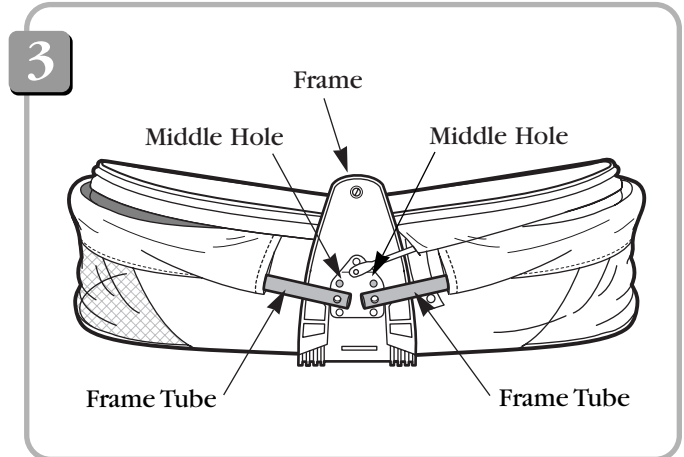
IMPORTANT! Before each use or assembly, inspect this product for damaged hardware, loose joints, missing parts or sharp edges. **DO NOT** use if any parts are missing or broken. Contact Fisher-Price® for replacement parts and instructions if needed. Never substitute parts.



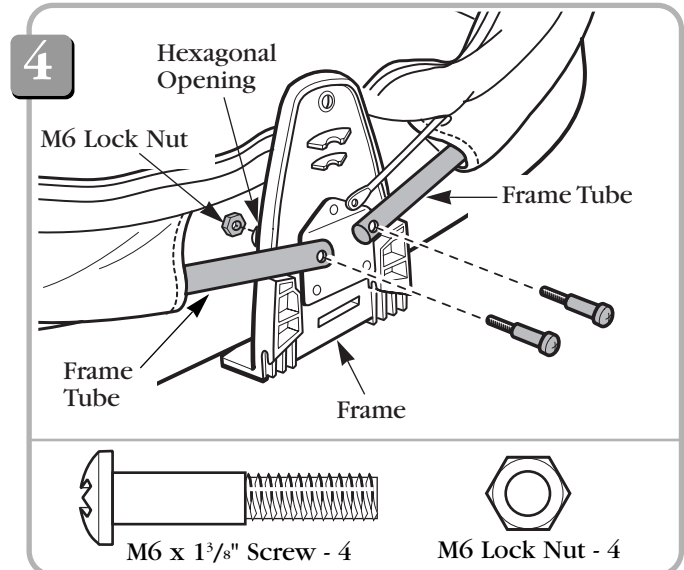
- Position the base upright on a flat surface.
- Locate the end of the base with the mesh cover. Insert the entire plastic mesh cover stay into one of the button holes in the mesh cover.
- Be sure to tuck the plastic mesh cover stay away from the button holes in both sides of the mesh cover.



- Insert the metal canopy stay through the canopy tunnel.



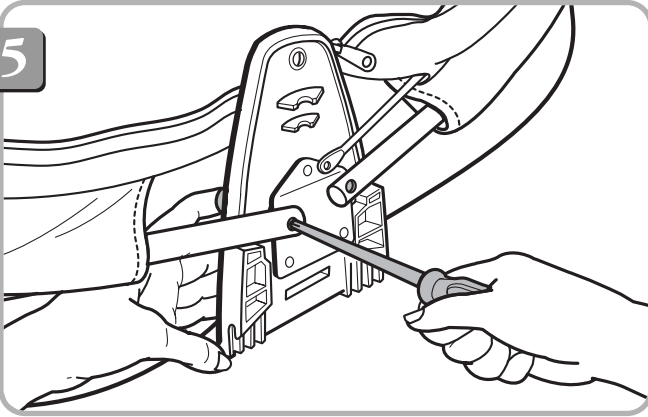
- Position the ends of the frame tubes against the middle holes in a frame.



- Insert an M6 x 1 3/8" screw through each frame tube and into the frame.
- Fit an M6 lock nut into each corresponding hexagonal opening on the back of the frame.

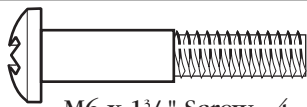
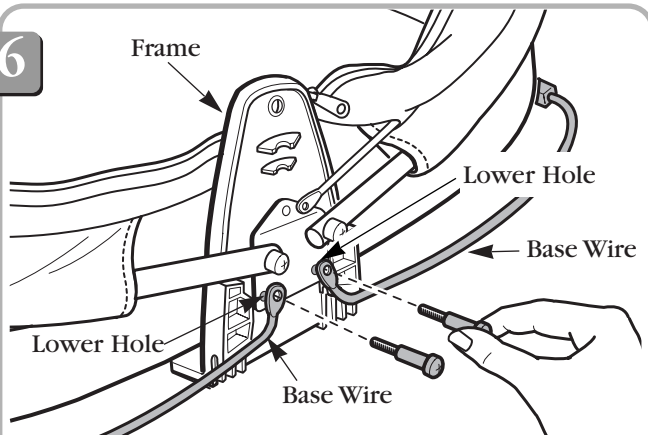
Assembly

5



- Tighten the screws with a Phillips screwdriver. Do not over-tighten.
- Repeat this procedure to attach the other ends of the frame tubes to the frame on the other side of the base.

6



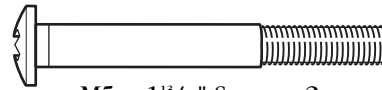
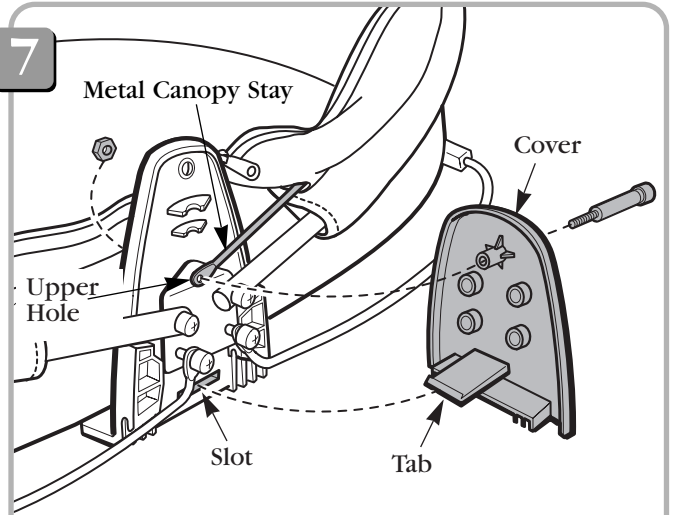
M6 x 1 3/8" Screw - 4



M6 Lock Nut - 4

- Position the base wires around the base so that the ends point upward and are in front of the lower holes in a frame.
- Insert an M6 x 1 3/8" screw through each base wire and into the frame.
- Fit an M6 lock nut into each corresponding hexagonal opening on the back of the frame.
- Tighten the screws with a Phillips screwdriver. Do not over-tighten.
- Repeat this procedure to attach the other ends of the base wires to the frame on the other side of the base.

7



M5 x 1 13/16" Screw - 2



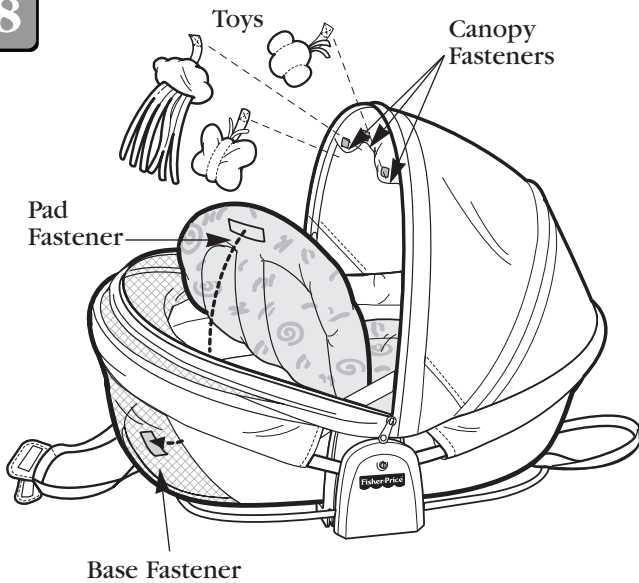
M5 Lock Nut - 2

- Position one end of the metal canopy stay against the upper hole in a frame.
- Insert an M5 x 1 13/16" screw through the hole in the cover.
- Fit the end of the screw through the hole in the metal canopy stay and into the hole in the frame.
- Push on the cover to insert and "snap" the tab on the cover into the slot in the frame. **Make sure you hear a "snap"**.
- Fit an M5 lock nut into the corresponding hexagonal opening on the back of the frame.
- Tighten the screw with a Phillips screwdriver. Do not over-tighten.
- Repeat this procedure to attach the other end of the metal canopy stay and the remaining cover to the frame on the other side of the base.

5

Assembly

8



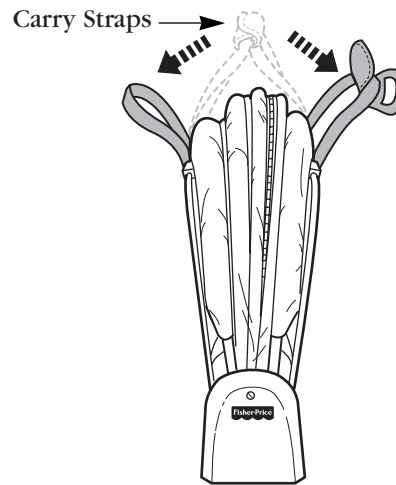
- Lift the canopy.
- Fasten the pad fasteners to the base fasteners.
- Attach the toys to the canopy fasteners.

Assembly is now complete, but Bounce 'n Play Activity Dome is not ready for use. Please refer to the Use instructions, page 7, steps 3 and 4.

Use

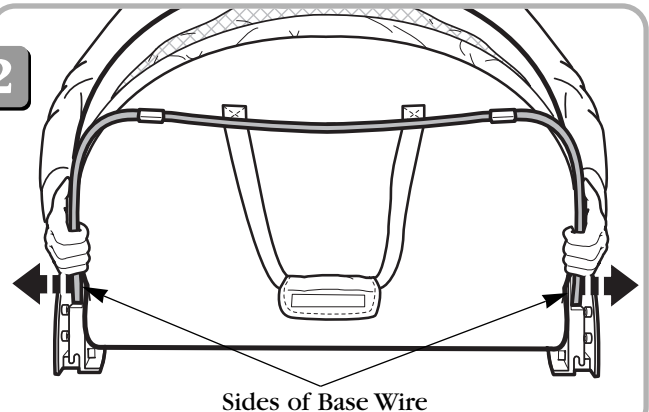
To Unfold

1



- Position the product on a flat surface.
- Unfasten the carry straps.

2

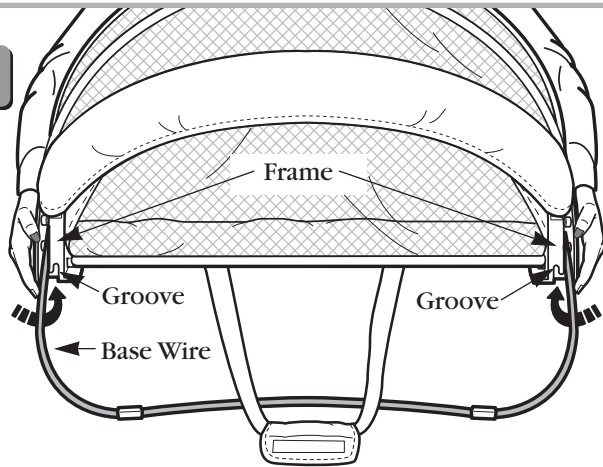


- Grasp both sides of a base wire.
- Pull both sides of the base wire outward and then let the base wire rotate down.

Note: If the base wire does not freely rotate down, pull the sides of the base wire further outward.

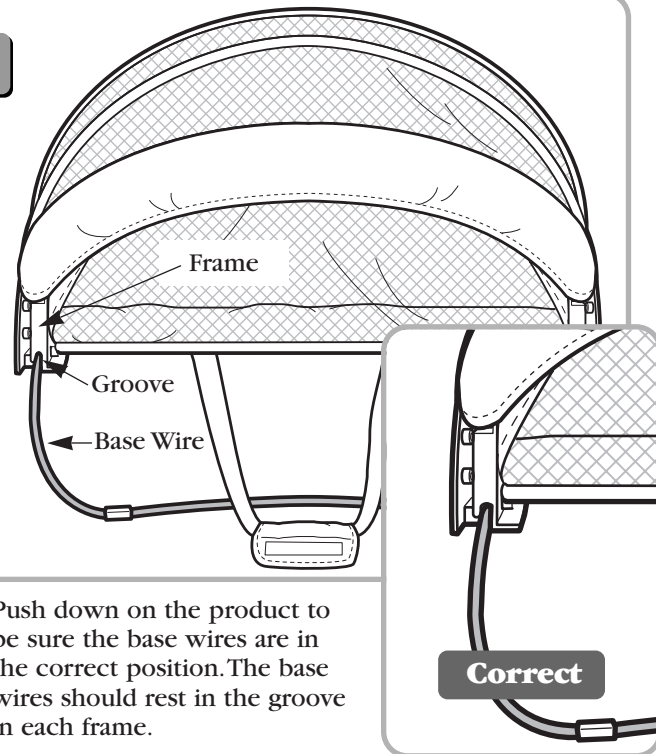
Use

3



- Lift the product up slightly so that the base wire “snaps” into the groove in each frame. **Make sure you hear a “snap”**.
- Repeat Use Steps 2 and 3 to unfold the other base wire.

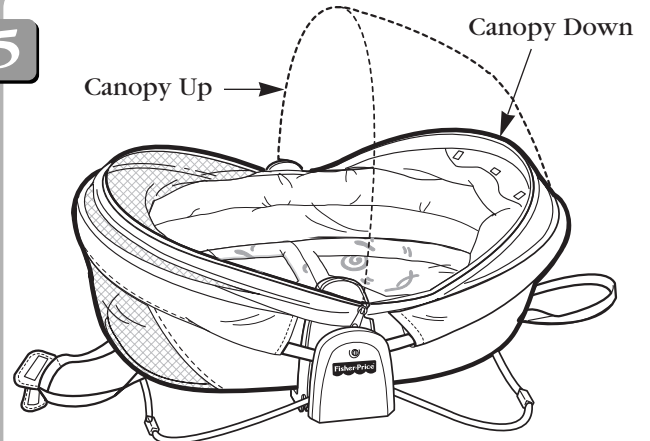
4



- Push down on the product to be sure the base wires are in the correct position. The base wires should rest in the groove in each frame.

Using the Canopy

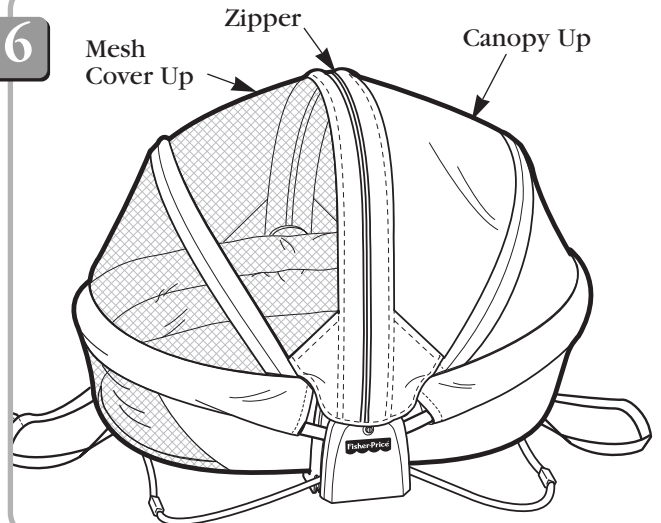
5



- Adjust the canopy up or down.

Using the Mesh Cover

6

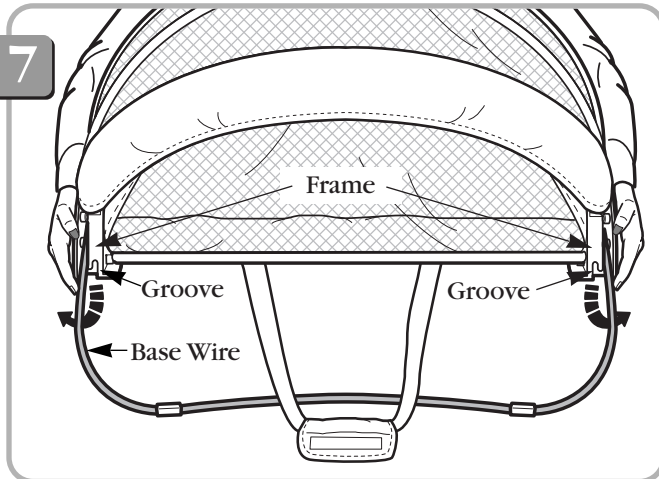


- Adjust the canopy and mesh cover up.
- While holding the mesh cover up, fasten the zipper closed.

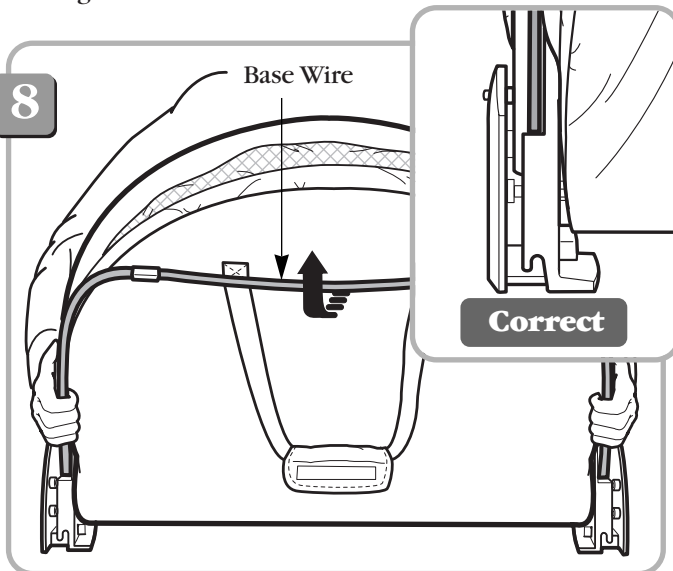
7

Use

To Fold for Portability



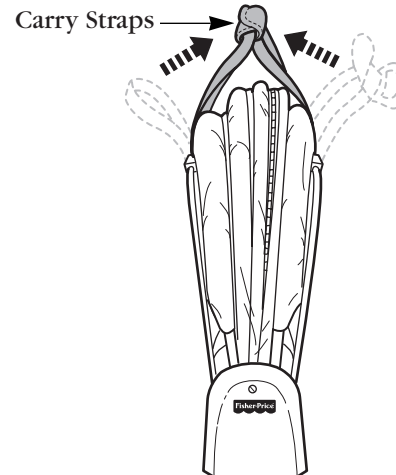
- Grasp both sides of a base wire.
- While lifting the product up slightly, pull both sides of the base wire outward to remove the base wire from the groove in each frame.



- Rotate the base wire up.
- Repeat this procedure to fold the other base wire.

Use

9



- Fasten the carry straps.

Care

The pad is machine washable. Wash the pad separately in cold water on the gentle cycle. Do not use bleach. Tumble dry separately on low heat and remove promptly. The fabric, frame and toys may be wiped clean using a mild cleaning solution and a damp cloth.

www.fisher-price.com

If you have any questions about this product:

In CANADA: Mattel Canada Inc., 6155 Freemont Blvd., Mississauga, Ontario L5R 3W2.
Questions? 1-800-567-7724.

In GREAT BRITAIN: Mattel U.K., Ltd., Helpline: 01628 500302.

In AUSTRALIA: Mattel Australia Pty. Ltd., 658 Church Street, Locked Bag #870, Richmond, Victoria 3121 Australia. Consumer Advisory Service 1-800-800-812 (valid only in Australia).

Free Manuals Download Website

<http://myh66.com>

<http://usermanuals.us>

<http://www.somanuals.com>

<http://www.4manuals.cc>

<http://www.manual-lib.com>

<http://www.404manual.com>

<http://www.luxmanual.com>

<http://aubethermostatmanual.com>

Golf course search by state

<http://golfingnear.com>

Email search by domain

<http://emailbydomain.com>

Auto manuals search

<http://auto.somanuals.com>

TV manuals search

<http://tv.somanuals.com>