

**Fisher-Price®**

# Bounce 'n Play Activity Dome



**Model Number: 79652**

Please keep this instruction sheet for future reference,  
as it contains important information.

Tool needed for assembly: Phillips Screwdriver (not included).

Use only for a child who is unable to push up on hands and knees,  
pull up or sit unassisted.

Product features may vary from picture above.

[www.fisher-price.com](http://www.fisher-price.com)

## **WARNING**

### **Failure to follow these warnings and instructions could result in serious injury or death.**

To reduce the risk of Sudden Infant Death Syndrome (SIDS), normal healthy infants should always sleep on their backs unless otherwise advised by a pediatrician.

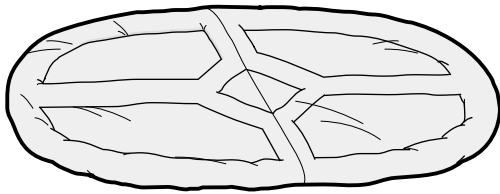
- Infants can suffocate:
  - In gaps between an extra pad and side of the dome
  - On soft bedding.
- Never add a mattress, pillow, comforter or padding. Use **ONLY** the pad provided by the manufacturer.
- To prevent falls:
  - Do not use this product when infant begins to push up on hands and knees.
  - Never place product on an elevated surface.
- To prevent strangulation:
  - Never place items with strings, such as hood strings or pacifier cords, around a child's neck.
  - Never place product near a window where cords from blinds or drapes can strangle a child.
- Never move this product with child in it.
- Never leave child unattended.

Occasionally a consumer may experience a problem with one of our products. If this should happen, please call us toll-free, rather than return this product to the store. Usually, we can solve the problem over the telephone or send you replacement parts.

Please call Fisher-Price® Consumer Relations, toll-free at **1-800-432-KIDS**, 8 AM - 6 PM EST Monday through Friday. Hearing-impaired consumers using TTY/TDD equipment, please call 1-800-382-7470.

Or, write to:  
Fisher-Price® Consumer Relations  
636 Girard Avenue  
East Aurora, New York 14052

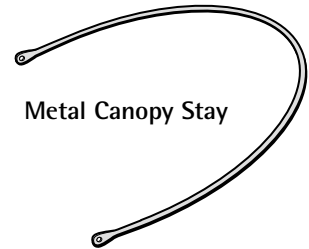
# Parts



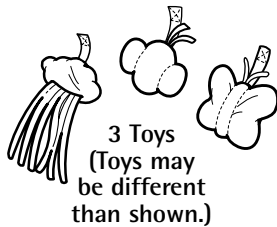
Pad



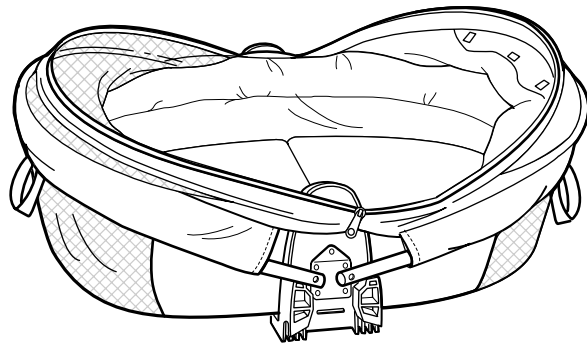
2 Covers



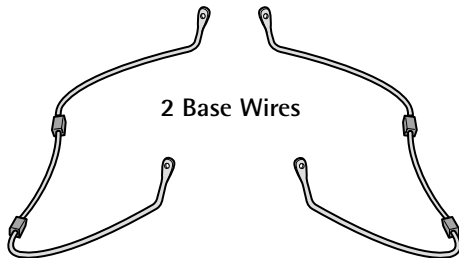
Metal Canopy Stay



3 Toys  
(Toys may be different than shown.)



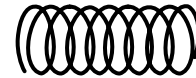
Base



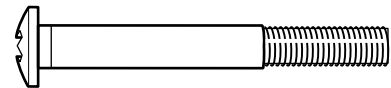
2 Base Wires



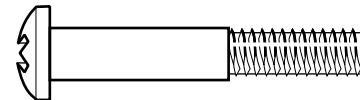
Plastic Mesh Cover Stay



Spring - 4



M5 x 1<sup>13</sup>/<sub>16</sub>" Screw - 2



M6 x 1<sup>5</sup>/<sub>8</sub>" Screw - 8



M5 Lock Nut - 2



M6 Lock Nut - 8

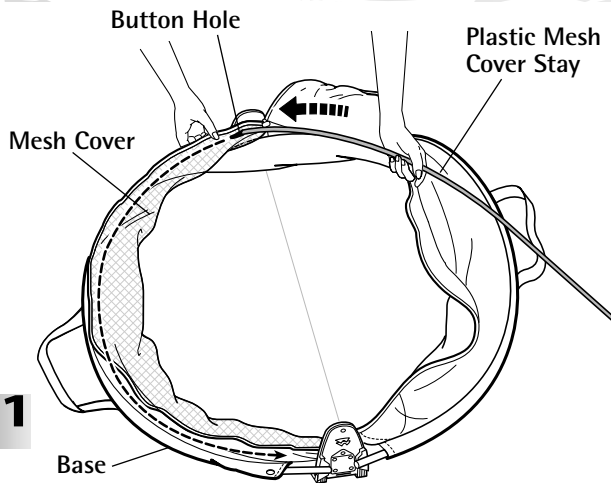
## CAUTION

This product contains small parts in its unassembled state. Adult assembly is required.

ALL SHOWN ACTUAL SIZE

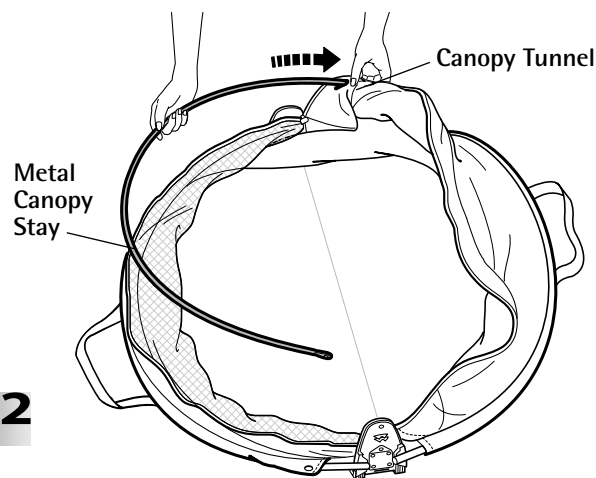
# Assembly

**IMPORTANT!** Before each use or assembly, inspect this product for damaged hardware, loose joints, missing parts or sharp edges. **DO NOT** use if any parts are missing or broken. Contact Fisher-Price® for replacement parts and instructions if needed. Never substitute parts.



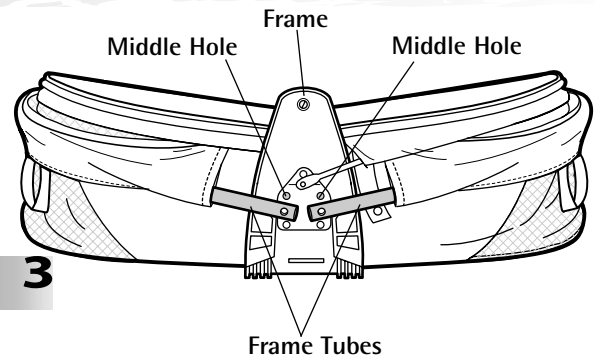
1

- Open the base and position it upright on a flat surface, as shown.
- Locate the end of the base with the mesh cover. Insert the entire plastic mesh cover stay into one of the button holes in the mesh cover.
- Be sure to tuck the plastic mesh cover stay away from the button hole in the mesh cover.



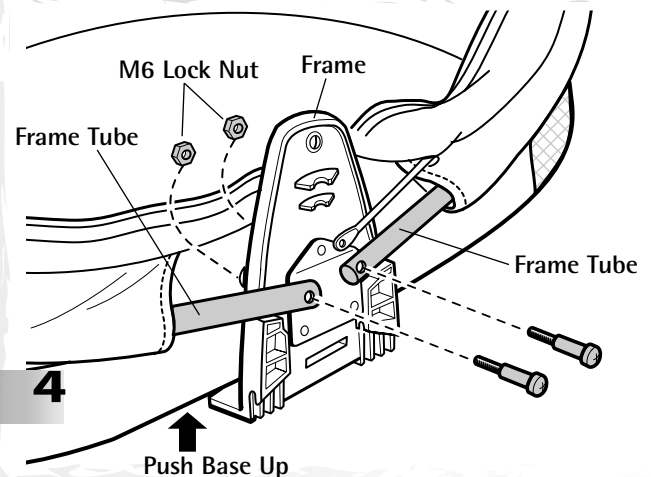
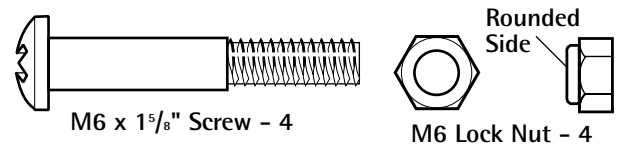
2

- Insert the metal canopy stay through the canopy tunnel.



3

- Position the ends of the frame tubes against the **middle** holes in a frame.



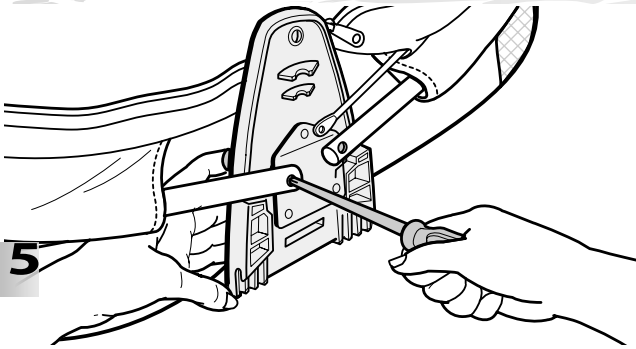
4

- Insert an M6 x 1<sup>5</sup>/<sub>8</sub>" screw through each frame tube and into the frame.
- Fit an M6 lock nut (with the rounded side toward the fabric) into each **middle**, hexagonal opening on the back of the frame.

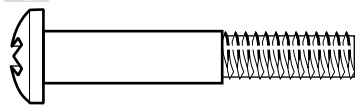
**Hint:** You may find it easier to access the hexagonal opening on the back of the frame if you push the base up, so that the fabric is out of the way.

4

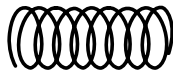
# Assembly



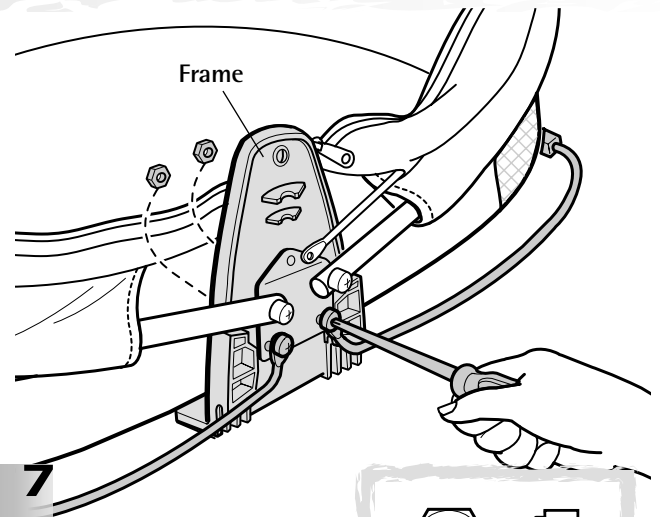
- Tighten the screws with a Phillips screwdriver. Do not over-tighten.
- Repeat assembly steps 3 - 5 to attach the other ends of the frame tubes to the frame on the other side of the base.



M6 x 1<sup>5</sup>/<sub>8</sub>" Screw - 4

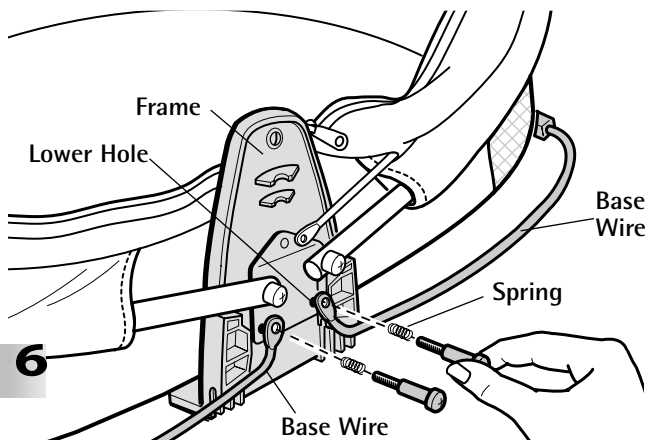


Spring - 4



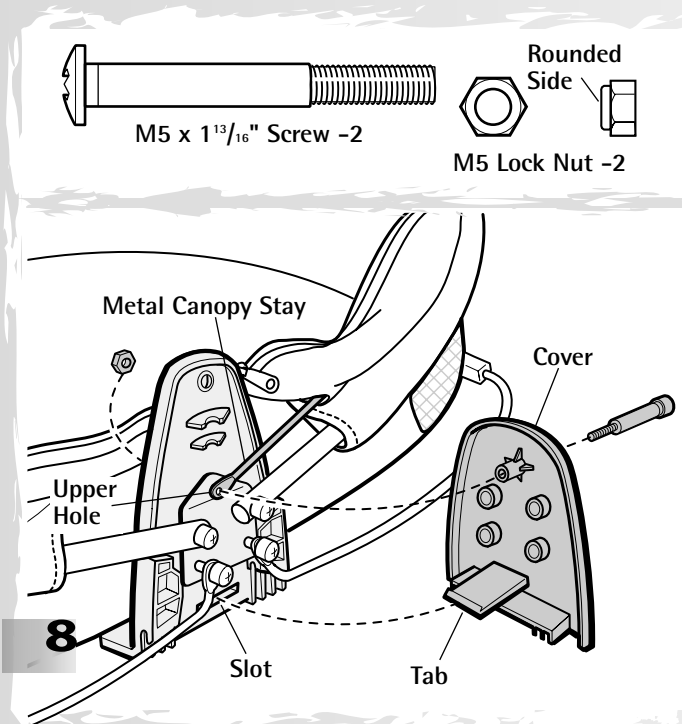
Rounded Side  
M6 Lock Nut - 4

- Fit an M6 lock nut (with the rounded side toward the fabric) into each **lower**, hexagonal opening on the back of the frame.
- Tighten the screws with a Phillips screwdriver. Do not over-tighten.
- Repeat this procedure to attach the other ends of the base wires to the frame on the other side of the base.

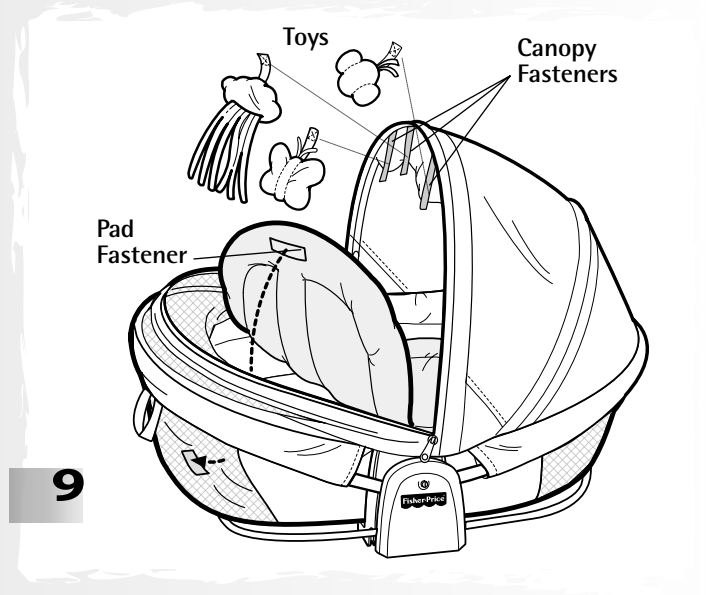


- Position the base wires around the base so that the ends point upward and are against the **lower** holes in a frame.
- Place a spring onto an M6 x 1<sup>5</sup>/<sub>8</sub>" screw.
- Insert the M6 x 1<sup>5</sup>/<sub>8</sub>" screw with spring through a base wire and into the frame.

# Assembly



- Position one end of the metal canopy stay against the **upper** hole in a frame.
- Insert an M5 x 1<sup>13</sup>/<sub>16</sub>" screw through the hole in the cover.
- Fit the end of the screw through the hole in the metal canopy stay and into the **upper** hole in the frame.
- Push on the cover to insert and "**snap**" the tab on the cover into the slot in the frame. **Make sure you hear a "snap"**.
- Fit an M5 lock nut (with the rounded side toward the fabric) into the **upper** hexagonal opening on the back of the frame.
- Tighten the screw with a Phillips screwdriver. Do not over-tighten.
- Repeat this procedure to attach the other end of the metal canopy stay and the remaining cover to the frame on the other side of the base.

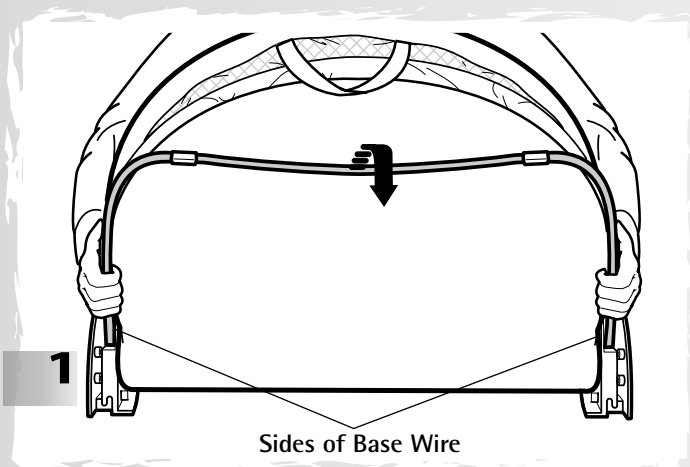


- Fasten the pad fasteners to the base fasteners.
- Lift the canopy.
- Attach the toys to the canopy fasteners.

**IMPORTANT!** Assembly is now complete, but Bounce 'n Play Activity Dome is **not** ready for use. Please refer to the Use instructions, on this page, beginning with step 2.

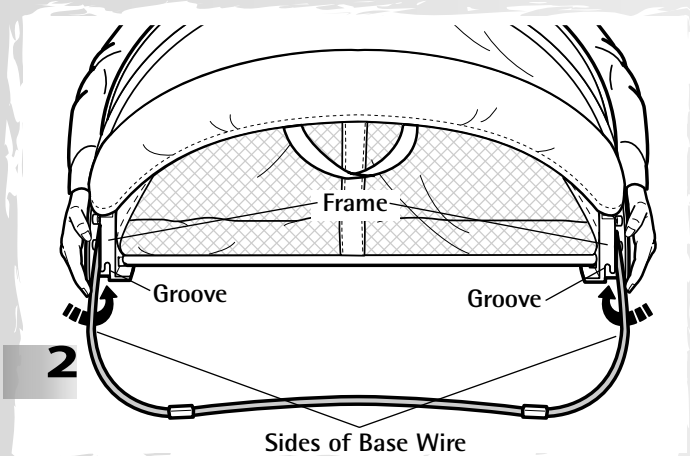
# Use

## To Unfold

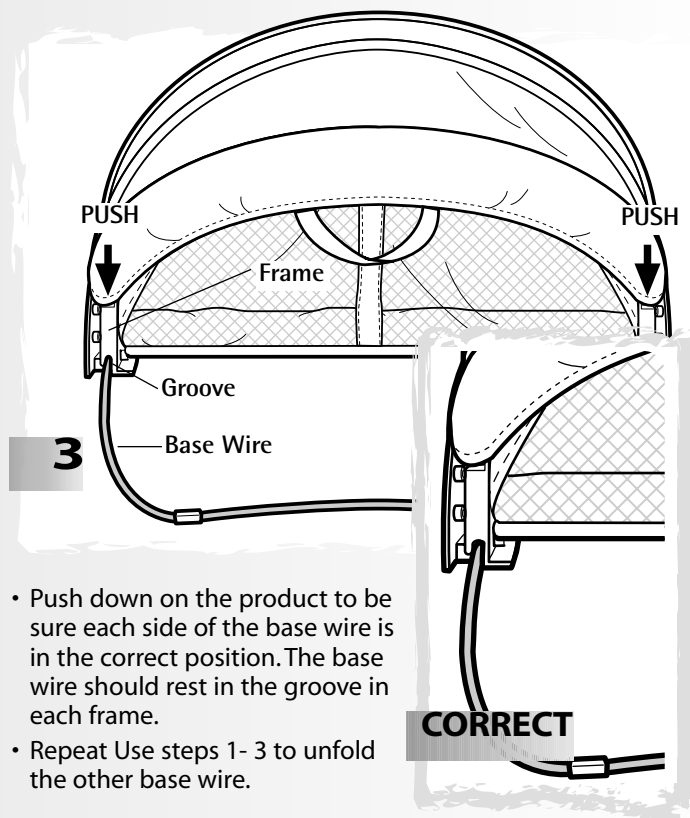


- Position the product upright on a flat surface.
- Grasp both sides of a base wire.
- Pull both sides of the base wire outward and then let the base wire rotate down.

**Note:** If the base wire does not freely rotate down, pull the sides of the base wire further outward.

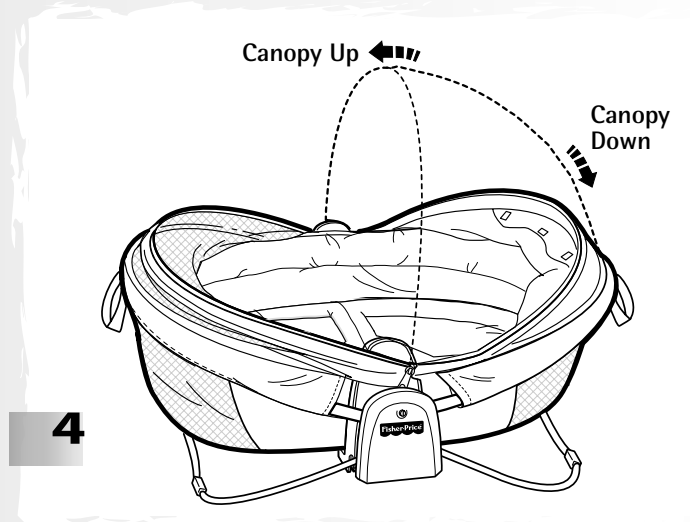


- Lift the product up slightly so that each side of the base wire "snaps" into the groove in each frame. **Make sure you hear a "snap".**



- Push down on the product to be sure each side of the base wire is in the correct position. The base wire should rest in the groove in each frame.
- Repeat Use steps 1- 3 to unfold the other base wire.

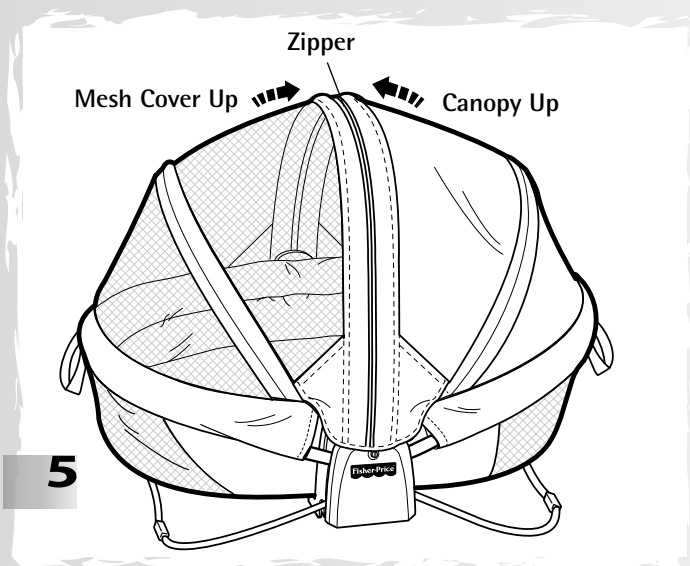
## Using the Canopy



- Adjust the canopy up or down.

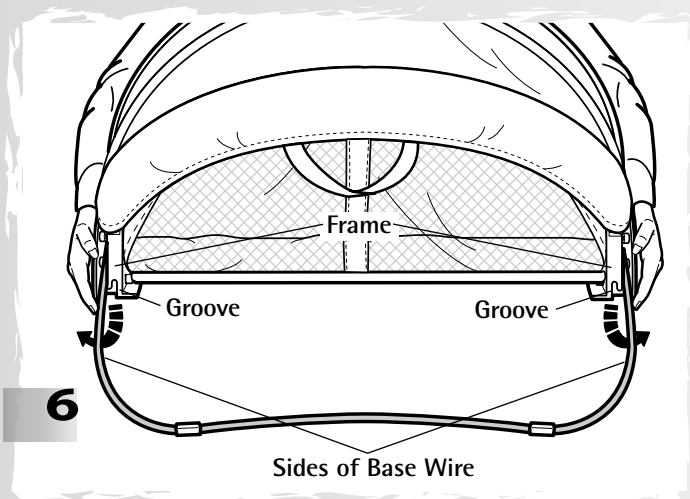
# Use

## Using the Mesh Cover



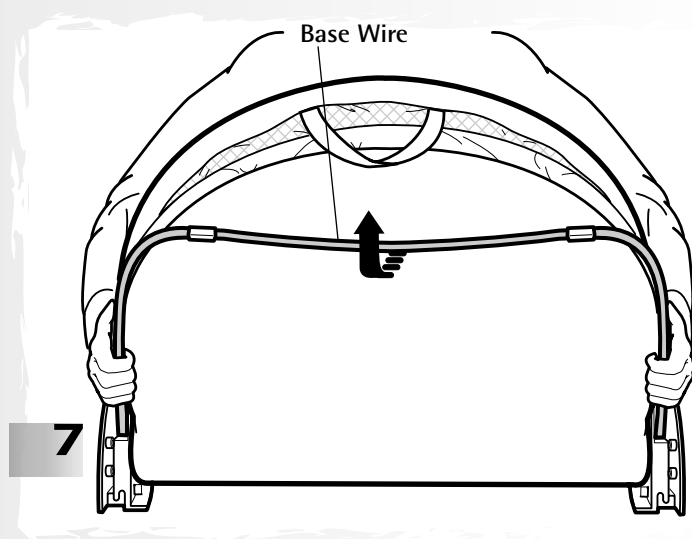
- Adjust the canopy and mesh cover up.
- While holding the mesh cover up, fasten the zipper closed.

## To Fold for Portability



- Grasp both sides of a base wire.
- While lifting the product up slightly, pull both sides of the base wire outward to remove the base wire from the groove in each frame.

# Use



- Rotate the base wire up.
- Repeat this procedure to fold the other base wire.

## Care

The pad and toys are machine washable. Wash the pad and toys separately in cold water on the gentle cycle. Do not use bleach. Tumble dry separately on low heat and remove promptly. The fabric and frame may be wiped clean using a mild cleaning solution and a damp cloth.

### For other countries, outside the United States:

Canada: call 1-800-567-7724, or write to:

Mattel Canada Inc., 6155 Freemont Blvd., Mississauga, Ontario L5R 3W2.

Great Britain: telephone 01628 500303.

Australia: Mattel Australia Pty. Ltd., 658 Church Street, Locked Bag #870, Richmond, Victoria 3121 Australia.

Consumer Advisory Service 1300 135 312.

New Zealand: 16-18 William Pickering Drive, Albany 1331, Auckland.



## Free Manuals Download Website

<http://myh66.com>

<http://usermanuals.us>

<http://www.somanuals.com>

<http://www.4manuals.cc>

<http://www.manual-lib.com>

<http://www.404manual.com>

<http://www.luxmanual.com>

<http://aubethermostatmanual.com>

Golf course search by state

<http://golfingnear.com>

Email search by domain

<http://emailbydomain.com>

Auto manuals search

<http://auto.somanuals.com>

TV manuals search

<http://tv.somanuals.com>