



Please keep this instruction sheet for future reference, as it contains important information.

Requires three "C" batteries (included).

Adult assembly is required.

Tool required for assembly: Phillips screwdriver (not included).

[www.fisher-price.com](http://www.fisher-price.com)

# Kick & Whirl Carnival™

Download from [www.Somanuals.com](http://www.Somanuals.com). All Manuals Search And Download.

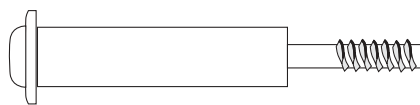
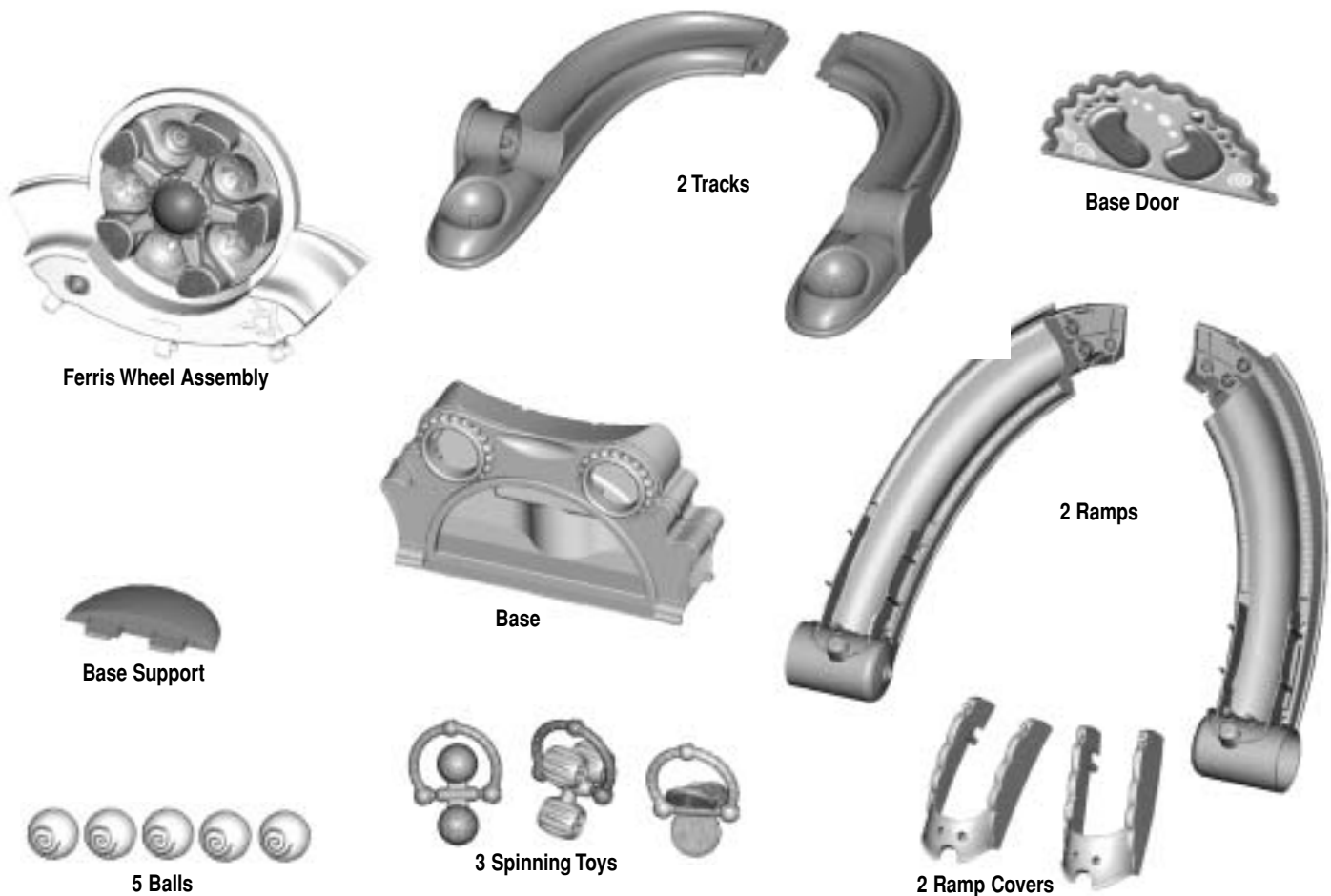
# Parts

## ⚠ CAUTION

This product contains small parts in its unassembled state.  
Adult assembly is required.

## ⚠ WARNING

To prevent entanglement injury, never place this toy in a crib or playpen. Never add strings, ties or other products to this toy.



#8 x 2" Shoulder Screw – 2

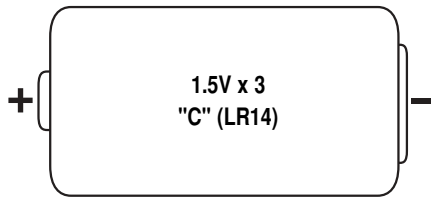


#8 x 1/2" Screw – 24

### FASTENERS SHOWN ACTUAL SIZE

**Note:** Tighten and loosen all screws with a Phillips Screwdriver. Do not over-tighten the screws.

## Battery Replacement

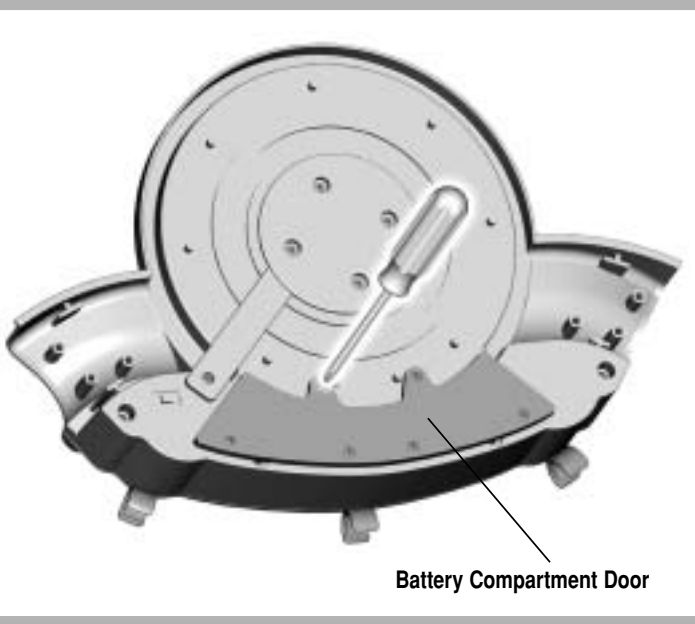


SHOWN ACTUAL SIZE

## Battery Safety Information

Batteries may leak fluids that can cause a chemical burn injury or ruin your toy. To avoid battery leakage:

- Do not mix old and new batteries or batteries of different types: alkaline, standard (carbon-zinc) or rechargeable (nickel-cadmium).
- Insert batteries as indicated inside the battery compartment.
- Remove batteries during long periods of non-use. Always remove exhausted batteries from the toy. Dispose of batteries safely. Do not dispose of batteries in a fire. The batteries may explode or leak.
- Never short-circuit the battery terminals.
- Use only batteries of the same or equivalent type, as recommended.
- Do not charge non-rechargeable batteries.
- Remove rechargeable batteries from the toy before charging.
- If removable, rechargeable batteries are used, they are only to be charged under adult supervision.



Battery Compartment Door

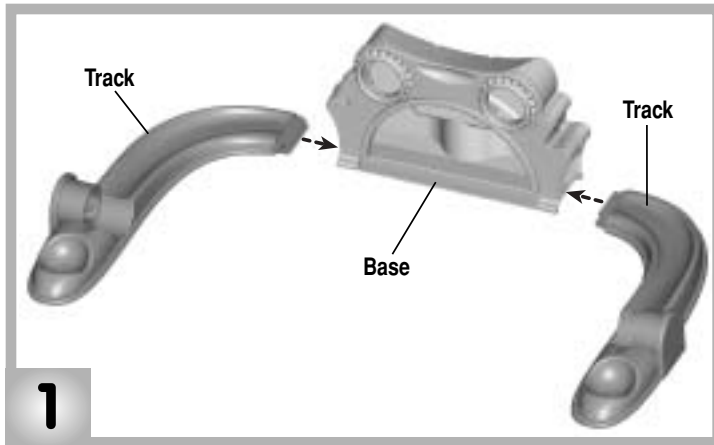
**For best performance, we recommend replacing the batteries that came with this toy with three, new alkaline "C" (LR14) batteries.**

- Locate the battery compartment on the back of the Ferris wheel assembly.
- Loosen the screws in the battery compartment door with a Phillips screwdriver. Remove the battery compartment door. Remove the exhausted batteries and throw them away.
- Insert three "C" (LR14) **alkaline** batteries.

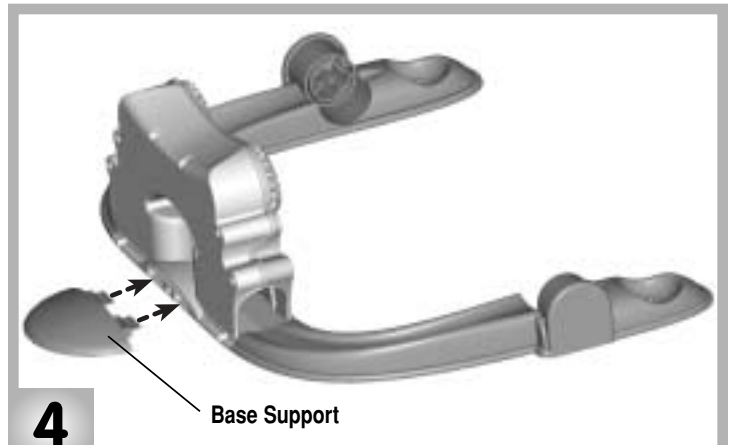
**Hint:** We recommend using **alkaline** batteries for longer life.

- Replace the battery compartment door and tighten the screws with a Phillips screwdriver. Do not over-tighten.
- When lights, sounds, or motions from this toy become faint or stop, it's time for an adult to change the batteries.

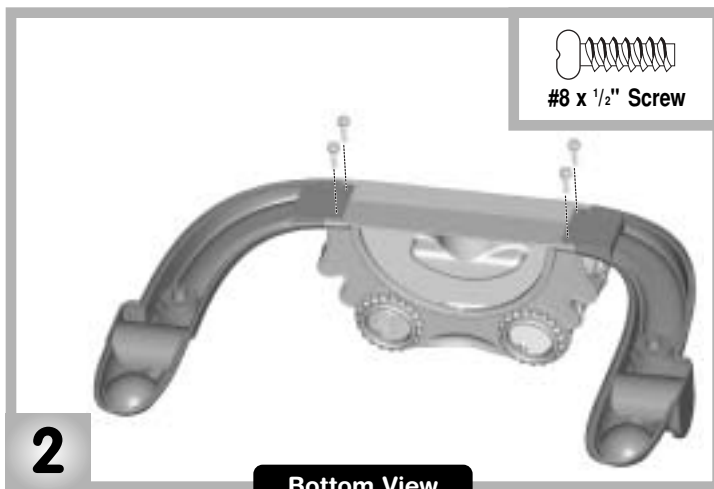
# Assembly



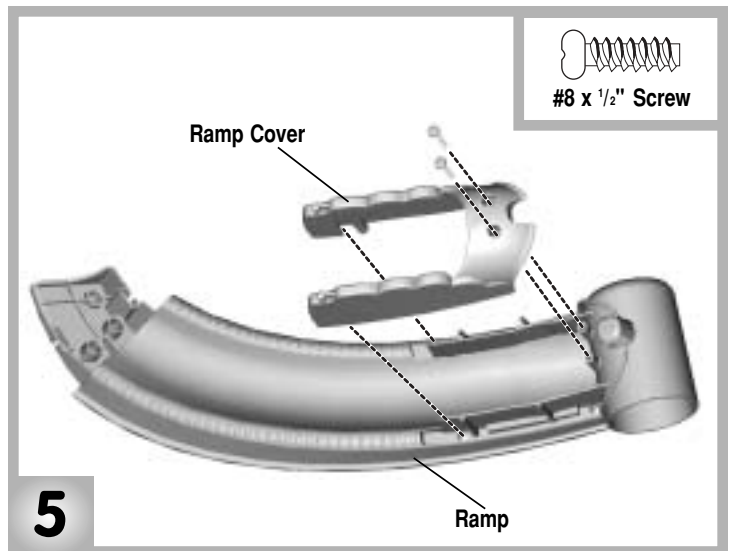
- Insert a track into one side of the base as shown.
- Insert the other track into the opposite side of the base.



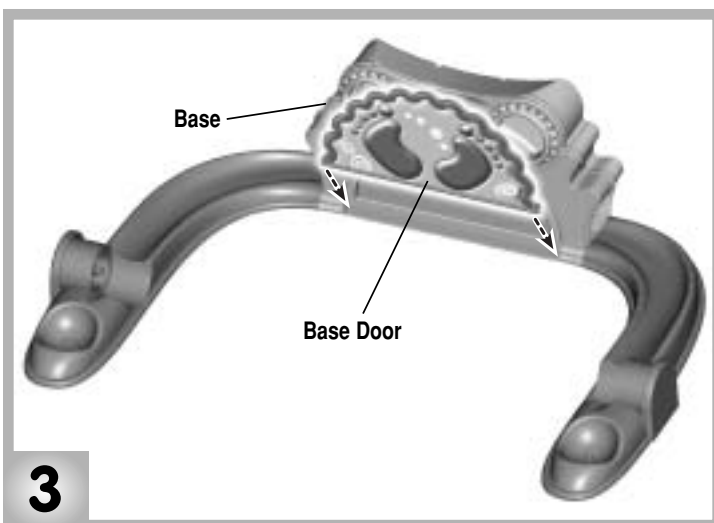
- Insert and “snap” the base support into the base.



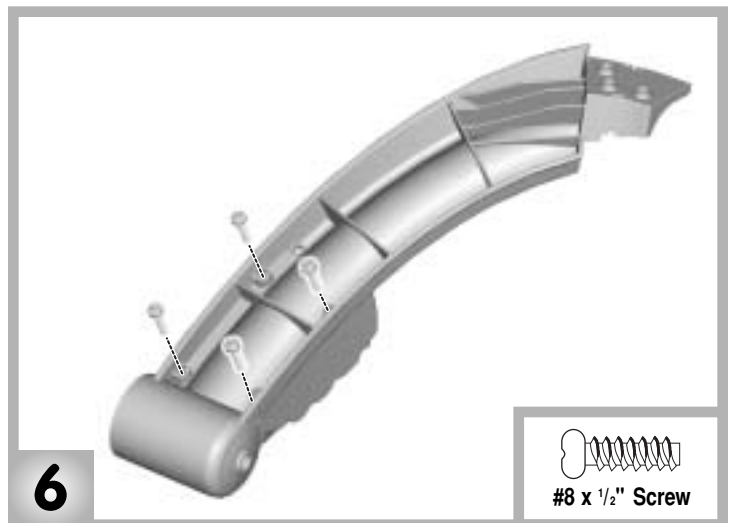
- Turn the assembly over so the bottom of the base is facing you.
- Insert four #8 x 1/2" screws through the base and into the tracks. Tighten the screws.
- Turn the base upright.



- Fit a ramp cover onto a ramp as shown.
- Insert two #8 x 1/2" screws into the top of the cover and tighten them.

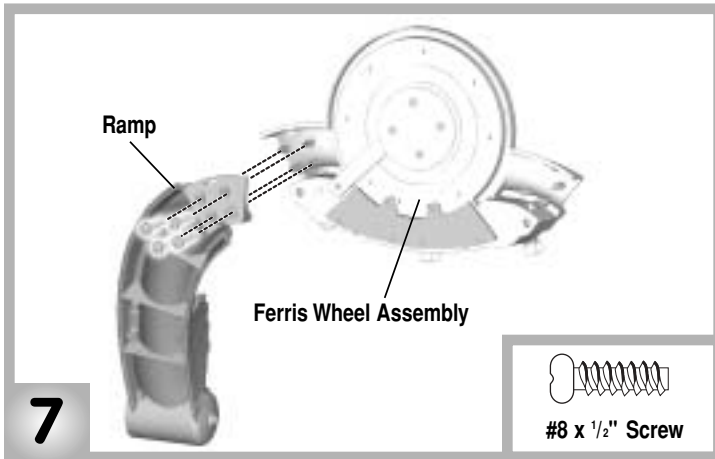


- Position the base door so that the decorated side is facing you.
- Insert the peg on one end of the base door into the hole in the base.
- Bend the door slightly and insert the other peg into the hole in the base.

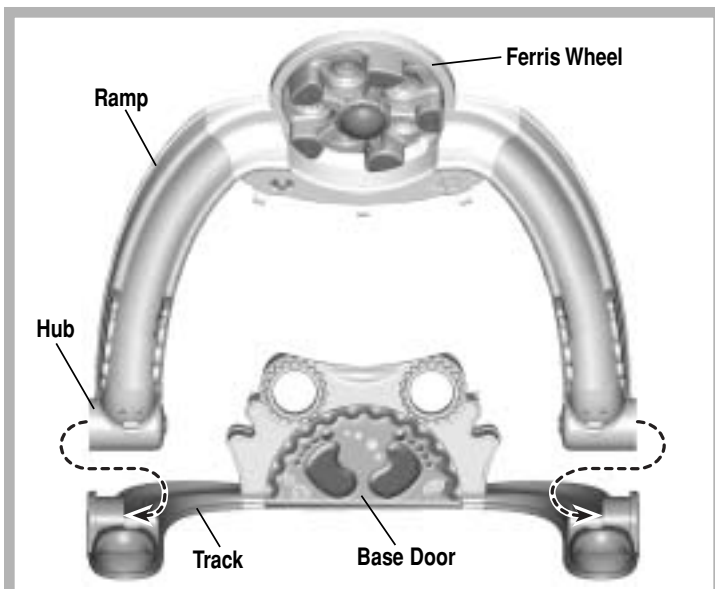


- Turn the ramp over and insert four #8 x 1/2" screws into the back of the ramp. Tighten the screws with a screwdriver.
- Repeat this procedure to attach the other ramp cover.

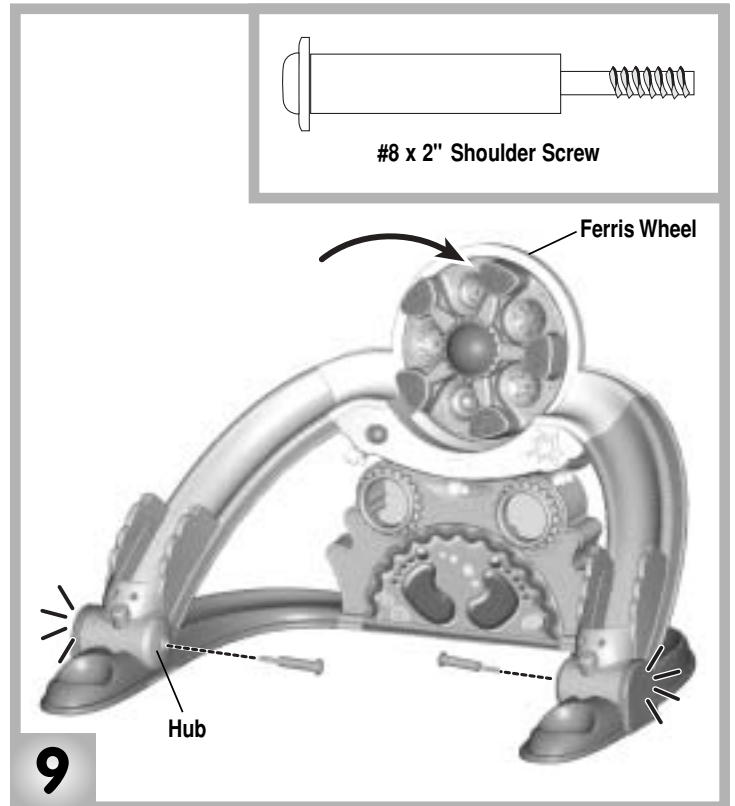
# Assembly



- Position the Ferris wheel assembly so that the back is facing you.
- Fit one of the ramps on the back of the Ferris wheel assembly as shown.
- Insert four #8 x 1/2" screws through the ramp and into the Ferris wheel assembly. Tighten the screws.
- Repeat this procedure to attach the other ramp to the Ferris wheel.


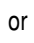


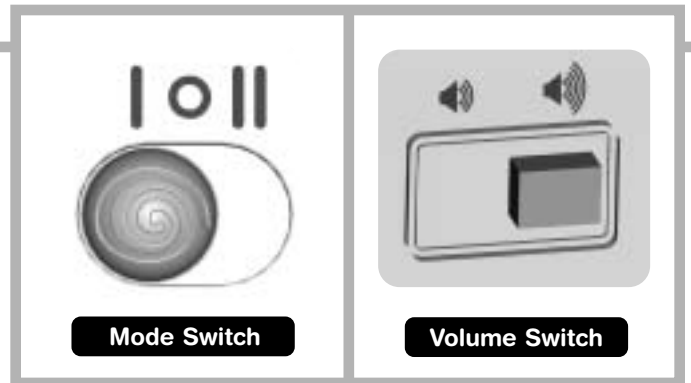
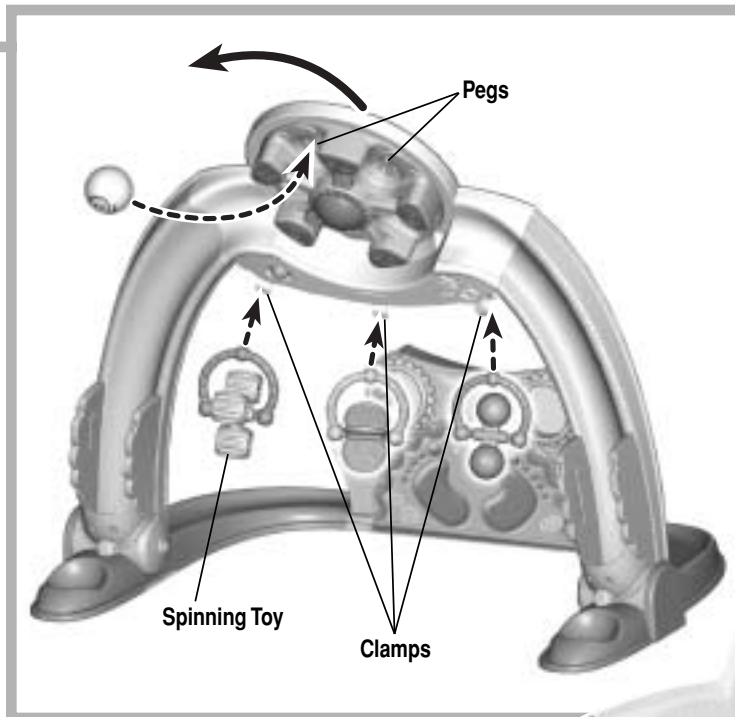
- Position the base assembly so that the base door is facing you.
- Position Ferris wheel assembly so that the decorated side is facing you.
- Fit the hub on the end of one ramp onto the track as shown.
- Bend the track slightly and fit the other hub to the opposite side of the track.




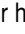
- Rotate the Ferris wheel down toward the base. The arch should "click" in place.
- Insert a #8 x 2" shoulder screw into the hub on the end of one ramp. Tighten the screw.
- Insert the other #8 x 2" shoulder screw into the opposite hub. Tighten the screw.

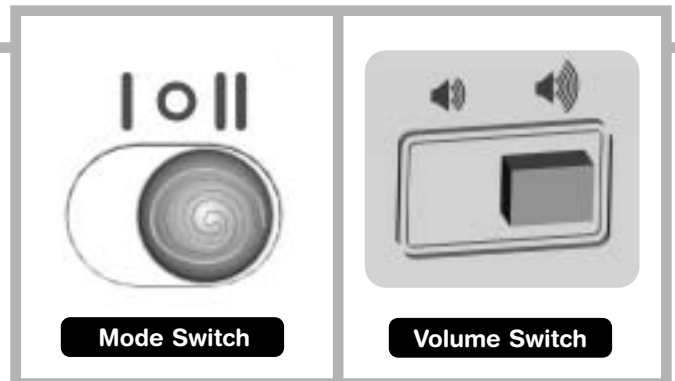
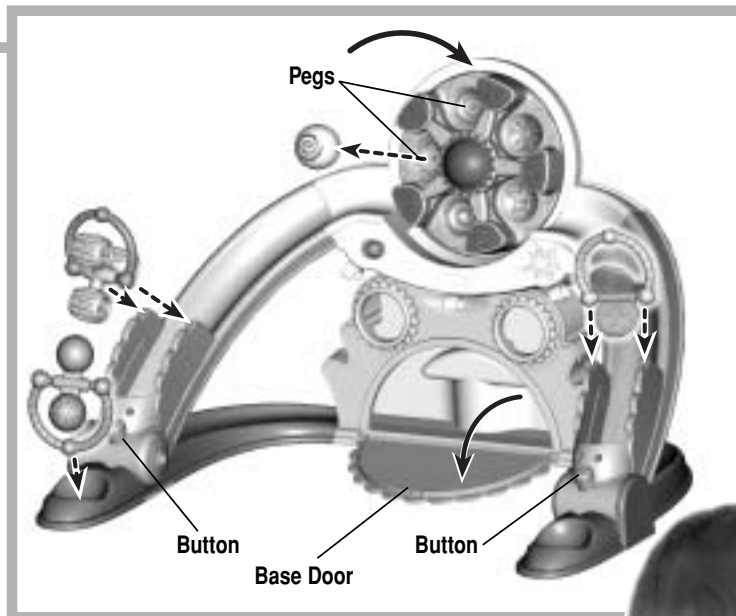
# Kick-Activated Gym

- To convert to a **Kick-Activated Gym**, pull up on the center clamp under the Ferris wheel to “snap” the arch into position.
- Snap the balls onto the pegs on the Ferris wheel.
- Snap the spinning toys into the clamps under the Ferris wheel.
- Slide the mode switch to the **I** position.
- Slide the volume switch on the back of the Ferris wheel to either low volume  or high volume .
- Baby can kick the base or bat at the toys for about five minutes of fun music, sound effects and colorful spinning balls.
- Slide the mode switch to **O** to turn power off.



# Sit-Up Fun

- To convert to **Sit-Up Fun**, press the button near each ramp cover at the same time, push the Ferris wheel down until it “clicks” into position.
- “Pop” the colorful balls off the pegs on the Ferris wheel.
- Fit the spinning toys onto the pegs in the ramp covers or on the track.
- Open the base door.
- Slide the mode switch to the **II** position.
- Slide the volume switch on the back of the Ferris wheel to either low volume  or high volume .
- Drop the colorful balls through the openings in the base or place balls in the Ferris wheel and watch them roll down the ramps. Short music plays as lights flash encouraging continued play.
- Slide the mode switch to **O** to turn the power off.



# Consumer Information

## Questions? We'd like to hear from you!

Call Fisher-Price® Consumer Relations, toll-free at **1-800-432-5437**, 8 AM - 6 PM EST Monday through Friday. Hearing-impaired consumers using TTY/TDD equipment, please call 1-800-382-7470.

Or, write to:

Fisher-Price® Consumer Relations  
636 Girard Avenue  
East Aurora, New York 14052, U.S.A.

### For countries outside the United States:

#### CANADA

**Questions? 1-800-567-7724**, Mattel Canada Inc., 6155 Freemont Blvd., Mississauga, Ontario L5R 3W2.

#### GREAT BRITAIN

Mattel UK Ltd, Vanwall Business Park, Maidenhead SL6 4UB. Helpline: 01628 500302.

#### AUSTRALIA

Mattel Australia Pty. Ltd., 658 Church Street, Locked Bag #870, Richmond, Victoria 3121 Australia. Consumer Advisory Service 1300 135 312.

#### NEW ZEALAND

16-18 William Pickering Drive, Albany 1331, Auckland.

#### ASIA

Mattel East Asia Ltd, Room 1106, South Tower, World Finance Centre, Harbour City, Tsimshatsui, HK, China.

## Care

- Wipe this toy with a clean damp cloth dampened with a mild soap and water solution.
- Do not immerse this toy.

## FCC Statement (United States Only)

**Note:** This equipment has been tested and found to comply with the limits for a Class B digital device, pursuant to Part 15 of the FCC Rules. These limits are designed to provide reasonable protection against harmful interference in a residential installation. This equipment generates, uses and can radiate radio frequency energy and, if not installed and used in accordance with the instructions, may cause harmful interference to radio communications. However, there is no guarantee that interference will not occur in a particular installation. If this equipment does cause harmful interference to radio or television reception, which can be determined by turning the equipment off and on, the user is encouraged to try to correct the interference by one or more of the following measures:

- Reorient or relocate the receiving antenna.
- Increase the separation between the equipment and receiver.
- Consult the dealer or an experienced radio/TV technician for help.

**Note:** Changes or modifications not expressly approved by the manufacturer responsible for compliance could void the user's authority to operate the equipment.



## Free Manuals Download Website

<http://myh66.com>

<http://usermanuals.us>

<http://www.somanuals.com>

<http://www.4manuals.cc>

<http://www.manual-lib.com>

<http://www.404manual.com>

<http://www.luxmanual.com>

<http://aubethermostatmanual.com>

Golf course search by state

<http://golfingnear.com>

Email search by domain

<http://emailbydomain.com>

Auto manuals search

<http://auto.somanuals.com>

TV manuals search

<http://tv.somanuals.com>