



WARNING

IMPORTANT! KEEP INSTRUCTIONS FOR FUTURE REFERENCE.

www.fisher-price.co.uk

Consumer Information



WARNING

To prevent serious injury or death:

- **Fall Hazard** - It is dangerous to use this product on an elevated surface, since child's movement may cause the product to slide or tip over. Use only on a floor.
- **Suffocation Hazard** - Never use on a soft surface (bed, sofa, cushion) since the product can tip over and cause suffocation in soft surfaces.
- Always use restraint system.
- Never leave child unattended.
- Never use as a car seat.
- Not recommended for children who can sit up by themselves (6 months approximately, until 9 kg/20lb).
- Never use toy bar as a handle.
- Never use as a carrier or lift while child is seated.

- Please read these instructions before assembly and use of this product.
- Adult assembly is required. Tool needed for assembly: Phillips Screwdriver (not included).
- Requires one "D" (LR20) **alkaline** battery (not included) for soothing unit operation. Requires two (LR44) **alkaline** button cell batteries for toy operation.
- Product features and decorations may vary from photographs.

Great Britain: Vanwall Business Park, Maidenhead SL6 4UB.
Helpline: 01628 500303. www.service.mattel.com/uk.

Australia: Mattel Australia Pty. Ltd., 658 Church Street,
Locked Bag #870, Richmond, Victoria 3121 Australia.
Consumer Advisory Service 1300 135 312.

New Zealand: 16-18 William Pickering Drive, Albany 1331, Auckland.

Asia: Mattel East Asia Ltd, Room 1106, South Tower,
World Finance Centre, Harbour City, Tsimshatsui, HK, China.

Malaysia: Diimport & Diedarkan Oleh: Mattel SEA Ptd Ltd.
(993532-P) Lot 13.5, 13th Floor, Menara Lien Hoe, Persiaran
Tropicana Golf Country Resort, 47410 PJ. Tel: +603-3341 9052.
Mattel Europa, B.V., Gondel 1, 1186 MJ Amstelveen, Nederland.



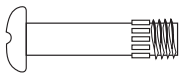
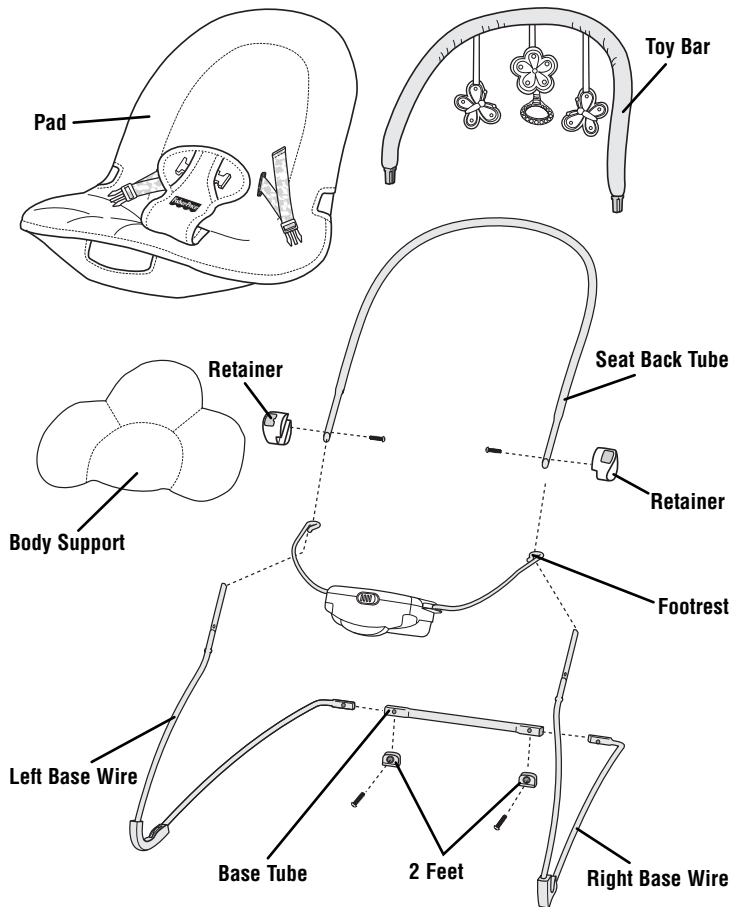
CAUTION

This package contains small parts in its unassembled state. Adult assembly is required.

Fisher Price, Inc., a subsidiary of Mattel, Inc., East Aurora, NY 14052 U.S.A.
©2009 Mattel, Inc. All Rights Reserved. ® and ™ designate U.S. trademarks of Mattel, Inc.

Parts

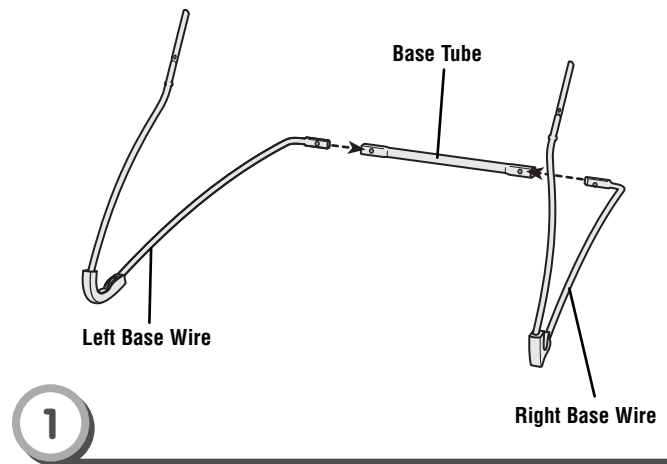
IMPORTANT! Please remove all parts from the package and identify them before assembly. Some parts may be packed in the pad.



Note: Screw shown actual size. Tighten or loosen all screws with a Phillips screwdriver. Do not over-tighten the screws.

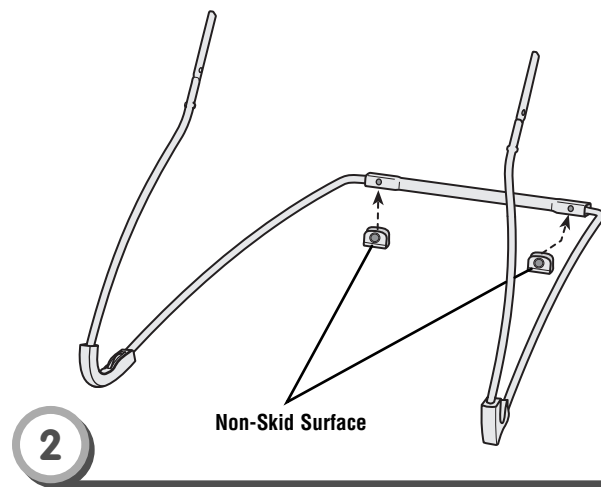
Assembly

IMPORTANT! Before assembly and each use, inspect this product for damaged hardware, loose joints, missing parts or sharp edges. DO NOT use if any parts are missing or broken. Contact Fisher-Price® for replacement parts and instructions if needed. Never substitute parts.



- 1

 - Place the base tube on a flat surface.
 - Position the left and right base wires as shown.
 - Fit the left base wire and right base wire into the base tube.

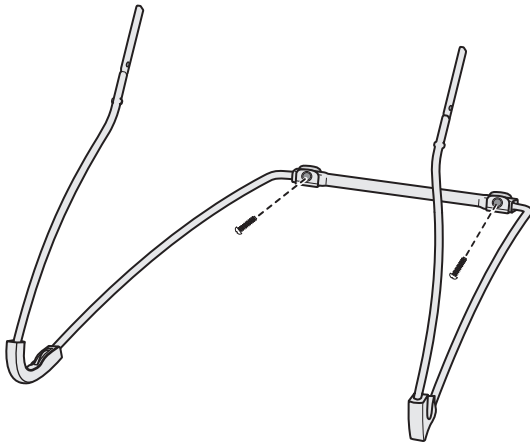


- 2

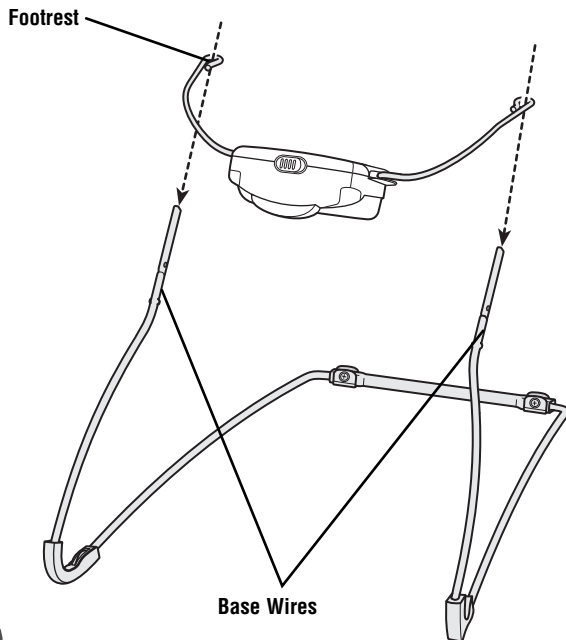
 - Position the feet with the **non-skid surface is down**.
 - Fit the feet on the base tube, as shown.

Assembly

3



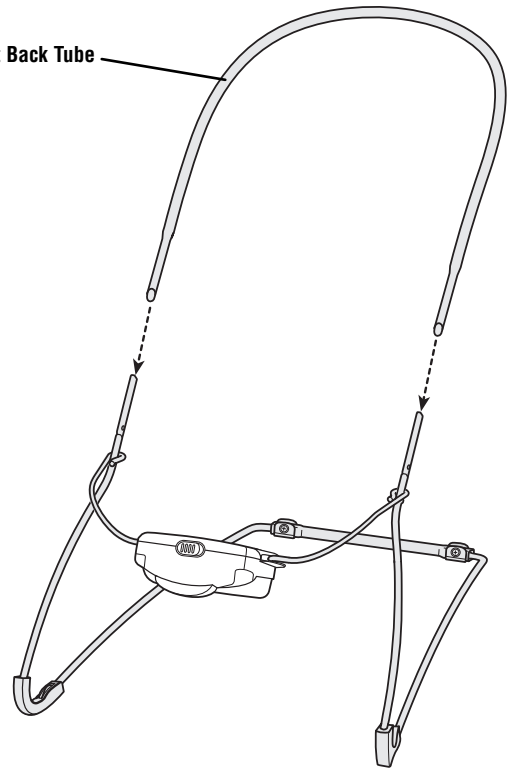
- Insert a screw through each foot and tighten.



4

- Position the footrest so that the soothing unit is upright.
- Fit the footrest onto the ends of the base wires.

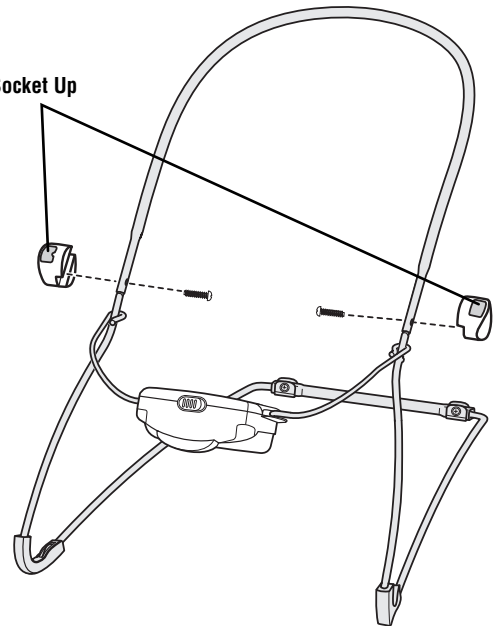
Seat Back Tube



5

- Fit the seat back tube onto the ends of the base wire.
- Push the seat back tube to be sure it is completely on the base wires.

Retainer Socket Up

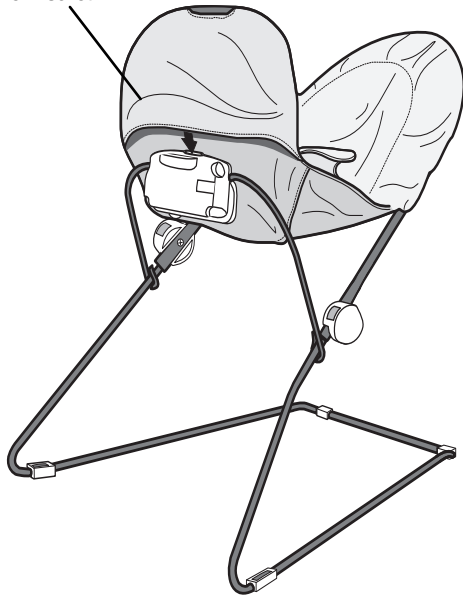


6

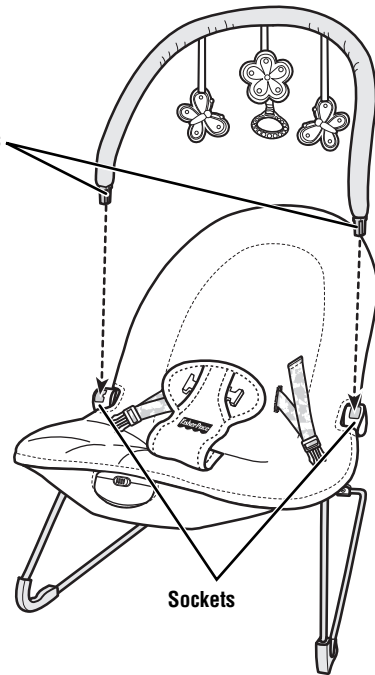
- Fit a retainer to the **outside** of the seat back tube, as shown. Make sure the socket in the retainer is **upright**.
- Insert a screw through the hole in the seat back tube, base wire and into the inside of the retainer.
- Repeat this procedure to assemble the other retainer to the other side of the seat back tube.
- Pull the seat back tube up to be sure it is secure. If you can remove either end of the seat back tube, you have not assembled the retainers correctly. Remove the screws, re-read and repeat Assembly steps 5 and 6.

Assembly

Pad Lower Pocket



Toy Bar Plugs

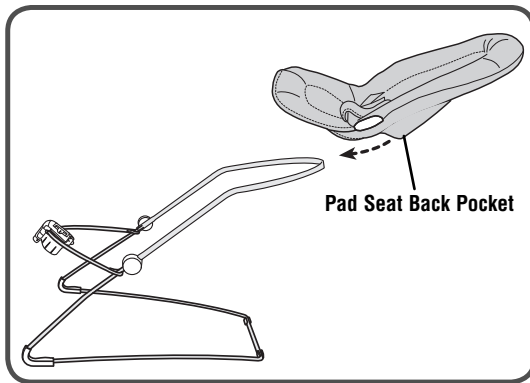


Sockets

10

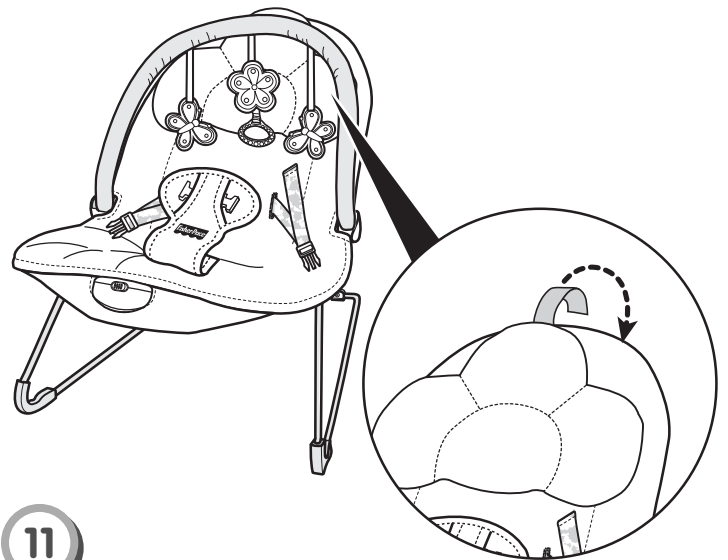
- Insert and “snap” the toy bar plugs into each retainer socket.
- Hint: The toy bar is removable. Press the ends of the latches and lift the toy bar.*

7



Pad Seat Back Pocket

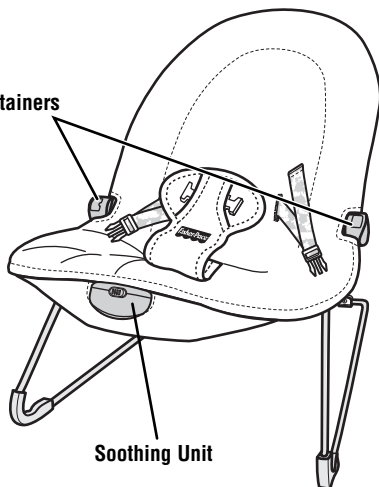
- Position the pad above the frame.
- Fit the upper pocket on the back of the pad onto the seat back tube.
- Lift the footrest. Fit the lower pocket on the back of the pad onto the footrest.



11

- Press the body support strap to the fastener on the back of the pad.
- Hint: You can move the body support up or down for your baby's comfort.*

Retainers



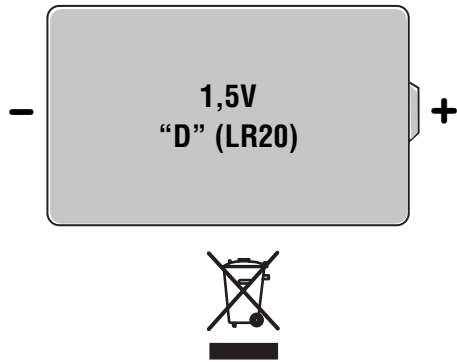
Soothing Unit

8

- Fit the retainers through the side openings in the pad.
- Fit the edges of the soothing unit through the large opening in the front of the pad.

Battery Installation

*Hint: We recommend using an **alkaline** battery for longer battery life.*

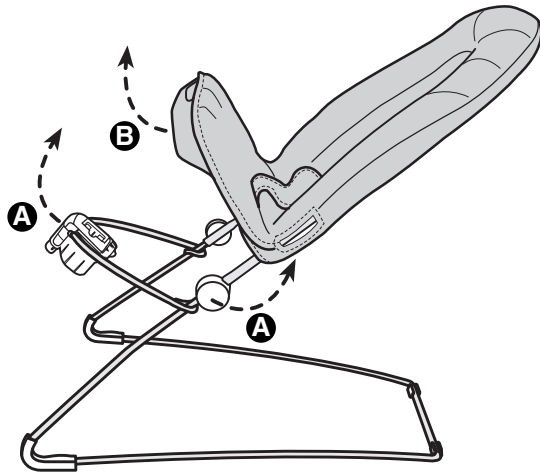


Protect the environment by not disposing of this product with household waste (2002/96/EC). Check your local authority for recycling advice and facilities (Europe only).

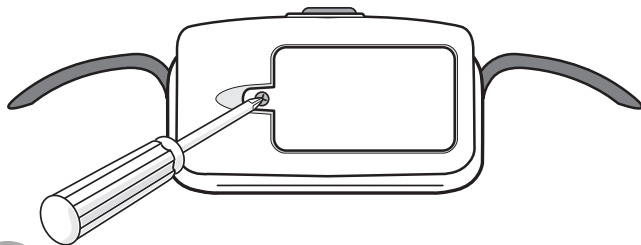
Battery Safety Information

In exceptional circumstances, batteries may leak fluids that can cause a chemical burn injury or ruin your product. To avoid battery leakage:

- Do not mix old and new batteries or batteries of different types: alkaline, standard (carbon-zinc) or rechargeable (nickel-cadmium).
- Insert batteries as indicated inside the battery compartment.
- Remove batteries during long periods of non-use. Always remove exhausted batteries from the product. Dispose of batteries safely. Do not dispose of product in a fire. The batteries inside may explode or leak.
- Never short-circuit the battery terminals.
- Use only batteries of the same or equivalent type as recommended.
- Do not charge non-rechargeable batteries.
- Remove rechargeable batteries from the product before charging.
- If removeable, rechargeable batteries are used, they are only to be charged under adult supervision.



- Pull to remove the pad from around the retainers and the soothing unit **A**.
- Remove the pad bottom pocket from the footrest **B**.



- Loosen the screw in the battery compartment door. Remove the battery compartment door.
- Insert one "D" (LR20) **alkaline** battery into the battery compartment.
- Replace the battery compartment door and tighten the screw.
- Pull and fit the pad seat bottom pocket around the soothing unit and footrest.
- If this product begins to operate erratically, you may need to reset the electronics. Slide the power switch off and then back on.

Setup and Use



WARNING

To prevent serious injury or death:

- **Fall Hazard-** It is dangerous to use this product on an elevated surface, since child's movement may cause the product to slide or tip over. Use only on a floor.
- **Suffocation Hazard-** Never use on a soft surface (bed, sofa, cushion) since the product can tip over and cause suffocation in soft surfaces.
- Always use restraint system.
- Never leave child unattended.
- Never use as a car seat.
- Not recommended for children who can sit up by themselves (6 months approximately, until 9 kg/20lb).
- Never use toy bar as a handle.
- Never use as a carrier or lift while child is seated.



1

Securing Your Infant

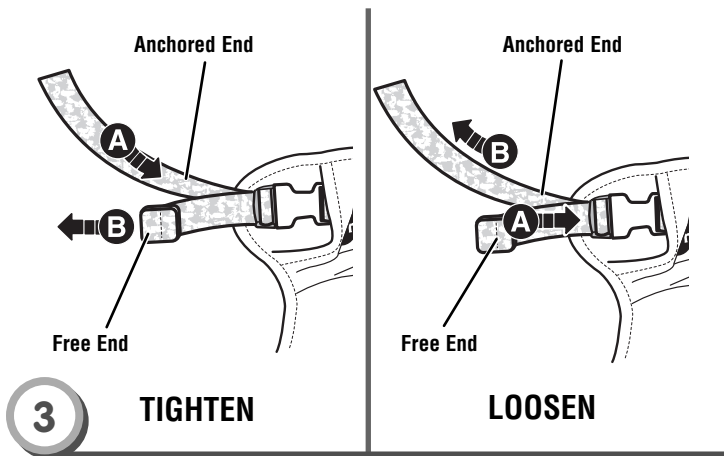
- Place your child in the seat. Position the restraint pad between your child's legs.
- Fasten the restraint belts to the restraint pad. **Make sure you hear a "click" on both sides.**
- Check to be sure the restraint system is securely attached by pulling it away from your child. The restraint system should remain attached.



2

- Tighten each waist belt so that the restraint system is snug against your child. Please refer to the next section for instructions to tighten the waist belts.

Setup and Use



To tighten the restraint belts:

- Feed the anchored end of the restraint belt up through the buckle to form a loop **A**. Pull the free end of the restraint belt **B**.

To loosen the restraint belts:

- Feed the free end of the restraint belt up through the buckle to form a loop **A**. Enlarge the loop by pulling on the end of the loop toward the buckle. Pull the anchored end of the restraint belt to shorten the free end of the restraint belt **B**.

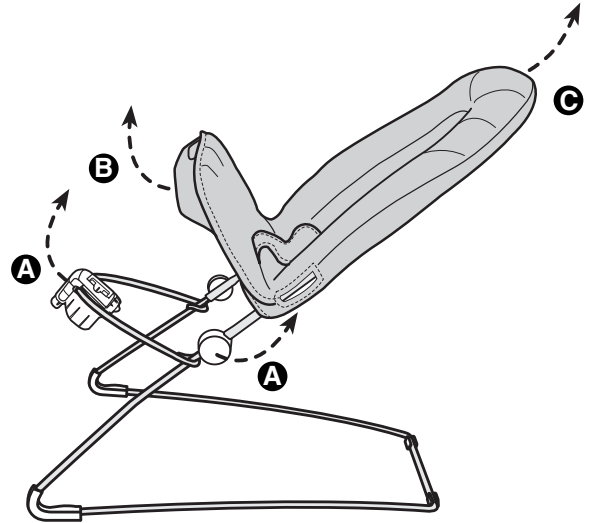
Soothing Unit



- Make sure your child is properly secured in the seat.
 - Slide the power switch to: Vibrations or Off.
- IMPORTANT!** Low battery power causes this product to operate erratically: no vibrations and the product may not turn off. Remove and discard the battery and replace with a new "D" (LR20) **alkaline** battery.
- Pull the ring on the toy for music and sounds.

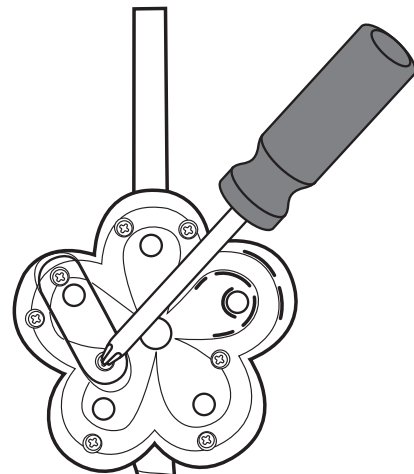
Care

- The pad and body support are machine washable. Wash them separately in cold water on the gentle cycle. Do not use bleach. Tumble dry separately on low heat and remove promptly.
- The frame, toy bar and toys may be wiped clean using a mild cleaning solution and damp cloth. Do not immerse the toy bar. Do not use bleach. Do not use harsh or abrasive cleaners. Rinse clean with water to remove residue.



To remove the pad:

- Pull to remove the pad from around the retainers and the soothing unit **A**.
- Remove the bottom pocket of the pad from the footrest **B**.
- Lift to remove the pad **C**.
- To replace the pad, refer to Assembly steps 7 and 8.



Battery Removal

- Before disposing of the toy bar, please remove the batteries.
- Loosen the screws in the battery compartment door. Remove and dispose of the batteries safely.

Free Manuals Download Website

<http://myh66.com>

<http://usermanuals.us>

<http://www.somanuals.com>

<http://www.4manuals.cc>

<http://www.manual-lib.com>

<http://www.404manual.com>

<http://www.luxmanual.com>

<http://aubethermostatmanual.com>

Golf course search by state

<http://golfingnear.com>

Email search by domain

<http://emailbydomain.com>

Auto manuals search

<http://auto.somanuals.com>

TV manuals search

<http://tv.somanuals.com>