

## Kick'n Crawl™ Aquarium



**1** Overhead Gym



**2** Tummy-time Play



**3** Crawl-through Aquarium

Please keep this instruction sheet for future reference, as it contains important information.

Adult assembly is required.

Tool required for battery assembly: Phillips Screwdriver (not included).

Musical fish requires three button cell (LR44) **alkaline** batteries (or equivalent) (included).





## WARNING

To prevent entanglement injury, never place gym in a crib or playpen.  
Never add strings, ties or other products to this item.

## FCC Note (United States Only)

**Note:** This equipment has been tested and found to comply with the limits for a Class B digital device, pursuant to Part 15 of the FCC Rules. These limits are designed to provide reasonable protection against harmful interference in a residential installation. This equipment generates, uses and can radiate radio frequency energy and, if not installed and used in accordance with the instructions, may cause harmful interference to radio communications. However, there is no guarantee that interference will not occur in a particular installation. If this equipment does cause harmful interference to radio or television reception, which can be determined by turning the equipment off and on, the user is encouraged to try to correct the interference by one or more of the following measures:

- Reorient or relocate the receiving antenna.
- Increase the separation between the equipment and receiver.
- Consult the dealer or an experienced radio/TV technician for help.

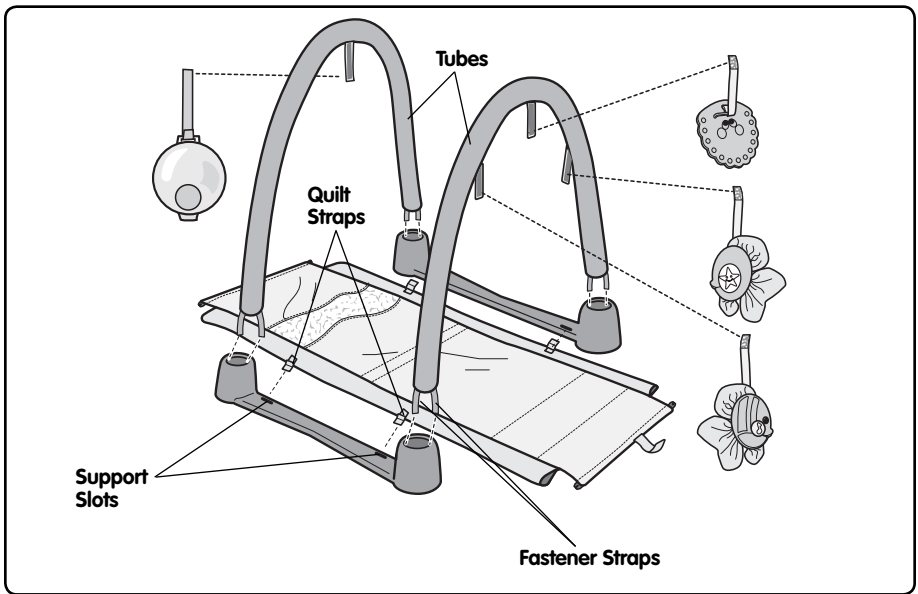
Note: Changes or modifications not expressly approved by the manufacturer responsible for compliance could void the user's authority to operate the equipment.

## Consumer Information

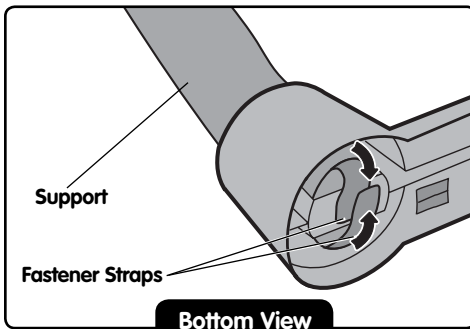
Visit us on line at [www.service.fisher-price.com](http://www.service.fisher-price.com)

Call Fisher-Price® Consumer Relations, toll-free at **1-800-432-5437**, 8 AM - 6 PM EST Monday through Friday. Hearing-impaired consumers using TTY/TDD equipment, please call 1-800-382-7470. Write to us at: Fisher-Price® Consumer Relations, 636 Girard Avenue, East Aurora, New York 14052.

# Overhead Gym Assembly

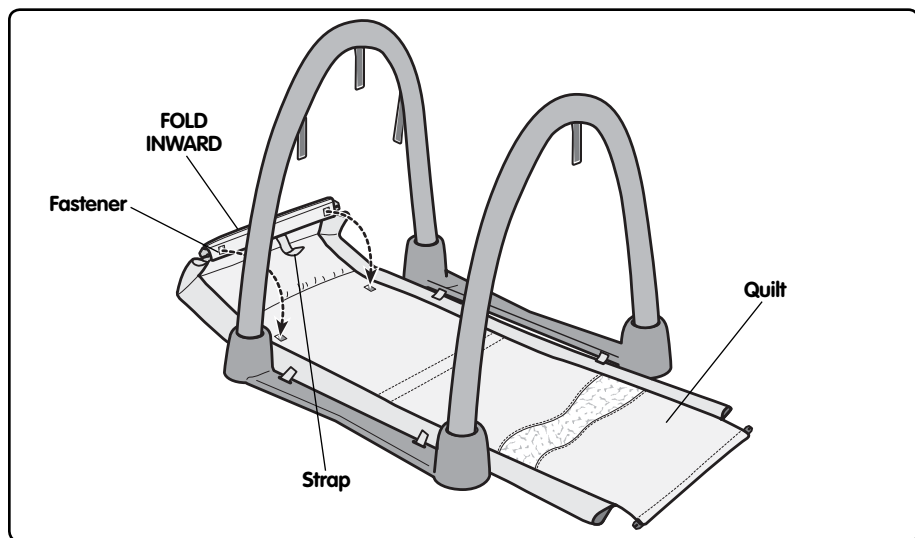


- Place the quilt, print side up, on a flat surface.
- Fit the two straps on each side of the quilt down through the slots in the supports. Make sure the tab at the end of each strap forms a "T" under the support. Pull up on the quilt to be sure it is secure to the supports.

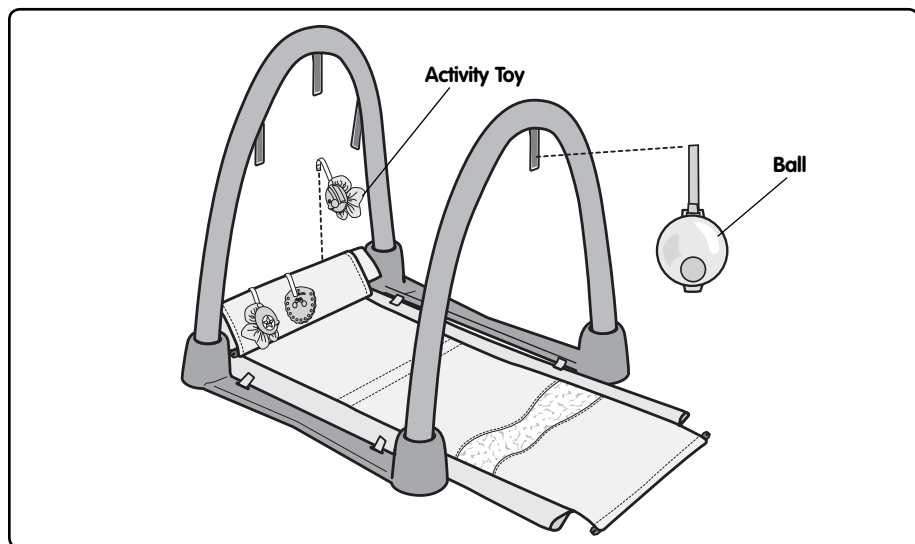


- Fit the two, small fastener straps on each end of the tubes through the slots inside the circular openings in the supports. Fasten the straps to secure the tubes to the supports.
- Fasten the activity toys to the straps on the arch.
- Squeeze the stem to inflate the ball. Now, fasten the ball to the strap on the other arch.

## Tummy Time Fun

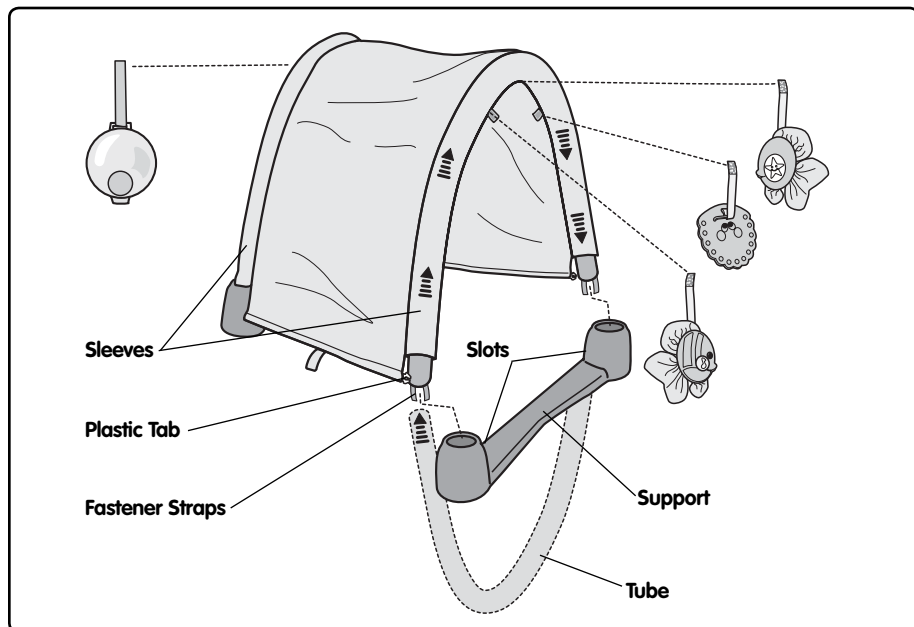


- Assemble this toy as an overhead gym.
- Locate the end of the quilt with the strap.
- Fold the end of the quilt inward.
- Press to attach the fasteners.



- Attach the activity toy straps to the fasteners on the quilt. Attach the ball to the tube strap.

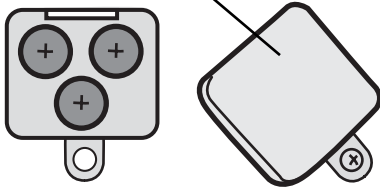
## Crawl-Through Aquarium Assembly



- Slide the tubes through the sleeves in each side of the quilt.
- Position the supports so that the side with the slots faces inward.
- Fit the two, small fastener straps on each end of the tubes through the slots inside the circular openings in the supports. Fasten the straps to secure the tubes to the supports.
- Fit the plastic tabs at the corners of the quilt into the slots in the supports.
- Attach the activity toys and the ball to the fasteners on the sleeves.

# Battery Replacement

## Battery Compartment Door



For best results, use only alkaline batteries, for longer battery life.



1.5V x 3  
LR44 or Equivalent  
SHOWN ACTUAL SIZE

When sounds from this toy become faint or stop, it is time for an adult to change the batteries!

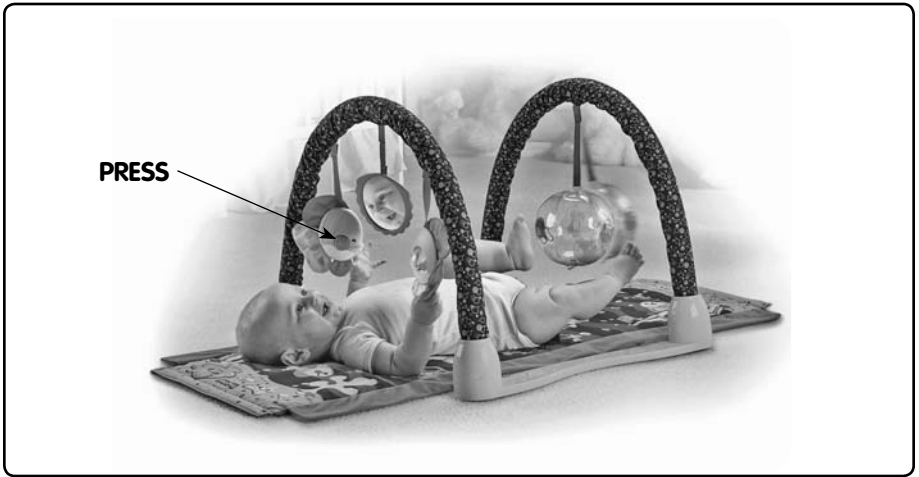
- Locate the battery compartment on the side of the musical fish.
- Loosen the screw in the battery compartment door with a Phillips screwdriver. Remove the battery compartment door. Throw exhausted batteries away.
- Insert three, new, button cell (LR44) alkaline batteries, as indicated inside the battery compartment.
- Replace the battery compartment door and tighten the screw with a Phillips screwdriver. Do not over-tighten.

## Battery Safety Information

In exceptional circumstances, batteries may leak fluids that can cause a chemical burn injury or ruin your product. To avoid battery leakage:

- Do not mix old and new batteries or batteries of different types: alkaline, standard (carbon-zinc) or rechargeable (nickel-cadmium).
- Insert batteries as indicated on the battery compartment door.
- Remove batteries during long periods of non-use. Always remove exhausted batteries from the product. Dispose of batteries safely. Do not dispose of product in a fire. The batteries inside may explode or leak.
- Never short-circuit the battery terminals.
- Use only batteries of the same or equivalent type, as recommended.
- Do not charge non-rechargeable batteries.
- Remove rechargeable batteries from the product before charging.
- If removable, rechargeable batteries are used, they are only to be charged under adult supervision.

## Fun Music and Sound Effects



- Press the button on the side of the musical fish to hear music and sound effects.

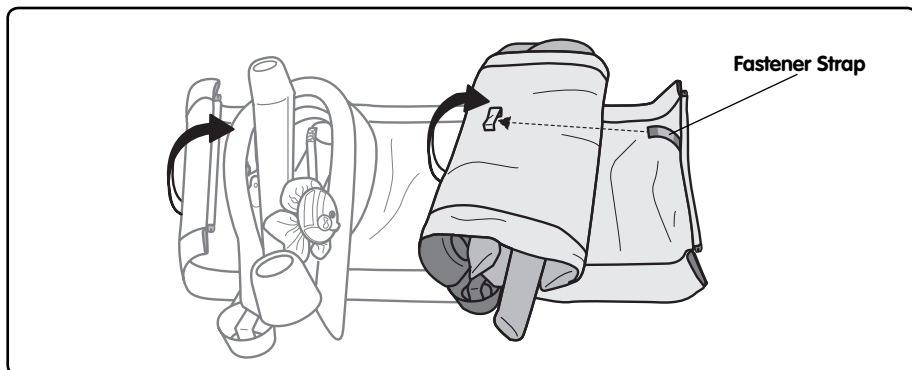
## Recycle Information (U.S.A. ONLY)



If your product contains replaceable button cell batteries, please remove and recycle the battery(ies). If the batteries in your product are not replaceable, please recycle your product.

- Visit your nearest recycling center. For the location of the nearest recycling center, visit us online at [www.service.mattel.com](http://www.service.mattel.com).
- If a recycling center is not available in your area, contact us for a pre-paid mailing label. Visit us online at [www.service.mattel.com](http://www.service.mattel.com) or call us toll-free, **1-800-432-5437**.

## Carry-Along



- Place the play quilt print side up on a flat surface.
- Attach the activity toys to the straps on the sides of the play quilt and place the toys on top of the quilt.
- Locate the fastener strap at one end of the play quilt. Place the supports and tubes at the opposite end of the play quilt and roll the play quilt from end to end.
- Fit the fastener strap through the loop on the outside of the play quilt and fasten to close.

## Care

- Machine-wash the play quilt in cold water on the gentle cycle. DO NOT use bleach. Tumble dry on low heat.
- Surface wash the tubes, activity toys and supports with a mild cleaning solution.
- This toy has no consumer serviceable parts. Please do not take this toy apart.

### For countries outside the United States:

**CANADA:** Questions? 1-800-432-5437. Mattel Canada Inc., 6155 Freemont Blvd., Mississauga, Ontario L5R 3W2; [www.service.mattel.com](http://www.service.mattel.com).

**GREAT BRITAIN:** Mattel UK Ltd, Vanwall Business Park, Maidenhead SL6 4UB. Helpline: 01628 500303; [www.service.mattel.com/uk](http://www.service.mattel.com/uk).

**AUSTRALIA:** Mattel Australia Pty. Ltd., 658 Church Street, Locked Bag #870, Richmond, Victoria 3121 Australia. Consumer Advisory Service 1300 135 312.

**NEW ZEALAND:** 16-18 William Pickering Drive, Albany 1331, Auckland.

**ASIA:** Mattel East Asia Ltd, Room 1106, South Tower, World Finance Centre, Harbour City, Tsimshatsui, HK, China.



## Free Manuals Download Website

<http://myh66.com>

<http://usermanuals.us>

<http://www.somanuals.com>

<http://www.4manuals.cc>

<http://www.manual-lib.com>

<http://www.404manual.com>

<http://www.luxmanual.com>

<http://aubethermostatmanual.com>

Golf course search by state

<http://golfingnear.com>

Email search by domain

<http://emailbydomain.com>

Auto manuals search

<http://auto.somanuals.com>

TV manuals search

<http://tv.somanuals.com>