



Product features and decorations may vary from picture above.

## Instructions

Model Number: H5988



## WARNING

**IMPORTANT! PLEASE KEEP INSTRUCTIONS FOR FUTURE REFERENCE.**

Please read these instructions before assembly and use of this product.  
Adult assembly is required. Tool needed for assembly: Phillips Screwdriver (not included).  
Requires four LR20 ("D") **alkaline** batteries (not included) for swing operation.  
Requires four LR6 ("AA") **alkaline** batteries (not included) for toybar operation.  
Only to be used by children that cannot climb out of seat.



[www.fisher-price.com](http://www.fisher-price.com)

Download from [Www.Somanuals.com](http://Www.Somanuals.com). All Manuals Search And Download.



## WARNING

**To prevent serious injury or death from falls and being strangled in the restraint system:**

- Always use the restraint system. Never rely on the tray to restrain child.
- Never use with an active child who may be able to climb out of the seat.
- Not recommended for children who can sit up by themselves (6 months approximately, until 9 kg (20 lbs)).
- Never leave the child unattended.
- It is dangerous to use this product on an elevated surface.



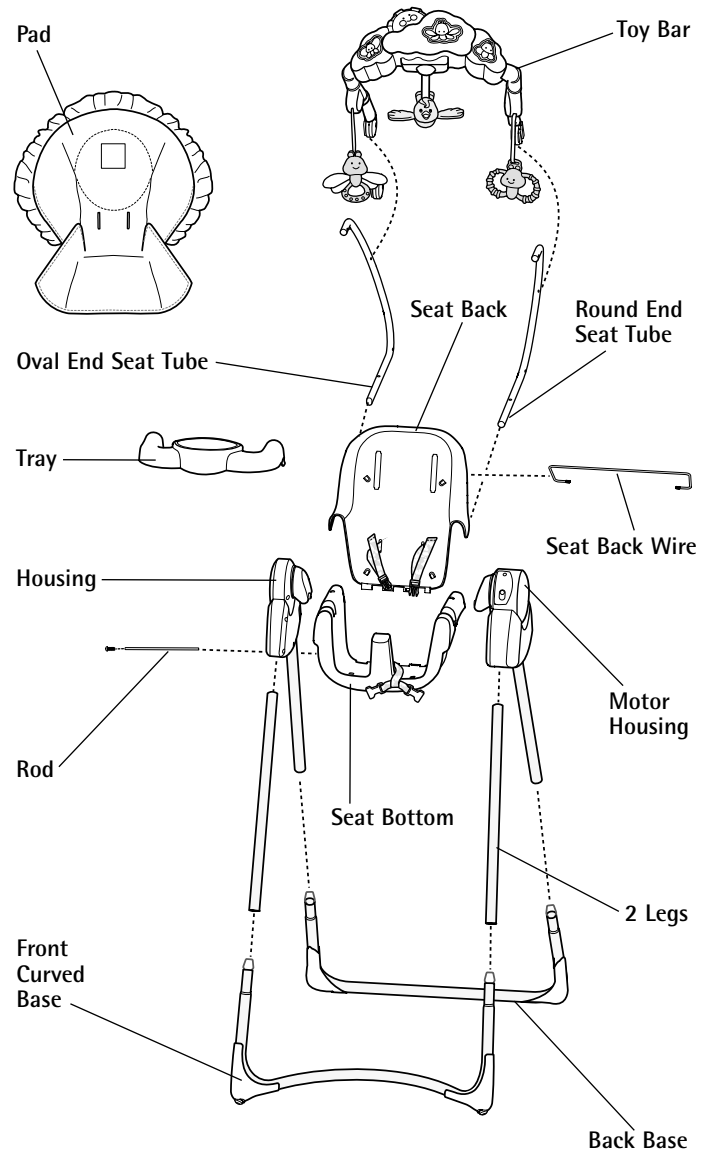
## CAUTION

This package contains small parts in its unassembled state.

Adult assembly is required.

## Parts

**IMPORTANT!** Please remove all parts from the package and identify them before assembly. Some parts may be packed in the pad.



Assembly Tool (This tool is not a toy. Please throw away after assembly is complete.)



3.8 cm Pin Screw – 2



Lock Nut – 2



#8 x 1.9 cm Screw – 3



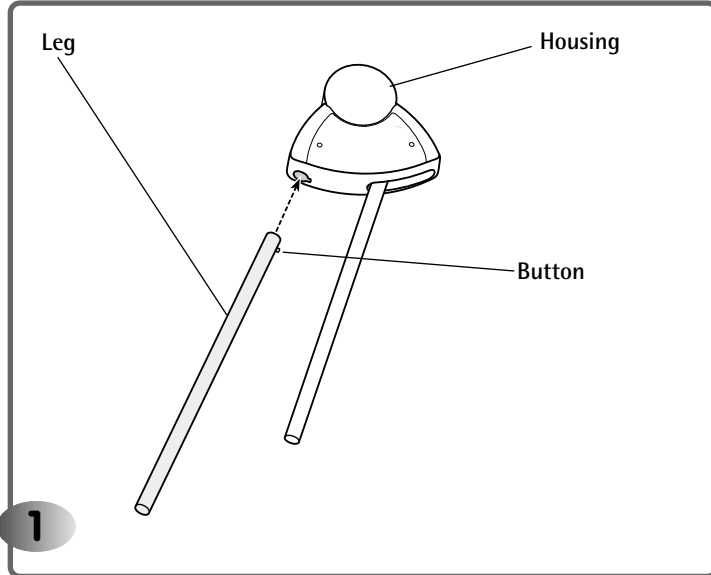
#6 x 3.18 cm Screw – 2

All Shown Actual Size

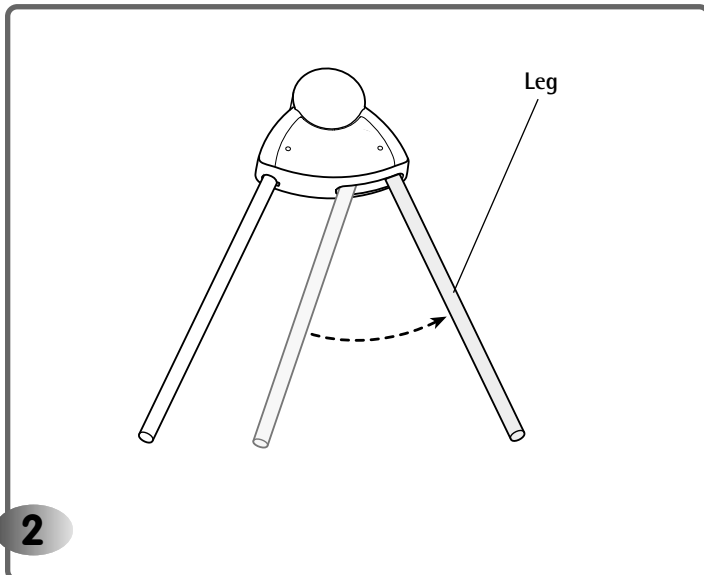
**Note:** Tighten or loosen all screws with a Phillips screwdriver. Do not over-tighten.

# Assembly

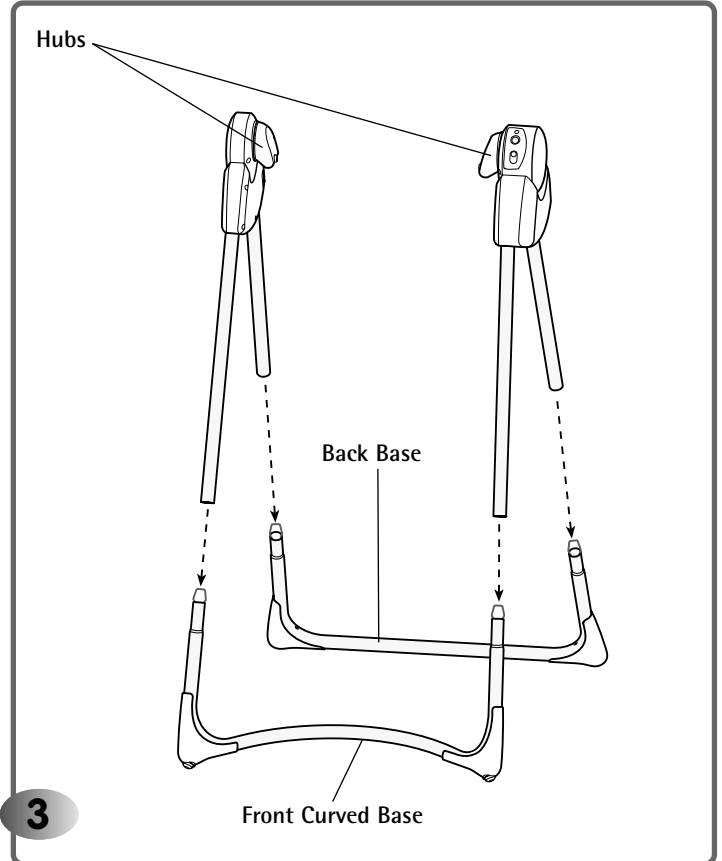
**IMPORTANT!** Before assembly, inspect this product for damaged hardware, loose joints, missing parts or sharp edges. DO NOT use if any parts are missing or broken. Contact Mattel for replacement parts and instructions if needed. Never substitute parts.



- Place a housing on a flat surface.
- Insert the button end of a leg into the hole in the housing.
- Push the leg in until it **"snaps"** into the housing.
- Repeat this procedure to assemble the other leg to the other housing.
- Pull the legs to be sure they are secure in the housings. If you can remove them, you have not assembled them correctly. Please re-read and repeat this assembly step.



- Pull the other leg back until it **"snaps"** into place in the housing.
- Repeat this procedure to **"snap"** the leg in the other housing into place.



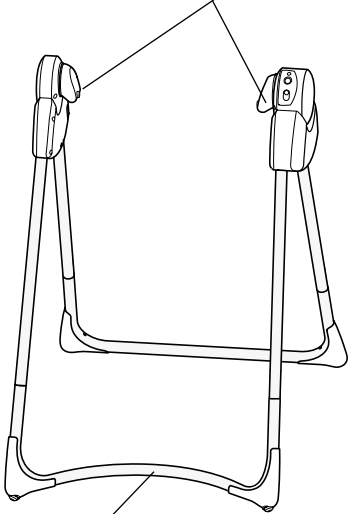
- Place the front curved base on a flat surface so that it curves away from you.
- Place the back base on a flat surface, behind the front curved base.
- Position the leg assemblies so that the hubs are facing each other.
- Fit the ends of the legs over the ends of the front and back bases, as shown.

**Hint:** You may need the help of another adult to help you balance the assembly.

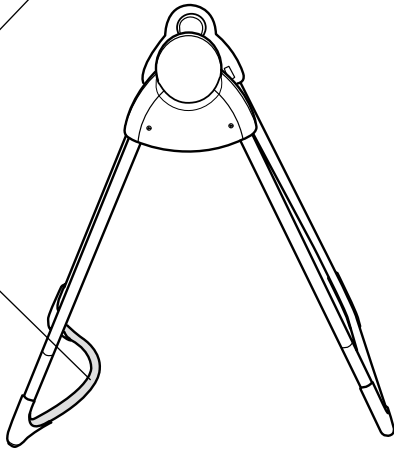
# Assembly

**CORRECT**

HUBS FACING IN

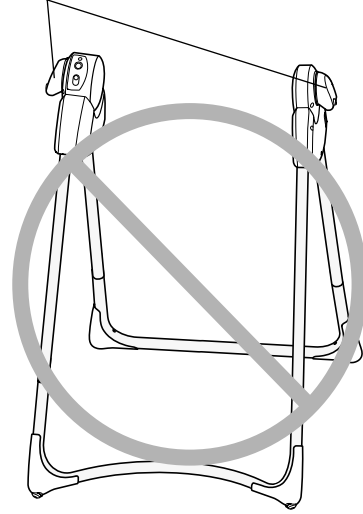


FRONT  
BASE  
CURVES  
INWARD

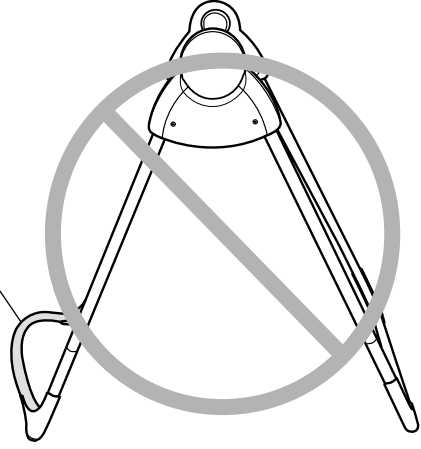


**INCORRECT**

HUBS FACING OUT



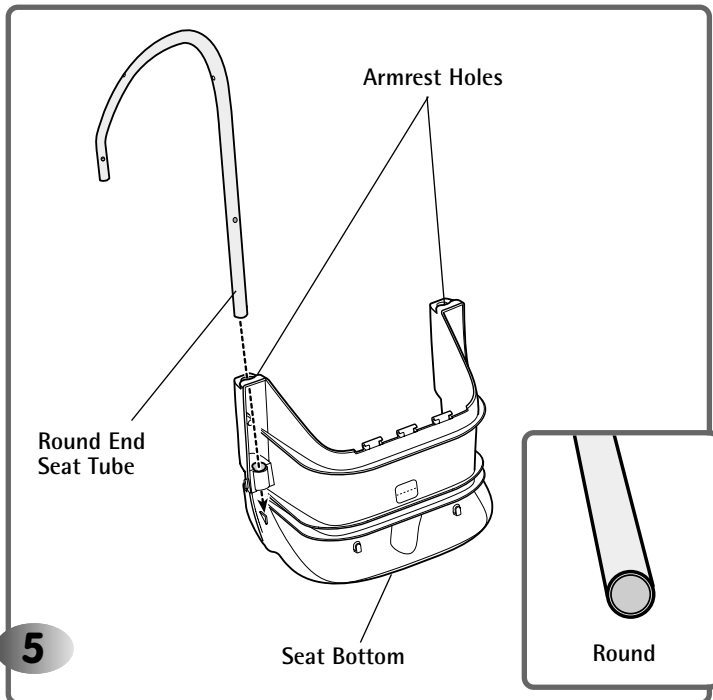
FRONT  
BASE  
CURVES  
OUT



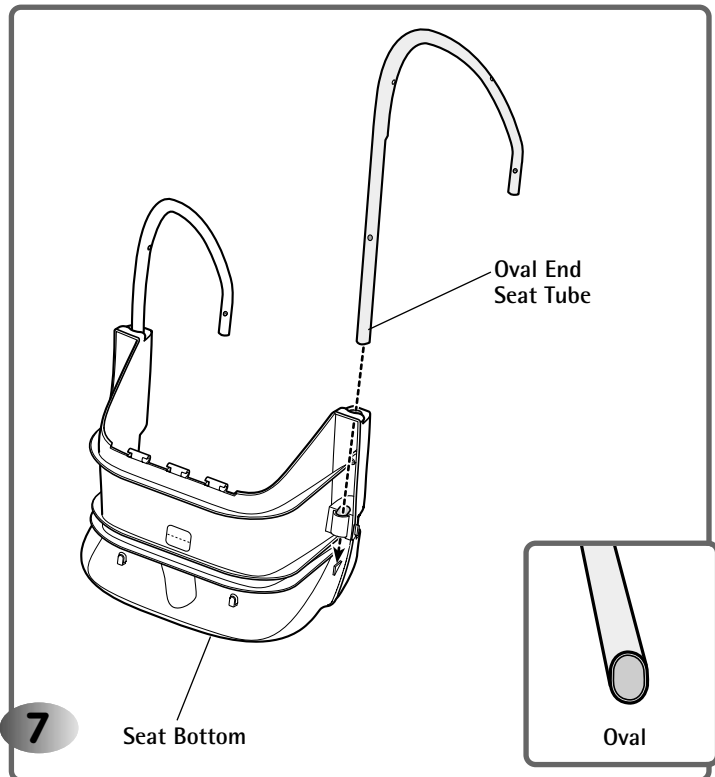
4

- Check to be sure you have assembled the leg assemblies to the bases correctly. Please refer to the illustrations above.
- If the leg assemblies are assembled incorrectly to the bases, simply pull the legs from the bases. Please re-read and repeat assembly step 3.
- Set the frame assembly aside.

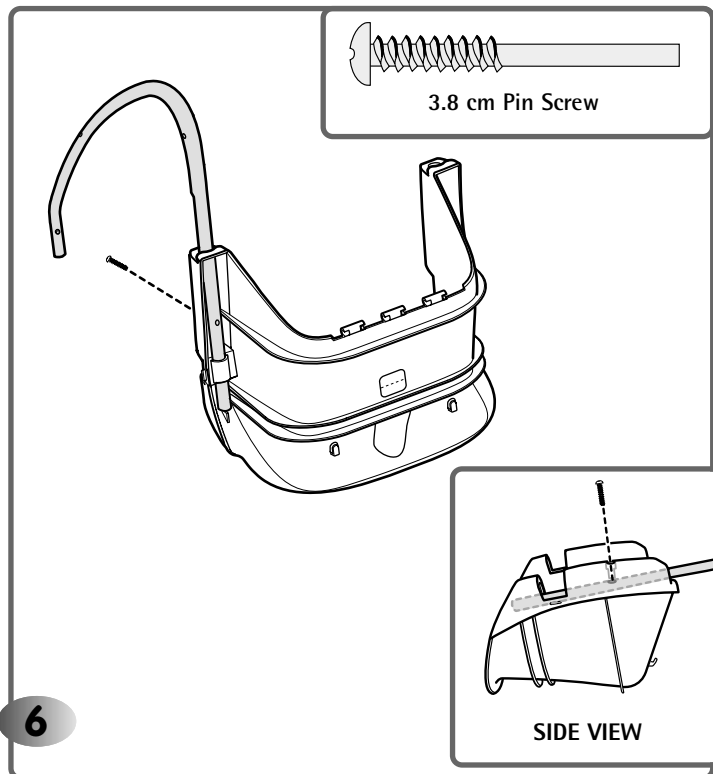
# Assembly



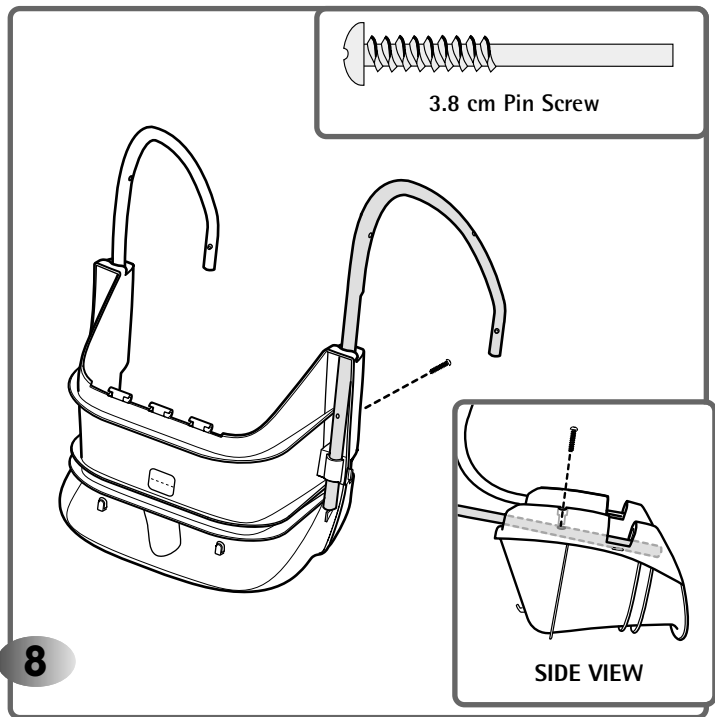
- Position the seat bottom so that the back faces you and the armrest holes are facing up.
  - Locate the round end seat tube.
- Hint:** Look at opening in the straight end of the tube. It should be round.
- Fit the round end seat tube into the round hole in the seat bottom.



- Locate the oval end seat tube.
- Hint:** Look at opening in the straight end of the tube. It should be oval.
- Fit the oval end seat tube into the oval opening in the seat bottom.

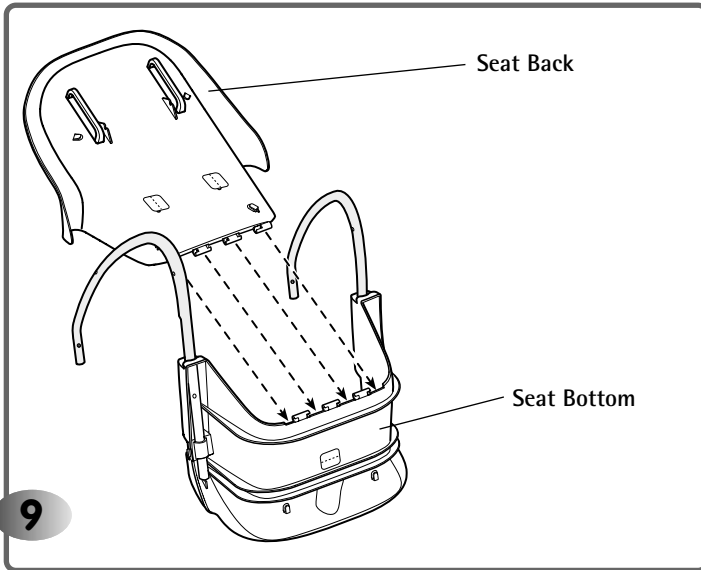


- Align the hole in the seat tube with the hole in the armrest.
- Insert a 3.8 cm pin screw through the armrest and into the seat tube. Tighten the screw.

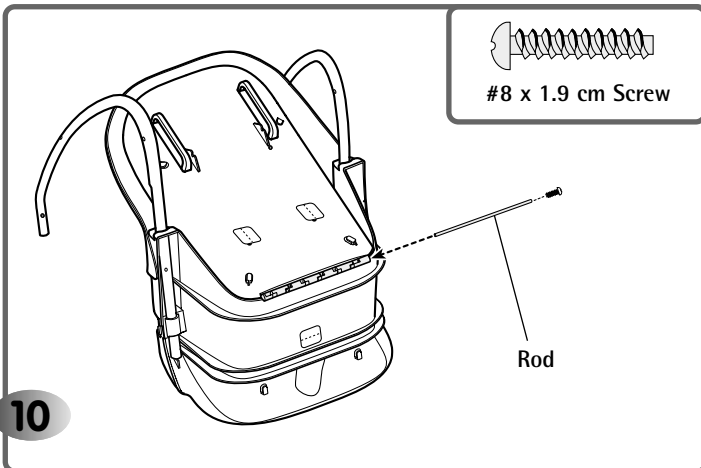


- Align the hole in the seat tube with the hole in the armrest.
- Insert a 3.8 cm pin screw through the armrest and into the seat tube. Tighten the screw.

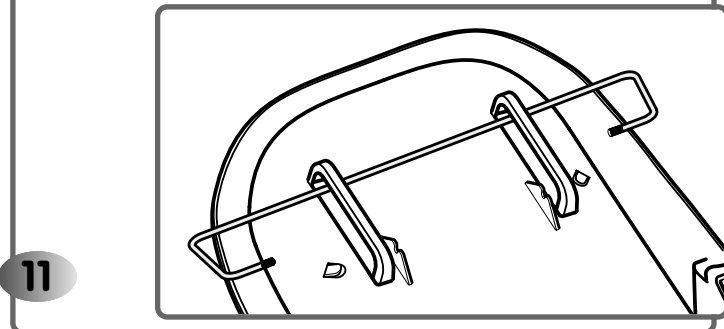
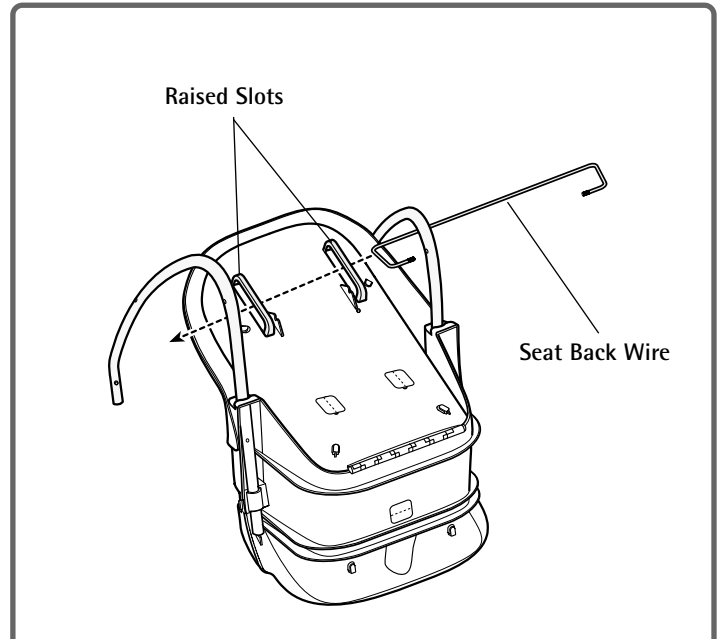
# Assembly



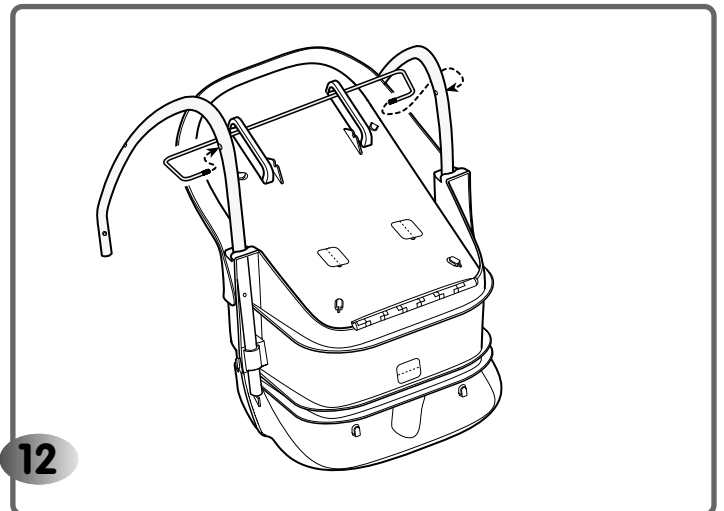
- Fit the seat back to the seat bottom.



- Insert the rod into the side opening between the seat back and seat bottom.
- Insert a #8 x 1.9 cm screw into the opening in the rod and tighten.

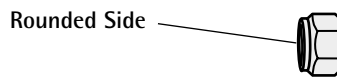
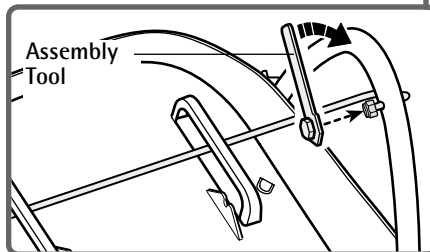
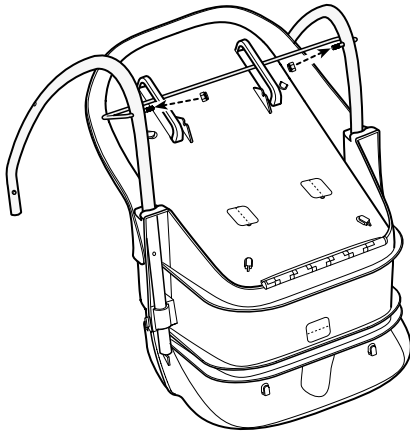


- Fit the seat back wire through the raised slots on the seat back.



- Fit the ends of the seat back wire into the **outside** holes in the seat tubes.

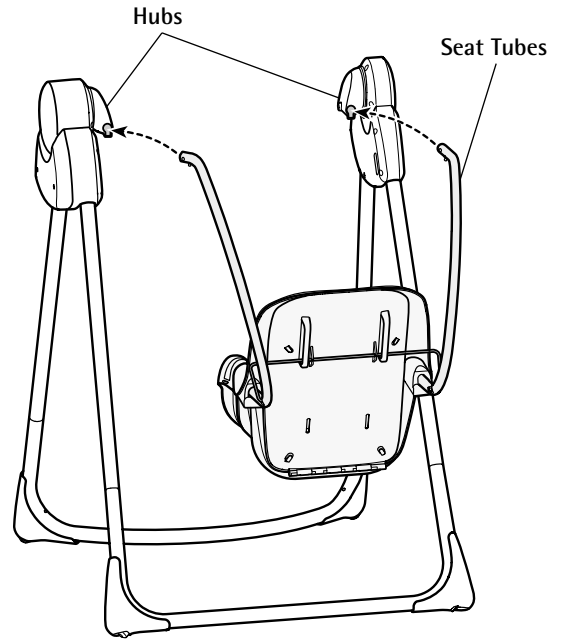
## Assembly



Lock Nut - 2

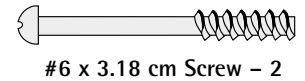
13

- Attach a lock nut, rounded side facing out, onto one end of a seat back wire.
- Tighten the lock nut by using the assembly tool. Turn the tool clockwise to tighten the lock nut.
- Repeat this procedure to attach the other lock nut to the other end of the seat back wire.
- Please throw the assembly tool away after completing this assembly step.

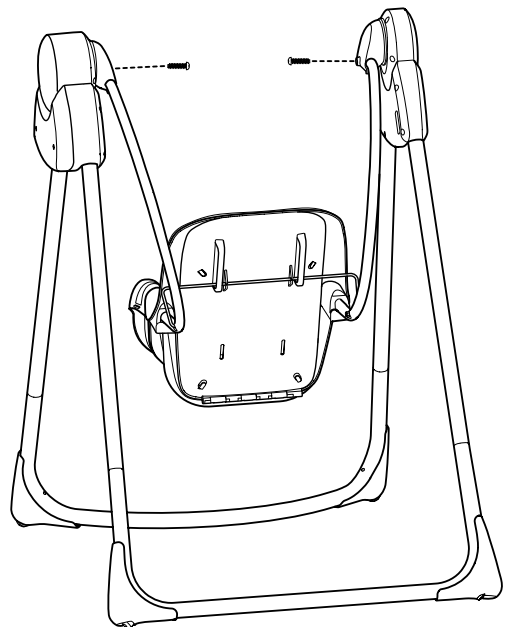


14

- Insert the ends of the seat tubes into the holes in the hubs.
- Push the seat tubes in until you hear a "snap" (for each).
- Push down on the seat to be sure the seat is secured in both frame hubs.



#6 x 3.18 cm Screw - 2



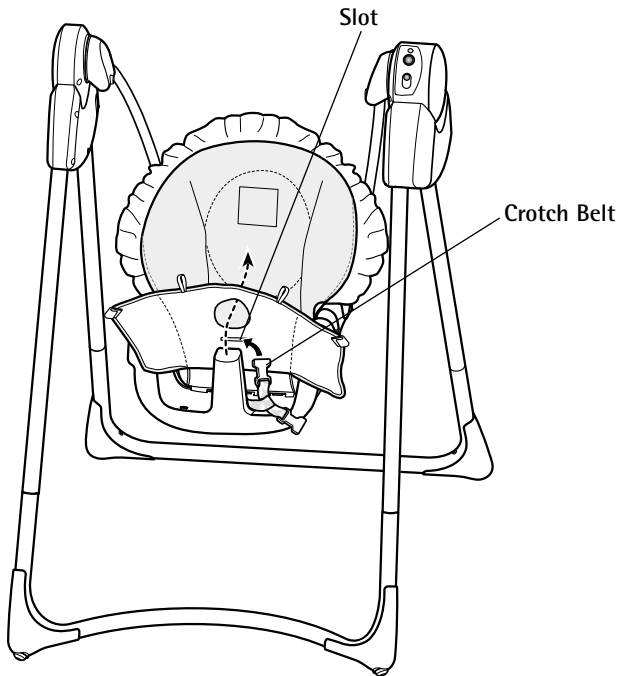
15

- Insert a #6 x 3.18 cm screw into each frame hub and tighten.
- Again, push down on the seat to be sure the seat is secured to both frame hubs.



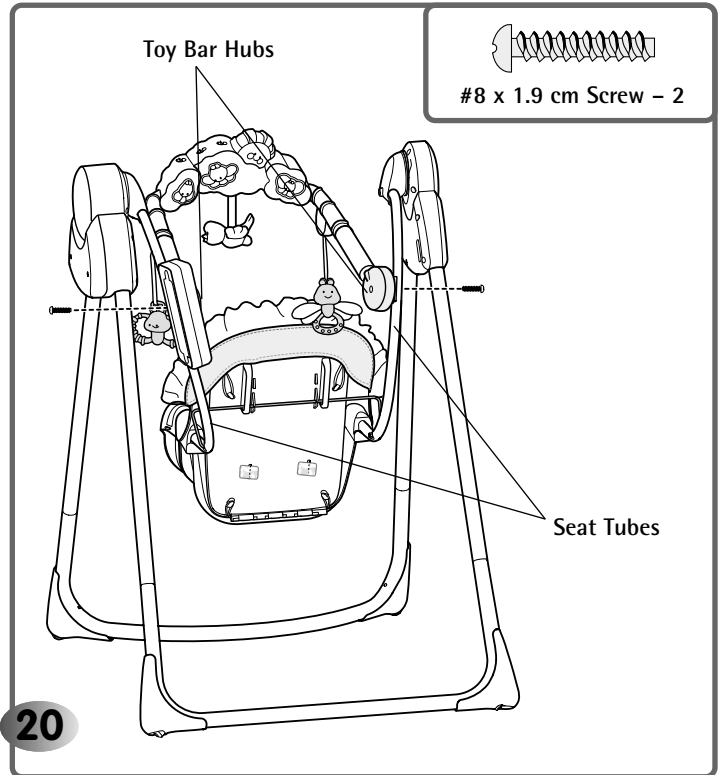


# Assembly



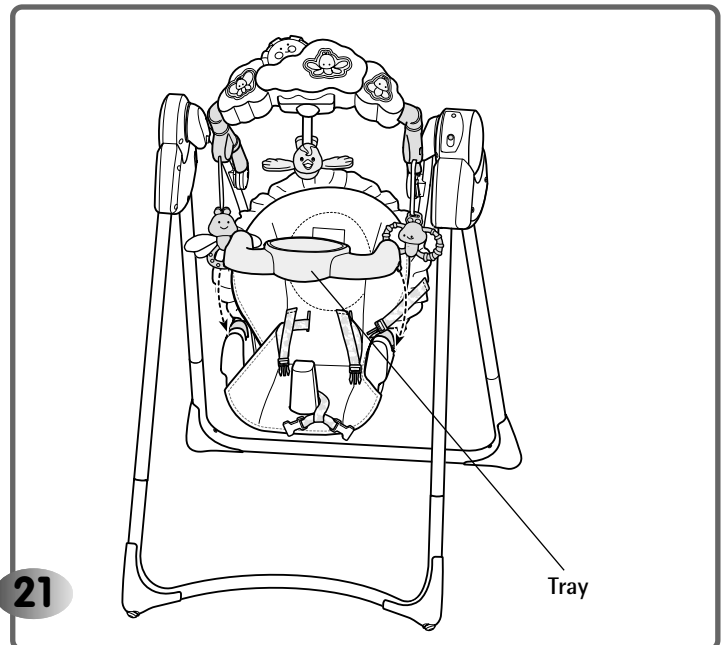
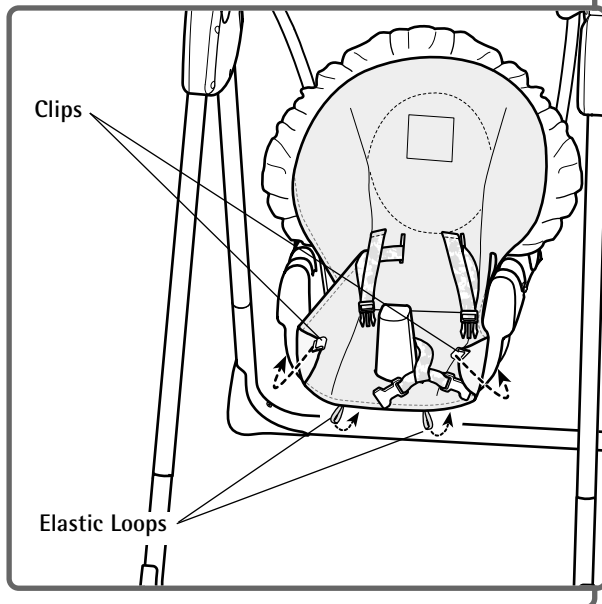
19

- Fit the crotch belt through the slot in the pad.
- Fit the pad side clips around the edge of the seat bottom.
- Fit the pad elastic loops around the front edge of the seat bottom. Attach the pad elastic loops to the tabs underneath the seat bottom.



20

- Fit the toybar hubs to the seat tubes.
- **Hint:** The toybar hubs are designed to fit to the seat tubes one way. If the toybar hubs do not fit correctly, turn the toybar around and try again.
- Insert a #8 x 1.9 cm screw through the seat tubes and into the toybar hubs. Tighten the screws.



21

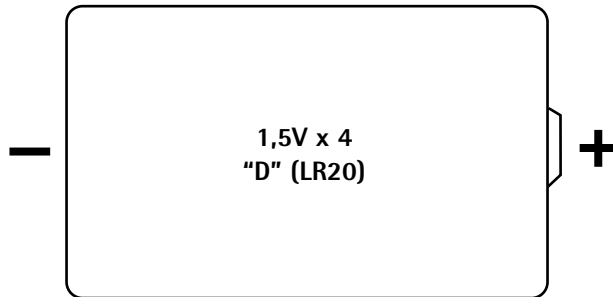
- Fit and "snap" the tray onto the seat armrests.

Assembly is now complete.

# Battery Installation

## Swing

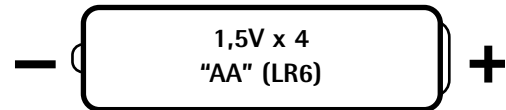
**Hint:** We recommend using **alkaline** batteries for longer battery life.



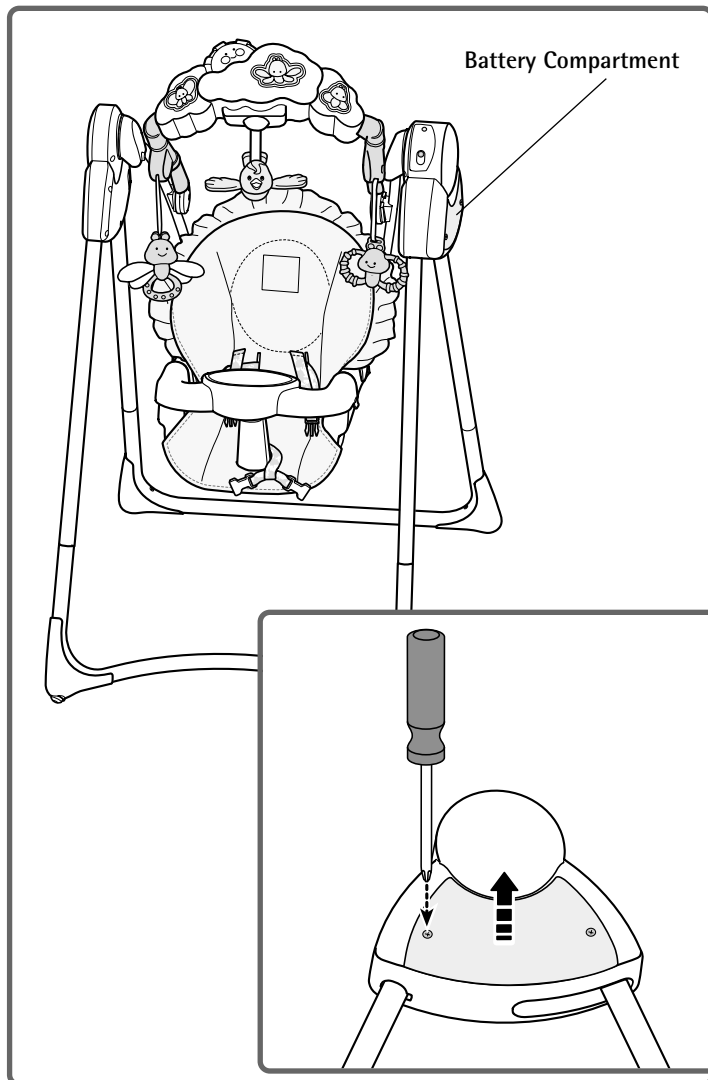
Shown Actual Size

## Toybar

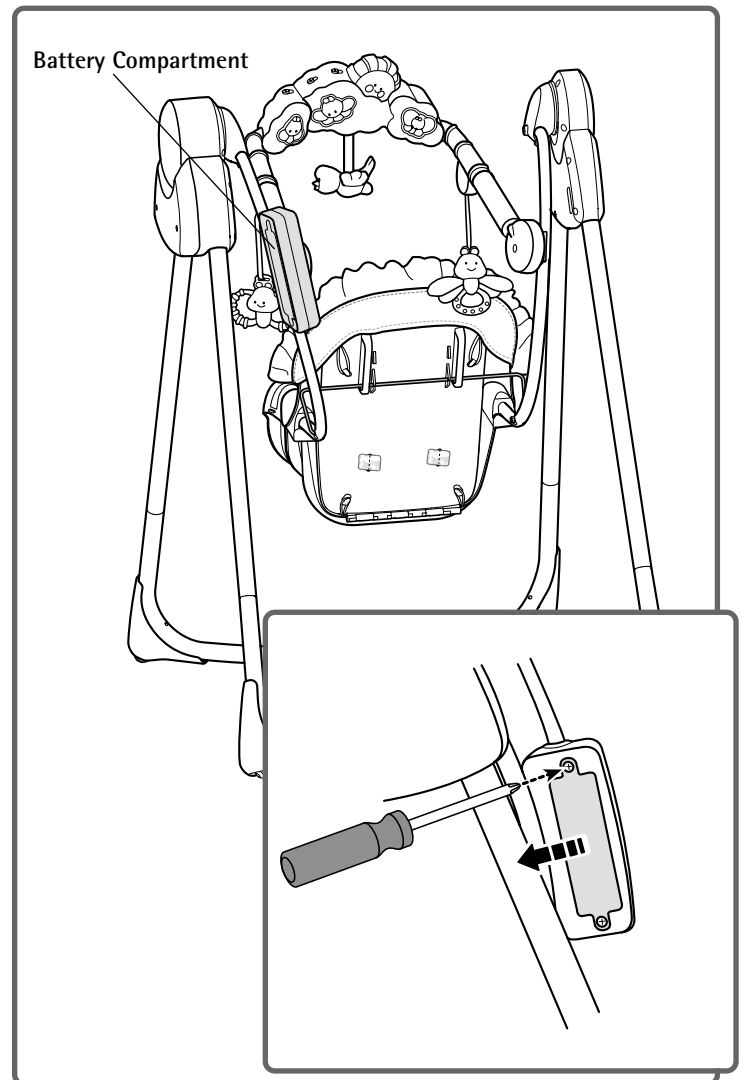
**Hint:** We recommend using **alkaline** batteries for longer battery life.



Shown Actual Size



- Loosen the screws in the battery compartment door and remove the battery compartment door.
- Insert four "D" (LR20) **alkaline** batteries into the battery compartment.
- Replace the battery compartment door and tighten the screws.



- Loosen the screws in the battery compartment door and remove the battery compartment door.
- Insert four "AA" (LR6) **alkaline** batteries into the battery compartment.
- Replace the battery compartment door and tighten the screws.

## Battery Safety Information

Batteries may leak fluids that can cause a chemical burn injury or ruin your product. To avoid battery leakage:

- Do not mix old and new batteries or batteries of different types: alkaline, standard (carbon-zinc) or rechargeable (nickel-cadmium).
- Insert batteries as indicated inside the battery compartment.
- Remove batteries during long periods of non-use. Always remove exhausted batteries from the product. Dispose of batteries safely. Do not dispose of batteries in a fire. The batteries may explode or leak.
- Never short-circuit the battery terminals.
- Use only batteries of the same or equivalent type as recommended.
- Do not charge non-rechargeable batteries.
- Remove rechargeable batteries from the product before charging.
- If removable, rechargeable batteries are used, they are only to be charged under adult supervision.

## Setup and Use



### WARNING

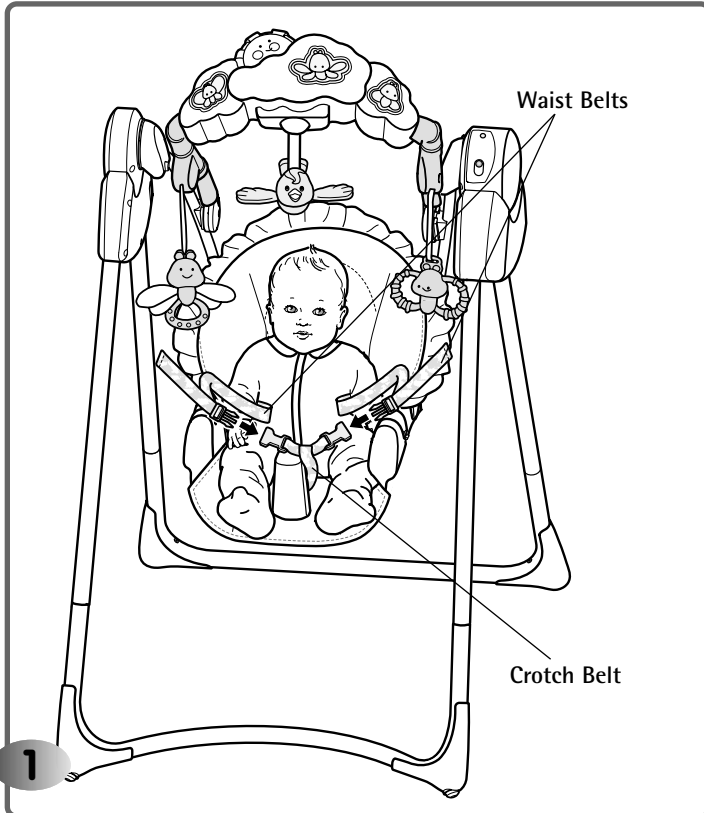
**To prevent serious injury or death from falls and being strangled in the restraint system:**

- Always use the restraint system. Never rely on the tray to restrain child.
- Never use with an active child who may be able to climb out of the seat.
- Not recommended for children who can sit up by themselves (6 months approximately, until 9 kg (20 lbs)).
- Never leave the child unattended.
- It is dangerous to use this product on an elevated surface.

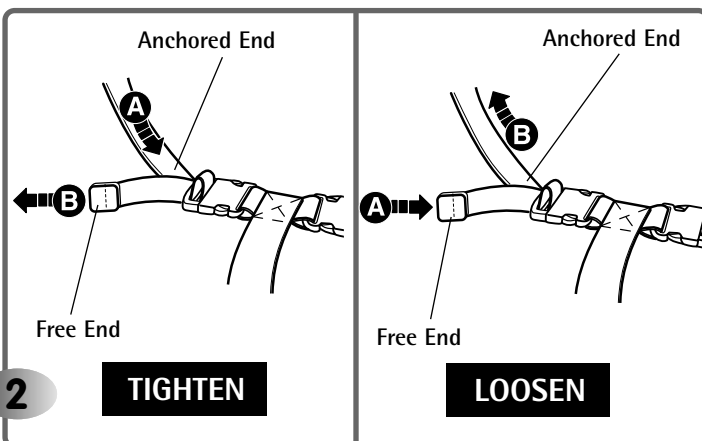
**IMPORTANT!** Before each use, inspect this product for damaged hardware, loose joints, missing parts or sharp edges. DO NOT use if any parts are missing or broken. Contact Mattel for replacement parts and instructions if needed. Never substitute parts.

# Setup and Use

## Securing your Infant



- Place your child in the seat. Position the crotch belt between your child's legs.
- Fasten the waist belts to the crotch belt. **Make sure you hear a "click" on both sides.**
- Check to be sure the restraint system is securely attached by pulling it away from your child. The restraint system should remain attached.



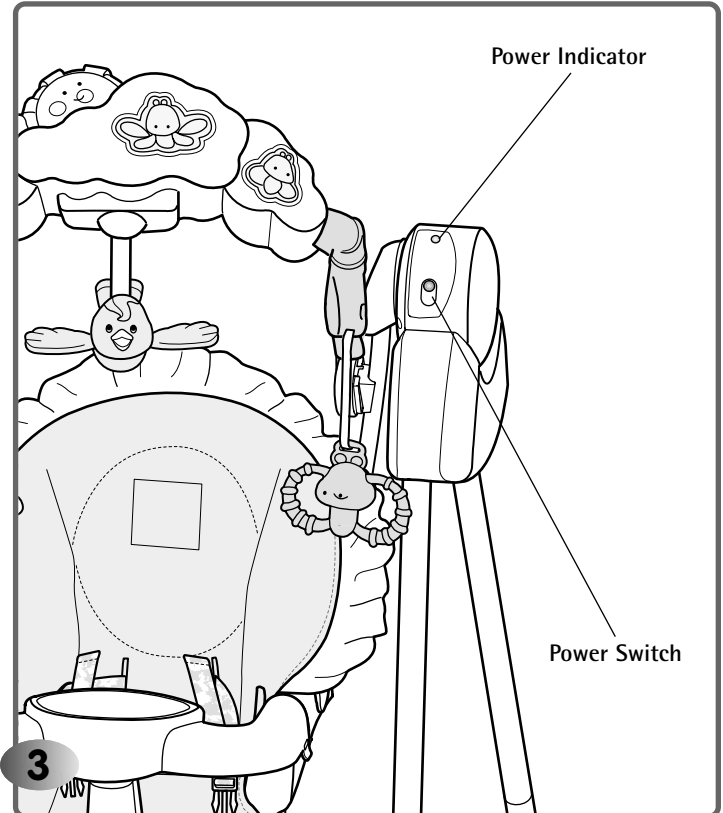
### To tighten the waist belts:

- Feed the anchored end of the waist belt up through the buckle to form a loop **A**. Pull the free end of the waist belt **B**.

### To loosen the waist belts:

- Feed the free end of the waist belt up through the buckle to form a loop **A**. Enlarge the loop by pulling on the end of the loop toward the buckle. Pull the anchored end of the waist belt to shorten the free end of the waist belt **B**.

## Swinging



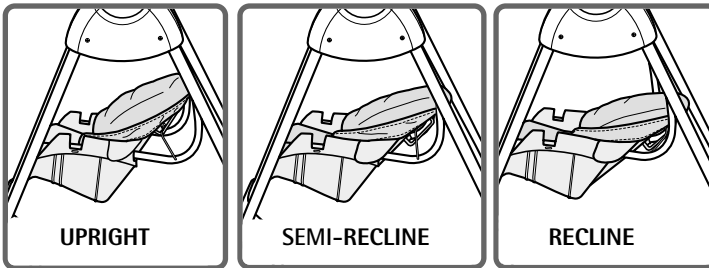
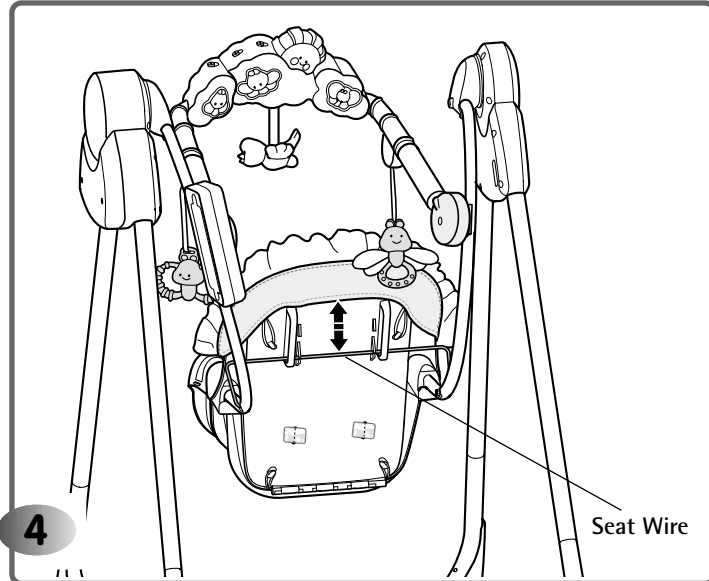
- Make sure your child is properly secured in the seat.
- Slide the swing power switch on to any of six speed settings. The power indicator lights.
- Give the seat a light push to begin swinging.
- Watch the bird "fly" when the seat swings!
- Be sure to slide the switch to the off position when the swing is not in use.

**Hint:** As with most battery-powered swings, a heavier child will reduce the amount of swinging motion on all settings. In most cases, the low setting works best for a smaller child while the high setting works best for a larger child.

**Note:** Low battery power may cause product movement to slow or turn off all together. If this should happen, please remove and discard all four batteries and replace with four, new "D" (LR6) alkaline batteries.

## Setup and Use

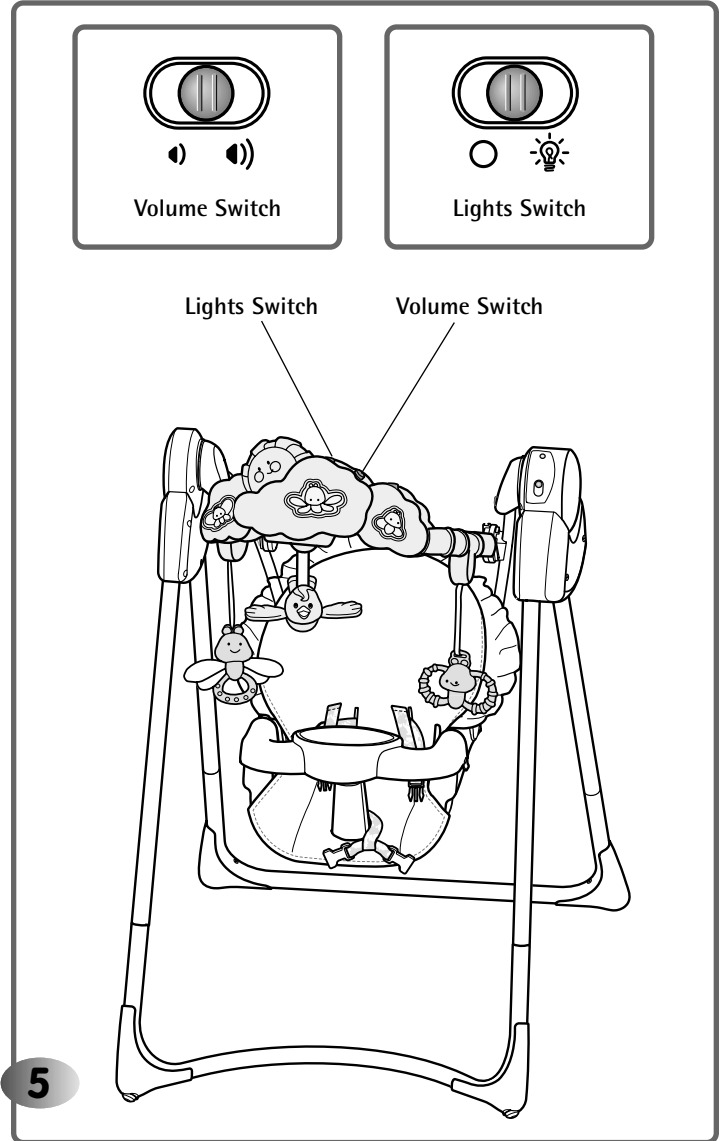
### Adjusting the Seat


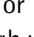
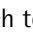
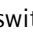


Adjust the seat angle to any of three positions: Upright, Semi-Recline or Recline. To adjust the seat angle:

- Lift or lower the seat wire into the grooves on the seat back.

### Using the Toy Bar

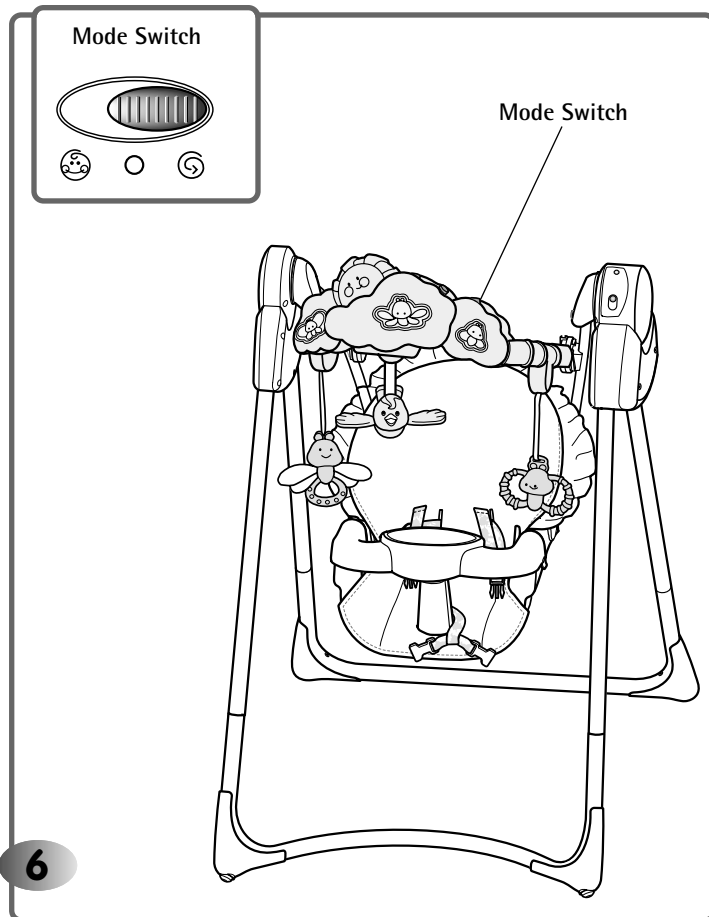



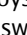
- Slide the lights switch to  On or  Off.
- Slide the volume switch to  high volume or  low volume.

**Hint:** Your baby can enjoy lights and music with or without swinging!

## Setup and Use

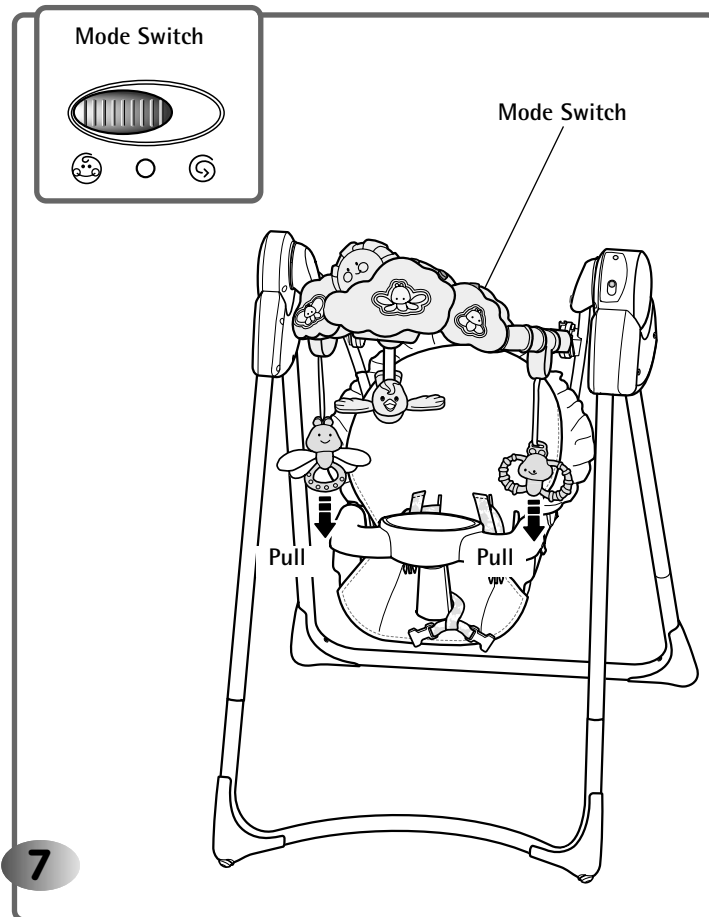
### Parent Activated


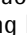


- Slide the mode switch to  Parent Activated.
- Baby enjoys 10 minutes of music along with twinkling lights (if lights switch is turned on).
- Slide the mode switch to  to turn the toybar off.

**Hint:** If sounds or lights slow or dim or turn off altogether, it's time to replace the batteries in the toybar. Replace the batteries with **four, new "AA" (LR6) alkaline batteries.**

### Baby Activated

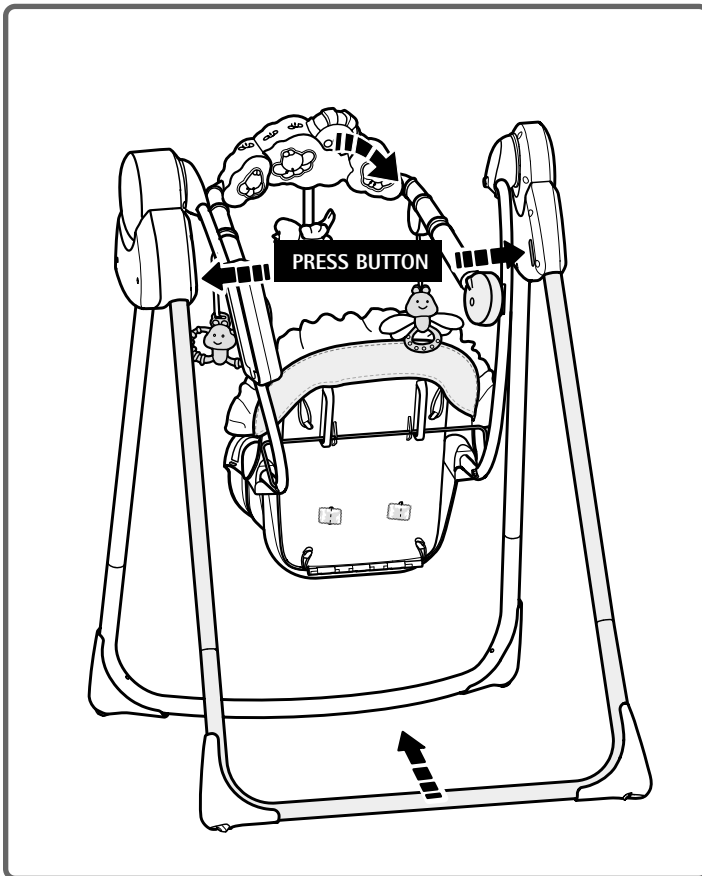


- Slide the mode switch to  Baby Activated.
- When baby pulls the toys on either end, baby enjoys a fun sound effect or short melody and twinkling lights (if lights switch is turned on).
- Slide the mode switch to  to turn the toybar off.

**IMPORTANT!** Do not pull the center bird toy!

**Hint:** If sounds or lights slow or dim or turn off altogether, it's time to replace the batteries in the toybar. Replace the batteries with **four, new "AA" (LR6) alkaline batteries.**

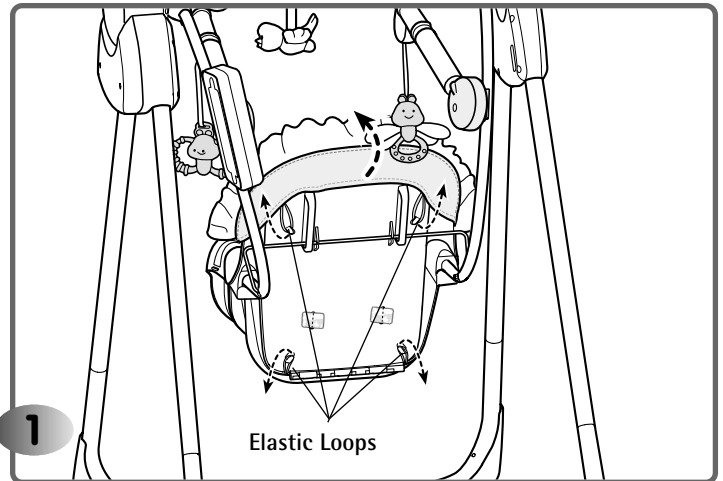
## Storage



- Press the button on each housing and push the rear legs toward the front legs. Stand the frame against a wall for storage.

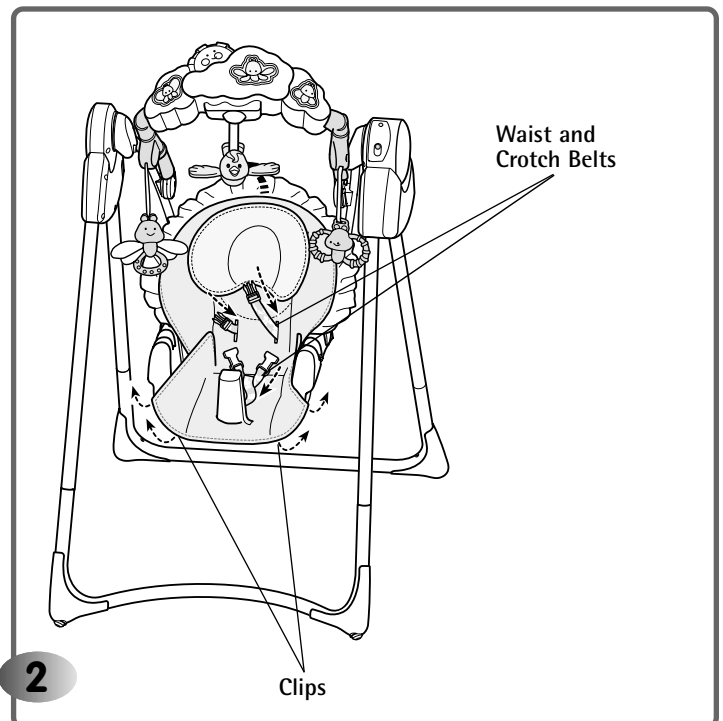
## Care

- The pad, frame and toy bar may be wiped clean using a mild cleaning solution and a damp cloth. Do not use bleach. Do not use harsh or abrasive cleaners. Rinse clean with water to remove residue.



### To remove the pad:

- Remove the four pad elastic loops from the seat back and bottom tabs.
- Remove the top of the pad from the seat.



- Unhook the pad clips from the sides of the seat.
- Remove the pad elastic loops from the front edge of the seat bottom.
- Push the waist and crotch belts back through the pad slots.
- Remove the pad from the seat.

To replace the pad, refer to Assembly steps 16-19.

## Consumer Information

### GREAT BRITAIN

Helpline: 01628 500302. Or write to: Mattel UK Ltd, Vanwall Business Park, Maidenhead SL6 4UB.

### AUSTRALIA

Mattel Australia Pty. Ltd., 658 Church Street, Locked Bag #870, Richmond, Victoria 3121 Australia. Consumer Advisory Service 1300 135 312.

### ASIA

Mattel East Asia Ltd, Room 1106, South Tower, World Finance Centre, Harbour City, Tsimshatsui, HK, China.

### MALAYSIA

Diimport & Diedarkan Oleh: Mattel SEA Ptd Ltd. (993532-P) Lot 13.5, 13th Floor, Menara Lien Hoe, Persiaran Tropicana Golf Country Resort, 47410 PJ. Tel: 03-78803817, Fax: 03-78803867.



## Free Manuals Download Website

<http://myh66.com>

<http://usermanuals.us>

<http://www.somanuals.com>

<http://www.4manuals.cc>

<http://www.manual-lib.com>

<http://www.404manual.com>

<http://www.luxmanual.com>

<http://aubethermostatmanual.com>

Golf course search by state

<http://golfingnear.com>

Email search by domain

<http://emailbydomain.com>

Auto manuals search

<http://auto.somanuals.com>

TV manuals search

<http://tv.somanuals.com>