



Swing



Rocker



Infant Seat

 **WARNING**
IMPORTANT! KEEP INSTRUCTIONS FOR FUTURE REFERENCE.

Consumer Information



WARNING

To prevent injury or death from falls or being strangled in the restraint system

- Never leave child unattended.

When used as a Swing:

- Always use the restraint system.
- Never use with an active child who may be able to climb out of the product.

When used as an Infant Seat or Rocker:

- **Fall Hazard** - It is dangerous to use this product on an elevated surface. Use only on a floor.
- **Suffocation Hazard** - Never use on a soft surface (bed, sofa, cushion) since the product can tip over and cause suffocation in soft surfaces.
- Always use the restraint until child is able to climb in and out of the product unassisted.
- Never use as a carrier. Never use the toy bar as a handle.
- Infant seat and swing modes not recommended for children who can sit up by themselves (6 months approximately, until 9 kg/20 lbs).
- Use the Rocker position only when child has developed enough upper body control to sit without leaning forward.

• **IMPORTANT! PLEASE KEEP THESE INSTRUCTIONS FOR FUTURE REFERENCE, AS THEY CONTAIN IMPORTANT INFORMATION.**

- Please read these instructions before assembly and use of this product.
- Adult assembly is required. Tools needed for assembly: Phillips screwdriver (not included) and assembly tool (included).
- Requires four "D" (LR20) **alkaline** batteries (not included) for swing operation.
- In Swing mode, only to be used by children that cannot climb out of seat.
- In Infant Seat and Rocker mode, designed for use with children from birth to 9 kg (20 lbs).
- In Rocker mode, always use restraint until your child is able to climb in and out of the chair unassisted.
- Product features and decoration may vary from photos.

Great Britain: Vanwall Business Park, Maidenhead SL6 4UB.
Helpline: 01628 500303. www.service.mattel.com/uk.

Australia: Mattel Australia Pty. Ltd., 658 Church Street,
Locked Bag #870, Richmond, Victoria 3121 Australia.
Consumer Advisory Service 1300 135 312.

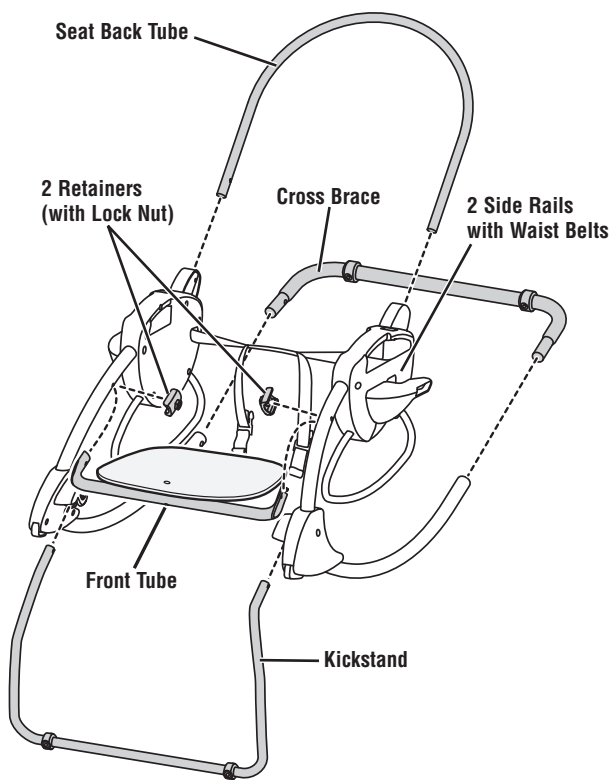
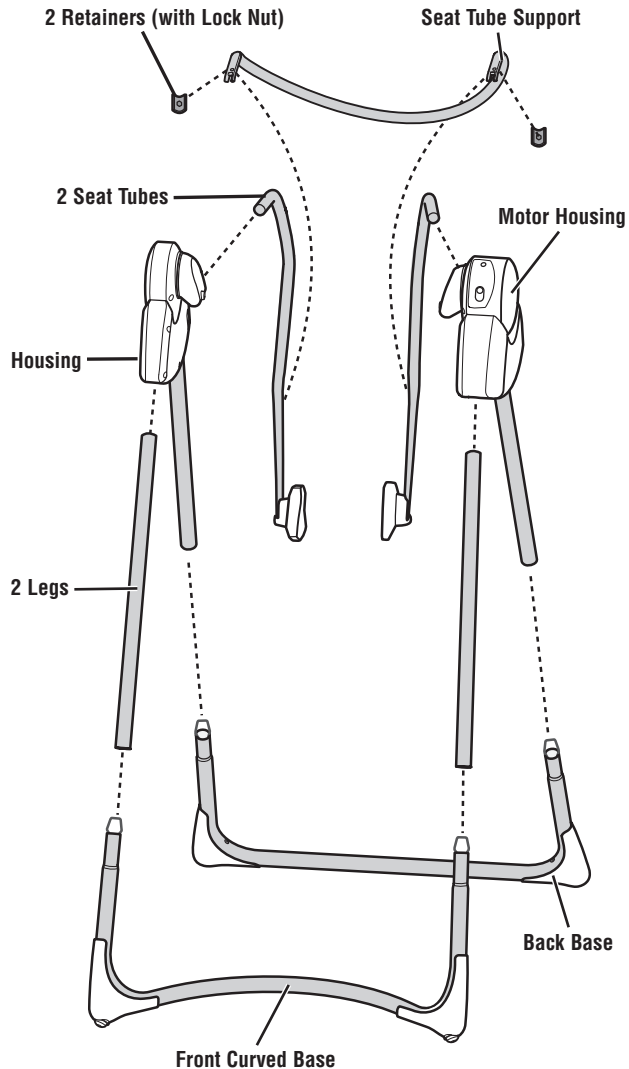
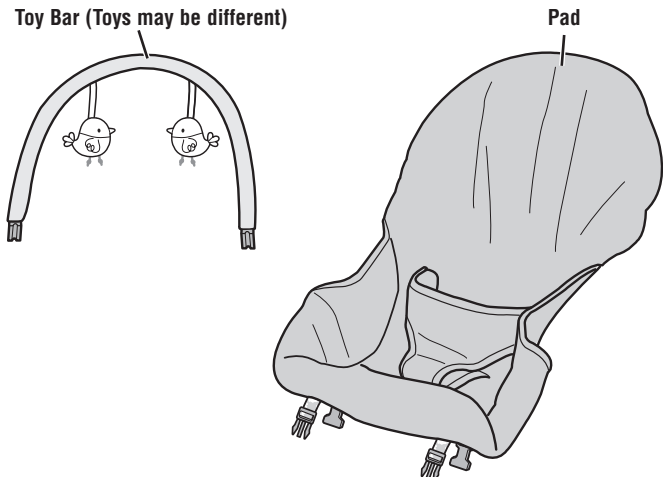
New Zealand: 16-18 William Pickering Drive, Albany 1331, Auckland.

Asia: Mattel East Asia Ltd, Room 1106, South Tower, World Finance Centre,
Harbour City, Tsimshatsui, HK, China.

Malaysia: Diimport & Diedarkan Oleh: Mattel SEA Ptd Ltd. (993532-P)
Lot 13.5, 13th Floor, Menara Lien Hoe, Persiaran Tropicana Golf Country
Resort, 47410 PJ. Tel: 03-78803817, Fax: 03-78803867.

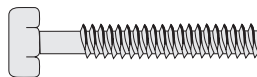
Parts

IMPORTANT! Please remove all parts from the package and identify them before assembly. Some parts may be packed inside the pad.



Assembly Tool (This tool is not a toy. Please throw away after assembly is complete.)

Note: Tighten or loosen screws with a Phillips screwdriver or the assembly tool. Do not over-tighten the screws.



M5 x 2,9 cm Screw – 4



#4 x 3,18 cm Screw – 2

Shown Actual Size

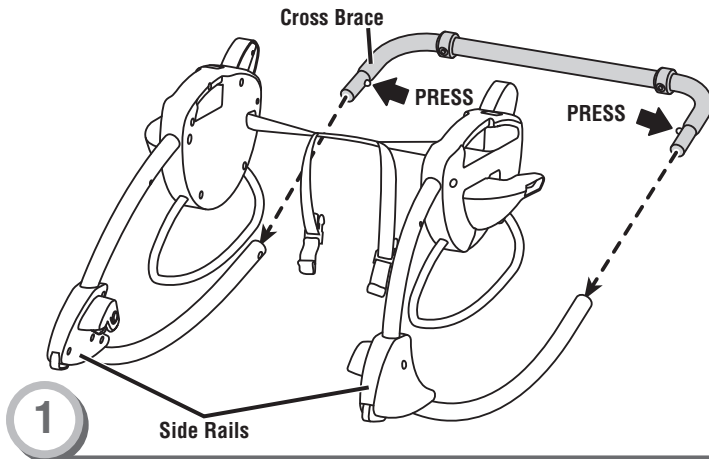
IMPORTANT! Before assembly, inspect this product for damaged hardware, loose joints, missing parts or sharp edges. DO NOT use if any parts are missing or broken. Contact Fisher-Price® for replacement parts and instructions if needed. Never substitute parts.

Infant Seat/Rocker Assembly

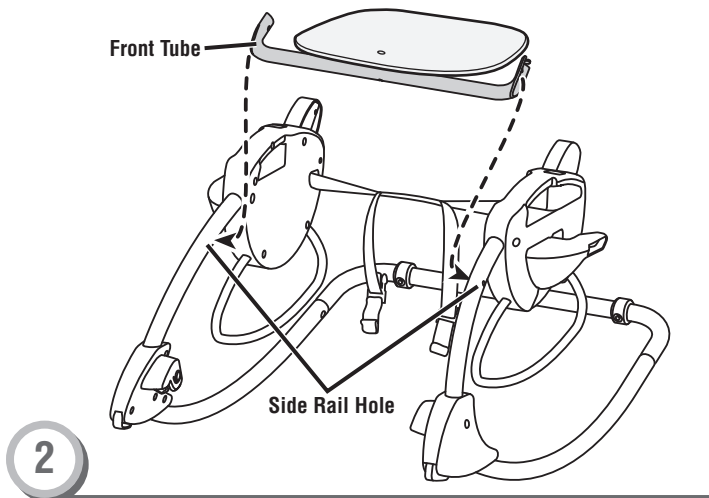


CAUTION

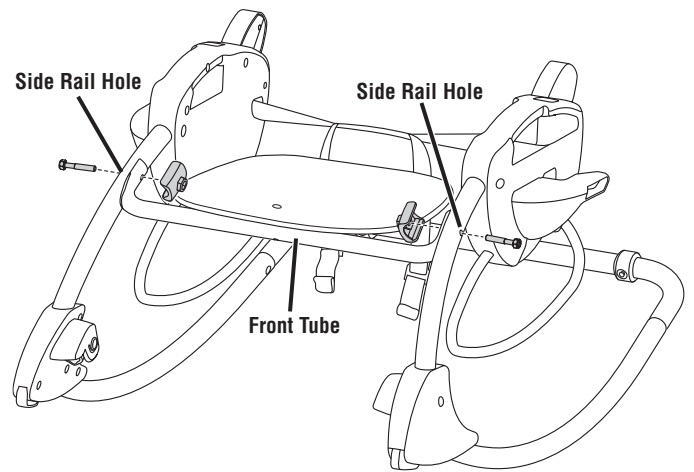
This package contains small parts in its unassembled state. Adult assembly is required.



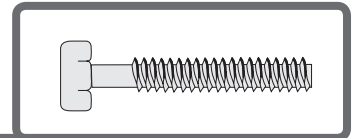
- 1
- While pressing the tab on each end of the cross brace, insert the cross brace into the side rails, as shown. Make sure you hear a “snap” on each side.



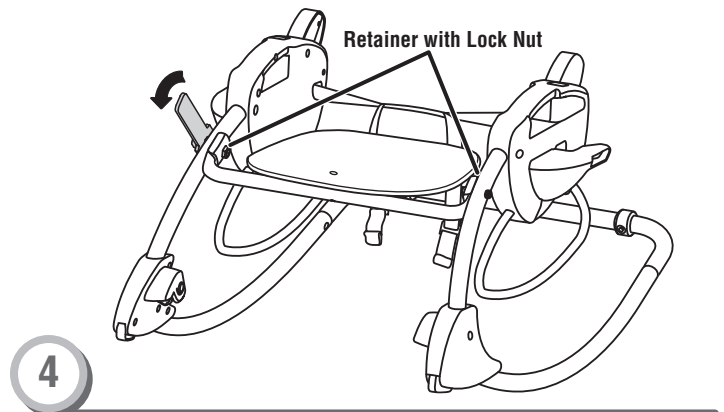
- 2
- Locate the hole in each side rail.
 - Position the front tube so that it is a U shape.
 - Fit the front tube to the side rails, as shown. Hold the front tube in place and proceed to step 3.



3

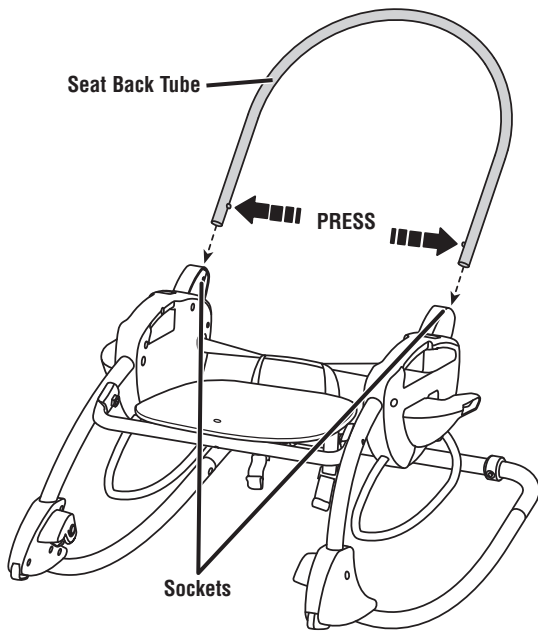


- Insert a M5 x 2,9 cm screw through the outside of each side rail and into the ends of the front tube.
- IMPORTANT!** Please follow the next assembly (step 4) carefully to completely secure the front tube to the side rails.



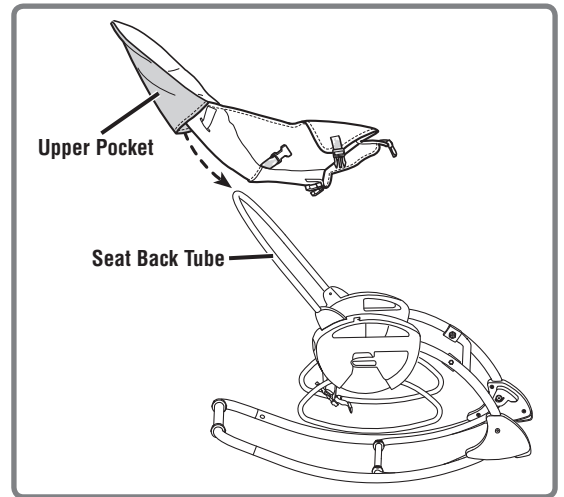
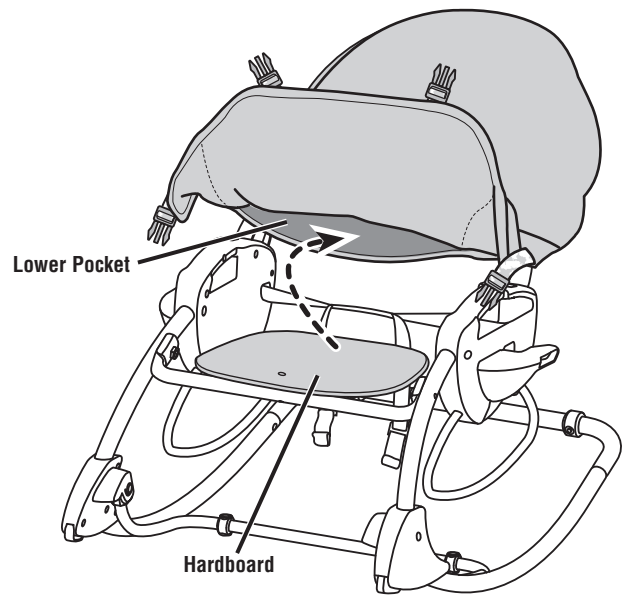
- 4
- Fit a retainer with lock nut onto the end of a screw and to the inside of a side rail. Tighten the screw using the assembly tool. Turn the tool clockwise to tighten.
- Hint:** A lock nut has been factory assembled to the retainer. During shipment, the lock nut may have fallen out of the retainer. If it has, please fit it into the hexagonal hole in the retainer so that the rounded side of the lock nut faces out.
- Repeat this procedure to fasten the screw to the other end of the front tube and side rail using another retainer with lock nut.

Infant Seat/Rocker Assembly



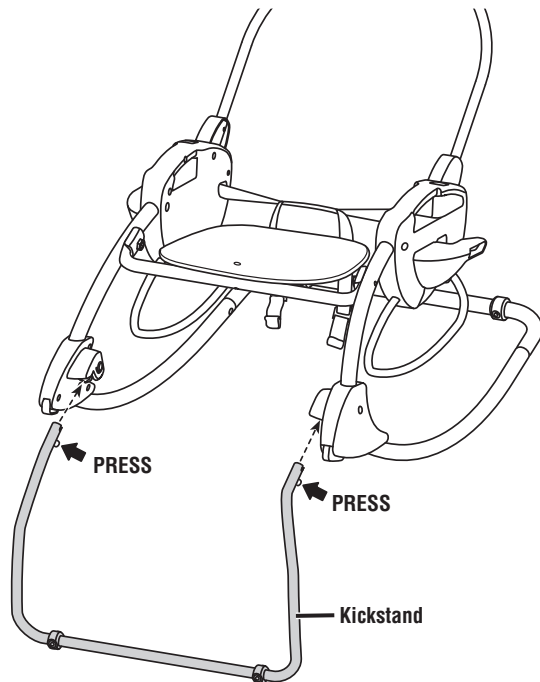
5

- Insert the seat back tube into the socket in each side rail.
- While pressing the tabs on the ends of the seat back tube, continue to insert the seat back tube into the sockets in each side rail until the tabs “snap” into place. **Make sure you hear a “snap” on each side.**
- Pull the seat back tube up to be sure it is secure in the side rail sockets.



7

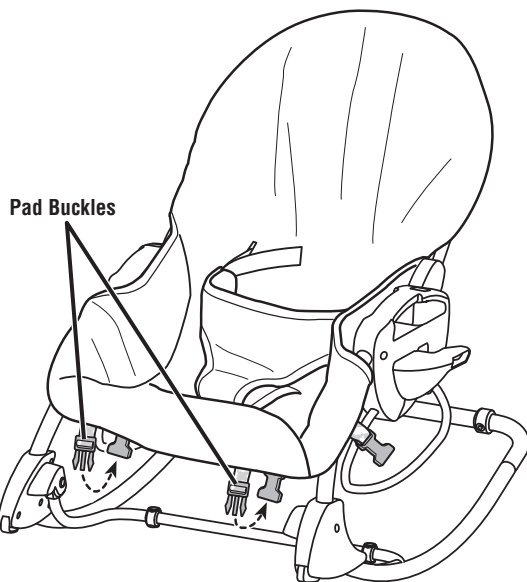
- Fit the upper pocket on the pad onto the seat back tube.
- Turn the hardboard over and insert it into the slot in the front edge of the pad.



6

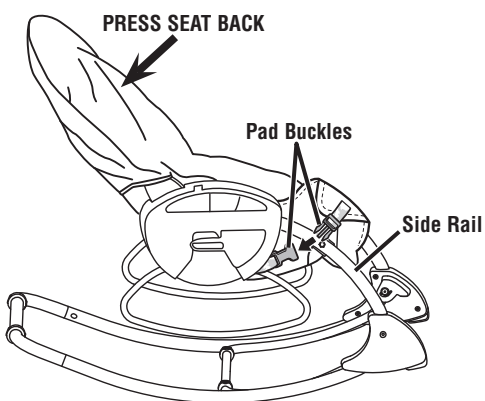
- While pressing the tab on each end of the kickstand, insert the kickstand into the small tube inside each side rail.
- Hint: The kickstand is designed to fit into the siderails one way. If you cannot insert it into the small tubes (inside the side rails), turn it around and re-insert it into the small tubes.*
- Push the kickstand into the small tubes until the tabs “snap” into place. **Make sure you hear a “snap” on each side.**
 - Pull the kickstand to be sure it is secure in each side rail.

Infant Seat/Rocker Assembly



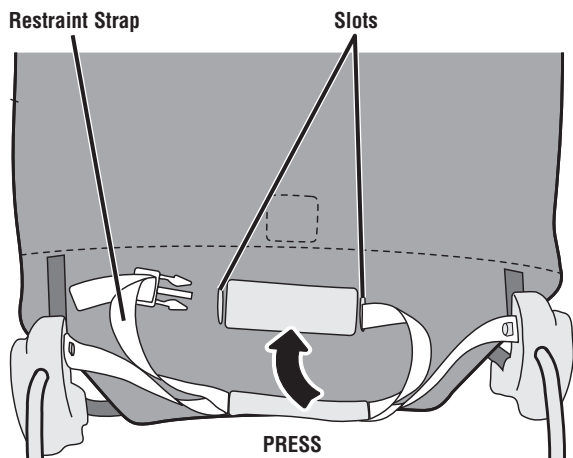
8

- Fasten the pad buckles on the front edge of the pad and underneath the seat. **Make sure you hear a “snap” on both sides.**



9

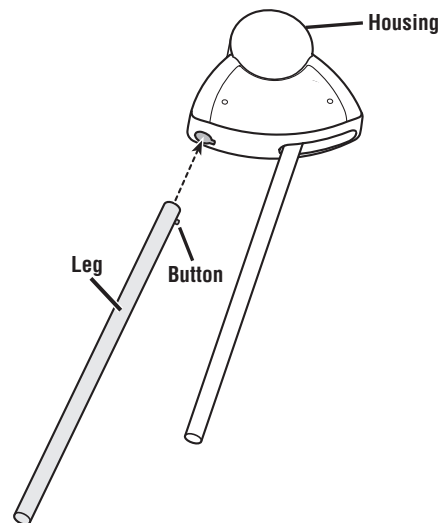
- Fasten the pad buckles around each side rail.
- Press the fasteners together in the seat back portion of the pad.



10

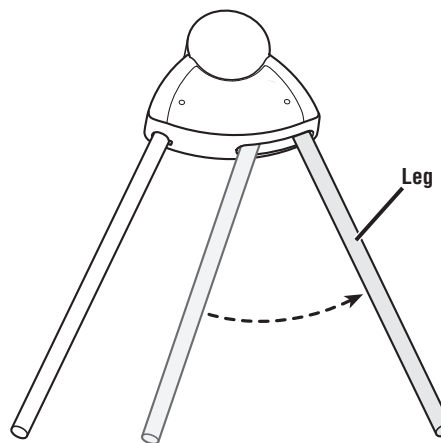
- From behind the assembly, insert the restraint straps through the slots in the pad.
- Press to fasten the restraint strap assembly to the pad.

Swing Frame Assembly



1

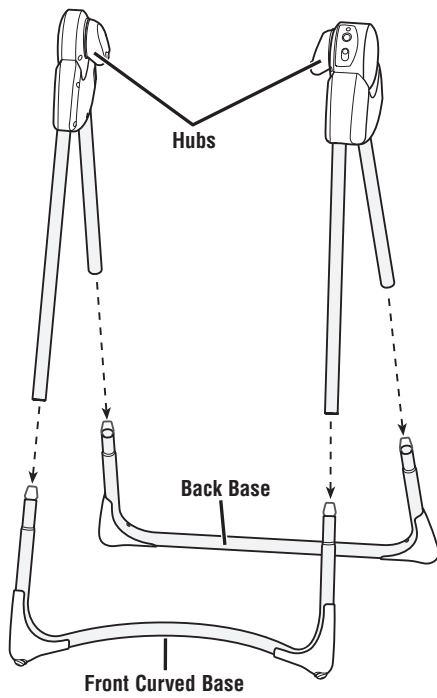
- Place a housing on a flat surface.
- Insert the button end of a leg into the hole in the housing.
- Push the leg in until it **“snaps”** into the housing.
- Repeat this procedure to assemble the other leg to the other housing.
- Pull the legs to be sure they are secure in the housings. If you can remove them, you have not assembled them correctly. Please re-read and repeat this assembly step.



2

- Pull the other leg back until it **“snaps”** into place in the housing.
- Repeat this procedure to **“snap”** the leg in the other housing into place.

Swing Frame Assembly

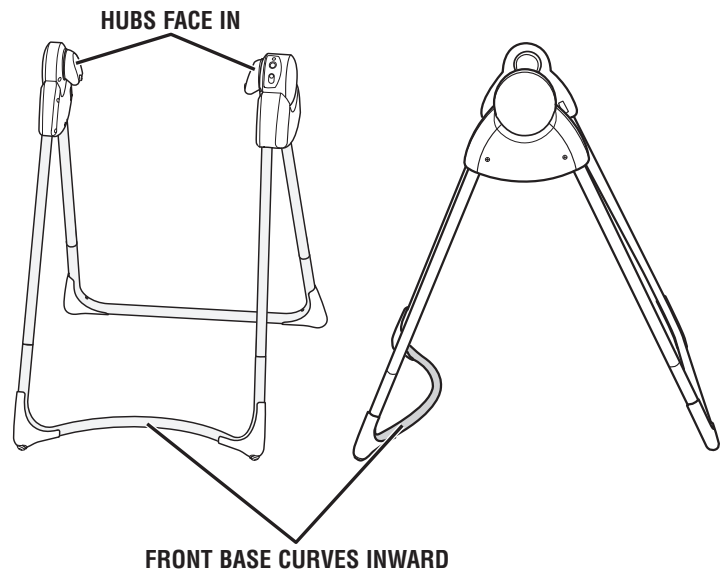


3

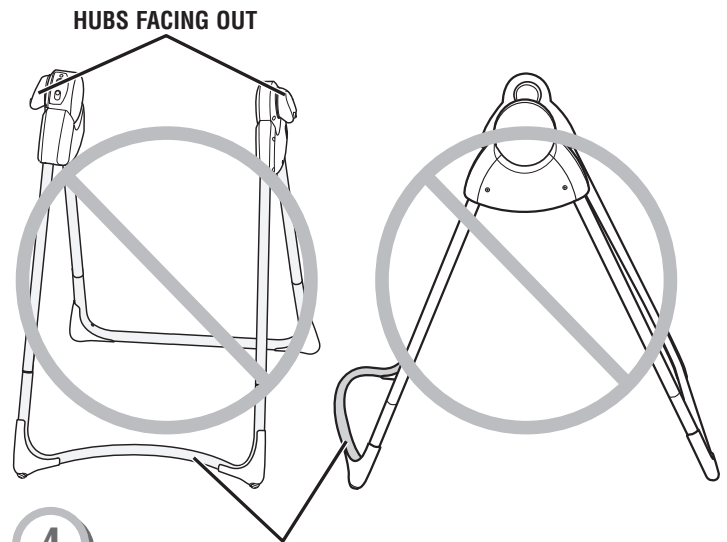
- Place the front curved base on a flat surface so that it curves away from you.
- Place the back base on a flat surface, behind the front curved base.
- Position the leg assemblies so that the hubs are facing each other.
- Fit the ends of the legs over the ends of the front and back bases, as shown.

Hint: You may need the help of another adult to help you balance the assembly.

CORRECT



INCORRECT

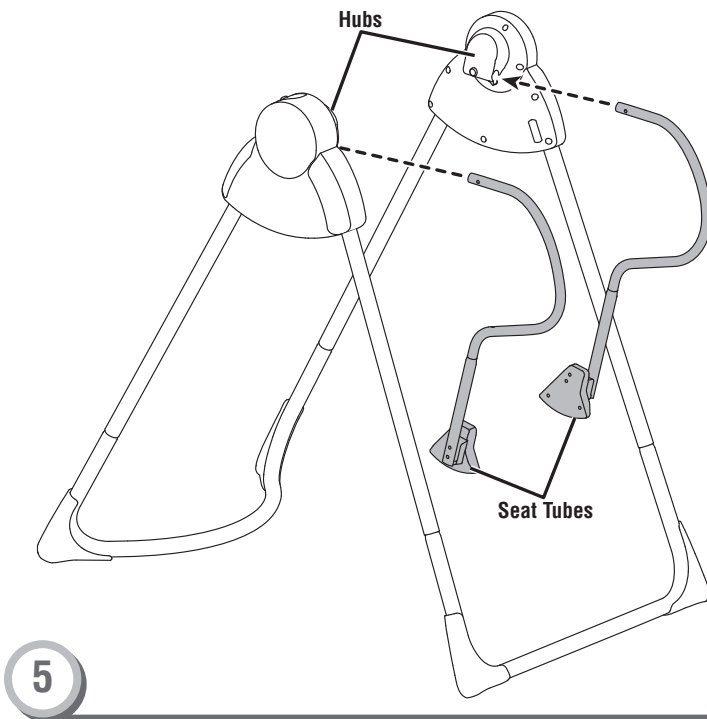


4

FRONT BASE CURVES OUT

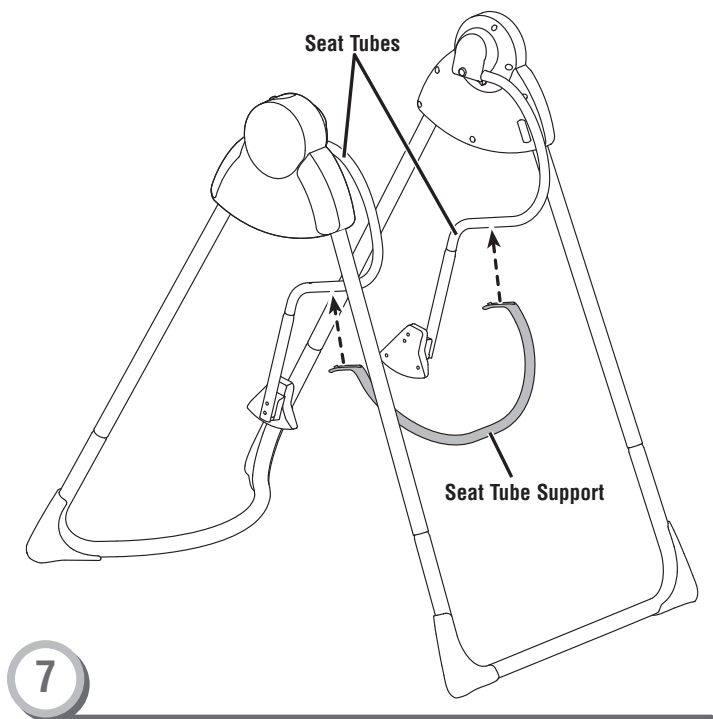
- Check to be sure you have assembled the leg assemblies to the bases correctly. Please refer to the illustrations above.
- If the leg assemblies are assembled incorrectly to the bases, pull the legs from the bases. Please re-read and repeat assembly step 3.

Swing Frame Assembly

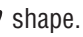


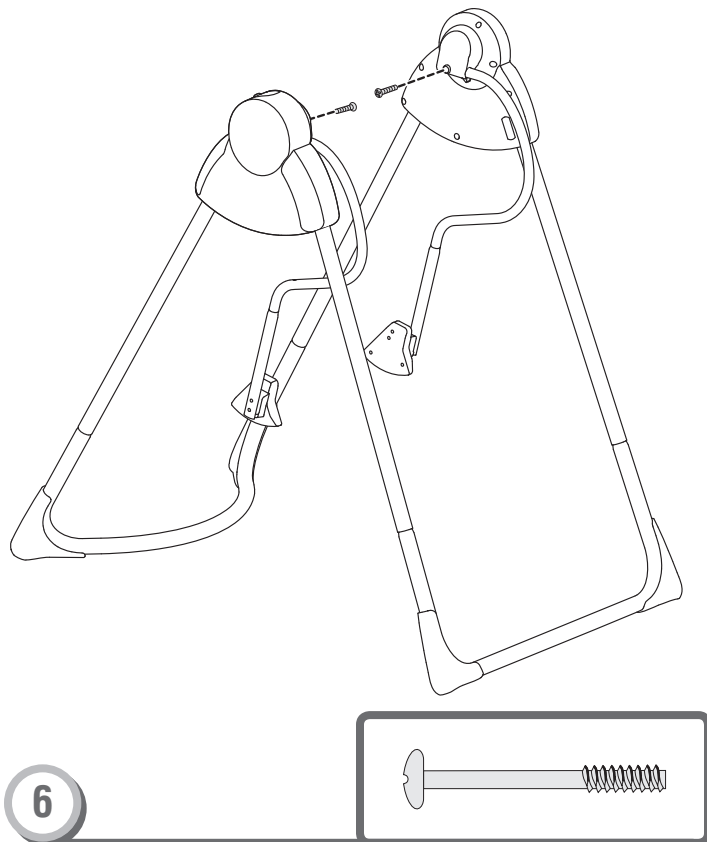
5

- Insert the ends of the seat tubes into the sockets in the hubs.
- Push the seat tubes in until you hear a “snap” (for each).



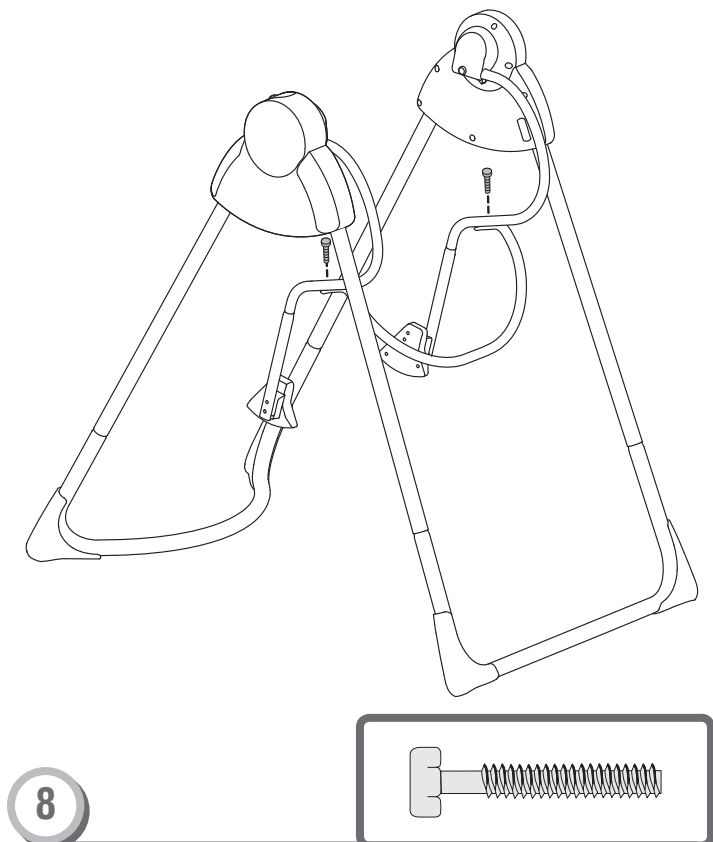
7

- Locate the holes on the bottom of the seat tubes.
- Position the seat tube support so that it is a  shape.
- Fit the seat tube support to the seat tubes. Hold the seat tube support in place and proceed to step 8.



6

- Insert a #4 x 3,18 cm screw into each hub and tighten.

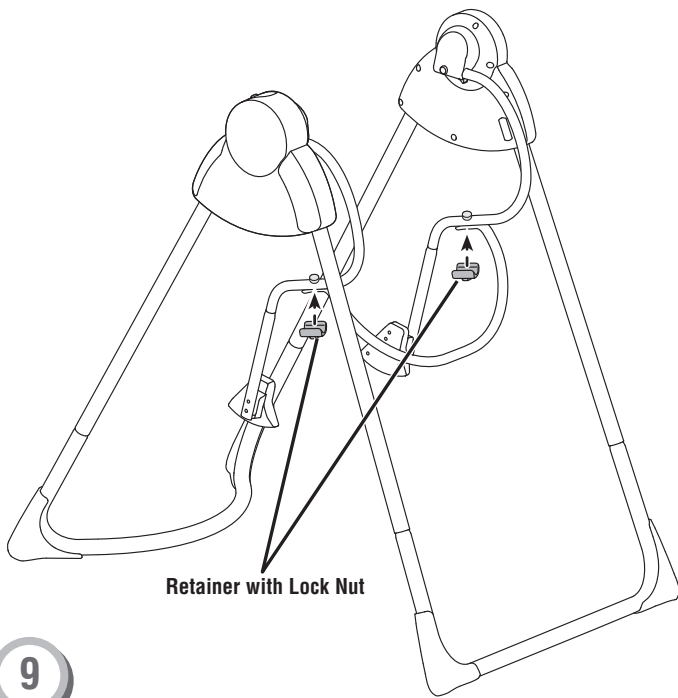


8

- Insert an M5 x 2,9 cm screw through each seat tube and the seat tube support.

IMPORTANT! Please follow the next assembly (step 9) carefully to completely secure the seat tube support to the seat tubes.

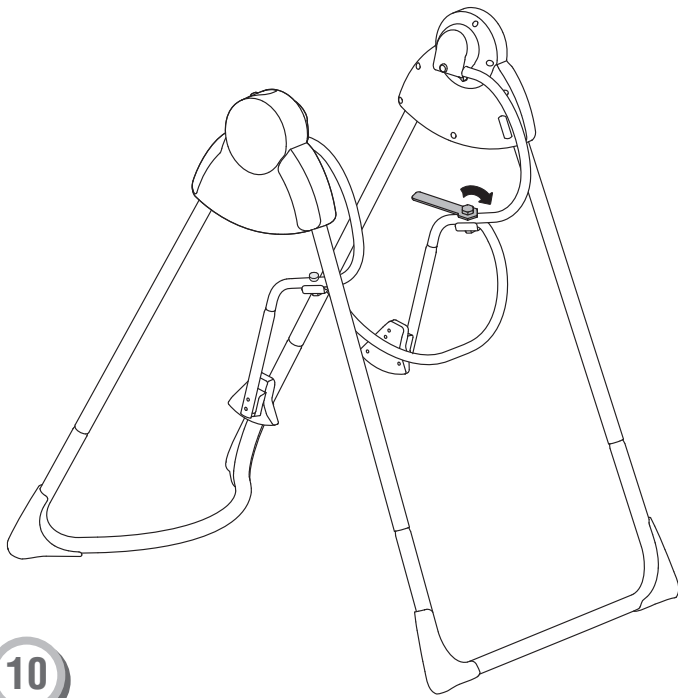
Swing Frame Assembly



9

- Fit a retainer with lock nut onto the end of the screw and to the seat tube support.

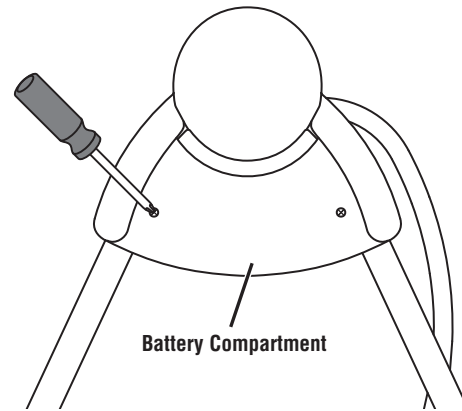
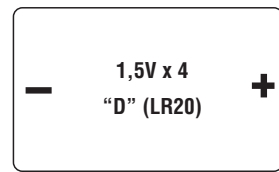
Hint: A lock nut has been factory assembled to the retainer. During shipment, the lock nut may have fallen out of the retainer. If it has, please fit it into the hexagonal hole in the retainer so that the rounded side of the lock nut faces out.



10

- Tighten the screw using the assembly tool. Turn the tool clockwise to tighten.
- Repeat this procedure to fasten the screw in the other seat tube and seat tube support, using the remaining retainer with lock nut.

Battery Installation



- Loosen the screws in the battery compartment door and remove the battery compartment door.
- Insert four “D” (LR20) **alkaline** batteries into the battery compartment.
- Replace the battery compartment door and tighten the screws.

Hint: We recommend using **alkaline** batteries for longer battery life.

- If this product begins to operate erratically, you may need to reset the electronics. Slide the power switch off and then back on.

Battery Safety Information

In exceptional circumstances, batteries may leak fluids that can cause a chemical burn injury or ruin your product. To avoid battery leakage:

- Do not mix old and new batteries or batteries of different types: alkaline, standard (carbon-zinc) or rechargeable (nickel-cadmium).
- Insert batteries as indicated inside the battery compartment.
- Remove batteries during long periods of non-use. Always remove exhausted batteries from the product. Dispose of batteries safely. Do not dispose of product in a fire. The batteries inside may explode or leak.
- Never short-circuit the battery terminals.
- Use only batteries of the same or equivalent type as recommended.
- Do not charge non-rechargeable batteries.
- Remove rechargeable batteries from the product before charging.
- If removeable, rechargeable batteries are used, they are only to be charged under adult supervision.



- Protect the environment by not disposing of this product with household waste (2002/96/EC). Check your local authority for recycling advice and facilities (Europe only).

Setup and Use



WARNING

To prevent injury or death from falls or being strangled in the restraint system

- Never leave child unattended.

When used as a Swing:

- Always use the restraint system.
- Never use with an active child who may be able to climb out of the product.

When used as an Infant Seat or Rocker:

- **Fall Hazard** - It is dangerous to use this product on an elevated surface. Use only on a floor.
- **Suffocation Hazard** - Never use on a soft surface (bed, sofa, cushion) since the product can tip over and cause suffocation in soft surfaces.
- Always use the restraint until child is able to climb in and out of the product unassisted.
- Never use as a carrier. Never use the toy bar as a handle.
- Infant seat and swing modes not recommended for children who can sit up by themselves (6 months approximately, until 9 kg/20 lbs).
- Use the Rocker position only when child has developed enough upper body control to sit without leaning forward.

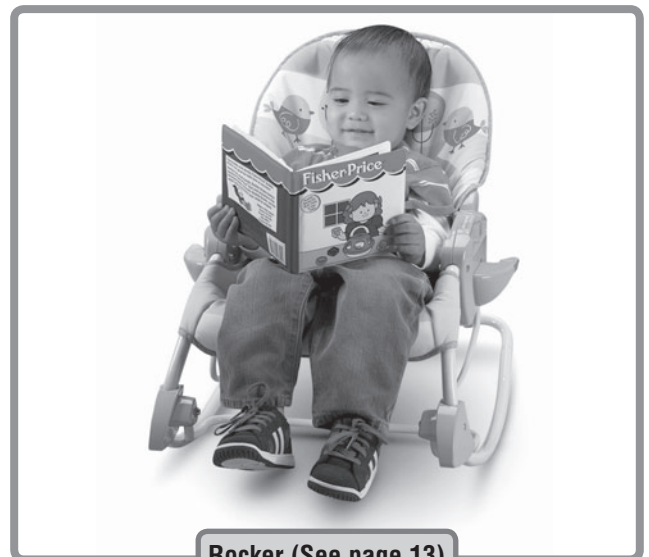
IMPORTANT! Before each use, inspect this product for damaged hardware, loose joints, missing parts or sharp edges. DO NOT use if any parts are missing or broken. Contact Fisher-Price® for replacement parts and instructions if needed. Never substitute parts.



Swing (See page 11)

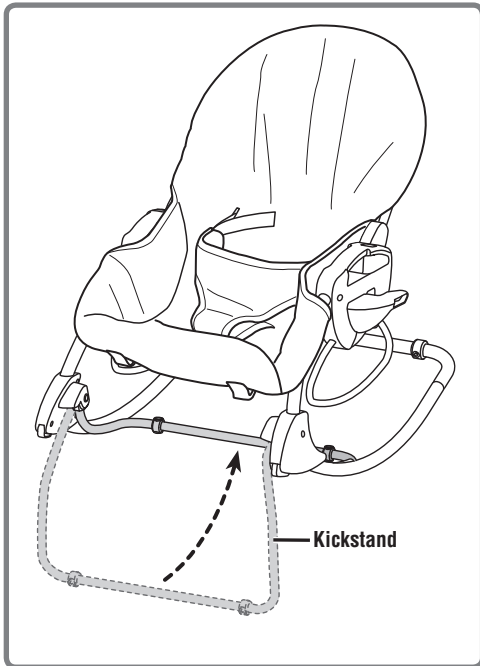
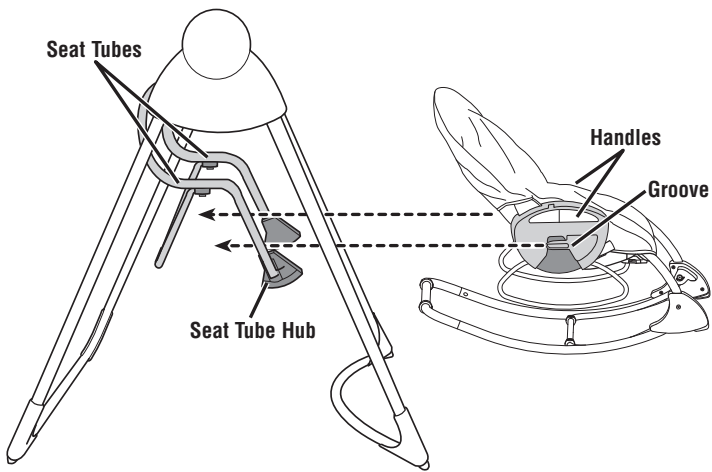


Infant Seat (See page 13)



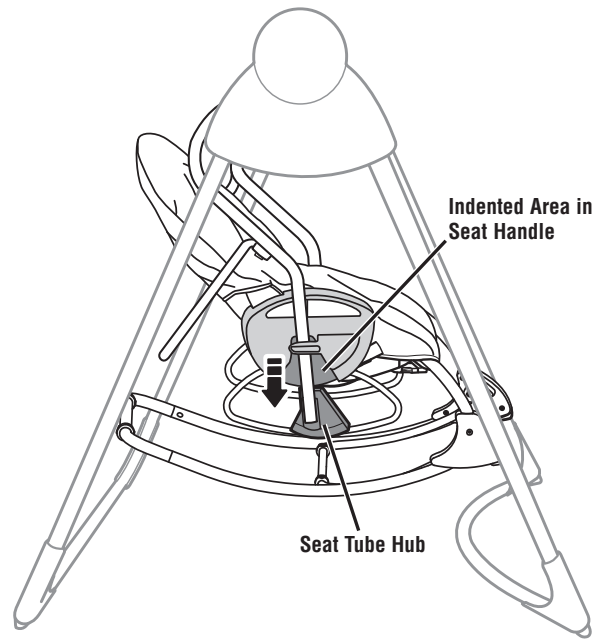
Rocker (See page 13)

Swing



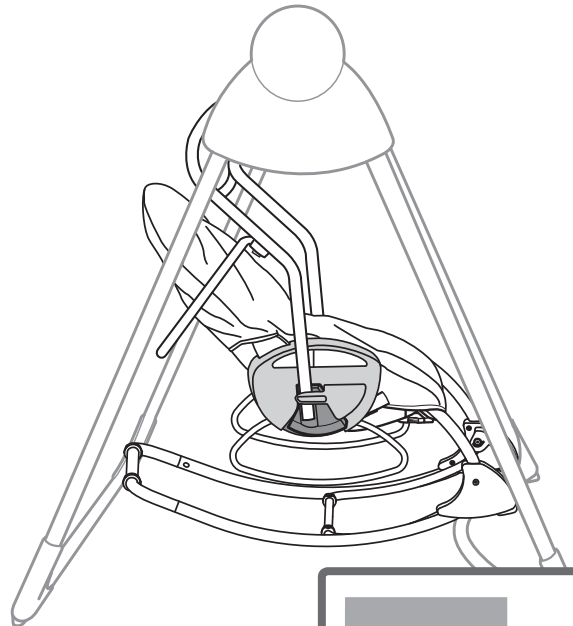
1

- Rotate the kickstand up.
- Push down on the seat bottom to be sure the kickstand is in position.
- Grasp the handles on the seat.
- Slide the seat **between** the seat tubes.
- Fit the groove in each handle to the seat tubes.



2

- Now, lower the seat down onto the red seat tube hubs.
- **Hint:** The seat tube hubs should fit into the red, indented area on the seat handles.
- Push the seat down to be sure it is secure.

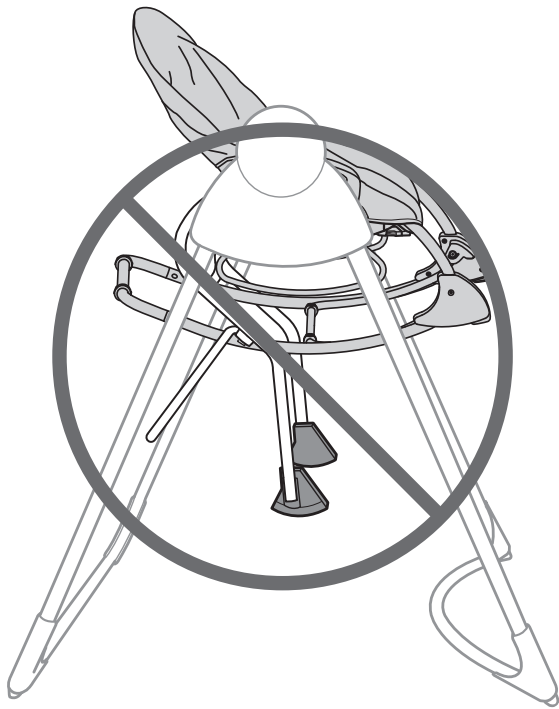


3

- Check to be sure the seat is secure on the seat tube hubs.
- Make sure you see the green indicator on the seat tubes.
- If you can see red on the seat tube indicator, the seat is not secure on the hubs. Please remove the seat. Re-read and repeat steps 1 and 2.

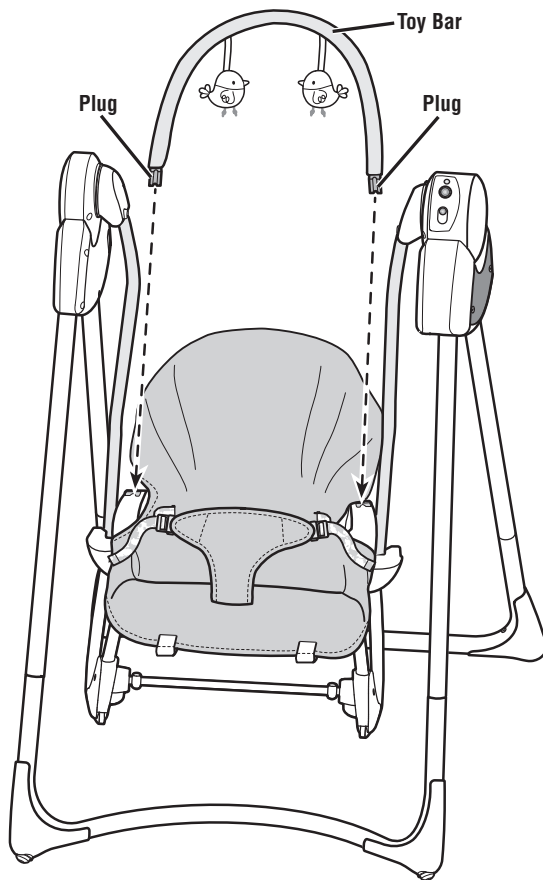
Swing

4

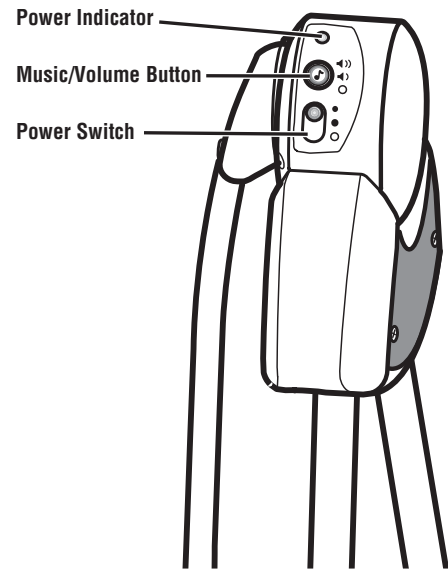


IMPORTANT! Do not place the seat on top of the seat tube support! The seat is not secure. Please remove the seat. Re-read and repeat steps 1 - 3.

5



- Fit the plugs on each end of the toy bar into the sockets in each side rail.



6

Power Switch

- Make sure your child is properly secured in the seat.
- Slide the swing power switch on to either of two speed settings. The power indicator lights.
- To start swinging motion, give the seat a light push.
- Be sure to turn this product off when not in use. Slide the power switch OFF.

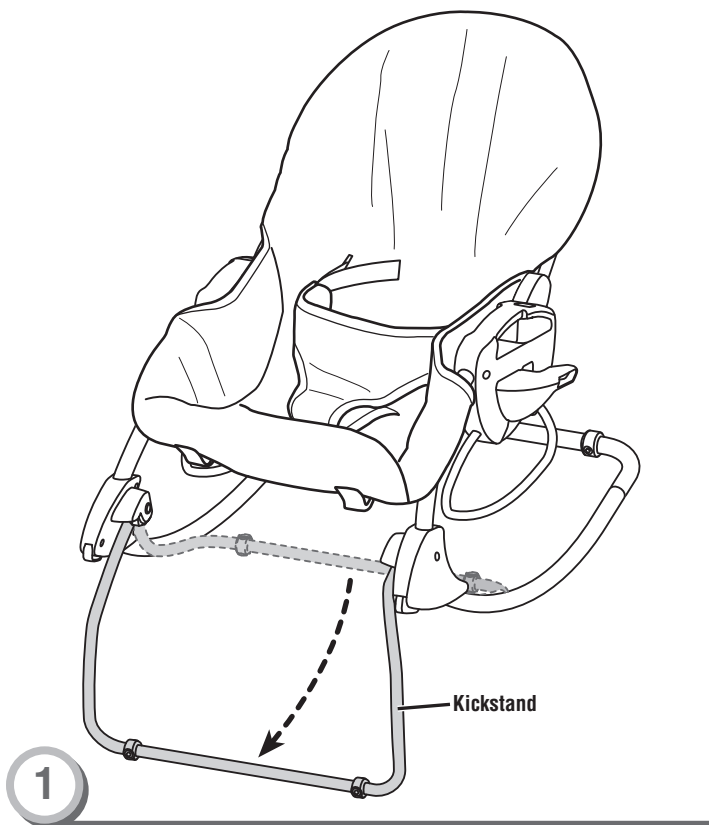
Hints

- As with most battery-powered swings, a heavier child will reduce the amount of swinging motion on all settings. In most cases, the low setting works best for a smaller child while the high setting works best for a larger child.
- Low battery power may cause product movement to slow or turn off all together. If this should happen, please remove and discard all four batteries and replace with four, new "D" (LR20) **alkaline** batteries.

Music/Volume Button

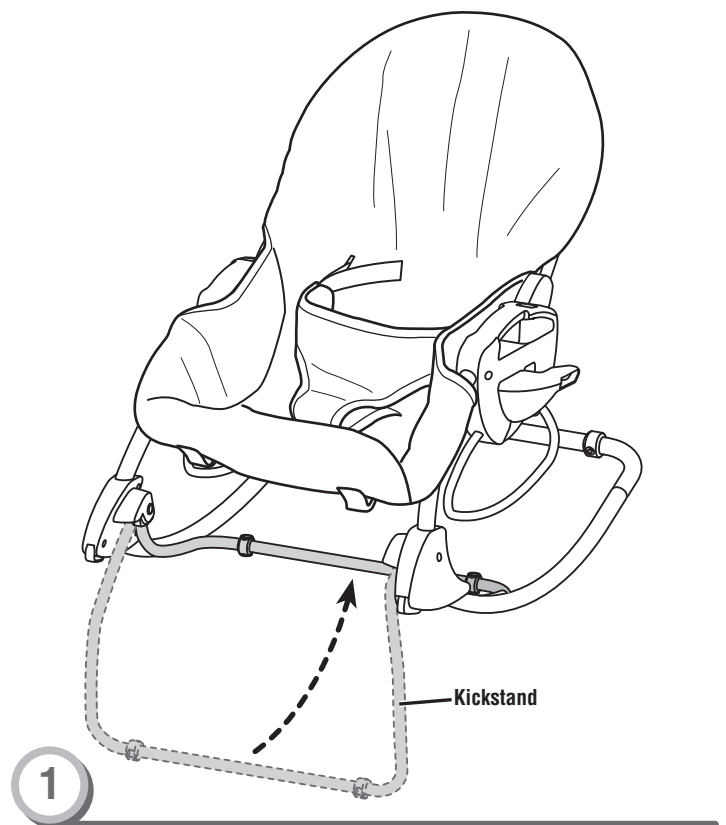
- Push the music/volume button once for **low volume** ◀); press again for **high volume** ▶); press again to turn sounds **off** ○.

Infant Seat

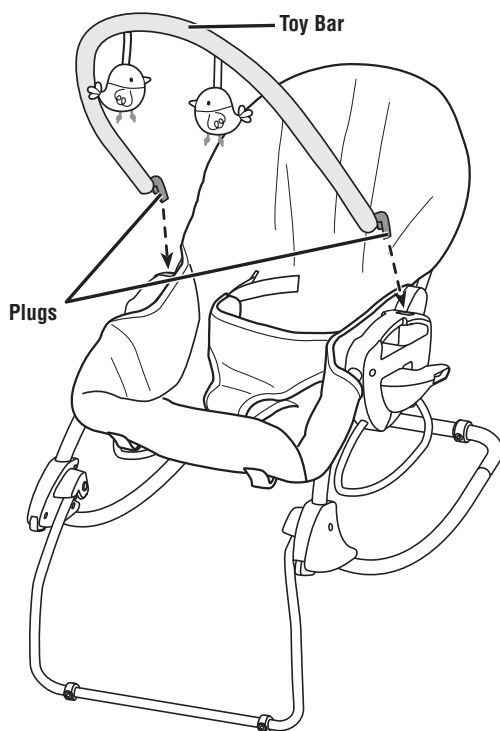


- Rotate the kickstand out.
- Push down on the seat bottom to be sure the kickstand is in position.

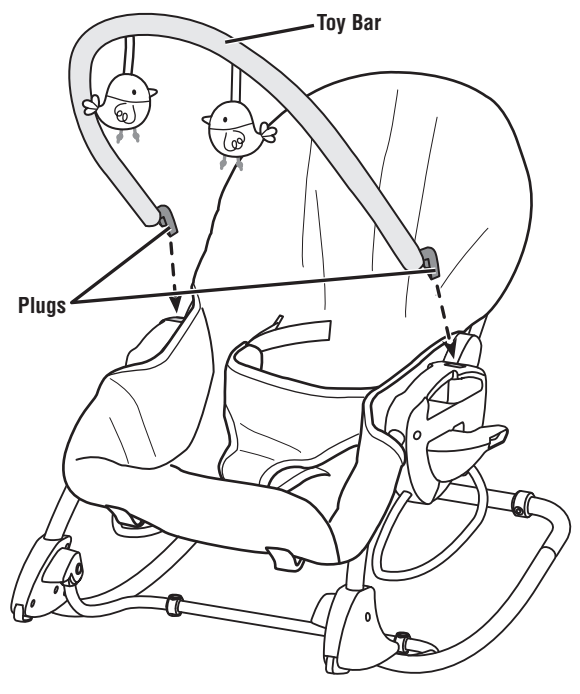
Rocker



- Rotate the kickstand up.
- Push down on the seat bottom to be sure the kickstand is in position.



- Fit the plugs on each end of the toy bar into the sockets in each side rail.

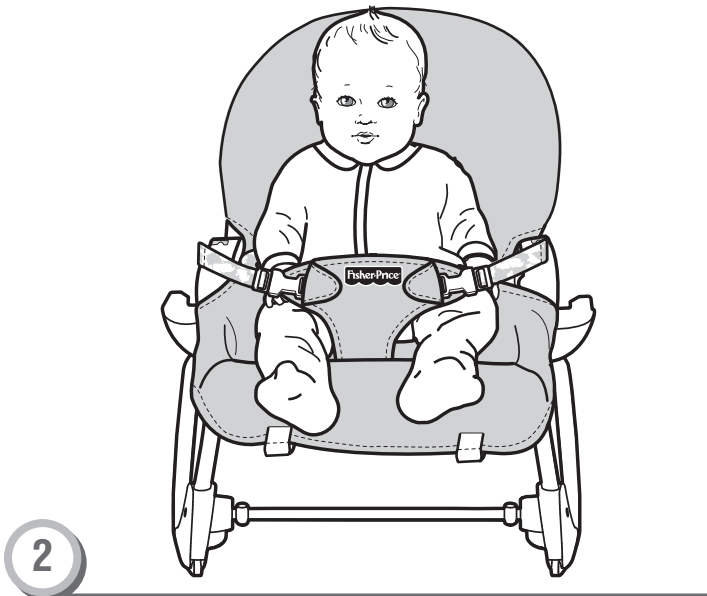


- Fit the plugs on each end of the toy bar into the sockets in each side rail.

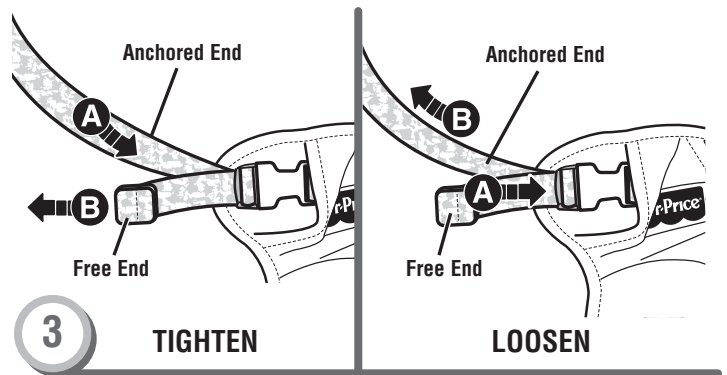
Securing Your Child



- Place your child in the seat. Position the restraint pad between your child's legs.
- Fasten the restraint straps to the restraint pad. **Make sure you hear a "click" on both sides.**
- Check to be sure the restraint system is securely attached by pulling it away from your child. The restraint system should remain attached.



- Tighten each waist belt so that the restraint system is snug against your child. Please refer to the next section for instruction to tighten the waist belt.



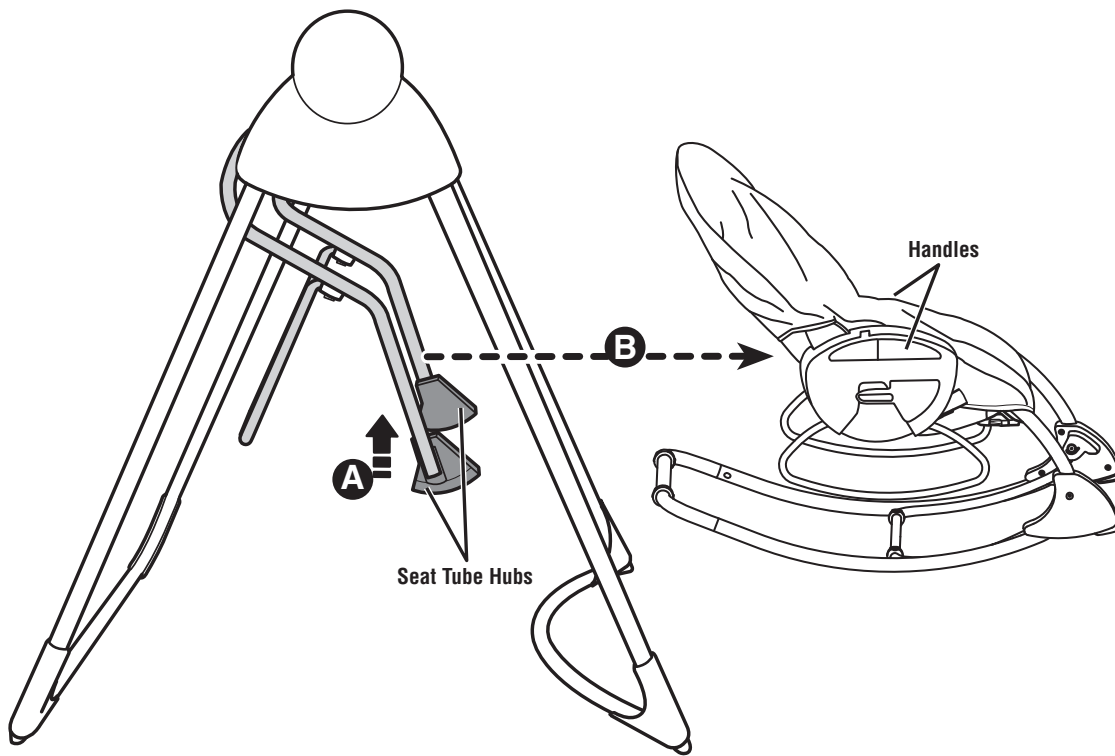
To tighten the restraint straps:

- Feed the anchored end of the restraint strap up through the buckle to form a loop **A**. Pull the free end of the restraint strap **B**.

To loosen the restraint straps:

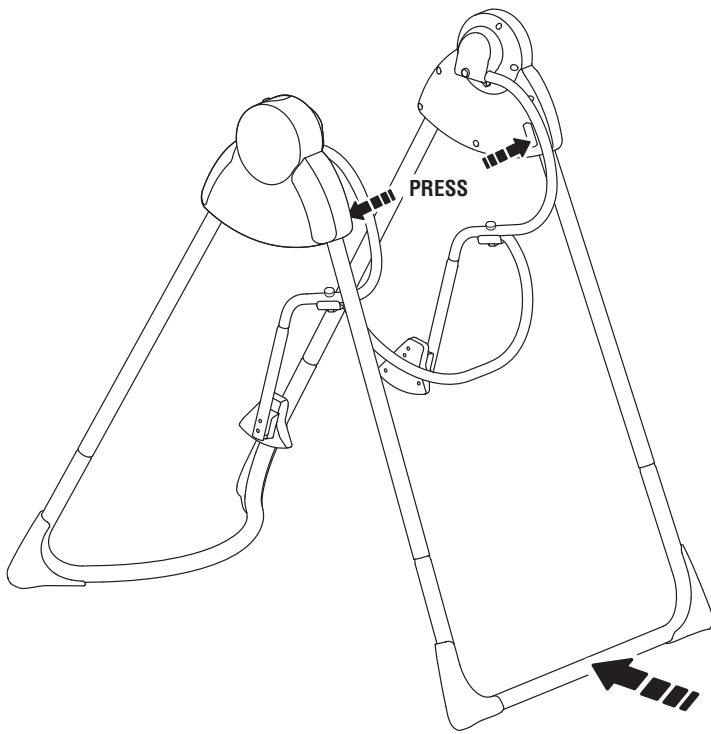
- Feed the free end of the restraint strap up through the buckle to form a loop **A**. Enlarge the loop by pulling on the end of the loop toward the buckle. Pull the anchored end of the restraint strap belt to shorten the free end of the restraint strap **B**.

Removing the Seat from the Swing



- Grasp handles on the seat.
- Lift the seat from the seat tube hubs **A**.
- Pull the seat forward **B**.

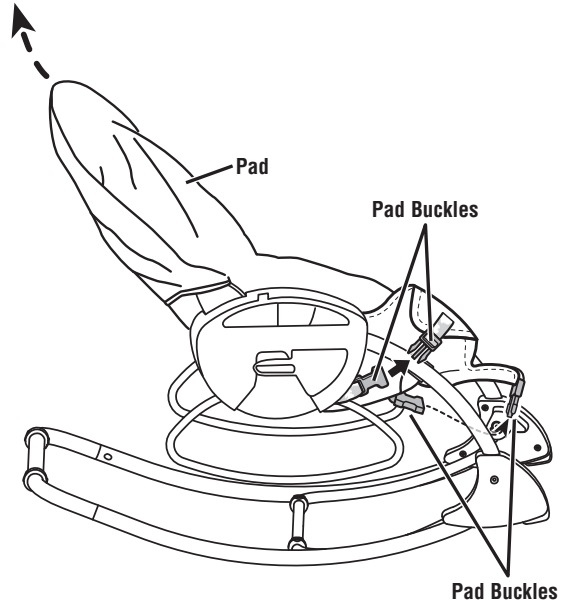
Storage



- Press the button on each housing and push the rear legs toward the front legs. Stand the frame against a wall for storage.

Care

- The pad is machine washable. Wash it separately in cold water on the gentle cycle. Do not use bleach. Tumble dry separately on low heat and remove promptly.
- The frames and toy bar can be wiped clean using a mild cleaning solution and a damp cloth. Do not use bleach. Do not use harsh or abrasive cleaners. Rinse clean with water to remove residue.



To remove the pad:

- Unfasten the buckles around the front and side rails.
- Remove the hardboard from the slot in the front edge of the pad.
- Push the waist belts back through the pad.
- Pull the front and back of the seat back area of the pad apart.
- Lift the pad off the seat.

To replace the pad, refer to Assembly steps 7 - 10.

Free Manuals Download Website

<http://myh66.com>

<http://usermanuals.us>

<http://www.somanuals.com>

<http://www.4manuals.cc>

<http://www.manual-lib.com>

<http://www.404manual.com>

<http://www.luxmanual.com>

<http://aubethermostatmanual.com>

Golf course search by state

<http://golfingnear.com>

Email search by domain

<http://emailbydomain.com>

Auto manuals search

<http://auto.somanuals.com>

TV manuals search

<http://tv.somanuals.com>