



WARNING

IMPORTANT! KEEP INSTRUCTIONS FOR FUTURE REFERENCE.

Consumer Information



WARNING

To prevent serious injury or death from falls and being strangled in the restraint system:

- Always use the restraint system.
- Not recommended for children who can sit up by themselves (6 months approximately, until 9 Kg/20 lbs).
- Never leave child unattended.
- It is dangerous to use this product on an elevated surface.
- Never use toy bar as a handle.



CAUTION

This product contains small parts in its unassembled state. Adult assembly is required.

- Please read these instructions before assembly and use of this product.
- Adult assembly is required.
- Tools required for assembly: Allen wrench (included) and Phillips screwdriver (not included).
- Requires four "C" (LR14) **alkaline** batteries for swing/sounds operation and one "D" (LR20) **alkaline** battery for vibration unit operation. Batteries not included.

IMPORTANT! The weight limit for this product is 9 kg (20lbs). If your child weighs less than 9 kg (20lbs), but is really active and appears to be able to climb out of the swing, immediately discontinue its use.

- Product features and decoration may vary from the photographs.



service.fisher-price.com

Great Britain: Vanwall Business Park, Maidenhead SL6 4UB.
Helpline: 01628 500303. www.service.mattel.com/uk.

Australia: Mattel Australia Pty. Ltd., 658 Church Street,
Locked Bag #870, Richmond, Victoria 3121 Australia.
Consumer Advisory Service 1300 135 312.

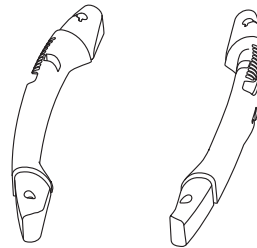
New Zealand: 16-18 William Pickering Drive, Albany 1331, Auckland.

Asia: Mattel East Asia Ltd, Room 1106, South Tower, World Finance Centre, Harbour City, Tsimshatsui, HK, China.

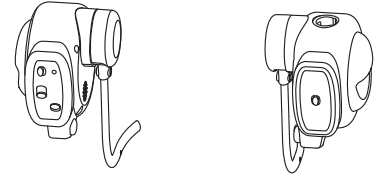
Malaysia: Diimport & Diedarkan Oleh: Mattel SEA Ptd Ltd.
(993532-P) Lot 13.5, 13th Floor, Menara Lien Hoe, Persiaran Tropicana Golf Country Resort, 47410 PJ. Tel: +603-3341 9052.
Mattel Europa, B.V., Gondel 1, 1186 MJ Amstelveen, Nederland.

Assembled Parts

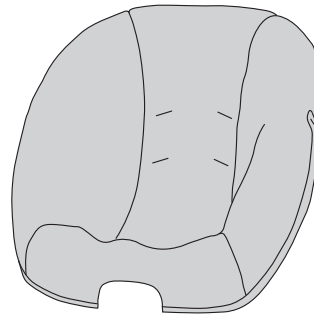
IMPORTANT! Please remove all parts from the package and identify them before assembly. Some parts may be packed in the pad.



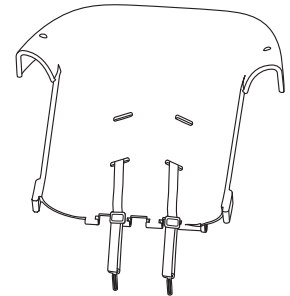
2 Side Rails



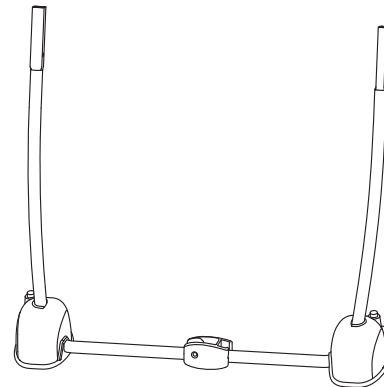
2 Swing Housings



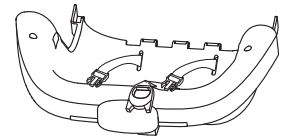
Seat Pad



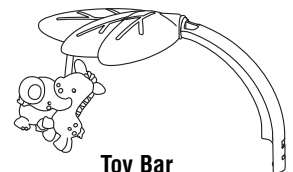
Seat Back



Frame



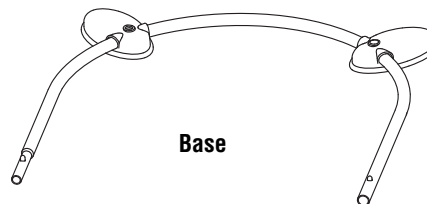
Seat Bottom



Toy Bar



Hinge Rod

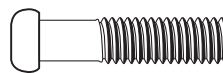


Base



Allen Wrench

Note: Tighten all assembled screws with the enclosed Allen wrench.



M6 x 25 mm Screw – 2

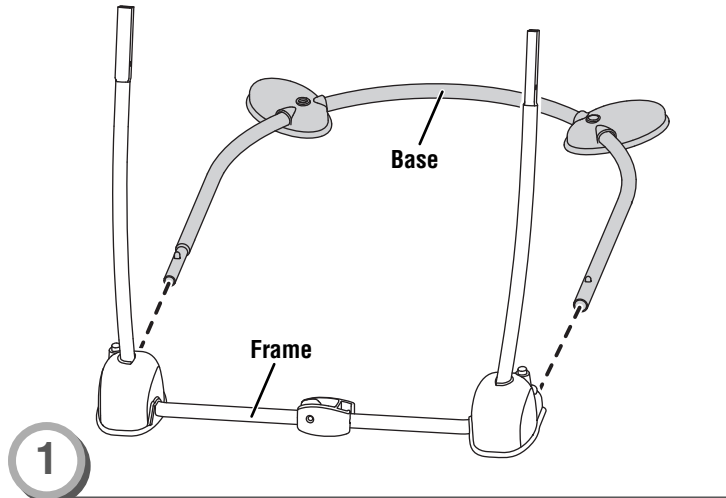


#8 x 2,5 cm Screw – 7

Both Shown Actual Size

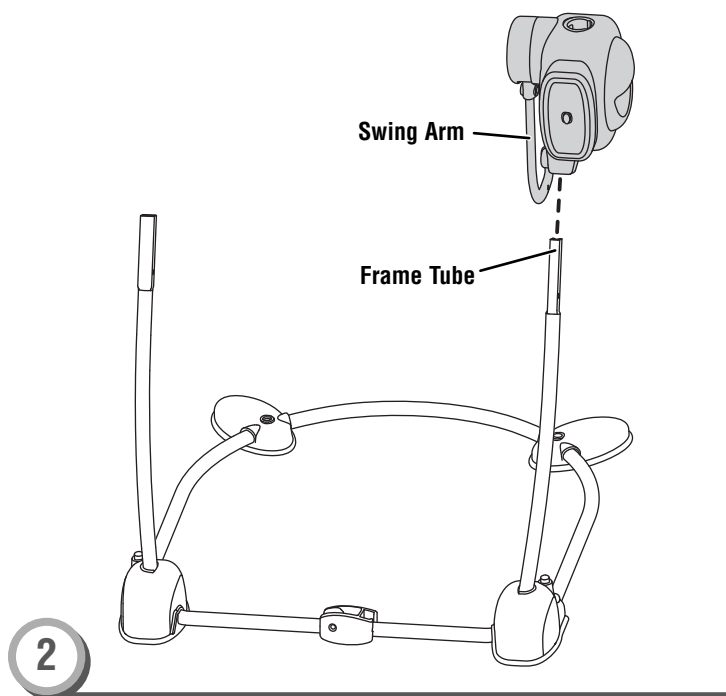
Assembly

IMPORTANT! Before assembly and each use, inspect this product for damaged hardware, loose joints, missing parts or sharp edges. DO NOT use if any parts are missing or broken. Contact Fisher-Price® for replacement parts and instructions if needed. Never substitute parts.



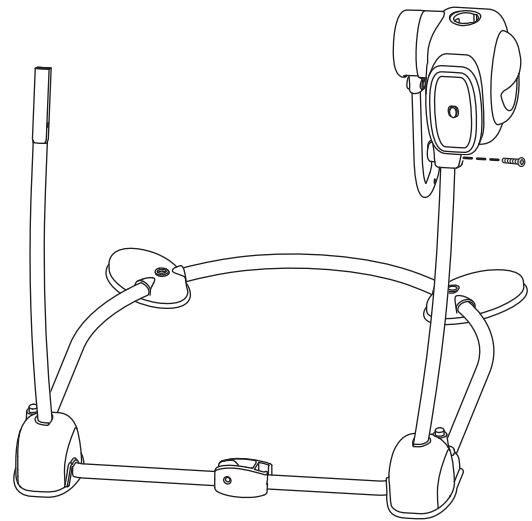
- Insert and “snap” the base into the sockets in each side of the frame, as shown.

Hint: The base is designed to fit one way. If it does not seem to fit, turn it around and try again.

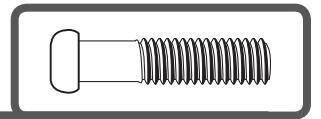


- Position one of the swing housings so that the swing arm is facing the inside of the assembly.
- Fit the swing housing onto the frame tube.

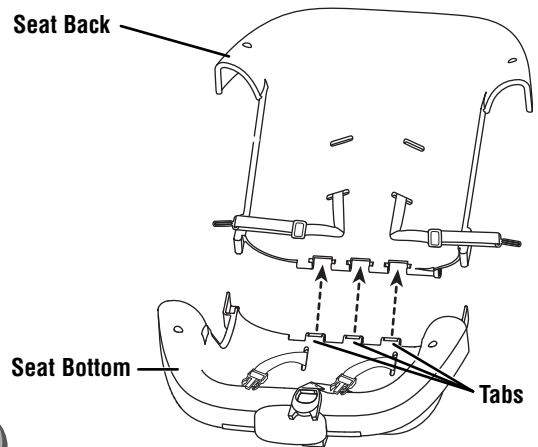
Hint: The swing housing is designed to fit one way. If it does not seem to fit, try assembling it to the other frame tube.



3



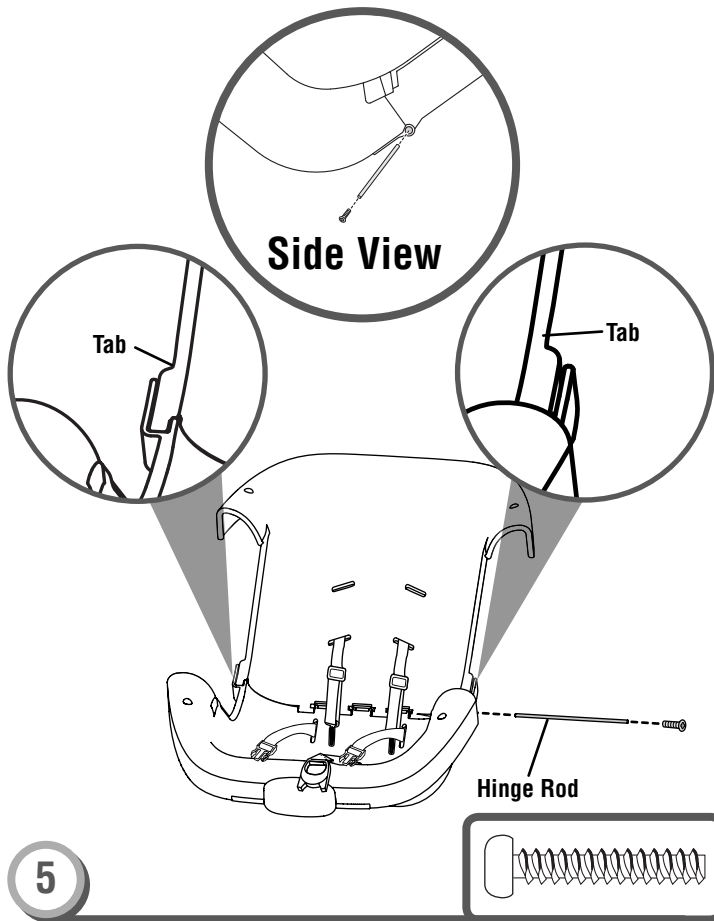
- Insert an M6 x 25 mm screw into the hole in the swing housing. Fully tighten the screw with the Allen wrench.
- Repeat this procedure to assemble the remaining swing housing to the other frame tube.



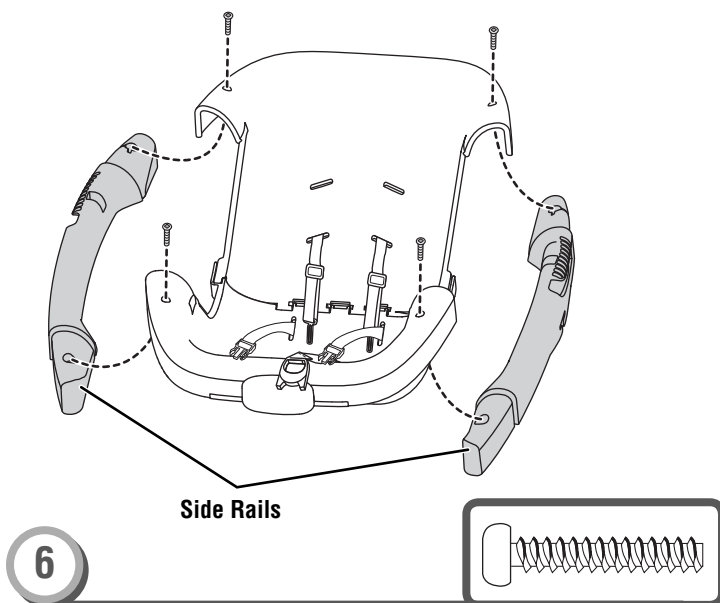
4

- Fit the tabs on the seat bottom into the slots in the seat back.

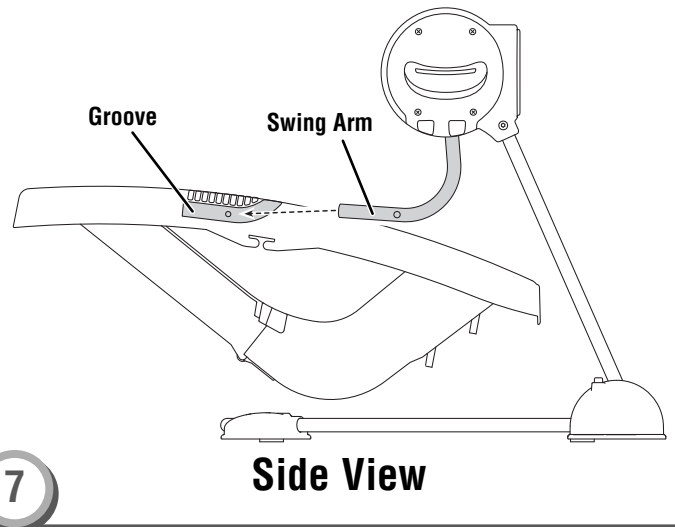
Assembly



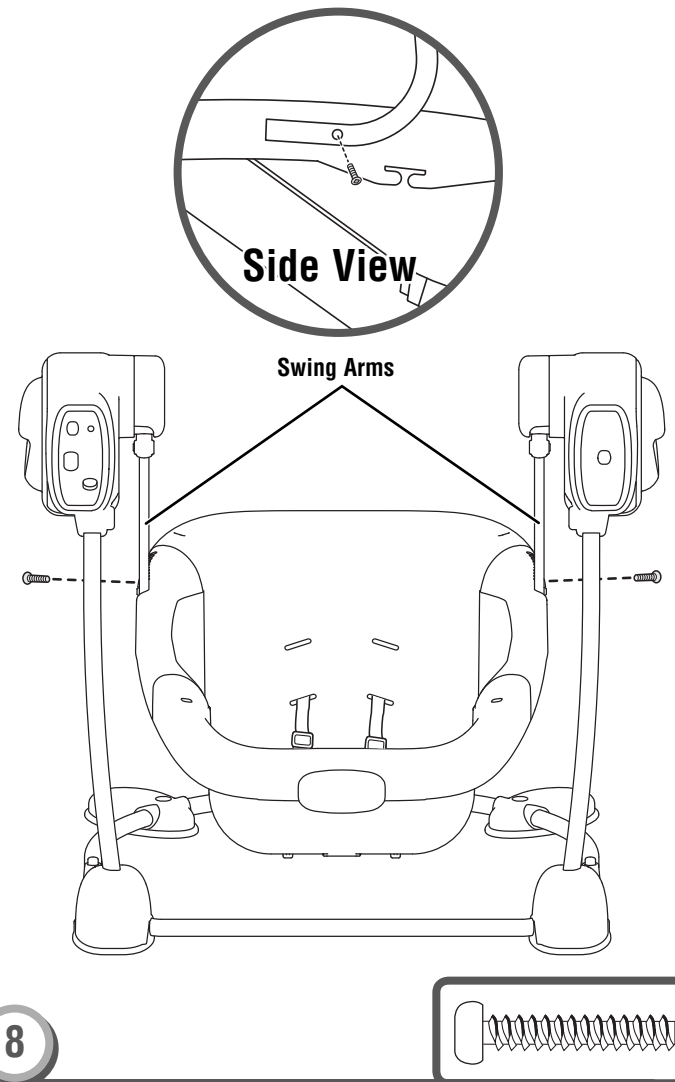
- Make sure the tab on each side of the seat back is fitted inside the socket on each side of the seat bottom.
- Insert the hinge rod through the hinge on the seat assembly.
- Insert a #8 x 2,5 cm screw into the end of the hinge rod. Tighten the screw with the Allen wrench.



- Fit the side rails under the grooved areas under the seat, as shown.
- Insert four #8 x 2,5 cm screws into the holes in the seat.
- Tighten the screws with the Allen wrench.

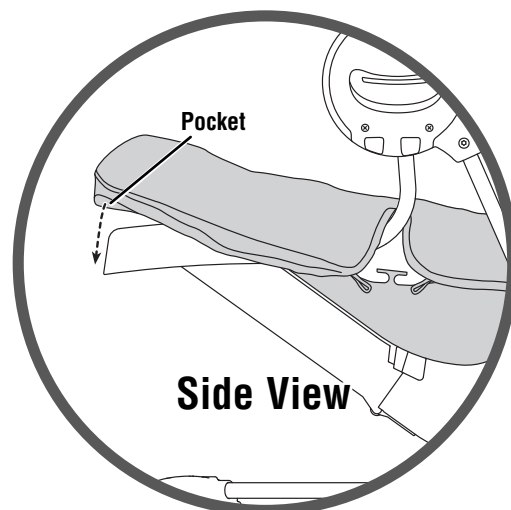
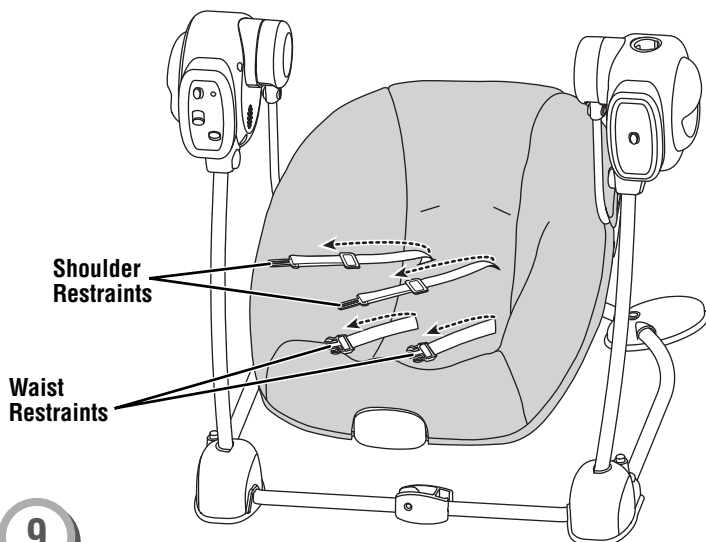


- Fit the end of each swing arm into the grooves in the seat.



- Insert a #8 x 2,5 cm screw into each swing arm. Tighten the screws with the Allen wrench.
- IMPORTANT!** Push down on the seat assembly to be sure it's secure to the swing arms.

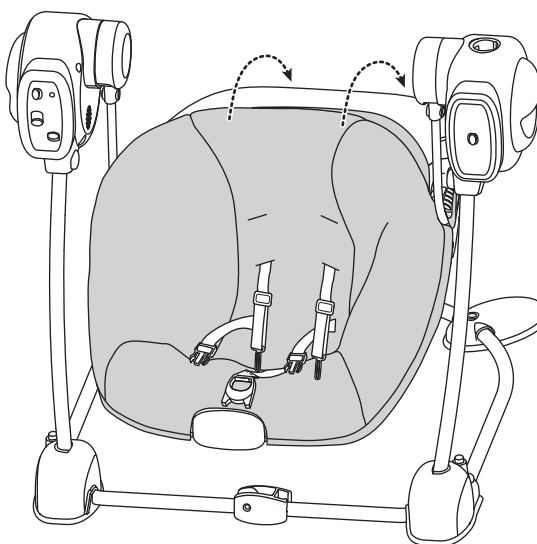
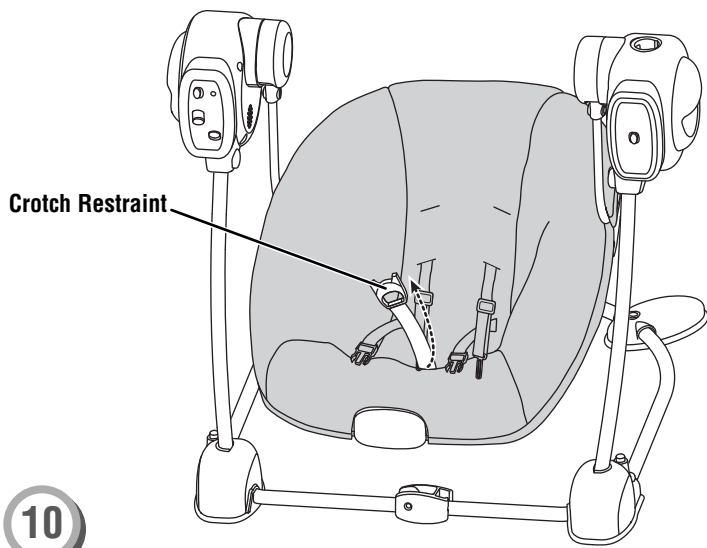
Assembly



9

- Insert the shoulder and waist restraint belts through the slots in the seat pad.

Hint: The shoulder belts come assembled to the seat back in the lower slots for a smaller child. To change to the upper slots for a larger child, refer to page 10.



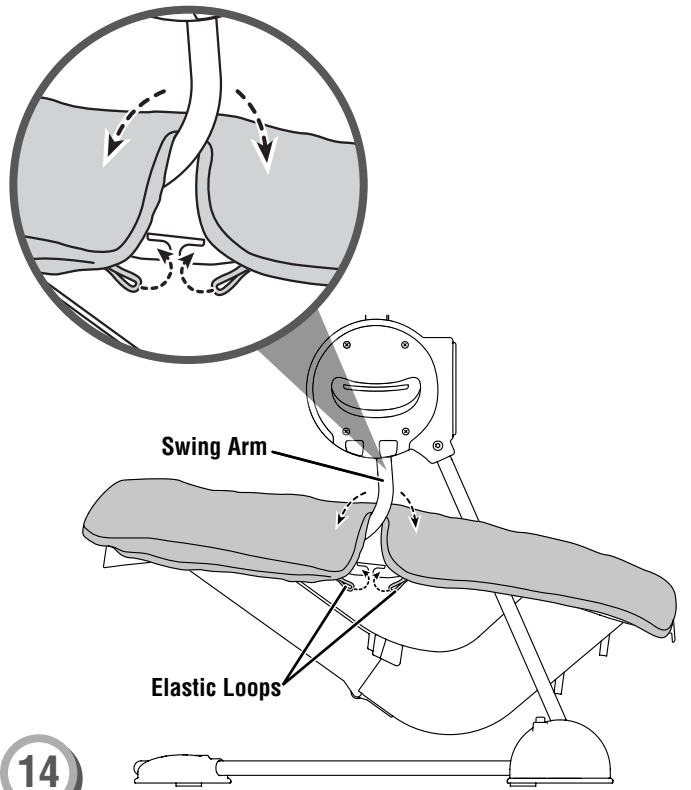
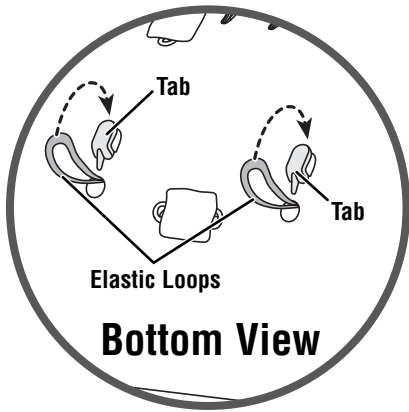
11

- Fit the pocket on the back of the seat pad onto the seat back.

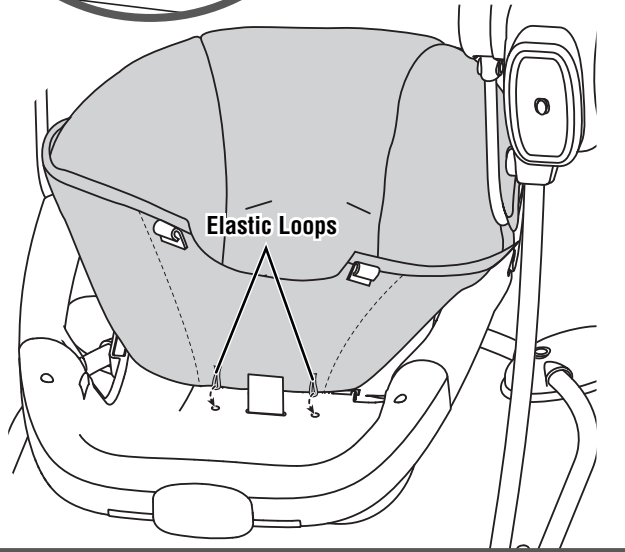
10

- Insert the crotch restraint belt up through the slot in the seat pad.
- Insertar el cinturón de la entrepierna en la ranura de la almohadilla.
- Faire passer la courroie d'entrejambe dans la fente du coussin.

Assembly



12

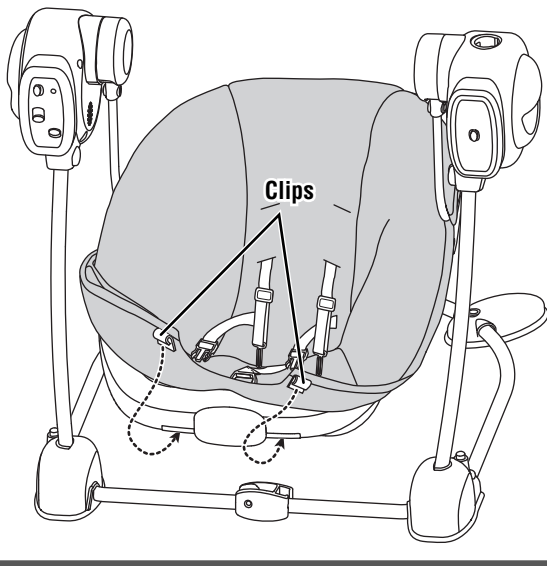


- Lift the front edge of the seat pad and insert both elastic loops on the seat pad through the holes in the seat bottom.
- From the bottom of the seat, hook the elastic loops to the tabs on the seat.

14

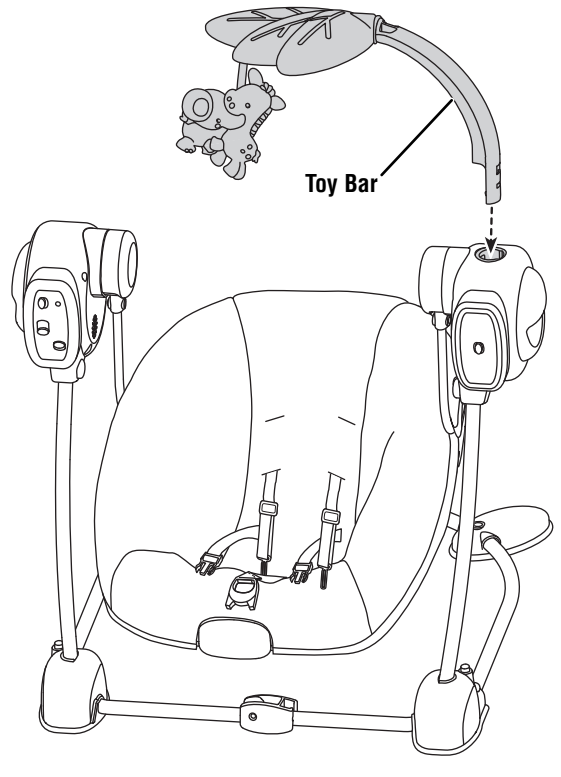
- Fit the notch in the seat pad around each swing arm.
- Hook the seat pad elastic loops to the tabs on the seat.

13



- Fit the clips on the front edge of the seat pad to the front edge of the seat bottom.

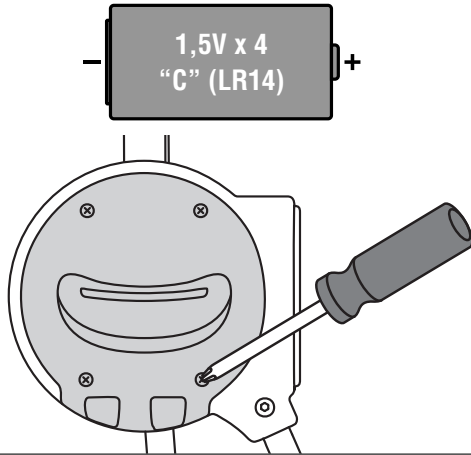
15



- Insert the end of the toy bar into the socket in the swing housing.
Hint: The toy bar only fits one way. If it does not seem to fit, turn it around and try again.

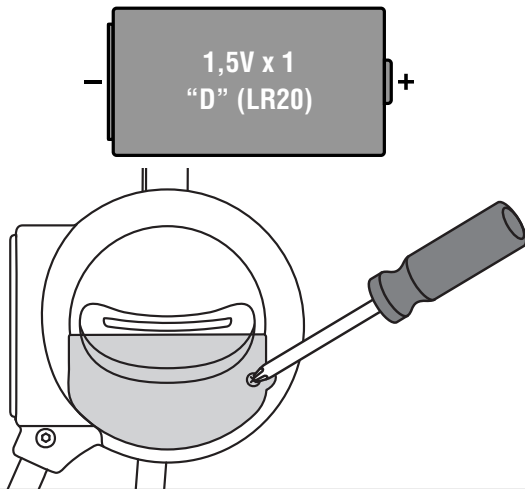
Battery Installation

*Hint: We recommend using **alkaline** batteries for longer battery life.*



Swing/Sounds Battery Installation

- Locate the swing/sounds battery compartment on a swing housing.
- Loosen the screws in the battery compartment door with a Phillips screwdriver. Remove the battery compartment door.
- Insert four "C" (LR14) **alkaline** batteries into the battery compartment.
- Replace the battery compartment door and tighten the screws with a Phillips screwdriver.



Vibration Battery Installation

- Locate the vibration battery compartment on a swing housing.
- Loosen the screw in the battery compartment door with a Phillips screwdriver. Remove the battery compartment door.
- Insert one "D" (LR20) **alkaline** battery into the battery compartment.
- Replace the battery compartment door and tighten the screw with a Phillips screwdriver.
- If this product begins to operate erratically, you may need to reset the electronics. Turn the power off and then back on.
- When motion or sounds from the product become slow/faint or stop, replace the batteries.



- Protect the environment by not disposing of this product with household waste (2002/96/EC). Check your local authority for recycling advice and facilities (Europe only).

Battery Safety Information

In exceptional circumstances, batteries may leak fluids that can cause a chemical burn injury or ruin your product. To avoid battery leakage:

- Do not mix old and new batteries or batteries of different types: alkaline, standard (carbon-zinc) or rechargeable (nickel-cadmium).
- Insert batteries as indicated inside the battery compartment.
- Remove batteries during long periods of non-use. Always remove exhausted batteries from the product. Dispose of batteries safely. Do not dispose of product in a fire. The batteries inside may explode or leak.
- Never short-circuit the battery terminals.
- Use only batteries of the same or equivalent type as recommended.
- Do not charge non-rechargeable batteries.
- Remove rechargeable batteries from the product before charging.
- If removable, rechargeable batteries are used, they are only to be charged under adult supervision.

Securing Your Child



WARNING

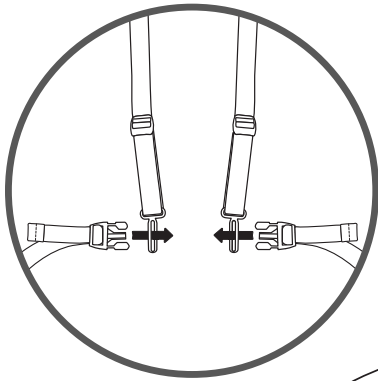
To prevent serious injury or death from falls and being strangled in the restraint system:

- Always use the restraint system.
- Not recommended for children who can sit up by themselves (6 months approximately, until 9 Kg/20 lbs).
- Never leave child unattended.
- It is dangerous to use this product on an elevated surface.
- Never use toy bar as a handle.



2

- Tighten each waist belt and shoulder belt so that the restraint system is snug against your child. Please refer to the next section for instructions to tighten these belts.



Waist/Shoulder Belts

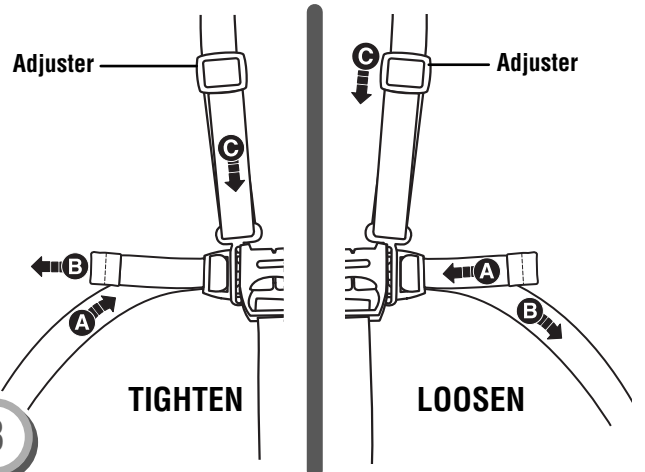
Crotch Belt



1

Restraint System

- Place your child in the seat.
- Insert the ends of the waist belts through the slots in the shoulder belts.
- Pull the crotch belt up between your child's legs and fasten both waist/shoulder belts to the crotch belt. Make sure you hear a "click" on both sides.

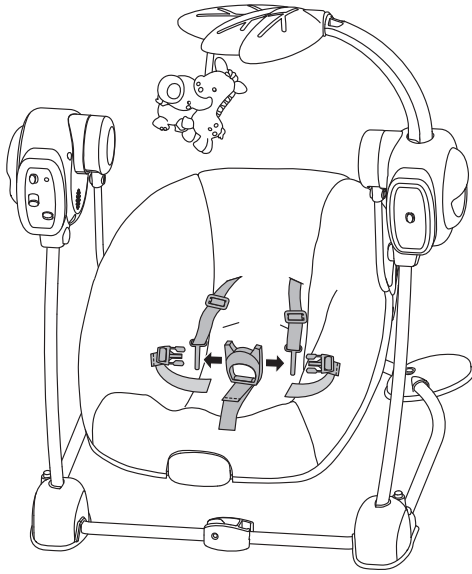


3

- **To tighten the waist belts:** Feed the anchored end of the waist belt up through the buckle to form a loop **A**. Pull the free end of the waist belt **B**.
 - **To tighten the shoulder belts:** Hold the adjuster and pull the shoulder belt down **C**.
 - **To loosen the waist belts:** Feed the free end of the waist belt up through the buckle to form a loop **A**. Enlarge the loop by pulling on the end of the loop toward the buckle.
 - Pull the anchored end of the waist belt to shorten the free end of the waist belt **B**.
 - **To loosen the shoulder belts:** Pull the adjuster down **C**.
- Note:** After adjusting the restraint system to fit your child, make sure you pull on it to be sure it is securely fastened.

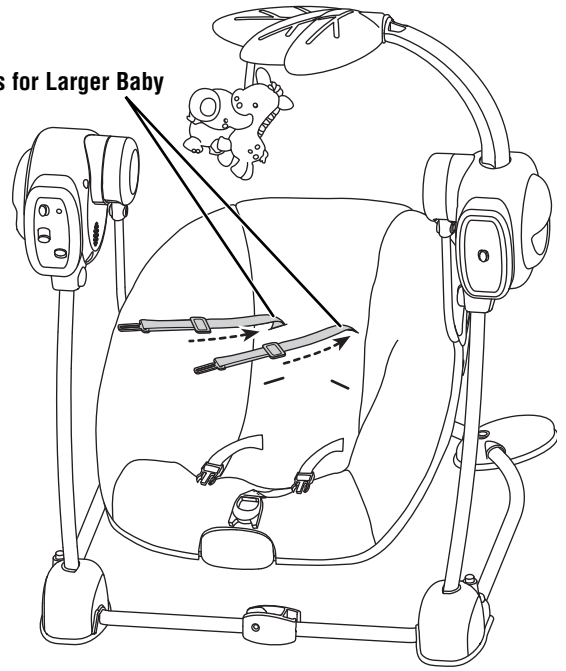
Securing Your Child

4



- To adjust the restraint height for baby, unbuckle the restraint system.

Upper Slots for Larger Baby



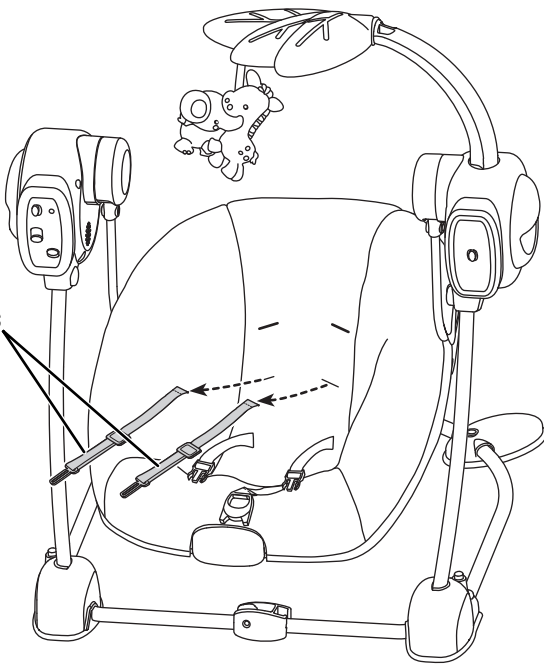
6

Larger Baby

- Insert the ends of the shoulder belts through the upper slots in the pad.

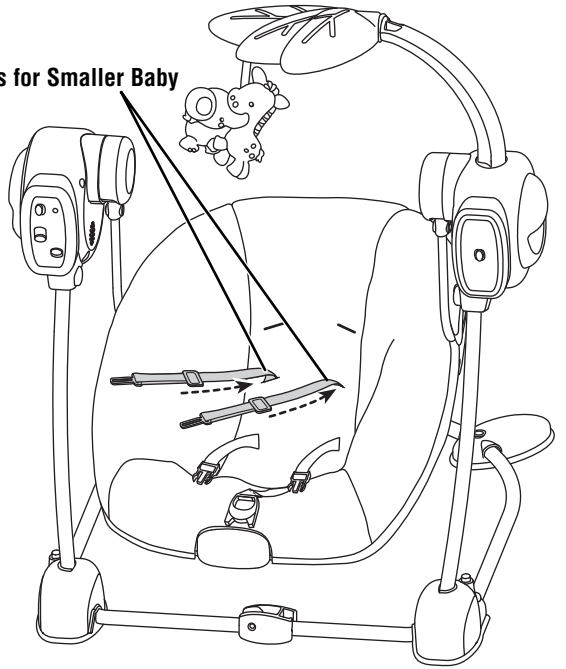
Shoulder Belts

5



- Push to remove the shoulder belts from the seat back.

Lower Slots for Smaller Baby

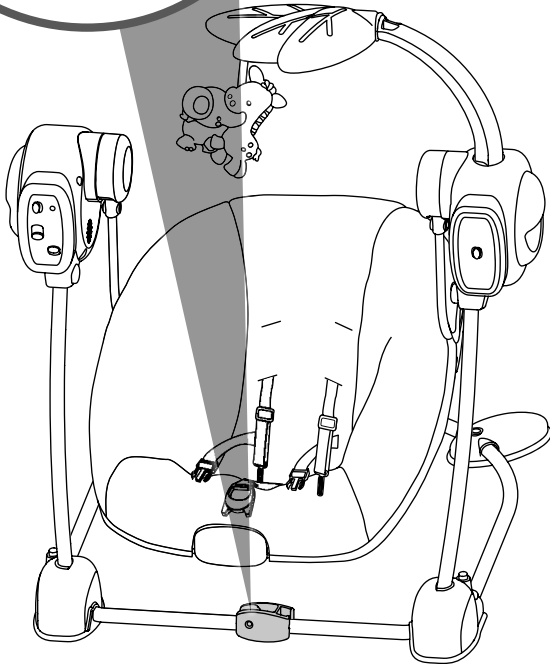
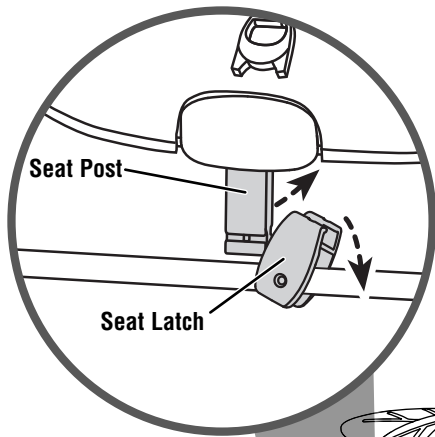


7

Smaller Baby

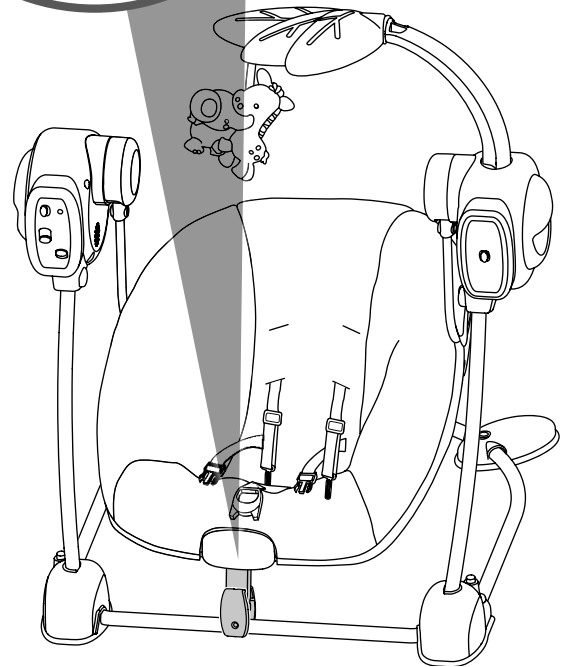
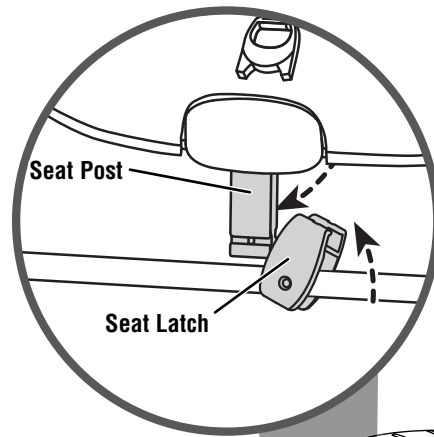
- Insert the ends of the shoulder belts through the lower slots in the pad.

Easy Conversion



Swing Mode

- Pull and slide the seat latch off of the seat post.



Seat Mode

- Lower the seat post on the seat bottom.
- While holding the seat post, lift the seat latch. Slide the seat latch over the seat post.

Swinging Motion, Soothing Sounds and Calming Vibrations



- Vibrations will not work in swing mode. To use calming vibrations, follow the instructions in the previous section to convert the product to seat mode.

- To turn off swinging, slide the swing speed/power switch off ○.

Music

- Slide the music/volume switch to ON with low volume ◀▶, ON with high volume ▶▶ or OFF ○.

Swing and Music

- To turn off swinging and music, slide the main power switch OFF ○. The power L.E.D. turns OFF.



Swing Mode

- Place your child in the seat and secure properly.
- Hint:** You can turn the toy bar back when placing baby in the seat.
- Slide the main power switch ON. The power L.E.D. turns ON ●.
- Slide the swing speed/power switch ON ▬.
- Give the seat a light push to start the swinging motion.
- Adjust the swing speed/power switch to the desired swing motion setting.

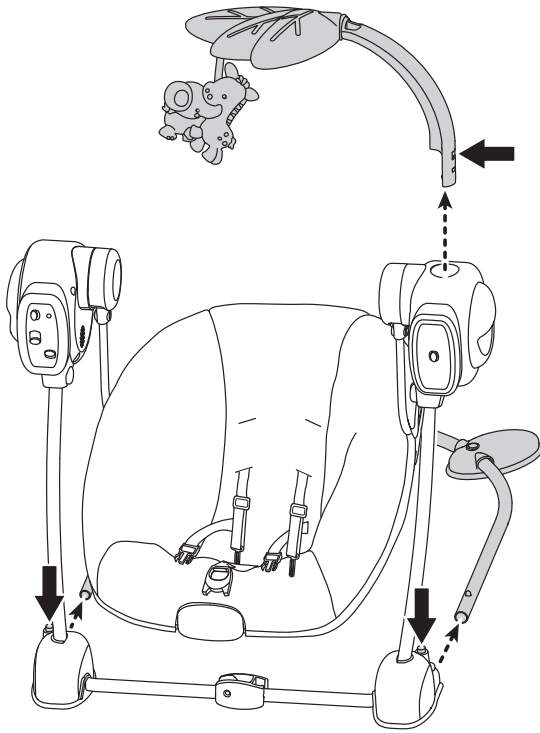
Hints:

- After turning on power, this product may not swing unless there is a child in the seat.
- As with most battery-power swings, a heavier child will reduce the amount of swinging motion on all settings. In most cases, the low setting works best for a smaller child while the higher setting works best for a heavier child.
- If the low setting provides too much swinging motion for your child, try placing one end of a blanket underneath your child and let the other end of the blanket drape down while swinging.
- If swinging stops while using a lower setting, try a higher setting. Give the seat a light push to start the swinging motion again.

Seat Mode

- Place your child in the seat and secure properly.
- Slide the vibration switch ≡ ON ● or OFF ○.

Storage



Care

- The pad is machine washable. Wash it separately in cold water on the gentle cycle. Do not use bleach. Tumble dry separately on low heat and remove promptly.
- The frame and mobile may be wiped clean using a mild cleaning solution and a damp cloth. Do not use bleach. Do not use harsh or abrasive cleaners. Rinse clean with water to remove residue.

To remove the pad:

- Unbuckle the restraints.
- Lift the bottom of the pad from the seat bottom.
- Remove the pad elastic loops from the pegs on the sides and bottom of the seat.
- Pull the restraints through the slots in the pad.
- Remove the pad from the seat.

To re-assemble the pad:

- Refer to assembly steps 9-14.

-
- Press the button on each end of the frame and remove the base.
 - Press the tab on the toy bar and lift to remove.
 - Store the base and the toy bar in a safe place for future use.

Free Manuals Download Website

<http://myh66.com>

<http://usermanuals.us>

<http://www.somanuals.com>

<http://www.4manuals.cc>

<http://www.manual-lib.com>

<http://www.404manual.com>

<http://www.luxmanual.com>

<http://aubethermostatmanual.com>

Golf course search by state

<http://golfingnear.com>

Email search by domain

<http://emailbydomain.com>

Auto manuals search

<http://auto.somanuals.com>

TV manuals search

<http://tv.somanuals.com>