



Fisher-Price®

V7597

Please keep this instructions sheet for future reference, as it contains important information.

Adult assembly is required.
Tool required for assembly:
Phillips screwdriver (not included)

For children 6 to 36 months
and up to 44 lbs (20 kg).

www.fisher-price.com

Download from Www.Somanuals.com. All Manuals Search And Download.

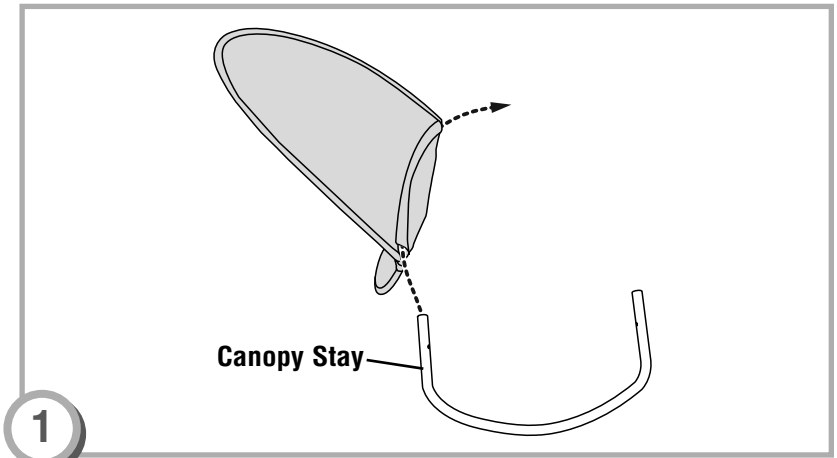
Consumer Information

WARNING

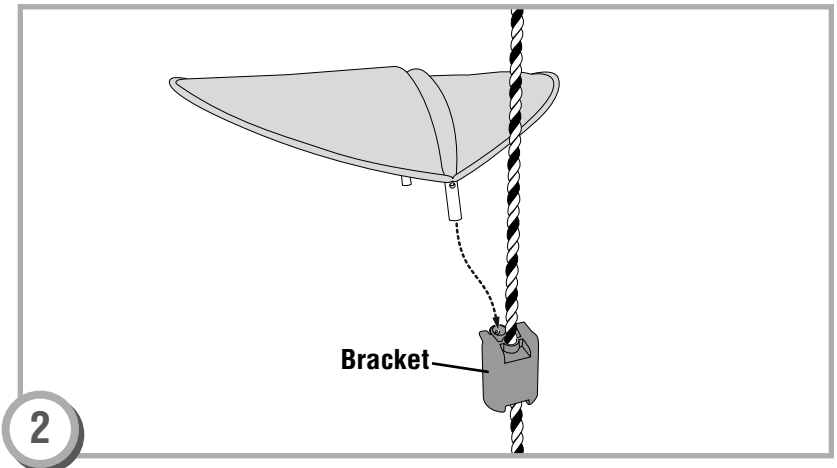
Falls onto hard surfaces could result in head or other serious injuries.

- Never place over concrete, asphalt, wood or other hard surfaces.
 - Always use the restraint system.
 - Never leave child unattended.
-
- Do not allow use of this swing until it has been properly installed by an adult, according to these instructions.
 - Install the swing at least three feet from any structure or obstruction such as a tree trunk, fence, garage, house, overhanging branches, laundry lines or electrical lines.
 - Do not use the swing as an infant seat.
 - Place only one child at a time in the swing.
 - Adult supervision is essential to ensure that children play safely.
 - Make sure your child is dressed appropriately to avoid potential hazards while using the swing. Your child should not wear loose clothing such as ponchos or scarves. Attire should include well-fitting shoes.
 - Place child in the center of the swing. Make sure the restraint system is properly secured.
 - Review the following safety tips with your child before use:
 - Do not walk close to, in front of, or behind the swing while it is in use.
 - Do not twist or spin the swing.
 - Do not push the swing when it is not occupied.
 - Do not stand in the swing.
 - Do not get out of the swing while it is in motion.

Assembly



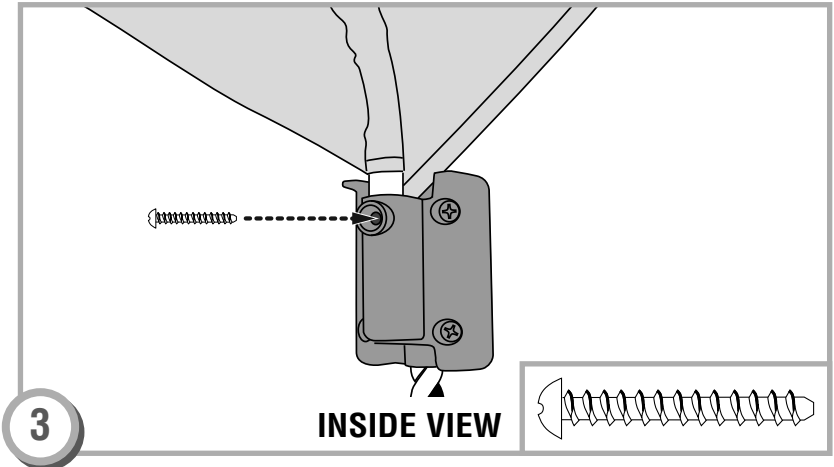
- Slide the canopy stay through the canopy sleeve.



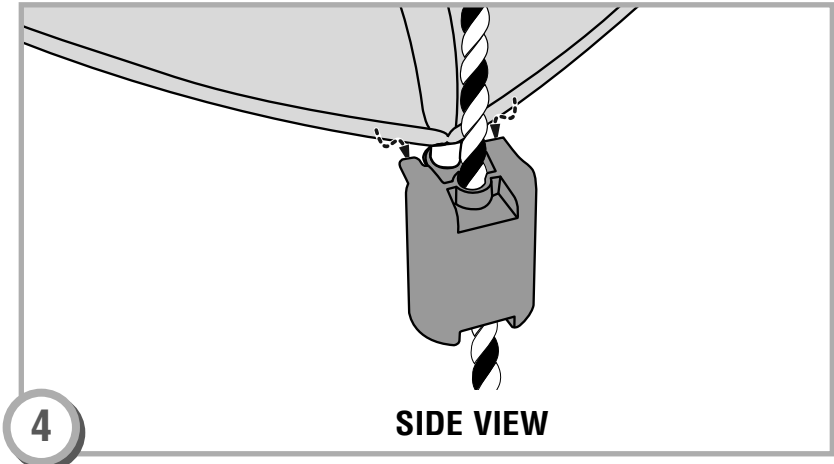
- Fit an end of the canopy stay into the socket in a bracket.

Hint: The long end of the canopy should face the front of the swing.

Assembly



- Insert a #8 x 1¼" (3,2 cm) screw into the canopy bracket and tighten with a Phillips screwdriver. Do not over-tighten.
- Repeat steps 2 and 3 to assemble the other end of the canopy stay to the other bracket.



- Fit the edges of the canopy under the tab on each bracket.

Placement and Play Area Surfacing

Before installing the swing, select and prepare a play area.

Placement

Install the swing at least three feet (1 m) from any structure or obstruction such as a tree trunk, fence, garage, house, overhanging branches, laundry lines or electrical lines.

Surfacing

Following are guidelines from the Consumer Product Safety Commission's Handbook for Public Playground Safety to minimize injuries that can result from falls. These guidelines apply to playground equipment including but not limited to swing sets and climbing equipment.

Hard surfacing materials are not suitable for use under this equipment. Earth surfaces such as soils and hard packed dirt are also not recommended because their shock absorbing properties can vary depending on climactic conditions such as moisture and temperature. Grass and turf are not recommended because their effectiveness in absorbing shock during a fall can be reduced considerably due to wear and environmental conditions. Acceptable surfacing materials are available in two basic types: **loose-fill** and **unitary**.

Loose-fill materials can have acceptable shock absorbing properties when installed at sufficient uncompressed depth of at least 6 inches (15,2 cm). These materials include sand (fine and coarse), gravel (fine and medium) and shredded wood products (wood mulch, shredded bark, wood chips). Loose-fills should not be installed over hard surfaces such as asphalt or concrete. The depth of any loose-fill material could be reduced during use resulting in different shock-absorbing characteristics. For this reason, a depth greater than the minimum recommended should be considered.

Unitary materials are generally rubber mats or a combination of rubber-like materials held in place by a binder that may be poured in place at the playground site and cures to form a unitary shock absorbing surface.

Consumer Information



CAUTION

This package contains small parts in its unassembled state. Adult assembly is required.

Care

- Wash the swing and canopy with a mild soap and water solution. Do not use bleach. Rinse with clean water to remove soap residue.
- Remove this swing from your swing set or other location and store it indoors when the outdoor temperature drops below freezing.



CONSUMER ASSISTANCE

1-800-432-5437 (US & Canada)
1300 135 312 (Australia)



service.fisher-price.com

Fisher-Price, Inc., 636 Girard Avenue, East Aurora, NY 14052.
Hearing-impaired consumers: 1-800-382-7470.

Outside the United States:

Canada: Mattel Canada Inc., 6155 Freemont Blvd.,
Mississauga, Ontario L5R 3W2; www.service.mattel.com.

Great Britain: Mattel UK Ltd, Vanwall Business Park,
Maidenhead SL6 4UB. Helpline: 01628 500303.
www.service.mattel.com/uk

Mattel Europa, B.V., Gondel 1, 1186 MJ Amstelveen, Nederland.

Australia: Mattel Australia Pty. Ltd., 658 Church Street,
Locked Bag #870, Richmond, Victoria 3121 Australia.

New Zealand: 16-18 William Pickering Drive,
Albany 1331, Auckland.

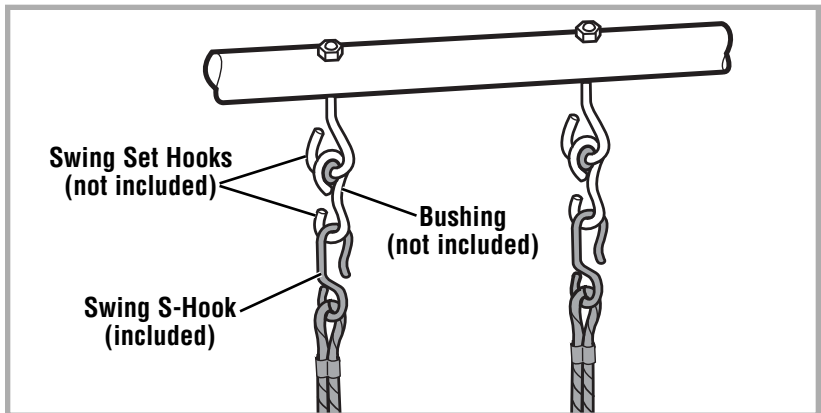
Fisher Price, Inc., a subsidiary of Mattel, Inc., East Aurora, NY 14052 U.S.A.
©2010 Mattel, Inc. All Rights Reserved. © and ™ designate U.S. trademarks of Mattel, Inc.

Swing Set Installation

IMPORTANT! When installing this swing, be sure it cannot swing to within three feet (1 m) of any other object in front of, behind, or to the side of it.

CAUTION

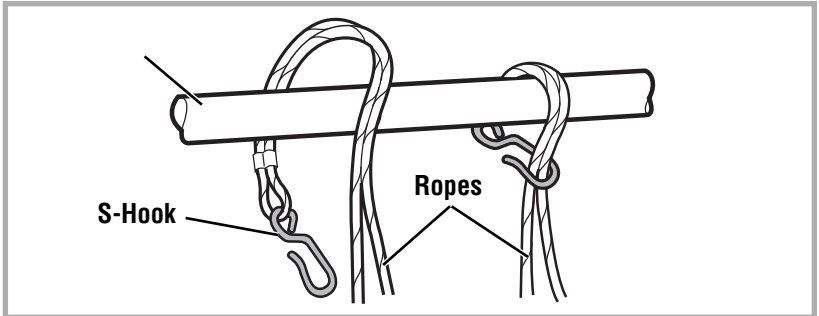
Periodically inspect S-hooks for wear. Metal to metal contact between hooks may cause premature wear. If your swing set does not have a bushing, you may want to replace the existing hook with a hook and bushing assembly available at toy stores and home centers.



- Fasten the swing S-hooks (included) onto the swing set hooks (not included).

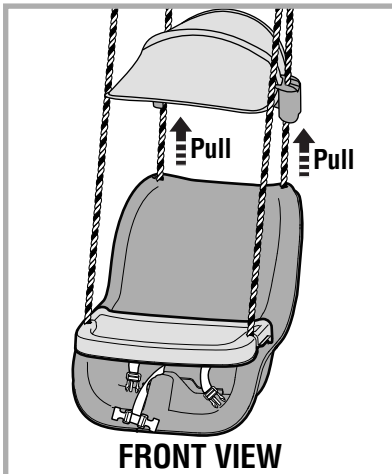
Pole or Tree Branch Installation

IMPORTANT! Before installing, check the strength and stability of the pole or tree branch. Place the swing at least three feet (1 m) from a tree trunk or any other structure.



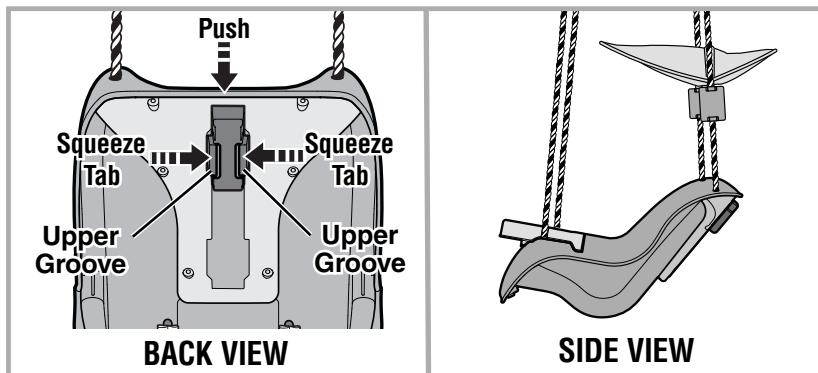
- Wrap the S-hook end of the swing ropes around the pole or tree branch.
- Hook the S-hook around the ropes. Pull down on the ropes to make sure the swing is securely fastened.

Hint



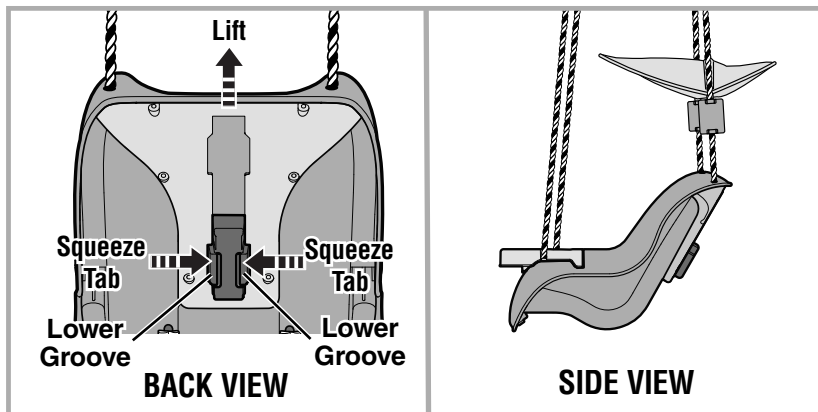
***Hint:** If the swing appears to be crooked, simply pull either back rope up to straighten the swing.*

Recline for Infant



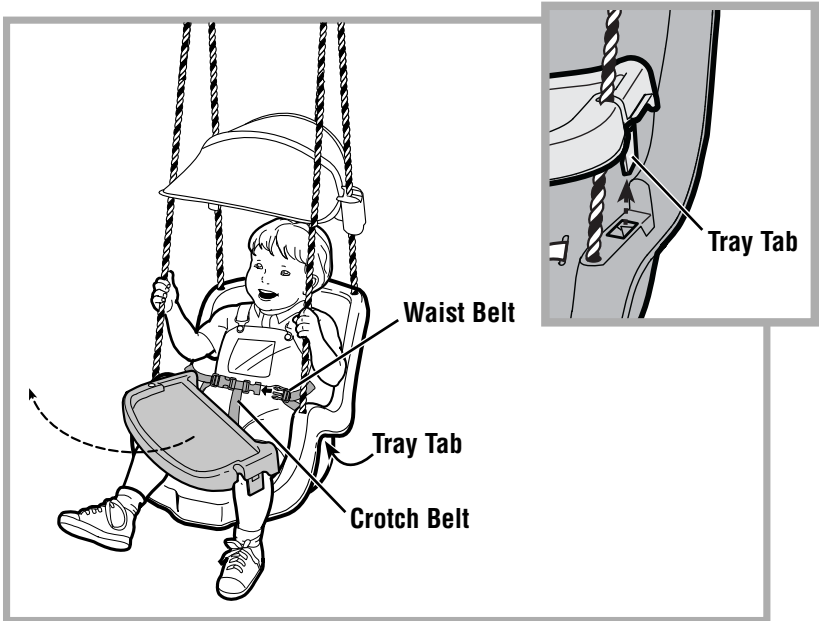
- From the back of the swing, grasp the top edge of the swing. Squeeze the tabs and push the top edge of the swing down.
- Make sure the tabs are completely in the upper grooves in the track, as shown.

Upright for Toddler



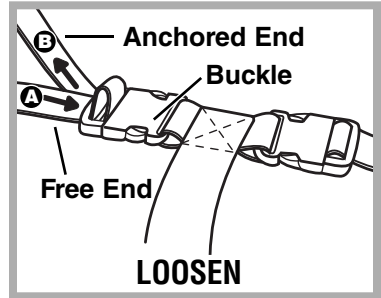
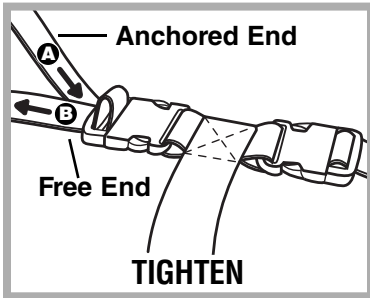
- From the back of the swing, grasp the top edge of the swing. Squeeze the tabs while lifting the top edge of the swing.
- Make sure the tabs are completely in the lower grooves in the track, as shown.

Securing Your Child



- Locate the tray tabs under the armrests of the swing.
- Pull the tray tabs out and lift the tray slightly.
- Rotate the tray out of the way.
- Unbuckle the waist belts from the crotch belt.
- Place your child in the swing.
- Pull the crotch belt up between your child's legs and fasten both waist belts to the crotch belt. Make sure you hear a **"snap"** on both sides.
- Check to be sure the restraint system is securely attached by pulling it away from your child. The restraint system should remain attached.
- Tighten each waist belt so that the restraint is snug against your child. Please refer to the next section for instructions to tighten the waist belts.

Securing Your Child

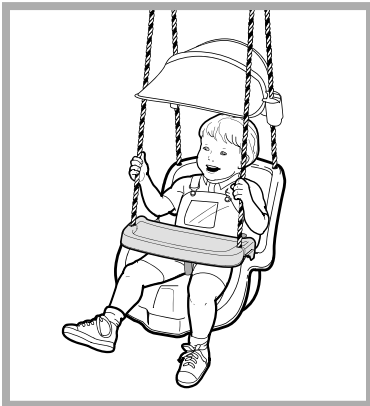


To tighten the waist belts:

- Feed the anchored end of the waist belt up through the buckle to form a loop **A**. Pull the free end of the waist belt **B**.
- Repeat this procedure to tighten the other waist belt.

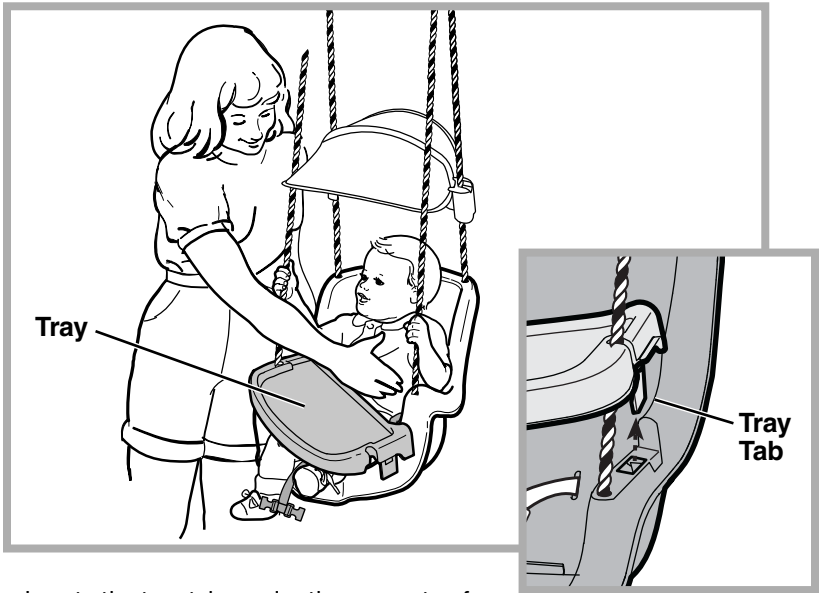
To loosen the waist belts:

- Feed the free end of the waist belt up through the buckle to form a loop **A**. Enlarge the loop by pulling on the end of the loop toward the buckle.
- Pull the anchored end of the waist belt to shorten the free end of the waist belt **B**.
- Repeat this procedure to loosen the other waist belt.



- Rotate the tray back into place and push down on it to “**snap**” it into place. Pull up on the tray to be sure it is securely latched.

Removing Your Child



- Locate the tray tabs under the armrests of the swing.
- Pull the tray tabs out and lift the tray slightly.
- Rotate the tray out of the way.
- Squeeze tabs on the waist restraint buckles to unfasten the restraint system.

Free Manuals Download Website

<http://myh66.com>

<http://usermanuals.us>

<http://www.somanuals.com>

<http://www.4manuals.cc>

<http://www.manual-lib.com>

<http://www.404manual.com>

<http://www.luxmanual.com>

<http://aubethermostatmanual.com>

Golf course search by state

<http://golfingnear.com>

Email search by domain

<http://emailbydomain.com>

Auto manuals search

<http://auto.somanuals.com>

TV manuals search

<http://tv.somanuals.com>