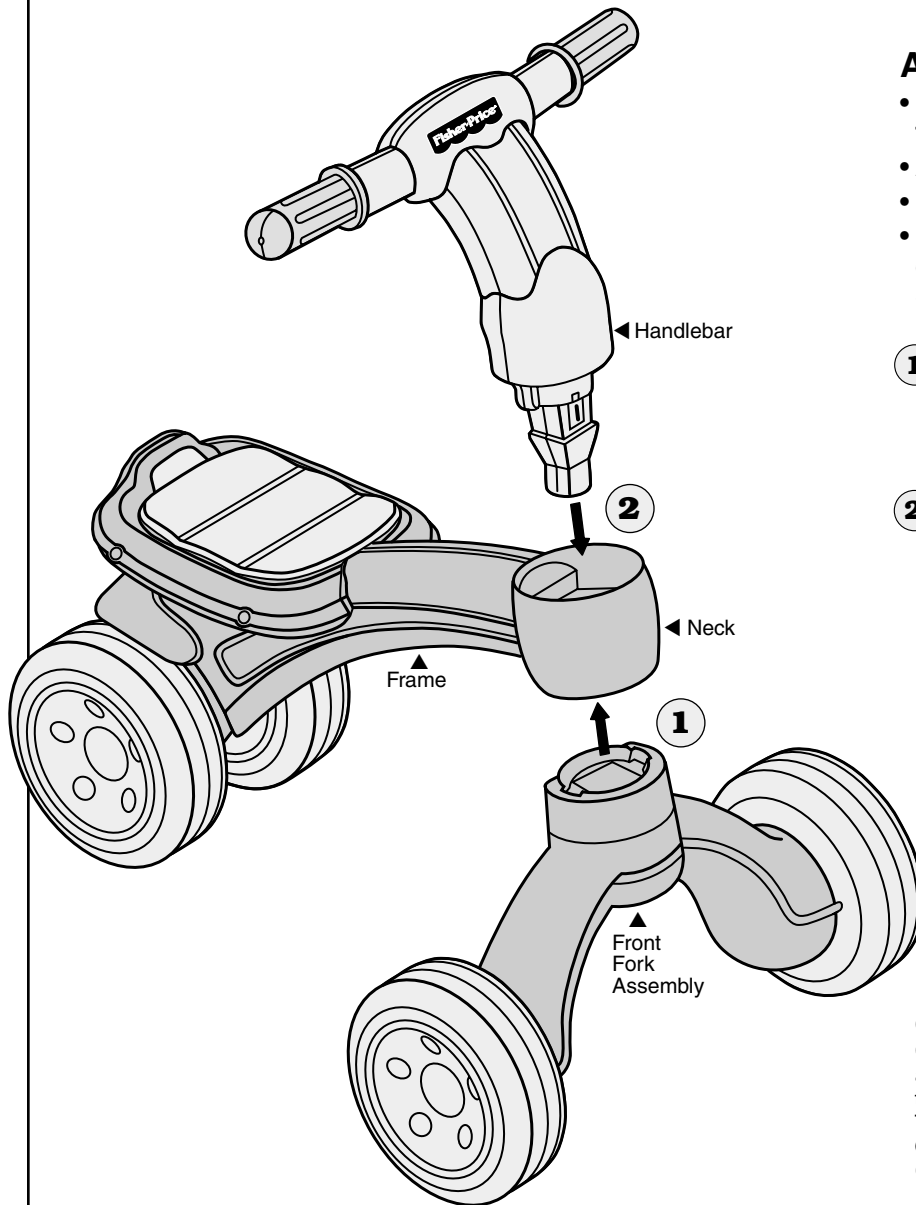


# Fisher-Price®

## Instructions

# Ready-Steady™ Ride-On

Product Number: 71159



### Assembly

- Please keep these instructions for future reference.
- Adult assembly is required.
- No tools are needed for assembly.
- Please wipe each part with a clean, dry cloth before assembling the Ready-Steady™ Ride-On.

- 1** Position the frame upright on a flat surface.  
Insert the front fork assembly up into the bottom of the neck of the frame.
- 2** Position the handlebar so that the Fisher-Price® logo faces the front.  
Insert and snap the handlebar through the opening in the neck of the frame and into the front fork assembly.  
Pull up on the handlebar to be sure it is secure.

**One-time assembly is now complete.**



### Questions? We'd like to hear from you!

Call Fisher-Price® Consumer Affairs, toll-free at **1-800-432-KIDS**, 8 AM - 6 PM EST Monday through Friday. Hearing-impaired consumers using TTY/TDD equipment, please call 1-800-382-7470. Or, write to: Fisher-Price® Consumer Affairs, 636 Girard Avenue, East Aurora, New York 14052.

If you have any questions about this product:

**In Canada**, call **1-800-567-7724**, or write to: Mattel Canada Inc., 6155 Freemont Blvd., Mississauga, Ontario L5R 3W2.

**In Great Britain**, telephone 01734 770488.

**In Australia**, call the Fisher-Price Australian Consumer Advisory Service toll-free at 1-800-800-812, or write to: Fisher-Price, Mattel Pty. Limited, 461 Plummer Street, Port Melbourne, Victoria 3207.

## Free Manuals Download Website

<http://myh66.com>

<http://usermanuals.us>

<http://www.somanuals.com>

<http://www.4manuals.cc>

<http://www.manual-lib.com>

<http://www.404manual.com>

<http://www.luxmanual.com>

<http://aubethermostatmanual.com>

Golf course search by state

<http://golfingnear.com>

Email search by domain

<http://emailbydomain.com>

Auto manuals search

<http://auto.somanuals.com>

TV manuals search

<http://tv.somanuals.com>