



Instructions

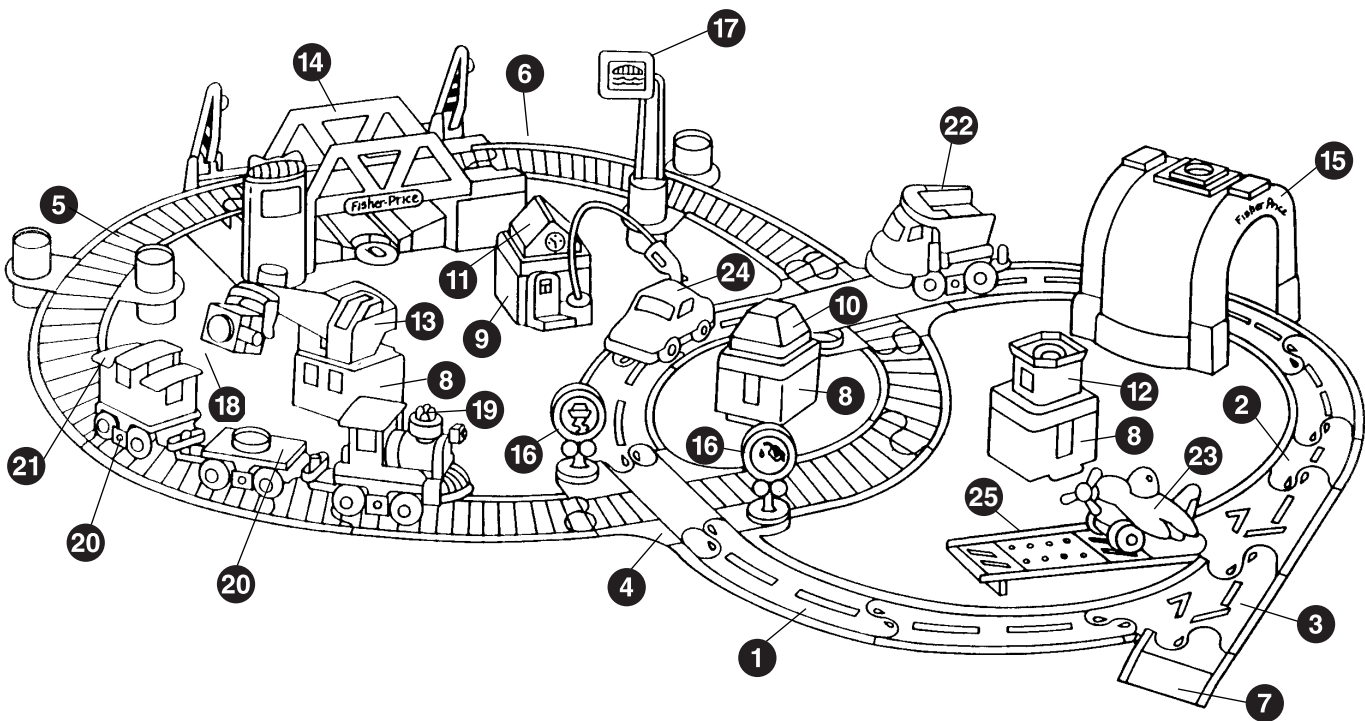
Flip Track Rail and Road Set™

Model Number 72334



**Please keep these instructions for future reference.
Parent assembly suggested for the beginner.
For best track performance, use on a flat, hard surface.**

Parts



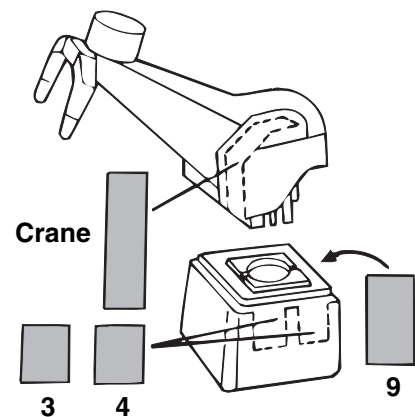
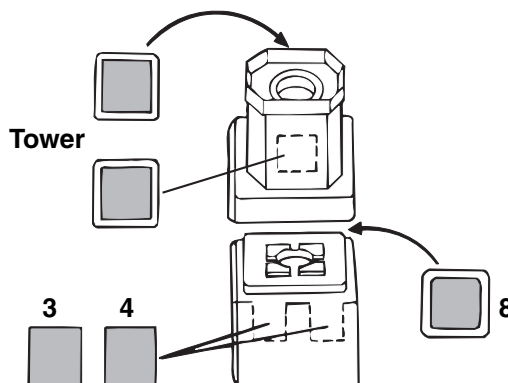
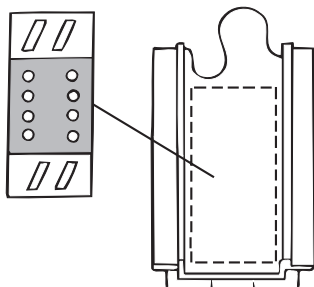
- | | | |
|---------------------------------|-------------------|--------------------------------------|
| 1. 11 Curved Tracks | 10. Roof I | 19. Engine |
| 2. 3 Straight Tracks | 11. Roof II | 20. Flat Car |
| 3. 2 Turnout Tracks | 12. Control Tower | 21. Removable Caboose Top |
| 4. 2 Universal Connector Tracks | 13. Crane | 22. Dump Truck with Removable Bucket |
| 5. Left Ramp Track | 14. Bridge | 23. Plane |
| 6. Right Ramp Track | 15. Tunnel | 24. Car |
| 7. On/Off Ramp | 16. 2 Round Signs | 25. Runway |
| 8. 3 Bases | 17. Overhead Sign | |
| 9. Gas Station | 18. Crate | |

Decoration

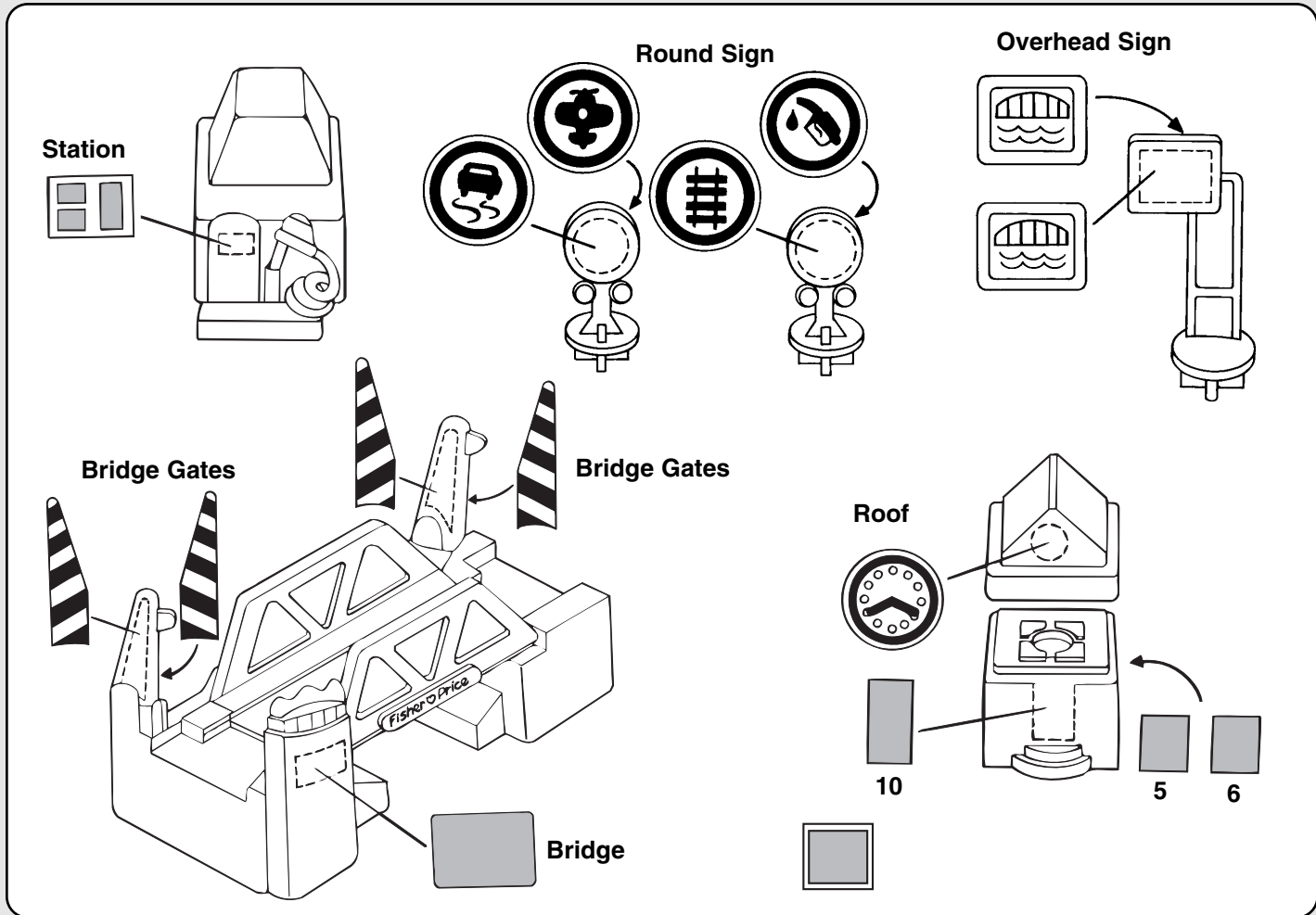
Proper label application will help to keep the labels looking their best.

- Wash your hands before applying the labels.
- Make sure the areas where the labels will be applied are clean and dry. Wipe this product with a clean, soft, dry cloth to remove any dust or oils.
- For best results, do not attempt to apply a label more than once.
- Apply the labels as shown in the illustrations.

Runway Track

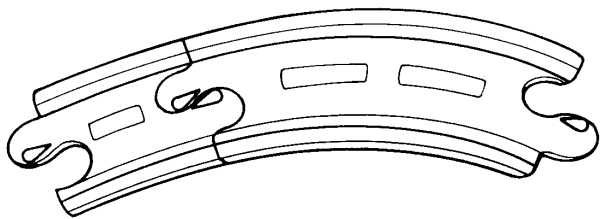


Decoration



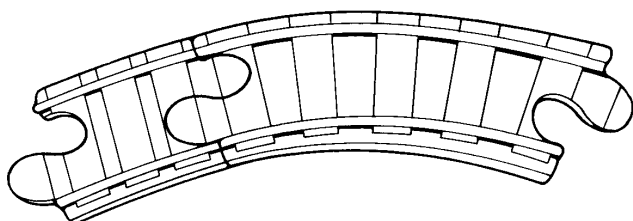
Assembly

Road Track Assembly

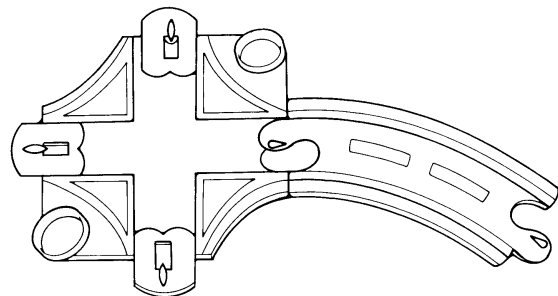


Press and snap together the road track to road track.

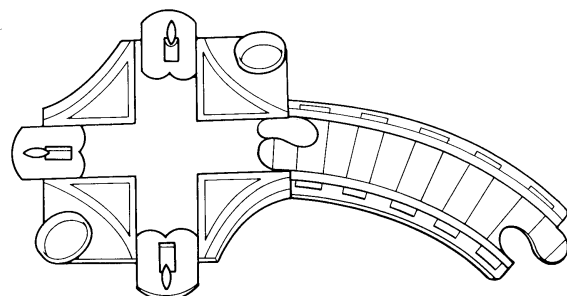
Railroad Track Assembly



Universal Connector Assembly



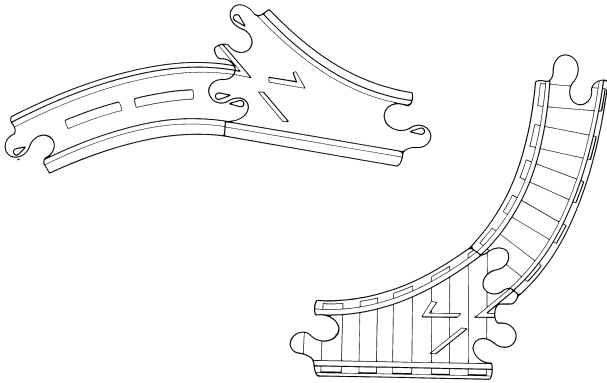
Press and snap together the road track to the universal connector.



Press and snap together the railroad track to the universal connector.

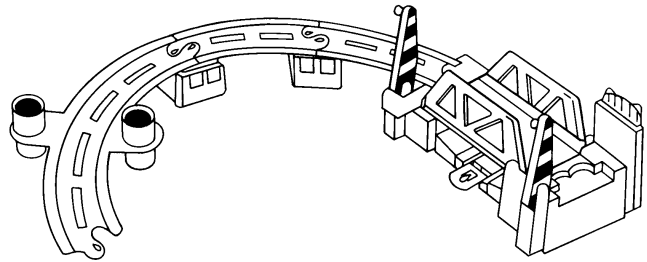
Assembly

Turnout Track Assembly



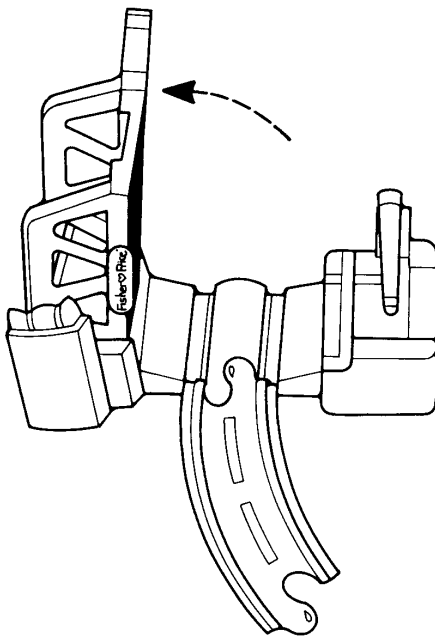
Press and snap together the railroad track to the turnout track.

Trestle Assembly



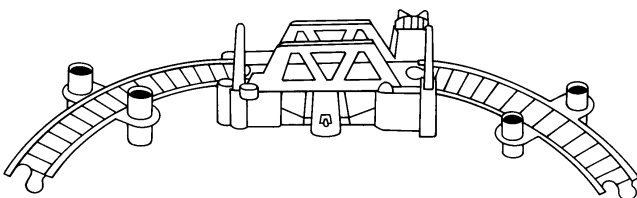
Press and snap together the curved track to the bridge. Place a base underneath the curved track. Press and snap together the curved track to the curved track. Place a base underneath the curved track. Now, press and snap together the ramp track to the curved track.

Under Bridge Track Assembly



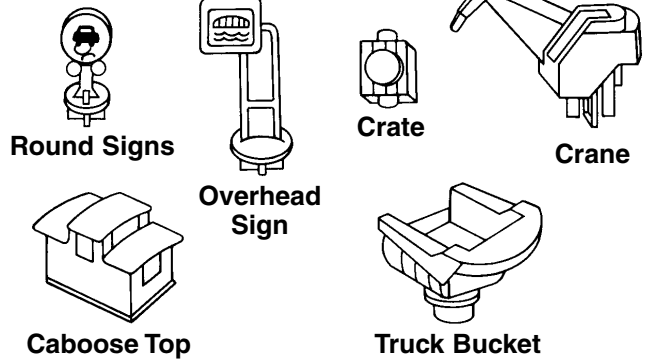
Lift the bridge. Press and snap together the road track underneath the bridge.

Ramp Track Assembly

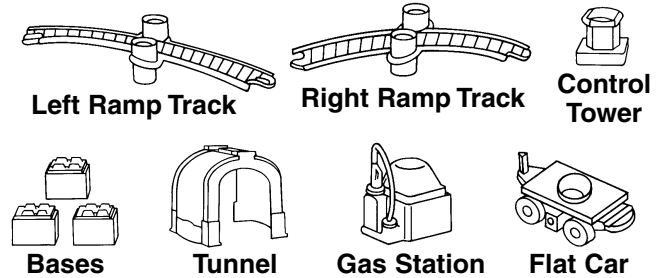


Press and snap together the left and right ramp track to the bridge.

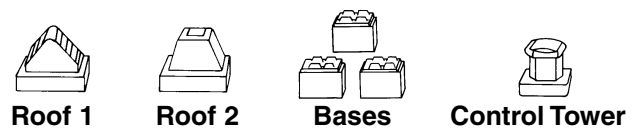
Parts with circles...



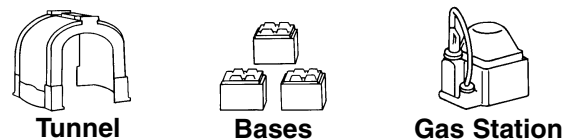
Fit on ...



Parts with square bottoms...



Fit on...

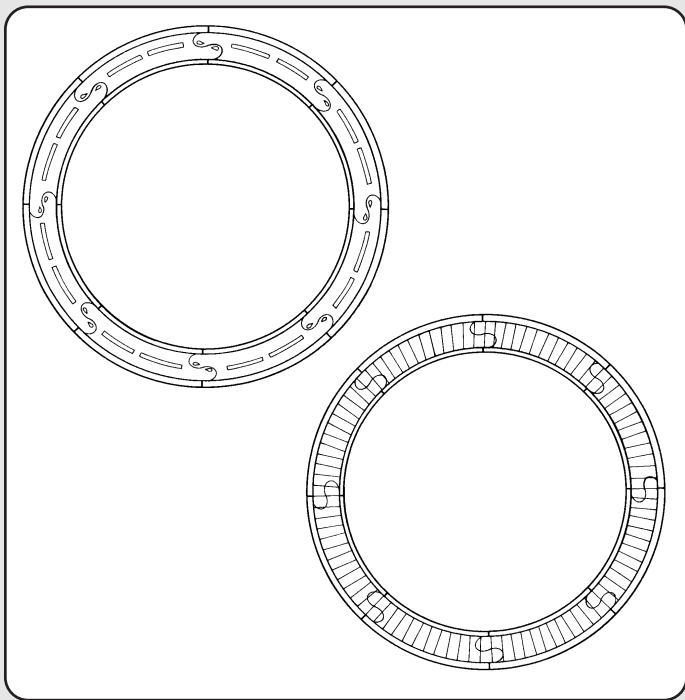


Assembly

Preschool children will enjoy using all parts of this toy. To start out, however, it may be less overwhelming to provide just a few basic parts, according to your child's age and development, play interests and abilities. Here are some hints for layout possibilities.

2 – 3 years

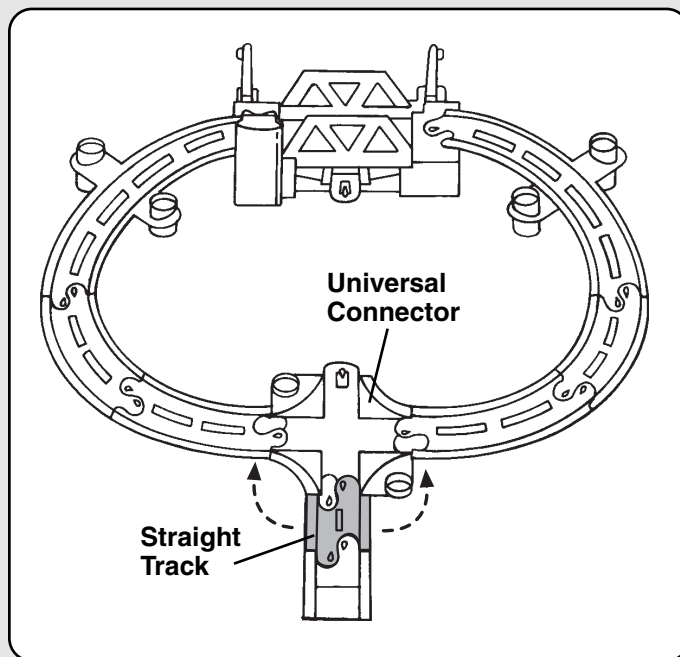
Start with a simple set-up, using only a few pieces of track.



3 – 4 years

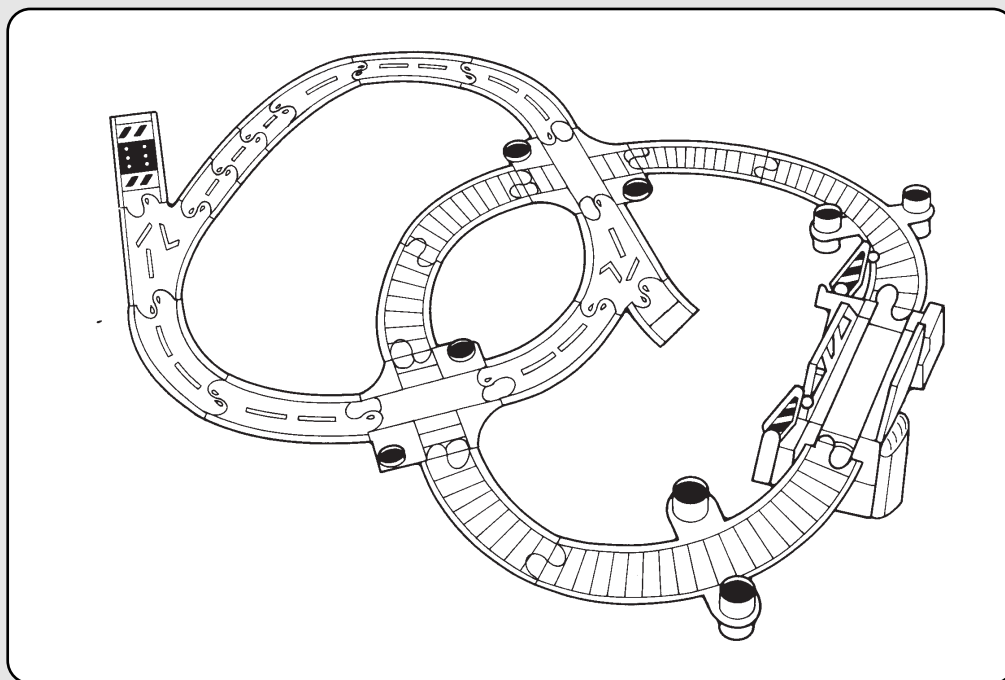
Add more track and accessories for more detailed layouts as development and skill increase.

Note: To assemble the track as shown, remove the straight track. Press and snap the straight track onto either side of the universal connector.



4 – 6 years

Build more complex layouts using most or all of the track and accessories.



Care

To clean, wipe the surface of this toy with a mild soap and water solution and clean cloth. Rinse clean with water to remove soap residue. Do not immerse this toy.

Consumer Information



Questions? We'd like to hear from you!

Call Fisher-Price® Consumer Affairs, toll-free at **1-800-432-KIDS**, 8 AM - 6 PM EST Monday through Friday. Hearing-impaired consumers using TTY/TDD equipment, please call 1-800-382-7470. Or, write to:

Fisher-Price® Consumer Affairs
636 Girard Avenue
East Aurora, New York 14052

www.fisher-price.com

Fisher-Price, Inc., a subsidiary of Mattel, Inc.
East Aurora, New York 14052, U.S.A.
©2000 Mattel, Inc. All Rights Reserved.
® and ™ designate U.S. trademarks of Mattel, Inc.

Free Manuals Download Website

<http://myh66.com>

<http://usermanuals.us>

<http://www.somanuals.com>

<http://www.4manuals.cc>

<http://www.manual-lib.com>

<http://www.404manual.com>

<http://www.luxmanual.com>

<http://aubethermostatmanual.com>

Golf course search by state

<http://golfingnear.com>

Email search by domain

<http://emailbydomain.com>

Auto manuals search

<http://auto.somanuals.com>

TV manuals search

<http://tv.somanuals.com>