



Please keep this instruction sheet for future reference, as it contains important information.

Requires three "D" (LR20) **alkaline** batteries (not included).

Adult assembly is required.

Tool required for assembly: Long shaft Phillips screwdriver (not included).

**SWEET MAGIC
KITCHEN™**

Parts

⚠ CAUTION

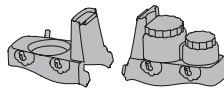
This product contains small parts in its unassembled state.
Adult assembly is required.



#8 x 1/2" Screw – 24
Shown Actual Size



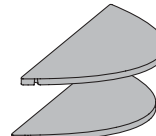
Battery
Compartment
Door



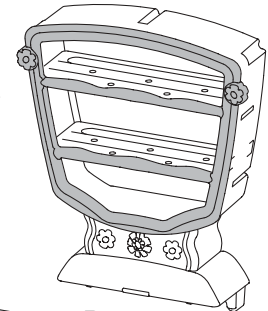
2 Pantry Side
Shelves



Serving
Tray



2 Shelves



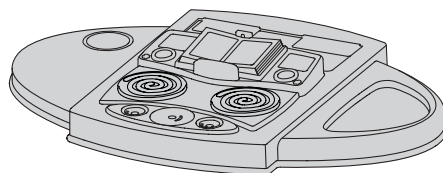
Pantry



Oven
Dial



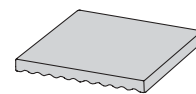
2 Oven
Knobs



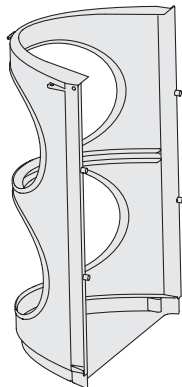
Counter Top



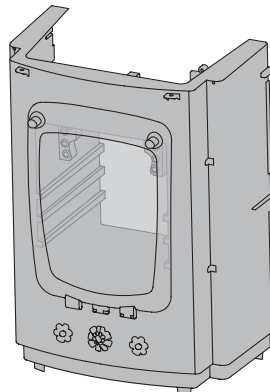
Page



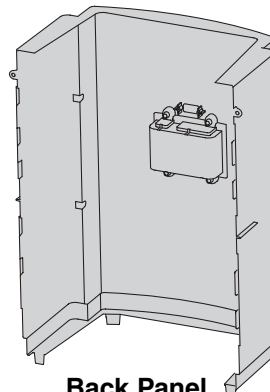
Oven Rack



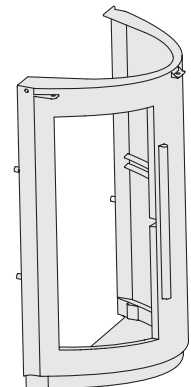
Side Panel with
Oval Openings



Front Panel



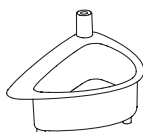
Back Panel



Side Panel with
Rectangular Opening



Faucet



Sink



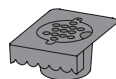
Oven Handle



Faucet
Handle



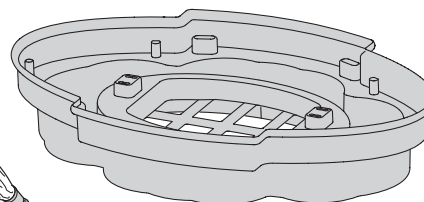
Phone



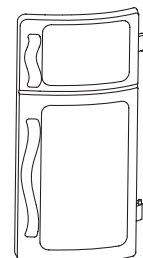
Cooling
Drawer



Icing
Bag



Base



Refrigerator Door

Parts Not Shown:

Label Sheet

2 Drinking Goblets

Mixing Bowl

Candle

2 Forks

Whisk

Mixing Spoon

Pot Holder

Cake Spatula

Egg

Cake Mix Box

Pitcher

Butterfly Cake

Topper

Color Change Cupcake Top

Cupcake Bottom

Color Change Pie Top

2 Plates

Pie Bottom

Color Change Cake

Color Change Cake Piece

Color Change Gingerbread Man

Color Change Pie

Color Change Chip Cookie

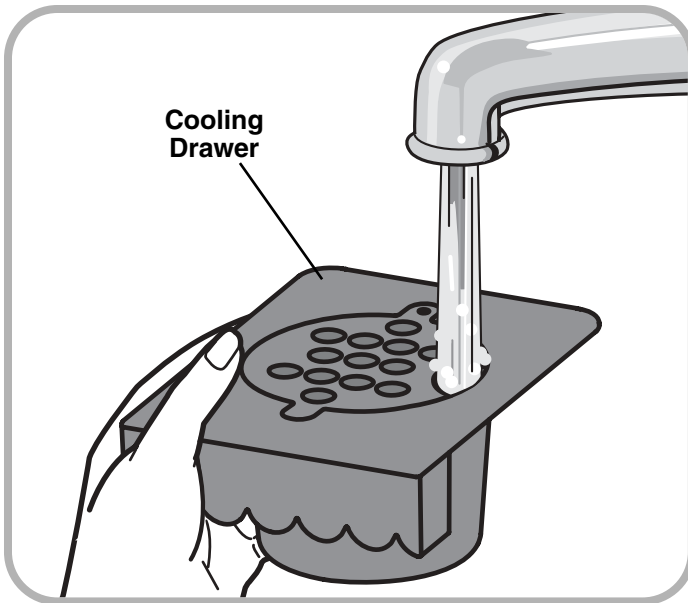
Color Change Heart Cookie

Assembly

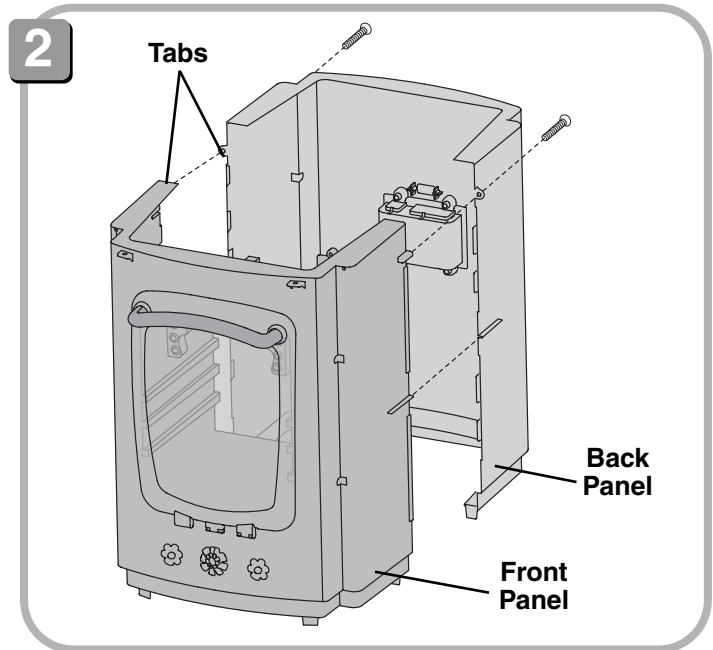
- Please wipe each part with a clean, dry cloth before assembly.
- Save all packaging material until assembly is complete to ensure that parts are not discarded.

Before First Use

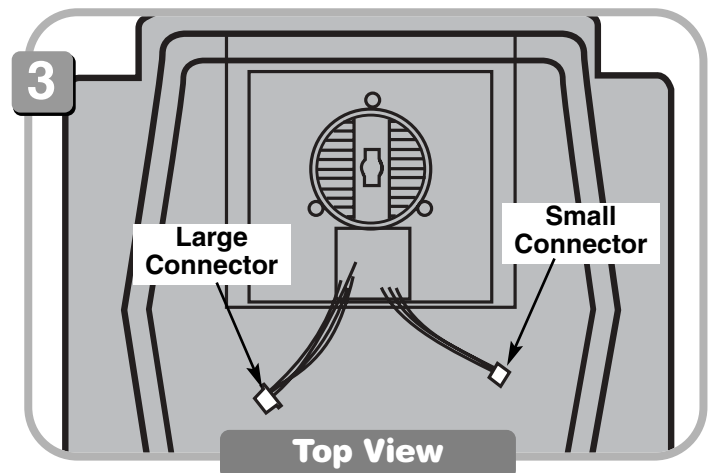
The cooling drawer must be filled with water and frozen. The drawer lets the kitchen "bake" the color change treats.



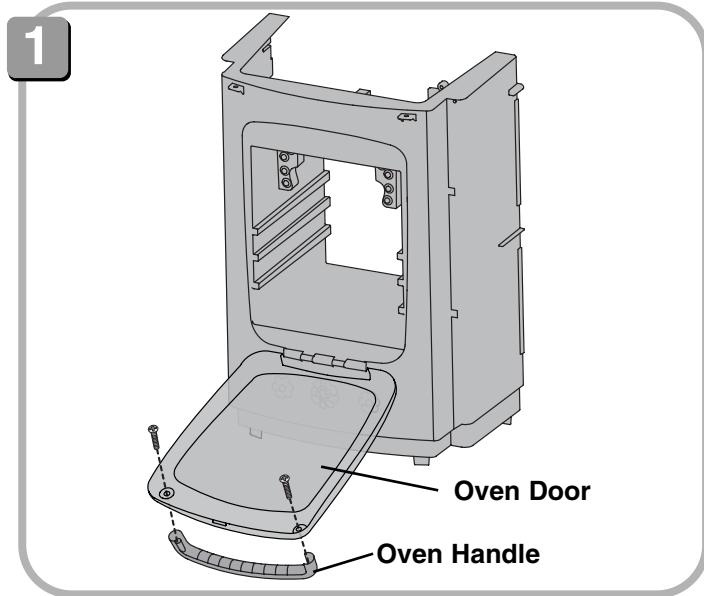
- Fill the cooling drawer with tap water just below the top of the tubes.
- Place the cooling drawer in your freezer. When the water in the cooling drawer is frozen, you're ready to bake.



- Fit the front panel to the back panel.
- Insert two screws through the back panel and into the front panel. Tighten the screws with a Phillips screwdriver. Do not over-tighten.



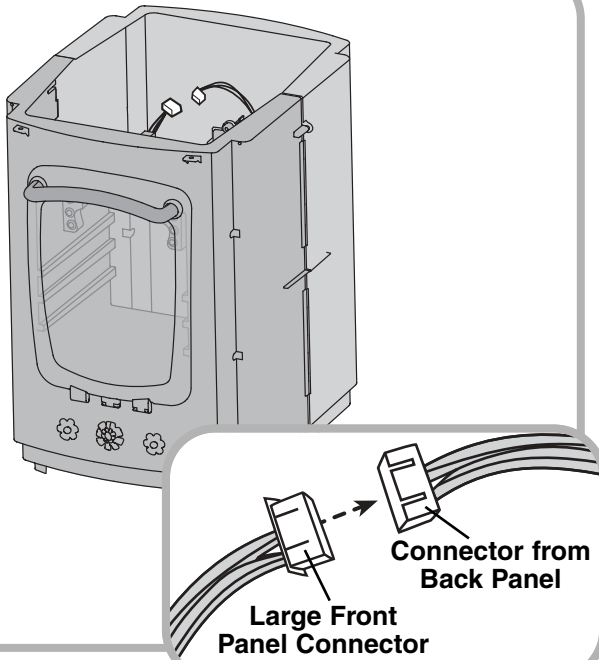
- During the assembly you will be making two electrical connections. Identify the two connectors coming from the front panel.
Large Connector - Connects to the back panel in the next step.
Small Connector - Connects to the counter top in step 10.



- Open the oven door.
- Fit the oven handle to the oven door as shown.
- Insert two screws through the back of the oven door and into the handle. Tighten with a Phillips screwdriver. Do not over-tighten.

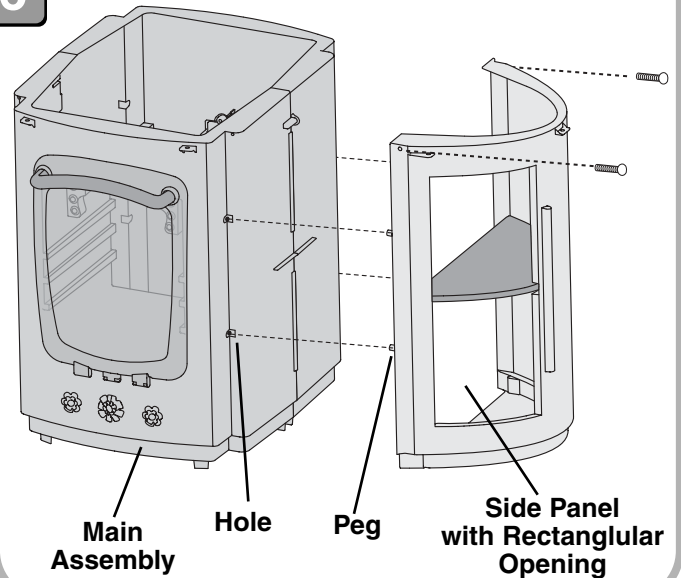
Assembly

4



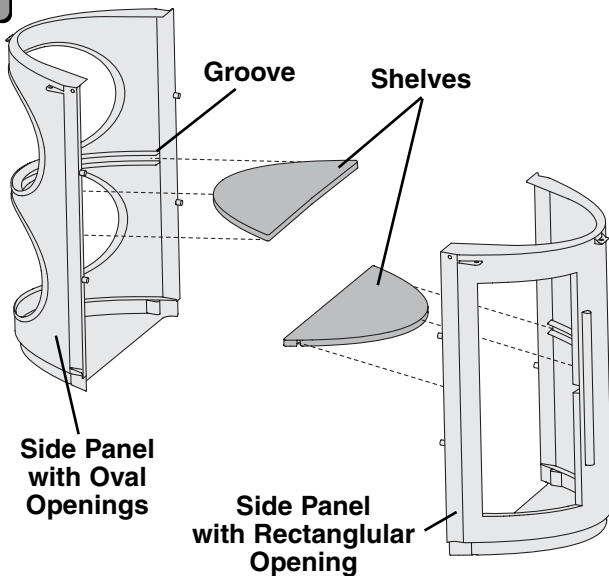
- Plug the large connector from the front panel into the connector from the back panel as shown.

6



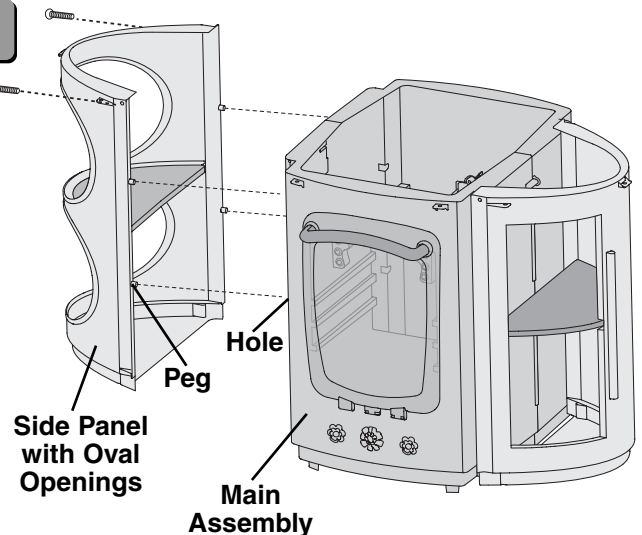
- Fit the side panel with the rectangular opening to the main assembly. Make sure the pegs in the side panel fit into the holes in the main assembly.
- Insert two screws through the side panel and into the main assembly as shown. Tighten the screws with a Phillips screwdriver. Do not over-tighten.

5



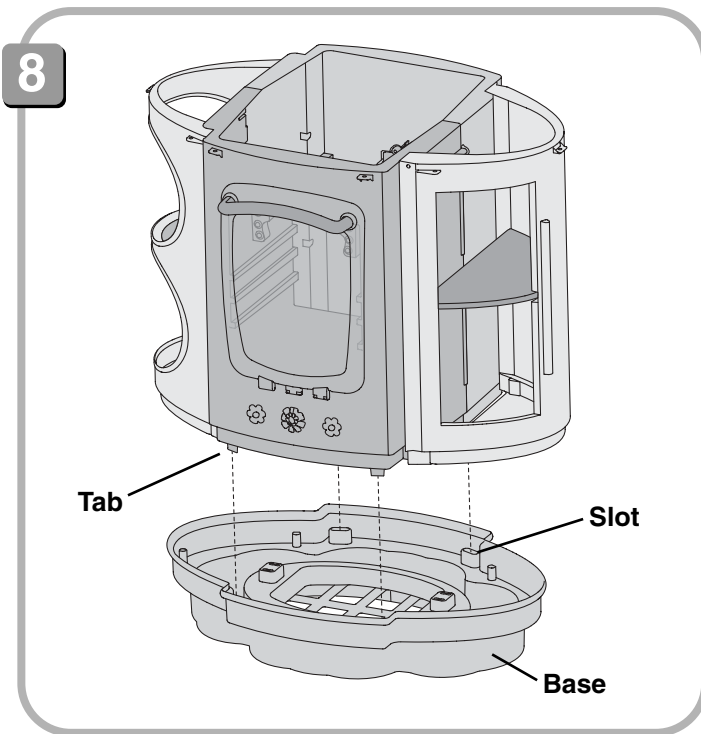
- Slide each shelf into the groove in each side panel.

7

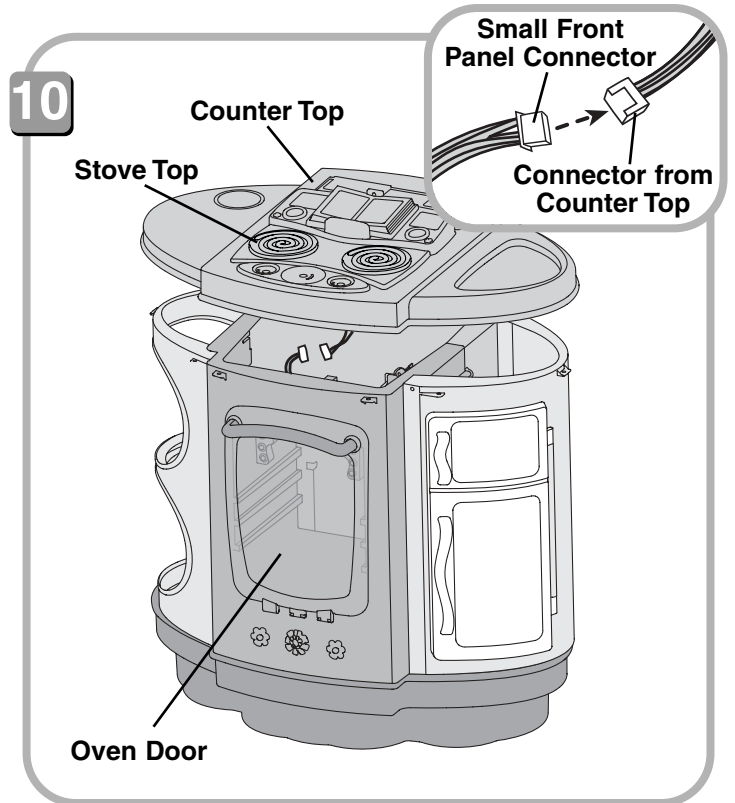


- Fit the side panel with the oval openings to the other side of the main assembly. Make sure the pegs in the side panel fit into the holes in the main assembly.
- Insert two screws through the side panel and into the main assembly as shown. Tighten the screws with a Phillips screwdriver. Do not over-tighten.

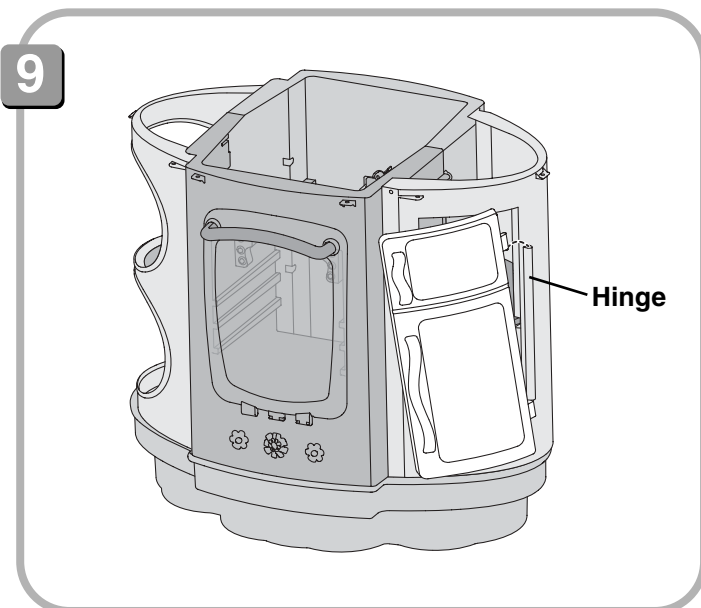
Assembly



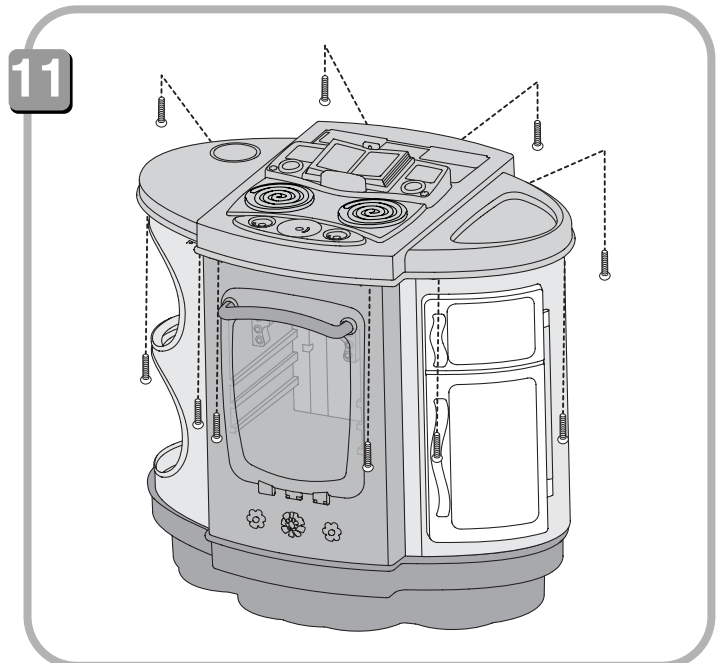
- Place the base on a flat surface with the open side facing up.
- Set the main assembly onto the base. Fit the tabs on the bottom of the main assembly into the slots in the base.
- Press down on the main assembly to "**snap**" it into the base.



- Position the counter top over the main assembly so that the stove top is over the oven door.
- Plug the remaining small connector from the main assembly into the connector from the counter top as shown.



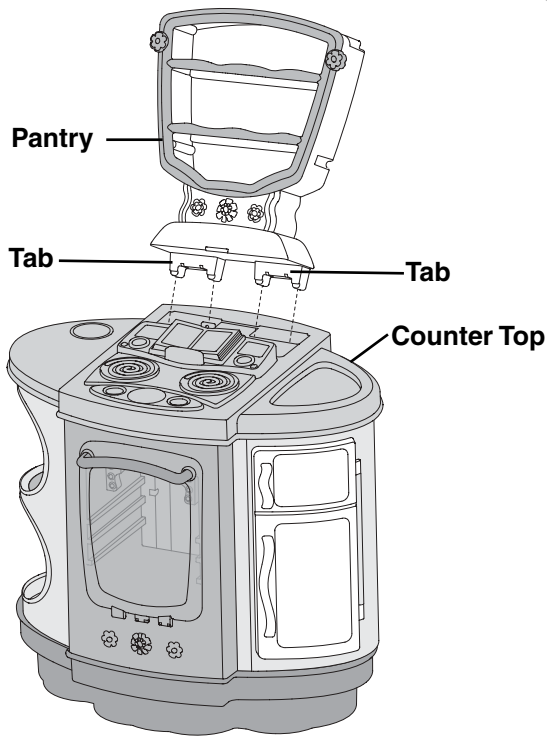
- Position the refrigerator door with the handles facing you.
- At an angle, fit the refrigerator door lower peg into the lower hole in the hinge on the side panel.
- Then, "**snap**" the refrigerator door upper peg into the upper hole in the hinge.



- Fit the counter top onto the main assembly.
- Insert 10 screws through the main assembly and into the counter top. Tighten the screws with a Phillips screwdriver. Do not over-tighten.

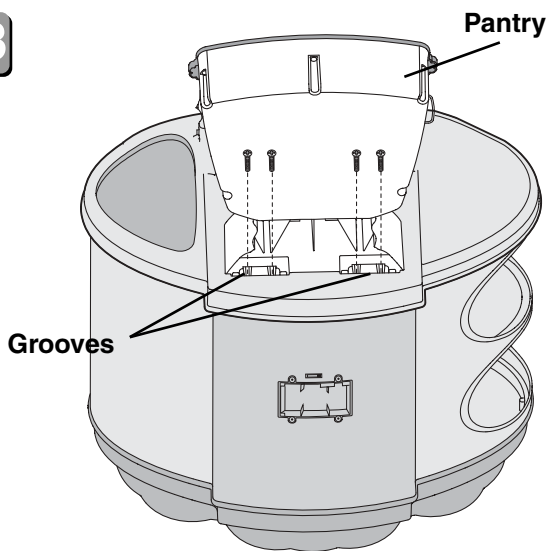
Assembly

12



- Position the pantry over the counter top as shown.
- Fit two large tabs on the pantry into the matching slots in the counter top as shown.
- Gently press down on the top of the pantry to "snap" it in place.

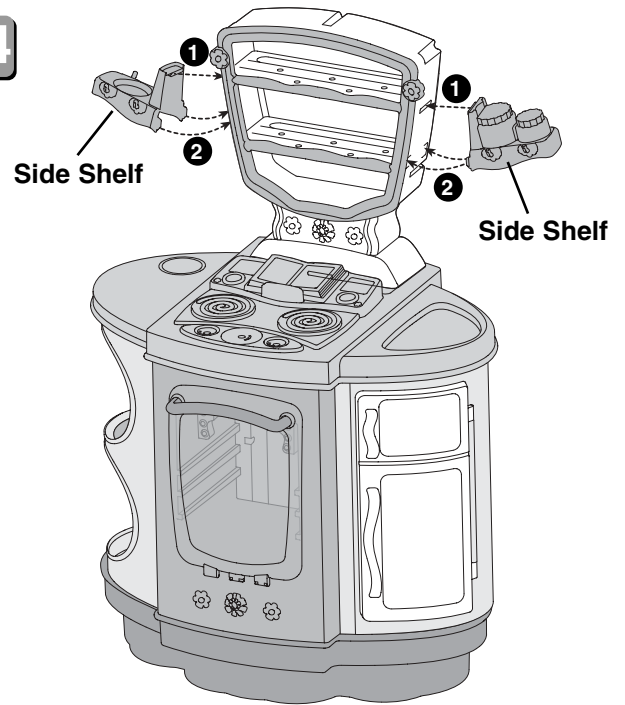
13



Back View

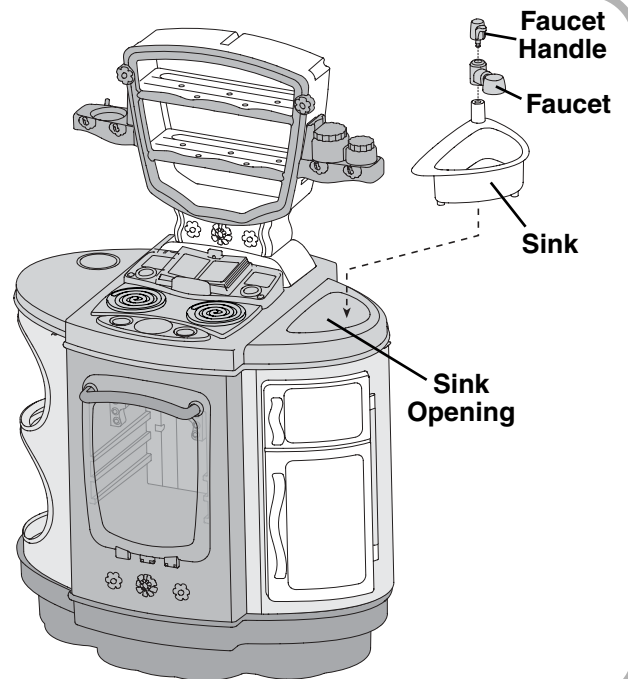
- Insert four screws through the grooves in the pantry and into the counter top. Tighten the screws with a Phillips screwdriver. Do not over-tighten.

14



- Fit the tab near the top of a side shelf into the upper groove in the side of the pantry as shown.
- Press to "snap" the remaining tabs into place.
- Repeat this procedure to attach the other side shelf.

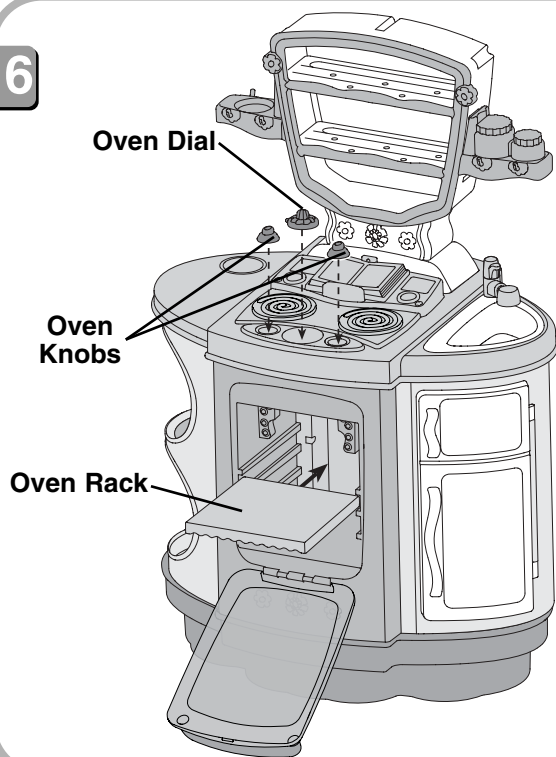
15



- Place the sink into the sink opening in the counter top.
- Fit the hole in the faucet over the post on the sink as shown.
- Insert and "snap" the peg on the bottom of the faucet handle into the faucet as shown.

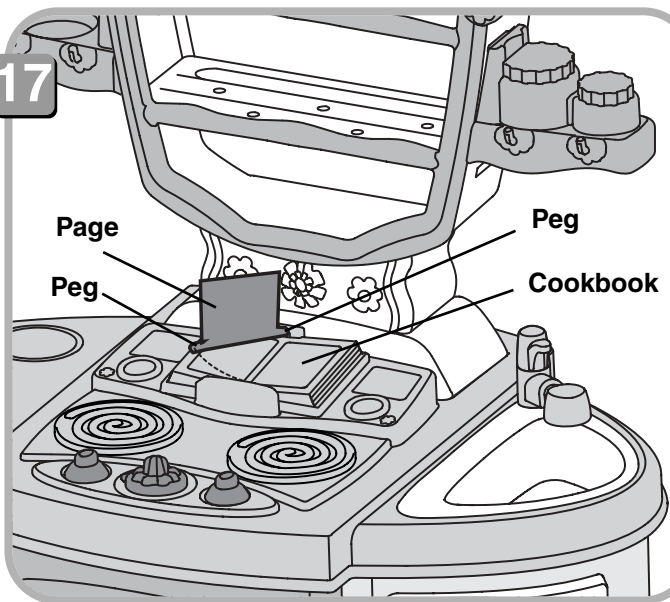
Assembly

16



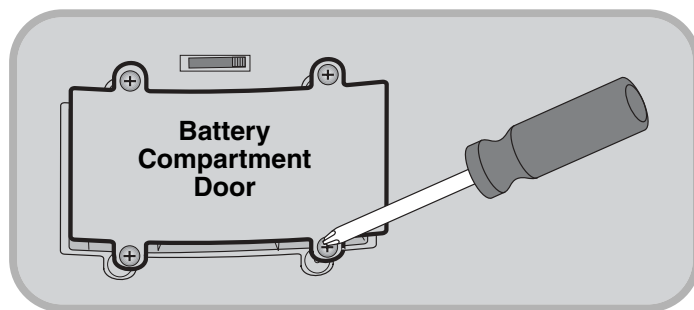
- Insert and **"snap"** the oven dial into the center hole in the counter top.
- Insert and **"snap"** the oven knobs into the holes on either side of the oven dial.
- Open the oven door and slide the oven rack into the grooves inside the oven.

17

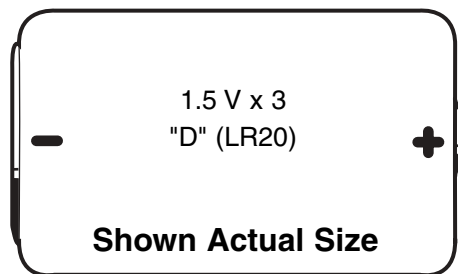


- Insert the peg on one end of the page into the top hole in the "cookbook."
- Bend the page slightly and insert the bottom tab into the hole at the bottom of the cookbook.

Battery Installation



- Locate the battery compartment on the back of the kitchen.
- Insert three "D" (LR20) **alkaline** batteries.
- Hint:** We recommend using **alkaline** batteries for longer life.*
- Fit the battery compartment door onto the battery compartment. Tighten the screws in the battery compartment door with a Phillips screwdriver. Do not over-tighten.
- When lights, sounds or fan on this toy become faint or stop, it's time for an adult to change the batteries!

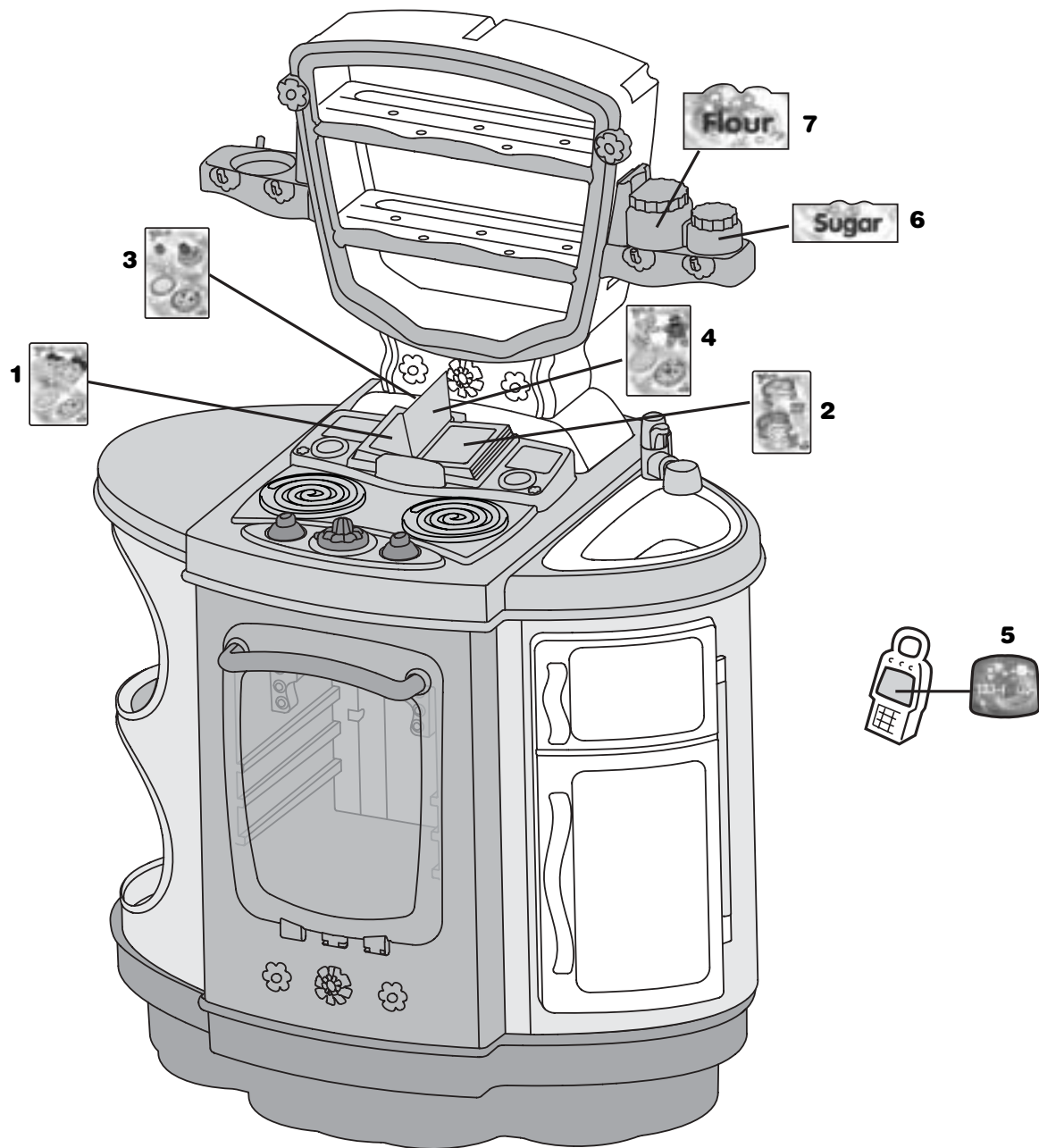


Battery Safety Information

Batteries may leak fluids that can cause a chemical burn injury or ruin your product. To avoid battery leakage:

- Do not mix old and new batteries or batteries of different types: alkaline, standard (carbon-zinc) or rechargeable (nickel-cadmium).
- Insert batteries as indicated inside the battery compartment.
- Remove batteries during long periods of non-use. Always remove exhausted batteries from the product. Dispose of batteries safely. Do not dispose of batteries in a fire. The batteries may explode or leak.
- Never short-circuit the battery terminals.
- Use only batteries of the same or equivalent type, as recommended.
- Do not charge non-rechargeable batteries.
- Remove rechargeable batteries from the product before charging.
- If removable, rechargeable batteries are used, they are only to be charged under adult supervision.

Label Decoration



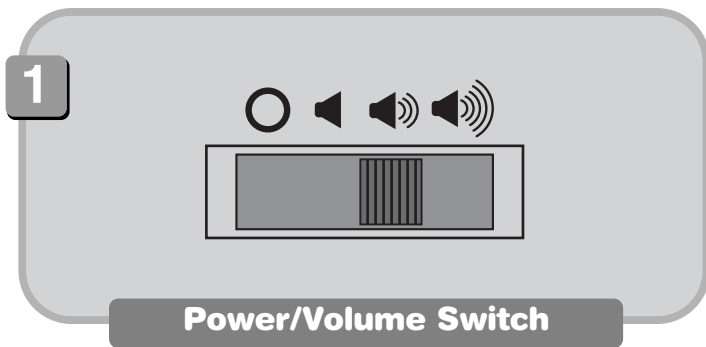
Proper label application will help keep labels looking their best!

When applying labels, keep the following guidelines in mind:

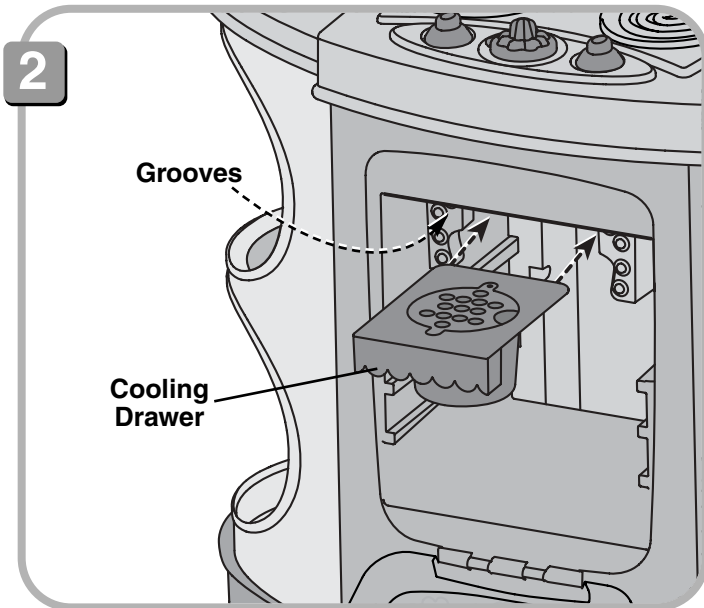
- Wash hands before applying labels.
- Before applying labels, wipe the surface of the toy with a clean, dry cloth to remove dust or oils.
- For best results, avoid repositioning a label once it has been applied.
- Apply labels as shown in the illustration.

One time assembly is now complete.

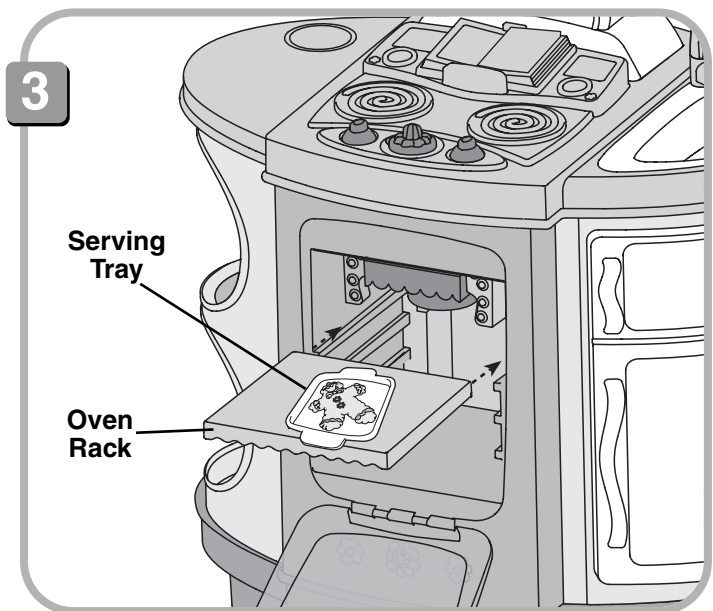
Let's Get Cooking



- Locate the power/volume switch on the back of the kitchen.
- Slide the power/volume switch to either on with no music ; on with low volume ; or on with high volume .
- Slide the switch to off position when the toy is not in use.

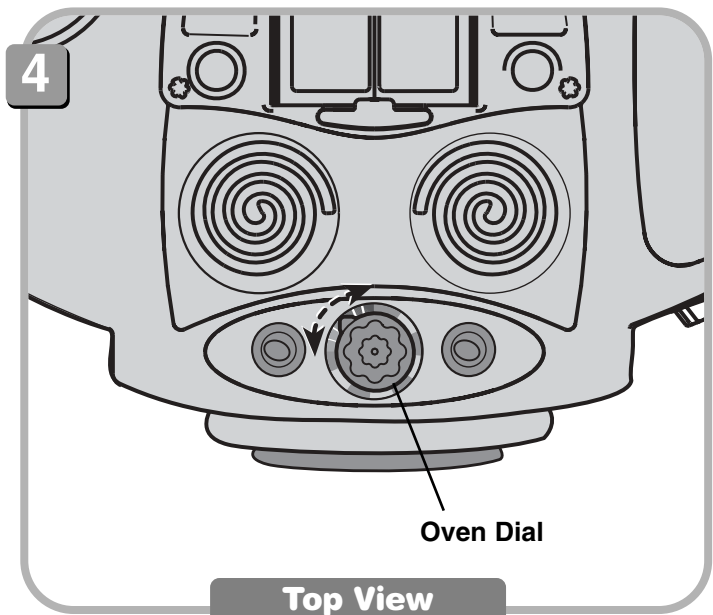


- When you are ready to play, remove the cooling drawer from your freezer. For best results, be sure it is completely frozen.
- Slide the cooling drawer into the grooves near the top of the oven as shown.



- Choose a color change treat you want to bake.
- Place the treat on the serving tray. Set the tray on the oven rack with the treat directly under the cooling drawer.

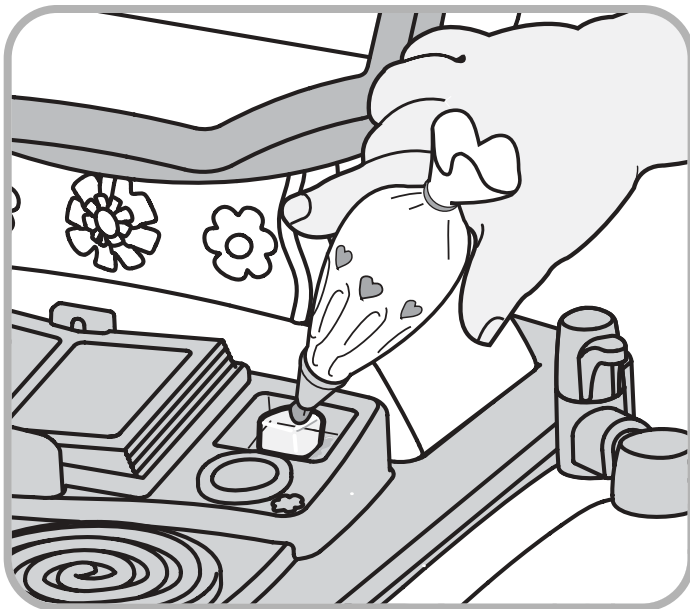
Hint: For best performance, be sure the oven rack is placed in the grooves that position the treat as close as possible to the cooling drawer.



- Turn the oven dial to turn start "baking."
- Lights flash and music plays as the treat "bakes."
- When the treat is ready (about a minute) the music stops and you'll hear a "ding."
- Open the oven and remove your treat. Colored decorations appear on the treat!

How it works: A fan blows cold air from the cooling drawer onto the treat and causes it to change color!

More Decorating Fun



- Place an ice cube into one of the small bins on either side of the cookbook.
- Dip the icing bag into melted ice water and dab treats to change color.

Helpful Hints

- Keep the cooling drawer frozen so it's always ready to go.
- The color change feature works best at a room temperature of 68° - 74° F.
- As the treats warm back up, the color change gradually disappears. "Bake" the treats again to change them back.
- In colder rooms, some color change decorations may not disappear completely. Try warming them by running them under warm water.
- The color change feature lasts longer if you do not expose this toy to intense heat or direct sunlight for prolonged periods of time.
- As the ice melts in the cooling drawer, color changing will be less visible. Refreeze the cooling drawer.
- When battery power is low, the fan will slow down and color changing will be less visible. Replace the batteries with fresh **alkaline** batteries as described in the battery installation section.

Care

- Before using the cooking and eating utensils, hand wash them in hot, soapy water.
- Check the plastic parts regularly and if broken or cracked, dispose of them properly.
- Check all screws regularly to be sure they are tight. If the screws are not tight, tighten them as necessary.
- To clean, wipe the surface of this toy with a mild soap and water solution and clean cloth. Rinse clean with water to remove soap residue. Do not immerse the toy.

FCC Note (United States Only)

Note: This equipment has been tested and found to comply with the limits for a Class B digital device, pursuant to Part 15 of the FCC Rules. These limits are designed to provide reasonable protection against harmful interference in a residential installation. This equipment generates, uses and can radiate radio frequency energy and, if not installed and used in accordance with the instructions, may cause harmful interference to radio communications. However, there is no guarantee that interference will not occur in a particular installation. If this equipment does cause harmful interference to radio or television reception, which can be determined by turning the equipment off and on, the user is encouraged to try to correct the interference by one or more of the following measures:

- Reorient or relocate the receiving antenna.
- Increase the separation between the equipment and receiver.
- Consult the dealer or an experienced radio/TV technician for help.

Note: Changes or modifications not expressly approved by the manufacturer responsible for compliance could void the user's authority to operate the equipment.

Consumer Information

Questions? We'd like to hear from you!

Call Fisher-Price® Consumer Relations, toll-free at **1-800-432-KIDS**, 8 AM - 6 PM EST Monday through Friday. Hearing-impaired consumers using TTY/TDD equipment, please call 1-800-382-7470.

Or, write to: Fisher-Price® Consumer Relations, 636 Girard Avenue, East Aurora, New York 14052.

For other countries outside the United States:

CANADA

Questions? 1-800-567-7724. Mattel Canada Inc., 6155 Freemont Blvd., Mississauga, Ontario L5R 3W2.

GREAT BRITAIN

Mattel UK Ltd, Vanwall Business Park, Maidenhead SL6 4UB, Helpline: 01628 500302.

AUSTRALIA

Mattel Australia Pty. Ltd., 658 Church Street, Locked Bag #870, Richmond, Victoria 3121 Australia. Consumer Advisory Service 1300 135 312.

NEW ZEALAND

16-18 William Pickering Drive, Albany 1331, Auckland.

ASIA

Mattel East Asia Ltd, Room 1106, South Tower, World Finance Centre, Harbour City, Tsimshatsui, HK, China.

Fisher-Price, Inc., a subsidiary of Mattel, Inc., East Aurora, NY 14052 U.S.A.
©2003 Mattel, Inc. All Rights Reserved. ® and ™ designate U.S. trademarks of Mattel, Inc.

Free Manuals Download Website

<http://myh66.com>

<http://usermanuals.us>

<http://www.somanuals.com>

<http://www.4manuals.cc>

<http://www.manual-lib.com>

<http://www.404manual.com>

<http://www.luxmanual.com>

<http://aubethermostatmanual.com>

Golf course search by state

<http://golfingnear.com>

Email search by domain

<http://emailbydomain.com>

Auto manuals search

<http://auto.somanuals.com>

TV manuals search

<http://tv.somanuals.com>