



Product features may vary from the picture above.

**Rock  
& Roll!**

## Owner's Manual with Assembly Instructions

Please read this manual and save it with your original sales receipt.

For Model 76950

Tools needed for assembly: Phillips and Slotted Screwdrivers, Hammer, Pliers and Safety Scissors.

Use only with a Power Wheels® 6 Volt (4.0 Amp/hr.) Battery, Power Wheels® 25 Amp Fuse and Power Wheels® 6 Volt Charger (all included).



**ELECTRIC TOY:** Not recommended for children under 1 year of age.  
As with all electric products, precautions should be observed during handling and use to prevent electric shock.

# Table of Contents

A	Important Information	.2
B	Warnings	.3
C	Parts	.4
D	Parts Diagram	.6
E	Battery Charging	.7
F	Assembly	.9
G	Label Decoration	.15
H	Battery Installation	.16
I	Battery Care and Disposal	.19
J	Rules for Safe Driving	.19
K	Attaching and Removing Your Vehicle from the Base	.21
L	How to Operate Your Vehicle	.23
M	Caring for Your Vehicle	.24
N	Problems and Solutions Guide	.25
O	Statement of Limited Warranty	.28
P	Authorized Service Centers	.28

## A

## Important Information

- The **Rock & Roll** requires adult assembly. Please set aside at least 30 minutes for assembly.
- You must charge your battery for 18 - 30 hours **BEFORE YOU USE YOUR VEHICLE FOR THE FIRST TIME**. We recommend that you start charging your battery before beginning assembly. Please see the Battery Charging section beginning on page 7 for detailed instructions.
- Read this manual carefully for important safety information and operating instructions before using your vehicle.
- Throughout this manual you will find important messages in the form of **WARNINGS, CAUTIONS and NOTES**. **WARNING** signals something that could hurt your child or you. **CAUTION** signals something that can damage the vehicle. **NOTE** is used to highlight useful information.
- This vehicle is designed for use on grass, asphalt or other hard surfaces by children 1 - 3 years of age.
- To prevent damaging the motors and gears, do not tow anything behind the vehicle or overload it. Do not exceed the maximum weight capacity of 40 lbs.
- If you have any questions about your Power Wheels® vehicle, please call our toll-free service lines at **1-800-348-0751** from 8 AM to 6 PM (EST) Monday through Friday. Trained customer service representatives are available to take your call in English or French. Habla Español? Si usted tiene alguna pregunta ó necesita asistencia llame gratis **1-800-348-0755** para los Estados Unidos. Tenemos representantes que hablan español para atender su llamada.
- For your convenience, Power Wheels® maintains an Authorized Service Center Network with more than 400 authorized service centers nationwide. Our authorized service centers will repair or replace parts under warranty at no extra charge, and can perform non-warranty repairs for a minimal charge. Please see the Authorized Service Center list beginning on page 28 to find the authorized service center nearest to you, or call **1-800-348-0751**.
- Please complete and return the enclosed Registration Card today, or call **1-800-348-0751** to register your vehicle by phone.



### CAUTION

Use the charger indoors only.

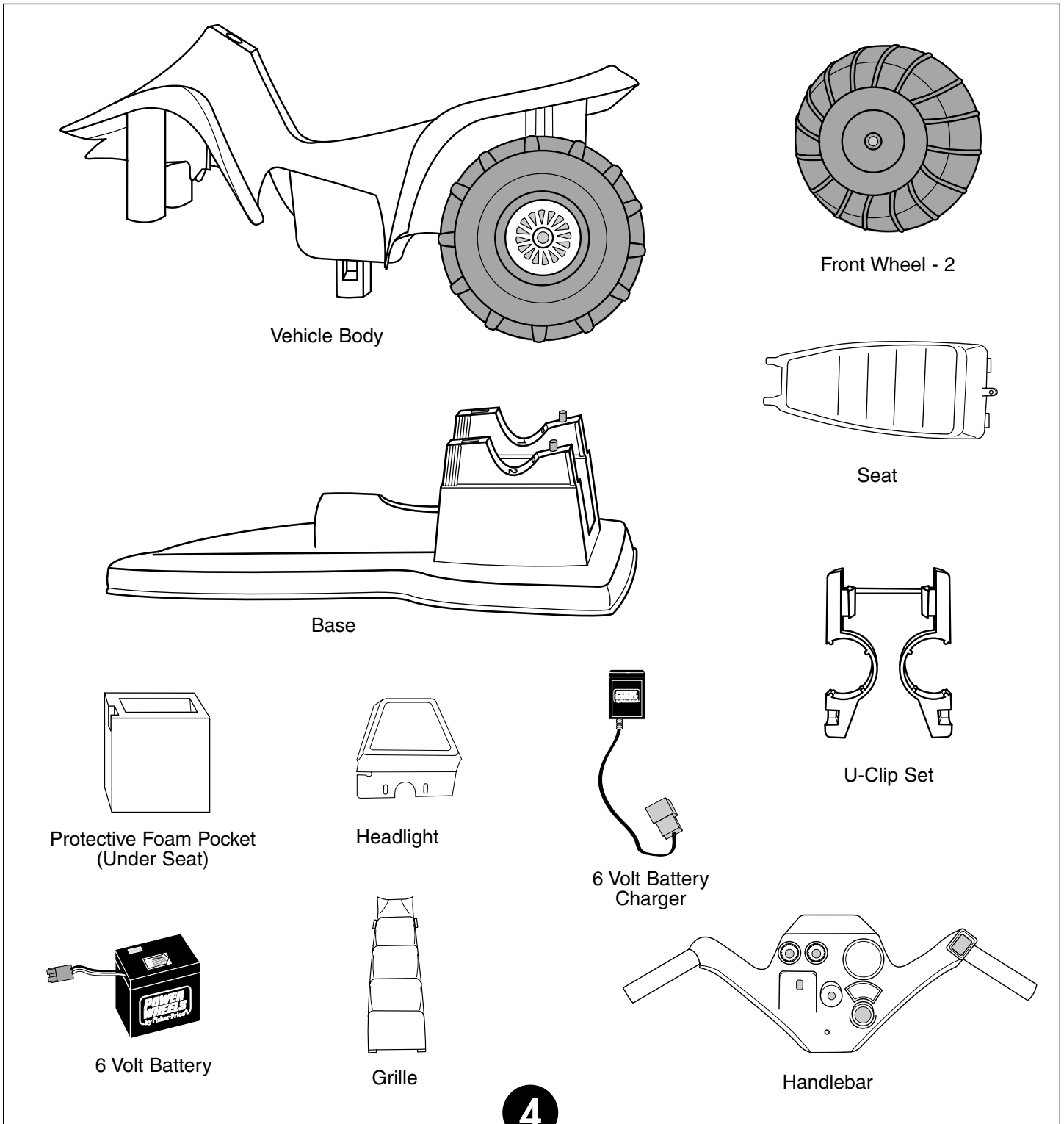
 **WARNING**

- Children can be harmed by small parts, sharp edges and sharp points in the vehicle's unassembled state, or by electrical items. Care should be taken in unpacking and assembly of the vehicle. Children should not handle parts, including the battery, or help in assembly of the vehicle.
- Keep small parts and plastic bags out of children's reach. Dispose of plastic bags properly.
- Adult supervision is required. Children do not have the judgement necessary to avoid many accidents. Be sure that children operating this vehicle can do so safely and that they are supervised at all times.
- Never use near steps, driveways, steep inclines, roadways, alleys, swimming pool areas or other bodies of water.
- Always wear shoes or sneakers when operating this vehicle.
- Never allow more than one rider.
- The rider should sit on the seat when the vehicle is in operation.
- **Hot** motor cover. Handle carefully.
- Never alter this vehicle or its electrical system in any way. Alterations could cause a fire resulting in injury and could also ruin the electrical system.
- Use of the wrong type battery, fuse or charger could cause a fire or explosion, resulting in serious injury.
- Use of Power Wheels® components in products other than Power Wheels® vehicles could cause overheating, fire or explosion.
- The battery must be handled by adults only. The battery is heavy and contains sulfuric acid (electrolyte). Dropping the battery could result in serious injury.
- Never lift or carry the battery by the wires or connector. This can damage the battery and possibly cause a fire resulting in injury. Lift and carry the battery by the case only.
- Read the cautions on the back panel of the battery.
- Never allow children to charge the battery. Battery charging must be done by adults only. A child could be injured by the electricity involved in charging the battery.
- Examine the battery, charger and their connectors for excessive wear or damage each time you charge the battery. If damage or excessive wear is detected, do not use the vehicle until you have replaced the worn or damaged part as it could possibly cause a fire resulting in injury.

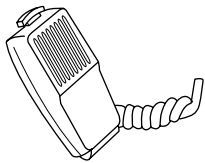
# C

## Parts

- If you experience a problem with this product or are missing a part, please call us at **1-800-348-0751** rather than return this product to the store.
- Please identify all parts before assembly and save all packaging material until assembly is complete to ensure that no parts are discarded.
- Metal parts have been coated with a lubricant to protect them during shipment. Wipe all metal parts with a paper towel to remove any excess lubricant.



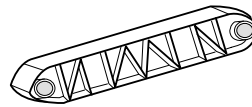
# Parts



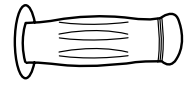
Microphone



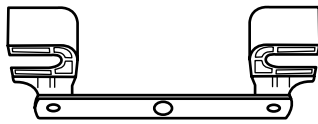
Footrest - 2



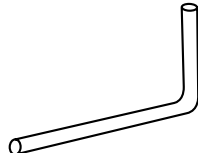
Footrest Support



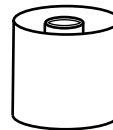
Handgrip - 2



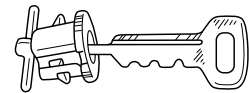
Steering Linkage



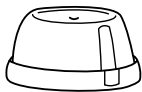
Front Axle - 2



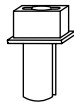
Collar - 2



Key Assembly



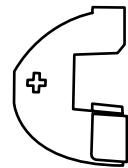
Cap Nut - 7\*



Square Bushing - 3



Handlebar Wire Harness



T-Slider



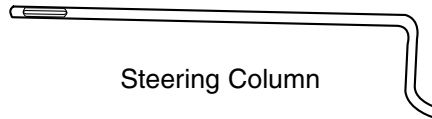
Round Bushing - 2



25 Amp Fuse - 2\*



Knob - 2



Steering Column

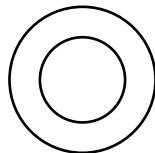


Battery Retainer

Not Shown: Label Sheet



Lock Nut - 2



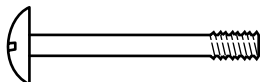
Washer - 2



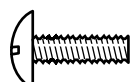
#8 x 1/2" Screw - 3



#10 x 3/4" Screw - 2



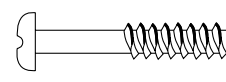
#10 x 1 1/4" Bolt - 2



#10 x 1/2" Bolt



#8 x 7/8" Screw - 2



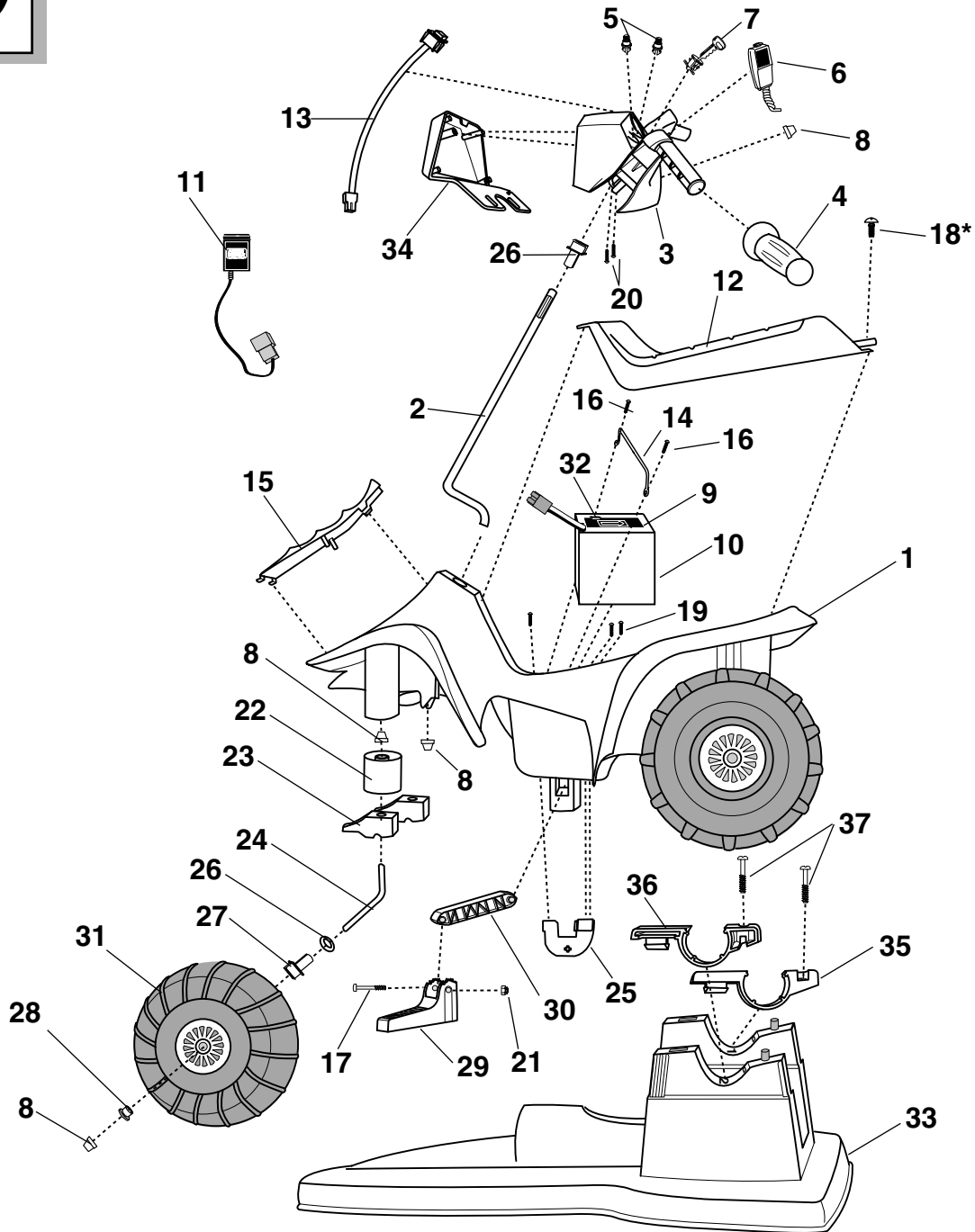
#8 x 1" Screw - 2

**All Shown Actual Size**

\*For your convenience, an extra cap nut and an extra 25 amp fuse have been included.

# D

## Parts Diagram



- |                               |                               |                        |
|-------------------------------|-------------------------------|------------------------|
| 1. Vehicle Body (with Base)   | 15. Grille                    | 26. Washer - 2         |
| 2. Steering Column            | 16. #8 x 7/8" Screw - 2       | 27. Square Bushing - 3 |
| 3. Handlebar                  | 17. #10 x 1 1/4" Bolt - 2     | 28. Round Bushing - 2  |
| 4. Handgrip - 2               | 18. #10 x 1/2" Bolt           | 29. Footrest - 2       |
| 5. Knobs - 2                  | (Not required for all models) | 30. Footrest Support   |
| 6. Microphone                 | 19. #8 x 1/2" Screw           | 31. Front Wheel - 2    |
| 7. Key Assembly               | 20. #10 x 3/4" Screw - 2      | 32. 25 Amp Fuse        |
| 8. Cap Nut - 4                | 21. Lock Nut - 2              | 33. Base               |
| 9. 6 Volt (4 Amp/hr.) Battery | 22. Collar - 2                | 34. Headlight          |
| 10. Foam Pocket               | 23. Steering Linkage          | 35. U-Clip #2          |
| 11. 6 Volt Charger            | 24. Front Axle - 2            | 36. U-Clip #1          |
| 12. Seat                      | 25. T-Slider                  | 37. #8 x 1" Screw - 2  |
| 13. Handlebar Wire Harness    |                               | Not Shown: Label Sheet |
| 14. Battery Retainer          |                               |                        |

# E

## Battery Charging

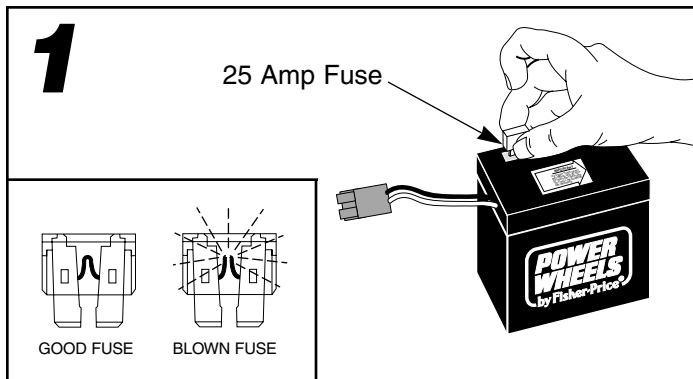


### WARNING

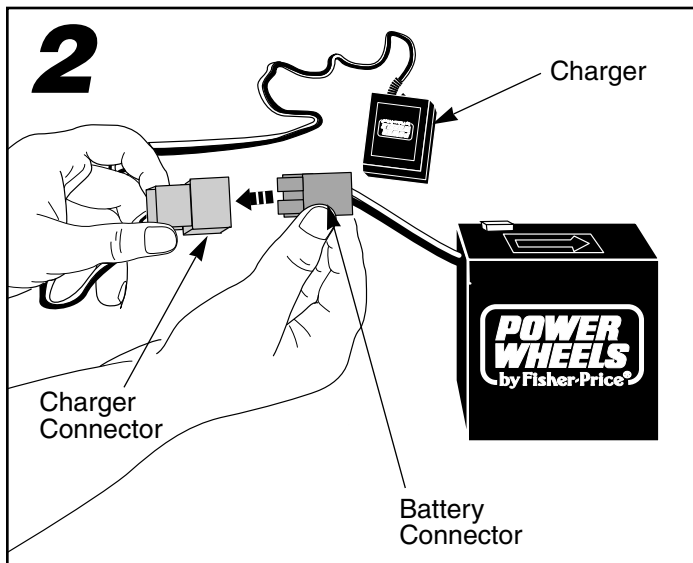
- The battery must be handled by adults only. The battery is heavy and contains sulfuric acid (electrolyte). Dropping the battery could result in serious injury.
- Never allow children to charge the battery. Battery charging must be done by adults only. A child could be injured by the electricity involved in charging the battery.
- Use of the wrong type battery, fuse or charger could cause a fire or explosion, resulting in serious injury.
- Use of Power Wheels® components in products other than Power Wheels® vehicles could cause overheating, fire or explosion.
- Read the cautions on the back panel of the battery.
- Never lift or carry the battery by the wires or connectors. This can damage the battery and possibly cause a fire. Lift and carry the battery by the case only.
- Examine the battery, charger and their connectors for excessive wear or damage each time you charge the battery. If damage or excessive wear is detected, do not use the charger or the vehicle until you have replaced the worn or damaged part.
- Never alter this vehicle or its electrical system in any way. Alterations could cause a fire resulting in injury and could also ruin the electrical system.

# Battery Charging

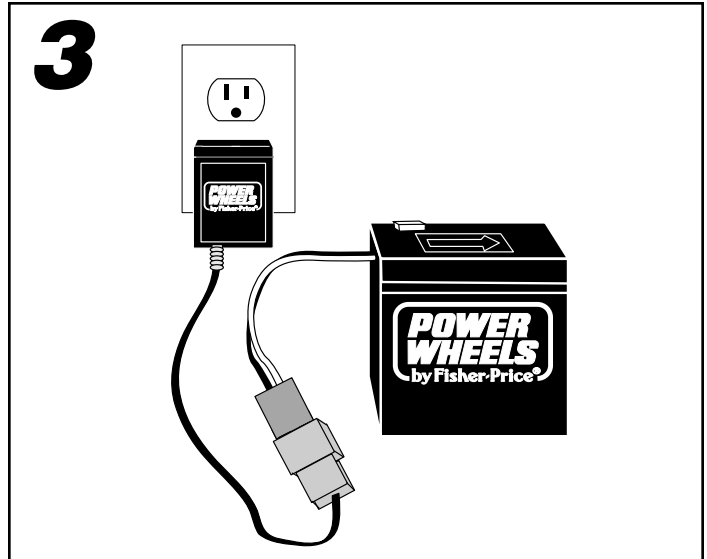
- Your new battery must be charged for at least 18 hours before you use it in your vehicle for the first time.
- We recommend that you start charging your battery before beginning assembly of your new vehicle.
- The battery must be upright while charging.
- Do not short circuit the battery.
- You do not need to remove the battery from your vehicle to recharge it.
- Use only a Power Wheels® 6 volt charger (120 VAC 60 Hz 6W with an output of 6 VDC (400mA) to charge your Power Wheels® 6 volt (4 Amp/hr.) battery.



- If you are charging the battery for the first time, insert a 25 amp fuse into the battery. The battery will not charge unless a 25 amp fuse in good condition is installed.
- If you are recharging your battery, make sure the 25 amp fuse already installed in the battery is in good condition. Use pliers to remove the fuse from the battery. Look at the fuse to make sure it has not blown. Replace a blown fuse with a new Power Wheels® 25 amp fuse.



- Plug the battery connector into the charger connector.
- IMPORTANT NOTE!** If you are recharging your battery, you will first need to disconnect the battery connector from the motor harness connector under the seat of your vehicle.



- Plug the charger into a standard 120 volt wall outlet.
- Note:** If power flow to the wall outlet is controlled by a switch, make sure the switch is "ON".
- Before first time use, charge the battery for **at least 18 hours**. Never charge the battery longer than 30 hours.
- Note:** The battery must be upright while charging.
- Recharge the battery after each use of your vehicle for at least 18 hours. Do not charge the battery longer than 30 hours.
  - Once the battery is charged, disconnect the charger connector from the battery connector. Unplug the charger from the wall outlet. The battery is now ready to be installed in your vehicle. Please see the Battery Installation section on page 16 for detailed instructions on installing your battery. If your battery is already installed in your vehicle, simply re-connect the battery connector and motor harness connector and re-assemble the seat to the vehicle. Always remember to lock the seat using the lock fastener or bolt to prevent children from accessing the battery.



**CAUTION**

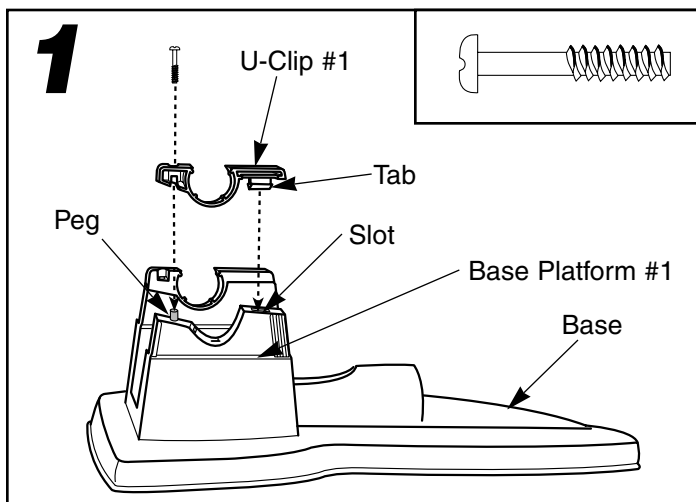
Use the charger indoors only.



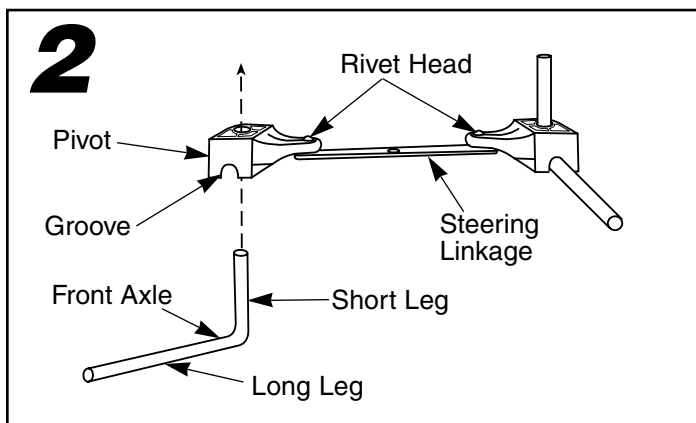
# F

## Assembly

Do Not Omit Any Steps



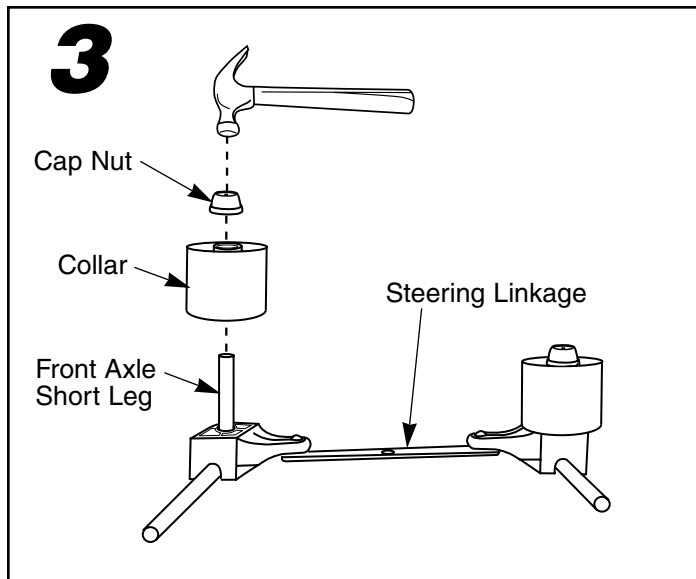
- Using safety scissors, separate the U-clips from the plastic connector. Dispose of the plastic connector.
- The U-clips and base platforms are marked with a "1" or a "2". Note the markings on the U-clips and base platforms.
- Snap the tab on U-clip #1 into the slot in base platform #1.
- Insert a #8 x 1" screw through the U-clip and into the base platform.
- Tighten the screw with a Phillips screwdriver. Do not over-tighten.
- Repeat this procedure to assemble U-clip #2 to base platform #2.



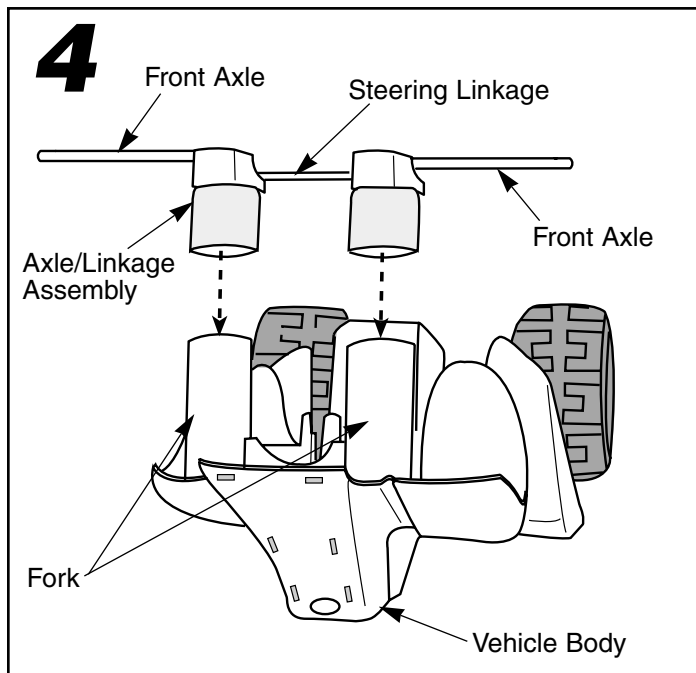
- Position the steering linkage with the two rivet heads facing up.
- Insert the short leg of a front axle up through the hole in the pivot at one end of the steering linkage. Make sure the axle's long leg fits into the groove in the bottom of the pivot.

**Helpful Hint:** You may need to tap the front axle with a hammer to fit the long leg in the groove.

- Repeat this procedure to fit the remaining front axle to the steering linkage.



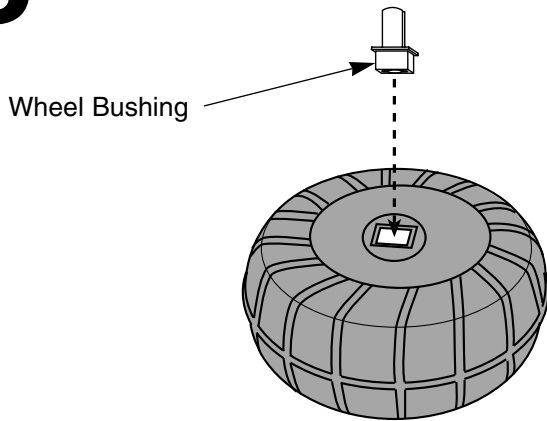
- Fit a collar, solid end first, onto the short leg of a front axle.
- Fit a cap nut onto the end of the axle's short leg.
- Tap the cap nut with a hammer to secure it on the end of the front axle.
- Repeat this procedure to assemble the remaining collar and cap nut to the other front axle.



- Turn the vehicle body upside down.
- Fit the collars on the steering linkage assembly onto the fork on the vehicle body as shown. **Make sure the front axles are towards the front of the vehicle and the steering linkage is toward the rear of the vehicle.**

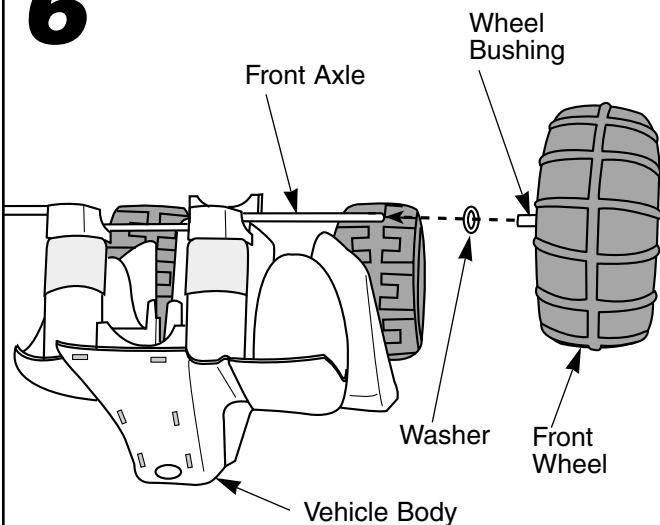
# Assembly

## 5



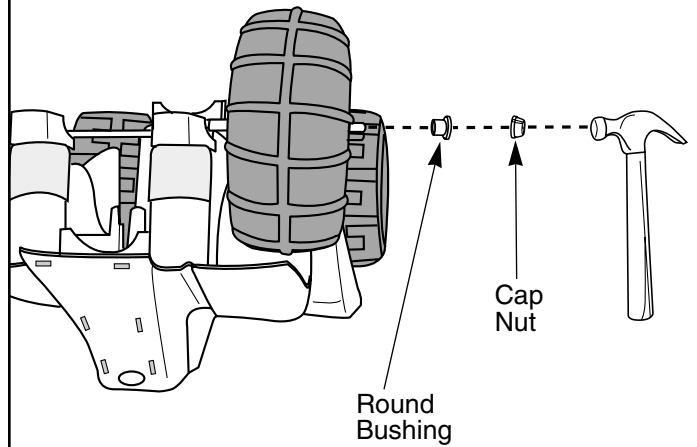
- Fit a wheel bushing into the rectangular opening in each front wheel.

## 6



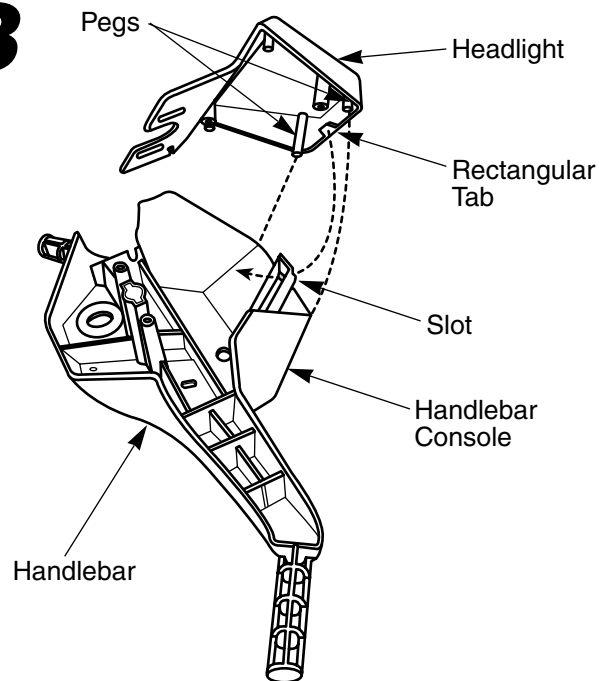
- Fit a washer onto one of the front axles.
- Slide a front wheel, bushing side first, onto the front axle.

## 7



- Slide a round bushing onto the front axle and press it into the center of the front wheel.
- Fit a cap nut onto the end of the front axle.
- Tap the cap nut with a hammer to secure it on the front axle.
- Repeat assembly steps 6 and 7 to assemble the other front wheel to the other front axle.
- Position the vehicle body upright.

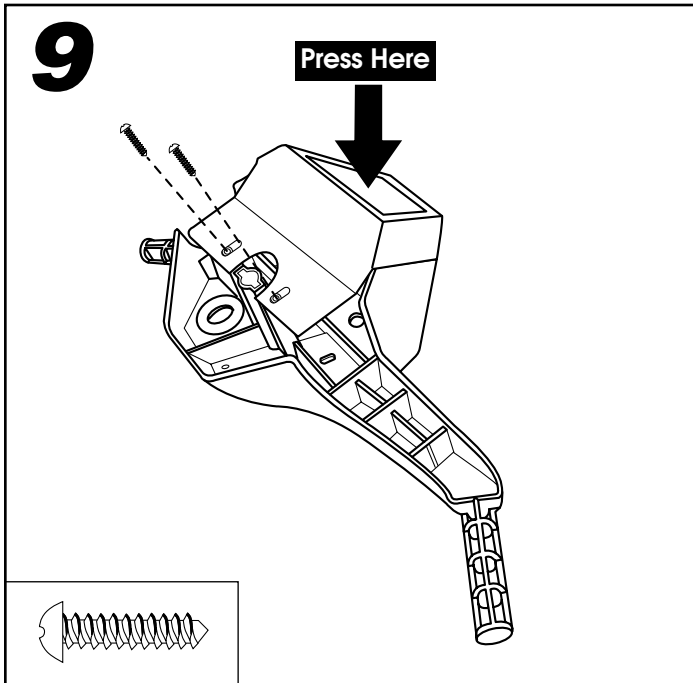
## 8



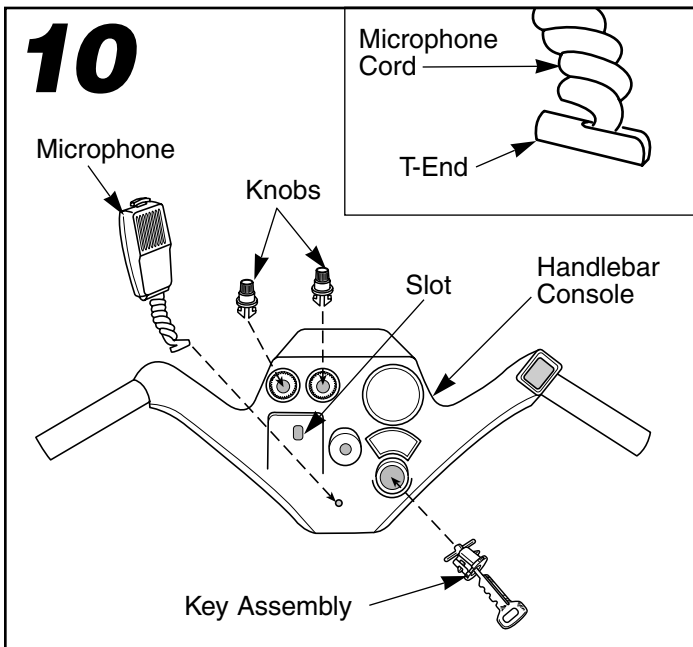
- Fit the rectangular tab on the back of the headlight into the slot at the back of the handlebar console. **Make sure the pegs in the top corners of the headlight fit into the handlebar console.**

## 10

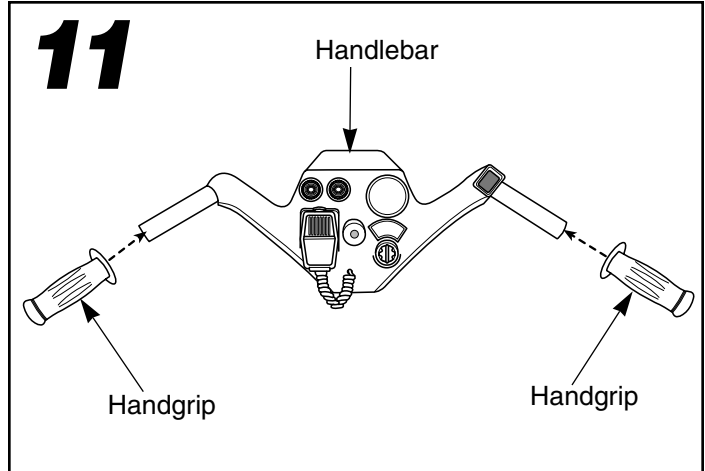
# Assembly



- Insert two #10 x  $\frac{3}{4}$ " screws through the slots in the headlight and into the pegs in the handlebar.
- Press firmly on the front of the headlight and tighten each screw with a Phillips screwdriver. Make sure there is no gap between the headlight and the handlebar.

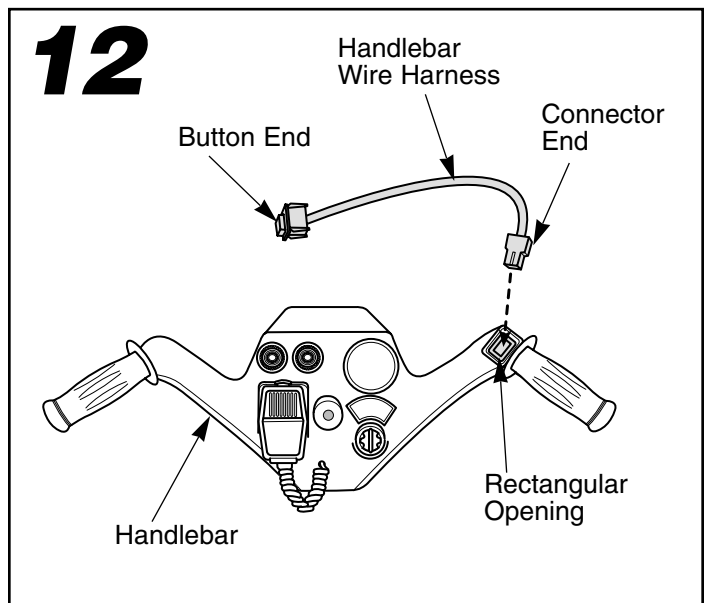


- Snap the knobs and key assembly into the handlebar console.
- Bend the end of the microphone cord so that it forms a "T".
- Insert the end of the microphone cord through the small hole in the handlebar console.
- Fit the tab on the back of the microphone into the slot in the handlebar console.



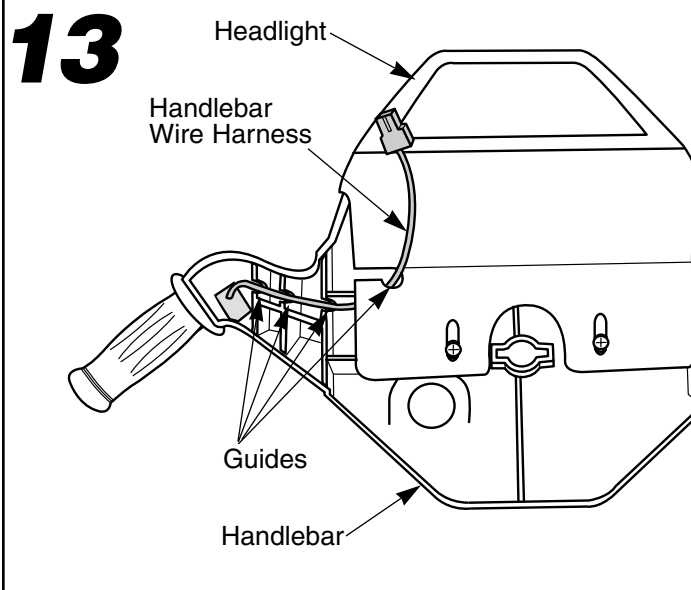
- Fit a handgrip onto each end of the handlebar.

**Helpful Hint:** If the handgrips are difficult to slide onto the handlebar, moisten the handgrips with warm water before fitting them onto the handlebar.

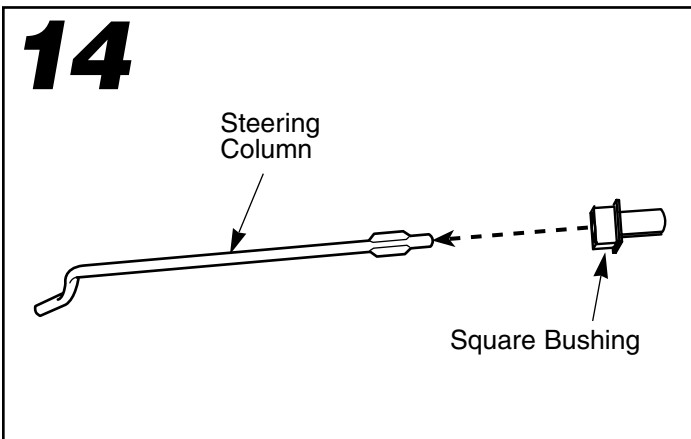


- Insert the connector end of the handlebar wire harness into the rectangular opening in the handlebar.
- Feed the handlebar wire harness through the handlebar.
- Push firmly on the button end of the handlebar wire harness to snap it into the rectangular opening.

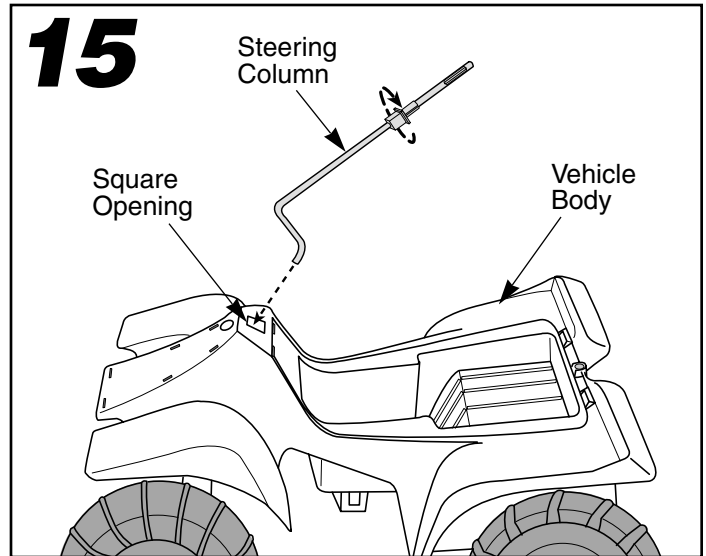
# Assembly



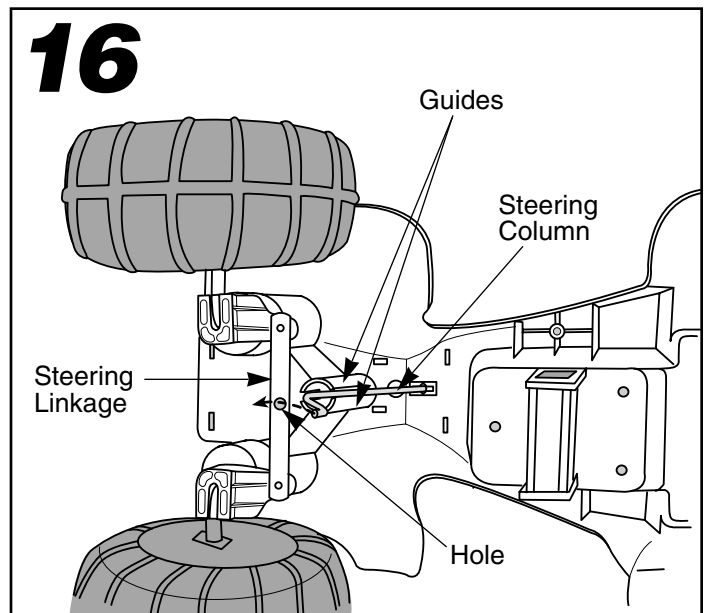
- Turn the handlebar assembly upside down.
- Align the handlebar wire harness with the guides on the underside of the handlebar and the guide at the bottom of the headlight.
- Push firmly on the handlebar wire harness near each of the guides to secure the wire in the underside of the handlebar assembly.
- Set the handlebar assembly aside.



- Wipe the steering column with a paper towel to remove any dirt or oils.
- Slide a square bushing onto the straight end of the steering column.

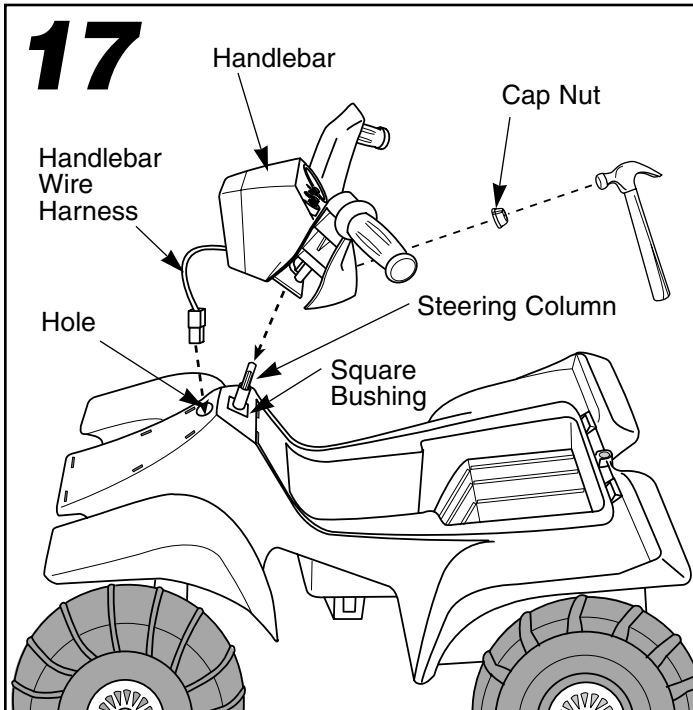


- Insert the curved end of the steering column through the square opening in the vehicle body.
- Rotate the square bushing  $\frac{1}{4}$  turn to slide it over the tabs on the steering column and into the square opening in the vehicle body.

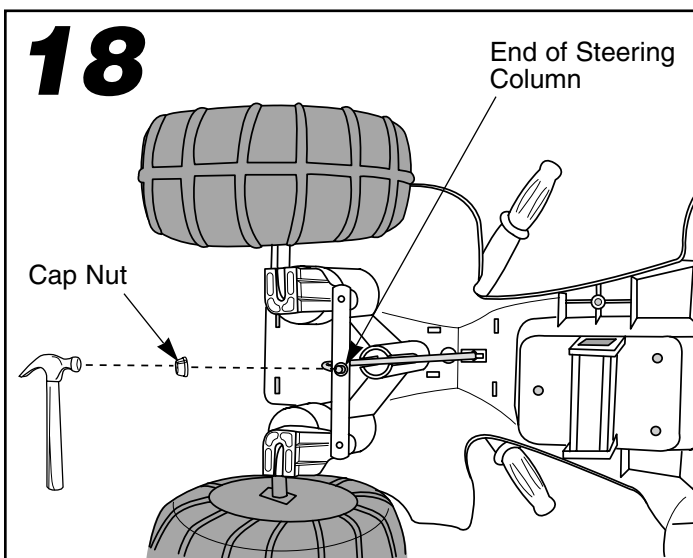


- Turn the vehicle body on its side.
- Insert the curved end of the steering column into the hole in the steering linkage. **Make sure the steering column is positioned between the guides on the underside of the vehicle body.**

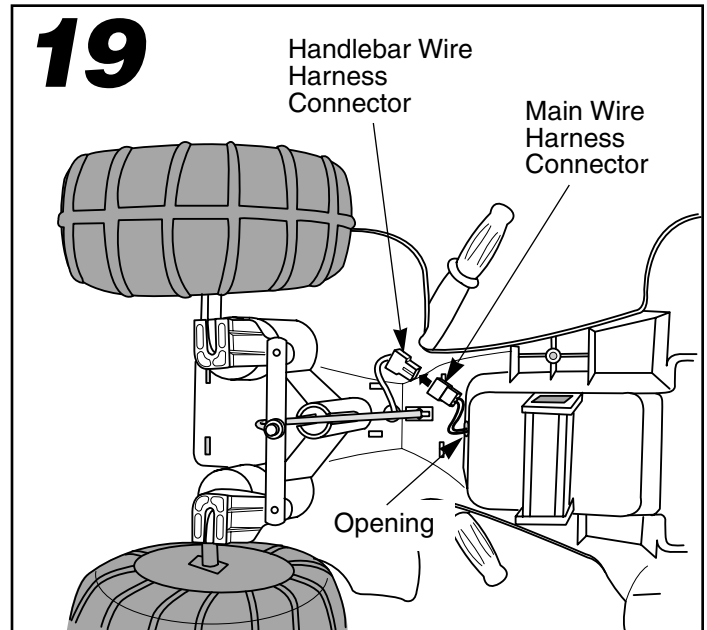
# Assembly



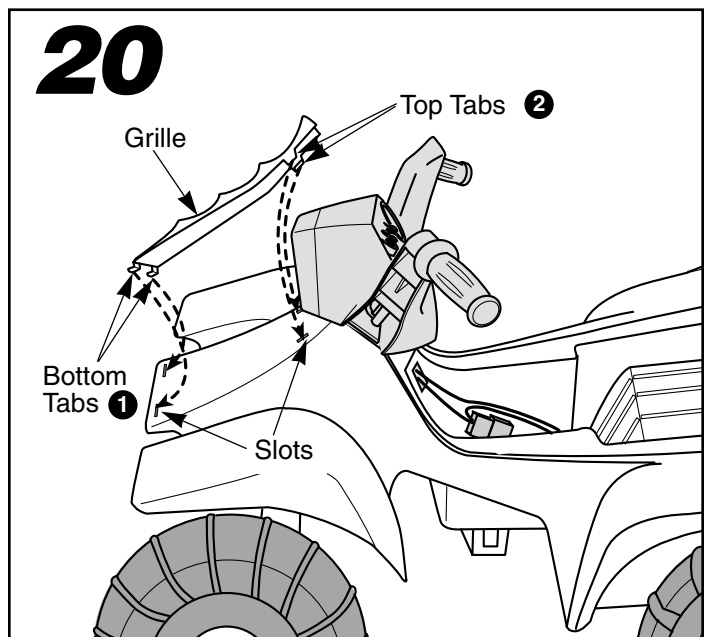
- Position the vehicle body upright.
  - While fitting the handlebar onto the end of the steering column, insert the end of the handlebar wire harness through the hole in the front of the vehicle body.
  - Fit a cap nut onto the end of the steering column.
- Helpful Hint:** You may need the help of another person to support the curved end of the steering column near the steering linkage to fit and secure the cap nut on the straight end of the steering column.
- Tap the cap nut with a hammer to secure it on the end of the steering column.



- Turn the vehicle body on its side.
- Fit a cap nut on the end of the steering column.
- Tap the cap nut with a hammer to secure it on the end of the steering column.



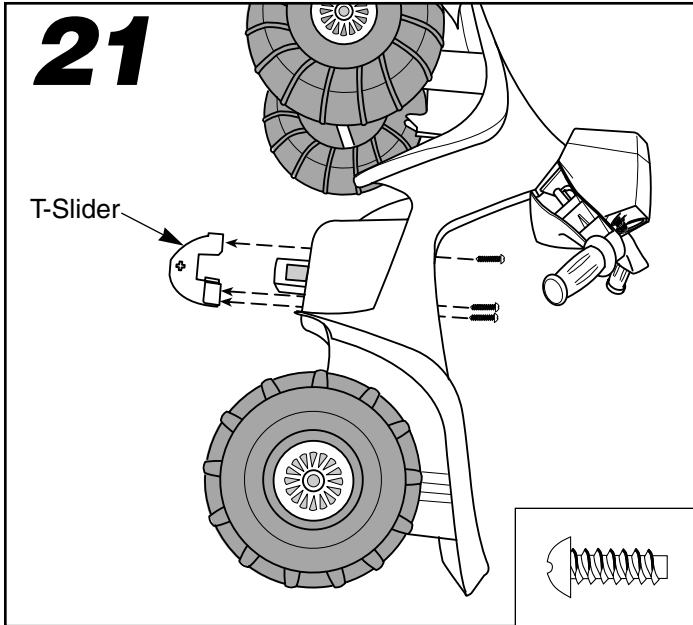
- Insert the wire connector on the main wire harness through the large opening in the center of the vehicle body.
- Plug the main wire harness connector and the handlebar wire harness connector together.



- Position the vehicle body upright.
- Fit the bottom tabs on the grille into the slots in the front of the vehicle body 1.
- Press firmly to snap the bottom tabs into the slots.
- Press firmly near the top of the grille to snap the top tabs into the slots 2.

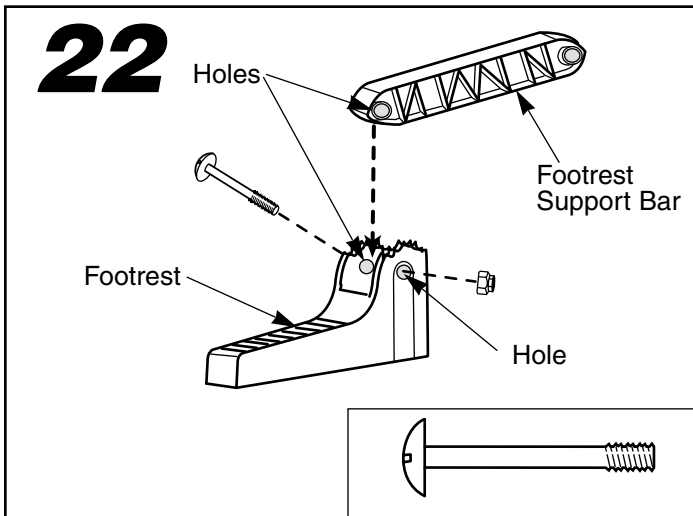
**Please Note:** You may need to flex the grille slightly to fit it under the handlebar assembly. The grille may have an additional tab. Press firmly in the middle of the grille to snap the tab into the vehicle body.

# Assembly

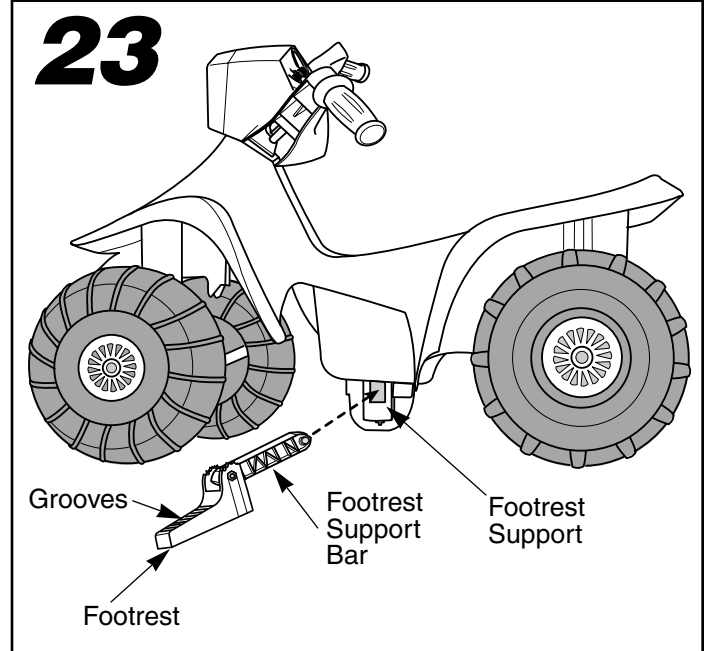


**Please Note:** If you have not removed the protective foam pocket from the battery compartment, please remove it and set it aside for later use. Remove any excess tape from the vehicle and protective foam pocket and discard of the tape properly.

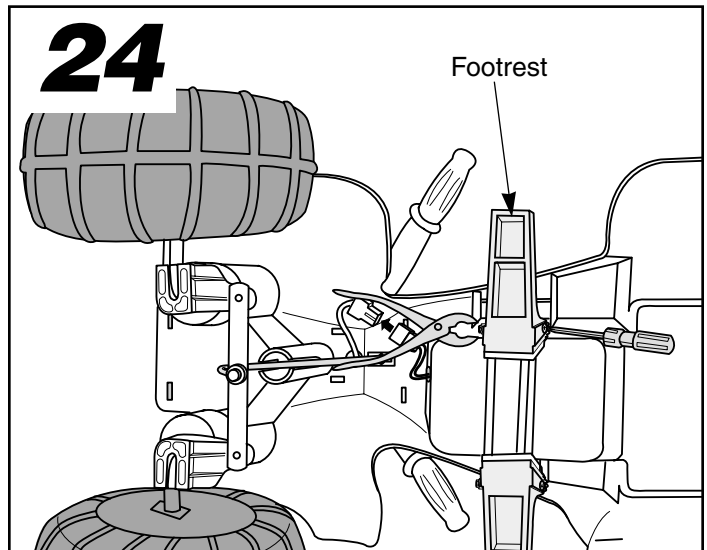
- Stand the vehicle body on its rear wheels.
- Align the holes in the T-slider with the holes in the underside of the vehicle body, directly under the battery compartment.
- Insert three #8 x 1/2" screws through the floor of the battery compartment and into the T-slider.
- Tighten the screws with a Phillips screwdriver. Do not over-tighten.
- Position the vehicle body upright.



- Align the holes in a footrest with the holes in one end of the footrest support bar.
- Insert a #10 x 1/4" bolt through the footrest and footrest support bar.
- Fit a lock nut onto the end of the bolt and hand-tighten it.



- Insert the footrest support bar through the footrest support at the bottom of the vehicle body. **Make sure the grooves on the footrest face up.**
- Align the holes in the other footrest with the holes on the other side of the footrest support and repeat assembly step 22 on the other side of the footrest support.



- Turn the vehicle body on its side.
- Using a Phillips screwdriver to steady the screw and pliers to grip the lock nut, continue to tighten the bolt and lock nut on each footrest.
- Turn the vehicle body upright.

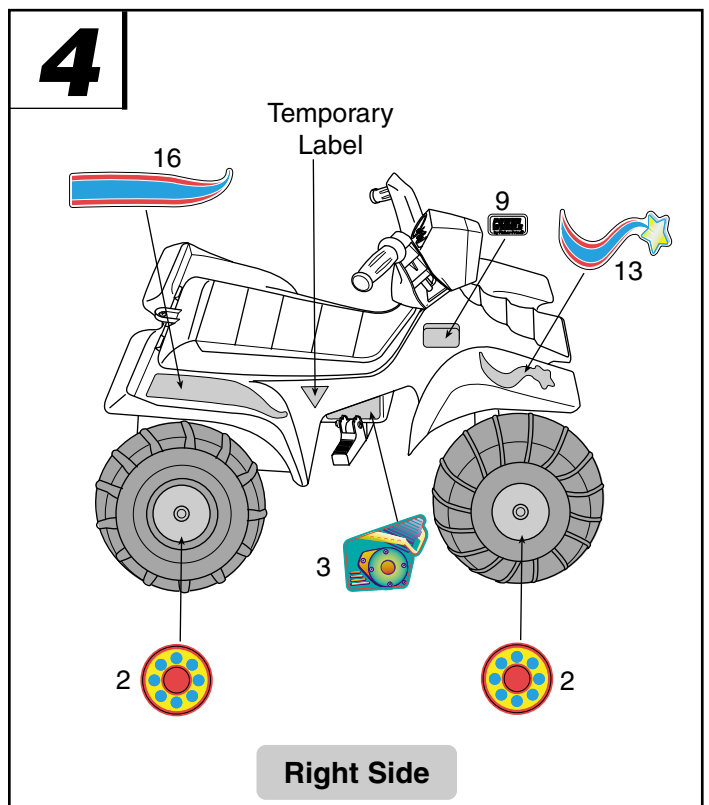
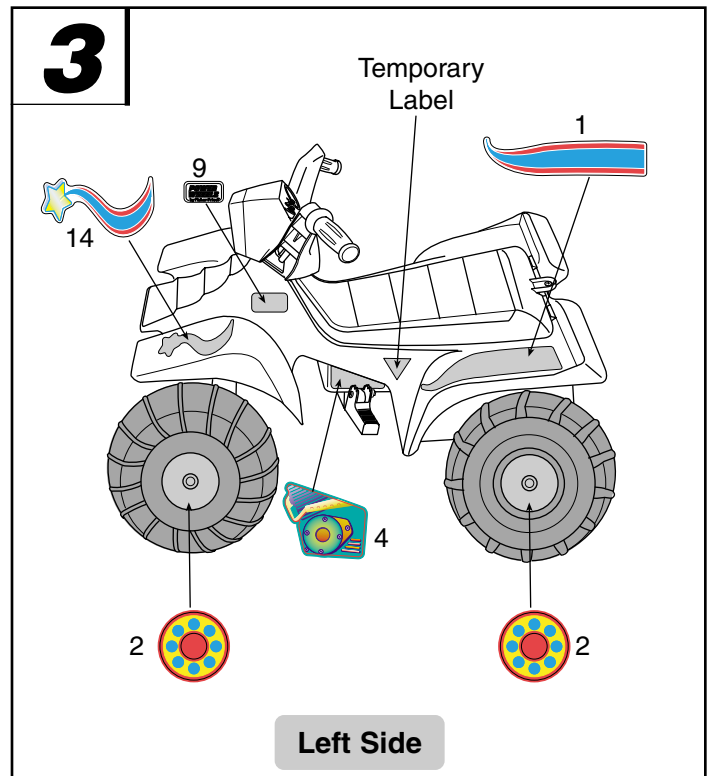
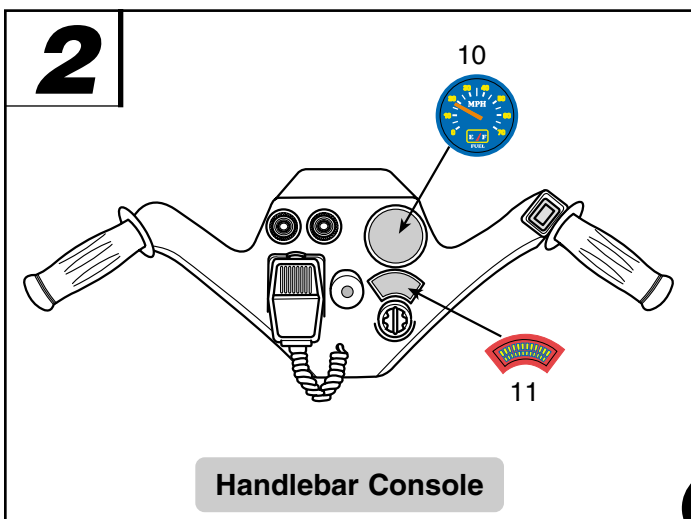
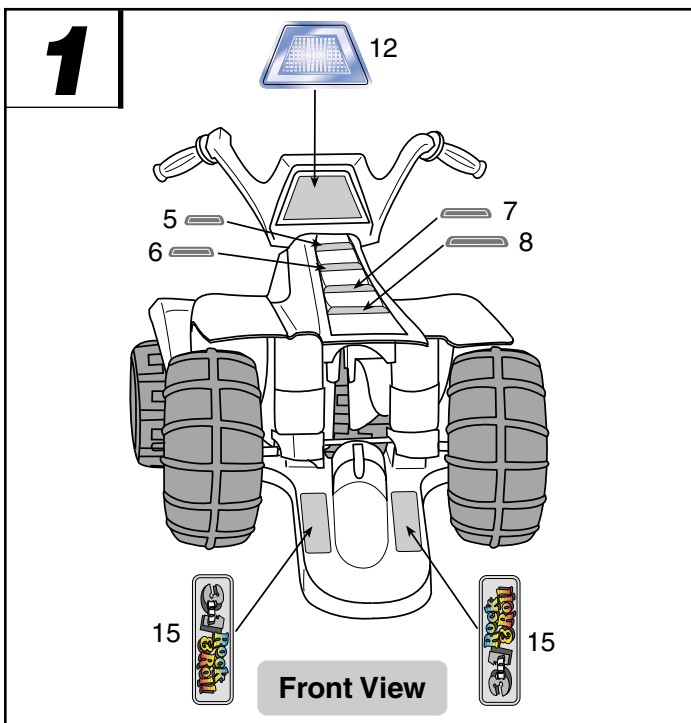
**One time assembly is now complete. Do not assemble the seat until after you have charged and installed the battery in the vehicle. Please refer to the Battery Installation section beginning on page 16 for instructions.**

# G

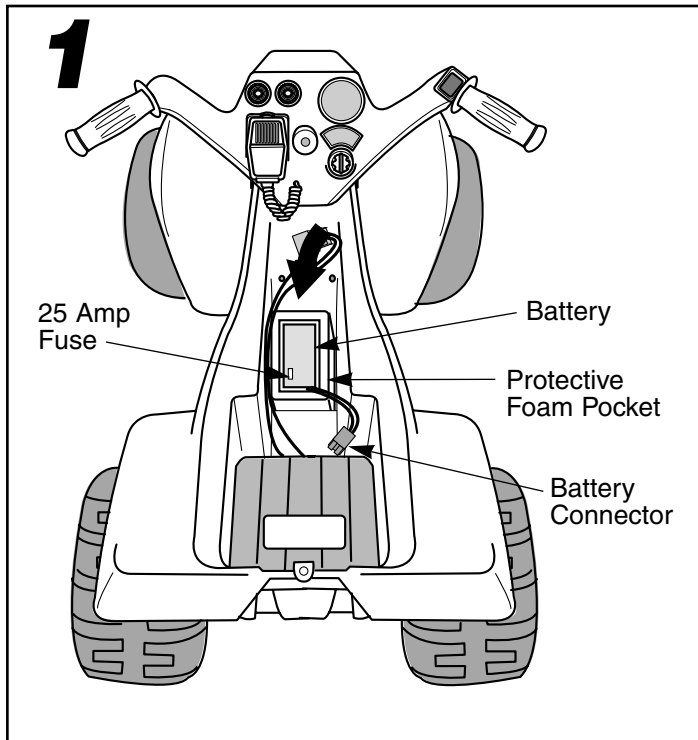
## Label Decoration

Proper label application will help to keep the labels looking their best!

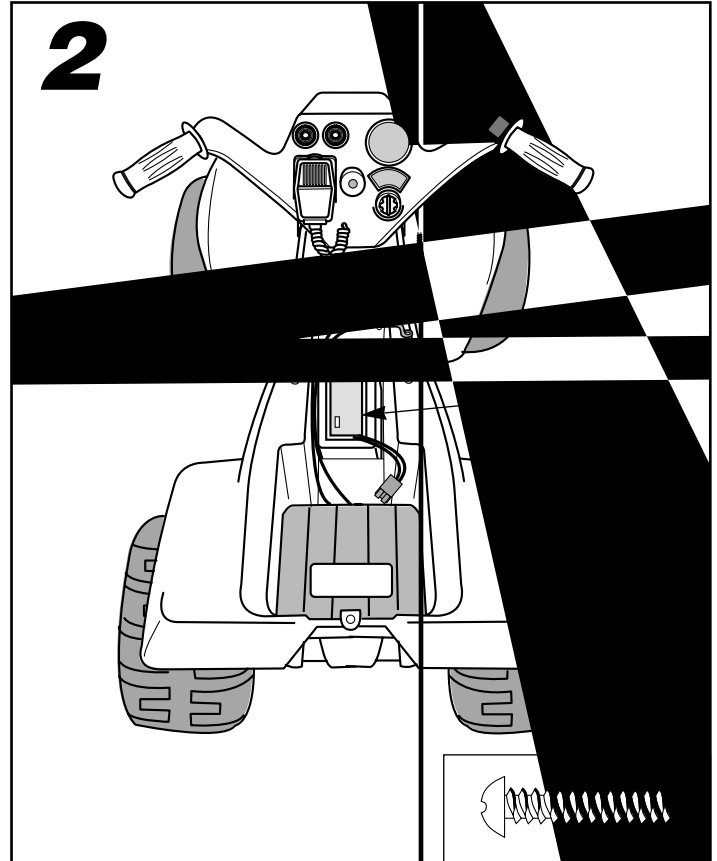
- Please remove and discard the temporary labels adhered to the sides of the vehicle.
- Wash your hands before applying the labels.
- Make sure the areas where the labels will be applied are clean and dry. Wipe your vehicle with a clean, soft, dry cloth to remove any dust or oils.
- For best results, avoid repositioning a label once it has been applied to the vehicle.
- Apply the labels as shown in the illustrations.
- **After applying each label, rub the label firmly with a clean, dry cloth to make sure the label is adhered to your vehicle.**



**Important Note:** Use only a Power Wheels® 6 volt (4 Amp/hr.) battery with a Power Wheels® 25 amp fuse installed. Use of any other battery or fuse will damage your vehicle. Make sure that you charge the battery for at least 18 hours using the enclosed Power Wheels® 6 volt charger before operating your vehicle for the first time. Charge the battery for at least 18 hours after each use of the vehicle. Never charge the battery longer than 30 hours. Failure to follow these instructions may damage your battery and will void your warranty.



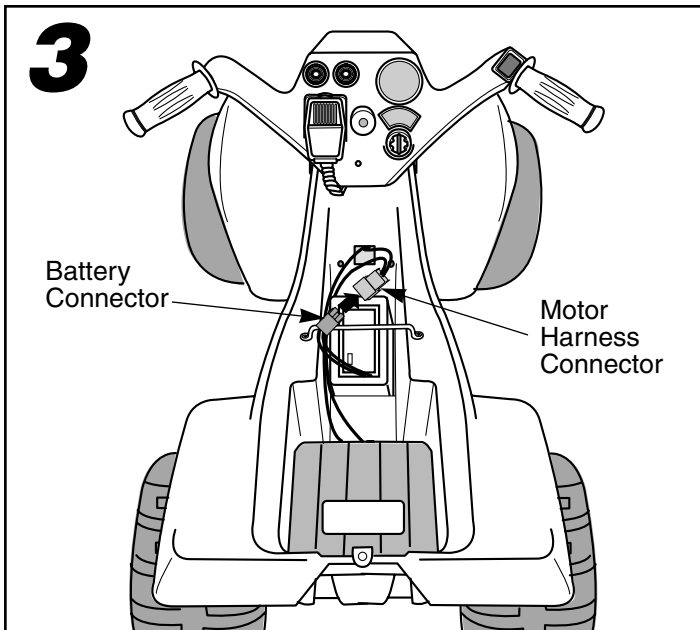
- Fit the battery into the protective foam battery pocket.
- Place the battery upright in the battery compartment. **Do not place the battery in the battery compartment without the protective foam pocket.** Make sure the battery connector extends toward the rear of the vehicle.
- Make sure a Power Wheels® 25 amp fuse in good condition is installed in the battery.



- Position the battery retainer over the battery with the ends of the battery retainer aligned with the screw holes in the vehicle body.
- Insert two #8 x 7/8" screws through the ends of the battery retainer and into the vehicle body.
- Tighten the screws with a Phillips screwdriver. Do not over-tighten.

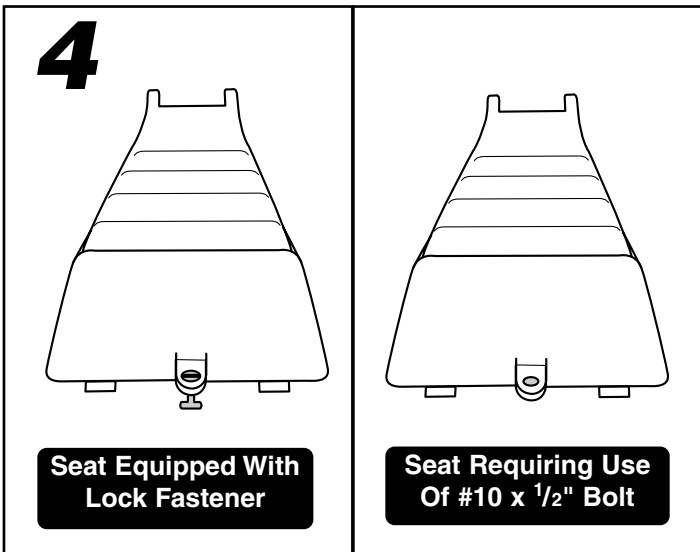


# Battery Installation

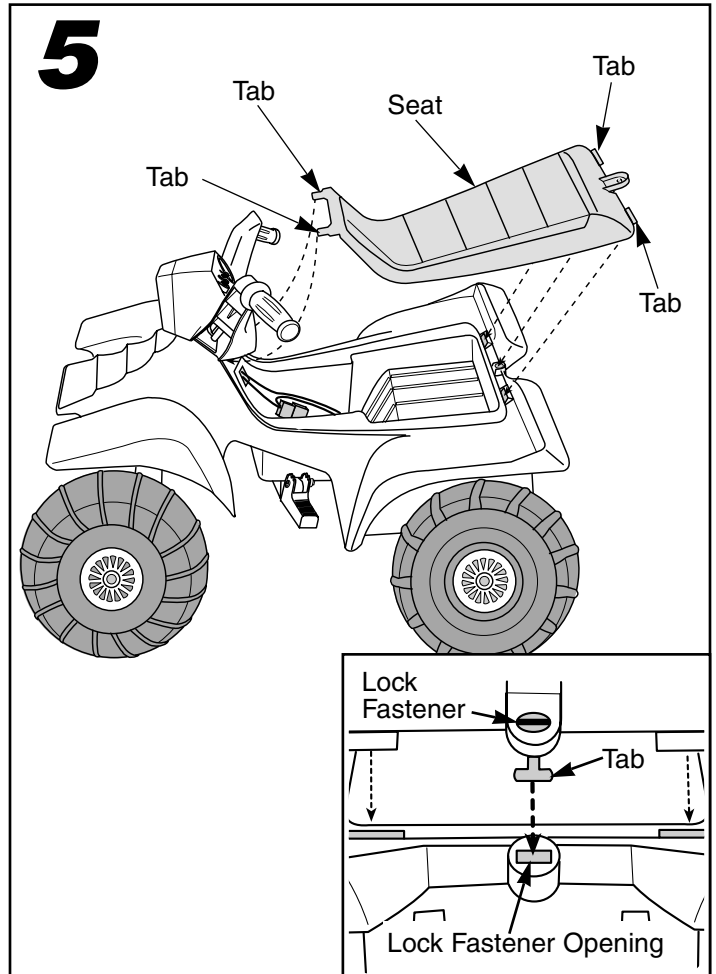


- Plug the battery connector into the motor harness connector.

**Note:** If the battery connector will not plug into the motor harness connector, turn it over and try again! Do not force the battery connector into the motor harness connector.



- Determine whether the seat on your vehicle is equipped with a lock fastener or requires use of the #10 x 1/2" bolt, found in the Small Parts bag, to lock the seat. If your vehicle seat is equipped with a lock fastener, please properly dispose of the #10 x 1/2" bolt.

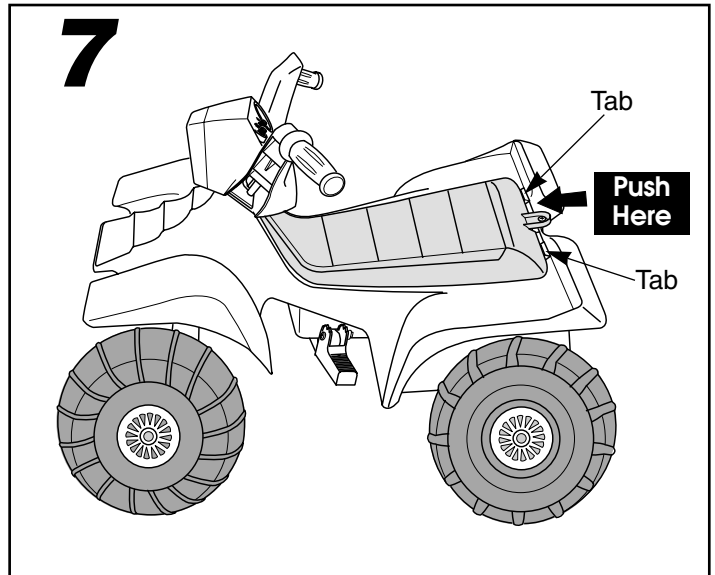
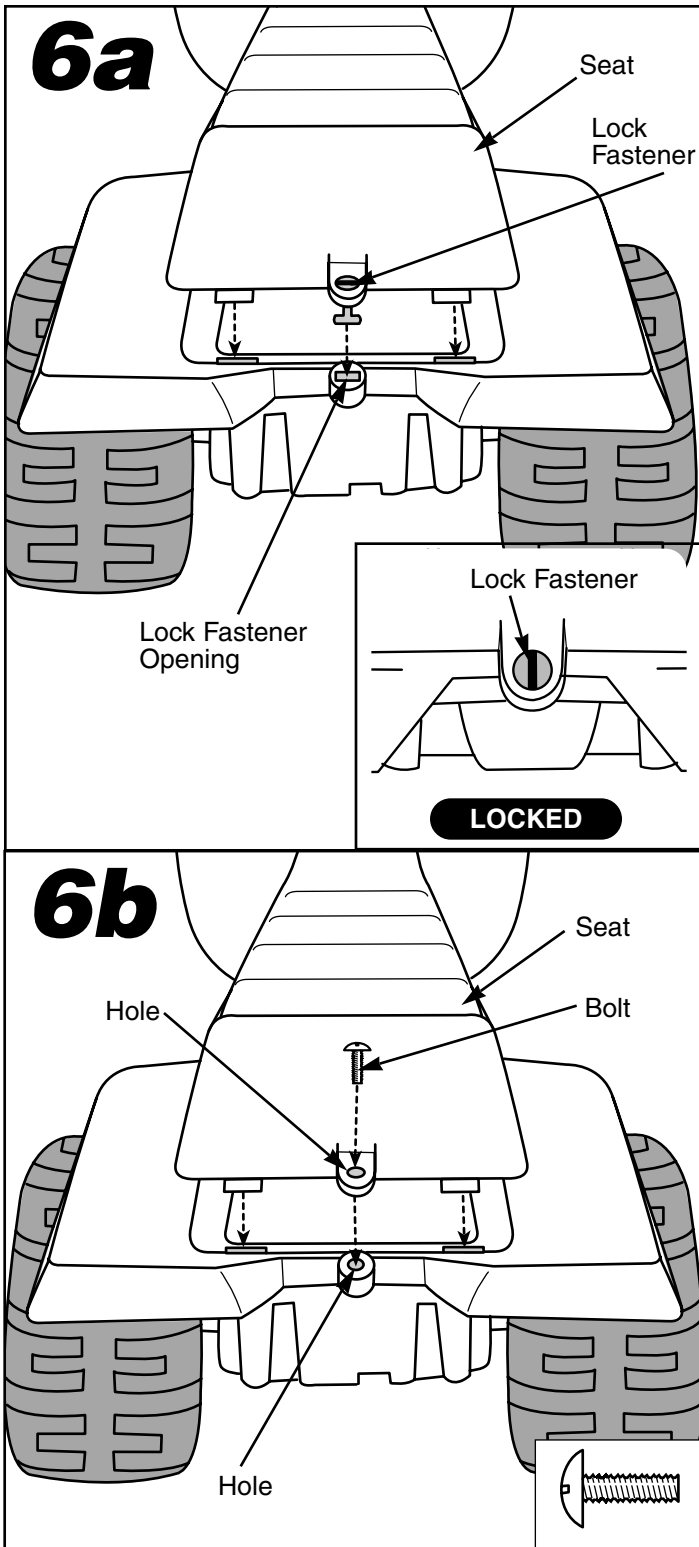


- Insert the tabs on the front of the seat into the slots in the vehicle body.

**Important Note:** If the vehicle seat is equipped with a lock fastener, make sure that the tab on the lock fastener is aligned with the slot in the vehicle body.

- Press down on the back of the seat to snap the tabs on the back of the seat into the slots in the vehicle body.

# Battery Installation



- To recharge or change the battery, unlock the vehicle seat:
  - If your vehicle seat is equipped with a lock fastener, use a slotted screwdriver to rotate the lock fastener  $\frac{1}{4}$  turn to the unlocked position (⊖).
  - If your vehicle seat requires use of the #10 x  $\frac{1}{2}$ " bolt, loosen the bolt using a Phillips screwdriver. Remove the bolt and set it aside for re-assembly of the seat.
- Push in firmly on the back of the seat to release the tabs on the seat from the slots in the vehicle body.
- Lift the seat to remove it from the vehicle body.

- Lock the seat to prevent children from accessing the battery.
  - If your vehicle seat is equipped with a lock fastener (illustration **6a**), use a slotted screwdriver to rotate the lock fastener  $\frac{1}{4}$  turn to the locked position (⊕).
  - If your vehicle seat requires use of the #10 x  $\frac{1}{2}$ " bolt (illustration **6b**), insert the bolt into the seat and tighten it with a Phillips screwdriver. Do not over-tighten.

## Battery Care and Disposal

### Care

**If a battery leak develops**, avoid contact with the leaking acid and place the damaged battery in a plastic bag. See information below for proper disposal.

**If acid comes in contact with skin or eyes**, flush with cool water for at least 15 minutes and call a physician.

**If acid is internally ingested**, give water, milk of magnesia or egg whites immediately. Never give emetics or induce vomiting. Call a physician.

- Charge a new battery for at least 18 hours before first use. Never charge the battery longer than 30 hours. Overcharging or undercharging the battery may shorten battery life and decrease vehicle running time.
- After the first charge, recharge the battery for at least 18 hours after each use. Never charge the battery longer than 30 hours. Charge the battery after each use, regardless of how long the vehicle was used.
- The battery must be upright while charging.
- Do not allow the battery to run down completely before charging.
- Charge the battery before storing the vehicle.
- Charge the battery at least once per month, even if the vehicle has not been used.
- Leaving the battery in a discharged condition will ruin it.
- Always remove an old or exhausted battery from the product. Battery leakage and corrosion can damage your vehicle.
- Do not store the battery in temperatures above 75° F or below -10° F.
- Prevent the battery from moving freely inside the battery compartment. Always use the battery retainer and the protective foam pocket to secure the battery in the battery compartment.
- Examine the battery, charger and their connectors for excessive wear or damage each time you charge the battery. If damage is detected, do not use the charger or the battery until you have replaced the worn or damaged part.
- Attempting to charge the battery without a fuse or with a blown fuse will not damage the battery, but the battery will not charge. Check the fuse to make sure it is in good condition each time you charge the battery.

## Battery Care and Disposal

### Disposal

- Your Power Wheels® battery is a sealed lead-acid battery. It must be recycled or disposed of in an environmentally sound manner.
- Do not dispose of the lead-acid battery in your regular, household trash. The incineration, landfilling or mixing of sealed lead-acid batteries with household trash is prohibited by law in most areas.
- Return the battery to a federal or state approved lead-acid battery recycler, such as a Power Wheels® authorized service center or a local seller of automotive batteries. In Minnesota, call 1-800-348-0751 if further disposal information is required. Contact your local waste management officials for other information regarding the environmentally sound collection, recycling and disposal of lead-acid batteries.

## J

### Rules For Safe Driving



### WARNING

- Adult supervision is required. Children do not have the judgement necessary to avoid many accidents. Be sure that children operating this vehicle can do so safely and that they are supervised at all times.
- Never use near steps, driveways, steep inclines, roadways, alleys, swimming pool areas or other bodies of water.
- Always wear shoes or sneakers when operating this vehicle.
- Never allow more than one rider.
- The rider should sit on the seat when the vehicle is in operation.

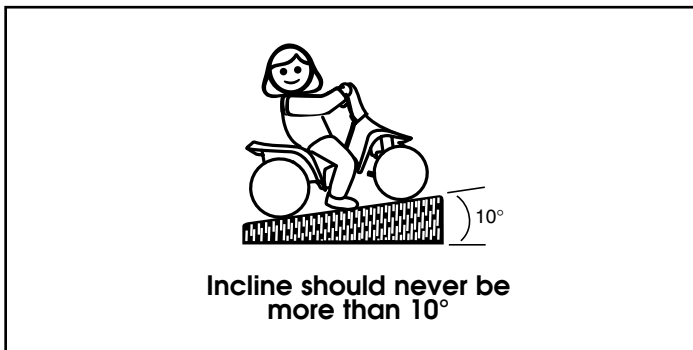
# Rules for Safe Driving

## Teach Safety Rules to Children

While children can quickly develop the skill necessary to drive this vehicle, it is important to remember that their judgement skills are still very immature. Unsupervised driving by children can lead to serious injury. Before children use the **Rock & Roll**, an adult should carefully evaluate the driving area as well as the children's skill level and ability to drive this vehicle safely. Children are not always able to recognize or anticipate hazards, even when they have been taught about them. There is no acceptable substitute for adult supervision.

Teach appropriate safety rules to your child before allowing operation of this vehicle. These rules should also be reviewed with neighborhood children or other playmates who want to drive this vehicle.

1. Do not allow any child to drive the vehicle in the street or near moving (motorized) vehicles.
2. Do not allow any child to drive near bodies of water (such as pools or creeks), obstructions (such as furniture, low tree limbs or play equipment), or drop-offs (such as stairs or decks).
3. Do not allow any child to drive the vehicle in the dark. A child could encounter unexpected obstacles and have an accident. Operate the vehicle only in the daytime or in a well-lit area.
4. Teach your child to avoid driving on steep inclines or slopes. Restrict your child's driving to areas that are fairly level with gentle inclines or slopes of no more than 10°.
  - While driving down a steep slope, the vehicle may gain unsafe speed, even if the handlebar button is released to stop.
  - While driving across a steep slope, the vehicle may tilt and tip over. The wheels could lose traction, causing the vehicle to slip.
  - While driving up a steep incline, the motor may stop and the vehicle could roll backwards at an unsafe speed.



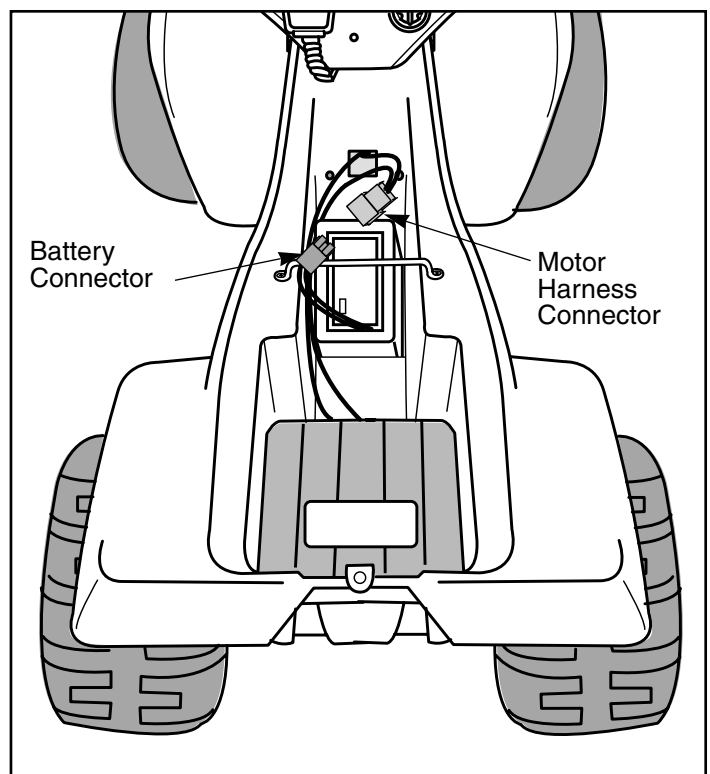
5. Do not operate this vehicle with more than one rider, seated in the seating area. A child who is not sitting on the seat or who is standing on the vehicle could fall off, cause a tip-over or block the driver's view. A child could be seriously injured.

6. Always wear shoes or sneakers when operating this vehicle.
7. Never put anything near any moving parts. Rotating parts such as motors, gear boxes and wheels can snag fingers, hair, etc., causing serious injury. Do not allow operation of the vehicle when it is on its side or in an upside-down position.
8. Do not operate the vehicle near flammable vapors (gasoline, paint thinner, acetone, liquid wax, etc.). The vehicle's electrical switches, like most electrical switches, emit an internal spark when first turned on or turned off. The presence of flammable liquids or vapors could cause an explosion or a fire. Keep all flammable products in tightly sealed containers and away from the vehicle.
9. Do not allow a child to operate the vehicle without proper adult supervision. To prevent unsupervised use of the vehicle, disconnect the motor harness from the battery when the vehicle is not in use.

### To disconnect the motor harness connector and battery connector:

- Unlock the seat and remove it to access the battery.
- Unplug the motor harness connector from the battery connector.
- Re-assemble the seat to your vehicle.

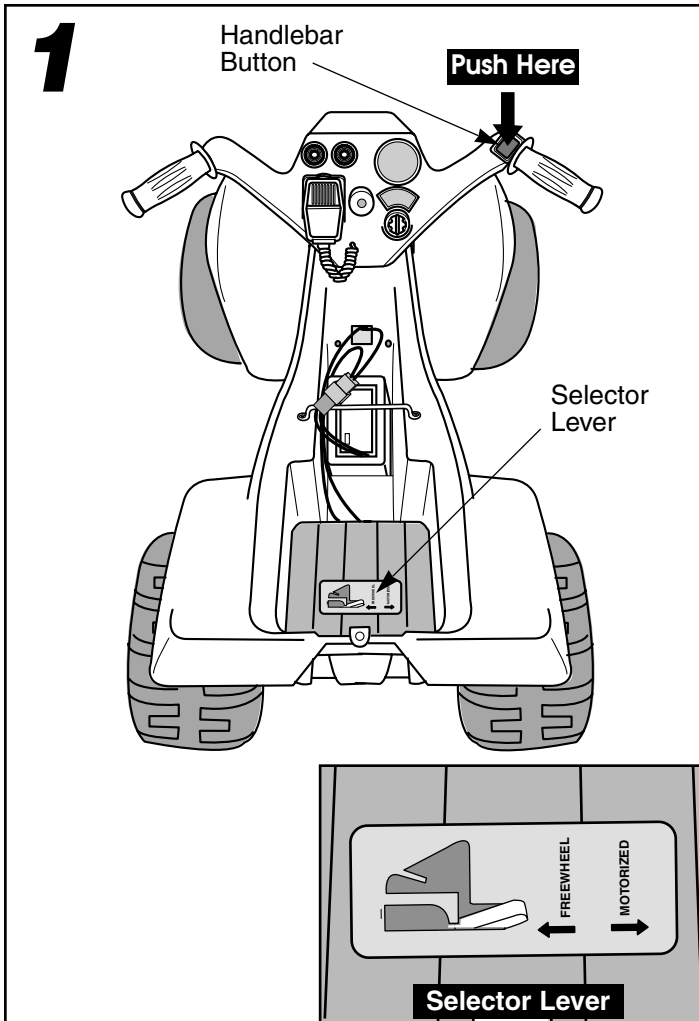
**Important Note:** Always remember to lock the seat to prevent children from accessing the battery.



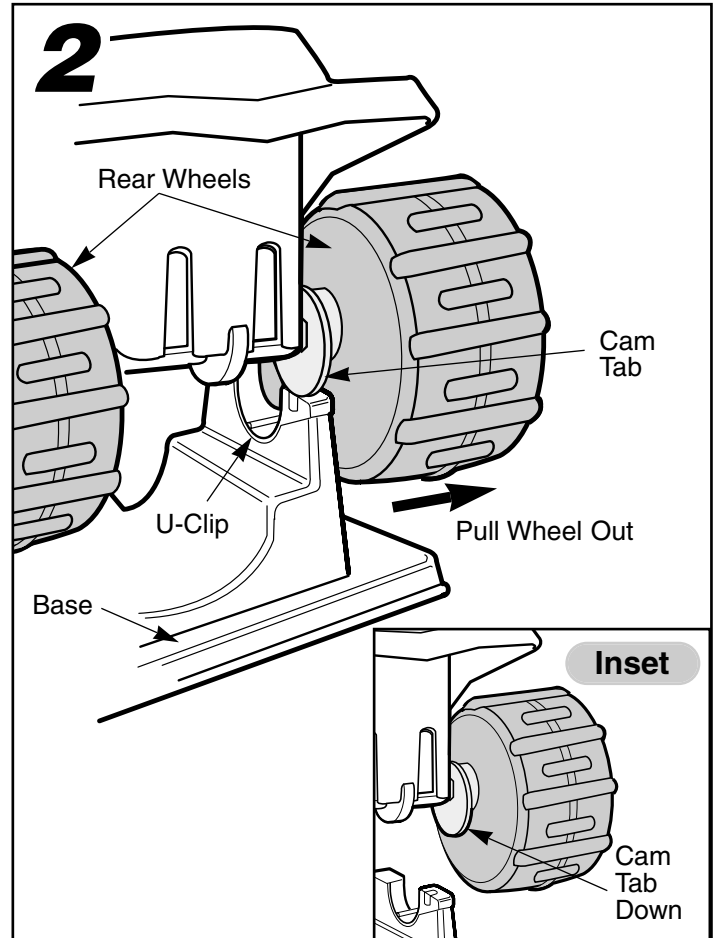
# K

## Attaching Your Vehicle to the Base Removing Your Vehicle from the Base

### Attaching Your Vehicle to the Base



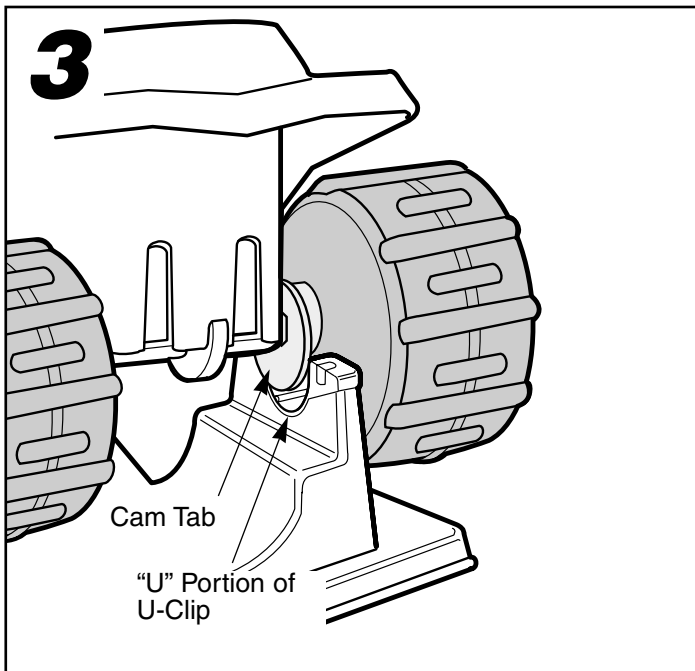
- To assemble the vehicle to the base, the vehicle should be set to the MOTORIZED position. Press the handlebar button to make sure the vehicle is set to MOTORIZED. If the vehicle does not move forward when the handlebar button is pushed, it is set to FREEWHEEL.
- To switch the vehicle from FREEWHEEL to MOTORIZED, unlock and remove the seat. Press the handlebar button and **at the same time** switch the selector lever to the MOTORIZED position.



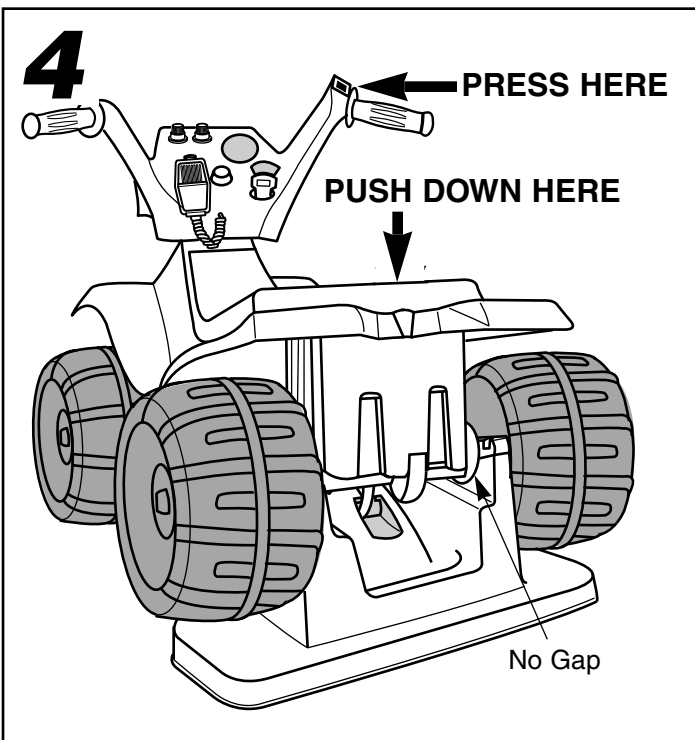
- Place the base on the floor.
- Turn the vehicle's rear wheels to position the cam tabs down, as shown. (See inset.)
- Position the vehicle over the base so that the rear wheels are above the U-clips.
- Pull out to spread the rear wheels and lower the vehicle on the base so that the cam tabs rest on the U-clips as shown in illustration 2.

## Attaching Your Vehicle to the Base

## Removing Your Vehicle from the Base



- Push the vehicle forward slightly to engage the t-slider in the slot on the base. (The t-slider is on the underside of the vehicle.) The cam tabs should now be directly above the "U" portion of the U-clips.

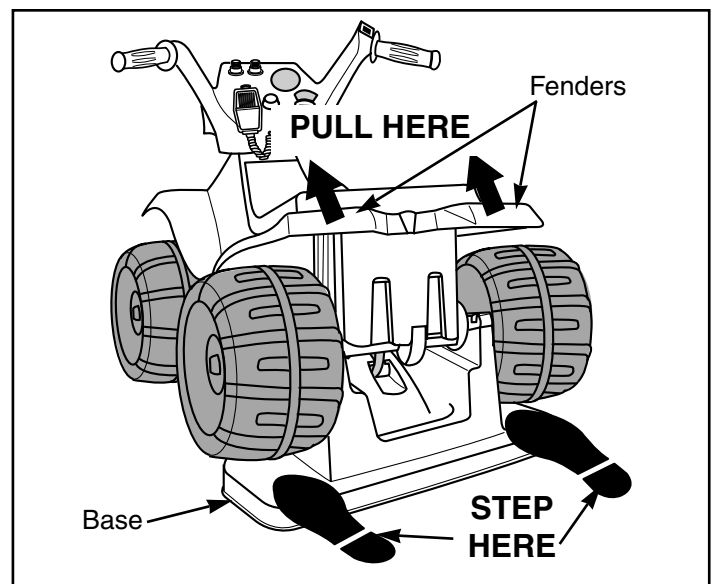


- Position your knee on the vehicle seat and lean firmly on the seat.
- While pushing down firmly on the vehicle seat, press the power button to rotate the rear wheels and seat the cam drivers in the U-clips. You will feel and hear

the cam drivers pop into the U-clips. There should be no gap between the cam drivers and the U-clips.

- To make sure the vehicle is properly secured to the base, lift the vehicle. If the front or the rear wheels lift away from the base, the vehicle is not properly attached to the base. Repeat the above procedure to attach the vehicle to the base.
- With the vehicle properly attached to the base, it is ready for use as a battery powered rocking kiddie-ride.

### Removing Your Vehicle from the Base



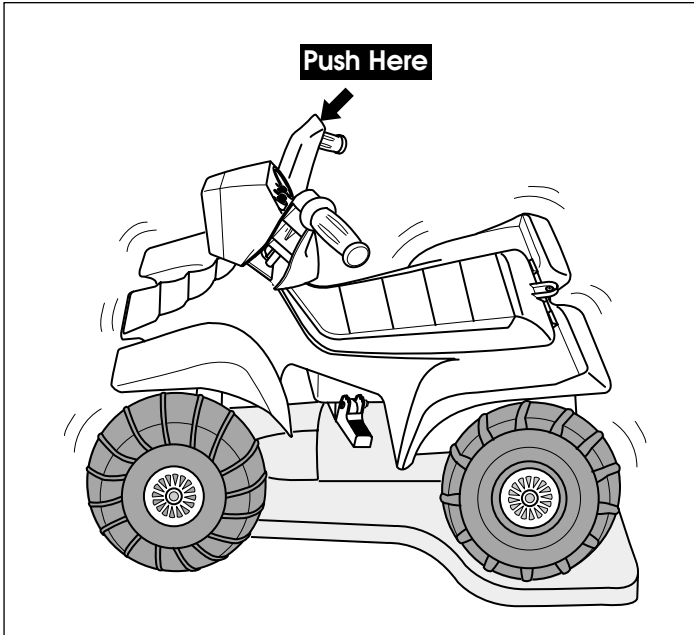
- Place both feet on the base to hold it in place.
- Grip the vehicle fenders.
- Pull up firmly to release the rear wheel drivers from the U-clips.
- Slide the vehicle back slightly to release the T-slider from the slot and remove the vehicle from the base.
- Set the base aside. Your vehicle is ready for foot-to-floor freewheeling use, or for use as a battery-powered ride-on vehicle.

# L

## How to Operate Your Vehicle

Your **Rock & Roll** can be easily converted for use in any one of three ways for rocking and rolling fun: as a battery powered rocking kiddie ride, as a freewheeling foot-to-floor vehicle, or as a battery powered motorized vehicle.

### Exciting Kiddie Ride Action

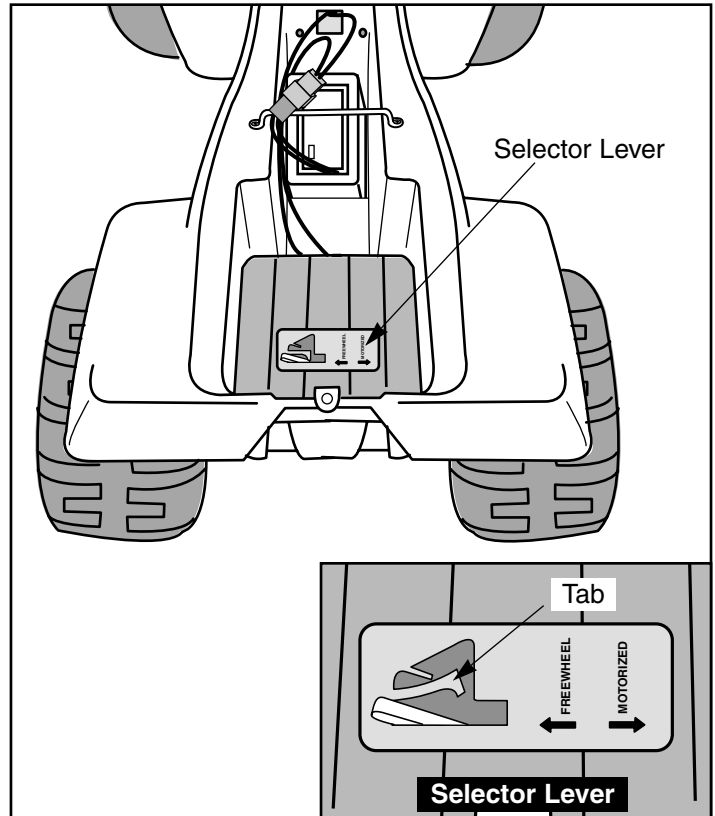


Your vehicle has been preset at the factory for use as a battery powered vehicle. Simply attach your vehicle to its stationary base for use as an exciting kiddie ride. (See Attaching Your Vehicle to the Base on page 21.)

**Note:** The rear wheels will push out slightly when the vehicle is properly attached to the base.

- Make sure the footrests are in the lowered position.
- Seat your child on the vehicle, with both hands on the handgrips and both feet on the footrests.
- Press the handlebar button for some rocking fun!

### Selecting Freewheeling Fun



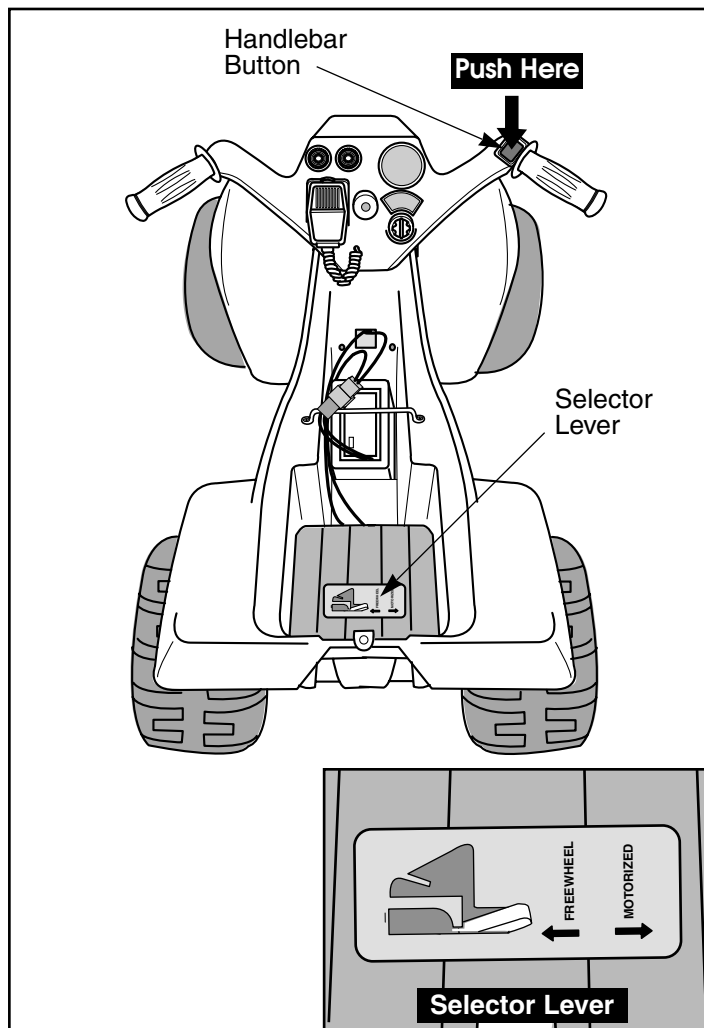
When detached from the base, your **Rock & Roll** is ready for freewheeling or motorized driving use. (See Removing Your Vehicle from the Base on page 22.) Select the freewheeling mode for some freewheeling fun:

- Remove the seat.
- Set the selector lever in the compartment under the seat to the FREEWHEEL position. To switch the selector lever from MOTORIZED to FREEWHEEL, bend the tab on the motor cover toward the front of the vehicle and switch the selector lever.
- Re-assemble the seat.
- Make sure the footrests are in the raised position.
- Seat your child on the vehicle with both hands on the handgrips and watch your child go!

**Helpful Hint:** Remember to set the selector lever back to the MOTORIZED position whenever you re-attach the vehicle to the base for use as a battery powered kiddie ride.

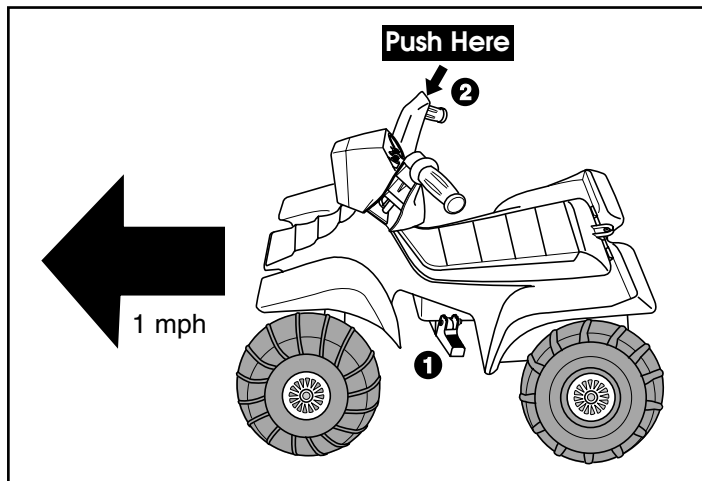
## How to Operate Your Vehicle

### Battery Powered Motorized Use



- Make sure the vehicle is not attached to the base.
- Remove the seat.
- Set the selector lever in the compartment under the seat to the **MOTORIZED** position. To switch the selector lever from **FREEWHEEL** to **MOTORIZED**, press the handlebar button and **at the same time** switch the selector lever to the **MOTORIZED** position.
- Re-assemble the seat.

## How to Operate Your Vehicle



- Make sure the footrests are in the lowered position **1**.
- Seat your child on the vehicle with both hands on the handgrips and both feet on the footrests.
- Press the handlebar button. The vehicle moves forward at a maximum of 1 mph **2**.
- Help your child practice steering to learn how far and how quickly to turn the handlebar.

## M

### Caring For Your Vehicle

- Check all nuts, bolts, and their protective coverings regularly and tighten as required. Check plastic parts on a regular basis for cracks or broken pieces.
- During snowy or rainy weather, the vehicle should be stored inside or under a protective cover. Remember to charge the battery at least once per month while your vehicle is not in regular use.
- Avoid operating the vehicle in wet or snowy conditions, and do not spray the vehicle with a hose. Do not wash the vehicle with soap and water. Water or moisture in the motors or electrical switches can cause them to corrode, and could cause switch or motor failure.
- Avoid operating the vehicle on sand, loose dirt or gravel. Sand, loose dirt or gravel in the motors or electrical switches can cause them to jam, and could cause switch or motor failure.
- The vehicle can be wiped down with a soft, dry cloth. For a shiny finish, you can wipe plastic parts with a non-wax furniture polish applied to a soft-cloth. Do not use automotive wax. Do not use soap and water or spray the vehicle with a hose.
- To ensure that your vehicle stays in good operating order, we recommend that you periodically have your vehicle checked by a Power Wheels® authorized service center. See page 28 for the list of authorized service centers or call **1-800-348-0751** for the location of the authorized service center nearest you.



# N

## Problems and Solutions Guide

**IMPORTANT!** If you experience a problem with your vehicle, first check the Problems and Solutions Guide below. If you still experience a problem, please contact Power Wheels® Consumer Affairs, toll-free at **1-800-348-0751** between 8 AM and 6 PM (EST) Monday through Friday. Or, contact your local Power Wheels® authorized service center. For the location nearest you, please refer to the Authorized Service Center list beginning on page 28.

Problem	Possible Cause	Solution
Vehicle does not run	Undercharged battery	Charge the battery. A new battery should have been charged for at least 18 hours before using the vehicle for the first time. After first-time use, recharge the battery for at least 18 hours after each use. Never charge the battery longer than 30 hours.
		Check all connectors. Make sure the battery connector is tightly plugged into the charger connector, and that the charger is plugged into the wall.
		Make sure power flow to the wall outlet is "ON".
	Charger is not working	There is no sure way to tell if your charger is working unless you have a volt meter. If you suspect there is a problem with your charger, contact your local Power Wheels® authorized service center. They can test your charger for you.
	Wrong type or improperly installed fuse	Make sure that the battery has a properly installed Power Wheels® 25 amp fuse before charging. For best performance, do not use substitute parts.
	Blown fuse	Make sure that the fuse in the battery is in good condition. Remove the fuse from the battery and compare it to the illustration on page 8 to see if it is blown. Replace a blown fuse with a Power Wheels® 25 amp fuse. For best performance, do not use substitute parts.
	Loose wire or loose connectors	Check all wires and connectors. Make sure the battery connector is tightly plugged into the motor harness connector, and that there are no loose wires around the motors.
	Dead battery	If your battery is old or if you have not followed BatteryCare instructions, your battery may be dead. If you are unsure whether or not the battery is dead, you can have it tested at your local Power Wheels® authorized service center.
	Electrical switch damage	The electrical switches can become corroded due to exposure to water or moisture, or can jam due to loose dirt, sand or gravel. Contact your local Power Wheels® authorized service center for diagnosis and repair.
	Motor damage	Contact your local Power Wheels® authorized service center for diagnosis and repair.
Selector lever in FREEWHEEL position	Make sure the selector lever under the seat is set to the MOTORIZED position.	
Vehicle was running but suddenly stopped	Loose wire or loose connectors	Check all wires and connectors. Make sure the battery connector is tightly plugged into the motor harness connector, and that there are no loose wires around the motors.
	Wrong type or improperly installed fuse	Make sure that the battery has a properly installed Power Wheels® 25 amp fuse installed before charging. For best performance, do not use substitute parts.
	Blown fuse	Make sure that the fuse in the battery is in good condition. Remove the fuse from the battery and compare it to the illustration on page 8 to see if it is blown. Replace a blown fuse with a Power Wheels® 25 amp fuse. For best performance, do not use substitute parts.
	Driving conditions are too stressful	Use only on gentle inclines or slopes of 10° or less. Extreme temperatures can also affect run time. Adjust the driving conditions.

# Problems and Solutions Guide

Problem	Possible Cause	Solution
Short run time (Less than 1 - 3 hours per charge)	Undercharged battery	Charge the battery. A new battery should have been charged for at least 18 hours before using the vehicle for the first time. After first-time use, recharge the battery for at least 18 hours after each use. Never charge the battery longer than 30 hours.
		Check all wires and connectors. Make sure the battery connector is tightly plugged into the charger connector, and that the charger is plugged into the wall.
		Make sure power flow to the wall outlet is "ON".
	Overcharged battery	Do not charge the battery longer than 30 hours. If you suspect that your battery is damaged as a result of overcharging, contact your local Power Wheels® authorized service center. They can test your battery for you.
	Battery is old and will not accept full charge	Even with proper care, a rechargeable battery does not last forever. Average battery life is 1 to 3 years depending on vehicle use and use conditions. For best performance, do not use substitute parts.
	Wrong type or improperly installed fuse	Make sure that the battery has a properly installed Power Wheels® 25 amp fuse before charging. For best performance, do not use substitute parts.
Vehicle runs sluggishly	Undercharged battery	Charge the battery. A new battery should have been charged for at least 18 hours before using the vehicle for the first time. After first-time use, recharge the battery for at least 18 hours after each use. Never charge the battery longer than 30 hours.
		Check all connectors. Make sure the battery connector is tightly plugged into the charger connector, and that the charger is plugged into the wall.
		Make sure power flow to the wall outlet is "ON".
	Battery needs charging	After approximately 3 hours of constant use, the battery needs charging.
	Wrong type or improperly installed fuse	Make sure that the battery has a properly installed Power Wheels® 25 amp fuse installed before charging. For best performance, do not use substitute parts.
	Battery is old and will not accept full charge	Even with proper care, rechargeable batteries do not last forever. Average battery life is 1 to 3 years depending on the vehicle use and use conditions. Replace the battery with a Power Wheels® 6 volt (4 Amp/hr.) battery. For best performance, do not use substitute parts.
	Vehicle is overloaded	Make sure you do not overload the vehicle by allowing more than 1 rider at one time, exceeding the 40 lbs. maximum weight capacity, or by towing objects behind the vehicle. Reduce the load on the vehicle.
	Driving conditions are too stressful	Use only on gentle inclines or slopes of 10° or less. Extreme temperatures can also affect run time. Adjust the driving conditions.

# Problems and Solutions Guide

Problem	Possible Cause	Solution
Sometimes the vehicle doesn't run, but other times it does	Loose wire or connector	Check all wires around the motors and all connectors to make sure they are tight.
When the handlebar button is pressed, the vehicle won't run without a push.	Motor or electrical switch damage	Contact your local Power Wheels® authorized service center for diagnosis and repair.
	Loose wire or connector	Check all wires around the motors and all connectors to make sure they are tight.
Vehicle constantly blows fuses	"Dead Spot" on motor	Contact your local Power Wheels® authorized service center for diagnosis and repair.
	Wrong type of fuse used	Your vehicle requires a Power Wheels® 25 amp fuse in the battery. Make sure a Power Wheels® 25 amp fuse in good condition is properly installed. For best performance, do not use substitute parts.
Loud clacking or grinding noise from a motor-gearbox	Broken gears	Contact your local Power Wheels® authorized service center for diagnosis and repair.
Charger gets warm during use	It is normal for some chargers to get warm during use and is not reason for concern.	No action required.  If your charger does not get warm during use, it does not mean that it is not working properly.
Battery makes a sizzling or gurgling noise when charging	It is normal for some batteries to make noise and swell slightly while charging and is not reason for concern.	No action required.  If your battery does not make noise or swell slightly during charging, it does not mean that it is not accepting the charge.

If, after reviewing the Problems and Solutions Guide, the vehicle still fails to operate, please contact your nearest authorized service center (see page 28) or contact Power Wheels® Consumer Affairs toll-free at **1-800-348-0751**.

**Helpful Hint:** For faster service when calling Consumer Affairs, completely charge the battery before calling and have the following available by the phone:

- vehicle,
- vehicle model number (see sticker in battery compartment),
- vehicle production run number (see sticker in battery compartment),
- Phillips screwdriver, slotted screwdriver and needle-nose pliers with plastic or rubber handles,
- an extra Power Wheels® 25 amp fuse is helpful.

# O

## Statement of Limited Warranty

### 90-day limited warranty for the Power Wheels® Ride-On Toy Vehicle

**A 6-month battery warranty applying only to those 6 volt batteries which were included by Power Wheels®, with the Power Wheels® vehicle when originally purchased.**

This limited warranty covers the Power Wheels® ride-on vehicle and the 6 volt batteries, purchased from Power Wheels® by the original purchaser, against defects in materials and workmanship.

This warranty covers normal use and does not cover the Power Wheels® vehicle or batteries if damaged by unreasonable use, neglect, accident, abuse, misuse, improper service or other causes not arising out of defects in materials or workmanship. Evidence of any attempt at consumer repair will void this warranty. This warranty does not cover, and is intended to exclude, any liability on the part of

Power Wheels®, whether under this warranty or implied by law or any indirect or consequential damages for breach of warranty. Some states do not allow the exclusion or limitation so this limitation may not apply to you.

Should you need service or assistance with your vehicle during the warranty period, **DO NOT RETURN THIS VEHICLE TO THE STORE.** Power Wheels® has provided a nationwide network of authorized service centers. Please refer to the list in this manual. Power Wheels® is continually expanding our Authorized Service Center network. If there is not an authorized service center in your area, please call Consumer Affairs for information, 1-800-348-0751.

This warranty gives you specific legal rights, and you may also have other rights which may vary from state to state. **PLEASE SAVE YOUR ORIGINAL SALES RECEIPT.**

# P

## Authorized Service Centers

**We are continually expanding our Authorized Service Center Network. Please check this listing for the Authorized Service Center nearest you. If there is not one in your area, please call Power Wheels® Consumer Affairs at 1-800-348-0751.**

### ALABAMA

**BIRMINGHAM** - Frigid Service & Sales, 701 Graymont Ave. North, 35203, (205) 323-5831

**BIRMINGHAM** - Frigid Service & Sales, 1861 Centerpoint Rd., 35215, (205) 853-3952

**BIRMINGHAM (HOMWOOD)** - D & R Appliance Company, 154 West Valley Ave., 35209, (205) 942-3959

**DECATUR** - Peddler II, 1000 B Beltline Road, 35603, (205) 350-1044

**DOTHAN** - Bill's Appliance Service, 208 Bic Road, P.O. Box 1192, 36303, (334) 792-7746

**DOUGLAS** - Brown Hardware, Highway 75, 35964, (205) 593-6086

**HUNTSVILLE** - C & G Appliance, 307 Jordan Lane, 35805, (205) 837-4551

**MOBILE** - Foster's Appliance Repair, 1660 South Beltline Highway, 36693, (334) 666-2670

**MONTGOMERY** - Acme Service Co., 2603 Highland Ave., 36107, (334) 264-2456

### ALASKA

**ANCHORAGE** - Ken's Electronics Service, 360 E. International, Ste. 8, 99518, (907) 562-3443

### ARIZONA

**GLENDALE** - Elliott Electric Appliance Service, 6242 N. 43rd Avenue, 85301, (602) 937-2613

**SCOTTSDALE** - Elliott Electric, 7515 E. McDowell Road, 85257, (602) 946-7487

**TUCSON** - Arizona Small Appliance Service Co., 5033 E 5th Street, 85711, (520) 325-3988

### ARKANSAS

**FT. SMITH** - Bromley Appliance Service, 614 North 10th

Street, 72901, (501) 782-9646

**HOT SPRINGS**, The Battery Center, 400 Airport Road, 71913, (501) 624-7144

**JONESBORO** - Best Sewing & Vacuum & Repair, 2235 S. Caraway Road, 72401, (501) 935-4739, (800) 844-4739

**LITTLE ROCK** - C & W Tool Repair, 1303 W. Markham, 72201, (501) 374-1911

**MENA** - Bearcat Starter & Alt., 902 Highway 71 South, 71953, (501) 394-0320

**ROGERS** - Kressel's Vacuum & Repair, 115 North 5th Street, 72756, (501) 636-7894

**STUTTGART** - Davis Lumber Company, 301 East Michigan, 72160, (501) 673-3601

### CALIFORNIA

**ANDERSON** - Hardware Express/ Do It Best, 2681 Balls Ferry Road, 96007, (916) 365-3783

**BAKERSFIELD** - Southwest TV, 6300 White Lane, Suite B, 93309, (805) 397-4940

**CONCORD** - California Electric Service Center, 1170-G Burnett Avenue, 94520, (510) 827-1011

**COVINA** - California Electric Service Center, 612 Shoppers Lane, 91723, (818) 915-4935

**DUBLIN** - California Electric Service, 8947 San Ramon Road, 94568, (510) 551-3390

**FONTANA** - California Electric Service Center, 9794 Sierra Avenue, 92335, (909) 355-2500

**FORT JONES** - Ft. Jones Frontier Hardware, 11911 Main Street, 96032, (916) 468-2266

**FRESNO** - Valley Small Appliance, 4005 E. Ashlan Avenue, 93726, (209) 224-5530

**FULLERTON** - California Electric Service Center, 1208 E. Ash Avenue, 92631-5020, (714) 870-0900

**LOS ALAMITOS** - California Electric Service Center, 11284 Los Alamitos Blvd., 90720, (562) 430-2668

**MERCED** - Moosehead Electronics, 920 W. 18th Street, 95340, (209) 723-4712

**MISSION VIEJO** - California Electric Service Center, 23725 Via Fabricante, Unit B, 92691, (714) 586-9440

**OAKLAND** - California Electric Service Center, 1139 E. 12th Street, 94606, (510) 834-1050

**OXNARD** - Tiny's Inc., The Clean-up Store, 1237 Saviers Road, 93033, (805) 487-9401, (800) 845-3223

**PASADENA** - California Electric Service Center, 2594 E. Colorado Blvd., 91107, (818) 792-3194

**SACRAMENTO** - California Electric Service Center, 1821 "O" Street, 95814, (916) 443-5711

**SALINAS** - SRS Hobbies, 1038A North Davis Road, 93907, (408) 424-4044

**SAN CARLOS** - California Electric Service Center, 990 Industrial Road, Suite 102, 94070, (415) 593-6696

**SAN DIEGO** - California Electric Service Center, 3430 El Cajon Blvd., 92104, (619) 283-6488

**SAN FRANCISCO** - California Electric Service Center, 1090 Bryant Street, 94103, (415) 431-8494

**SAN JOSE** - California Electric Service Center, 481 So. Bascom, 95126, (408) 295-1723

**SANTA ANA** - California Electric Service Center, 2025 South Main Street, 92707, (714) 641-0529

**SANTA ROSA** - Hardisty's Inc., 710 Farmers Lane, 95405, (707) 545-0535

**STOCKTON** - California Electronics, 929 North Yosemite Street, 95203, (209) 466-5432

**TEMECULA** - California Electric Service Center, 41715 Enterprise Circle North, Suite 101, 92590, (909) 695-5445

# Authorized Service Centers

**VAN NUYS** - California Electric Service Center, 14753 Oxnard Blvd., 91411, (818) 997-8855  
**WEST LOS ANGELES** - California Electric Service Center, 2314 S. Westwood Blvd., 90064, (310) 475-2532  
**YUCAIPA** - Aire-Rite Heating & A/C, 34724 Yucaipa Blvd., 92399, (909) 797-2788

## COLORADO

**COLORADO SPRINGS** - Nelson Appliance Repair, Inc., 1220 E. Fillmore, 80907, (719) 635-1928, (800) 291-8010  
**DENVER** - Appliance Service, 4262 Lowell Blvd., 80211, (303) 458-1109, (800) 631-0941 (CO, WY only)  
**DENVER (ENGLEWOOD)** - Appliance Service, 3932 S. Broadway, 80110, (303) 781-1227, (800) 553-1864  
**GRAND JUNCTION** - V & L Appliance Service, 591 25 Road Suite A6, 81506, (970) 243-3360

## CONNECTICUT

**HARTFORD** - Hartford Element & Appliance Service, 1500 Albany Avenue, 06112, (860) 246-7424, (800) 787-7977  
**NEW HAVEN (HAMDEN)** - New Haven Appliance Service Center, 1627 Dixwell Avenue, 06514, (203) 288-6229  
**SHELTON** - Jeff's Appliance, Inc., 500A Howe Avenue, 06484, (203) 924-8997  
**STAMFORD** - Appliance Servicenter of Stamford, 15 Cedar Heights Road, 06905, (203) 322-7656  
**WATERBURY** - P.J. Appliance Repair, 935 South Main Street, 06706, (203) 757-1014

## DELAWARE

**DOVER** - Del-Mar Appliance of Delaware, 230 South Governors Avenue, 19904, (302) 674-2414, (800) 858-3424  
**WILMINGTON** - Lyons Hardware, Inc., 2021 Kirkwood Highway, 19805, (302) 995-1260

## FLORIDA

**ATLANTIC BEACH** - First Coast Repair, 25 Seminole Road, 32233, (904) 246-4616  
**CAPE CORAL** - Family Hardware/Do-It Express, 622 SE 47th Terrace, 33904, (941) 542-6365  
**DELRAY** - Mister Fix It, 209 S.E. 2nd Avenue, 33483, (561) 243-9999  
**GAINESVILLE** - Authorized Appliance Service Co., 2614 S.W. 34th Street, 32608, (352) 375-3886  
**HIALEAH** - S-O Service Co., 925 Hialeah Drive, 33010, (305) 887-6275  
**HOLLY HILL** - Ormond Element, 1668 Ridgewood Avenue, 32117, (904) 677-3497  
**JACKSONVILLE** - Authorized Appliance Service Co., 6120-5 Powers Avenue, 32217, (904) 737-5312  
**LAKELAND** - Electric Shaver & Small Appliance, 4243 S. Florida Avenue, 33813, (941) 644-4690  
**MIAMI** - Goodman's Sales & Service, 13081 SW 133 Court, 33186, (305) 278-8822  
**NORTH FORT MYERS** - Family Hardware, 13817 N. Cleveland Ave., 33903, (941) 995-6161  
**NORTH PALM BEACH** - Appliance Doctors, 450 Northlake Blvd., 33408, (407) 845-0377, FAX (407) 845-0378  
**OCALA**, Vacuums, Inc., 3535 S.E. Maricamp Road, #103, 34471, (904) 694-2247  
**OCALA**, Vacuums, Inc., 2461-A SW 27th Avenue, 34474, (352) 854-2247  
**ORLANDO** - Pine Hills Appliance Svc. Co., 6100-4 W. Colonial Drive, 32808, (407) 299-1271  
**ORLANDO** - Southern Electric Co., 510 N. Parramore Avenue, 32801, (407) 841-8824, (800) 940-8824  
**PANAMA CITY**, Callaway Vacuum & Sewing, 221 N. Tyndall Prkwy., 32404, (904) 763-6333  
**PENSACOLA** - Foster's Appliance Repair, 3836 N. Davis Highway, 32503, (904) 432-8853  
**POMPANO BEACH** - Authorized Appliance Service Co., 2171 N. Dixie Highway, 33060, (954) 941-2038  
**POMPANO BEACH** - Philips Consumer Electronics, 2099 W. Atlantic Blvd., 33069, (954) 978-0467  
**PORT ST. LUCIE** - Hoppe's Authorized Vac & Appliance, 6735 S. Federal Way, 34592, (561) 464-0102  
**ROCKLEDGE** - Neelco Do-It Center, 400 Barton Blvd., 32955, (407) 639-1400  
**SARASOTA** - Sunray Small Appliances, 8371 N. Tamiami, 34243, (941) 358-9999, (800) 895-5655  
**SEBRING** - Sebring Do-It Center, 305 U.S. 27 North, 33870, (941) 385-2785  
**SPRING HILL** - Crowder Bros Hardware, 5350 Spring Hill

Dr., 34606, (352) 686-4743  
**ST. PETERSBURG** - Keystone Electric, 4604 Central Avenue, 33711, (813) 321-1124  
**STUART** - Appliance Doctors, 3166 S.E. Dixie Highway, 34997, (561) 287-6437  
**SUNRISE** - Muller Appliance Service, 2620 N. University Drive, 33322, (954) 749-5460  
**TAMPA** - Authorized Appliance Service Co., Dibbs Plaza, 4119 Gunn Hwy., Unit 8, 33624, (813) 968-6638  
**VENICE** - Sunray South, 2143 South Tamiami Trail, 34293, (941) 493-1733  
**VERO BEACH** - Hoppe's Authorized Vac & Appliance, 1872 Commerce Avenue, 32960, (561) 562-4466  
**WEST PALM BEACH** - Satisfaction TV Video Service, Inc., 1980 S. Congress Avenue, 33406, (561) 439-3733

## GEORGIA

**ATLANTA** - Georgia Service Center, 5366 Buford Hwy., 30340, (770) 455-1716, (800) 455-1715  
**ATLANTA (MARIETTA)** - Philips Consumer Electronics, 200 N. Cobb Parkway, Bldg. #100, Suite 120, 30062, (770) 795-0085  
**AUGUSTA** - A & A Appliance Parts & Service, 1708 Walton Way, 30904, (706) 733-5163  
**BRUNSWICK** - Arco Hardware & Supply, 3711 Community Road, 31520, (912) 267-0771  
**COLUMBUS** - Burrell's National Appliance Service, 1728 Warm Springs Road, 31904, (706) 327-0523  
**LOGANVILLE** - Mtn. Mower Sales and Service, 6099C Hwy. 20, 30249, (770) 466-9111  
**SAVANNAH** - Hagins Appliance Service, 3 West Victory Drive, 31405, (912) 233-8372  
**TIFTON** - Western Auto, 354 S. Main St., 31794, (912) 382-5767  
**VALDOSTA** - Harry B. Anderson, Inc. Western Auto, 204 Central Avenue, 31601, (912) 242-5945

## HAWAII

**HONOLULU** - McCully Bicycle & Sporting Goods, 932 Hausten Street, 96826, (808) 946-1192  
**WAILUKU (MAUI)** - Tom's Appliance Sales & Service, 891 Eha Street, 96793, (808) 244-6278  
**WAIPAHU** - Waipahu Bicycle, 94-320 Depot Street, 96797, (808) 671-4091

## IDAHO

**BOISE** - Boise Appliance, 1503 Main Street, 83702, (208) 343-0102

## ILLINOIS

**CHAMPAIGN** - Appliance Parts & Service Center, 905 Francois, 61821, (217) 355-0220  
**CHICAGO (BERWYN)** - Brand Service Center, 6739 West Cermak, 60402, (708) 749-4315  
**CHICAGO (DOWNER'S GROVE)** - Authorized Appliance Service Co., 1644 W. Ogden Avenue, 60515, (630) 852-1550  
**CHICAGO (MORTON GROVE)** - Brand Service Center, Inc., 5618 Dempster Street, 60053, (847) 965-5900  
**DECATUR** - Rexx Battery of Decatur, Inc., 1330 East Eldorado, 62521, (217) 422-0281  
**JACKSONVILLE** - Rexx Battery Specialists, 847 South Main Street, 62650, (217) 245-2713  
**NASHVILLE** - Kesel Hardware, 173 West St. Louis, 62263, (618) 327-8957  
**NILES** - Household Appliance Sales & Serv., 7411 N. Milwaukee Ave., 60714, (847) 647-8250  
**PEORIA** - Brand Service Center, 6926-I North University Street, Tanglewood Center, 61614, (309) 691-7588  
**ROCKFORD** - Sun Appliance Sales & Service, 3112 N. Rockton Avenue, 61103, (815) 964-3866  
**SPRINGFIELD** - Bannon Electronics, 1224 N. Franklin, 62702, (217) 523-0313  
**WAUKEGAN** - Brand Service Center, 2850 Belvidere Road, 60085, (847) 244-5800

## INDIANA

**EVANSVILLE** - Electro Hygiene Co., 1614 South Kentucky, 47714, (812) 425-2671  
**FT. WAYNE** - Don's Harware, 5701 Coventry Lane, in the Village of Coventry, 46804, (219) 436-2278  
**FT. WAYNE** - Sun Appliance Service & Sales, 3523 N. Anthony Blvd., 46805, (219) 482-1702  
**INDIANAPOLIS** - Brand Service Center, 1827 N. Meridian

Street, 46202, (317) 924-1386  
**INDIANAPOLIS** - Sullivan Hardware Do-It Center, 7021 N. Keystone, 46220, (317) 255-9230  
**NEW ALBANY** - Wells Hardware, Inc., 1011 Vincennes Street, 47150, (812) 944-4523  
**SOUTH BEND** - Ray's TV and Appliance, 60717 US 31 South, 46614, (219) 291-1630  
**SOUTH BEND (OSCEOLA)** - AAA Appliance Service Co., 11868 Lincoln Way West, 46561, (219) 679-4981  
**TERRE HAUTE** - Corey Electronics, 1101 S. 8th Street, 47802, (812) 232-8786, (888) 232-8786

## IOWA

**BETTENDORF** - K & K True Value Hardware, 1818 Grant Street, 52722, (319) 359-4473  
**CEDAR RAPIDS** - Stalker Electric, Inc., 110 3rd Ave. SW, 52404, (319) 364-5646  
**DES MOINES** - Quality Appliance Repair Center, 1417 Walnut Street, 50309, (515) 288-0108  
**DUBUQUE** - Shaver's Plus, 1824 Central Avenue, 52001, (319) 556-4442  
**SIOUX CITY** - Millard Television Inc., 1419 Hamilton Blvd., 51103, (712) 258-3435

## KANSAS

**COLBY** - Gavon's Electronics, 1870 South Range, 67701, (913) 462-6601  
**JUNCTION CITY** - R/C Hobbies, 115 W. 7th Street, 66441, (913) 238-1877  
**KANSAS CITY (OVERLAND PARK)** - Mar-Beck Appliance Service Co., 8471 West 95th Street, 66212, (913) 642-1557  
**WICHITA** - Alan Appliance Service, Inc., 1300 E. Central, 67214, (316) 262-7228, (800) 290-7228

## KENTUCKY

**GREENVILLE** - Malone Lumber Do-It Center, 204 W. Depot Street, 42345, (502) 338-3252  
**LEXINGTON** - Factory Electronics, 2422 Palumbo Drive, 40509, (606) 269-7341  
**LEXINGTON (VERSAILLES)** - Deaver's Hardware, 221 N. Main St., 40383, (606) 873-7396  
**LOUISVILLE** - Maury's Fluorescent & Appliance Service, 1521 Bardstown Road, 40205, (502) 456-1671  
**MADISONVILLE** - Kuester's Hardware, N. Main St., Martin Mall, 42431, (502) 825-2818  
**MT. WASHINGTON** - Mt. Washington Auto Supply, 520 N. Bardstown Rd, P.O. Box 316, 40047, (502) 538-4296  
**OWENSBORO** - Kuester's Hardware, 1210 Carter Road, 42301, (502) 685-4916  
**PADUCAH** - Hank Brothers True Value, 3101 Lone Oak Rd., 42003, (502) 554-4001

## LOUISIANA

**BATON ROUGE** - Home Appliance Service, Inc., 10781 Florida Blvd., 70815, (504) 272-7727  
**HAMMOND** - Battery Depot, 207 E. Thomas Street, 70401, (504) 542-4983  
**LAFAYETTE** - Cullen's Playland, 4498 Johnston Street, 70503, (318) 981-2929  
**LAKE CHARLES** - Capitol Schwinn Cyclery, 722 E. Prien Lake Road, 70605, (318) 474-9090  
**NEW ORLEANS (METAIRIE)** - Le Jouet, Inc., 1700 Airline Hwy., 70001, (504) 837-0533  
**SHREVEPORT** - Shreveport Shaver and Appliance, 9750 St. Vincent, Burt Kouns Ind. Loop, 71106, (318) 865-5088, (800) 349-7722

## MAINE

**BANGOR** - Adco Surgical Supply Co., 1292 Hammond St., 04401, (207) 942-5273  
**GREENE** - Brule's Auto Clinic & Sales, 968 Sawyer Road, 04236, (207) 375-4872  
**PORTLAND** - Colonial Electronics, Inc., 259 St. John Street, 04102, (207) 774-6666

## MARYLAND

**BALTIMORE (ELLICOTT CITY)** - Clark Do-It Center, 10325 Baltimore National Pk., 21042, (410) 313-8100  
**BALTIMORE (TOWSON)** - Duran Service Company, 8741 Myland Lane, 21286, (410) 321-9033  
**BERLIN** - Myers Auto-Power Tool Rental Co., Inc., 10714 Ocean Gateway, 21811, (410) 641-3497  
**GAITHERSBURG** - Waters Appliance Service, 216 E. Diamond Avenue, 20877, (301) 258-7500,

# Authorized Service Centers

(800) 225-5009

**SALISBURY** - Cycle and Sports Outlet, 2505 N. Salisbury Blvd., 21801, (410) 860-0400

**TANEYTOWN** - MacHenry Services, 68 Frederick Street, 21787, (410) 756-6659, (800) 276-1301

**WASHINGTON D.C. (BELTSVILLE)** - Philips Consumer Electronics, 10800 Rhode Island Avenue, 20705, (301) 595-5330, (800) 438-9647

## MASSACHUSETTS

**BOSTON (MEDFIELD)** - Wills Hardware, 5 Janes Avenue, 02052, (508) 359-4381

**BOSTON (WALTHAM)** - Suburban Appliance Service Center, Inc., 271 Moody Street, 02154, (617) 893-6694

**LOWELL** - Lowell Appliance Service Center, Inc., 564 Dutton Street, 01854, (508) 454-8731

**MAYNARD** - Gramp's Garage, 16 Main Street, 01754, (508) 461-0463

**QUINCY** - Appliance Service and Parts, Inc., 582 Washington Street, Route 3A, 02169, (617) 773-6656

**SALEM** - Fix Master, Inc., 190 North Street, 01970, (508) 745-0004

**SPRINGFIELD** - Utility Electric Service, Inc., 810 Main Street, 01101, (413) 781-1635

## MICHIGAN

**ALMONT** - Almont Hardware, 4545 Van Dyke, P.O. Box 511, 48003, (810) 798-8922

**BAY CITY** - Bay Vac & Pedal, 805 Columbus Ave., 48708, (517) 892-7516

**BRIGHTON** - Complete Battery Source, 8023 W. Grand River, 48116, (810) 220-1050

**DEARBORN** - McNichols Electric Service, 1836 Grindley Park, 48124, (313) 563-7550

**DETROIT** - McNichols Electric Service, 13725 W. McNichols, 48235, (313) 342-6070, (800) 562-4226

**DETROIT (ROYAL OAK)** - McNichols Electric Service, 4115 West 13 Mile Road, 48072, (810) 288-5135

**FLINT (DAVISON)** - Gill-Roy's Hardware, 8405 East Davison, 48423, (810) 653-2288

**FLINT (SWARTZ CREEK)** - Gill-Roy's Hardware, 9061 Miller Road, 48473, (810) 635-2020

**GRAND RAPIDS** - Superior Appliance Service Co., 1050 Scribner Avenue, NW, 49504, (616) 459-3271

**JACKSON** - Hammond Hardware, 1800 Francis St., P.O. Box 7, 49204, (517) 782-0704

**KALAMAZOO** - Bill Coleman TV, 3938 S. Westnedge, 49008, (616) 344-1200

**LANSING** - Rapid Appliance Service, Inc., 1454 E. Michigan Avenue, 48912, (517) 485-1320

**MIDLAND** - Knopic's Do-It Center, 3128 Jefferson Ave., 48640, (517) 832-2774

**PRUDENVILLE** - Ford's Do-It Center, 841 W. Houghton Lake Drive, 48651, (517) 366-7622

**TRAVERSE CITY** - De Weese Hardware Inc., 1029 Carver Street, 49685, (616) 947-7670

## MINNESOTA

**BRAINERD** - Diggz Motor Sports, 4299 Hwy. 371 North, 56401, (218) 828-8088

**DULUTH** - All Brand Mr. Fixit, 16 West First Street, 55802, (218)-722-1499

**DULUTH** - Mr. Fix it - Metro Appl. Service Center, Inc., 2020 W. Superior St., 55806, (218) 722-9063

**MINNEAPOLIS (ST. LOUIS PARK)** - Barness, 4631 Excelsior Blvd., 55416, (612) 926-0521

**ROCHESTER** - Robert's Electronics, 611 6th Ave. NW, 55901, (507) 282-2140

**ST. PAUL** - Barness, 1573 University Avenue, 55104, (612) 646-3109

## MISSISSIPPI

**HATTIESBURG** - Champion Cycle & Fitness, 104 South 37th Avenue, 39401, (601) 264-8233

**IUKA** - W. H. Fairless Hardware Co., Inc., 117 Fulton Street, 38852, (601) 423-2233, (800) 797-9457

**JACKSON (RIDGELAND)** - Propeller Service, 291 Hwy. 51, Suite D6, 39157, (601) 856-3191

**MERIDIAN** - Broadmoor Home Center, 2420 Old North Hills Street, P.O. Box 3280, 39305, (601) 483-7373

**NATCHEZ** - Western Auto, 180 Seargent Prentiss Dr., 39120, (601) 445-4186

**STARKVILLE** - East Mississippi Lumber Co.,

300 Russell Street, 39759, (601) 323-3554

## MISSOURI

**INDEPENDENCE** - Mar-Beck Appliance Service Co., 4476 South Noland Road, 64055, (816) 478-1889

**KANSAS CITY** - Mar-Beck Appliance Service Co., 303 W. 79th Street, 64114, (816) 523-6931

**KANSAS CITY (GLADSTONE)** - Mar-Beck Appliance Serv. Co., 6559 N. Oak Traffic Way, 64118, (816) 436-9191

**POPLAR BLUFF** - Mills Iron & Supply, 1919 S. Westwood Blvd., 63901, (573) 785-2628

**SPRINGFIELD** - Mar-Beck Appliance Service Co., 2704 S. Glenstone Avenue, 65804, (417) 882-3070

**ST. LOUIS** - Authorized Appliance, Inc., 2355 Hampton Avenue, 63139, (314) 647-4250

**ST. LOUIS** - Brand Service Center, Inc., 1624 S. Broadway, 63104, (314) 231-0751

## MONTANA

**BILLINGS** - Radio Equipment Company, 1120 16th Street West, 59104, (406) 256-9778, (800)711-4024

## NEBRASKA

**GRAND ISLAND** - Mundt's Small Appliance & Vacuum Repair, 1822 W. Northfront Street, 68803, (308) 382-5084

**LINCOLN** - CB Small Appliance, 432 South 11th Street, 68508, (402) 475-2546

**LINCOLN** - Sperry TV, 1115 North 47th St., 68503, (402) 464-9181

**LINCOLN** - Sperry TV, 2013 Highway 2, 68502, (402) 464-9181

**NORTH PLATTE** - Sperry TV, 1855 West A Street, Westfield Shopping Center, 69010, (308) 532-5200

**OMAHA** - Myers Electric Co., 7571 Dodge Street, 68114, (402) 393-8388, (800) 234-1414

**OMAHA** - Myers Electric Co., Inc., 1458 South 16th Street, 68108, (402) 342-7710

## NEVADA

**LAS VEGAS** - Burney's Commercial Service, Inc., 4480 Aldebaran Avenue, 89103, (702) 736-0006

**MINDEN** - Valley Home & Sport Center, 1587 Highway 395, 89423, (702) 782-5111

## NEW HAMPSHIRE

## NEW JERSEY

**EAST RUTHERFORD** - Philips Consumer Electronics, 180 Manor Road, 07073, (201) 935-0600

**HAWTHORNE** - Ter Kuile, Inc., 206 Diamond Bridge Avenue, 07506, (201) 423-1142

**HIGHLAND PARK** - Dash Electronics, 10 N. 2nd Street, 08904, (908) 247-5124

**HOWELL** - South Jersey TV Service, Inc., 4232 Rt. 9 South, 07731, (908) 363-5550, (800) 244-3094

**OCEAN** - South Jersey TV Service, Inc., 1719 Route 35, 07712, (908) 531-3565

**SICKLERVILLE** - Sicklerville Hardware, 540 Williamstown Road, 08081, (609) 728-3800

**TOMS RIVER** - South Jersey TV Service, Inc., Stella Towne Center, 1258 Route 166, 08753, (908) 505-1771

**TOTOWA** - Philips Consumer Electronics, 140 J Commerce Way, 07512, (201) 890-0586

**TRENTON** - Tattersall, Inc., 309 N. Willow Street, 08618, (609) 393-4293

## NEW MEXICO

**ALBUQUERQUE** - Appliance Service Center, 5505 Silver Avenue, SE, 87108, (505) 265-7774

**CLOVIS** - Burns Hardware, 1511 N. Prince, 88101, (505) 769-2528

## NEW YORK

**BAYSHORE, L.I.** - Turnpike Appliance of Suffolk, Inc., 1253 Sunrise Highway, 11706, (516) 665-8311

**BINGHAMTON** - Hardware Fare DO-IT Center, 1139 Front Street, Nimmonsburg Square, 13905, (607) 722-9202

**BUFFALO** - Buffalo Appliance Repair Center, Inc., 20 Pannell Street, 14214, (716) 833-4677

**BUFFALO (WILLIAMSVILLE)** - Hector's Hardware, 876 Maple Road, 14221, (716) 688-4488

**COMMACK, L.I.** - Turnpike Appliance Service,

6181 Jericho Turnpike, 11725, (516) 499-3355

**ELMIRA** - Capabilities, Inc., 1149 Sullivan Street, 14901, (607) 734-2006

**GREAT NECK** - Turnpike Appliance Service Center, 45 Northern Boulevard, 11021, (516) 466-0644

**HUDSON** - Sweeps Vacuum & Repair Center, Inc., 705 Warren Street, 12534, (518) 828-5457

**PEEKSKILL** - Clark Appliance & Vacuum Service Corp., 950 Main Street, 10566, (914) 737-1368, (800) 765-0649

**POUGHKEEPSIE** - S & S Appliance Sales & Service, 390 Violet Avenue, 12601, (914) 452-6122

**RICHMOND HILL** - Lockdoctor Locksmiths, 104-37 Atlantic Ave., 11418 (718) 441-6242

**ROCHESTER** - Benfante Appliance Service, 1286 Mt. Hope Avenue, 14620, (716) 473-8765

**SEA CLIFF, L.I.** - Shabra Electronics, 400 Glen Cove Avenue, 11579, (516) 671-2218

**STATEN ISLAND** - Springstead Lumber 6232, 4255 Amboy Road, 10308, (718) 984-0300

**SYRACUSE** - County Wide Appliance, 1001 N. State Street, 13208, (315) 479-5253, (800) 333-3243

**TUCKAHOE** - Authorized Appliance of Westchester, 26 Columbus Ave., 10707, (914) 961-8011

**UTICA** - Oneida Bicycle & Sports Center, 2107 Whitesboro St., 13502, (315) 724-6084

**WARWICK** - Wadson Home Center, 60 Forester Avenue, 10990, (914) 986-2215, (800) 982-2215 (NY only)

**W. HEMPSTEAD L.I.** - Turnpike Appliance Service, 86 Hempstead Turnpike, 11552, (516) 486-5700, (800) 628-3911

## NORTH CAROLINA

**ASHEVILLE** - Skyland Hardware, 3179 Sweeten Creek Road, 28803, (704) 684-0308

**CHARLOTTE** - Authorized Appliance Servicer, 1020 Tuckaseegee Road, 28208, (704) 377-4501, (800) 532-6127

**CLINTON** - Danny's Service Center, 119 Vance Street, 28328, (910) 592-3200

**ELIZABETH CITY** - Coastal Office Equipment Co., 501 East Church Street, 27909, (919) 335-2927

**GREENSBORO** - Greensboro Shaver & Appliance, 430 North Eugene Street, 27401, (910) 273-1065

**HICKORY** - First Flight Bicycles, 2435 N. Center Street, 28601, (704) 324-9350

**RALEIGH** - Authorized Appliance Service Center, 800 North Person Street, 27604, (919) 834-3476

**STATESVILLE** - First Flight Bicycles, 216 S. Center St., 28677, (704) 878-9683

**WILMINGTON** - American Tool & Tractor, 102 Eastwood Road, Ste. D-9, 28403, (910) 392-5784

**WINSTON-SALEM** - Authorized Appliance Servicer, 904 South Marshall Street, 27117, (910) 725-5396

## NORTH DAKOTA

**FARGO** - General Parts & Supply Co., 10 S. 18th Street, 58103, (701) 235-4161, (800) 279-9987

## OHIO

**AKRON** - Advanced Appliance Service Company, 73 W. Exchange Street, 44308, (330) 762-8968

**CANTON** - Appliance Parts Co., 1267 Dueber Avenue, SW, 44706, (330) 453-8077

**CINCINNATI** - H&S Service, 458 Cincinnati Batavia Pike, 45244, (513) 528-0808

**CINCINNATI (SILVERTON)** - Brand Service Center, Inc., 6944 Plainfield Road, 45236, (513) 793-1170

**CLEVELAND** - Majors Appliance, 5845 Turney Road, 44125, (216) 663-4650

**CLEVELAND (MENTOR)** - Lake Erie Lawn & Garden, 7833 Munson Rd., 44060, (216) 257-9000

**CLEVELAND (PARMA)** - Majors Appliance, 5785 Ridge Road, 44129, (216) 884-7200

**CLEVELAND (WESTLAKE)** - Philips Consumer Electronics, 24090 Detroit Avenue, 44145, (216) 899-2040, (800) 331-7037

**DAYTON** - Layer Electric, 603 South Ludlow Street, 45402, (937) 224-9608

**DAYTON (NEW CARLISLE)** - Ballweg Do-It Center, 3300 South Dayton, Lakeview Rd., 45344, (937) 849-1306

**LIMA** - Crouse Lumber Do-It Center, 333 E. Market Street, 45801, (419) 229-9070, (800) 826-9663



# Authorized Service Centers

**NEW BOSTON** - True Value Toy Town, Rt. 52 & 139, 45662, (614) 456-5704

**STRYKER** - Short's Hardware, 115 N. Depot Street, 43557, (419) 682-4231

**TOLEDO** - Broadway Sales and Appliance Repair, 1621 Broadway, 43609, (419) 241-9731, (800) 436-5415

**YOUNGSTOWN** - O'Connor's, 3224 Market Street, 44507, (330) 782-4705

## OKLAHOMA

**OKLAHOMA CITY** - Brand Service Center, 538 N. Pennsylvania Avenue, 73107, (405) 235-0583

**TULSA** - H.L. Moss, Inc., 1714 E. 15th Street, 74104, (918) 744-1305, (800) 248-5948

## OREGON

**PORTLAND** - Appliance Repair Central, 3203 N. E. Sandy Blvd., 97232, (503) 234-7339, (800) 588-7339

## PENNSYLVANIA

**ALTOONA** - Frye's Sweeper & Sewing Center, Inc., 1400 Valley View Boulevard, 16602, (814) 943-5001, (800) 640-1308

**HARRISBURG** - C.A. Juillard, Inc., 2301 North Seventh Street, 17110, (717) 233-3488, (800) 633-3488

**JOHNSTOWN** - Cambria True Value Hardware, West Hills Square, Goucher Street, 15905, (814) 255-4752

**KINGSTON** - Vac-Way Appliance & Service, 595 Market Street, 18704, (717) 288-4508

**LITTLESTOWN** - Machinery Services, 830 West King Street, 17340, (717) 359-5051

**MOSCOW** - Vac-Way Appliance & Service, RR #6 Box 6237, 18444, (717) 842-4668

**ORANGEVILLE** - Hess Do-It Center & Market, Route 487, Box 4 M, 17859, (717) 683-5162

**PHILADELPHIA** - Appliance Care/Service Corp., 6407 Rising Sun Ave., 19111, (215) 725-3112

**PHILADELPHIA (COLLINGDALE)** - J.F. Kenney Electric, 920 MacDade Boulevard, 19023, (610) 534-7373

**PITTSBURGH** - Ferry Electric Service Co., 7498 McKnight Road, 15237, (412) 364-3403

**PITTSBURGH** - Ferry Electric Service Co., 140 Clairton Blvd., 15236, (412) 653-6004

**READING** - Electric Repair Co., 502-504 North 9th Street, 19604, (610) 376-5444, (800) 422-8171 (PA only)

**SCRANTON** - Vac-Way Appliance and Service, 601 Cedar Avenue, 18505, (717) 343-1121

**SHAMOKIN DAM** - Willard Battery Outlet, 138 S. Old Trail, 17876, (717) 743-5383

**TROY** - Hoover Hardware, 9 Canton, 16947, (800) 251-2156, (717) 297-3445

**WASHINGTON** - Murphy Family Inc., 585 East National Pike, 15301, (412) 225-0324

**WILKES-BARRE** - Walter Hardware DO-IT Center, 57 N. Welles Street, 18702, (717) 823-1406

**YORK** - Parcel Plus, 2549 E. Market Street, York Market Place, 17402, (717) 757-1875

## PUERTO RICO

**GATINEAU** - Les Equipements Brabant & Fils, 776B Blvd. Maloney, J8P 1G6, (819) 663-2526

**HATILLO** - Tropical Parts Service, P.O. Box 1335, Road 130 KM 8.5, 00659, (787) 898-6474

**MAYAGUEZ** - Cardona Appliance Service, 8 San Vicente Street, 00680, (787) 832-8366

**MAYAGUEZ** - Melendez Home Appliance Repair, Calle Post 319 Sur, 00680, (787) 832-5225

**PONCE** - Ferreteria Vivian, Centro Comercial, Los Caobos #7, 00731, (787) 840-0677

**PUERTO NUEVO** - Buckeye Service, 1013 Jesus T. Pinero Avenue, 00920, (787) 782-6175

## RHODE ISLAND

**PROVIDENCE** - Marshall Electric Co., 200 Broad Street, 02903, (401) 331-4482

## SOUTH CAROLINA

**CHARLESTON HEIGHTS** - Dorchester Electric Service, 3575 Dorchester Avenue, 29405, (803) 747-5221

**COLUMBIA** - Authorized Appliance Servicer, 1811

Taylor Street, 29202, (803) 254-8414

**DARLINGTON** - Hobbies and More, 1570 South Main Street, 29532, (803) 393-0355, FAX (803) 393-8171

**GREENWOOD** - Bikes & Boards & Mopeds, 203A Montague Avenue, 29646, (864) 229-2453

**SENECA** - Seneca Micronics, 110 East North First, 29678, (864) 882-6593

**SPARTANBURG** - Boiling Springs Hardware, 3124 Boiling Springs Rd, 29303, (864) 578-1852

**VARNVILLE** - P&S Small Engine & Variety Shop, 105 Carolina Avenue, West, 29944, (803) 943-9141

## TENNESSEE

**CHATTANOOGA** - Light Electric, 732 East 11th Street, 37403, (615) 267-9224

**KNOXVILLE** - Appliance & Electric Service Company, 4816-M Kingston Pike, 37919, (423) 588-5395, (800) 585-5395

**KNOXVILLE** - Authorized Appliance Service Center, 1206 North Central Street, 37917, (423) 524-3376

**MEMPHIS** - Camp Electric Co., 647 Madison Avenue, 38103, (901) 527-7543, (800) 238-7345

**NASHVILLE** - Webb's Appliance Service Center, Inc., 1519 Church Street, 37203, (615) 329-4079, (800) 899-4079

## TEXAS

**ABILENE** - Metro Small Appliance Service Co., 141 S. Clyde, 79605, (915) 672-1853

**AMARILLO** - Reid's Appliance Service, Inc., 906 Georgia, 79102, (806) 373-8812

**ANTHONY** - Villarreal & Sons Elec., 512 S. Third Street, 79821, (915) 886-3362

**AUSTIN** - Harrell Supply and Service, Inc., 5435 Burnet Road, 78756, (512) 451-6464, (800) 332-7250 (TX only)

**AUSTIN** - Harrell Supply and Service, Inc., 1409 West Oltorf, 78704, (512) 442-5966

**AUSTIN (ROUND ROCK)** - Harrell Supply, 907c Interstate Highway 35, 78664, (512) 388-0866

**CORPUS CHRISTI** - Brand Appliance & Microwave, 2751 South Staples, 78404, (512) 854-1851

**DALLAS** - Pearsol Appliance Co., 3127 Main Street, 75226, (214) 939-0930

**DALLAS** - All Type Sales and Service Co., Inc., 2835 Irving Blvd., 75207, (214) 638-1170, (800) 717-1170

**FT. WORTH** - Ft. Worth Shaver and Appliance Center, 1012 West 7th Street, 76102, (817) 335-9970

**HOUSTON** - Brand Service Center, 5727 Richmond Avenue, 77057, (713) 782-8910

**HOUSTON** - Brand Service Center, 1970 FM 1960, 77090, (713) 537-7795

**LAREDO** - Rubio Electric, 1719 San Bernardo, 78040, (210) 722-3908

**LONGVIEW** - Toys and Things, 918 NW Loop 281, 75604, (903) 759-3939

**LUBBOCK** - Minter's, 4409 50th Street, 79414, (806) 799-3170

**LUFKIN** - STS Audio and Video, 1505 South First Street, 75901, (409) 639-4529

**MC ALLEN** - All-In-One Repair Shop, 2313 Lark Avenue, 78504, (210) 682-8858

**MIDLAND** - Midland Tool Specialty, 918 South Main, 79701, (915) 682-4647, (800) 499-0755

**PASADENA** - Larry's TV Service, 3520 Fairmont Parkway, 77504, (713) 998-0122, (800) 244-0281

**ROMA** - True Value Hardware, 1004 E. Highway 83, (210) 849-1322

**SAN ANTONIO** - Brand Service Center, 7065 San Pedro Avenue, 78216, (210) 344-8577

**SEYMOUR** - Western Auto, 211 N. Main Street, 76308, (817) 888-3980

**TEMPLE** - Master Tech Repairs, 2819 West Avenue North, 76504, (817) 773-8991

**VICTORIA** - Tom's Video Service, 211 East Anaqua, 77901, (512) 576-0664, (800) 433-0664

**WICHITA FALLS** - Burke's Appliance Service, 2410 10th Street, 76309, (817) 723-6211

## UTAH

**OREM** - The Mending Shed, 1735 South State Street,

84058, (801) 225-8012, (800) 339-9297

**SALT LAKE CITY** - Appliance Service Center, Inc., 210 East 6th South, 84111, (801) 328-9703

## VERMONT

**RUTLAND** - Appliance Service Center Ltd., 152 Woodstock Avenue, 05701, (802) 773-8917

## VIRGINIA

**FREDERICKSBURG** - Logan Electric Service, Inc., 98 Industrial Drive, 22408, (540) 898-8873

**HARRISONBURG (PENN LAIRD)** - J.L. Maintenance & Repair, Inc., Route 2, Box 308, 22846, (540) 289-9844

**NEWPORT NEWS** - Commonwealth Electric Shaver Sales & Service, Inc., 10105 Jefferson Ave., 23605, (757) 595-6712

**NORFOLK** - Commonwealth Electric Shaver Sales & Service, Inc., 6612 E. Virginia Beach Blvd., 23502, (804) 461-4475

**ROANOKE** - Commonwealth Shaver & Appliance Service, 5524 Williamson Road, NW, 24012, (540) 366-6038

**SOUTH BOSTON** - South Boston True Value, 307 Broad Street, 24592, (804) 572-6666

**VIENNA** - Appliance Fix-It, 8455 Tyco Road, 22182, (703) 893-1234

**WINCHESTER** - Battery Mart of Winchester, Inc., 1 Battery Dr., 22601, (703) 655-0065

**WOODBRIDGE** - Baker's Appliance, 13314 Occoquan Road, 22191, (703) 490-5605

## WASHINGTON

**SEATTLE** - Ajax Electric, 2911 First Avenue South, 98134, (206) 622-9945

**SEATTLE (BELLEVUE)** - Action Small Appliance Service, 1500 145th Place, SE, 98007, (206) 643-9806

**SPOKANE** - SPARCO, West 45 2nd Avenue, 99204, (509) 624-8965

**SPOKANE** - SPARCO, N. 1119 Pines Rd., 99206, (509) 922-9666

## WEST VIRGINIA

**BECKLEY** - Jerry's Detectors, Vacuum & Appl. Svc., 411 Second Street, 25801, (304) 253-3521

**CHARLESTON** - Sneed's Vacuum & Sewing Center, 2614 7th Avenue, 25312, (304) 744-3670, (800) 245-8048 (WV only)

**HARRISVILLE** - Western Auto, 1107 E. Main St., 26362, (304) 643-2226

**HUNTINGTON** - Mike's Appliance and Service, 212 20th Street, 25703, (304) 522-0737

**MARTINSBURG** - Battery Mart, 1161-3 Winchester Avenue, 25401, (304) 267-7033, (800) 464-7918

**WHEELING** - Fast Service Center, 1058 Main Street, 26003, (304) 232-5561 (800) 874-4090

## WISCONSIN

**APPLETON** - G/Tech Electric Tool & Housewares Service, 600 W. College Ave., 54911, (414) 739-6064, (800) 400-6064

**GREENBAY** - Kastle Carts, Inc., 2301 N. Irwin Ave., 54313, (414) 465-6121

**LACROSSE** - Paul's Shaver Service, 1224 Caledonia Street, 54603, (608) 782-6291

**MADISON (MONONA)** - Kiefer's Shaver and Appliance, 4511 Monona Drive, 53716, (608) 221-3322

**MAUMETTE** - Della Do-It Center, W 1536 Highway 41, 54143, (715) 732-1768

**MILWAUKEE** - Brand Appliance Repair, Inc., 3707 North 92nd Street, 53222, (414) 461-0440

**MILWAUKEE** - Brand Appliance Repair, Inc., 6000 W. Oklahoma Street, 53219, (414) 541-4340



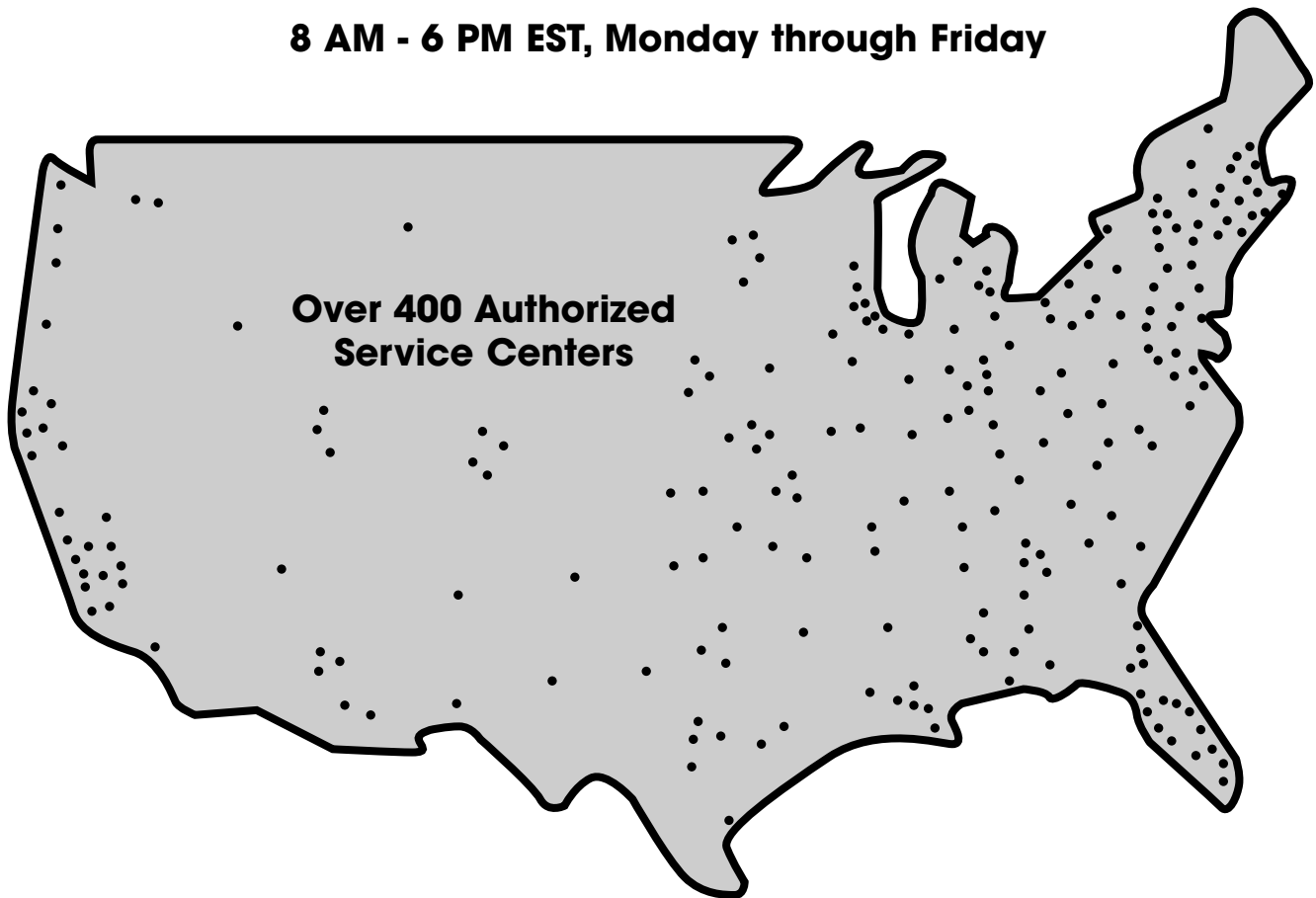
## Do Not Return Your Vehicle to the Store

If you are missing parts or need assistance, please call us toll-free:

**Power Wheels Consumer Affairs**

**1-800-348-0751**

**8 AM - 6 PM EST, Monday through Friday**



Or contact your local Power Wheels® Authorized Service Center.

For the location nearest you, refer to the  
Authorized Service Center list in this manual.



## Free Manuals Download Website

<http://myh66.com>

<http://usermanuals.us>

<http://www.somanuals.com>

<http://www.4manuals.cc>

<http://www.manual-lib.com>

<http://www.404manual.com>

<http://www.luxmanual.com>

<http://aubethermostatmanual.com>

Golf course search by state

<http://golfingnear.com>

Email search by domain

<http://emailbydomain.com>

Auto manuals search

<http://auto.somanuals.com>

TV manuals search

<http://tv.somanuals.com>