

Fisher-Price®

Fort Dakota

Product Number: 77029

Instructions

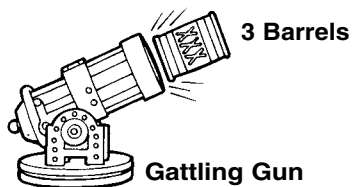
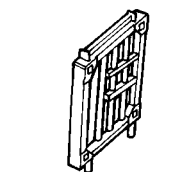
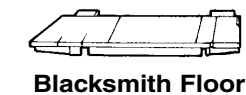
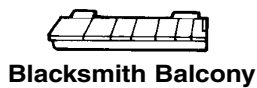
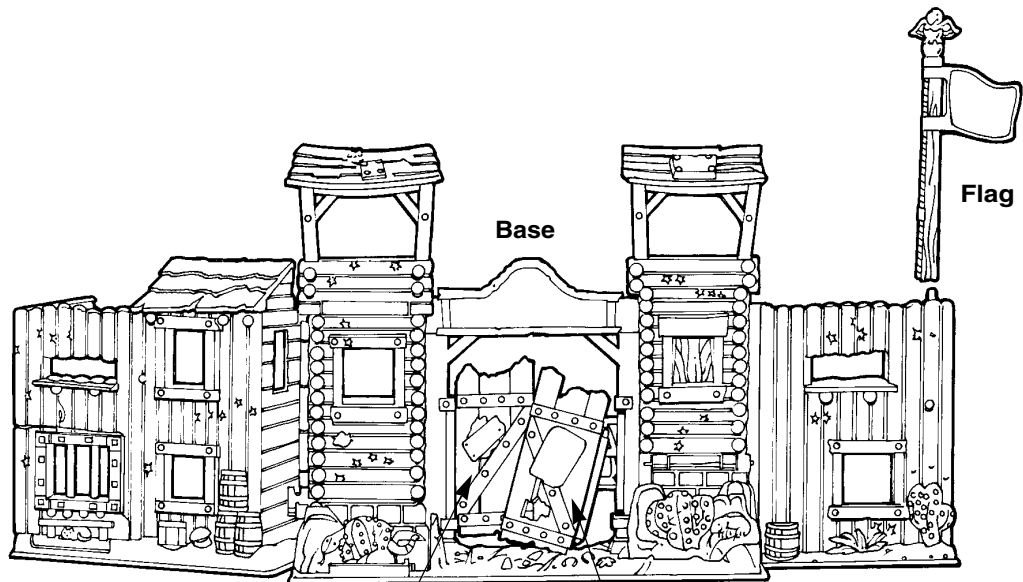


Please save these instructions for future reference.

Adult assembly is required. No tools needed for assembly.

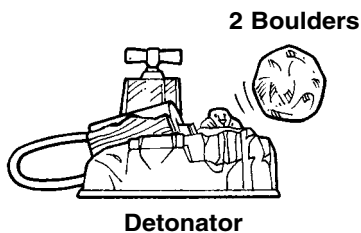
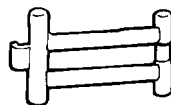
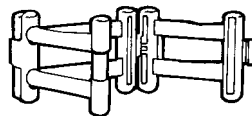
If you have any questions, please call Fisher-Price® Consumer Affairs, toll-free at **1-800-432-KIDS**, 8 AM - 5 PM EST Monday through Friday. Hearing-impaired consumers using TTY/TDD equipment, please call 1-800-382-7470. Or, write to: Fisher-Price® Consumer Affairs, 636 Girard Avenue, East Aurora, New York 14052.

Parts



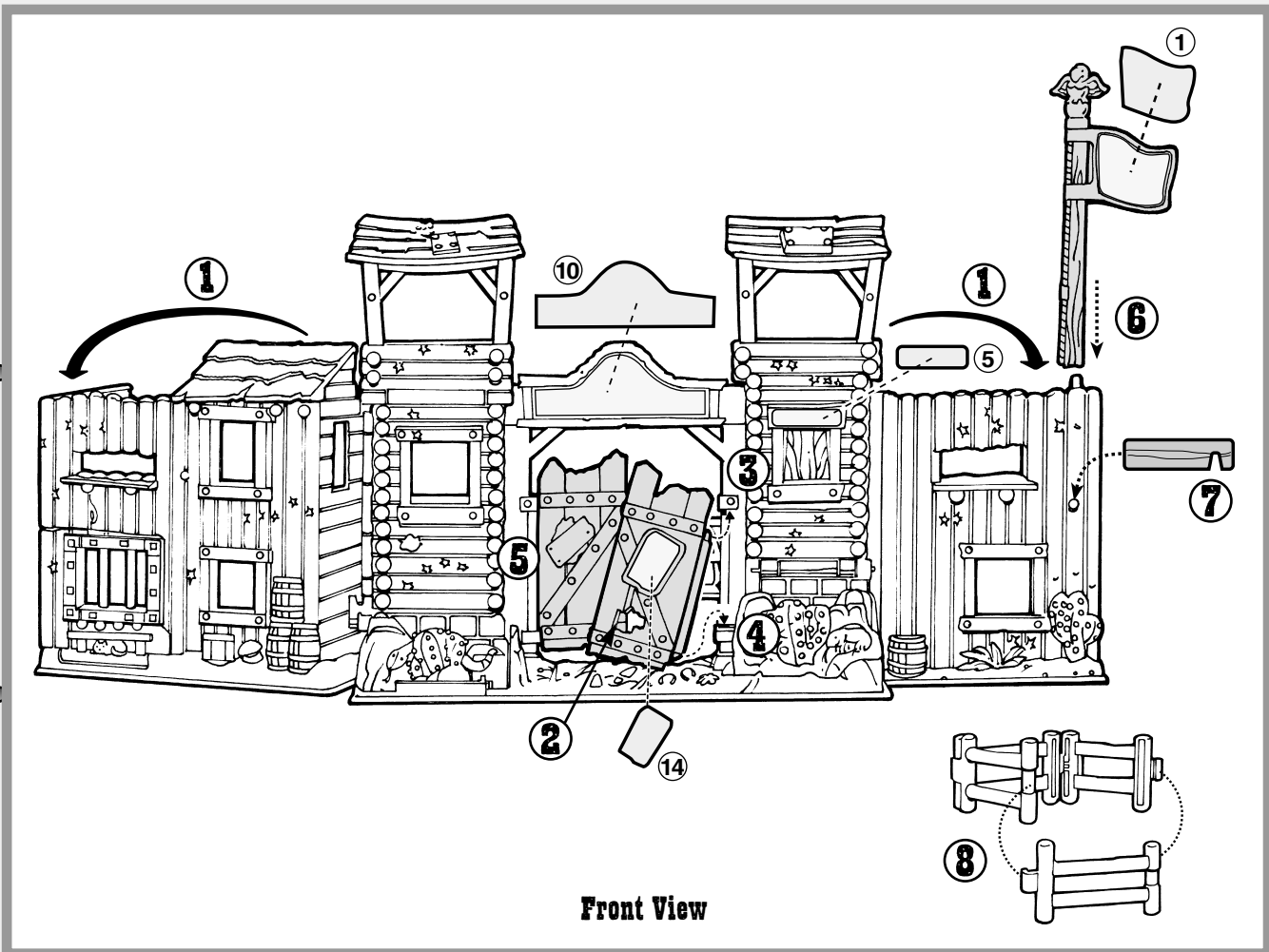
Left Main Door

Right Main Door



Parts Not Shown:
Label Sheet
Bed
Table
Chair
Large Ladder
Small Ladder
Leg Irons
Horse
2 Cavalrymen
2 Bandits

Assembly



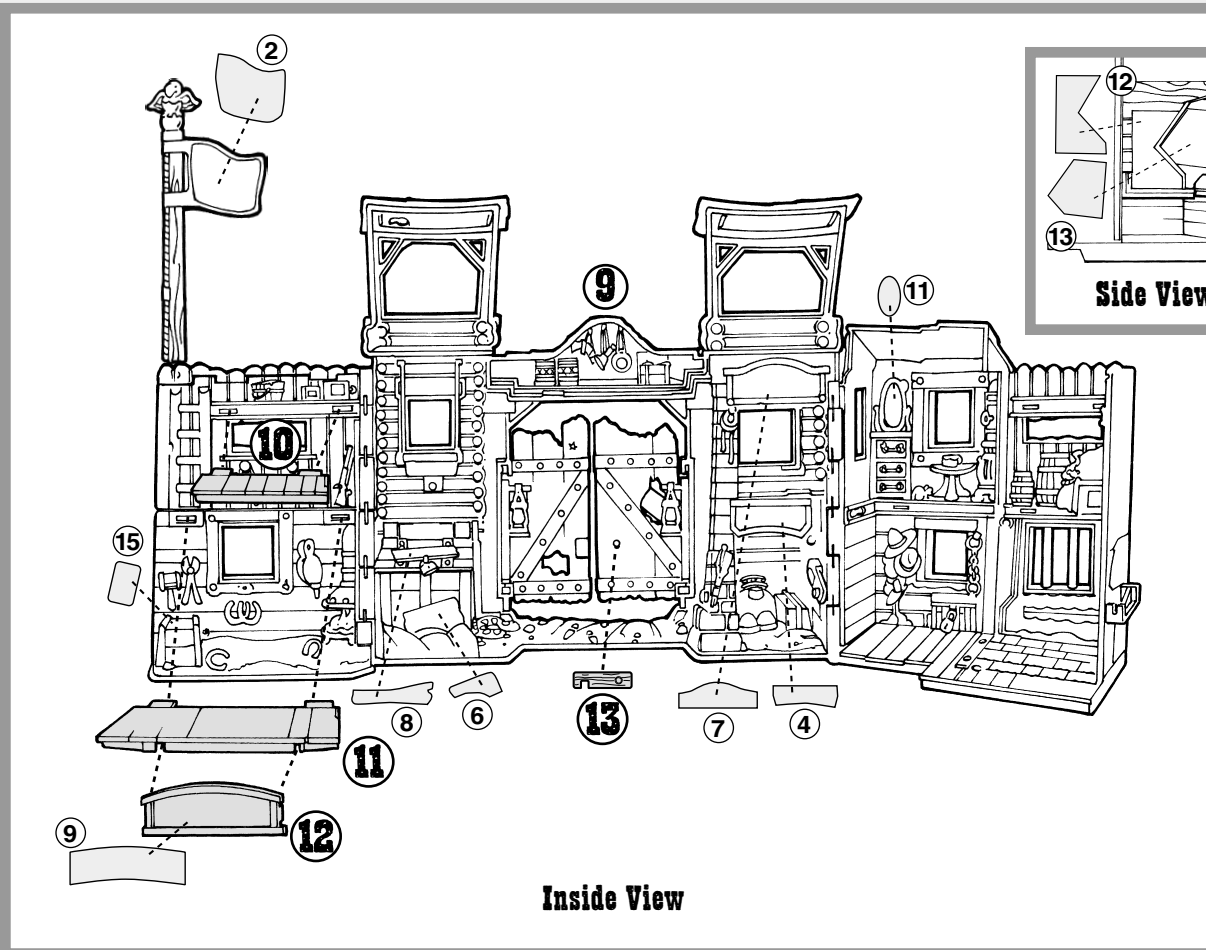
Front View

- 1 Open the base and position it so that the front faces you.
- 2 Position the right main door with the flat, rectangular area facing you.
- 3 Fit the right main door top peg into the upper hinge in the door opening.
- 4 Slide the right main door bottom peg into the lower hinge in the door opening.
- 5 Repeat this procedure to attach the left main door.
- 6 Fit the end of the flag post to the peg on the top surface of the base.
- 7 Insert and snap the peg on the toy latch into the hole in the front of the base, above the cactus.
- 8 Fit the fence clamps to fence posts to create the corral.

Proper label application will help to keep the labels looking their best.

- Wash your hands before applying the labels.
- Make sure the areas where the labels will be applied are clean and dry. Wipe this product with a clean, soft, dry cloth to remove any dust or oils.
- For best results, do not attempt to apply a label more than once.
- Apply the labels (#1, #5, #10 and #14) as shown in the illustration.

Assembly



9 Position the base so that the inside faces you.

10 Insert and snap the blacksmith shop balcony tabs into the slots in the blacksmith shop wall.

11 Insert and snap the blacksmith shop floor tabs into the slots in the blacksmith shop wall.

12 Insert and snap the tabs on the blacksmith shop sign into the slots in the blacksmith shop floor.

13 Insert and snap the peg on the main door lock into the hole on the main door.

Proper label application will help to keep the labels looking their best.

- Wash your hands before applying the labels.
- Make sure the areas where the labels will be applied are clean and dry. Wipe this product with a clean, soft, dry cloth to remove any dust or oils.
- For best results, do not attempt to apply a label more than once.
- Apply the labels (#2, #4, #6, #7, #8, #9, #11, #12, #13, #15) as shown in the illustrations.

Fisher-Price, Inc., a subsidiary of Mattel, Inc., East Aurora, NY 14052 U.S.A.

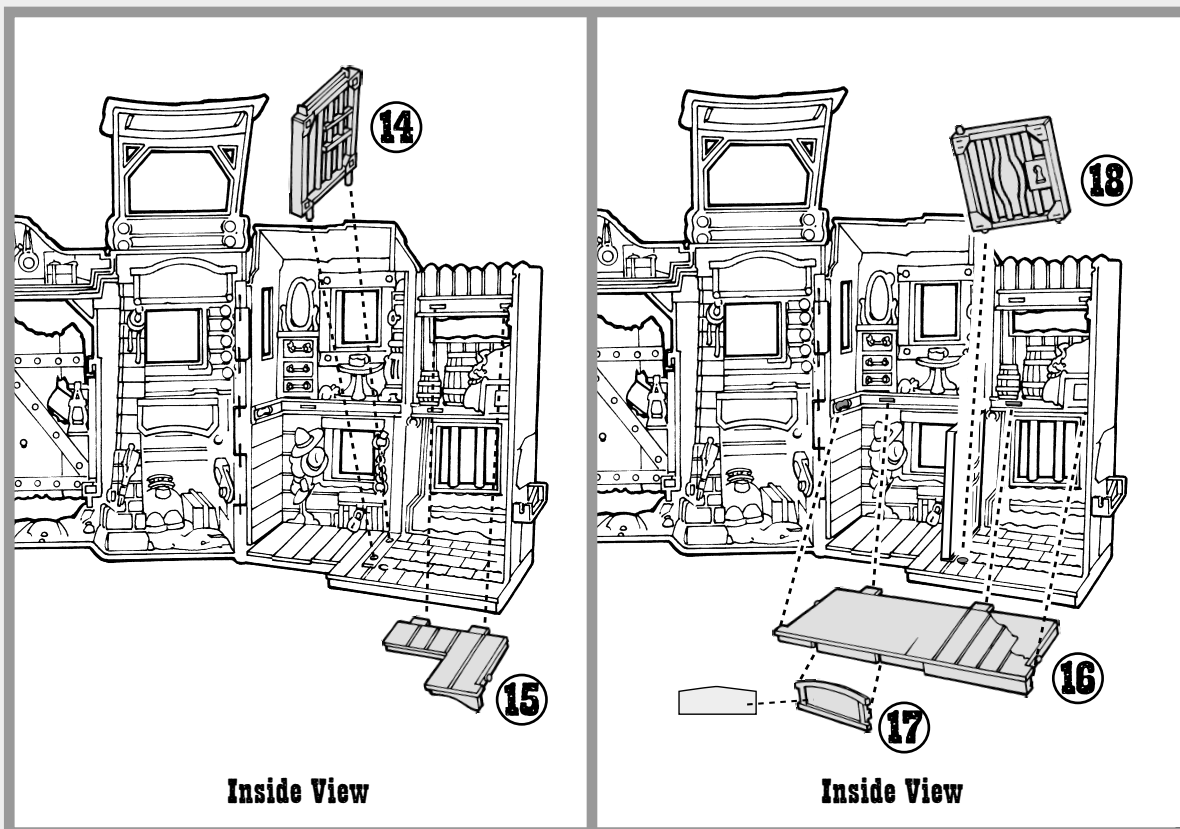
©1999 Mattel, Inc. All Right Reserved.

© and ™ designate U.S. trademarks of Mattel, Inc.

Printed in Italy

77029a-0920

Assembly



- 14** Fit the jail inner wall pegs into the holes in the base.
- 15** Insert the jail balcony tabs and peg into the slots in the jail front and side walls. Push on the jail balcony until the tabs snap into place.
- 16** Insert the jail floor tabs and pegs into the slots in the jail front and side walls. Make sure the top edge of the jail inner wall fits into the groove in the underside of the jail floor. Push on the jail floor until the tabs snap into place.
- 17** Insert and snap the tabs on the jail sign into the the slots in the jail floor.
- 18** At an angle, insert the jail inner door top peg into the hole in the jail floor. Slide the jail inner door bottom peg into the hole in the base. Apply label #3 as shown in the illustration.

If you have any questions about this product:

In Canada, call 1-800-567-7724, or write to: Mattel Canada Inc., 6155 Freemont Blvd., Mississauga, Ontario L5R 3W2.

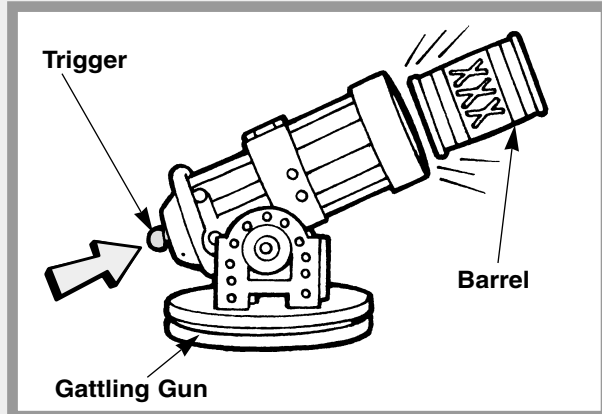
In Great Britain, telephone 01628 500303.

In Australia, Mattel Australia Pty. Ltd., 658 Church Street, Locked Bag #870, Richmond, Victoria 3121 Australia.
Consumer Advisory Service 1-800-800-812 (valid only in Australia).

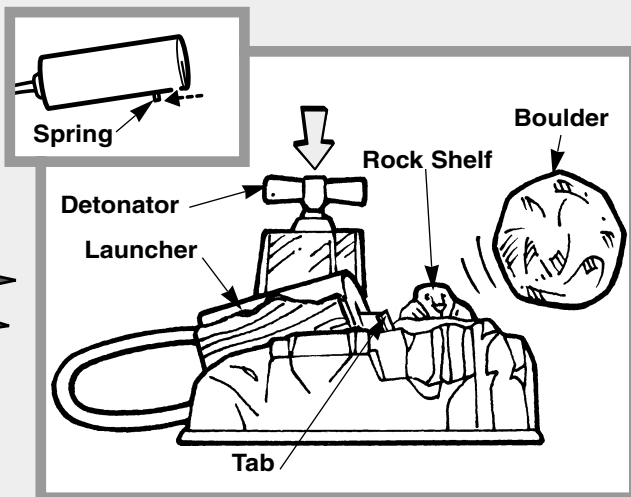
Launching Barrels & Boulders

⚠ CAUTION

- Only use the projectiles (barrels and boulders) supplied with this toy.
- Do not fire at people or animals.



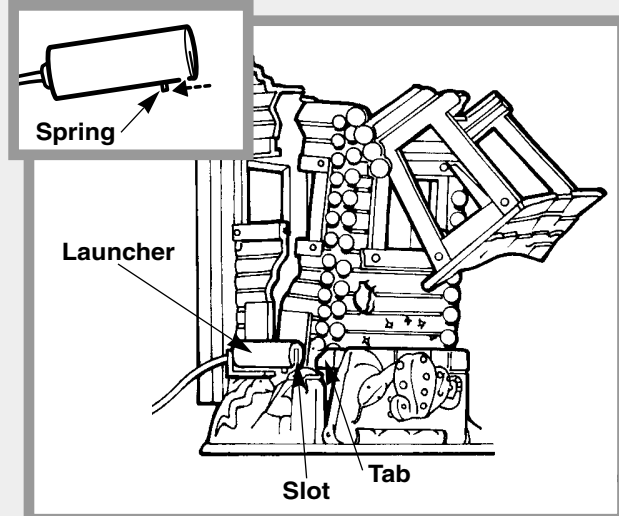
- Fit a barrel into the gattling gun. Press the barrel until the spring cocks.
- Press the trigger to launch a barrel!



- Press the spring to cock the launcher.
- Pull the tab on the rock shelf completely out.
- Fit the slot in the launcher onto the tab.
- Place a boulder on the rock shelf, in front of the launcher. Press the detonator to shoot the boulder.

Hint: Remove the launcher from the rock shelf to shoot boulders off of any fort surface.

Blow up the Tower!

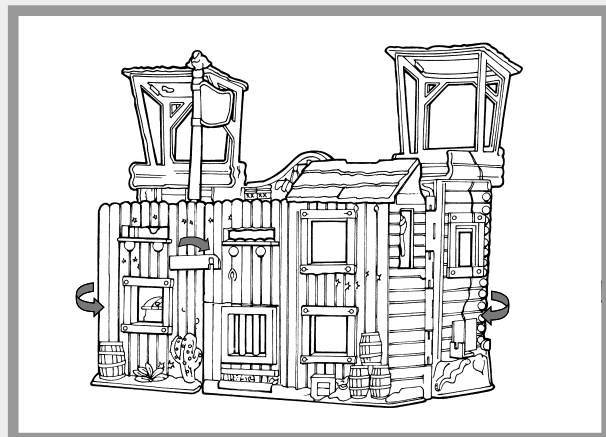


- Remove the launcher from the rock shelf.
- Press the spring to cock the launcher. Fit the slot on the launcher onto the tab on the tower.
- Press the detonator and watch the tower "crumble"!

Hint: To "re-assemble" the tower, simply lift the top of the tower to the upright position.

- You can also "blow" up the jail wall! Simply follow the same procedure.

Storage



- Place all accessories inside the fort.
- Rotate the side walls closed.
- Lower the toy latch over the peg to keep the fort closed.

Care

To clean, wipe the surface of this toy with a damp cloth. Do not immerse this toy.

Free Manuals Download Website

<http://myh66.com>

<http://usermanuals.us>

<http://www.somanuals.com>

<http://www.4manuals.cc>

<http://www.manual-lib.com>

<http://www.404manual.com>

<http://www.luxmanual.com>

<http://aubethermostatmanual.com>

Golf course search by state

<http://golfingnear.com>

Email search by domain

<http://emailbydomain.com>

Auto manuals search

<http://auto.somanuals.com>

TV manuals search

<http://tv.somanuals.com>