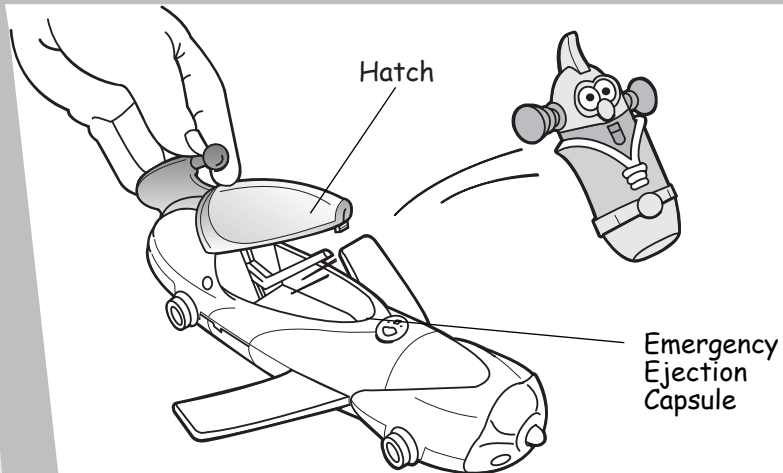


## Larry-Boy™ to the Rescue!



- Pull the hatch all the way back to activate the ejector seat!
- Hint:** The breakaway hatch may detach from the toy during play. If this happens, simply insert the hatch into the slot in the top of the toy and "snap" the hatch into place.

## Care

- To clean, wipe all parts with a damp cloth.
- Do not immerse this toy.

### ⚠ CAUTION

Do not fire the Larry-Boy figure at close range. Only use the Larry-Boy figure supplied with this toy.

## Questions? We'd like to hear from you!

Call Fisher-Price® Consumer Relations, toll-free at 1-800-432-KIDS, 8 AM - 6 PM EST Monday through Friday. Hearing-impaired consumers using TTY/TDD equipment, please call 1-800-382-7470. Or, write to: Fisher-Price® Consumer Relations, 636 Girard Avenue, East Aurora, New York 14052.

**CANADA**, Mattel Canada Inc., 6155 Freemont Blvd., Mississauga, Ontario L5R 3W2. Questions? 1-800-567-7724.

**GREAT BRITAIN**, Mattel U.K., Ltd., Helpline: 01628 500303.

**AUSTRALIA**, Mattel Australia Pty. Ltd., 658 Church Street, Locked Bag #870, Richmond, Victoria 3121 Australia. Consumer Advisory Service 1-800-800-812 (valid only in Australia).

Fisher-Price, Inc., a subsidiary of Mattel, Inc., East Aurora, NY 14052 U.S.A.

©2000 Mattel, Inc. All Rights Reserved. Fisher-Price, Larry-Boy and Larrymobile are trademarks of Mattel, Inc.

VeggieTales® is a registered trademark of Big Idea Productions, Inc.

©2000 Big Idea Productions, Inc. All rights reserved. Used with permission.

Printed in China  
77492b-0920

# Fisher-Price®

Model Number 77492

## Larrymobile™

Big Idea's  
**VeggieTales®**



Product features may vary from the picture above.

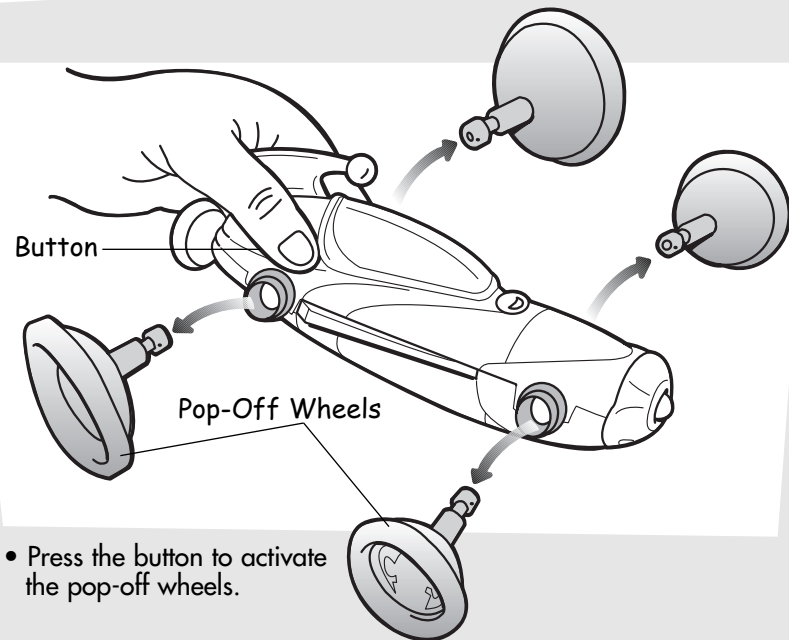
VeggieTales® is a registered trademark of Big Idea Productions, Inc.  
©2000 Big Idea Productions, Inc. All rights reserved.

Please save these instructions for future reference.  
No assembly is required.

Learn more about VeggieTales® at  
[www.veggieTales.com](http://www.veggieTales.com)

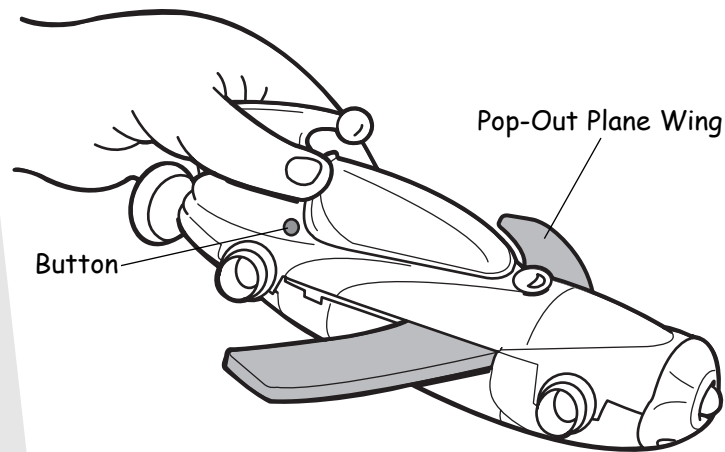
[www.fisher-price.com](http://www.fisher-price.com)

## Here comes the Larrymobile™



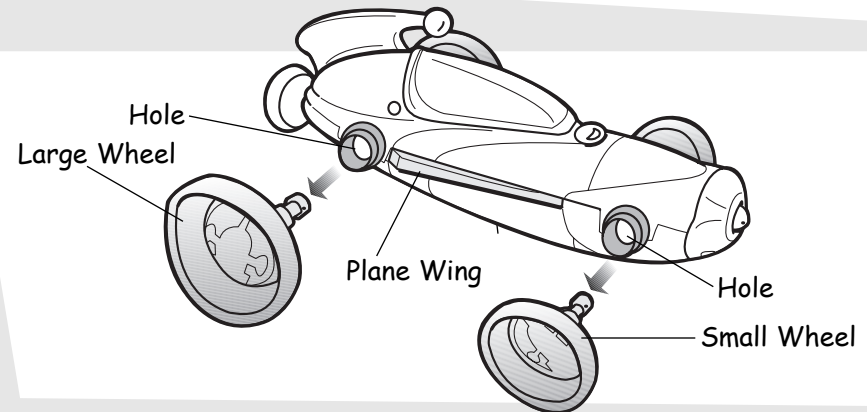
- Press the button to activate the pop-off wheels.

## Look out for the Larryplane



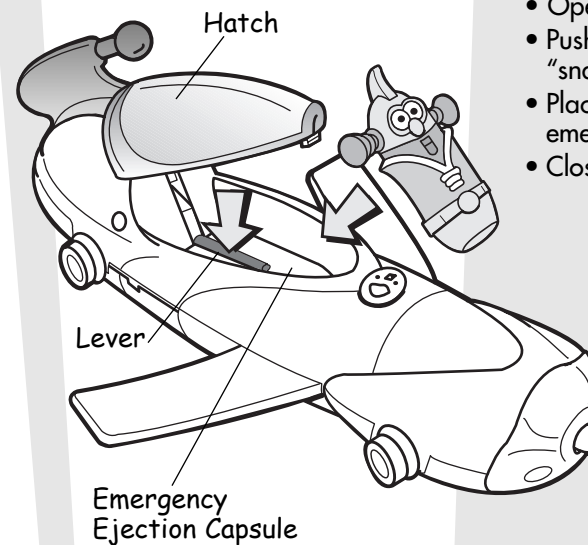
- Release the button to activate the pop-out plane wings.

## Re-attaching the Wheels



- Press both plane wings into the vehicle body until the wings "click" into place.
- Insert each small wheel into each hole in the front of the Larrymobile.
- Insert each large wheel into each hole in the back of the Larrymobile.
- Push each wheel in until you hear each wheel "click" into place.

## The Emergency Ejection Capsule



- Open the hatch.
- Push the lever down until it "snaps" into place.
- Place Larry-Boy inside the emergency ejection capsule.
- Close the hatch.

## Free Manuals Download Website

<http://myh66.com>

<http://usermanuals.us>

<http://www.somanuals.com>

<http://www.4manuals.cc>

<http://www.manual-lib.com>

<http://www.404manual.com>

<http://www.luxmanual.com>

<http://aubethermostatmanual.com>

Golf course search by state

<http://golfingnear.com>

Email search by domain

<http://emailbydomain.com>

Auto manuals search

<http://auto.somanuals.com>

TV manuals search

<http://tv.somanuals.com>