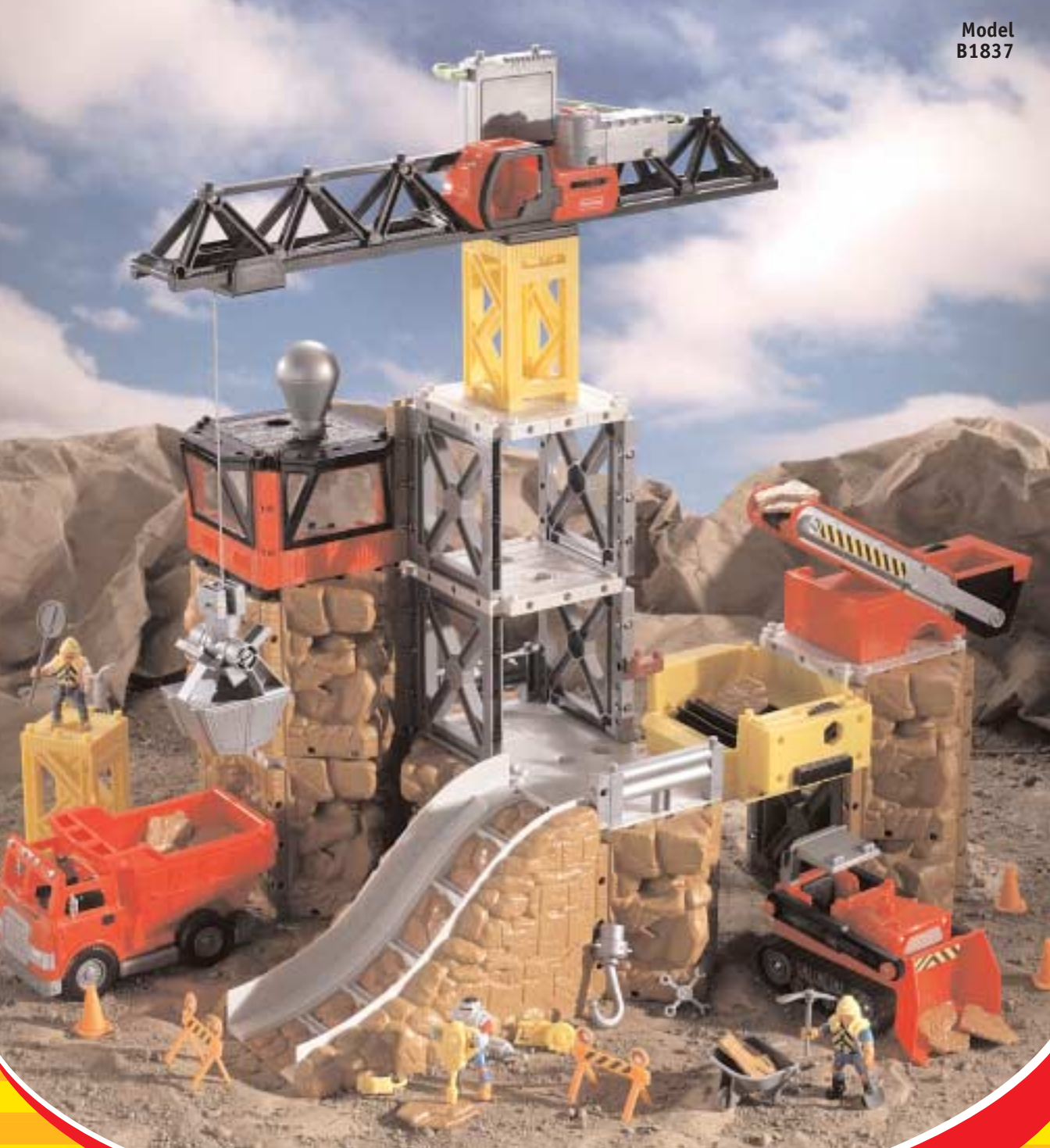


Model  
B1837



**imaginext** SYSTEM™

Fisher-Price®

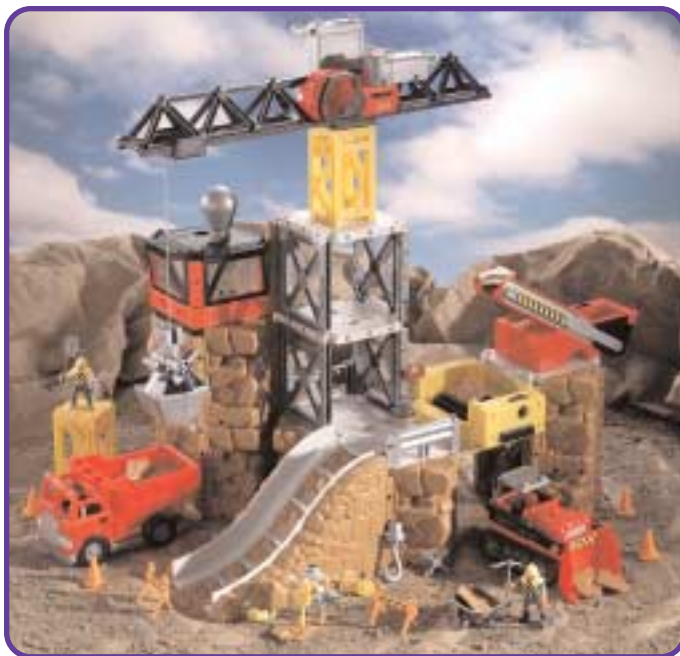
[www.fisher-price.com](http://www.fisher-price.com)

Download from [www.Somanuals.com](http://www.Somanuals.com). All Manuals Search And Download.

# Welcome to the Imaginext™ System

**The Imaginext™ system lets your child's imagination come alive. With Quick-Snap panels™, kids can build different structures in lots of different ways. Use some of the parts or all of them!**

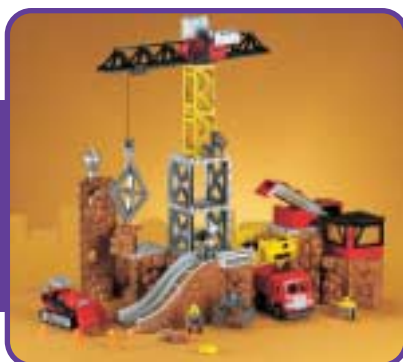
*Preschool children will enjoy using all parts of this toy to build structures of their own creation. At first they will need parental assistance to build the structure on the front cover. It may be easier to use our step-by-step instructions and give your preschooler only the parts that will be assembled in each step. The more your child plays with this toy, and development and skill increases, the less assistance your child will need!*



◀ **For first time use, we recommend building the assembly shown inside these instructions.**

***This assembly is recommended for active play.***

***Try these other assemblies!***

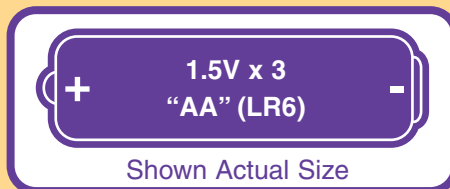
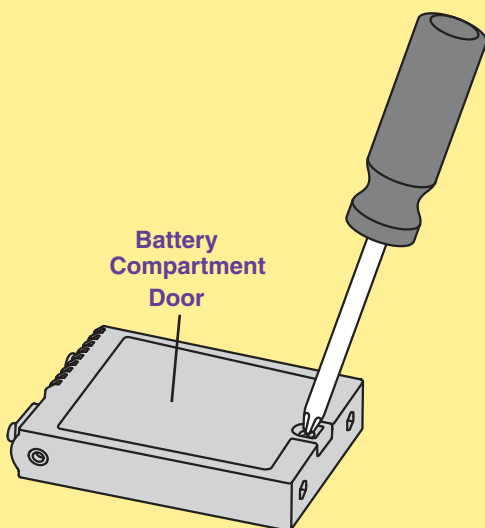


# Battery Installation

- Locate the battery compartment door on the power box.
- Loosen the screw in the battery compartment door with a Phillips screwdriver. Remove the battery compartment door.
- Insert three, "AA" (LR6) **alkaline** batteries, as indicated inside the battery compartment.

**Hint:** We recommend using **alkaline** batteries for longer battery life.

- Replace the battery compartment door and tighten the screw with a Phillips screwdriver. Do not over-tighten.
- When using the power box and movement slows or stops, it's time for an adult to change the batteries!



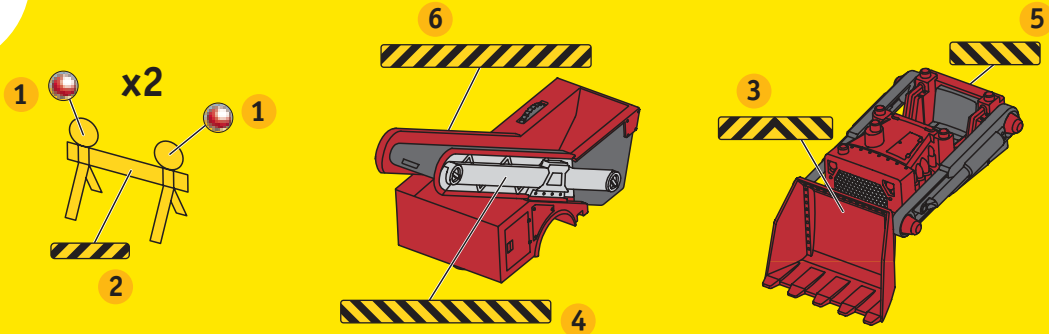
## Battery Safety Information

Batteries may leak fluids that can cause a chemical burn injury or ruin your toy. To avoid battery leakage:

- Do not mix old and new batteries or batteries of different types: alkaline, standard (carbon-zinc) or rechargeable (nickel-cadmium).
- Insert batteries as indicated inside the battery compartment.
- Remove batteries during long periods of non-use. Always remove exhausted batteries from the toy. Dispose of batteries safely. Do not dispose of batteries in a fire. The batteries may explode or leak.
- Never short circuit the battery terminals.
- Use only batteries of the same or equivalent type, as recommended.
- Do not charge non-rechargeable batteries.
- Remove rechargeable batteries from the toy before charging.
- If removable, rechargeable batteries are used, they are only to be charged under adult supervision.

# Let's Build It!

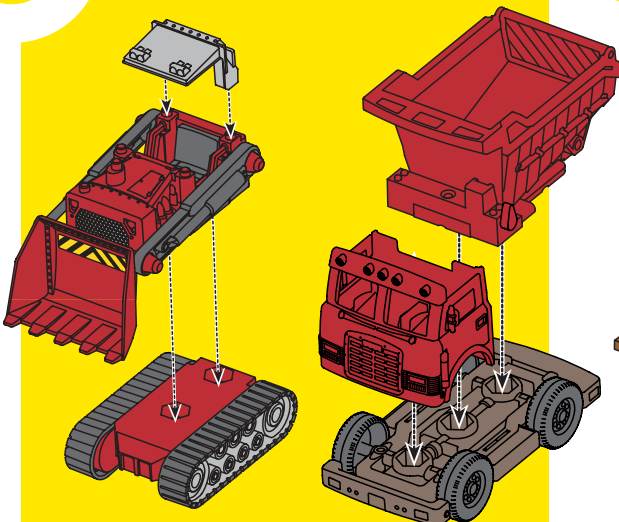
1.



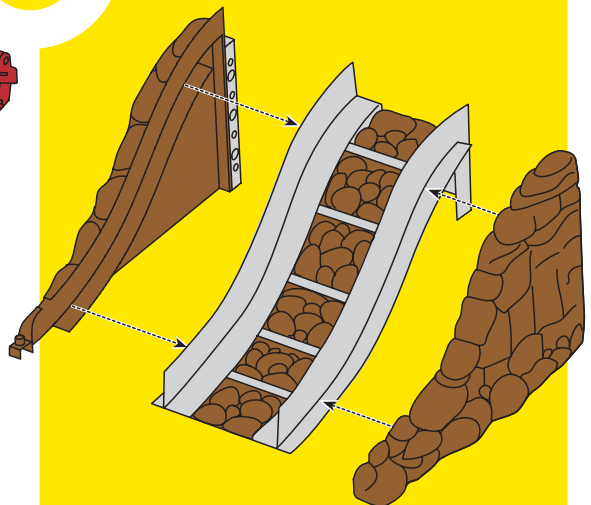
Proper label application will help to keep the labels looking their best! When applying labels, keep the following guidelines in mind:

- Wash your hands before applying the labels.
- Before applying the labels, wipe the surfaces of this toy with a clean, dry cloth to remove any dust or oils.
- Place the labels exactly as shown in the illustrations.
- For best results, avoid repositioning a label once it has been applied.

2.

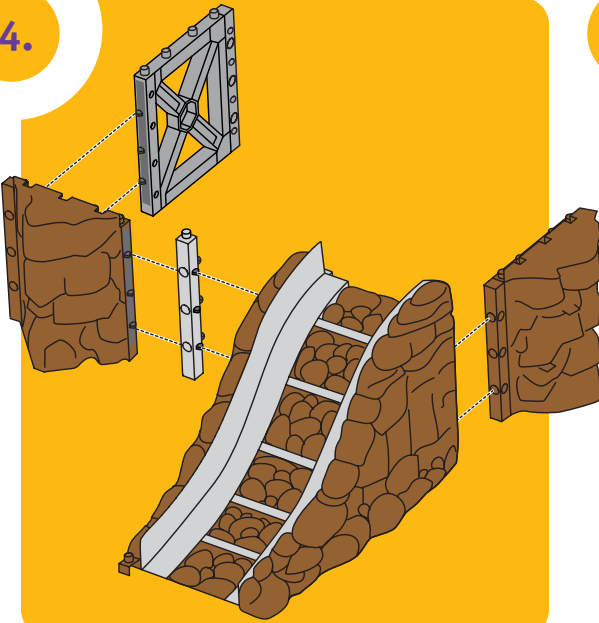


3.

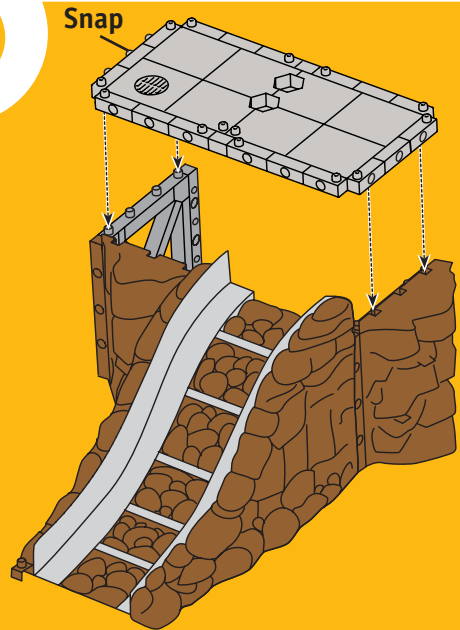


# Let's Build It!

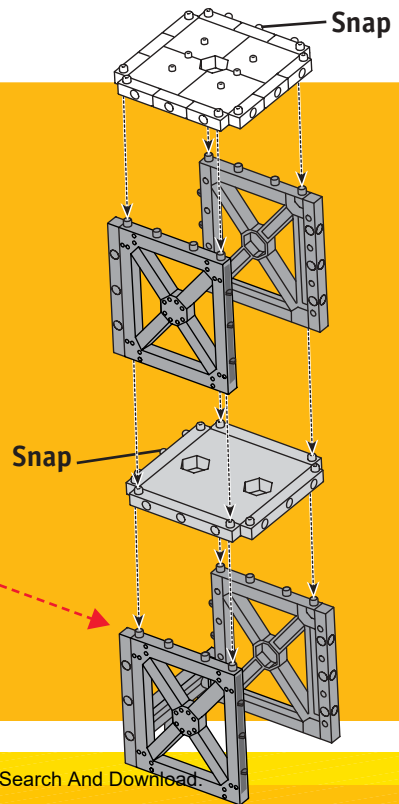
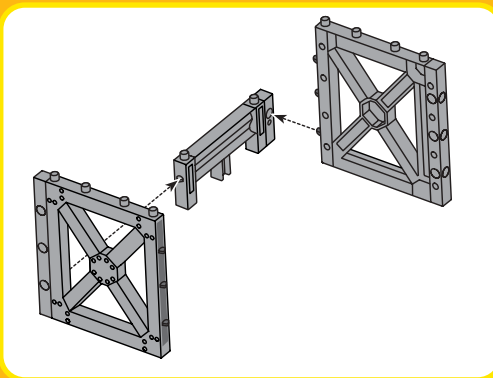
4.



5.

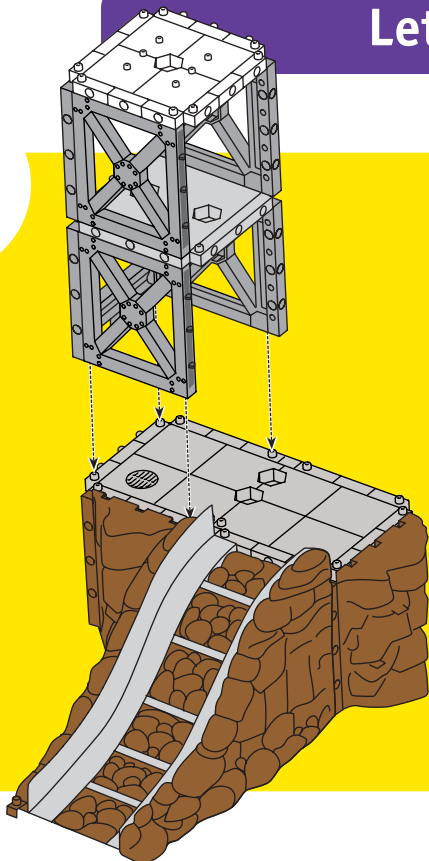


6.

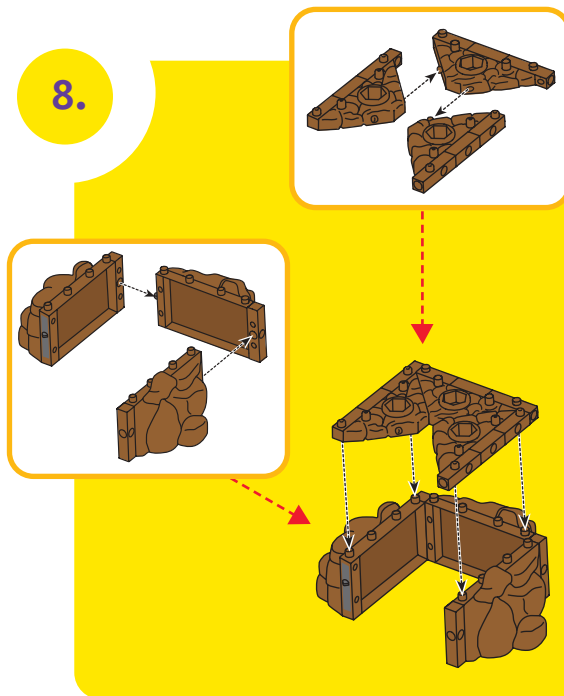


# Let's Build It!

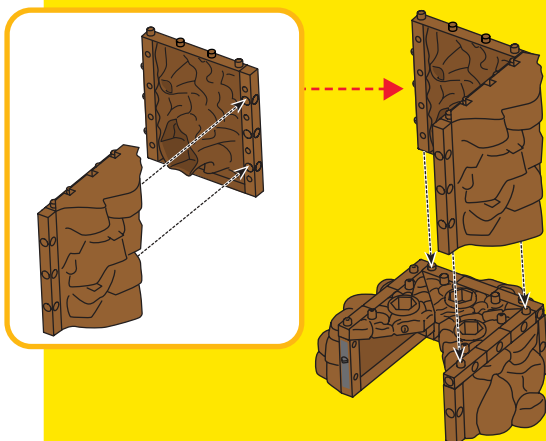
7.



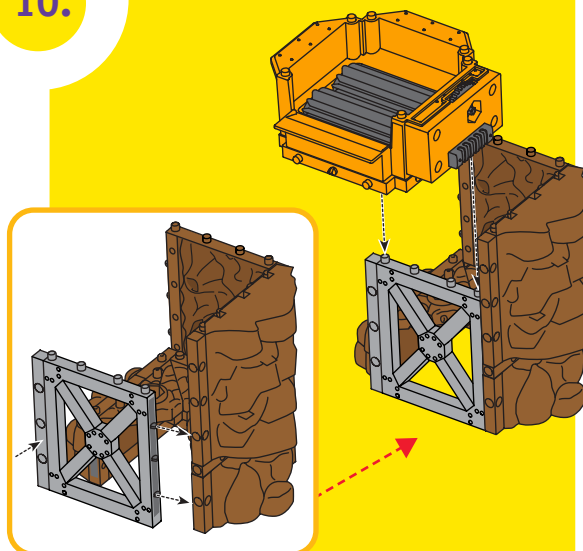
8.



9.

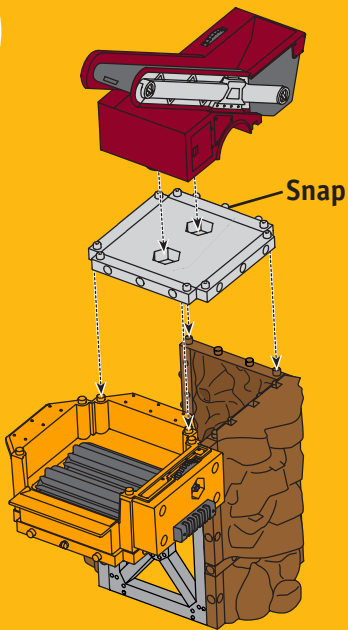


10.

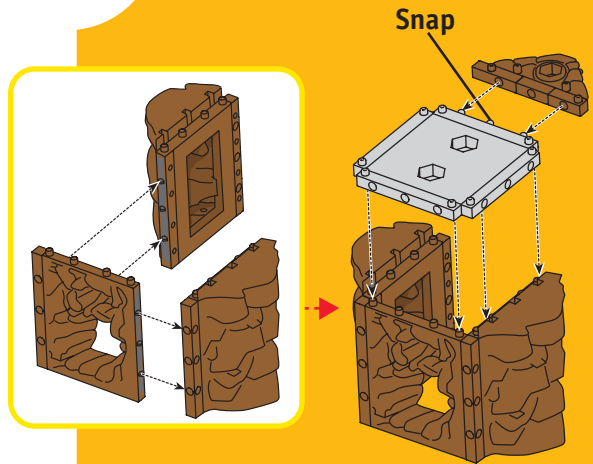


# Let's Build It!

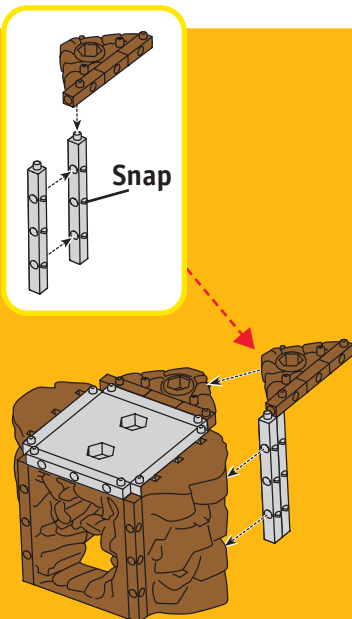
11.



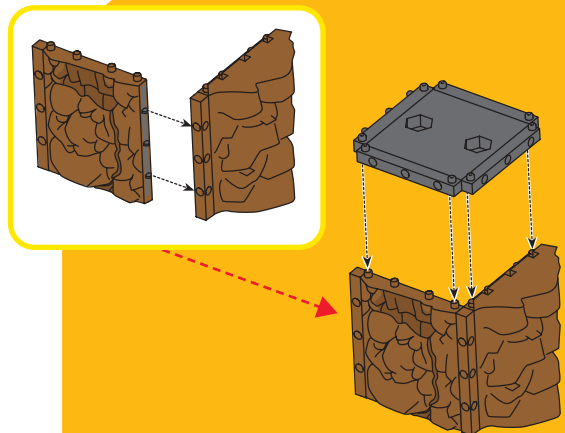
12.



13.

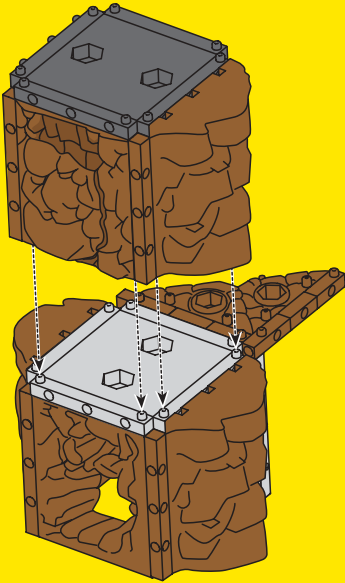


14.

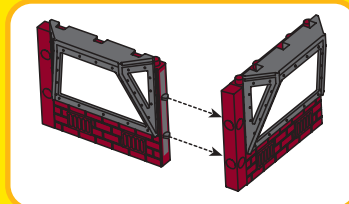
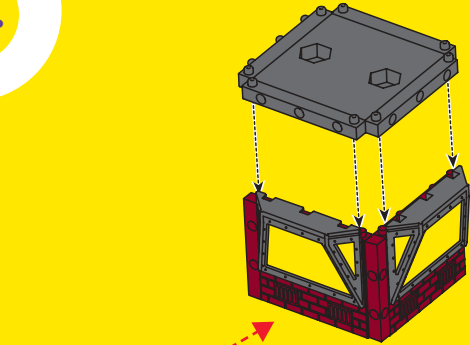


# Let's Build It!

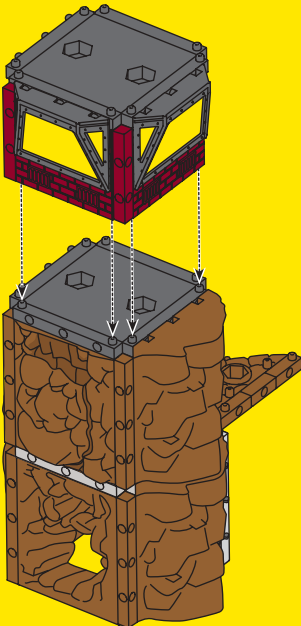
15.



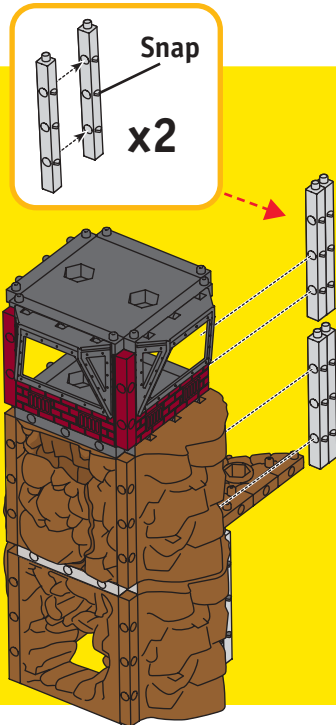
16.



17.



18.

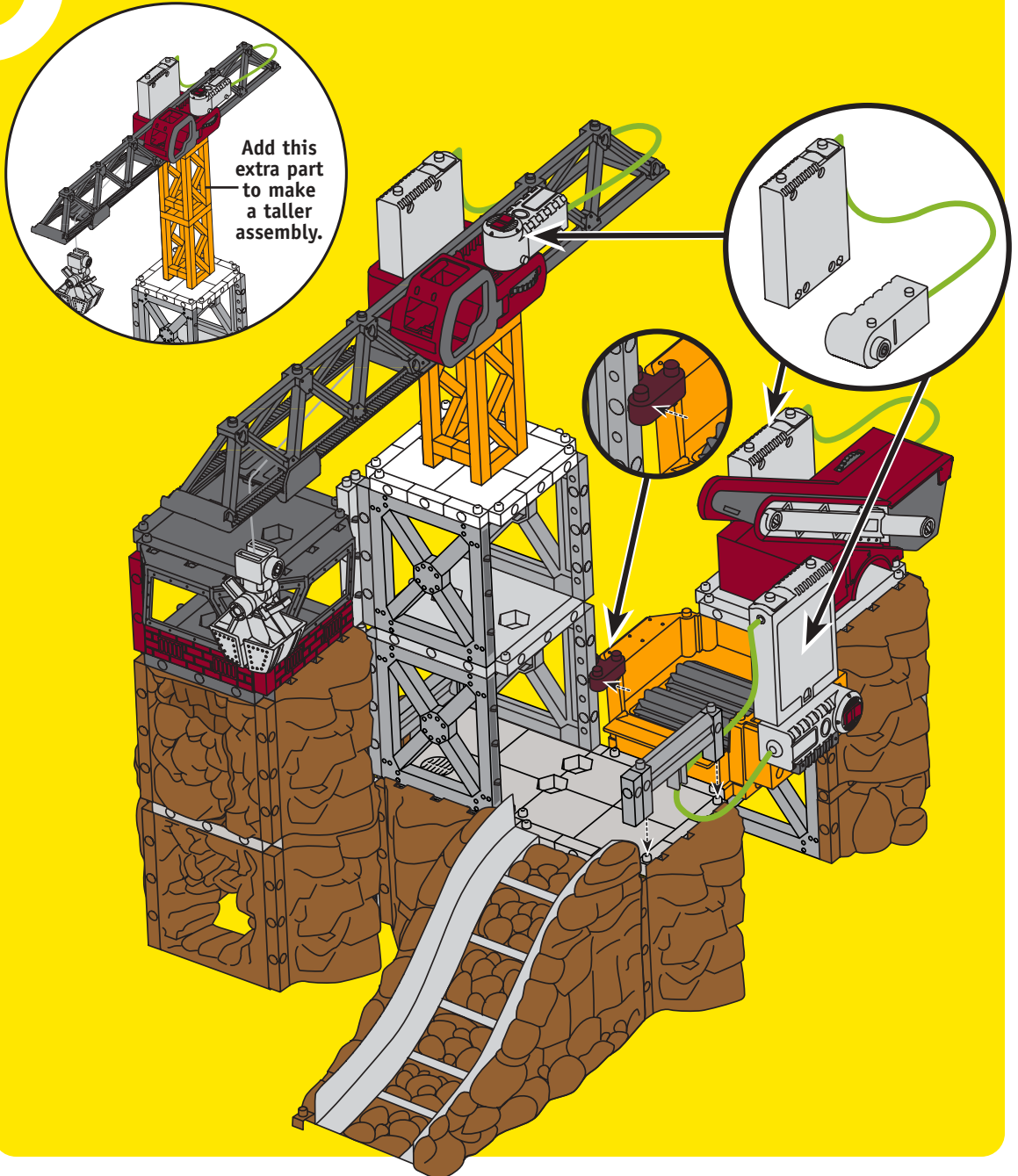




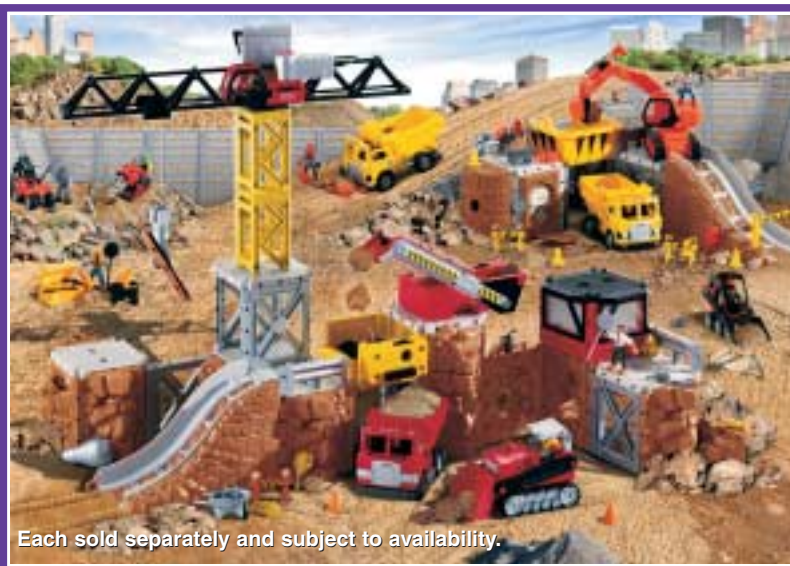


# Let's Build It!

22.



# Imagine... So Many Ways To Build



Each sold separately and subject to availability.

## Building System Tips

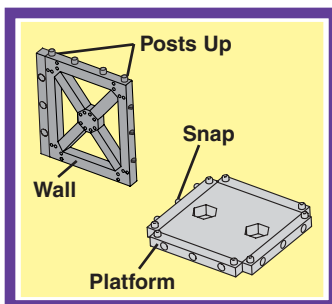
Here are a few basic tips of the Imaginext System!

### Posts Up

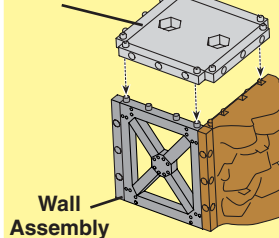
Posts on walls should always face up.

### Locate Snaps

Note the locations of the snaps on platforms.



### Platform

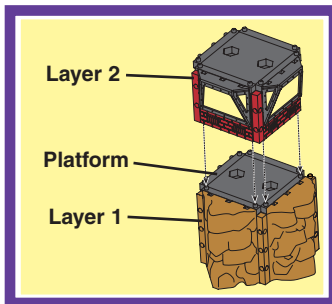


### Walls Before Platforms

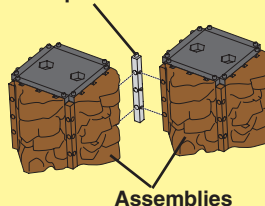
Assemble walls before attaching to a platform.

### Build Up

Build the bottom layer first, then build additional layers. Use a platform between each layer of your design.



### Spacer



### Spacers Between Assemblies

Use a spacer to connect assemblies when needed.



## WARNING

Warning – Choking Hazard. Not recommended for children under 3 years because it contains small parts that can be swallowed.

**Please keep this instruction sheet for future reference, as it contains important information.  
For children 4-10 years.**

### Care

Wipe the toy with a clean cloth dampened with a mild soap and water solution.  
Do not immerse the toy.

### Questions? We'd like to hear from you!

Call Fisher-Price® Consumer Relations, toll-free at **1-800-432-5437**, 8 AM - 6 PM EST  
Monday through Friday. Hearing-impaired consumers using TTY/TDD equipment,  
please call 1-800-382-7470. Or, write to:

Fisher-Price® Consumer Relations, 636 Girard Avenue, East Aurora, New York 14052, U.S.A.

For other countries outside the United States: **Canada:** call **1-800-567-7724**, or write to: Mattel Canada Inc.,  
6155 Freemont Blvd., Mississauga, Ontario L5R 3W2. **Great Britain:** telephone **01628 500302**.  
**Australia:** Mattel Australia Pty. Ltd., 658 Church Street, Locked Bag #870, Richmond, Victoria 3121 Australia.  
Consumer Advisory Service 1300 135 312. **New Zealand:** 16-18 William Pickering Drive, Albany 1331, Auckland.  
**Asia:** Mattel East Asia Ltd, Room 1106, South Tower, World Finance Centre, Harbour City, Tsimshatsui, HK, China.

## Free Manuals Download Website

<http://myh66.com>

<http://usermanuals.us>

<http://www.somanuals.com>

<http://www.4manuals.cc>

<http://www.manual-lib.com>

<http://www.404manual.com>

<http://www.luxmanual.com>

<http://aubethermostatmanual.com>

Golf course search by state

<http://golfingnear.com>

Email search by domain

<http://emailbydomain.com>

Auto manuals search

<http://auto.somanuals.com>

TV manuals search

<http://tv.somanuals.com>