

Model
B9774



imaginext SYSTEM

Fisher-Price

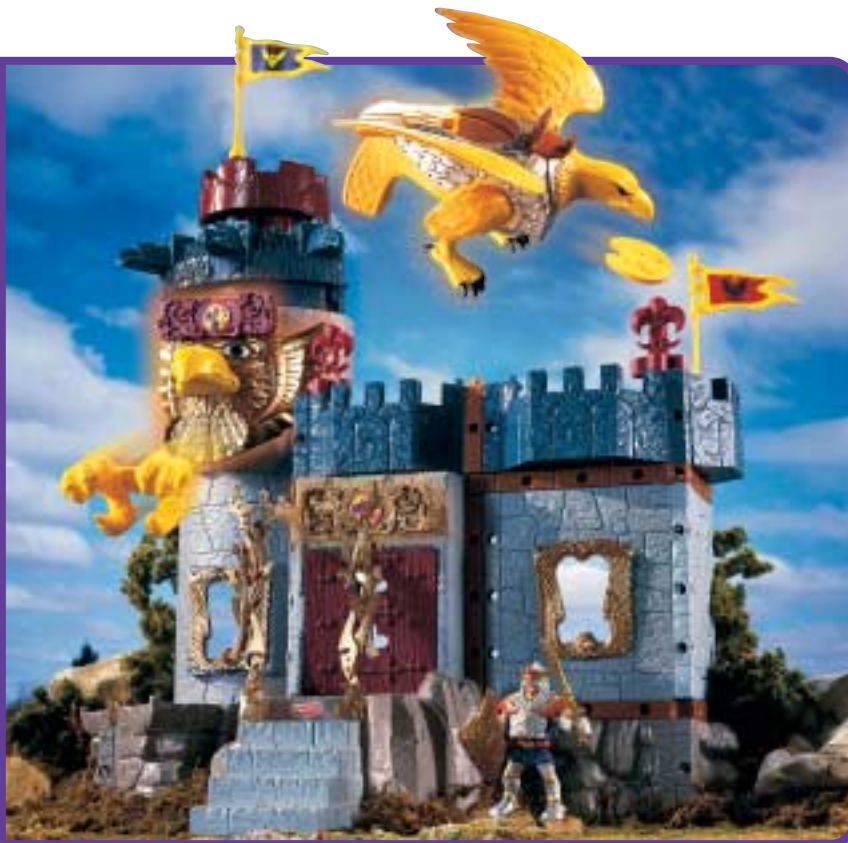
www.fisher-price.com

Download from www.Somanuals.com. All Manuals Search And Download.

Welcome to the Imaginext™ System

Younger children & those new to the Imaginext™ System

Use our step-by-step instructions to build the structure shown on the cover of this booklet. Encourage your child to assist you with some of the simple steps. This assembly is ideal for active play and it can be used as a playset rather than a building toy.



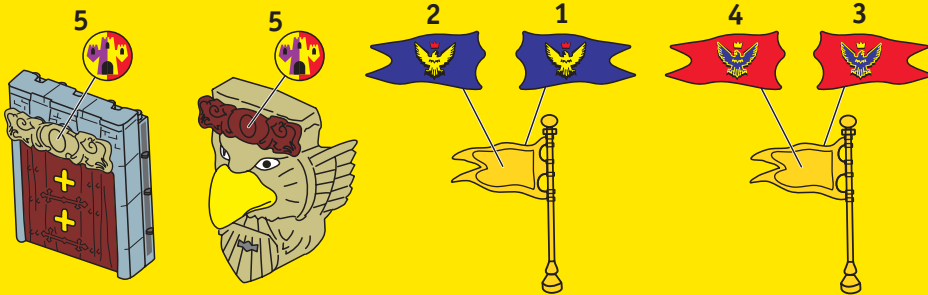
Older children and experienced Imaginext™ System users

The more your child plays with this toy, and development and skill increases, the less assistance your child needs! Experienced Imaginext™ users will enjoy using all parts of this toy to build their own structures or try building an alternate assembly shown below.



Let's Build It!

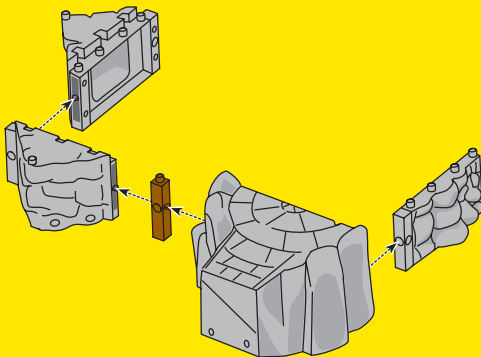
1.



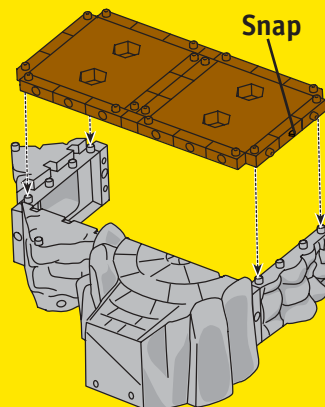
• Proper label application will help to keep the labels looking their best! When applying labels, keep the following guidelines in mind:

- Wash your hands before applying the labels.
- Before applying the labels, wipe the surfaces of this toy with a clean, dry cloth to remove any dust or oils.
- Place the labels exactly as shown in the illustrations.
- For best results, avoid repositioning a label once it has been applied.

2.

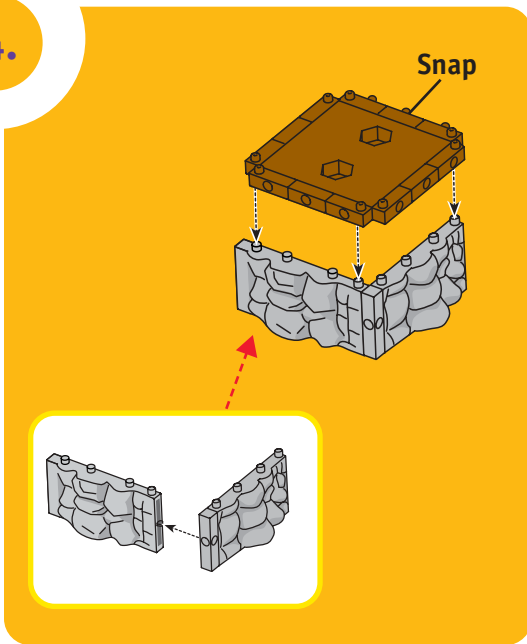


3.

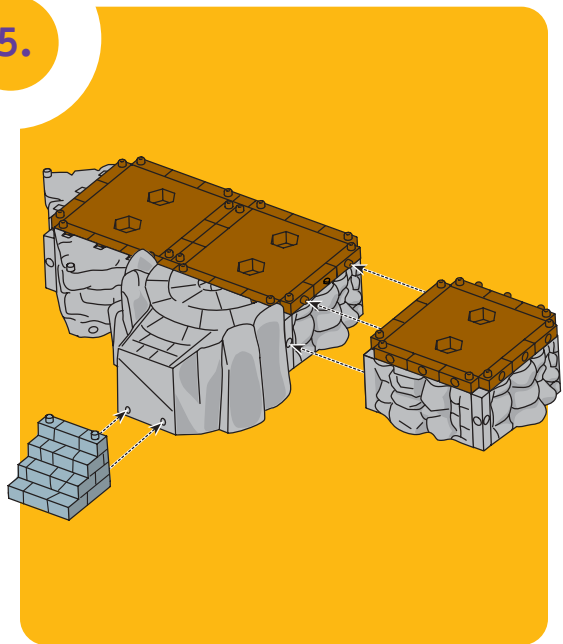


Let's Build It!

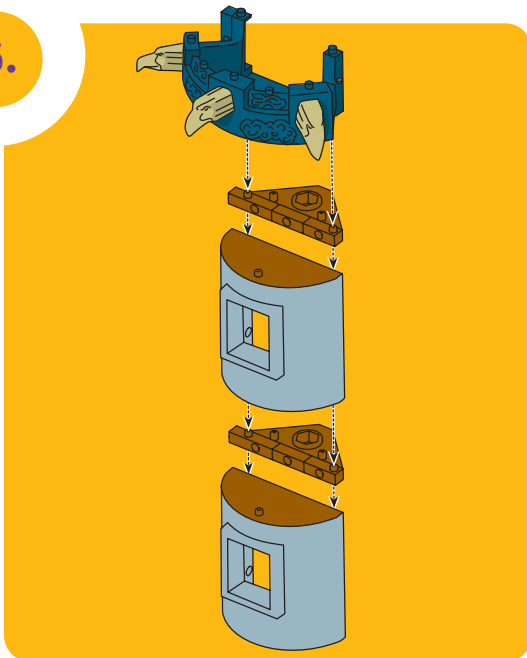
4.



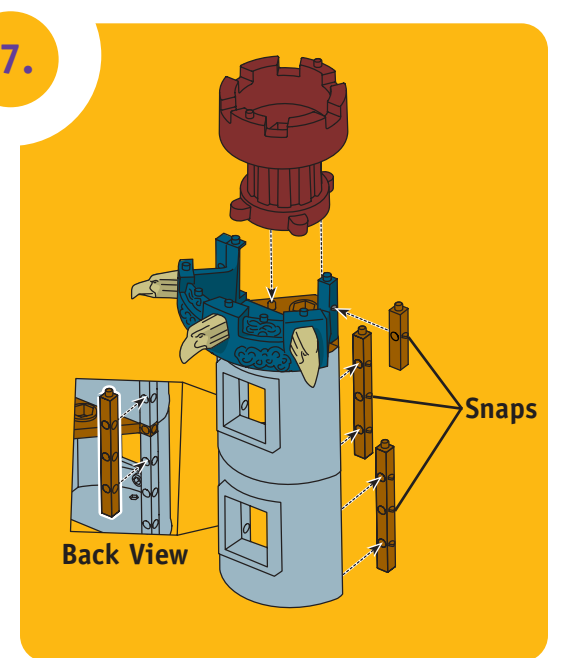
5.



6.

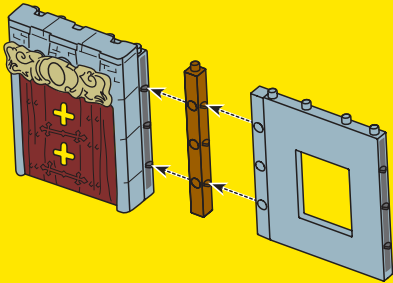


7.

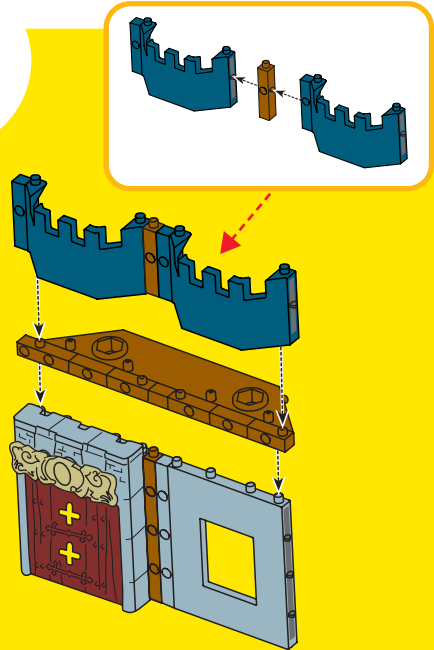


Let's Build It!

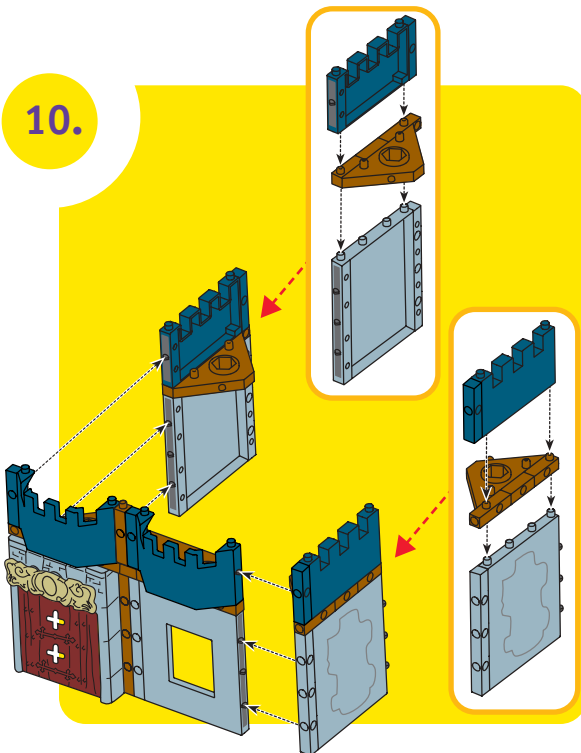
8.



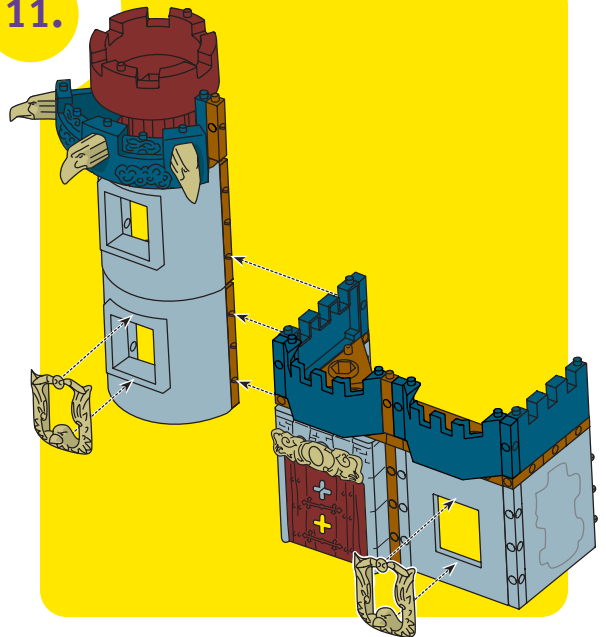
9.



10.

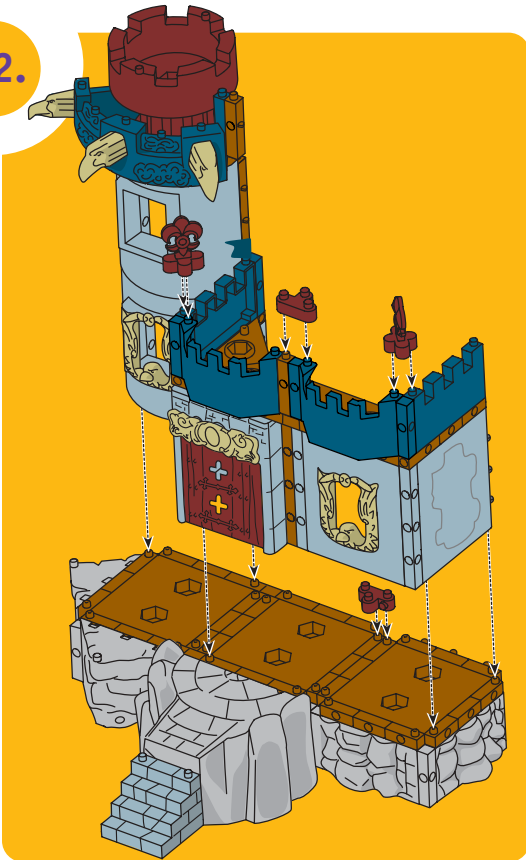


11.

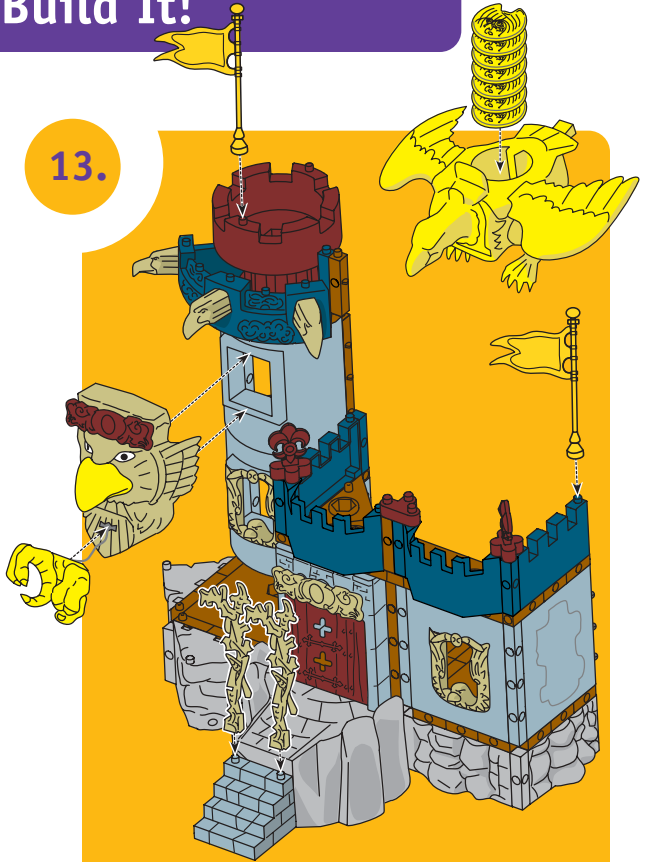


Let's Build It!

12.



13.



IMPORTANT! Only use projectiles supplied with this toy. Do not launch at people or animals or at point blank range.

⚠️ WARNING

Warning – Choking Hazard.
Not recommended for children under
3 years because it contains small
parts that can be swallowed.

Care

Wipe the toy with a clean cloth dampened with a mild
soap and water solution. Do not immerse the toy.

Questions? We'd like to hear from you!

Call Fisher-Price® Consumer Relations, toll-free
at **1-800-432-5437**, 8 AM - 6 PM EST
Monday through Friday. Hearing-impaired
consumers using TTY/TDD equipment,
please call 1-800-382-7470. Or, write to:
Fisher-Price® Consumer Relations, 636 Girard
Avenue, East Aurora, New York 14052, U.S.A.

For other countries outside the United States: **Canada:** call
1-800-567-7724, or write to: Mattel Canada Inc., 6155 Freemont Blvd.,
Mississauga, Ontario L5R 3W2. **Great Britain:** telephone 01628 500302.
Australia: Mattel Australia Pty. Ltd., 658 Church Street, Locked Bag #870,
Richmond, Victoria 3121 Australia. Consumer Advisory Service 1300 135 312.
New Zealand: 16-18 William Pickering Drive, Albany 1331, Auckland.
Asia: Mattel East Asia Ltd, Room 1106, South Tower, World Finance Centre,
Harbour City, Tsimshatsui, HK, China.

Free Manuals Download Website

<http://myh66.com>

<http://usermanuals.us>

<http://www.somanuals.com>

<http://www.4manuals.cc>

<http://www.manual-lib.com>

<http://www.404manual.com>

<http://www.luxmanual.com>

<http://aubethermostatmanual.com>

Golf course search by state

<http://golfingnear.com>

Email search by domain

<http://emailbydomain.com>

Auto manuals search

<http://auto.somanuals.com>

TV manuals search

<http://tv.somanuals.com>