

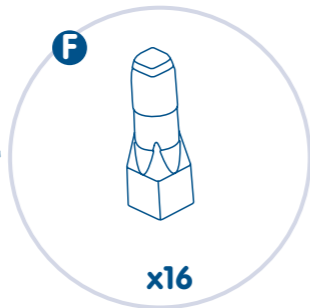
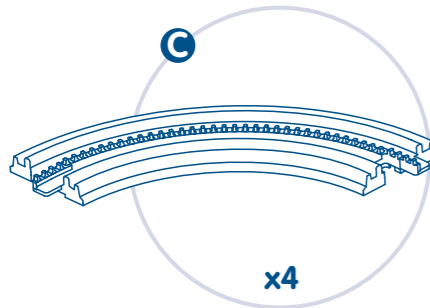
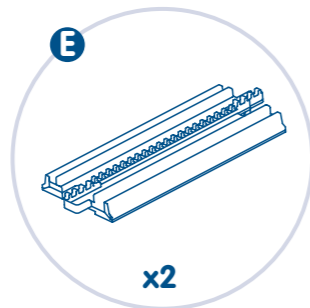
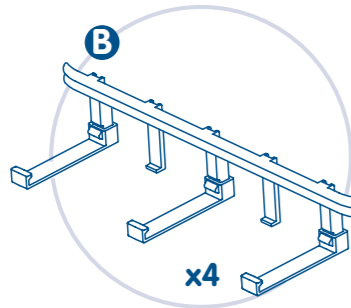
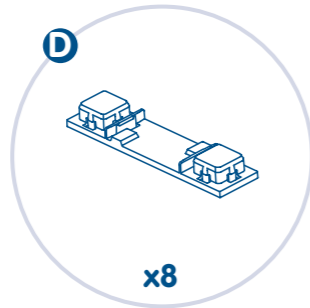
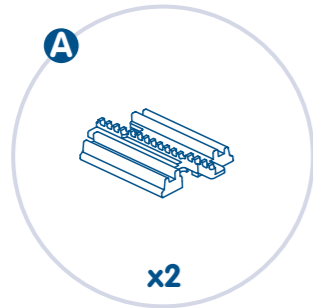
# Parts

- A. 2 Short Tracks
- B. 4 Guardrails
- C. 4 Curved Tracks
- D. 8 Support Tops
- E. 2 Straight Tracks
- F. 16 Support Columns

Please keep this instruction sheet for future reference, as it contains important information.

Adult assembly is required.

No tools required for assembly.



**Fisher-Price®**

**GeoTrax™**  
Rail & Road System

For layout ideas visit the  
**GeoTrax™** section of  
[www.fisher-price.com](http://www.fisher-price.com)

### Questions? We'd like to hear from you!

Call Fisher-Price® Consumer Relations, toll-free at **1-800-432-KIDS**,  
8 AM - 6 PM EST Monday through Friday. Hearing-impaired  
consumers using TTY/TDD equipment, please call 1-800-382-7470.  
Or, write to: Fisher-Price® Consumer Relations, 636 Girard Avenue  
East Aurora, New York 14052, U.S.A.

For other countries outside the United States:

**Canada:** call 1-800-567-7724, or write to: Mattel Canada Inc., 6155 Freemont Blvd., Mississauga, Ontario L5R 3W2.

**Great Britain:** telephone 01628 500302.

**Australia:** Mattel Australia Pty. Ltd., 658 Church Street, Locked Bag #870, Richmond, Victoria 3121 Australia.  
Consumer Advisory Service 1300 135 312.

**New Zealand:** 16-18 William Pickering Drive, Albany 1331, Auckland.

**Asia:** Mattel East Asia Ltd, Room 1106, South Tower, World Finance Centre, Harbour City, Tsingshatsui, HK, China.

**Fisher-Price®**

[www.fisher-price.com](http://www.fisher-price.com)



**GeoTrax™**  
Rail & Road System

**Elevation Track Pack - Flats**

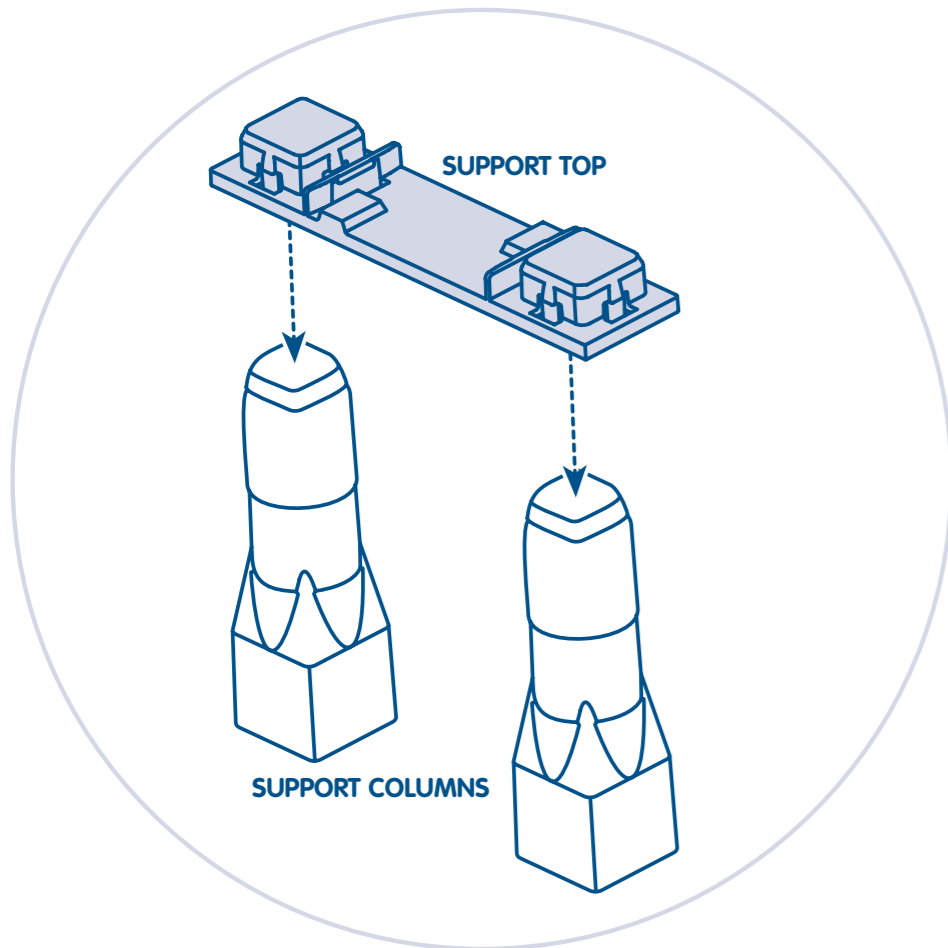
# Assembly

# Elevation Track Tips

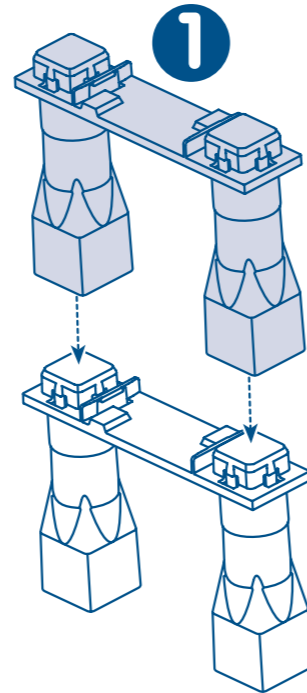
The more you collect, the more fun it gets!



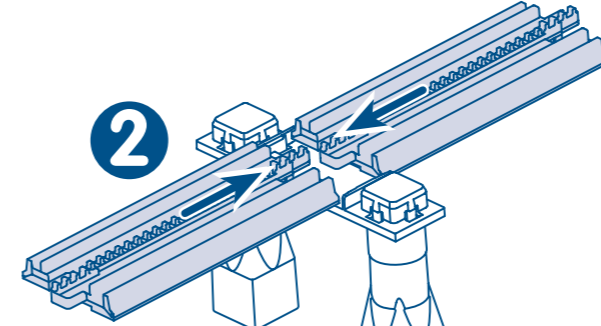
Playsets and accessories sold separately and subject to availability. Two of each Elevation Track Packs used to make this configuration.



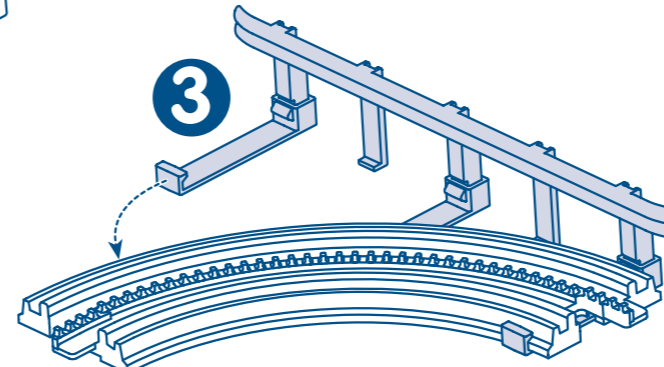
"Snap" a support top onto two support columns.



You can stack up support column assemblies to make a higher track layout.



To properly support elevated tracks, always make sure you have support columns under track connections.



- When you have a curved track at the bottom of a ramp assembly, be sure to use a guardrail on the curve. This keeps the fast moving train on the track!
- To attach the guardrail, fit a tab on one end of the guardrail under the curved track, as shown.
- Bend the guardrail slightly to fit the other two tabs to the curved track.



## Free Manuals Download Website

<http://myh66.com>

<http://usermanuals.us>

<http://www.somanuals.com>

<http://www.4manuals.cc>

<http://www.manual-lib.com>

<http://www.404manual.com>

<http://www.luxmanual.com>

<http://aubethermostatmanual.com>

Golf course search by state

<http://golfingnear.com>

Email search by domain

<http://emailbydomain.com>

Auto manuals search

<http://auto.somanuals.com>

TV manuals search

<http://tv.somanuals.com>