

Fisher-Price®

www.fisher-price.com



GeoTrax™

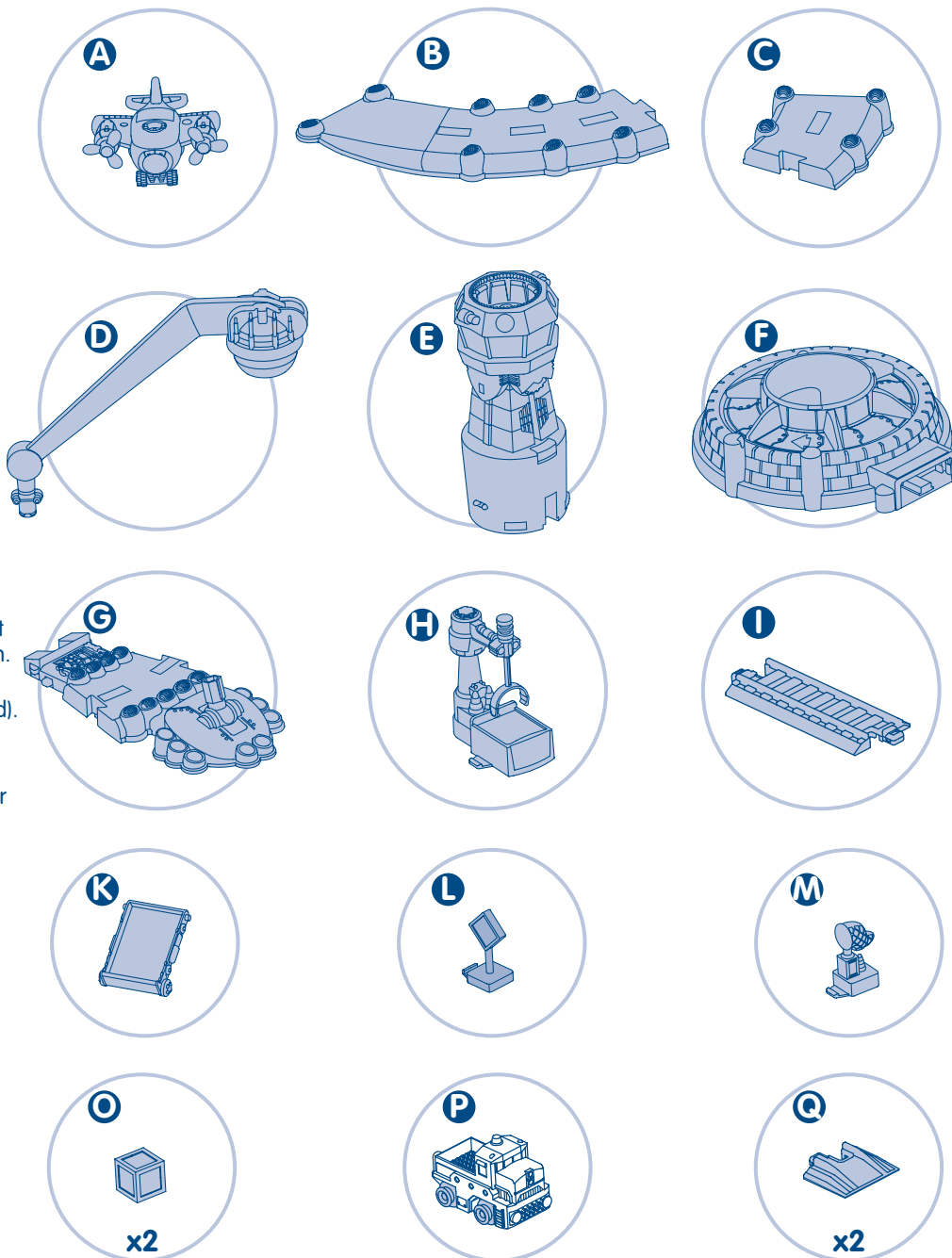
Rail & Road System

Coastal Winds Airport™

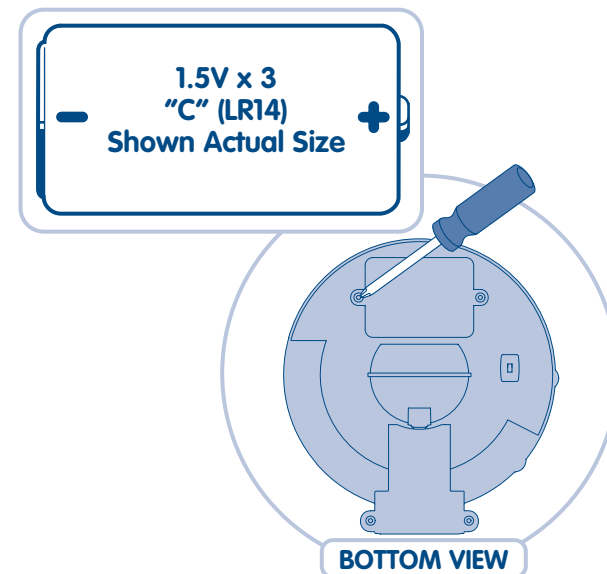
Parts

- A. Airplane
- B. Long Runway
- C. Short Runway
- D. Arm
- E. Control Tower
- F. Tower Base
- G. Controller Base
- H. Crane
- I. Straight Track
- J. 2 Flags
- K. Cargo Tray
- L. Sign
- M. Windssock
- N. Handle
- O. 2 Cargo Crates
- P. Train
- Q. 2 Small Ramps

Please keep this instruction sheet for future reference, as it contains important information. Requires three "C" (LR14) **alkaline** batteries (not included). Adult assembly is required. Tools required for battery installation: Phillips screwdriver (not included).



Battery Installation



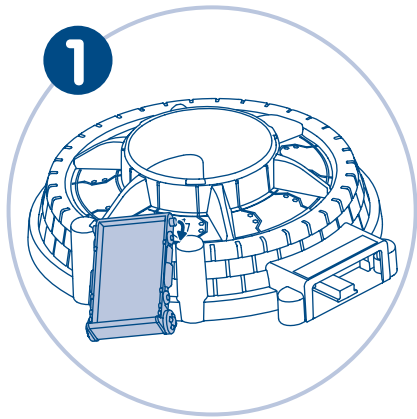
- Locate the battery compartment door on the bottom of the tower base.
- Loosen the screws in the battery compartment door with a Phillips screwdriver. Remove the battery compartment door.
- Insert three "C" (LR14) **alkaline** batteries.
- Replace the battery compartment door and tighten the screws with a Phillips screwdriver. Do not over-tighten.
- When sounds, lights or motions from this toy become faint or stop, it's time for an adult to change the batteries.

Battery Safety Information

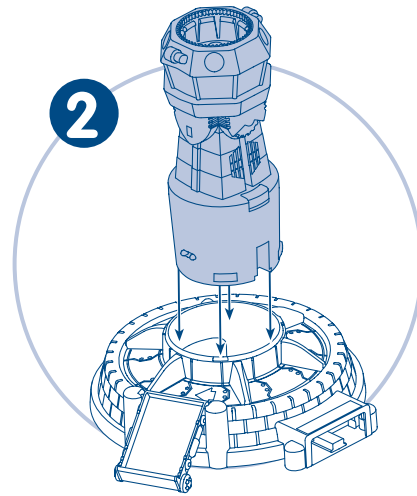
Batteries may leak fluids that can cause a chemical burn injury or ruin your toy. To avoid battery leakage:

- Do not mix old and new batteries or batteries of different types: alkaline, standard (carbon-zinc) or rechargeable (nickel-cadmium).
- Insert batteries as indicated inside the battery compartment.
- Remove batteries during long periods of non-use. Always remove exhausted batteries from the toy. Dispose of batteries safely.
- Never short-circuit the battery terminals.
- Use only batteries of the same or equivalent type, as recommended.
- Do not charge non-rechargeable batteries.
- Remove rechargeable batteries from the toy before charging.
- If removable, rechargeable batteries are used, they are only to be charged under adult supervision.

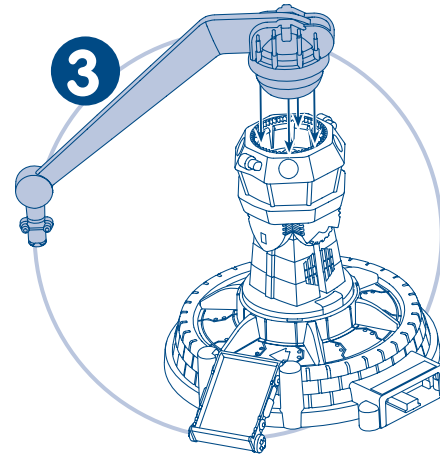
Assembly



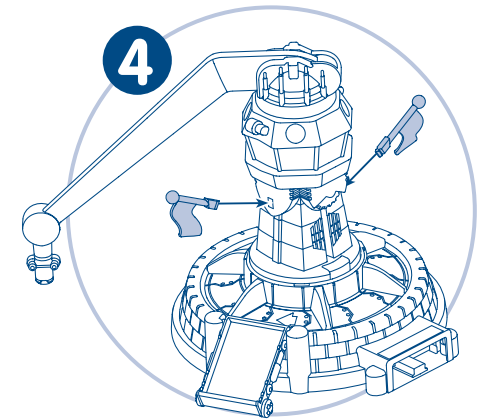
Fit the peg on one side of the cargo tray into the hole in the tower base. Press and **"snap"** the peg on the opposite side of the tray into the other hole in the base.



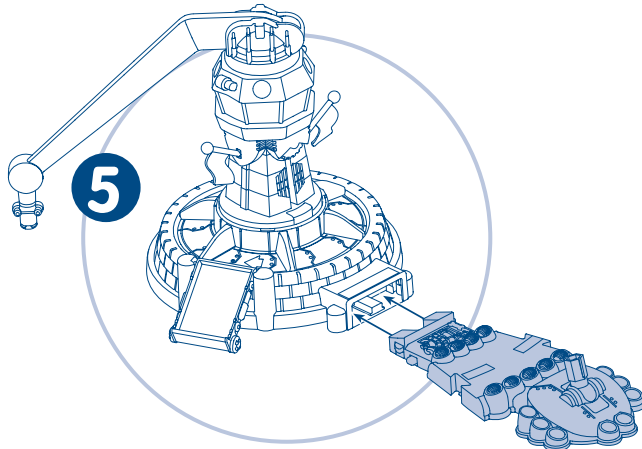
"Snap" the control tower into the tower base.



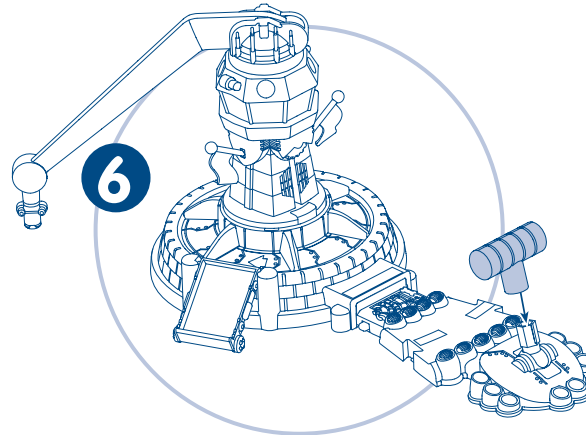
"Snap" the arm into the top of the control tower.



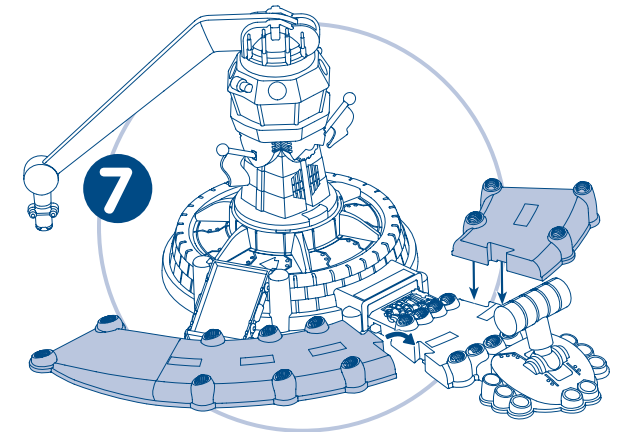
"Snap" the flags into the tower, as shown.



"Snap" the controller base into the tower base, as shown.



"Snap" the handle on to the post on the controller base.



Fit the long and short runways onto the controller base, as shown.
Hint: The two runway pieces can be removed for storage.

Assembly is now complete!

Ready for Takeoff!



Press to **"snap"** the plane to the arm.

Hint: Additional GeoTrax™ planes also work with the airport (sold separately and subject to availability).



Turn the selector dial to choose the sounds of a jet, a propeller plane or a helicopter.



On/Off Switch

- Locate the On/Off switch on the bottom of the tower base.
- Slide the switch to the ● position to turn the toy on and to the ○ position to turn it off.



- Pull back on the controller handle to raise the airplane with realistic sound effects and flashing lights. The more you pull back, the higher the plane flies.
- Push the handle forward to lower and land the plane.



If you haven't used the toy for a few minutes it goes to sleep. To "wake up" the control tower, press the reset button near the bottom of the tower.



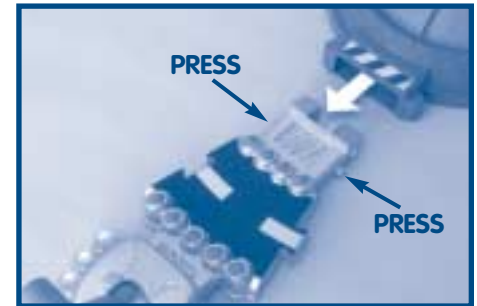
Rotate the luggage carousel to get cargo from the train to the plane.



Use the crane to pick up and load cargo.



The crane, windsock and sign have a small tab that fits into a matching notch in the runway, the tower base or any track piece.



For storage, press the buttons on the sides of the controller base and pull to remove.

Fisher-Price®

GeoTrax™

Rail & Road System

For layout ideas, visit the
GeoTrax™ section of
www.fisher-price.com

Questions? We'd like to hear from you!

Call Fisher-Price® Consumer Relations, toll-free at **1-800-432-KIDS (5437)**,
8 AM - 6 PM EST Monday through Friday. Hearing-impaired consumers using
TTY/TDD equipment, please call 1-800-382-7470. Or, write to: Fisher-Price®
Consumer Relations, 636 Girard Avenue, East Aurora, New York 14052, U.S.A.

For other countries outside the United States:

Canada: call 1-800-567-7724, or write to: Mattel Canada Inc., 6155 Freemont Blvd., Mississauga, Ontario L5R 3W2.

Great Britain: telephone 01628 500302. **Australia:** Mattel Australia Pty. Ltd., 658 Church Street, Locked Bag #870, Richmond, Victoria
3121 Australia. Consumer Advisory Service 1300 135 312. **New Zealand:** 16-18 William Pickering Drive, Albany 1331, Auckland.

Asia: Mattel East Asia Ltd, Room 1106, South Tower, World Finance Centre, Harbour City, Tsimshatsui, HK, China.

**The more you collect,
the more fun it gets!**



Playsets and accessories sold separately and subject to availability.
Multiple track packs used to create this configuration.

Free Manuals Download Website

<http://myh66.com>

<http://usermanuals.us>

<http://www.somanuals.com>

<http://www.4manuals.cc>

<http://www.manual-lib.com>

<http://www.404manual.com>

<http://www.luxmanual.com>

<http://aubethermostatmanual.com>

Golf course search by state

<http://golfingnear.com>

Email search by domain

<http://emailbydomain.com>

Auto manuals search

<http://auto.somanuals.com>

TV manuals search

<http://tv.somanuals.com>