

Fisher-Price®

www.fisher-price.com

**H1581
Instructions**



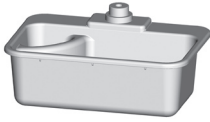
Please keep this instruction sheet for future reference, as it contains important information.
Adult assembly is required. Tool needed for assembly: Phillips Screwdriver (not included).
Requires three "AA" batteries for operation (included).



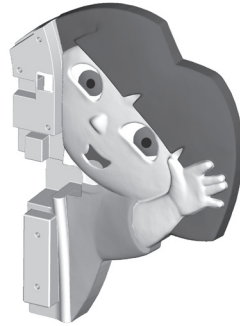
Dora's Talking Kitchen™

Download from Www.Somanuals.com. All Manuals Search And Download.

Parts



Sink



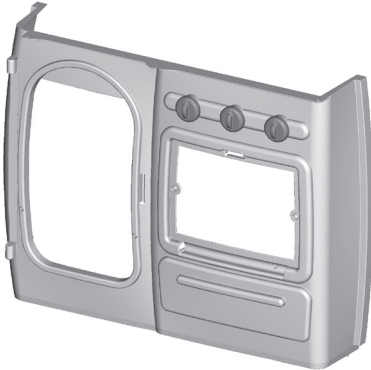
Dora Panel



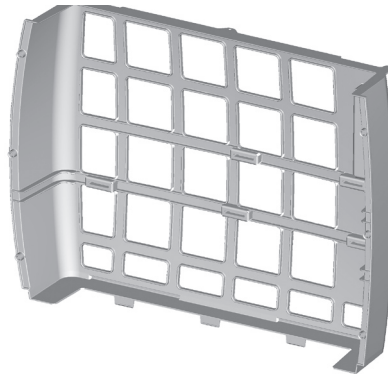
Faucet



Faucet Handle



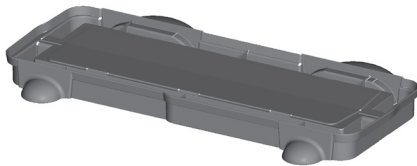
Front Panel



Back Panel



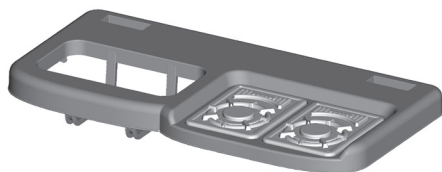
Refrigerator Door



Base



Oven Door



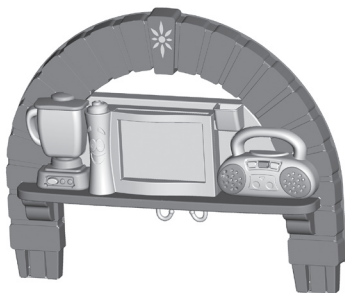
Countertop



Small Shelf



Oven Door Handle



Arch



Large Shelf



Refrigerator Door Handle

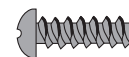
Parts

⚠ CAUTION

This package contains small parts in its unassembled state. Adult assembly is required.



Fastener Shown Actual Size



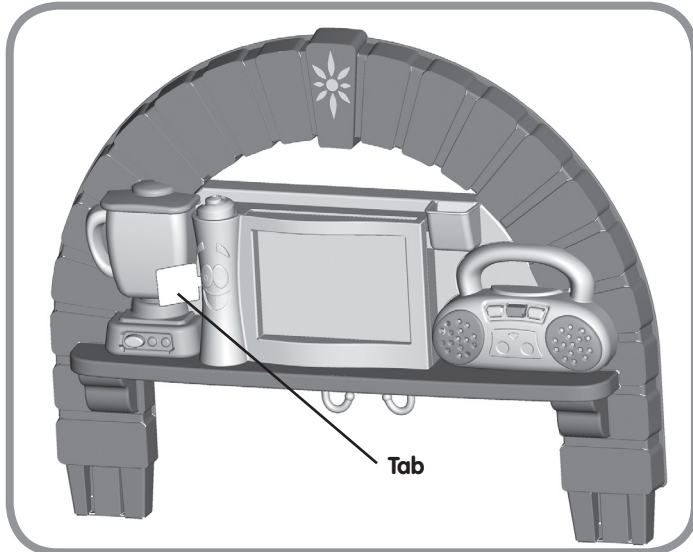
#6 x 1/2" Screw - 32

Note: Tighten or loosen all screws with a Phillips screwdriver. Do not over-tighten the screws.

Before Assembly

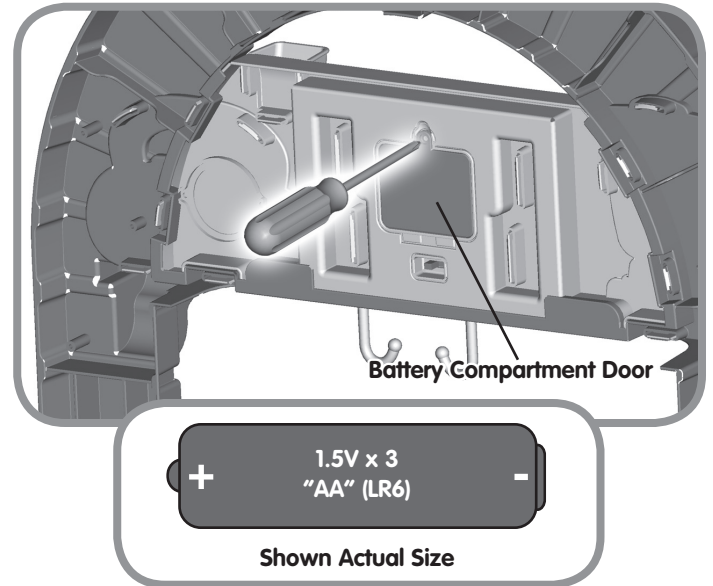
CAUTION

Please keep small parts such as the plastic tab out of children's reach. Throw the plastic tab away.



- A plastic tab was attached to the toy for in-store demonstration purposes. While the tab may have already been removed, check to be sure it is removed. If the plastic tab is still attached, pull and remove the tab from the product. Throw the plastic tab away.

Battery Replacement



For best performance, we recommend replacing the batteries that came with this toy with three, new alkaline "AA" (LR6) batteries.

- Locate the battery compartment on the back of the arch.
- Loosen the screw in the battery compartment door and remove the battery compartment door.
- Insert three "AA" (LR6) **alkaline** batteries into the battery compartment.

*Hint: We recommend using **alkaline** batteries for longer battery life.*

- Replace the battery compartment door and tighten the screw.
- When sounds became faint or stop, it's time for an adult to replace batteries!

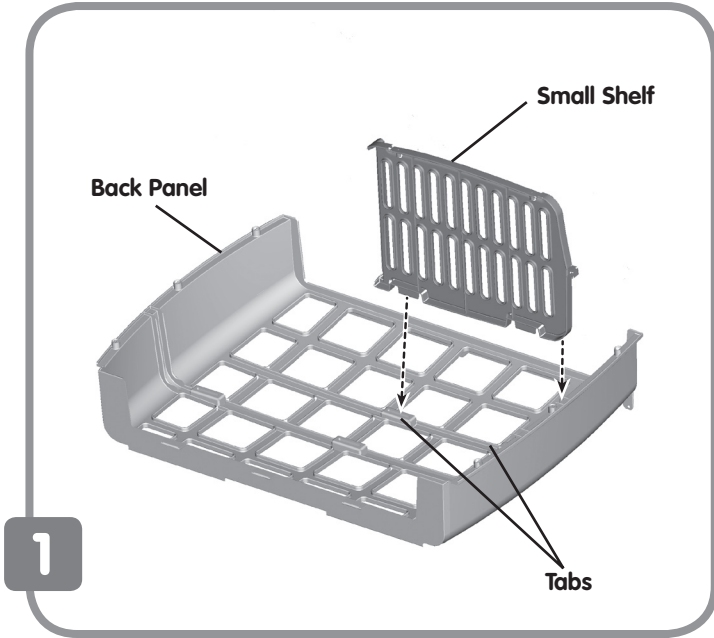
Battery Safety Information

In exceptional circumstances, batteries may leak fluids that can cause a chemical burn injury or ruin your product.

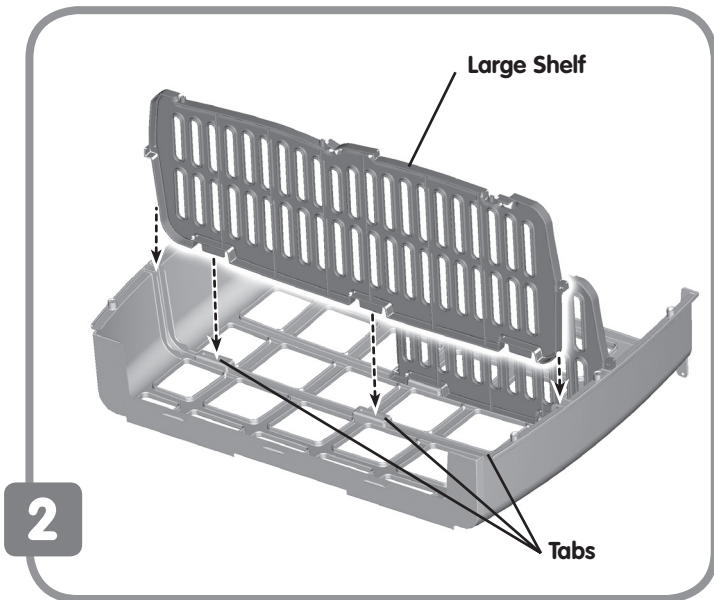
To avoid battery leakage:

- Do not mix old and new batteries or batteries of different types: alkaline, standard (carbon-zinc) or rechargeable (nickel-cadmium).
- Insert batteries as indicated inside the battery compartment.
- Remove batteries during long periods of non-use. Always remove exhausted batteries from the product. Dispose of batteries safely. Do not dispose of batteries in a fire. The batteries may explode or leak.
- Never short-circuit the battery terminals.
- Use only batteries of the same or equivalent type, as recommended.
- Do not charge non-rechargeable batteries.
- Remove rechargeable batteries from the product before charging.
- If removable, rechargeable batteries are used, they are only to be charged under adult supervision.

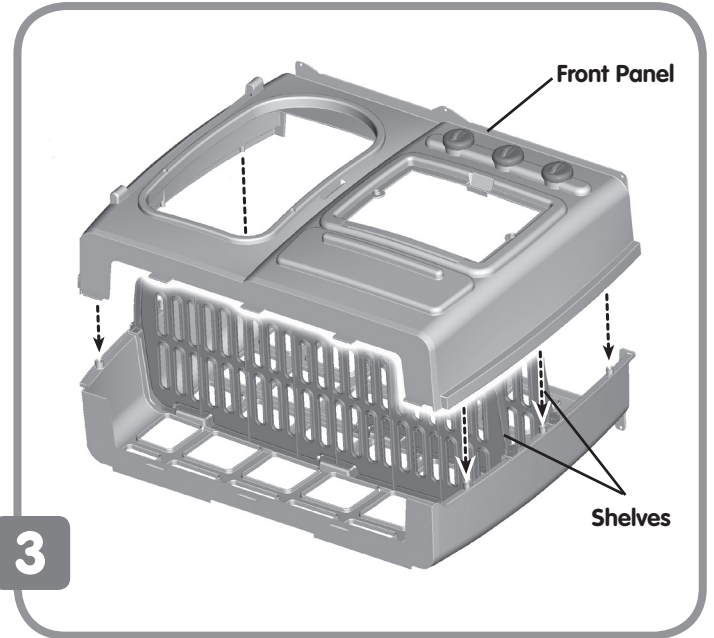
Assembly



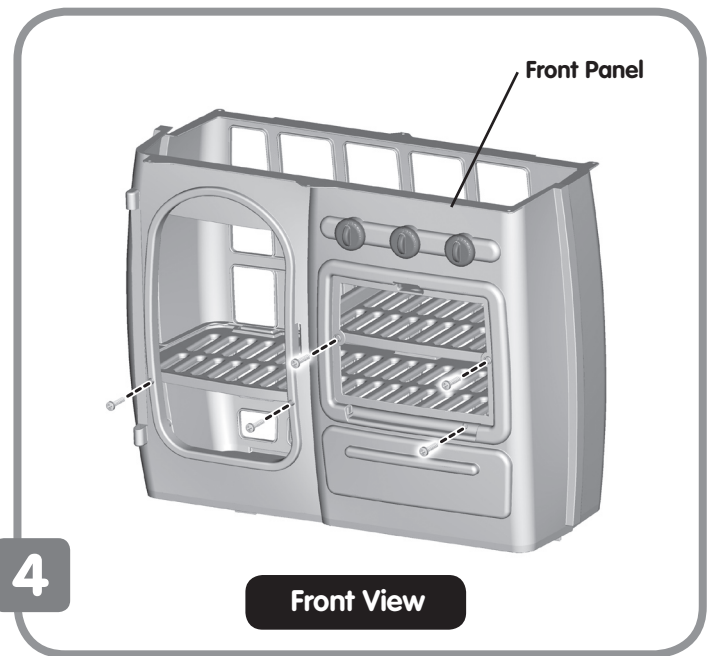
- Place the back panel face down on a flat surface.
- Fit the small shelf to the groove in the back panel with two tabs.



- Now, fit the large shelf to the groove in the back panel with three tabs.

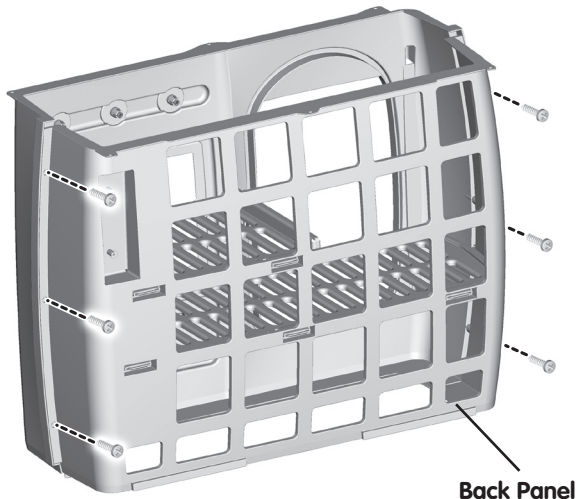


- Fit the front panel to the shelves, as shown.



- Stand the assembly upright.
- Insert five screws into the front panel and tighten.

Assembly



5

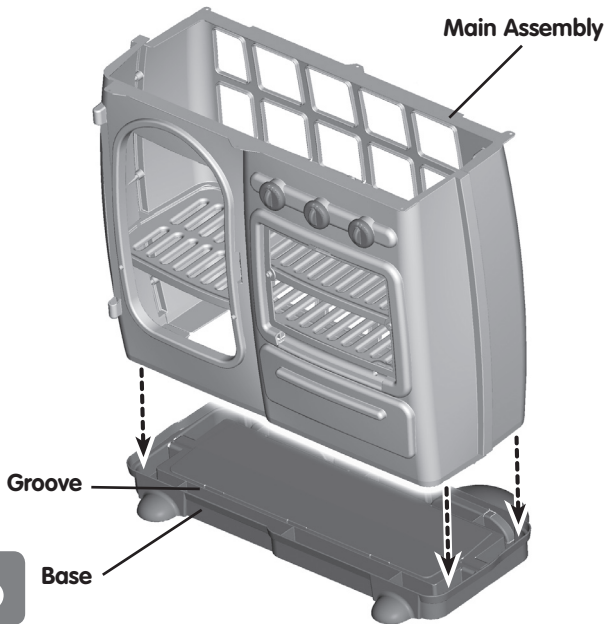
Back View

- Now, insert six screws into the back panel and tighten.



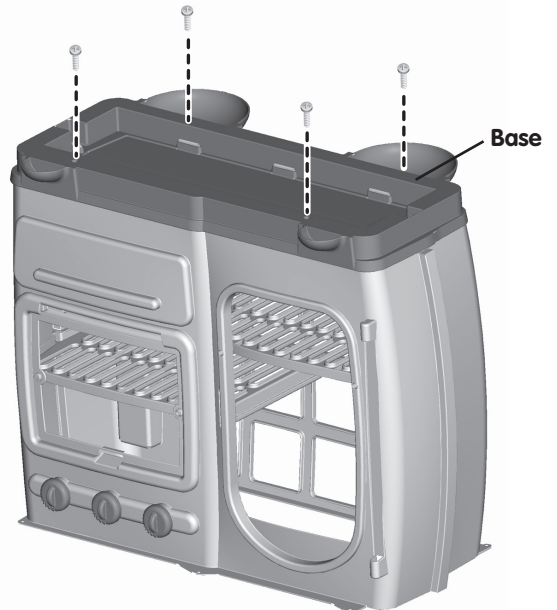
7

- Reach through the back panel and push down on each corner of the main assembly to **"snap"** it to the base.



6

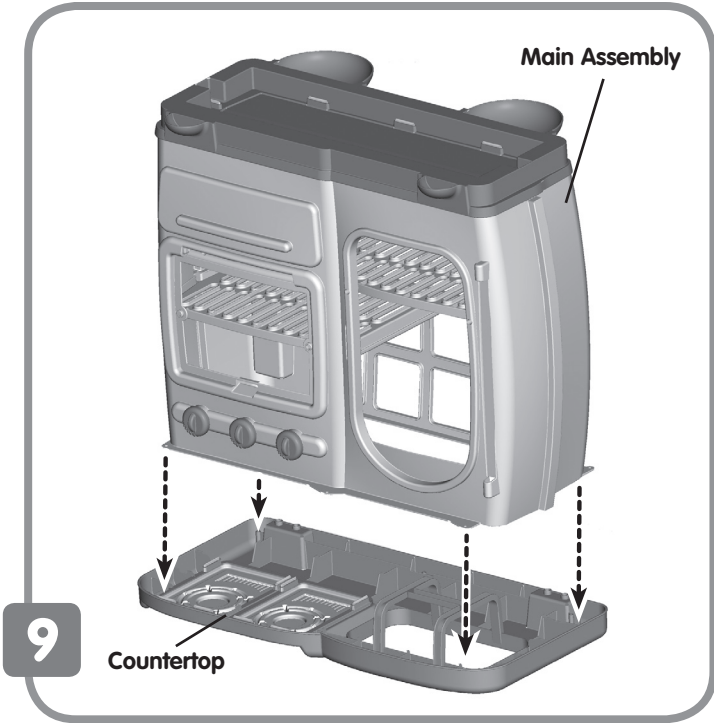
- Fit the main assembly into the groove around the base.
- Push down on the main assembly until it **"snaps"** into place.



8

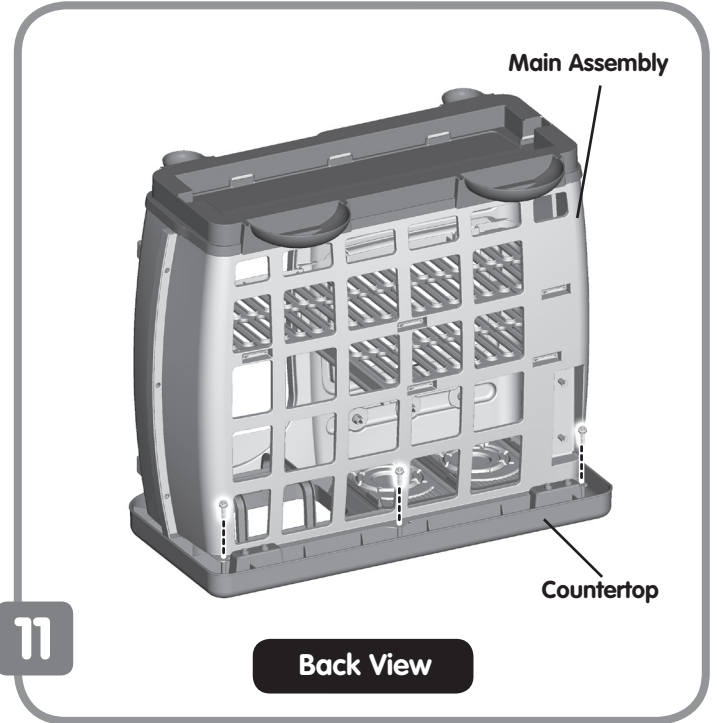
- Turn the main assembly over so that the base is upright.
- Insert four screws into the base and tighten.

Assembly



9

- Place the countertop face down on a flat surface.
- Fit the main assembly to the countertop.



11

Back View

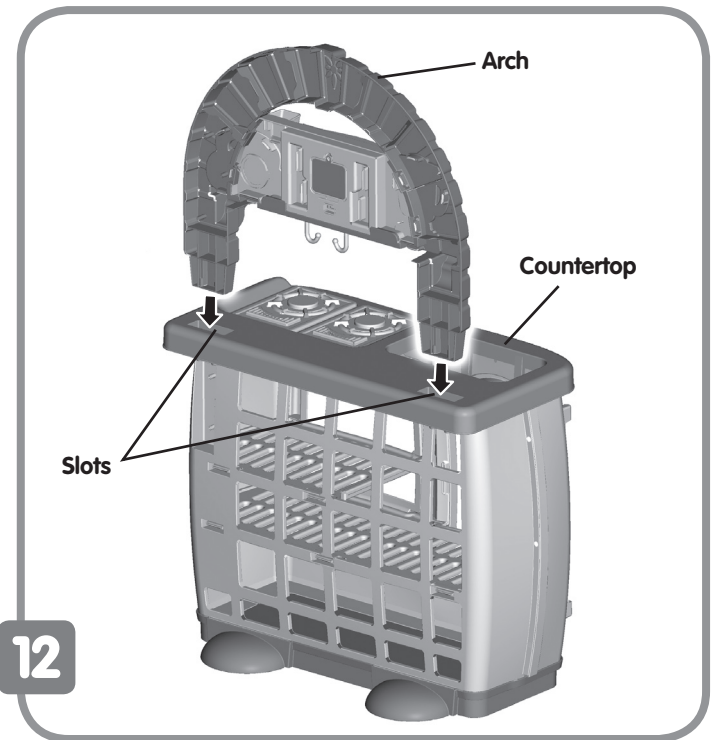
- Turn the assembly around so that the back faces you.
- Insert three screws through the pegs in the back of the main assembly and into the countertop. Tighten the screws.



10

Front View

- Insert three screws through the pegs in the front of the main assembly and into the countertop. Tighten the screws.

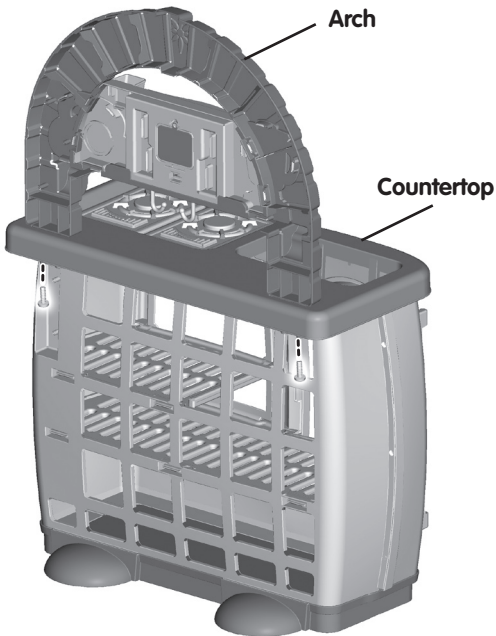


12

- Turn the assembly upright.
- Fit the arch into the slots in the countertop.

Assembly

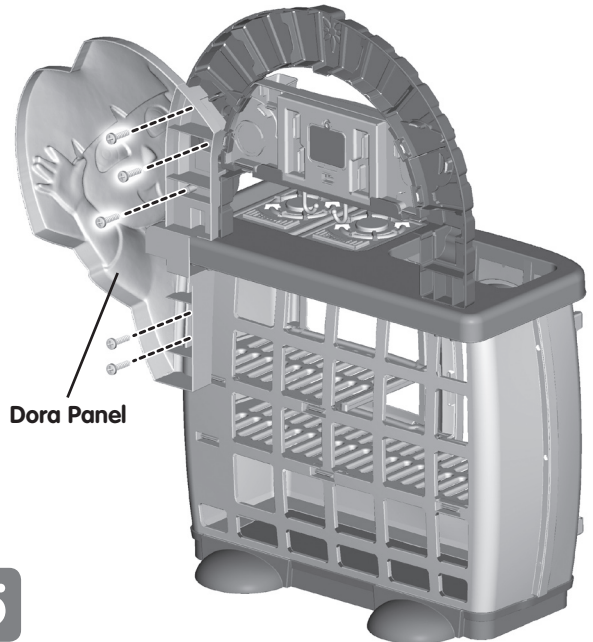
13



- Insert two screws up through the countertop and into the ends of the arch. Tighten the screws.

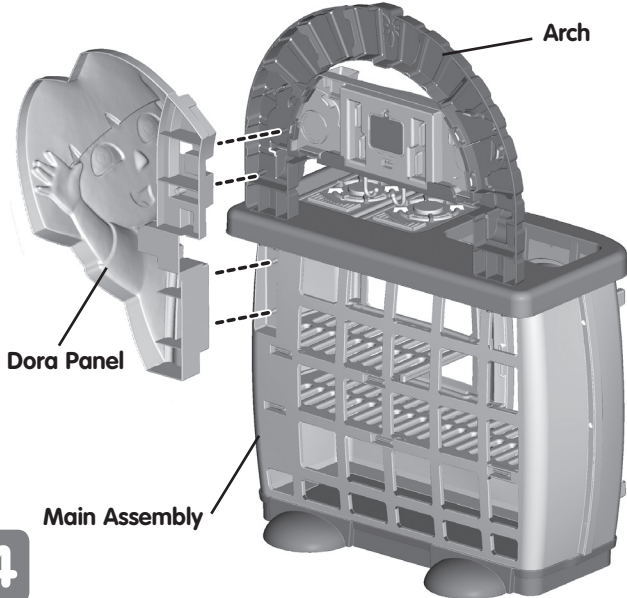
Hint: You may want to tip the assembly forward and lean it against a surface to complete this assembly step.

15



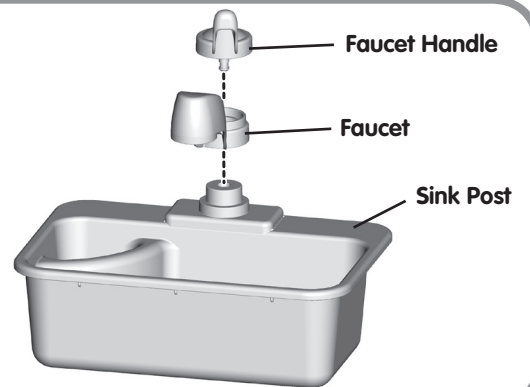
- Insert five screws into the back of the Dora panel and tighten.

14



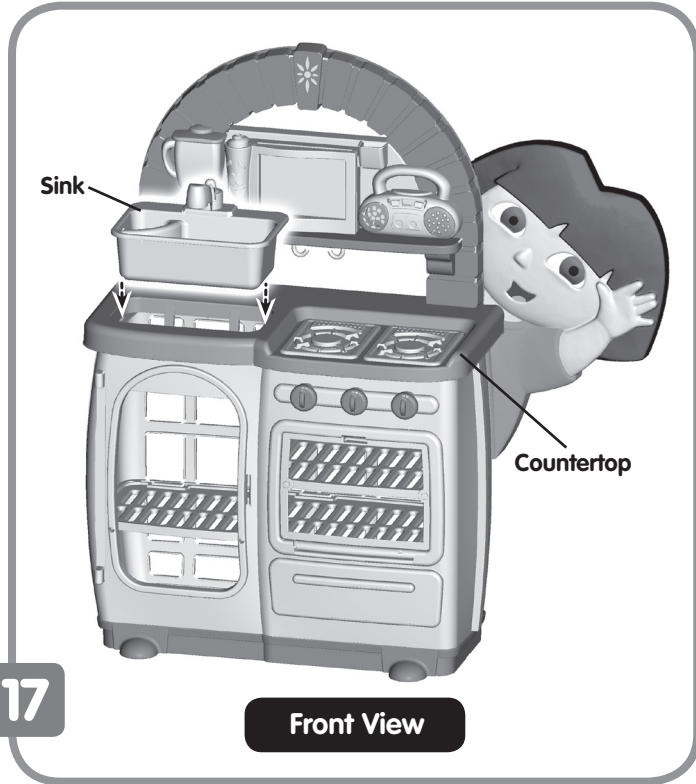
- Fit the Dora panel to the groove in the arch and main assembly, as shown.

16

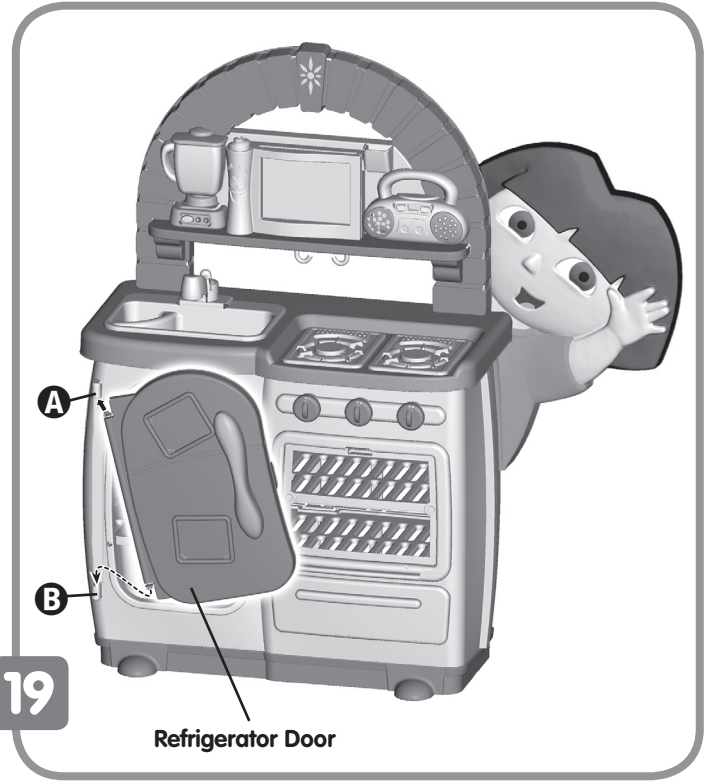


- Fit the faucet onto the post on the sink.
- Fit the faucet handle into the faucet. Push down on faucet handle until it **"snaps"** into place.

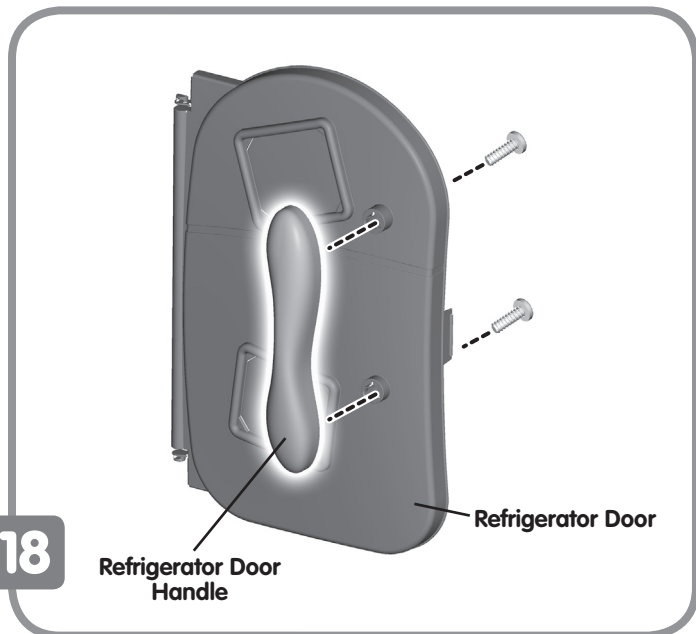
Assembly



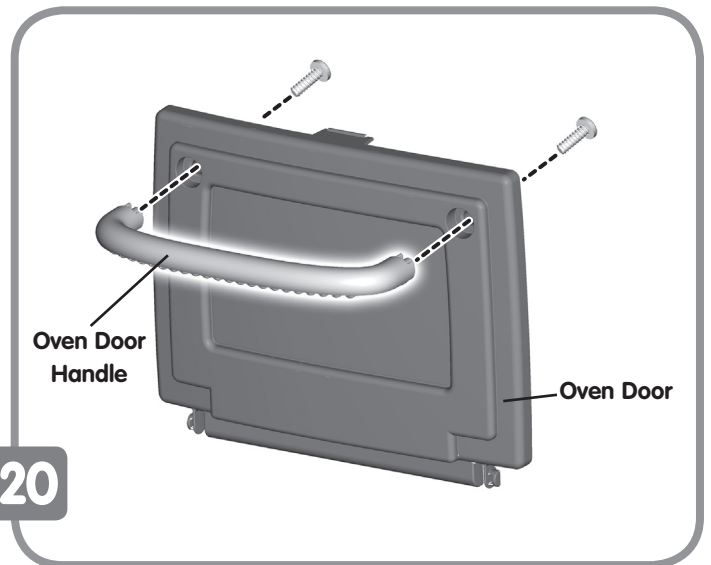
- Fit the sink into the large opening in the countertop, as shown.



- At an angle, fit the upper peg on the refrigerator door into the hole in the upper hinge **A**.
- Now, push to “snap” the lower peg on the refrigerator door into the hole in the lower hinge **B**.

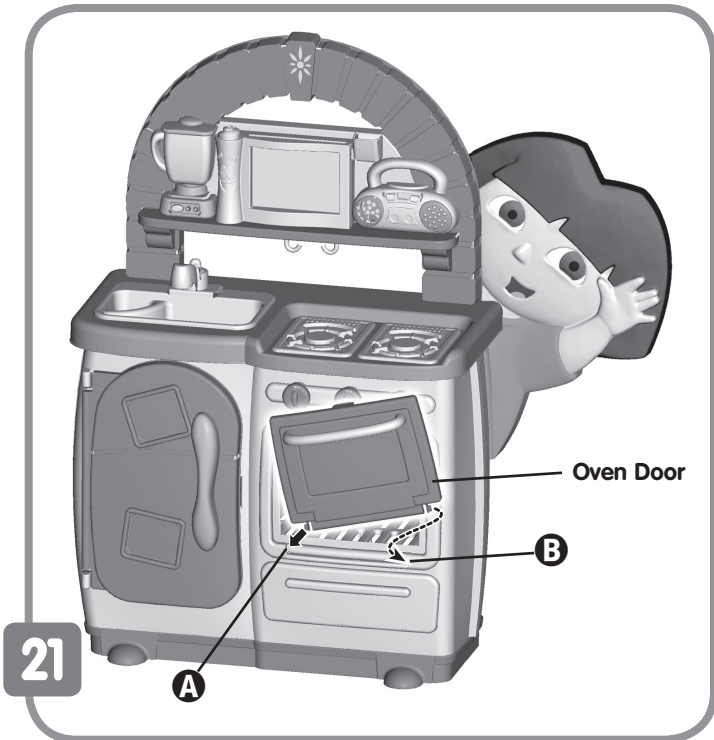


- Fit the handle to the holes in the refrigerator door.
- Insert two screws through the refrigerator door and into the handle. Tighten the screws.

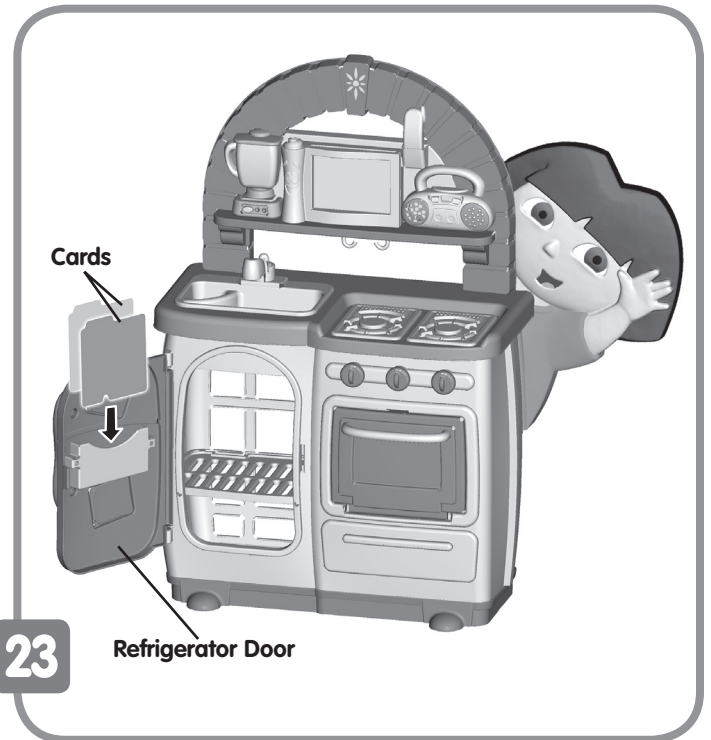


- Fit the handle to the holes in the oven door.
- Insert two screws through the oven door and into the handle. Tighten the screws.

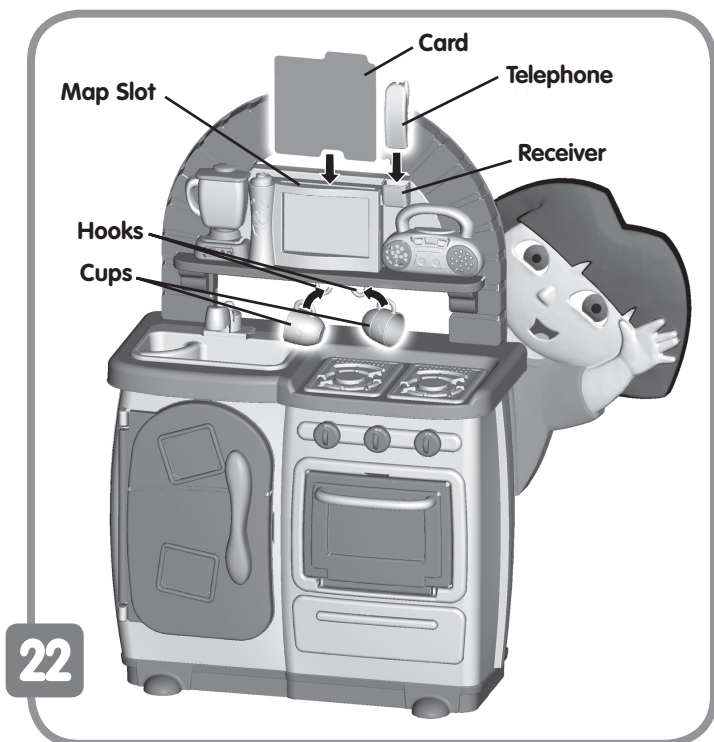
Assembly



- At an angle, fit one of the pegs on the oven door into a hole in the hinge **A**.
- Now, push to fit the other peg on the oven door into the other hole in the hinge **B**.



Hint: You can store the recipe cards inside the refrigerator door.



- Hang the cups on the hooks.
- Fit the telephone into the receiver.
- Fit a card into the Map slot.

Let's Go on a Cooking Adventure



- Place your own photos or artwork in the frames on the refrigerator.
- Slide the power switch on the back of the kitchen ON.
- Press the button on the radio to hear fun songs.
- Press the button on the blender for realistic sound effects.
- Lift the telephone from the receiver to "talk" with Boots, Diego or Abuela.



- With a recipe card inserted, touch Map for a recipe adventure.

Consumer Information

Visit us on-line at www.service.fisher-price.com

Call Fisher-Price® Consumer Relations, toll free at **1-800-432-5437**, 8 AM – 6 PM EST Monday through Friday. Hearing-impaired consumers using TTY/TDD equipment, please call 1-800-382-7470.

Or, write to: Fisher-Price, Inc., Consumer Relations, 636 Girard Avenue, East Aurora, New York 4052.

Care

- Before using food, cooking and eating utensils, hand wash them in hot, soapy water.
- Check plastic parts regularly and if broken or cracked, dispose of them properly.
- Wipe this toy with a clean cloth dampened with a mild soap and water solution. Do not immerse this toy.
- This toy has no consumer serviceable parts. Do not take this toy apart.

FCC Statement (United States Only)

Note: This equipment has been tested and found to comply with the limits for a Class B digital device, pursuant to part 15 of the FCC rules. These limits are designed to provide reasonable protection against harmful interference in a residential installation. This equipment generates, uses and can radiate radio frequency energy and, if not installed and used in accordance with the instructions, may cause harmful interference to radio communications. However, there is no guarantee that interference will not occur in a particular installation. If this equipment does cause harmful interference to radio or television reception, which can be determined by turning the equipment off and on, the user is encouraged to try to correct the interference by one or more of the following measures:

- Reorient or relocate the receiving antenna.
- Increase the separation between the equipment and receiver.
- Consult the dealer or an experienced radio/TV technician for help.

Note: Changes or modifications not expressly approved by the manufacturer responsible for compliance could void the user's authority to operate the equipment.

Free Manuals Download Website

<http://myh66.com>

<http://usermanuals.us>

<http://www.somanuals.com>

<http://www.4manuals.cc>

<http://www.manual-lib.com>

<http://www.404manual.com>

<http://www.luxmanual.com>

<http://aubethermostatmanual.com>

Golf course search by state

<http://golfingnear.com>

Email search by domain

<http://emailbydomain.com>

Auto manuals search

<http://auto.somanuals.com>

TV manuals search

<http://tv.somanuals.com>