



Please keep this instruction sheet for future reference, as it contains important information.

Requires six "AA" (LR6) **alkaline** batteries (not included).

Adult assembly is required. Tool required: Phillips screwdriver (not included).

Before use, thoroughly wash all parts that may contact food.

fisher-price.com

Consumer Information



CONSUMER ASSISTANCE

1-800-432-5437 (US & Canada)
1300 135 312 (Australia)

service.fisher-price.com

Fisher-Price, Inc., 636 Girard Avenue, East Aurora, NY 14052.
Hearing-impaired consumers: 1-800-382-7470.

Outside the United States:

Canada: Mattel Canada Inc., 6155 Freemont Blvd.,
Mississauga, Ontario L5R 3W2; www.service.mattel.com.

Great Britain: Mattel UK Ltd, Vanwall Business Park,
Maidenhead SL6 4UB. Helpline: 01628 500303.
www.service.mattel.com/uk

Mattel Europa B.V., Gondel 1, 1186MJ Amstelveen, Nederland.

Australia: Mattel Australia Pty. Ltd., 658 Church Street,
Locked Bag #870, Richmond, Victoria 3121 Australia.

New Zealand: 16-18 William Pickering Drive,
Albany 1331, Auckland.

Battery Safety Information

In exceptional circumstances, batteries may leak fluids that can cause a chemical burn injury or ruin your product. To avoid battery leakage:

- Do not mix old and new batteries or batteries of different types: alkaline, standard (carbon-zinc) or rechargeable (nickel-cadmium).
- Insert batteries as indicated inside the battery compartment.
- Remove batteries during long periods of non-use. Always remove exhausted batteries from the product. Dispose of batteries safely. Do not dispose of this product in a fire. The batteries inside may explode or leak.
- Never short-circuit the battery terminals.
- Use only batteries of the same or equivalent type, as recommended.
- Do not charge non-rechargeable batteries.
- Remove rechargeable batteries from the product before charging.
- If removable, rechargeable batteries are used, they are only to be charged under adult supervision.

FCC Statement (United States Only)

This equipment has been tested and found to comply with the limits for a Class B digital device, pursuant to Part 15 of the FCC Rules. These limits are designed to provide reasonable protection against harmful interference in a residential installation. This equipment generates, uses and can radiate radio frequency energy and, if not installed and used in accordance with the instructions, may cause harmful interference to radio communications. However, there is no guarantee that interference will not occur in a particular installation. If this equipment does cause harmful interference to radio or television reception, which can be determined by turning the equipment off and on, the user is encouraged to try to correct the interference by one or more of the following measures:

- Reorient or relocate the receiving antenna.
- Increase the separation between the equipment and receiver.
- Consult the dealer or an experienced radio/TV technician for help.

Note: Changes or modifications not expressly approved by the manufacturer responsible for compliance could void the user's authority to operate the equipment. This device complies with Part 15 of the FCC Rules. Operation is subject to the following two conditions: (1) This device may not cause harmful interference and (2) this device must accept any interference received, including interference that may cause undesired operation.

ICES-003

This Class B digital apparatus complies with Canadian ICES-003. Operation is subject to the following two conditions: (1) this device may not cause harmful interference and (2) this device must accept any interference received, including interference that may cause undesired operation.

NMB-003

Cet appareil numérique de la classe B est conforme à la norme NMB-003 du Canada. L'utilisation de ce dispositif est autorisée seulement aux conditions suivantes : (1) il ne doit pas produire de brouillage et (2) l'utilisateur du dispositif doit être prêt à accepter tout brouillage radioélectrique reçu, même si ce brouillage est susceptible de compromettre le fonctionnement du dispositif.

Storage and Care

- Store all your kitchen supplies inside the table.
- Wipe this toy with a clean cloth dampened with a mild soap and water solution. Do not immerse.
- This toy has no consumer serviceable parts. Do not take apart.



- Protect the environment by not disposing of this product with household waste (2002/96/EC). Check your local authority for recycling advice and facilities.

Assembled Parts

⚠ CAUTION

This package contains small parts.
For adult assembly only.



Oven Front



Oven Back



Oven Door



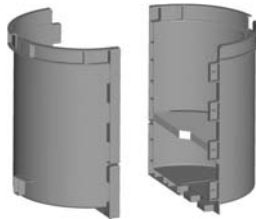
4 Feet



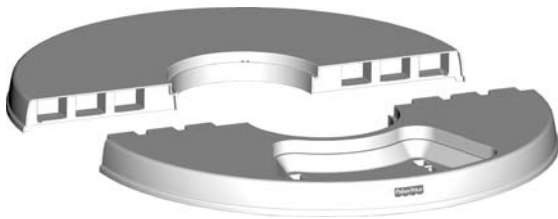
Cover



Outer Column - 2 Pieces



Inner Column - 2 Pieces



Tabletop - 2 Pieces

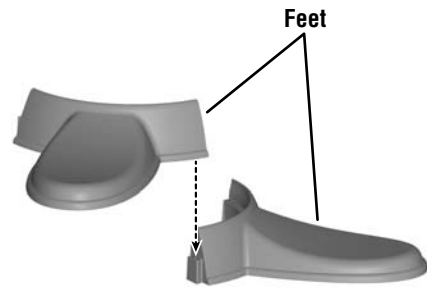


#6 x 3/4" (1,9 cm) Screw – 24

Shown Actual Size

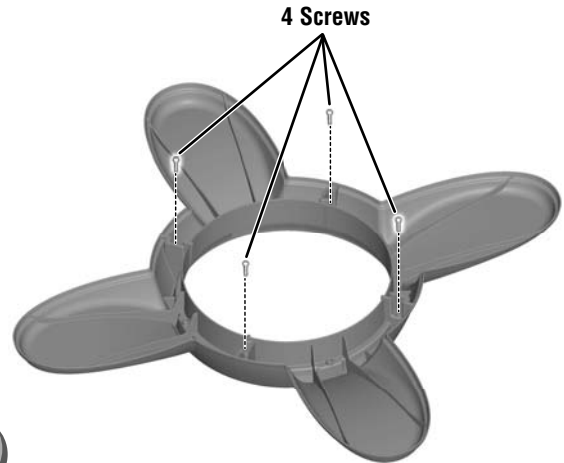
Tighten and loosen all screws with a Phillips screwdriver.
Do not over-tighten.

Assembly



1

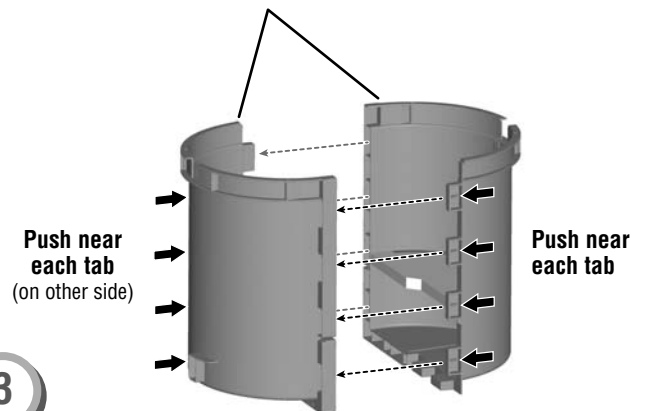
- Fit the slot on a foot onto the tab on another foot. Repeat to connect the other two feet to form a base.



2

- Carefully turn the base assembly over. Insert four screws into the base and tighten.
- Set the base assembly aside for assembly step 5.

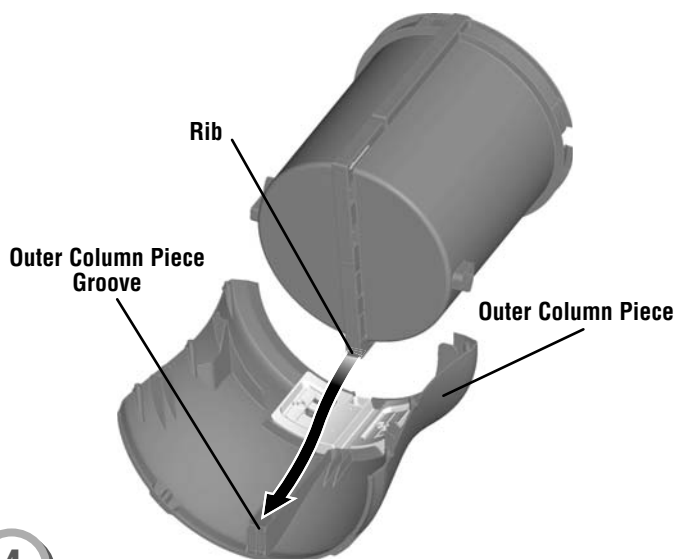
Inner Column Pieces



3

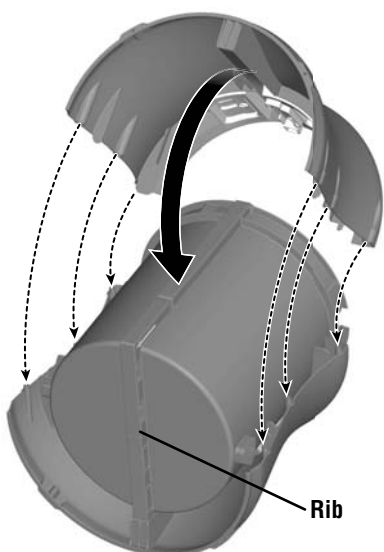
- Fit the inner columns together, by inserting the tabs into the slots on each piece.
- Push to “snap” each tab in place.

Assembly



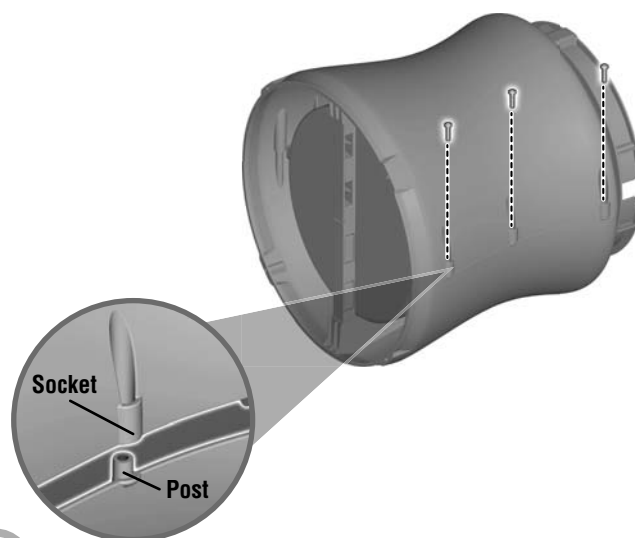
4

- Place one of the outer column pieces on a flat surface, as shown.
- Fit the rib on one side of the inner column into the groove near the locking mechanism in the outer column piece.
- Slide the inner column towards the bottom of the outer column.



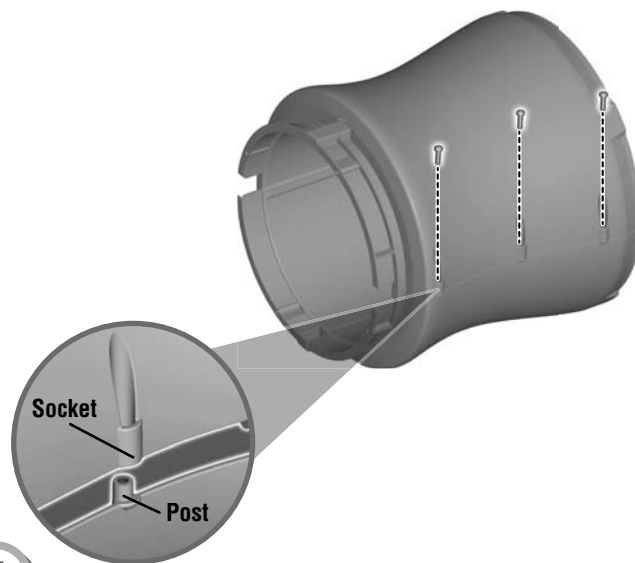
5

- Fit the remaining outer column piece onto the inner column.
- Hint:** Line up the groove in the outer column piece with the rib on the inner column.



6

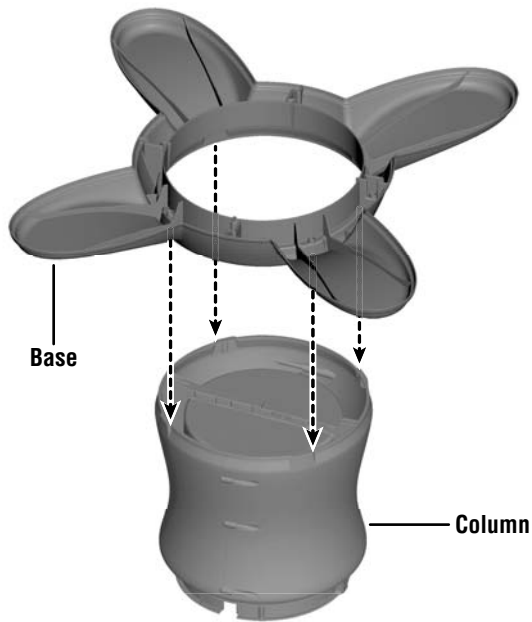
- Fit the posts on one side of the outer column into the sockets in the opposite side.
- Insert three screws into the holes in the outer column assembly and tighten.



7

- Carefully turn the column assembly over and fit the posts in one side of the outer column into the sockets in the other side of the outer column.
- Insert three screws into the holes in the outer column assembly and tighten.

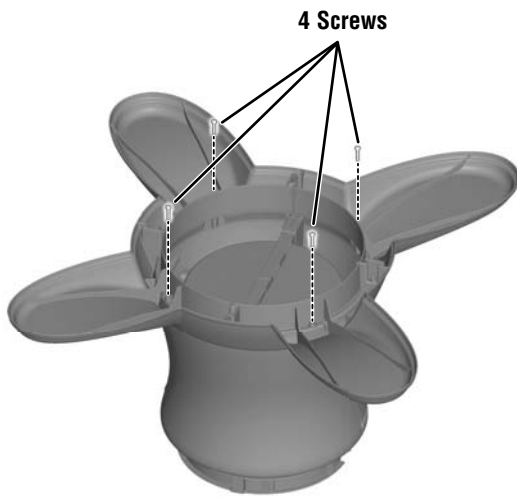
Assembly



8

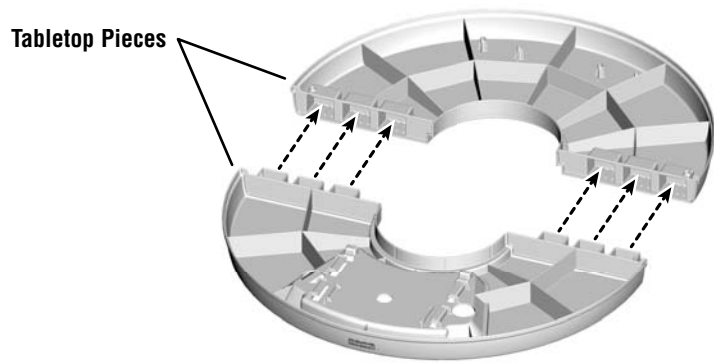
- Turn the column and base over.
- Fit the base onto the column.

Hint: Align the seams on each side of the column with the seams in the base.



9

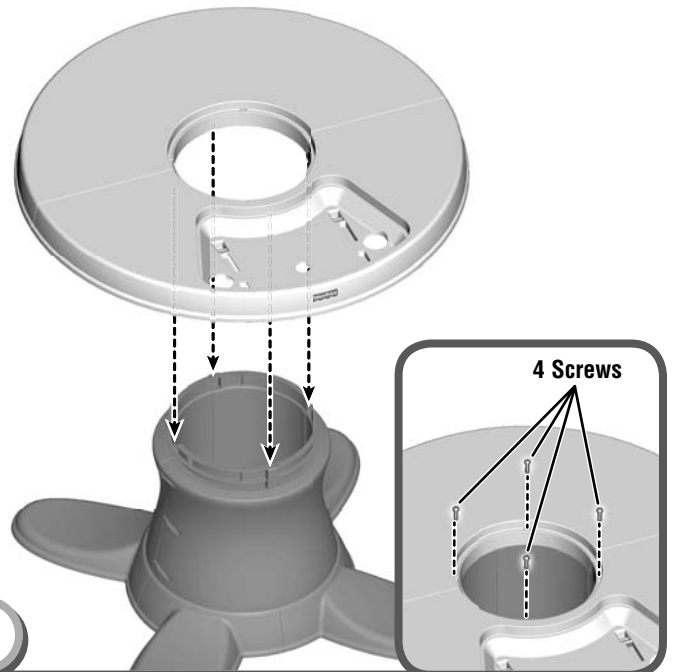
- Insert four screws into the base and tighten.



10

2 Screws

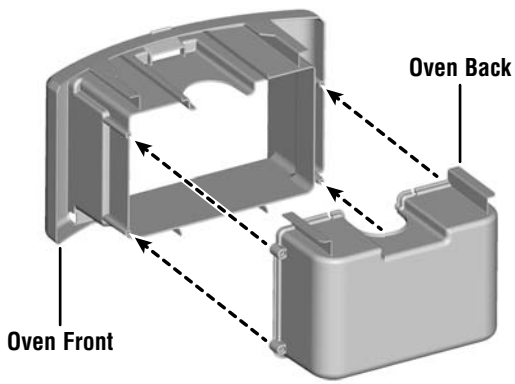
- Turn the tabletop pieces over.
- Fit the tabletop pieces together, by inserting the tabs into the slots on each piece.
- Insert two screws into the tabletop and tighten.



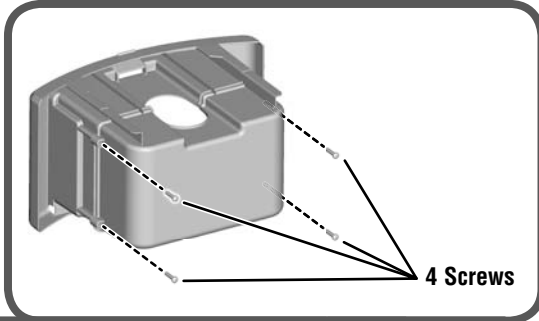
11

- Turn the tabletop over.
 - Fit the tabletop onto the base assembly.
- Hint:** You may need to turn the tabletop to assemble it to the base assembly.
- Insert four screws into the tabletop and tighten.

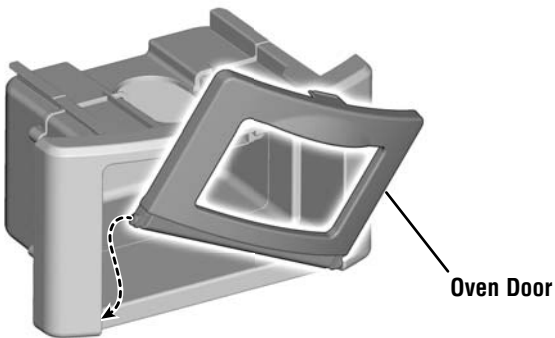
Assembly



12

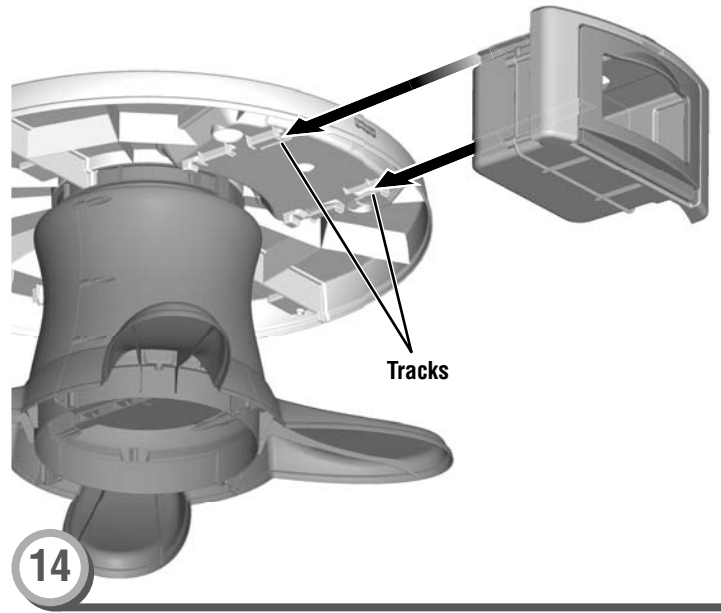


- Fit the oven front and back pieces together.
- Insert four screws into the back of the oven and tighten.



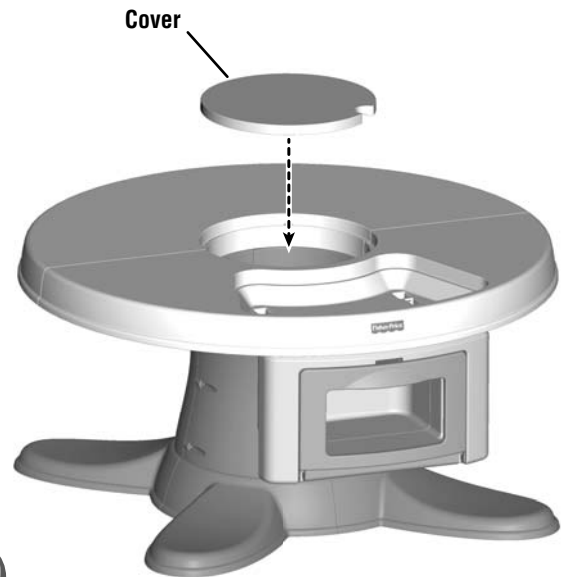
13

- At an angle, fit a side tab on the oven door into the opening in the front of the oven.
- Push to **snap** the other tab on the oven door in place.



14

- Slide the tabs on the top of the oven into the track under the tabletop.



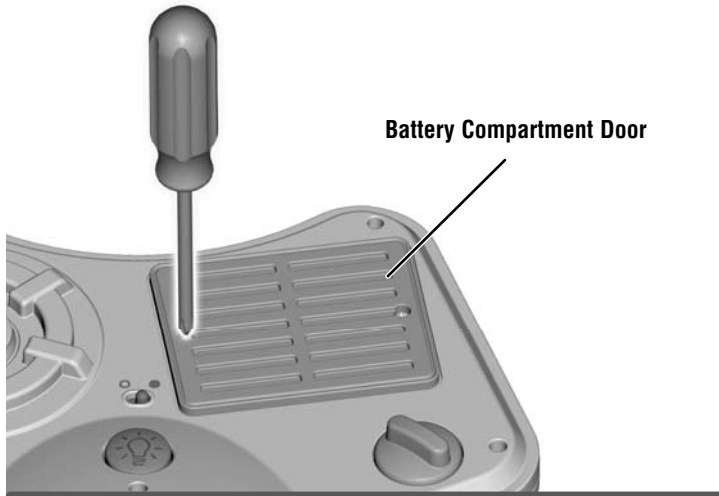
15

- Place the cover in the center of the table.

Battery Installation

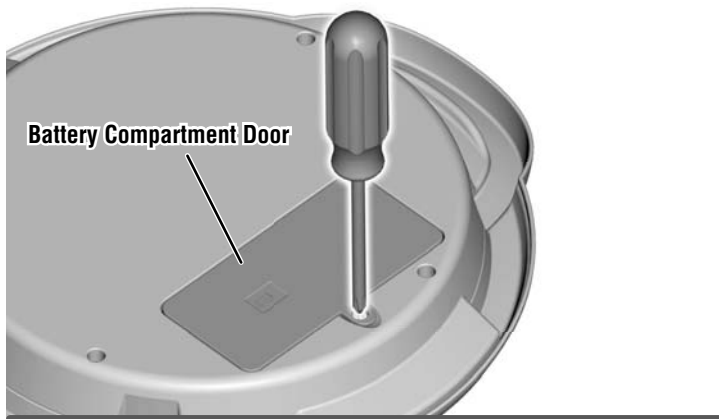


We recommend using **alkaline** batteries for longer battery life. When sounds or light become faint or stop, it's time for an adult to change the batteries.



Stove Top

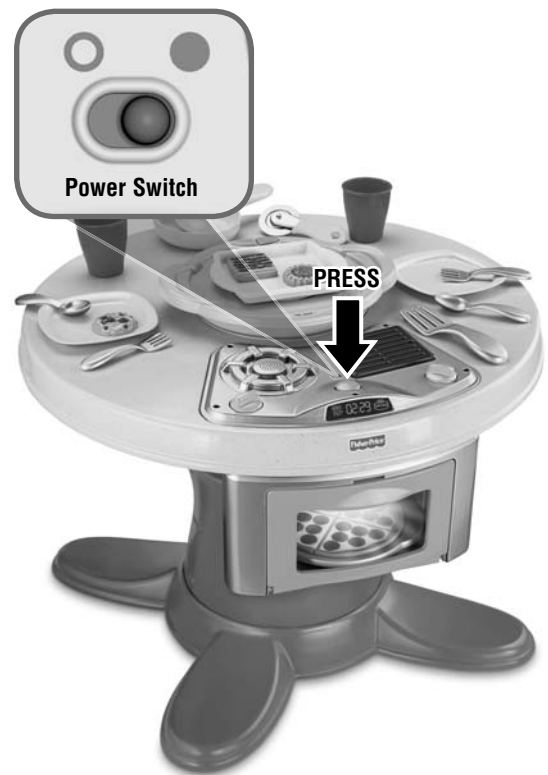
- Loosen the screws in the battery compartment door and remove the door.
- Insert three "AA" (LR6) **alkaline** batteries.
- Replace the battery compartment door and tighten the screws.
- If the stove top begins to operate erratically, you may need to reset the electronics. Slide the power switch off and back on.



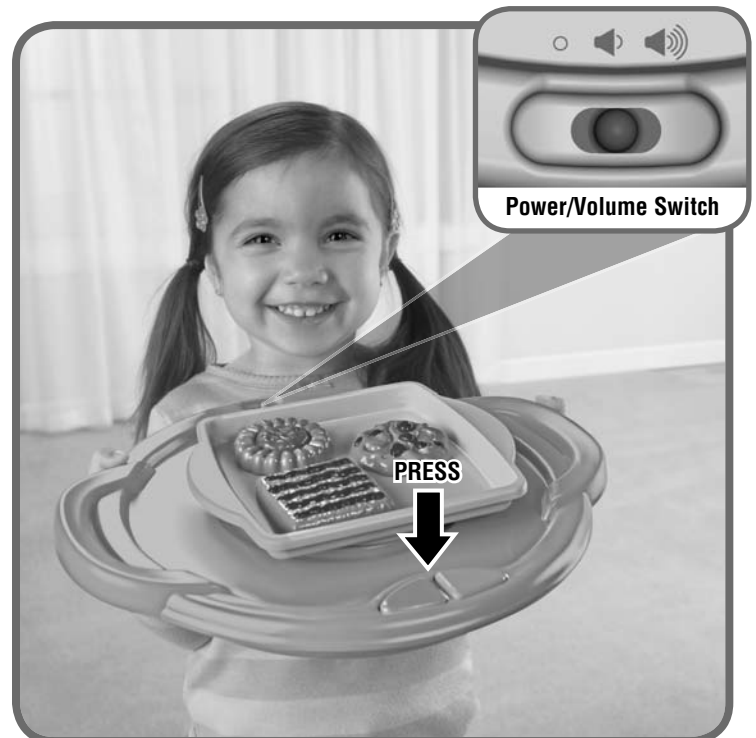
Serving Tray

- Loosen the screw in the battery compartment door and remove the door.
- Insert three "AA" (LR6) **alkaline** batteries.
- Replace the battery compartment door and tighten the screw.
- If the serving tray begins to operate erratically, you may need to reset the electronics. Slide the power/volume switch off and back on.

Make, Serve & Share!



- Slide the power switch ON ● or OFF ○.
- Press the button for cooking sounds and oven light.

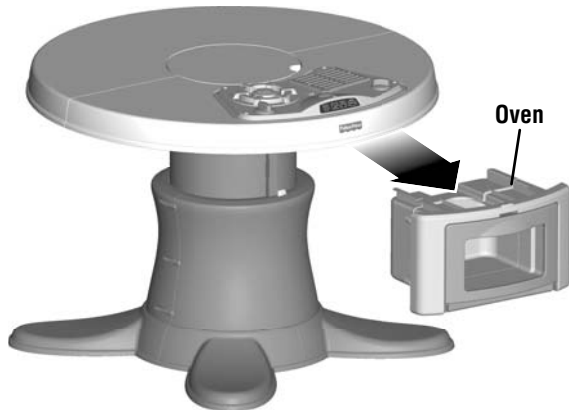
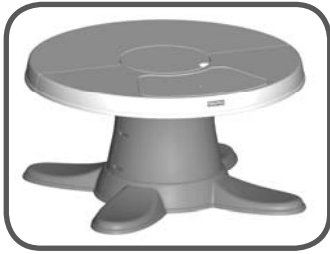


- Slide the power/volume switch on the serving tray to ON with low volume ◀, ON with high volume ◀◀ or OFF ○.
- Put the pizza or the cookie tray on the serving tray and press the buttons. The serving tray recognizes the food you are serving!
- Additional food trays sold separately and subject to availability.

2-in-1 Table

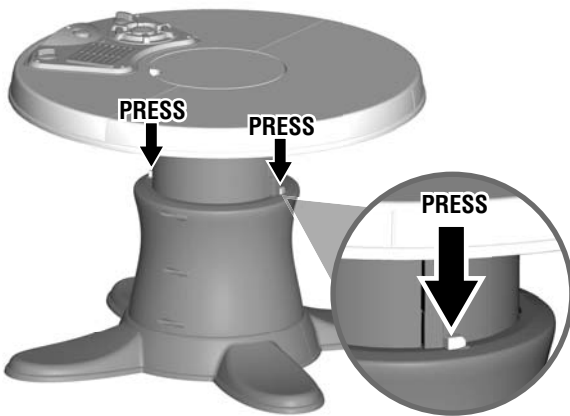
As assembled, this toy is a kitchen. Use these instructions to convert to an activity table and back to a kitchen!

Activity Table (Short)



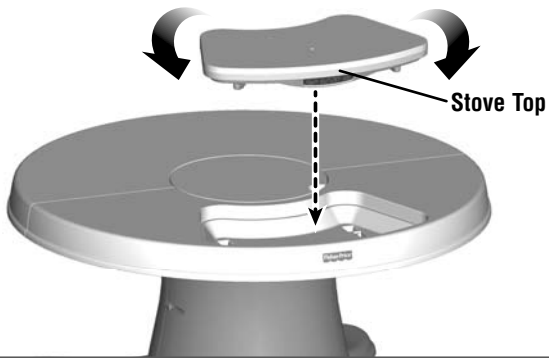
1

- Grasp the sides of the oven and pull to remove the oven from the tabletop for more seating room.



2

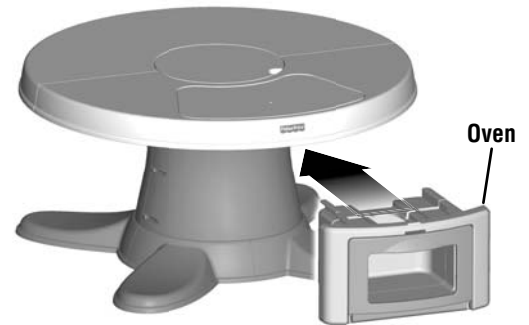
- Press the buttons on the column and carefully lower the tabletop.



3

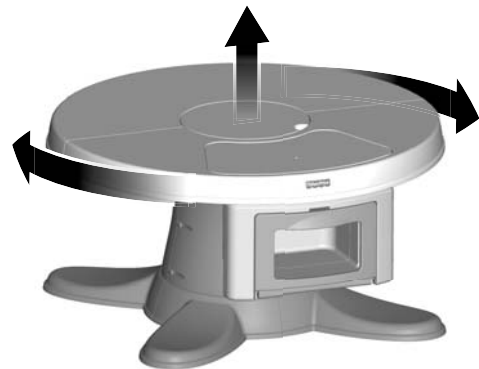
- Remove, turn over and replace the stove top into the tabletop.

Kitchen (Tall)



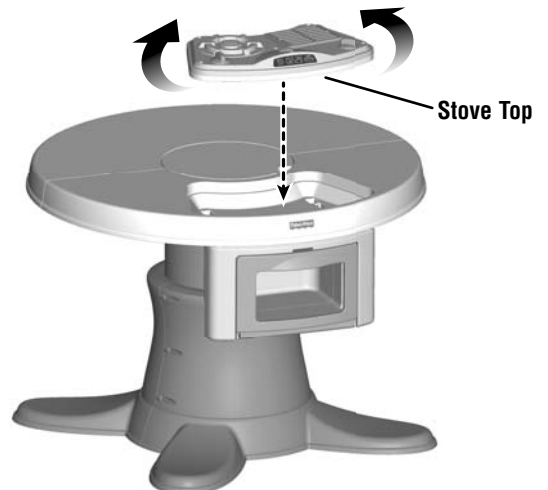
1

- Slide the tabs on the top of the oven into the track under the tabletop.



2

- Lift the tabletop and turn to lock in place. Push down on the tabletop to be sure it's secure.



3

- Remove, turnover and replace the stove top into the tabletop.

Free Manuals Download Website

<http://myh66.com>

<http://usermanuals.us>

<http://www.somanuals.com>

<http://www.4manuals.cc>

<http://www.manual-lib.com>

<http://www.404manual.com>

<http://www.luxmanual.com>

<http://aubethermostatmanual.com>

Golf course search by state

<http://golfingnear.com>

Email search by domain

<http://emailbydomain.com>

Auto manuals search

<http://auto.somanuals.com>

TV manuals search

<http://tv.somanuals.com>