



INSTRUCTIONS

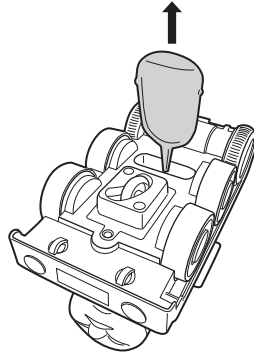
Please keep these instructions for future reference as they contain important information.

HOW TO FILL WITH WATER FOR STEAM

In order for Thomas to chug with steam, you have to fill his boiler.

1. When filling the boiler, be sure the ON/OFF (I/O) switch on THOMAS is in the OFF (O) position. The ON/OFF (I/O) switch is located on the back of THOMAS, next to the battery compartment (see battery diagram for THOMAS).

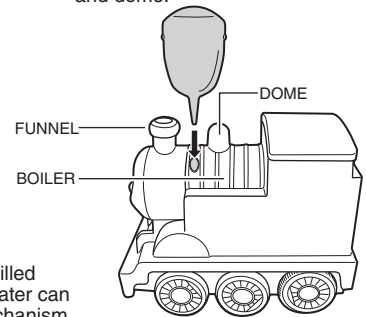
2. Remove the small water-tube stored underneath Thomas' chassis.



3. Squeeze and fill the water-tube to the fill-line, checking the water-level while holding the tube in an upright position.



4. Insert the water tube into the small hole found between Thomas' funnel and dome.



NOTE: It is best to use COLD distilled water rather than tap water. Tap water can cause mineral deposits in the mechanism of the toy. Never use HOT water.

IMPORTANT NOTE:

- ALWAYS USE THE WATER-TUBE IN FILLING THE BOILER. NEVER PLACE THE ENGINE DIRECTLY UNDER THE FAUCET.
- DO NOT POUR WATER OR SOLID OBJECTS INTO THOMAS' FUNNEL.
- If the funnel or engine does get wet, shake the water loose and allow it to dry before playing again. Allowing the funnel or engine to get wet repeatedly can cause permanent damage to the toy.

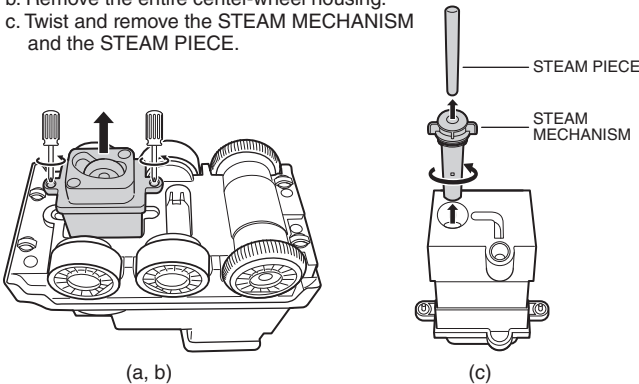
5. Gently squeeze the water-tube, slowly filling the boiler a little at a time.

When the water-tube is empty, the boiler is full. After using the water-tube, dry and store in the storage pocket found under Thomas' chassis. Thomas is now ready to puff steam as he chugs along!

It may take a few tries before Thomas starts puffing steam. After a while, you may need to add more water to make more steam.

6. After several weeks or months, if Thomas is no longer puffing steam, you may need to clean or replace the STEAM PIECE that creates the steam. To open the engine steaming mechanism:

- Remove the 2 screws found on the bottom of Thomas' chassis.
- Remove the entire center-wheel housing.
- Twist and remove the STEAM MECHANISM and the STEAM PIECE.



7. Before replacing the original STEAM PIECE with the new one, you might want to try cleaning the original STEAM PIECE with water – it may just be dirty.

If it needs to be replaced, we have included a REPLACEMENT STEAM PIECE for your convenience – please keep it in a safe place for when you need to replace it. Once the STEAM PIECE is cleaned or replaced:

- Insert and twist the STEAM MECHANISM until it locks in.
- Re-insert the housing and re-fasten the screws.
- Re-fill the boiler and Thomas is ready to puff steam again!

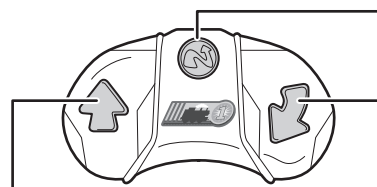
IMPORTANT NOTE: Steps 5, 6, and 7 are to be done by an adult. For safety, keep the small replacement part away from children.

HOW TO PLAY

Be sure the ON/OFF (I/O) switch on THOMAS is in the ON (I) position. The ON/OFF (I/O) switch is located on the back of THOMAS, next to the battery compartment (see battery diagram for THOMAS). Be sure the ON/OFF (I/O) switch on the R/C is in the ON (I) position. The ON/OFF (I/O) switch is located on the bottom of the R/C, next to the battery compartment (see battery diagram for the R/C).

There are 3 buttons on the R/C to control THOMAS:

- SPECIAL
- FORWARD
- REVERSE



SPECIAL

Press this button to make Thomas perform 3 pre-programmed moves:

1. Steam Spin
2. Pumping Pistons
3. Twisting Tracks

FORWARD

Press this button to make Thomas roll forward in a straight line.



REVERSE

Press this button to make Thomas roll backward in a circle.



NOTE: The R/C works better indoors and in darker lighting conditions. Sunlight and bright lights can interfere with the function of the R/C.

For best results, make sure the R/C is no further than 5 feet (1.5m) away from THOMAS while playing. Be sure to point the R/C directly at THOMAS with nothing in between THOMAS and the R/C.

For best performance, use on a hard flat surface or low pile rug or carpeting.

BATTERY SAVE MODE

- If the toy is not played with for more than 10 seconds it will automatically shut-off to preserve battery life.
- To resume play, simply pick up Thomas and put him down again – this will reset his electronics. You can also turn the ON/OFF (I/O) switch OFF (O) and then ON (I) again.

BATTERY INSTALLATION

Unscrew and lift cover away from back of products.
Install batteries as indicated inside the battery compartment.
For longer life use only alkaline batteries.
If this toy begins to operate erratically, you may need to reset the electronics.
Remove the batteries from the toy and replace them.
Requires 4 'AA' (LR6) and 3 'AAA' (LR03) batteries.

BATTERY SAFETY INFORMATION

In exceptional circumstances batteries may leak fluids that can cause a chemical burn injury or ruin your product. To avoid battery leakage:

- Non-rechargeable batteries are not to be recharged.
- Rechargeable batteries are to be removed from the product before being charged.
- Rechargeable batteries are only to be charged under adult supervision.
- Do not mix alkaline, standard (carbon-zinc), or rechargeable (nickel-cadmium) batteries.
- Do not mix old and new batteries.
- Only batteries of the same or equivalent type as recommended are to be used.
- Batteries are to be inserted with the correct polarity.
- Exhausted batteries are to be removed from the product.
- The supply terminals are not to be short-circuited.
- Dispose of battery(ies) safely.
- Do not dispose of this product in a fire. The batteries inside may explode or leak.

This equipment has been tested and found to comply with the limits for a Class B digital device, pursuant to part 15 of the FCC rules. These limits are designed to provide reasonable protection against harmful interference in a residential installation. This equipment generates, uses and can radiate radio frequency energy and, if not installed and used in accordance with the instructions, may cause harmful interference to radio communications. However, there is no guarantee that interference will not occur in a particular installation. If this equipment does cause harmful interference to radio or television reception, which can be determined by turning the equipment off and on, the user is encouraged to try to correct the interference by one or more of the following measures:

Reorient or relocate the receiving antenna. Increase the separation between the equipment and receiver. Connect the equipment into an outlet on a circuit different from that to which the receiver is connected.

Consult the dealer or an experienced radio/TV technician for help.

NOTE: Changes or modifications not expressly approved by the manufacturer responsible for compliance could void the user's authority to operate the equipment.

This device complies with part 15 of the FCC Rules. Operation is subject to the following two conditions:

- (1) This device may not cause harmful interference, and
 - (2) this device must accept any interference received, including interference that may cause undesired operation.
- THIS CLASS B DIGITAL APPARATUS COMPLIES WITH CANADIAN ICES-003.
 - CET APPAREIL NUMERIQUE DE LA CLASSE B EST CONFORME A LA NORME NMB-003 DU CANADA.
 - Operation is subject to the following two conditions: (1) this device may not cause interference, and
 - (2) this device must accept any interference, including interference that may cause undesired operation of the device.
 - L'utilisation de ce produit est sujette aux conditions suivantes : (1) il ne doit pas produire de brouillage et
 - (2) il doit pouvoir tolérer tout brouillage reçu, même si ce brouillage est susceptible de compromettre son fonctionnement.

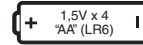
ADULT ASSEMBLY REQUIRED. Tool needed: Phillips screwdriver (not included).

⚠ CAUTION: This package contains small parts. For adult assembly only.

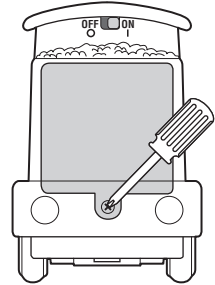
• **Overfilling the "boiler" (water reservoir) may cause leakage.**

- Water toys sometimes get messy. Protect play surfaces before use.
- Dry all items thoroughly before storing.

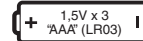
THOMAS



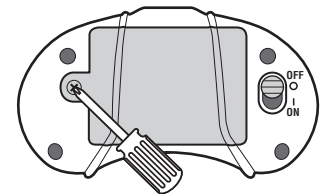
Required tool:
Phillips screwdriver (not included)



R/C (Remote Control)



Required tool:
Phillips screwdriver (not included)



CONSUMER ASSISTANCE

1-800-432-5437 (US & Canada)
1300 135 312 (Australia)

service.fisher-price.com

Fisher-Price, Inc., 636 Girard Avenue, East Aurora, NY 14052.
Hearing-impaired consumers: 1-800-382-7470.

Outside the United States:

Canada: Mattel Canada Inc., 6155 Freemont Blvd.,
Mississauga, Ontario L5R 3W2; www.service.mattel.com.

Great Britain: Mattel UK Ltd, Vanwall Business Park,
Maidenhead SL6 4UB. Helpline: 01628 500303.
www.service.mattel.com/uk

Mattel Europa B.V., Gondel 1, 1186MJ Amstelveen, Nederland.

Australia: Mattel Australia Pty. Ltd., 658 Church Street,
Locked Bag #870, Richmond, Victoria 3121 Australia.

New Zealand: 16-18 William Pickering Drive,
Albany 1331, Auckland.

Thomas the Tank Engine & Friends™



CREATED BY BRITT ALLCROFT

Based on the Railway Series by The Reverend W Awdry.

©2012 Gullane (Thomas) Limited. Thomas the Tank Engine & Friends
and Thomas & Friends are trademarks of Gullane (Thomas) Limited.

© HIT Entertainment Limited. HIT and the HIT logo are trademarks of
HIT Entertainment Limited.

©2012 Mattel. All Rights Reserved.

® and ™ designate U.S. trademarks of Mattel, except as noted.

PRINTED IN CHINA.

Mattel East Asia Ltd., Room 1106, South Tower, World Finance Centre,
Harbour City, Tsimshatsui, HK, China.



Protect the environment by not disposing
of this product with household waste
(2002/96/EC). Check your local authority
for recycling advice and facilities.



T3431/ X8530
Fisher-Price®

Free Manuals Download Website

<http://myh66.com>

<http://usermanuals.us>

<http://www.somanuals.com>

<http://www.4manuals.cc>

<http://www.manual-lib.com>

<http://www.404manual.com>

<http://www.luxmanual.com>

<http://aubethermostatmanual.com>

Golf course search by state

<http://golfingnear.com>

Email search by domain

<http://emailbydomain.com>

Auto manuals search

<http://auto.somanuals.com>

TV manuals search

<http://tv.somanuals.com>