



# Bubble Tractor™



Product features may vary from the picture above.

## Owner's Manual with Assembly Instructions

Please read this manual and save it with your original sales receipt.

For Model 75320

Tools needed for assembly: Phillips Screwdriver, Hammer, and Slotted Screwdriver (not included).

Use only with a Power Wheels® 6 Volt (4.0 amp/Hr.) Battery, Power Wheels® 25 amp Fuse and Power Wheels® 6 Volt (4.0 amp/Hr.) Charger (all included).

# Table of Contents

<b>A</b>	Important Information	.2
<b>B</b>	Warnings and Cautions	.3
<b>C</b>	Parts	.4
<b>D</b>	Parts Diagram	.5
<b>E</b>	Battery Charging	.6
<b>F</b>	Assembly	.8
<b>G</b>	Label Decoration	.14
<b>H</b>	Battery Installation	.15
<b>I</b>	Battery Care and Disposal	.16
<b>J</b>	Caring For Your Vehicle	.16
<b>K</b>	Rules For Safe Driving	.17
<b>L</b>	How to Operate Your Vehicle	.18
<b>M</b>	Bubblin' Fun	.18
<b>N</b>	Problems and Solutions Guide	.21
<b>O</b>	Statement of Limited Warranty	.24
<b>P</b>	Authorized Service Centers	.24

## A

## Important Information

- Your new vehicle requires adult assembly. Please set aside at least 45 minutes for assembly.
- You must charge your battery for 18 - 30 hours **before you use your vehicle for the first time**. We recommend that you start charging your battery before beginning assembly. Please see Battery Charging beginning on page 6 for detailed instructions.
- Read this manual carefully for important safety information and operating instructions before using your vehicle. Please keep this manual for future reference as it contains important information.
- This vehicle is designed for use: on grass, asphalt and other hard surfaces; on generally level terrain; and by children 12 - 36 months of age.
- Make sure children know and follow these rules for safe driving and riding:
  - always sit on the seat.
  - always wear shoes.
  - only 1 (one) rider at a time.
- To prevent damaging the motors and gears, do not tow anything behind the vehicle or overload it. Do not exceed the maximum weight capacity of 40 lb. (18 kg).
- If you have any questions about your Power Wheels® vehicle, please call our toll-free service lines at **1-800-348-0751** from 8 AM to 6 PM (EST) Monday through Friday. Trained customer service representatives are available to take your call in English or French. Habla Español? Si usted tiene alguna pregunta ó necesita asistencia llame gratis **1-800-348-0755** para los Estados Unidos. Tenemos representantes que hablan español para atender su llamada.
- For your convenience, Power Wheels® maintains an Authorized Service Center Network with more than 400 authorized service centers nationwide. Our authorized service centers will repair or replace parts under warranty at no extra charge, and can perform non-warranty repairs for a minimal charge. Please see the Authorized Service Center list beginning on page 24 to find the authorized service center nearest you, or call **1-800-348-0751**.
- Please complete and return the enclosed Registration Card today, or call **1-800-348-0751** to register your vehicle by phone.

**ELECTRICAL HAZARD** **WARNING**

- Battery can fall out and injure a child if vehicle tips over. Always use battery clamp.
- **PREVENT FIRE**
  - Do not bypass a Power Wheels® fuse. It is a safety device.
  - Use only a Power Wheel® 25 Amp fuse.
  - Never modify the electrical system. Alterations could cause a fire resulting in serious injury and could also ruin the electrical system.
  - Use of the wrong type battery, fuse or charger could cause a fire or explosion resulting in serious injury.
  - Use of Power Wheels® components in products other than Power Wheels® vehicles could cause overheating, fire or explosion.
- The battery must be handled by adults only. The battery is heavy and contains sulfuric acid (electrolyte). Dropping the battery could result in serious injury.
- Never allow children to charge the battery. Battery charging must be done by adults only. A child could be injured by the electricity involved in charging the battery.
- Never lift or carry the battery by the wires or connector. This can damage the battery and possibly cause a fire resulting in serious injury. Lift and carry the battery by the case only.
- Read the safety instructions on the battery.
- Examine the battery, charger and their connectors for excessive wear or damage each time you charge the battery. If damage or excessive wear is detected, do not use the charger or the battery until you have replaced the worn or damaged part.
- **HOT** motors. Handle carefully.

**RIDING HAZARD** **WARNING**


- **Prevent Injuries and Deaths**
  - Direct Adult Supervision Required
  - Keep Children Within Safe Riding Areas.  
These areas must be:
    - away from swimming pools and other bodies of water to prevent drownings
    - generally level to prevent tipovers
    - away from steps, driveways, roads and alleys.

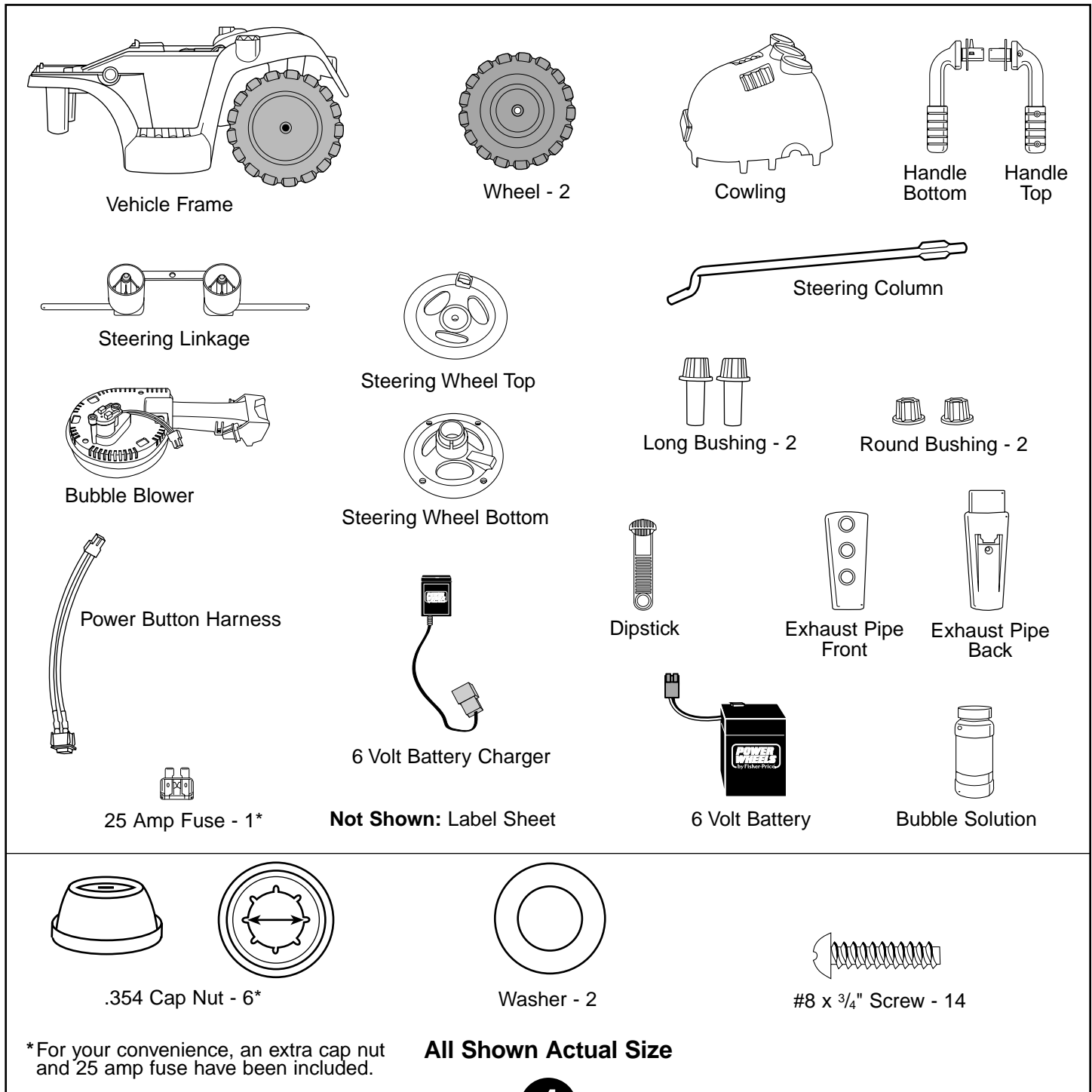
 **CAUTION**

- In the unassembled state, this package contains small parts. Adult assembly is required.
- Use the charger in dry locations only.

# C

## Parts

- If you experience a problem with this product, or are missing a part, please call us at **1-800-348-0751**, rather than return this product to the store.
- Please identify all parts before assembly and save all packaging material until assembly is complete to ensure that no parts are discarded.
- Some parts were placed under the seat for shipment. Unlock the seat lock fastener, using a slotted screwdriver to rotate the lock fastener  $\frac{1}{4}$  turn to the unlocked position . Lift the seat to access the battery compartment.
- Metal parts have been coated with a lubricant to protect them during shipment. Wipe all metal parts with a paper towel to remove any excess lubricant.

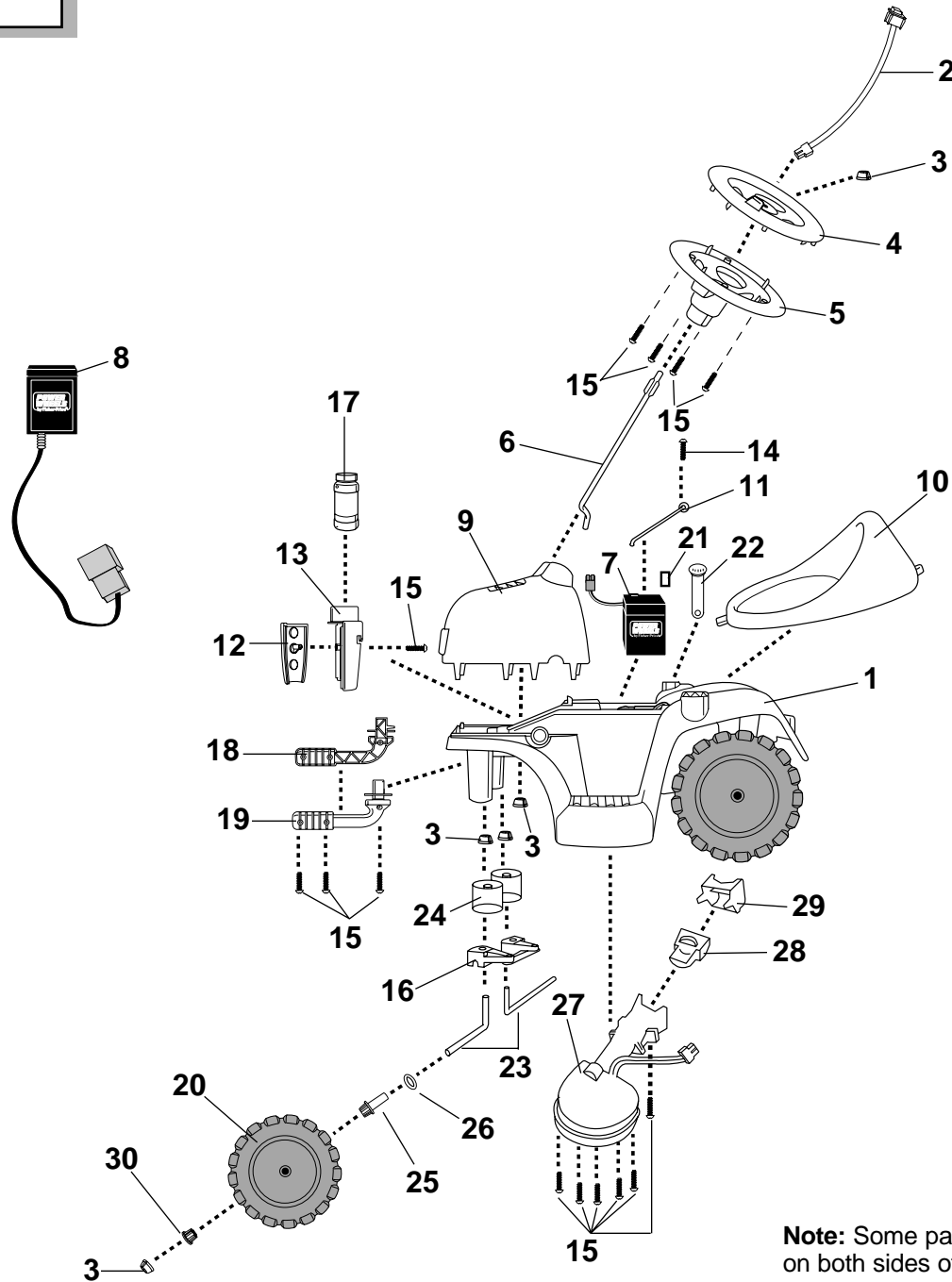


\*For your convenience, an extra cap nut and 25 amp fuse have been included.

**All Shown Actual Size**

# D

## Parts Diagram



**Note:** Some parts shown are assembled on both sides of the vehicle.

- |                                 |                          |                                   |
|---------------------------------|--------------------------|-----------------------------------|
| 1. Vehicle Frame                | 11. Battery Clamp        | 21. 25 Amp Fuse                   |
| 2. Power Button Harness         | 12. Exhaust Pipe Front   | 22. Dipstick                      |
| 3. Cap Nut - 6                  | 13. Exhaust Pipe Back    | 23. Front Axle - 2                |
| 4. Steering Wheel Top           | 14. #8-18 x 7/8" Screw   | 24. Steering Bushing - 2          |
| 5. Steering Wheel Bottom        | 15. #8 x 3/4" Screw - 14 | 25. Long Bushing - 2              |
| 6. Steering Column              | 16. Steering Linkage     | 26. Washer - 2                    |
| 7. 6 Volt (4.0 Amp/Hr.) Battery | 17. Bubble Solution      | 27. Bubble Blower                 |
| 8. 6 Volt (4.0 Amp/Hr.) Charger | 18. Handle Bottom        | 28. Reservoir                     |
| 9. Cowling                      | 19. Handle Top           | 29. Reservoir Cover               |
| 10. Seat                        | 20. Wheel - 2            | 30. Round Bushing - 2             |
|                                 |                          | <b>Not Shown:</b> Label Sheet - 2 |

**ELECTRICAL HAZARD****⚠ WARNING**

- Battery can fall out and injure a child if vehicle tips over. Always use battery clamp.
- **PREVENT FIRE**
  - Do not bypass a Power Wheels® fuse. It is a safety device.
  - Use only a Power Wheels® 25 Amp fuse.
  - Never modify the electrical system. Alterations could cause a fire resulting in serious injury and could also ruin the electrical system.
  - Use of the wrong type battery, fuse or charger could cause a fire or explosion resulting in serious injury.
  - Use of Power Wheels® components in products other than Power Wheels® vehicles could cause overheating, fire or explosion.
- The battery must be handled by adults only. The battery is heavy and contains sulfuric acid (electrolyte). Dropping the battery could result in serious injury.
- Never allow children to charge the battery. Battery charging must be done by adults only. A child could be injured by the electricity involved in charging the battery.
- Never lift or carry the battery by the wires or connector. This can damage the battery and possibly cause a fire resulting in serious injury. Lift and carry the battery by the case only.
- Read the safety instructions on the battery.
- Examine the battery, charger and their connectors for excessive wear or damage each time you charge the battery. If damage or excessive wear is detected, do not use the charger or the battery until you have replaced the worn or damaged part.
- **HOT** motors. Handle carefully.

**⚠ CAUTION**

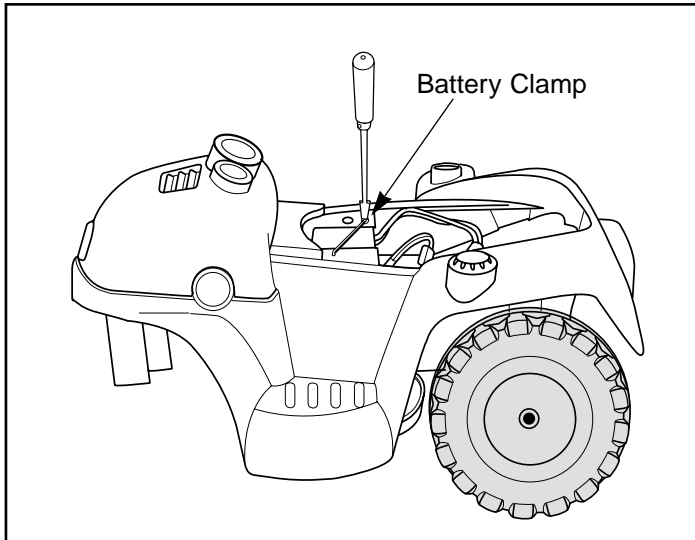
Use the charger in dry locations only.

**Important Notes**

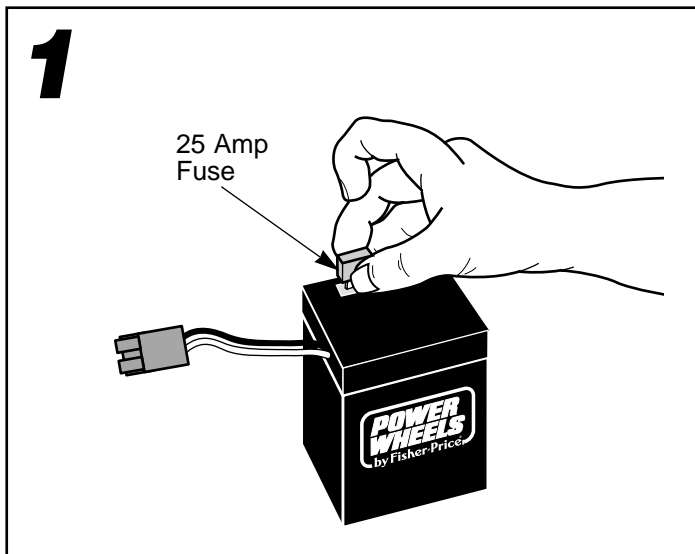
- **Your new battery must be charged for at least 18 hours before you use it in your vehicle for the first time.**
- We recommend that you start charging your battery before beginning assembly of your new vehicle.
- The battery must be upright while charging.
- The charger is not a toy.
- Do not short circuit the battery.
- The battery must be removed from your vehicle for the initial charge in order to complete assembly. You do not need to remove the battery from the vehicle to recharge it.
- Before charging the battery, examine the battery case for cracks and other damage which may cause sulfuric acid (electrolyte) to leak during the charging process. If damage is detected, do not charge the battery or use it in your vehicle. Battery acid is very corrosive and can cause severe damage to surfaces it contacts.
- Do not charge the battery on a surface which could be damaged by the acid contained inside the battery. Take precautions to protect the surface on which you charge your battery.
- Use only a Power Wheels® 6 volt (4.0 Amp/Hr.) charger with an input of 120 VAC, 60Hz 6W and an output of 6V DC, 400 mA and a 25 amp fuse to charge your Power Wheels® rechargeable 6 volt (4.0 Amp/Hr.) battery.

# Battery Charging

**IMPORTANT!** The battery must be removed from your vehicle for the initial charge in order to complete assembly. After assembly is complete, you do not need to remove the battery from your vehicle to recharge it.

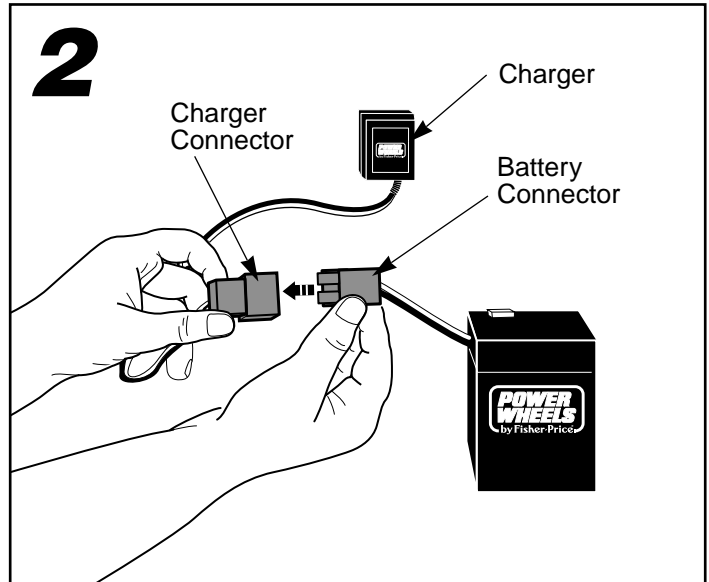


- Using a Phillips screwdriver, loosen the screw in the battery clamp. Remove the battery clamp from the vehicle frame.
- Remove the Power Wheels® 6 Volt (4.0 Amp/Hr.) battery from the battery compartment.
- Discard any cardboard that may have been used to protect the battery during shipping.

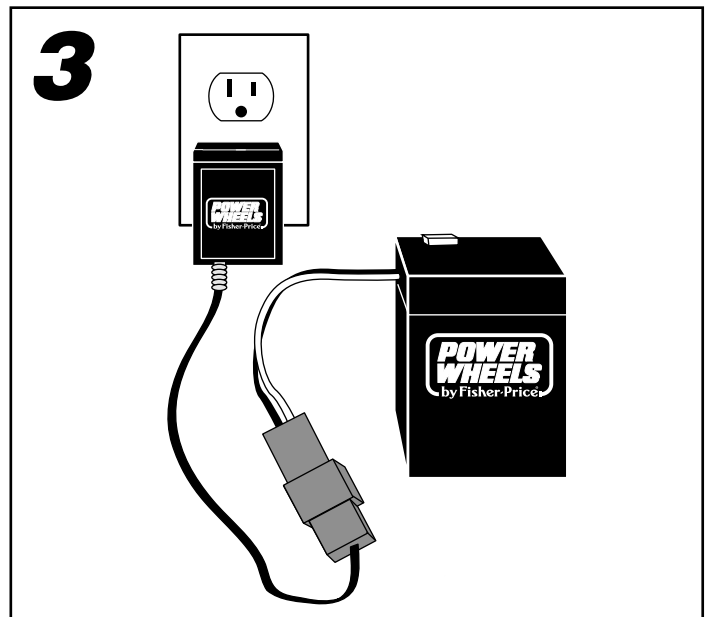


- If you are charging the battery for the first time, insert a 25 amp fuse into the battery.

**Note:** The top of the fuse will not be flush with the top of the battery when properly installed.



- Fit the charger connector and the battery connector together.

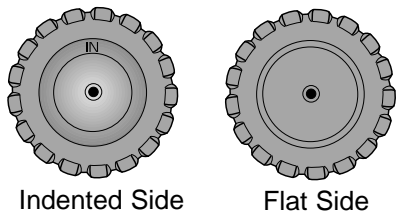
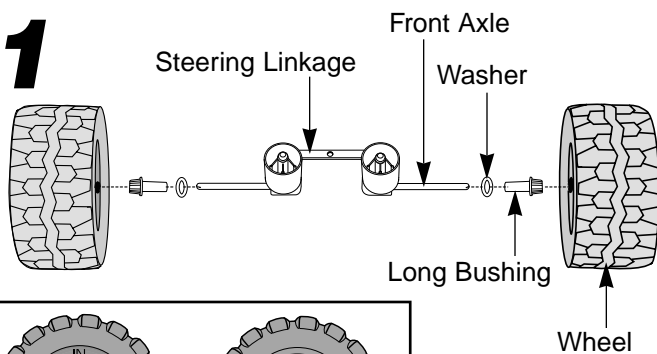


- Plug the charger into a standard 120 volt wall outlet.  
**Note:** If power flow to the wall outlet is controlled by a switch, make sure the switch is "ON".
- **Before first time use, charge the battery for at least 18 hours.** Never charge the battery longer than 30 hours.
- Recharge the battery for at least 14 hours after each use of your vehicle. Do not charge the battery longer than 30 hours.
- Once the battery is charged, disconnect the charger connector from the battery connector. Unplug the charger from the wall outlet. The battery is now charged and is ready to be installed in your vehicle. Please see "Battery Installation" on page 15 for detailed battery installation instructions.

## ⚠ WARNING

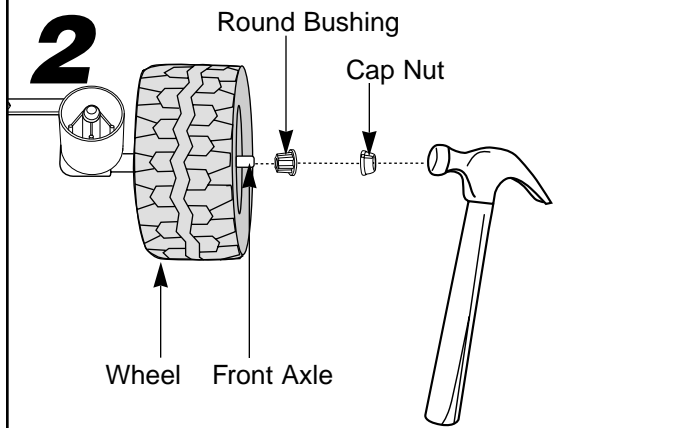
Children can be harmed by small parts, sharp edges and sharp points in the vehicle's unassembled state, or by electrical items. Care should be taken in unpacking and assembly of the vehicle. Children should not handle parts, including the battery, or help in assembly of the vehicle.

### 1



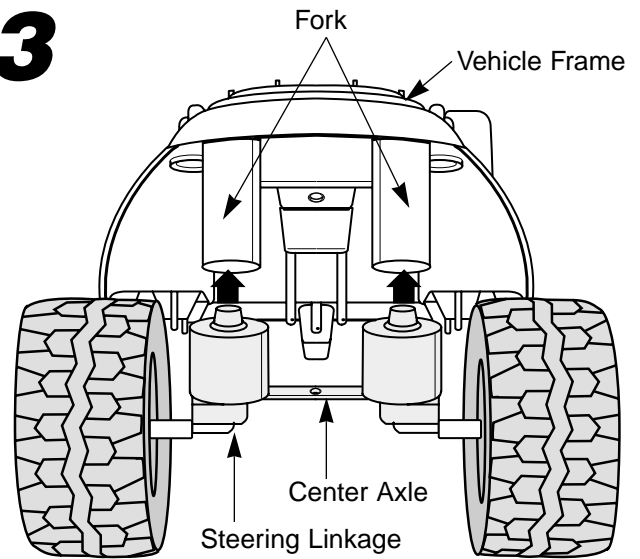
- Slide a washer onto the steering linkage front axes.
- Slide a long bushing, long end first, onto each front axle.
- Slide a wheel, indented side first, onto each front axle.

### 2



- Fit a round bushing, barrel end first, onto the end of a front axle. Push the round bushing into the wheel.
- Fit a cap nut onto the end of the front axle.
- Tap the cap nut with a hammer to secure it on the front axle.
- Repeat this procedure to secure the other wheel to the other front axle.

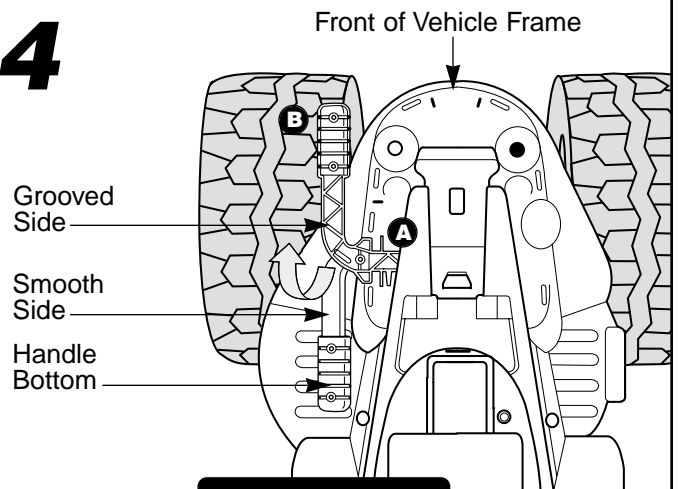
### 3



Front View

- While lifting the front of the vehicle frame, fit the steering linkage onto the fork on the front of the vehicle frame. Make sure the center axle is toward the rear of the vehicle.

### 4

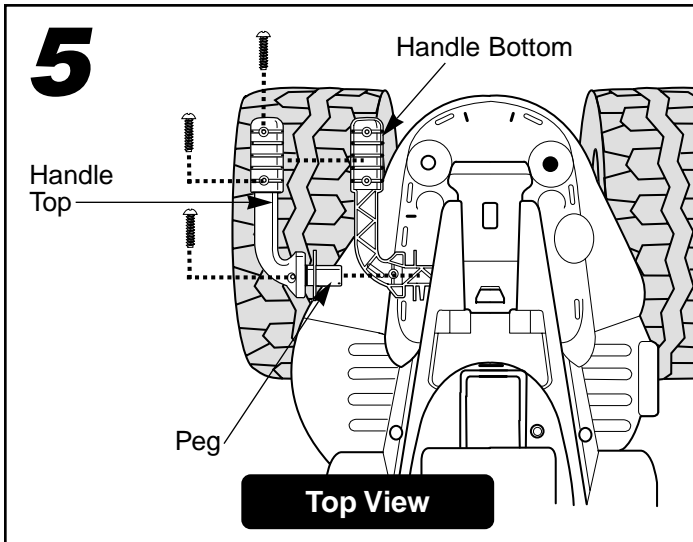


Top View

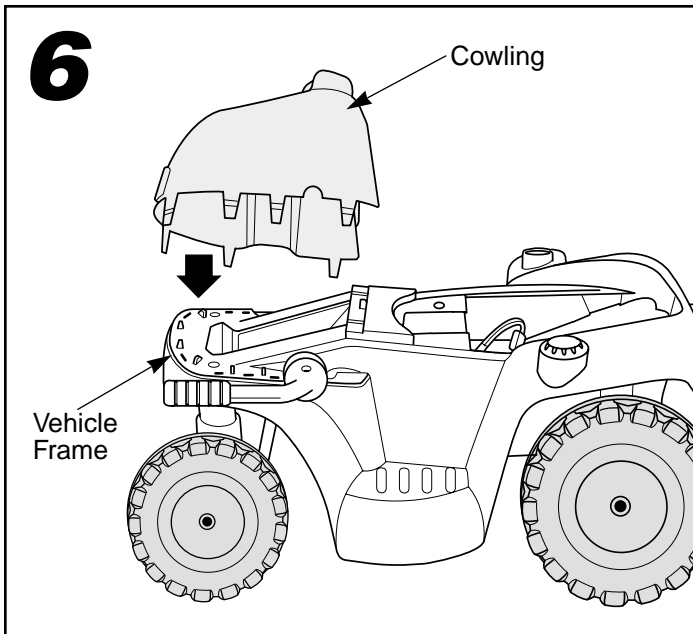
- Position the handle bottom so that the smooth side is upright.
- Insert the handle bottom peg into the hole in the side of the vehicle frame, near the front end **A**.
- Turn the handle over so that the grooved side is upright **B**.



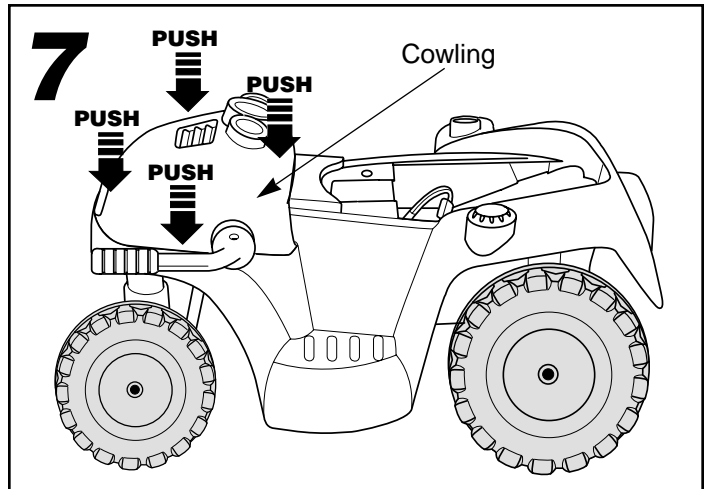
# Assembly



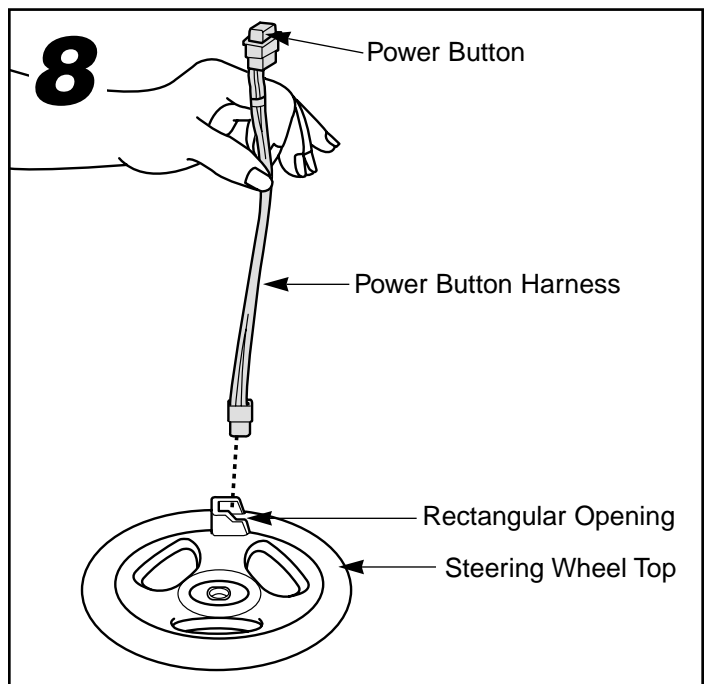
- Position the handle top so that the smooth side is upright.
- Insert the handle top peg into the hole in the side of the vehicle frame, near the front end.
- Fit the handle top and handle bottom together.
- Insert three screws through the handle top and into the handle bottom. Tighten the screws with a Phillips screwdriver. Do not over-tighten.



- Fit the nine tabs on the cowling into the nine slots in the top of the vehicle. **Make sure all nine tabs are in all nine slots.**

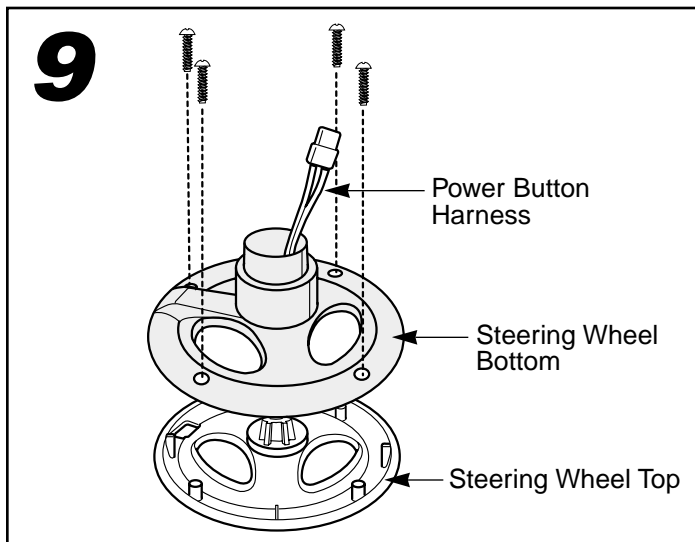


- Push down on the front, back and both sides of the cowling to permanently secure the nine tabs into the nine slots in the vehicle frame.

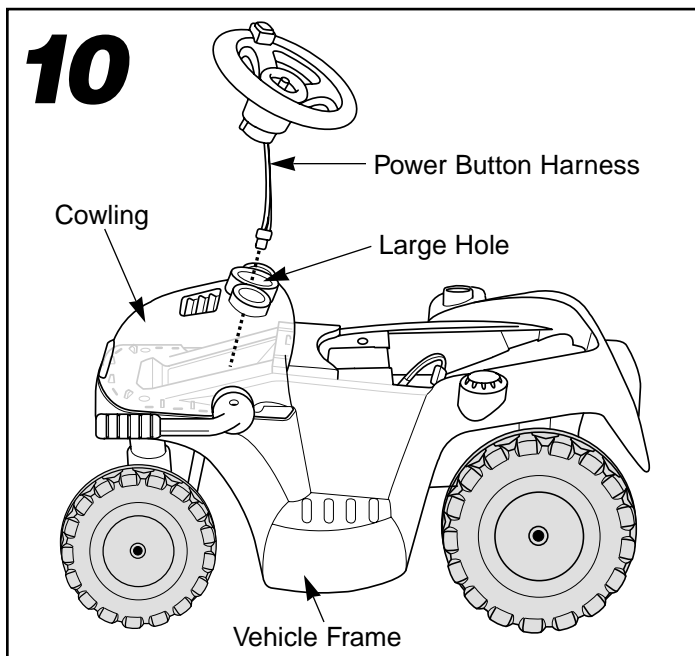


- Position the steering wheel top – right side up.
- Fit the power button harness down through the rectangular opening in the steering wheel top.
- Insert and snap the power button into the steering wheel top.

# Assembly

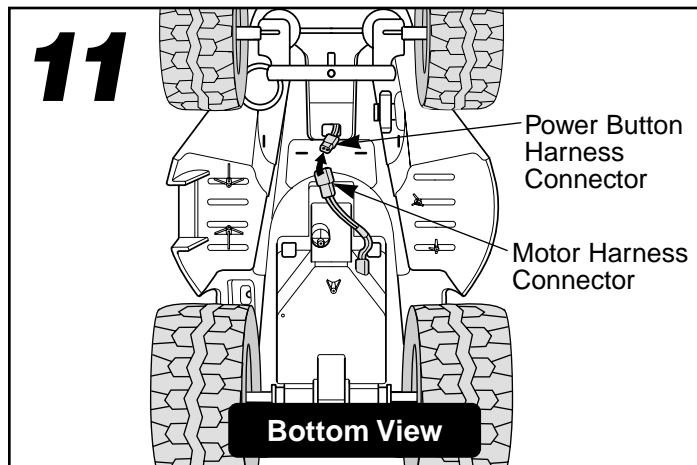


- Turn the steering wheel top over, so that the power button harness faces up.
- Bend the power button harness down (near the power button) toward the center of the steering wheel top.
- Insert the power button harness through the center of the steering wheel bottom, as shown.
- Fit the steering wheel bottom to the steering wheel top and align the four holes in each.
- Insert four screws through the steering wheel bottom and into the steering wheel top. Tighten the screws with a Phillips screwdriver. Do not over-tighten.



- Insert the steering wheel with power button harness down through the large hole in the cowling and the rectangular hole in the vehicle frame.

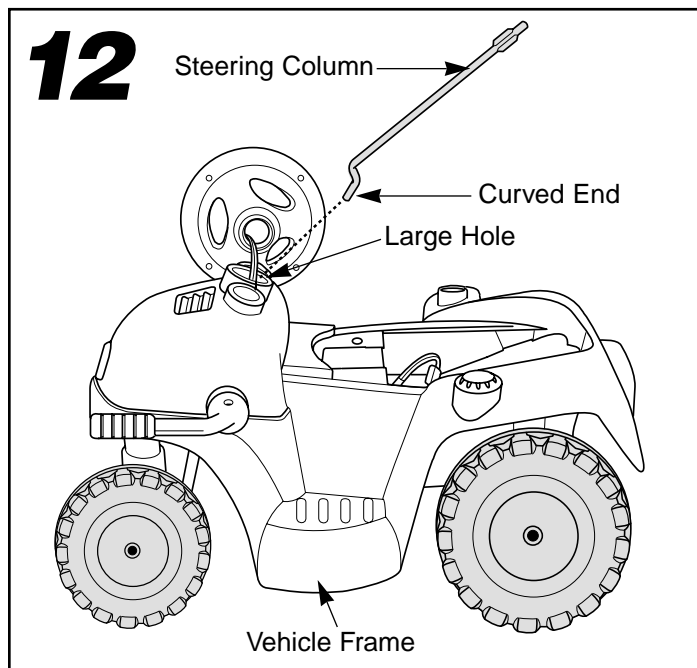
**Hint:** Before inserting the power button harness through this hole, locate the rectangular hole in the vehicle frame by looking through the large hole in the cowling.



**IMPORTANT!** There are three electrical connections to be made on this product. All three electrical connections must be made in order for your product to function properly. Please follow these instructions carefully.

- Carefully turn the vehicle frame over.
- Fit the power button harness connector into the motor harness connector. This is the first electrical connection

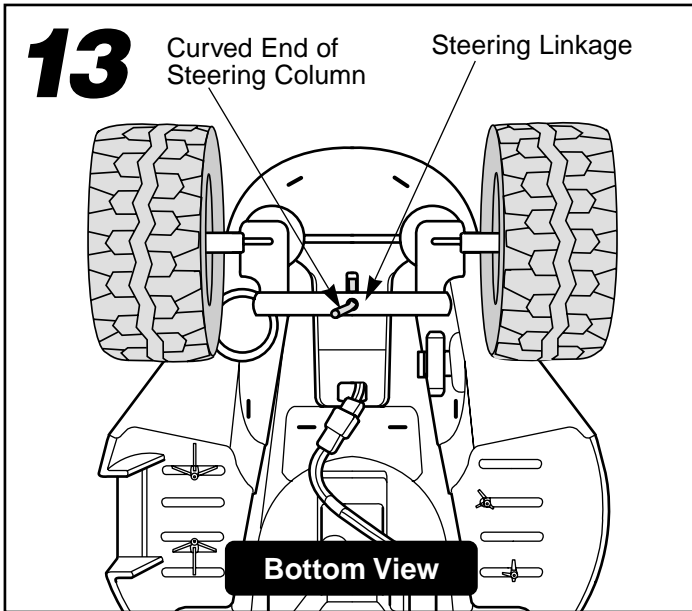
**Note:** If the power button harness connector will not plug into the motor harness connector, turn it over and try again! Do not force the power button harness connector into the motor harness connector.



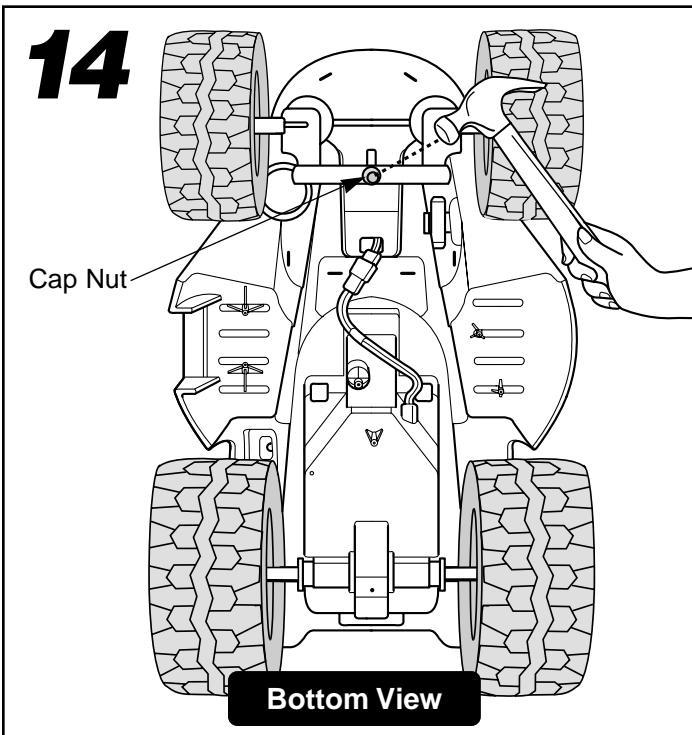
- Turn the vehicle frame upright.
- Fit the steering column (curved end down) through the large hole in the cowling and the small rectangular hole in the vehicle frame.

**Hint:** Before inserting steering column down through this hole, locate the small rectangular hole in the vehicle frame by looking through the large hole in the cowling.

# Assembly

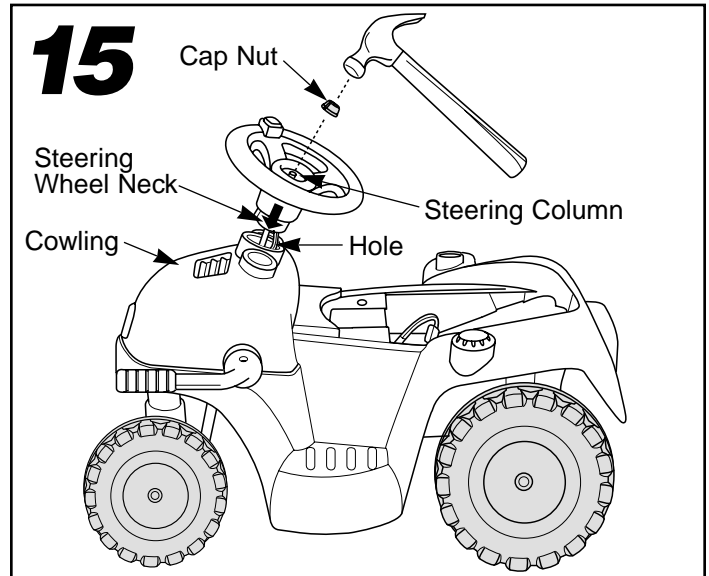


- Carefully turn the vehicle frame over.
- Fit the curved end of the steering column through the hole in the steering linkage.

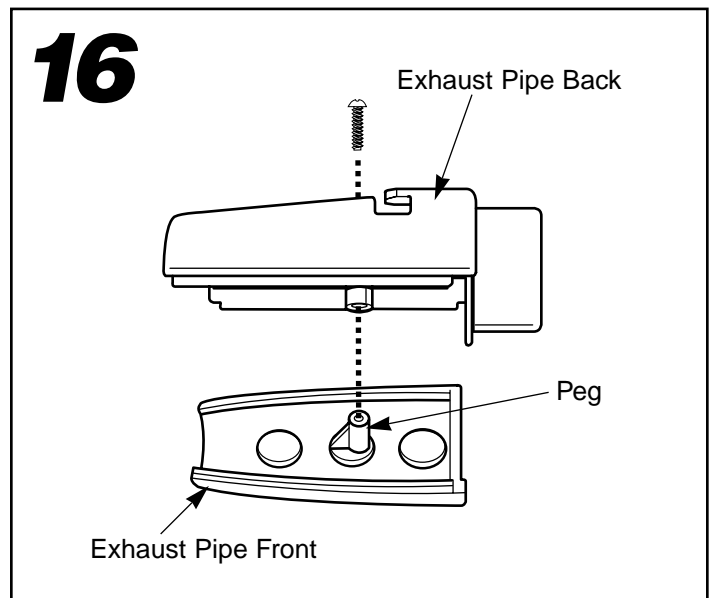


- Fit a cap nut onto the end of the steering column.
- Tap the cap nut with a hammer to secure it on the front axle.

**Hint:** You may want the help of another adult to support the steering column while you tap the cap nut with the hammer.



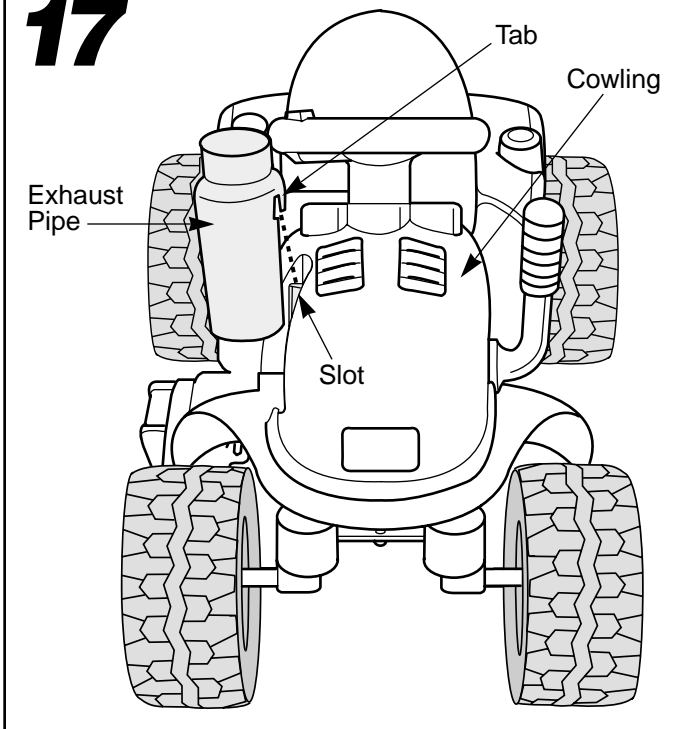
- Turn the vehicle frame upright.
- Insert the steering column straight end up through the hole in the steering wheel.
- Fit the steering wheel neck down into the hole in the cowling.
- Fit a cap nut onto the end of the steering column.
- Tap the cap nut with a hammer to secure it on the steering column.



- Fit the peg on the exhaust pipe front to the exhaust pipe back.
- Insert a screw through the exhaust pipe back and into the exhaust pipe front. Tighten the screw with a Phillips screwdriver. Do not over-tighten.

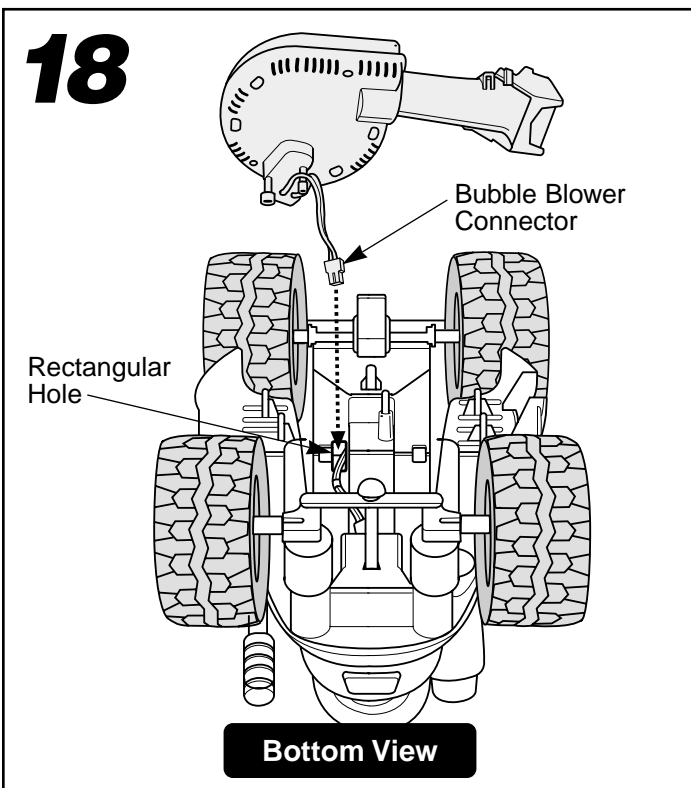
# Assembly

## 17



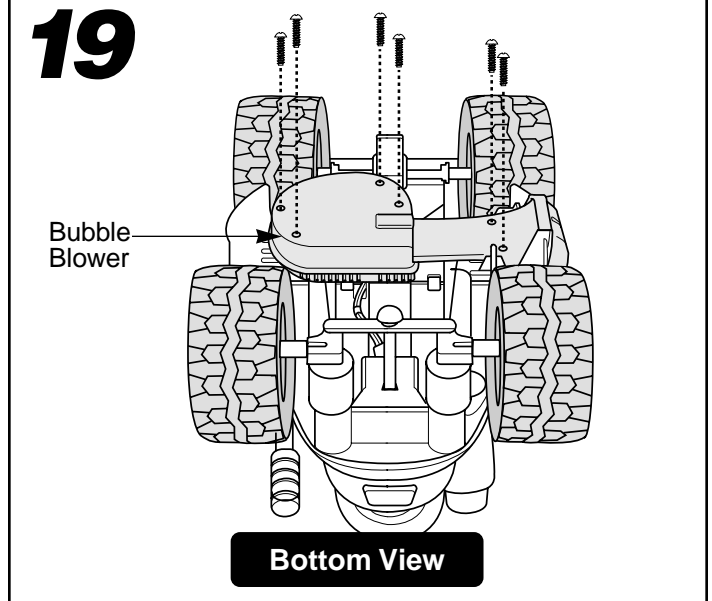
- Insert the tab on the exhaust pipe into the slot in the cowling, as shown.
- Push the exhaust pipe down to “snap” it into place.

## 18



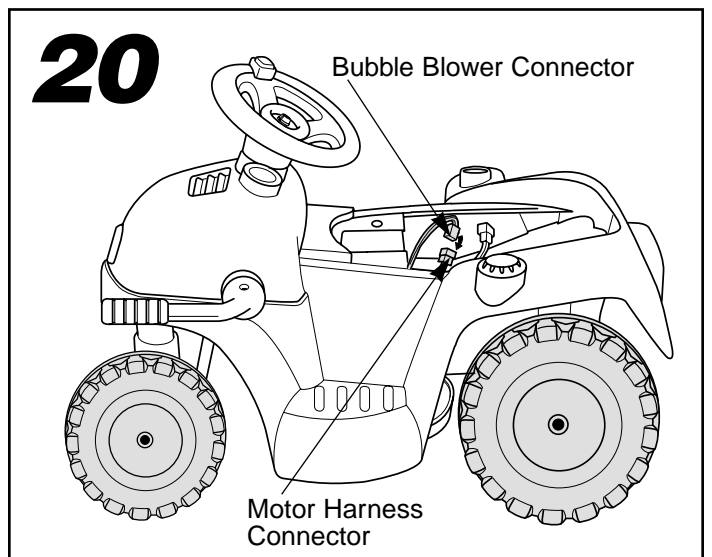
- Turn the vehicle frame over.
- Fit the bubble blower connector down through the rectangular hole in the vehicle body.

## 19



- Fit the bubble blower to the underside of the vehicle frame, as shown.
- Insert six screws through the bubble blower and into the vehicle frame. Tighten the screws with a Phillips screwdriver. Do not over-tighten.

## 20



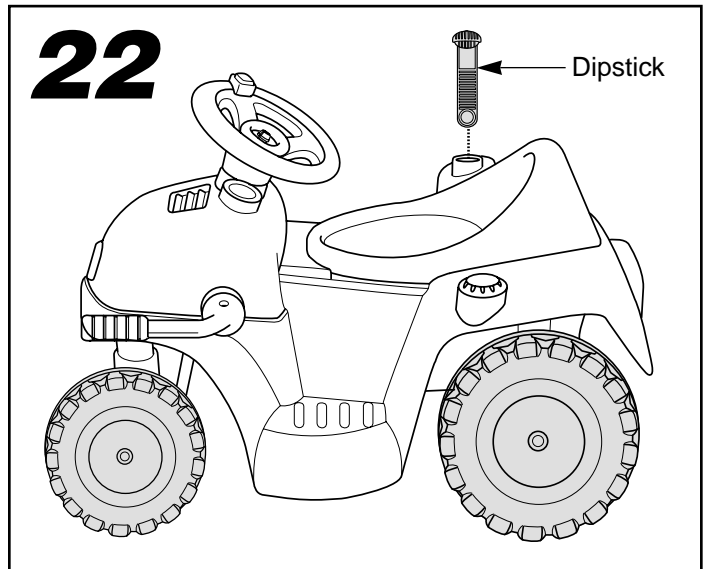
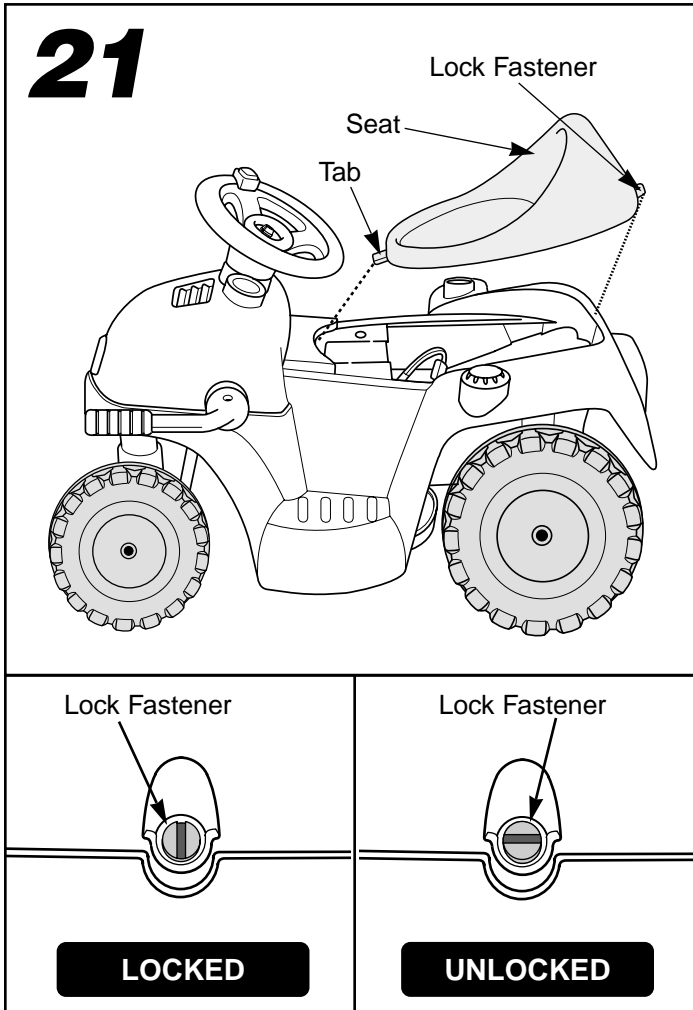
**IMPORTANT!** There are three electrical connections to be made on this product. All three electrical connections must be made in order for your product to function properly. Please follow these instructions carefully.

- Turn the vehicle frame upright.
- Fit the bubble blower connector to the motor harness connector. This is the second electrical connection.

**Note:** If the bubble blower connector will not plug into the motor harness connector, turn it over and try again! Do not force the bubble blower connector into the motor harness connector.

# 12

# Assembly



- Fit the dipstick bubble wand into the hole in the vehicle frame, near the seating area.

**IMPORTANT! Please carefully read the owner's information in this manual and teach your child about proper vehicle operation and rules for safe driving before allowing operation of this vehicle.**

**Note:** If you have already charged your Power Wheels® 6 Volt (4.0 Amp/Hr.) battery for at least 18 hours, you may want to re-install it into the battery compartment before assembling the seat to your vehicle. Please refer to the Battery Installation section beginning on page 15 for instructions.

- Insert the tab on the front of the seat into the slot in the vehicle frame.
- Use a slotted screwdriver to rotate the lock fastener  $\frac{1}{4}$  turn to the locked position (Ⓜ).
- To unlock the lock fastener, use a slotted screwdriver to rotate the lock fastener  $\frac{1}{4}$  turn to the unlocked position (Ⓜ).

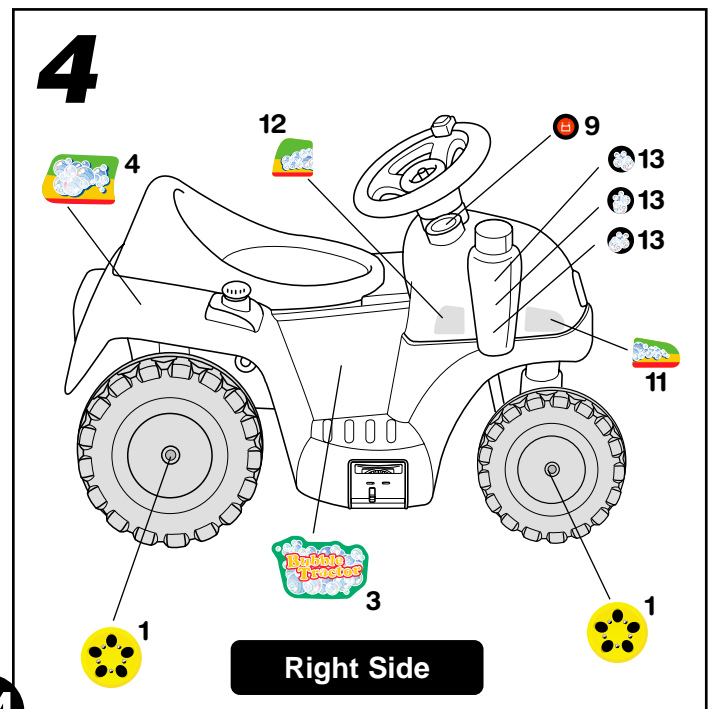
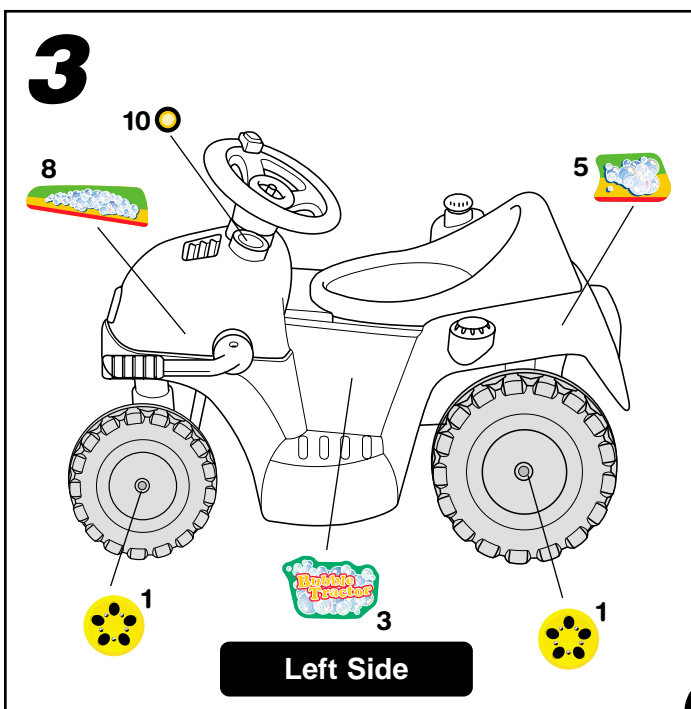
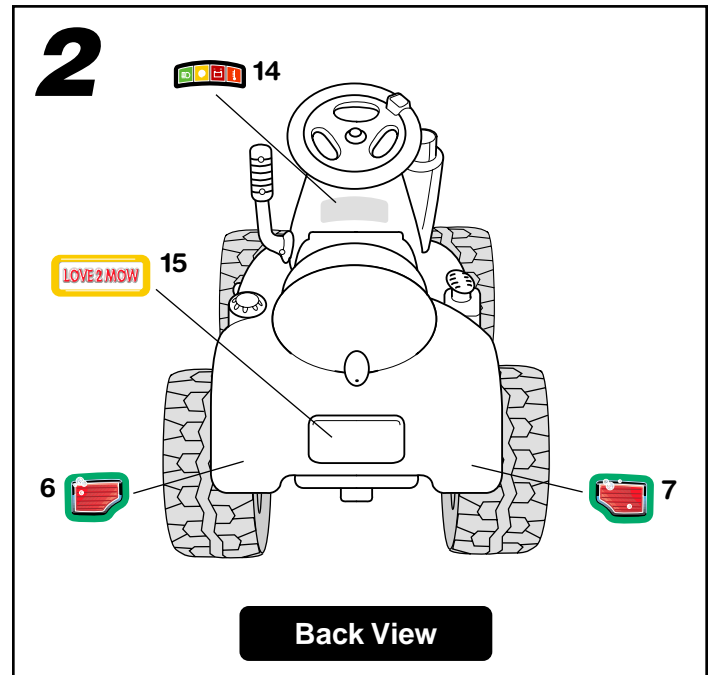
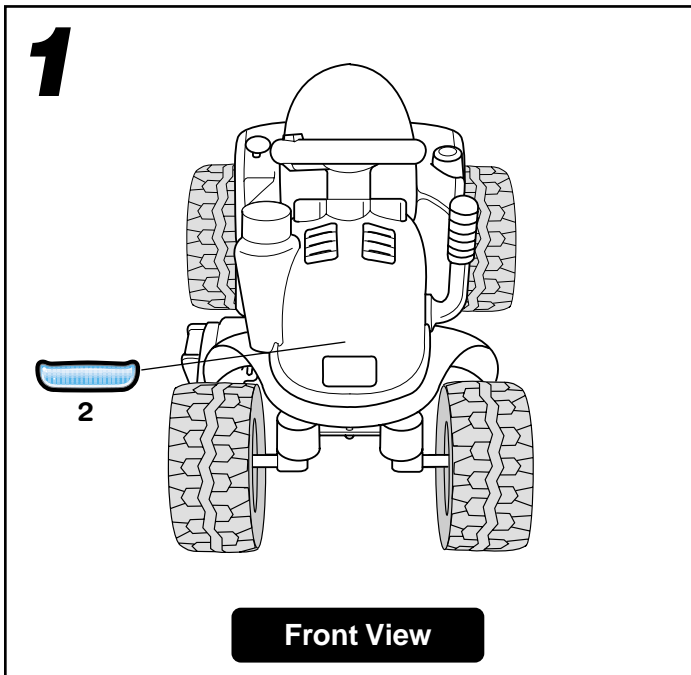
**IMPORTANT! Remember to keep the lock fastener locked at all times to prevent children from accessing the vehicle battery.**

# G

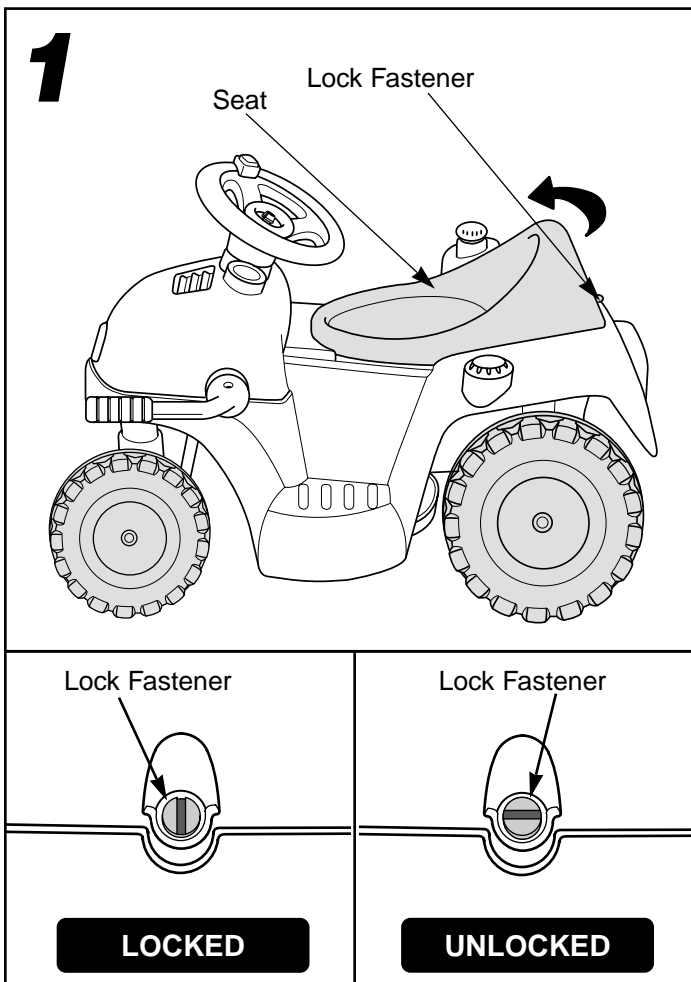
## Label Decoration


Proper label application will help to keep the labels looking their best! When applying labels, keep the following guidelines in mind:

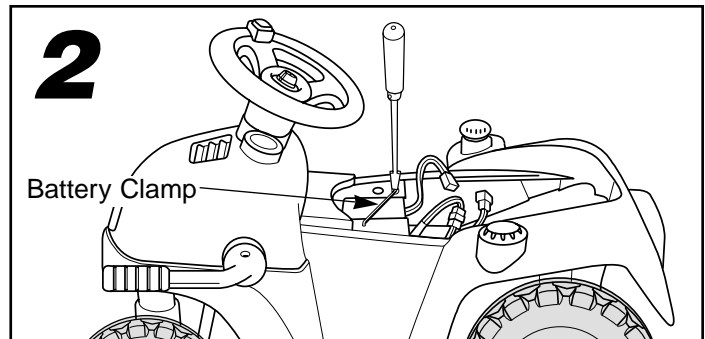
- Wash your hands before applying the labels.
- Before applying the labels, wipe the surface of the vehicle with a clean, dry cloth to remove any dust or oils.
- Place the labels exactly as shown in the illustrations.
- For best results, avoid repositioning a label once it has been applied to the vehicle.
- After applying a label, rub the label firmly with a clean, dry cloth to make sure the label is adhered to your vehicle. Start at the center of a label, and smooth towards the outer edges to remove air bubbles.



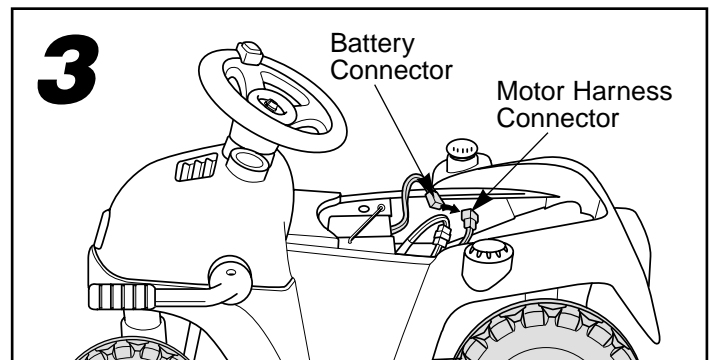
**IMPORTANT!** Use only a Power Wheels® 6 Volt (4.0 Amp/Hr.) battery with a Power Wheels® 25 Amp fuse installed. Use of any other battery or fuse will damage your vehicle. Make sure that you charge the battery for at least 18 hours using the enclosed Power Wheels 6 Volt (4.0 Amp/Hr.) charger before operating your vehicle for the first time. Charge the battery for at least 14 hours after each use of the vehicle. Never charge the battery longer than 30 hours. Failure to follow these instructions may damage your battery and will void your warranty.



- To unlock the lock fastener, use a slotted screwdriver to rotate the lock fastener  $\frac{1}{4}$  turn to the unlocked position .
- Lift the seat to remove it from the vehicle frame.



- Place the Power Wheels® 6 Volt (4.0 Amp/Hr.) battery upright in the battery compartment. Make sure the battery connector extends toward the rear of the vehicle.
  - Make sure a Power Wheels® 25 amp fuse, in good condition, is installed in the battery.
  - Fit one end of the battery clamp into the hole in the vehicle frame.
  - Insert the #8-18 x  $\frac{7}{8}$ " screw through the end of the battery clamp and into the vehicle body. Tighten the screw with a Phillips screwdriver. Do not over-tighten.



**IMPORTANT!** There are three electrical connections to be made on this product. All three electrical connections must be made in order for your product to function properly. Please follow these instructions carefully.

- Fit the battery connector into the motor harness connector. This is the third and last electrical connection.

**Notes:**

- If the battery connector will not plug into the motor harness connector, turn it over and try again! Do not force the battery connector into the motor harness connector.
- If the bubble blower immediately starts, you have not made all the electrical connections properly. Unplug the motor harness connector from the battery connector. This will turn off the bubble blower. Now, review Assembly step 11 (page 10) and Assembly step 20 (page 12) to properly make all electrical connections.
- Re-assemble the seat to the vehicle frame. (See assembly step 21 on page 13.)

**IMPORTANT!** Always remember to keep the lock fastener locked at all times to prevent children from accessing the battery.

# I

## Battery Care and Disposal

### Care

If a battery leak develops, avoid contact with the leaking acid and place the damaged battery in a plastic bag. See information below for proper disposal.

If acid comes in contact with skin or eyes, flush with cool water for at least 15 minutes and call a physician.

If acid is internally ingested, give water, milk of magnesia or egg whites immediately. Never give emetics or induce vomiting. Call a physician.

- Charge a new battery for at least 18 hours before first use. Never charge the battery longer than 30 hours. Overcharging or undercharging the battery may shorten battery life and decrease vehicle running time.
- After the first charge, recharge the battery for at least 14 hours after each use. Never charge the battery longer than 30 hours. Charge the battery after each use, regardless of how long the vehicle was used.
- The battery must be upright while charging.
- Do not allow the battery to run down completely before charging.
- Charge the battery before storing the vehicle.
- Charge the battery at least once per month, even if the vehicle has not been used.
- Leaving the battery in a discharged condition will ruin it.
- Always remove an exhausted battery from the vehicle. Battery leakage and corrosion can damage the vehicle.
- Do not store the battery on a surface which could be damaged by the acid contained inside the battery. Take precautions to protect the surface on which you store the battery.
- Do not store the battery in temperatures above 75° F or below -10° F.
- Prevent the battery from moving freely inside the battery compartment. **Always use the battery clamp to secure the battery in the battery compartment.**
- Examine the battery, charger and their connectors for excessive wear or damage each time you charge the battery. If damage is detected, do not use the charger or the battery until you have replaced the worn or damaged part.

## Battery Care and Disposal

### Disposal



- Your Power Wheels® battery is a sealed lead-acid battery. It must be recycled or disposed of in an environmentally sound manner.
- Do not dispose of a lead-acid battery in your regular, household trash. The incineration, landfilling or mixing of sealed lead-acid batteries with household trash is prohibited by law in most areas.
- Return exhausted batteries to a federal or state approved lead-acid battery recycler, such as a Power Wheels® authorized service center, or a local seller of automotive batteries. For the service center location nearest you, please call 1-800-348-0751. Contact your local waste management officials for other information regarding the environmentally sound collection, recycling and disposal of lead-acid batteries. If you live in the State of Florida or Minnesota, it is prohibited by law for anyone to throw away lead-acid batteries in the municipal waste stream.

# J

## Caring For Your Vehicle

- Check all screws, cap nuts and their protective coverings regularly and tighten as required. Check plastic parts on a regular basis for cracks or broken pieces.
- During snowy or rainy weather, the vehicle should be stored inside or under a protective cover. Remember to charge the battery at least once per month while your vehicle is not in regular use.
- Avoid operating the vehicle in wet or snowy conditions, and do not spray the vehicle with a hose. Do not wash the vehicle with soap and water. Water or moisture in the motors or electrical switches can cause them to corrode, and could cause switch or motor failure.
- Avoid operating the vehicle on sand, loose dirt or gravel. Sand, loose dirt or gravel in the motors or electrical switches can cause them to jam, and could cause switch or motor failure.
- The vehicle can be wiped with a soft, dry cloth. For a shiny finish, you can wipe plastic parts with a non-wax furniture polish applied to a soft-cloth. Do not use automotive wax. Do not use soap and water or spray the vehicle with a hose.
- To ensure that your vehicle stays in good operating order, we recommend that you periodically have your vehicle checked by a Power Wheels® authorized service center. See page 24 for the list of authorized service centers or call **1-800-348-0751** for the location of the authorized service center nearest you.



## RIDING HAZARD



### WARNING

#### Prevent Injuries and Deaths

- Direct Adult Supervision Required
- Keep Children Within Safe Riding Areas

These areas must be:

- away from swimming pools and other bodies of water to prevent drownings
- generally level to prevent tipovers
- away from steps, driveways, roads and alleys.

### Teach Safety Rules to Children

While children can quickly develop the skill necessary to drive this vehicle, it is important to remember that their judgment skills are still very immature. Unsupervised driving by children can lead to serious injury. Before children use this vehicle, an adult should carefully evaluate the driving area as well as the children's skill level and ability to drive this vehicle safely. Children are not always able to recognize or anticipate hazards, even when they have been taught about them. **THERE IS NO ACCEPTABLE SUBSTITUTE FOR DIRECT ADULT SUPERVISION.**

Teach appropriate safety rules to your child before allowing operation of this vehicle. These rules should also be reviewed with neighborhood children or other playmates who want to drive this vehicle.

### Riding Rules

**Make sure children know and follow these rules for safe driving:**

1. Always sit on the seat.
2. Always wear shoes.
3. Only 1 (one) rider at a time. A child who is not sitting on the seat or who is standing on the vehicle could fall off, cause a tip-over or block the driver's view. A child could be seriously injured.
4. Do not allow any child to drive the vehicle in the street or near moving (motorized) vehicles.
5. Do not allow any child to drive near bodies of water (such as pools or creeks), obstructions (such as furniture, low tree limbs or play equipment), or drop-offs (such as stairs or decks).
6. Do not allow any child to drive the vehicle in the dark. A child could encounter unexpected obstacles and have an accident. Operate the vehicle only in the daytime or a well-lit area.

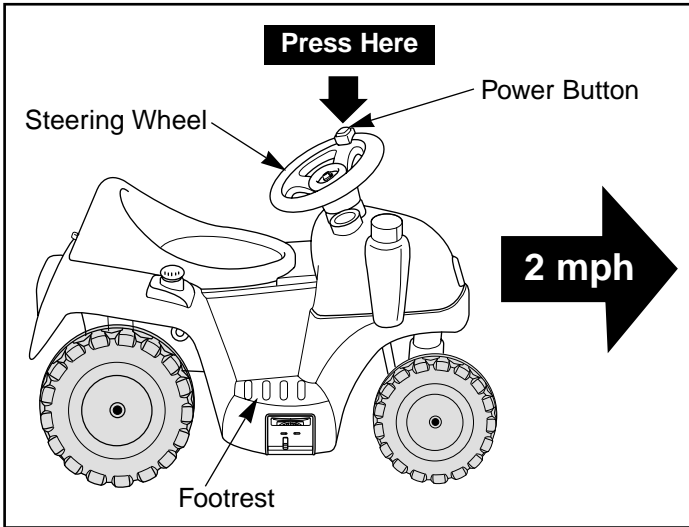


**Use vehicle on generally level ground ONLY!**

7. Do not allow your child to drive on sloped or inclined surfaces. **Restrict your child's driving to generally level ground ONLY!**
8. Do not allow your child to drive down or across a steep slope.
  - The vehicle may gain unsafe speed, even if the button is released to stop.
  - The vehicle may tilt and tip over.
  - The wheels could lose traction, causing the vehicle to slip.
9. Do not allow your child to drive up steep inclines. The motor may stop and the vehicle could roll backwards at an unsafe speed.
10. Never put anything near any moving parts. Rotating parts such as motors, gear boxes and wheels can snag fingers, hair, etc., causing serious injury. Do not allow operation of the vehicle when it is on its side or in an upside-down position.
11. Do not operate the vehicle near flammable vapors (gasoline, paint thinner, acetone, liquid wax, etc.). The vehicle's electrical switches, like most electrical switches, emit an internal spark when first turned on or turned off. The presence of flammable liquids or vapors could cause an explosion or a fire. Keep all flammable products in tightly sealed containers and away from the vehicle.
12. Do not allow a child to operate the vehicle without direct adult supervision. To prevent unsupervised use of the vehicle, disconnect the motor harness from the battery when the vehicle is not in use.

# L

## How to Operate Your Vehicle



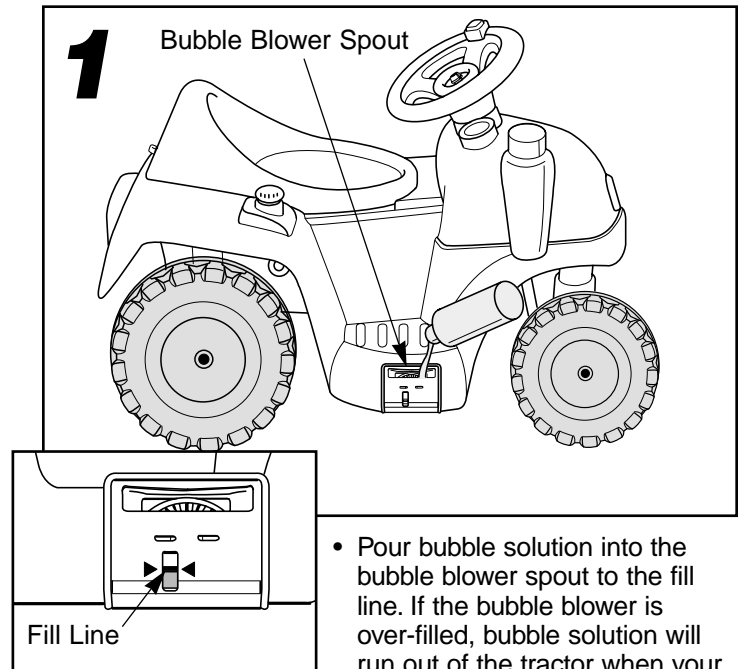
- Seat your child on the vehicle, with both hands on the steering wheel and both feet on the footrests.
- Press the power button on the steering wheel. The vehicle moves forward at a maximum of 2 mph.
- Release the power button and the vehicle stops.
- Help your child practice steering to learn how far and how quickly to turn the steering wheel.

# M

## Bubblin' Fun

### IMPORTANT!

- While filling and cleaning the bubble blower, try to avoid spilling bubble solution on the floor. It may create slippery floor conditions. Please watch for spills and use caution.
- Caution your child that bubble solution is not for drinking and that it should be kept away from the eyes.
- Since the Bubble Tractor™ resembles a lawn tractor, make sure your child rides it in a separate area, away from any real lawn tractor that is operating.



- Pour bubble solution into the bubble blower spout to the fill line. If the bubble blower is over-filled, bubble solution will run out of the tractor when your child is riding it.

# Bubblin' Fun

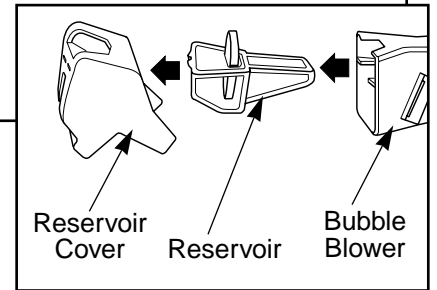
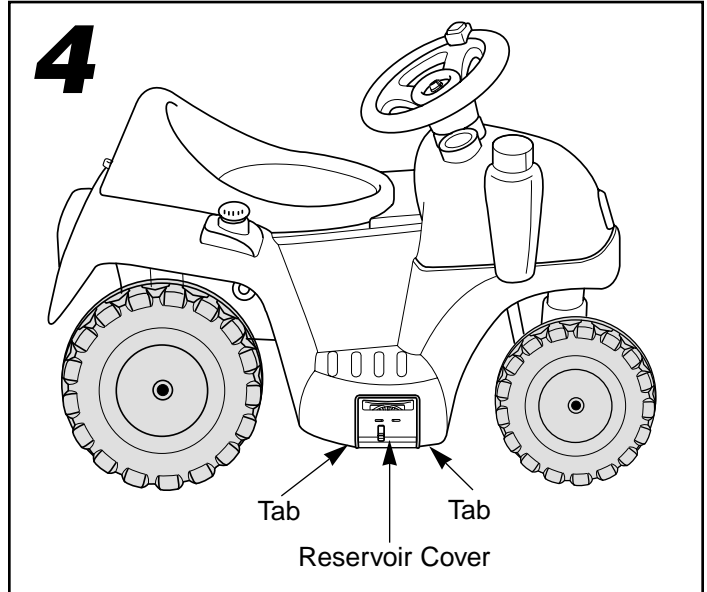


- You're now ready for lots of bubblin' fun!

**Hint:** The bubble blower operates only when the power button is pressed on the steering wheel.

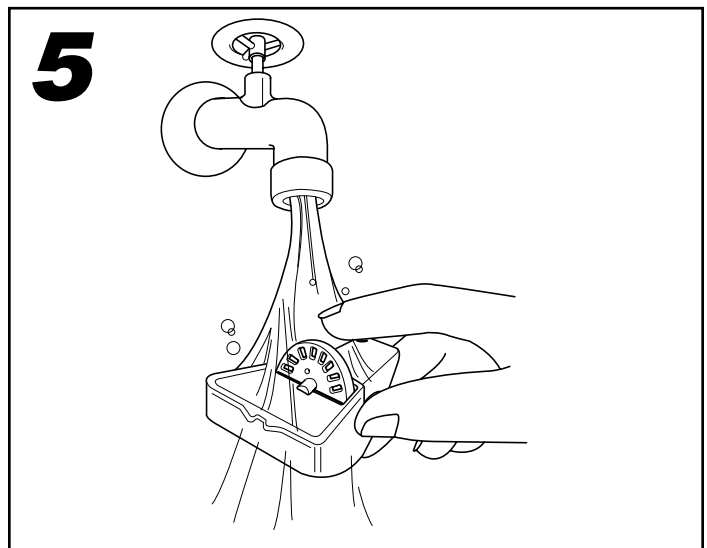


- Your child can also use the dipstick bubble wand to blow bubbles!



## Clean-Up

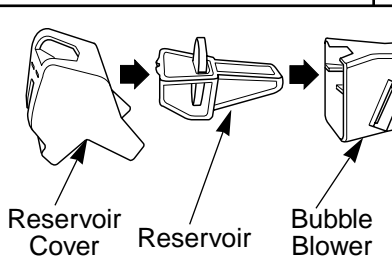
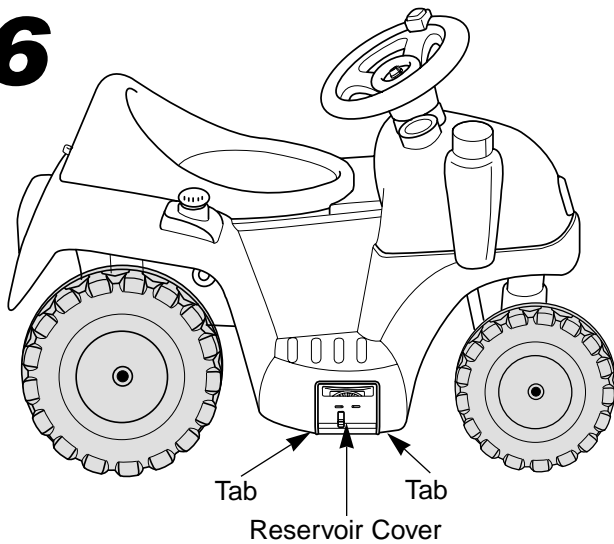
- Always clean the bubble blower before storing it or bringing it indoors.
- Reach under the right side of the vehicle and squeeze the two tabs on the reservoir cover.
- Pull the reservoir cover out to the right of the vehicle and remove it.
- Remove the reservoir from the bubble blower.



- Pour out any unused bubble solution.
- Rinse the reservoir thoroughly with clean water.

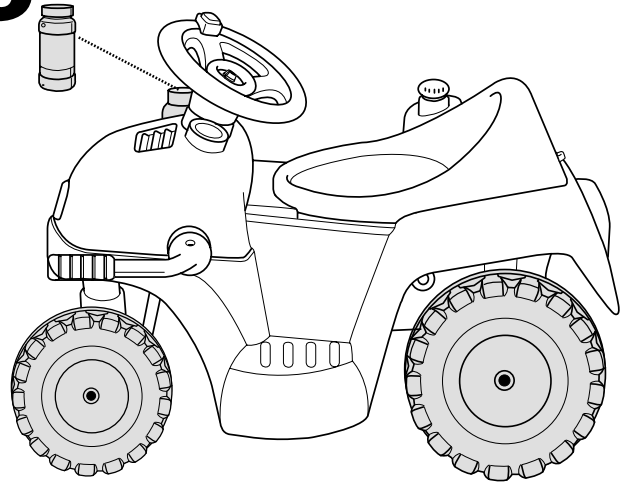
# Bubblin' Fun

## 6



- Replace the reservoir back into the bubble blower. Fit the reservoir cover over the reservoir. Align the tabs on the reservoir cover and snap them back into the bubble blower.
- To prevent leaking, be sure to allow the bubble blower to dry before bringing it indoors.

## 8

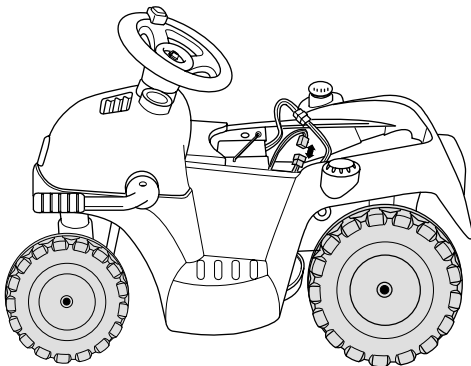


- Store bubble solution in the exhaust pipe.

### No Bubbles?

- Check the bubble solution level.
- Check to see if bubble blower fan is operating.
  - Remove the reservoir cover and reservoir (see page 19, step 4).
  - Using a slotted screwdriver, rotate the lock fastener  $\frac{1}{4}$  turn  $\ominus$  to the unlocked position. Lift the seat and remove it from the vehicle.
  - Locate the bubble blower connector and make sure it is connected securely.
  - Lift the rear wheels of the vehicle off of the ground by placing an object under the rear of the vehicle. Press the power button on the steering wheel and place your hand over the opening of the bubble blower. If you feel air coming from the blower, the fan is working properly.
- Discard used bubble solution and fill with fresh bubble solution.
- Dried bubble solution may cause the bubble wheel in the reservoir to stick and not function properly. Remove the reservoir from the bubble blower and clean (see page 19, steps 4 and 5). Pour warm water into the reservoir and fill completely. Let it soak until the bubble wheel moves freely.
- We do not recommend the use of silicones or oily lubricants on this product. As with any bubble producing toy, when even a very small amount of silicone or oily lubricants are put into, or used near the fluid chamber, bubbles will not form.

## 7



### Disconnecting the Bubble Blower

- The bubble blower can be disconnected and still allow your child to operate the vehicle. This is recommended for indoor use.
- To unlock the lock fastener, use a slotted screwdriver to rotate the lock fastener  $\frac{1}{4}$  turn  $\ominus$  to the unlocked position. Lift the seat and remove it from the vehicle.
- Locate the bubble blower connector and unplug it from the motor harness connector.
- Replace the seat to the vehicle.
- To lock the lock fastener, use a slotted screwdriver to rotate the lock fastener  $\frac{1}{4}$  turn  $\oplus$  to the locked position.

# N

## Problems and Solutions Guide

**IMPORTANT!** If you experience a problem with your vehicle, first check the Problems and Solutions Guide below. If you still experience a problem, please contact Power Wheels® Consumer Relations, toll-free at **1-800-348-0751** between 8 AM and 6 PM (EST) Monday through Friday. Or, contact your local Power Wheels® authorized service center. For the location nearest you, please refer to the Authorized Service Center list beginning on page 24.

Problem	Possible Cause	Solution
Vehicle does not run	Undercharged battery	Charge the battery. A new battery should have been charged for at least 18 hours before using the vehicle for the first time. After first-time use, recharge the battery for at least 14 hours after each use. Never charge the battery longer than 30 hours.
		Check all connectors. Make sure the battery connector is tightly plugged into the charger connector, and that the charger is plugged into the wall.
		Make sure power flow to the wall outlet is "ON".
	Charger is not working	There is no sure way to tell if your charger is working unless you have a volt meter. If you suspect there is a problem with your charger, contact your local Power Wheels® authorized service center. They can test your charger for you.
	Wrong type or improperly installed fuse	Make sure that the battery has a properly installed Power Wheels® 25 amp fuse before charging. Do not substitute parts.
	Blown fuse	Make sure that the fuse in the battery is in good condition. Replace a blown fuse with a Power Wheels® 25 amp fuse. Do not substitute parts.
	Loose wire or loose connectors	Check all wires and connectors. Make sure the battery connector is tightly plugged into the motor harness connector, and that there are no loose wires around the motor.
	Dead battery	If your battery is old or if you have not followed Battery Care instructions, your battery may be dead. If you are unsure whether or not the battery is dead, you can have it tested at your local Power Wheels® Authorized Service Center.
Vehicle was running but suddenly stopped	Electrical switch damage	The electrical switches can become corroded due to exposure to water or moisture, or can jam due to loose dirt, sand or gravel. Contact your local Power Wheels® Authorized Service Center for diagnosis and repair.
	Motor damage	Contact your local Power Wheels® Authorized Service Center for diagnosis and repair.
	Loose wire or loose connectors	Check all wires and connectors. Make sure the battery connector is tightly plugged into the motor harness connector, and that there are no loose wires around the motor.
	Wrong type or improperly installed fuse	Make sure that the battery has a properly installed Power Wheels® 25 amp fuse installed before charging. Do not substitute parts.
	Blown fuse	Make sure that the fuse in the battery is in good condition. Replace a blown fuse with a Power Wheels® 25 amp fuse. Do not substitute parts.

# Problems and Solutions Guide

Problem	Possible Cause	Solution
Vehicle was running but suddenly stopped (cont.)	Vehicle is overloaded	Make sure you do not overload the vehicle by allowing more than 1 rider at one time, by exceeding the 40 lbs. (18 kg) maximum weight capacity, or by towing objects behind the vehicle.
	Driving conditions are too stressful	Use only on generally level ground. Extreme temperatures can also affect run time.
Short run time	Undercharged battery	Charge the battery. A new battery should have been charged for at least 18 hours before using the vehicle for the first time. After first-time use, recharge the battery for at least 14 hours after each use. Never charge the battery longer than 30 hours.
		Check all wires and connectors. Make sure the battery connector is tightly plugged into the charger connector, and that the charger is plugged into the wall.
		Make sure power flow to the wall outlet is "ON".
	Overcharged battery	Do not charge the battery longer than 30 hours. If you suspect that your battery is damaged as a result of overcharging, contact your local Power Wheels® Authorized Service Center. They can test your battery for you.
	Battery is old and will not accept full charge	Even with proper care, a rechargeable battery does not last forever. Average battery life is 1 to 3 years depending on vehicle use and use conditions. Do not substitute parts.
	Wrong type or improperly installed fuse	Make sure that the battery has a properly installed Power Wheels® 25 amp fuse before charging. Do not substitute parts.
	Driving conditions are too stressful	Use only on generally level ground. Extreme temperatures can also affect run time.
Vehicle runs sluggishly	Undercharged battery	Charge the battery. A new battery should have been charged for at least 18 hours before using the vehicle for the first time. After first-time use, recharge the battery for at least 14 hours after each use. Never charge the battery longer than 30 hours.
		Check all connectors. Make sure the battery connector is tightly plugged into the charger connector, and that the charger is plugged into the wall.
		Make sure power flow to the wall outlet is "ON".
	Battery needs charging	After approximately 3 hours of constant use, the battery needs charging.
	Wrong type or improperly installed fuse	Make sure that the battery has a properly installed Power Wheels® 25 amp fuse installed before charging. Do not substitute parts.
	Battery is old and will not accept full charge	Even with proper care, a rechargeable battery does not last forever. Average battery life is 1 to 3 years depending on the vehicle use and use conditions. Replace the battery with a Power Wheels® 6 Volt (4 Amp/hr.) battery. Do not substitute parts.
	Vehicle is overloaded	Make sure you do not overload the vehicle by allowing more than 1 rider at one time, exceeding the 40 lbs. (18 kg) maximum weight capacity, or by towing objects behind the vehicle.
	Driving conditions are too stressful	Use only on generally level ground. Extreme temperatures can also affect run time.

# Problems and Solutions Guide

Problem	Possible Cause	Solution
Sometimes the vehicle doesn't run, but other times it does	Loose wire or connector	Check all wires around the motor and all connectors to make sure they are tight.
	Motor or electrical switch damage	Contact your local Power Wheels® Authorized Service Center for diagnosis and repair.
When the steering wheel button is pressed, the vehicle won't run without a push	Loose wire or connector	Check all wires around the motor and all connectors to make sure they are tight.
	"Dead Spot" on motor	Contact your local Power Wheels® Authorized Service Center for diagnosis and repair.
Vehicle constantly blows fuses	Wrong type of fuse used	Your vehicle requires a Power Wheels® 25 Amp fuse in the battery. Make sure the Power Wheels® 25 Amp fuse is properly installed in the battery. Do not substitute parts.
Loud clacking or grinding noise from motor-gearbox	Broken gears	Contact your local Power Wheels® Authorized Service Center for diagnosis and repair.
Charger gets warm during use	It is normal for some chargers to get warm during use and is not reason for concern. Some chargers do not get warm during use.	No action required.
		If your charger does not get warm during use, it does not mean that it is not working properly.
Battery makes a sizzling or gurgling noise when charging	It is normal for some batteries to make noise and swell slightly while charging and is not reason for concern. Some batteries do not make noise or swell while charging.	No action required.
		If your battery does not make noise or swell slightly during charging, it does not mean that it is not accepting the charge.
Bubble blower constantly runs, even when vehicle is stopped	Electrical connection is not correct	Remove the seat from the vehicle. Unplug the motor harness connector from the battery connector. The bubble blower should turn off. Now, review and follow the instructions in Assembly step 11 (page 10) and Assembly step 20 (page 12) to properly make all electrical connections.

If, after reviewing the Problems and Solutions Guide, the vehicle still fails to operate, please contact your nearest Authorized Service Center (see page 25) or contact Power Wheels® Consumer Relations toll-free at **1-800-348-0751**.

**Hint:** For faster service when calling Consumer Relations, completely charge the battery before calling and have the following available by the phone:

- vehicle,
- vehicle model number (see sticker on underside of vehicle body),
- vehicle production run number (see sticker on underside of vehicle body),
- Phillips screwdriver, slotted screwdriver and needle-nose pliers with plastic or rubber handles,
- an extra Power Wheels® 25 amp fuse is helpful.

# O

## Bumper-to-Bumper\* Limited Warranty

**\*One year limited warranty from the date of purchase on the Power Wheels® vehicle.**

**Six month limited warranty on 6 volt battery.**

For the original purchaser, this one year limited warranty covers the Power Wheels® ride-on vehicle (purchased from Power Wheels®) against defects in materials and work-manship. The six month limited warranty applies only to the 6 volt battery included by Power Wheels® with the original purchase of the vehicle.

This warranty covers normal use and does not cover the Power Wheels® vehicle or battery if it has been damaged by unreasonable use, neglect, accident, abuse, misuse, improper service or other causes not arising out of defects in materials or workmanship. Evidence of any attempt at consumer repair will void this warranty.

**THIS WARRANTY DOES NOT COVER, AND IS INTENDED TO EXCLUDE, ANY LIABILITY ON THE PART OF POWER WHEELS®, WHETHER UNDER THIS WARRANTY OR IMPLIED BY LAW, FOR ANY INDIRECT OR CONSEQUENTIAL DAMAGES FOR BREACH OF WARRANTY. SOME STATES DO NOT ALLOW THE EXCLUSION OR LIMITATION, SO THIS LIMITATION MAY NOT APPLY TO YOU.**

Should you need service or assistance with your vehicle during the warranty period, **do not return the vehicle to the store.** Power Wheels® has provided a nationwide network of authorized service centers. Please refer to the list in this manual. Power Wheels® is continually expanding our Authorized Service Center Network. If there is not an authorized service center in your area, please call Consumer Relations for information, **1-800-348-0751.**

THIS WARRANTY GIVES YOU SPECIFIC LEGAL RIGHTS, AND YOU MAY ALSO HAVE OTHER RIGHTS WHICH MAY VARY FROM STATE TO STATE.

**PLEASE SAVE YOUR ORIGINAL SALES RECEIPT.**

# P

## Authorized Service Centers

**We are continually expanding our Authorized Service Center Network. Please check this listing for the Authorized Service Center nearest you. If there is not one in your area, please call Power Wheels® Consumer Relations at 1-800-348-0751.**

### ALABAMA

**BIRMINGHAM** - Frigid Service & Sales, 701 Graymont Ave. North, 35203, (205) 323-5831

**BIRMINGHAM** - Frigid Service & Sales, 1861 Centerpoint Rd., 35215, (205) 853-3952

**BIRMINGHAM (HOMEWOOD)** - Frigid Appliance Center, 154 West Valley Ave., 35209, (205) 942-3959

**DECATUR** - Peddler II, 1000 B Beltline Road, 35603, (205) 350-1044

**DOTHAN** - Bill's Appliance Service, 208 Bic Road, P.O. Box 1192, 36303, (334) 792-7746

**DOUGLAS** - Brown Hardware, Highway 75, 35964, (205) 593-6086

**HUNTSVILLE** - C & G Appliance, 307 Jordan Lane, 35805, (205) 837-4551

**MOBILE** - Foster's Appliance Repair, 1660 South Beltline Highway, 36693, (334) 666-2670

**NORTHPORT** - Appliance Connection, 2703 McFarland Blvd, 35476, (205) 339-2774

**TROY** - Specialty Batteries, 1317 S. Brundidge St., P.O. Box 1045, 36081, (334) 670-6800, (800) 477-8230

### ALASKA

**ANCHORAGE** - Ken's Electronics Service, 360 E. International, Ste. 8, 99518, (907) 562-3443

**FAIRBANKS** - Appliance Service Co. Inc., 700 23rd Ave., 99701, (907) 452-1000

### ARIZONA

**COTTONWOOD** - Blackhills Auto Electric, 951 Blackhills Dr. Suite D, 86326, (520) 634-4159

**GLENDALE** - Elliott Electric Appliance Service, 6242 N. 43rd Avenue, 85301, (623) 937-2613

**SCOTTSDALE** - Elliott Electric, 7515 E. McDowell Road, 85257, (480) 946-7487

**TUCSON** - Arizona Small Appliance Service Co., 5033 E 5th Street, 85711, (520) 325-3988

### ARKANSAS

**FT. SMITH** - Bromley Appliance Service, 614 North 10th Street, 72901, (501) 782-9646

**GLENWOOD** - Gardening Plus, 110 North 2nd Street, 71943, (870) 356-2233

**JONESBORO** - Best Sewing & Vacuum & Repair, 2235 S. Caraway Road, 72401, (501) 935-4739, (800) 844-4739

**LITTLE ROCK** - C & W Tool Repair, 1303 W. Markham, 72201, (501) 374-1911

**ROGERS** - Kressel's Vacuum & Repair, 115 North 5th Street, 72756, (501) 636-7894

**STUTTGART** - Davis Lumber Company, 301 East Michigan, 72160, (501) 673-3601

### CALIFORNIA

**ANDERSON** - Hardware Express/Do It Best, 2681 Balls Ferry Road, 96007, (916) 365-3783

**BAKERSFIELD** - Southwest TV, 6300 White Lane, Suite B, 93309, (805) 397-4940

**CONCORD** - California Electric Service Center, 1170-G Burnett Avenue, 94520, (510) 827-1011

**COVINA** - California Electric Service Center, 612 Shoppers Lane, 91723, (818) 915-4935

**FORT JONES** - Ft. Jones Frontier Hardware, 11911 Main Street, 96032, (916) 468-2266

**FRESNO** - Valley Small Appliance, 4005 E. Ashlan Avenue, 93726, (209) 224-5530

**FULLERTON** - California Electric Service Center, 1208 E. Ash Avenue, 92631-5020, (714) 870-0900

**LAKE FOREST** - California Electric Service, 22500 Muirlands Suite B, 92630, (949) 586-9440

**LOS ALAMITOS** - California Electric Service Center, 11284 Los Alamitos Blvd., 90720, (562) 430-2668

**OAKLAND** - California Electric Service Center, 1139 E. 12th Street, 94606, (510) 834-1050

**PASADENA** - California Electric Service Center, 2594 E. Colorado Blvd., 91107, (818) 792-3194

**SACRAMENTO** - California Electric Service Center, 1821 "Q" Street, 95814, (916) 443-5711

**SALINAS** - SRS Hobbies, 1038A North Davis Road, 93907, (831) 424-4044, (800) 414-4547

**SAN DIEGO** - California Electric Service Center, 3430 El Cajon Blvd., 92104, (619) 283-6488

**SAN JOSE** - California Electric Service Center, 481 So. Bascom, 95126, (408) 295-1723

**SANTA ROSA** - Hardisty's Inc., 710 Farmers Lane, 95405, (707) 545-0535

**SKY FOREST** - Sky Forest Electrical, 28670 Highway 18 P.O. Box 496, 92385, (909) 337-0811

**TEMECULA** - California Electric Service Center, 41715 Enterprise Circle North, Suite 101, 92590, (909) 296-0205

**VAN NUYS** - California Electric Service Center, 14753 Oxnard Blvd., 91411, (818) 997-8855

**WEST LOS ANGELES** - California Electric Service Center, 2314 S. Westwood Blvd., 90064, (310) 475-2532

**YUCAIPA** - Aire-Rite Heating & A/C, 34724 Yucaipa Blvd., 92399, (909) 797-2788

### COLORADO

**COLORADO SPRINGS** - Nelson Appliance Repair, Inc., 1220 E. Fillmore, 80907, (719) 635-1928, (800) 291-8010

**DENVER** - Appliance Service, 4272 Lowell Blvd., 80211, (303) 458-1109, (800) 631-0941 (CO, WY only)

**GRAND JUNCTION** - V & L Appliance Service, 591 25 Road Suite A6, 81506, (970) 243-3360



# Authorized Service Centers

**PUEBLO** - Direct Maytag Home Appliance,  
1407 Santa Fe Drive, 81006, (719) 543-0777

## CONNECTICUT

**HARTFORD** - Hartford Element & Appliance Service,  
1500 Albany Ave., 06112, (860) 246-7424,  
(800) 787-7977

**NEW HAVEN (HAMDEN)** - New Haven Appliance Service  
Center, 1627 Dixwell Ave., 06514,  
(203) 288-6229

**SHELTON** - Jeff's Appliance, Inc., 500A Howe Avenue,  
06484, (203) 924-8997

**STAMFORD** - Appliance Servicenter of Stamford,  
15 Cedar Heights Road, 06905, (203) 322-7656

**WATERBURY** - P.J. Appliance Repair, 935 South Main  
Street, 06706, (203) 757-1014

## DELAWARE

**WILMINGTON** - Lyons Hardware, Inc., 2021 Kirkwood  
Highway, 19805, (302) 995-1260

## FLORIDA

**ATLANTIC BEACH** - First Coast Repair, 25 Seminole  
Road, 32233, (904) 246-4616

**BOYNTON BEACH** - Mister FixIt Small Appliance, 1865  
W. Woolbright Road, 33425, (561) 243-9999

**CALLAHAN** - Arc Electronic Repair, 951 Blackhills Dr.  
Suite D, 32011, (904) 879-3556

**CAPE CORAL** - Family Hardware/Do-It Express,  
622 SE 47th Terrace, 33904, (941) 542-6365

**DELRAY** - Mister Fix It, 209 S.E. 2nd Avenue, 33483,  
(561) 243-9999

**GAINESVILLE** - Authorized Appliance Service Co.,  
2614 S.W. 34th Street, 32608, (352) 375-3886

**HIALEAH** - S-O Service Co., 925 Hialeah Drive, 33010,  
(305) 887-6275

**HOMESTEAD** - C. M. S., Inc., 1996 N. E. Campbell  
Drive, 33033, (305) 247-9700

**JACKSONVILLE** - Authorized Appliance Service Co.,  
6120-5 Powers Avenue, 32217, (904) 737-5312

**LAKECITY** - S&S Mowers Inc., RT. 10 Box 35916,  
32025, (904) 755-2957

**LAKELAND** - Electric Shaver & Small Appliance,  
4243 S. Florida Avenue, 33813, (863) 644-4690

**MIAMI** - Goodman's Sales & Service, 13130 SW 128  
Street # 3, 33186, (305) 278-8822

**NORTH PALM BEACH** - Appliance Doctors,  
450 Northlake Blvd., 33408, (407) 845-0377

**OCALA** - Vacuums Center and Gifts, 422 South Pine  
Street, #103, 34474, (352) 732-6335

**ORLANDO** - Pine Hills Appliance Svc. Co.,  
6100-4 W. Colonial Drive, 32808, (407) 299-1271

**ORLANDO** - Southern Electric Co., 510 N. Parramore  
Avenue, 32801, (407) 841-8824, (800) 940-8824

**PANAMA CITY** - Callaway Vacuum & Sewing,  
221 N. Tyndall Prkwy., 32404, (904) 763-6333

**PENSACOLA** - Foster's Appliance Repair,  
3836 N. Davis Highway, 32503, (904) 432-8853

**POMPANO BEACH** - Authorized Appliance Service Co.,  
2171 N. Dixie Highway, 33060, (954) 941-2038

**PORT ST. LUCIE** - Appliance Doctors, 10632 South  
Federal Hwy, 34952, (561) 878-7869

**SARASOTA** - Sunray Small Appliances,  
8371 N. Tamiami, 34243, (941) 358-9999,  
(800) 895-5655

**SEBRING** - Ace Hardware Of Sebring, 305 U.S. 27  
North, 33870, (863) 385-2785

**SPRING HILL** - Ace Hardware #5304F,  
5350 Spring Hill Dr., 34606, (352) 686-4743

**SPRING HILL** - National Floor Care,  
5588 Commercial Way, 34606, (352) 686-6711,  
(800) 245-1946

**ST. PETERSBURG** - Keystone Electric, 4604 Central  
Avenue, 33711, (813) 321-1124

**STUART** - Appliance Doctors, 3166 S.E. Dixie Highway,  
34997, (561) 287-6437

**SUNRISE** - Muller Appliance Service, 2116 North  
University Drive, 33322, (954) 749-5460

**VERO BEACH** - Hoppe's Authorized Vacuum and  
Appliance, 1872 Commerce Ave., 32960,  
(561) 562-4466

**WEST PALM BEACH** - Satisfaction TV Video,  
1980 South Congress Ave., 33406, (561) 439-3733, (800)  
477-3734

**WILLISTON** - Future Electronics, 10 SW 7th Street,  
32696, (352) 528-5599, (800) 416-1114

## GEORGIA

**ATLANTA** - Georgia Service Center, 5366 Buford Hwy.,  
30340, (770) 455-1716, (800) 455-1715

**AUGUSTA** - A & A Appliance Parts & Service,  
1708 Walton Way, 30904, (706) 733-5163

**BRUNSWICK** - Arco Hardware & Supply,  
3711 Community Road, 31520, (912) 267-0771

**COLUMBUS** - Burrell's National Appliance Service,  
1728 Warm Springs Road, 31904, (706) 327-0523

**NORCROSS** - Appliance Connection,  
5172-C Brook Hollow Parkway, 30071, (770) 734-9888,  
(800) 964-7455

**GAINESVILLE** - Bike Town USA, 1604 Dawsonville  
Highway, 30501, (770) 532-7090

**LOGANVILLE** - Loganville Lawn Mower,  
157 C. S. Floyd Road, 30052, (770) 466-9111

**SAVANNAH** - Hagins Appliance Service,  
3 West Victory Drive, 31405, (912) 233-8372

**THOMASVILLE** - Carroll Hill Auto,  
115 Albany Road, 31799, (912) 266-0717

**VALDOSTA** - Harry B. Anderson, Inc.,  
204 E. Central Avenue, 31601, (912) 242-5945

**WOODSTOCK** - All City Appliance Inc.,  
8477 Highway 92 Suite 110, 30189, (770) 924-2375

## HAWAII

**HONOLULU** - McCully Bicycle & Sporting Goods,  
932 Hausten Street, 96826, (808) 946-1192

**WAILUKU (MAUI)** - Tom's Appliance Sales & Service,  
1816 Mill Street, Suite 104, 96793, (808) 244-6278

**WAIPAHU** - Gary's Bike World, 94-910 Moloalo Street,  
96797, (808) 375-4262

## IDAHO

**BOISE** - Boise Appliance, 1503 Main Street, 83702,  
(208) 343-0102

**IDAHO FALLS** - Rossiter Electric, 1501 South Capital  
Avenue, 83402, (208) 529-3665

## ILLINOIS

**CHAMPAIGN** - Appliance Parts & Service Center,  
905 Francois, 61821, (217) 355-0220

**CHICAGO (BERWYN)** - Brand Service Center,  
6739 West Cermak, 60402, (708) 749-4315

**CHICAGO (DOWNER'S GROVE)** - Authorized  
Appliance Service Co., 1644 W. Ogden Avenue, 60515,  
(630) 852-1550

**CHICAGO (MORTON GROVE)** - Brand Service Center,  
Inc., 5618 Dempster Street, 60053, (847) 965-5900

**DECATUR** - Rexx Battery of Decatur, Inc.,  
1330 East Eldorado, 62521, (217) 422-0281

**FAIRVIEW HEIGHTS** - Rapid Rentals, 720 Lincoln  
Highway, 62087, (618) 632-0630

**GRANITE** - Midwest Golf Car & Equipment Co,  
904 Thorngate Road, 62040, (618) 797-2278

**HAMILTON** - Discount Battery Sales, #80 S 2nd Rte.  
136, 62341, (217) 847-3242

**JACKSONVILLE** - Rexx Battery Specialists,  
847 South Main Street, 62650, (217) 245-2713

**LINCOLN** - Rexx Battery Specialists, 504 Keokuk,  
62656, (217) 732-2885

**LOVES PARK** - Hi-Tech Controls Inc., 2198 Nimitz  
Road, 61111, (815) 637-4015

**MT. VERNON** - Battery Specialists, 1018 South 10th  
Street, 62864, (618) 244-0091

**NASHVILLE** - Kesel Hardware, 173 West St. Louis,  
62263, (618) 327-8957

**NILES** - Household Appliance Sales & Serv.,  
7411 N. Milwaukee Ave., 60714, (847) 647-8250

**SPRINGFIELD** - Bannon Electronics, 1224 N. Franklin,  
62702, (217) 523-0313

**TAYLORVILLE** - Battery Specialists + Golf Cars,  
800 Springfield Road, 62568, (217) 824-3943

## INDIANA

**EVANSVILLE** - Electro Hygiene Co., 1614 S Kentucky,  
47714, (812) 425-2671

**FT. WAYNE** - HWI Hardware & Paint, 6043 Stellhorn  
Road, 46815, (219) 485-8861

**FT. WAYNE** - Southside Vacuum Co. Inc.,  
3702 South Calhoun Street, 46807, (219) 745-7788,  
(888) 209-8113

**INDIANAPOLIS** - Brand Service Center,  
1827 N. Meridian Street, 46202, (317) 924-1386

**INDIANAPOLIS** - Sullivan Hardware Do-It Center,  
7021 N. Keystone, 46220, (317) 255-9230

**NEW ALBANY** - Wells Hardware, Inc., 1011 Vincennes  
Street, 47150, (812) 944-4523

**SOUTH BEND** - Ray's TV and Appliance, 60717 US 31  
South, 46614, (219) 291-1630

**SOUTH BEND (OSCEOLA)** - AAA Appliance Service  
Co., 11868 Lincoln Way West, 46561, (219) 679-4981

**TERRE HAUTE** - Corey Electronics, 1101 S. 8th Street,  
47802, (812) 232-8786, (888) 232-8786

## IOWA

**BETTENDORF** - K & K True Value Hardware,  
1818 Grant Street, 52722, (319) 359-4473

**CEDAR RAPIDS** - Stalker Electric, Inc., 110 3rd Ave.  
SW, 52404, (319) 364-5646

**COUNCIL BLUFFS** - Millard Television Inc.,  
1840 Madison Avenue, 51501, (712) 322-9552

**DES MOINES** - Quality Appliance Repair Center,  
1417 Walnut Street, 50309, (515) 288-0108

**DUBUQUE** - Shaver's Plus, 450 Central Avenue, 52001,  
(319) 556-4442

**FT DODGE** - Messerly Electronics, 614 1st Avenue  
South, 50501, (515) 576-4480

**GRINNELL** - Bikes To You Inc., 921 Broad Street,  
50112, (515) 236-8600

**MARSHALLTOWN** - Blink Electric Motors, Inc.,  
Rear 116 N 1st Avenue, 50158, (515) 752-3036

**NORTH LIBERTY** - Ace Electric, Inc., 165 Hwy 965 NE,  
52317, (319) 626-3007, (800) 326-3007

**SIoux CITY** - Millard Television Inc., 1419 Hamilton  
Blvd., 51103, (712) 258-3435

## KANSAS

**CHANUTE** - Zimmerman Electric Service,  
1202 West Beech, P.O. Box 533, 67720,  
(316) 431-2260, (800) 362-0909

**COLBY** - Gavon's Electronics, 1870 South Range,  
67701, (913) 462-6601

**JUNCTION CITY** - R/C Hobbies, 115 W. 7th Street,  
66441, (913) 238-1877

**KANSAS CITY (OVERLAND PARK)** - Mar-Beck  
Appliance Service Co., 8471 West 95th Street, 66212,  
(913) 642-1557

**SPEARVILLE** - Quality Parts, P.O. Box 126,  
406 North Main, 67876, (316) 385-2624

**WICHITA** - Alan Appliance Service, Inc.,  
1300 E. Central, 67214, (316) 262-7228,  
(800) 290-7228

## KENTUCKY

**GREENVILLE** - Malone Lumber Do-It Center,  
204 W. Depot Street, 42345, (270) 338-3252

**LEXINGTON** - AutoHobby Model Raceway,  
1474 Anniston Drive, 40505, (859) 299-4925

**LOUISVILLE** - Maury's Fluorescent & Appliance  
Service, 1521 Bardstow Road, 40205, (502) 456-1671

**OWENSBORO** - Kuester's Hardware, 1210 Carter  
Road, 42301, (270) 685-4916

**PADUCAH** - Hank Brothers True Value, 3101 Lone Oak  
Rd., 42003, (270) 554-4001

## LOUISIANA

**BAKER** - Gayle Battery Distributors, 16555 Plank Road,  
70714, (225) 774-7475

**BATON ROUGE** - Home Appliance Service, Inc.,  
10781 Florida Blvd., 70815, (504) 272-7727

**HAMMOND** - Battery Depot, 2323 Hwy 190 East  
Suite #4, 70401, (504) 542-4983

**LAFAYETTE** - Cullen's Playland, 4498 Johnston Street,  
70503, (337) 981-2929

**LAKE CHARLES** - Capitol Schwinn Cyclery,  
722 E. Prien Lake Road, 70605, (337) 474-9090

**NEW IBERIA** - Voorhies Supply Company,  
401 W. St. Peter Street, 70560, (337) 364-2431

**NEW ORLEANS (METAIRIE)** - Le Jouet, Inc.,  
1700 Airline Hwy., 70001, (504) 837-0533

**SHREVEPORT** - Shreveport Shaver and Appliance,  
9750 St. Vincent, Burt Kouns Ind. Loop, 71106,  
(318) 865-5088, (800) 349-7722

## MAINE

**GREENE** - Brule's Auto Clinic & Sales, 968 Sawyer  
Road, 04236, (207) 375-4872

**PERU** - Mountain Valley Sports, 58 Ridge Road, 04290,  
(207) 562-7164

**PORTLAND** - Colonial Electronics, Inc., 259 St. John  
Street, 04102, (207) 774-6666

## MARYLAND

**ABERDEEN** - Burkheimer Garden Equipment,  
651 Gilbert Road, 21001, (410) 734-4577

**BALTIMORE** - Colgate Hardware, 6711 Holabird Ave.,  
21222, (410) 633-6363

**BERLIN** - Myers Auto-Power Tool Rental Co., Inc.,  
10714 Ocean Gateway, 21811, (410) 641-3497

**GAITHERSBURG** - Waters Appliance Service,

# Authorized Service Centers

216 E. Diamond Avenue, 20877, (301) 258-7500,  
(800) 225-5009

**GLEN BURNIE** - Taylor Rental, 7389 Baltimore  
Annapolis Blvd., 21061, (410) 768-1933, (800) 836-8464

**LOVEVILLE** - Hancock Refrigeration Co Inc., 28650  
Point Lookout Rd, 20656, (301) 475-8798

## MASSACHUSETTS

**BOSTON (MEDFIELD)** - Wills Hardware,  
5 Janes Avenue, 02052, (508) 359-4381

**LOWELL** - Lowell Appliance Service Center, Inc.,  
564 Dutton Street, 01854, (508) 454-8731

**MAYNARD** - Gramp's Garage, 16 Main Street, 01754,  
(508) 461-0463

**NEEDHAM** - Suburban Appliance Service Center,  
34 Wexford Street, 02492, (781) 449-8787

**QUINCY** - Appliance Service and Parts, Inc.,  
582 Wash-ington Street, Rt. 3A, 02169, (617) 773-6656

**SALEM** - Fix Master, Inc., 190 North Street, 01970,  
(508) 745-0004

**SPRINGFIELD** - Utility Electric Service, Inc.,  
810 Main Street, 01101, (413) 781-1635

## MICHIGAN

**ALMA** - JTS Electronics, LLC, 306 East Center Street,  
48801, (517) 463-5871

**ALMONT** - Almont Do It Center #5336, 4545 Vandyke,  
48003, (810) 798-8922

**BAY CITY** - Bay Vac & Pedal, 805 Columbus Ave.,  
48708, (517) 892-7516

**BRIGHTON** - Complete Battery Source, 8023 W. Grand  
River, 48116, (810) 220-1050

**DEARBORN** - McNichols Electric Service,  
1836 Grindley Park, 48124, (313) 563-7550

**DETROIT** - McNichols Electric Service,  
13725 W. McNichols, 48235, (313) 342-6070,  
(800) 562-4226

**DETROIT (ROYAL OAK)** - McNichols Electric Service,  
4115 West 13 Mile Road, 48072, (810) 288-5135

**FLINT (DAVISON)** - Gill-Roy's Hardware,  
8405 E Davison, 48423, (810) 653-2288

**FLINT (SWARTZ CREEK)** - Gill-Roy's Hardware,  
9061 Miller Road, 48473, (810) 635-2020

**GAYLORD** - Alpine Electronics, 604 West Main, 49735,  
(517) 732-5004, (800) 244-6633

**GRAND RAPIDS** - Superior Appliance Service Co.,  
1050 Scribner Avenue, NW, 49504, (616) 459-3271

**JACKSON** - Hammond Hardware, 1800 Francis St.,  
P.O. Box 7, 49204, (517) 782-0704

**LANSING** - Rapid Appliance Service, Inc.,  
1454 E. Michigan Avenue, 48912, (517) 485-1320

**MARLETTE** - Thumb Appliance and Retail Center,  
3441 Main Street, 49684, (517) 635-7848

**MIDLAND** - Gill-Roy's Complete Hardware,  
3128 Jefferson Ave., 48640, (517) 832-2774

**PRUDENVILLE** - Ford's Do-It Center, 841 W. Houghton  
Lake Drive, 48651, (517) 366-7622

**ROYAL OAK** - McNichols Electric Service,  
4115 Thirteen Mile Road, 48072, (248) 288-5135

**TRAVERSE CITY** - Gil-Roy's Hardware,  
2701 Zimmerman Road, 49684, (231) 929-8160

## MINNESOTA

**BLAINE** - Barness #1, 8701 Central Ave. NE, 55434,  
(763) 780-7229

**BRAINERD** - Git A'Round, 4299 Hwy. 371 North, 56401,  
(218) 828-8088

**DULUTH** - All Brand Mr. Fixit, 16 West First Street,  
55802, (218)-722-1499

**ST. PAUL** - Barness, 1573 University Avenue, 55104,  
(612) 646-3109

## MISSISSIPPI

**HATTIESBURG** - Champion Cycle & Fitness,  
2625 Lincoln Road, 39402, (601) 310-0270

**IUKA** - W. H. Fairless Hardware Co., Inc., 117 Fulton  
Street, 38852, (662) 423-9256, (800) 797-9457

**JACKSON (RIDGELAND)** - Propeller Service,  
291 Hwy. 51, Suite D6, 39157, (601) 856-3191

**MERIDIAN** - Broadmoor Home Center,  
2420 Old North Hills Street, P.O. Box 3280,  
39305, (601) 483-7373

**SALTILLO** - Polaris Outdoor World, 3463 Tom Watson  
Drive, 38866, (662) 680-4733

**STARKVILLE** - East Mississippi Lumber Co.,  
300 Russell Street, 39759, (662) 323-3554

## MISSOURI

**GLADSTONE** - Mar-Beck Appliance Service Co.,  
6559 North Oak Traffic Way, 64118, (816) 436-9191

**HANNIBAL** - Williams Equipment & Electric Motor,  
124 Corporate Square, 63401, (573) 248-3887,  
(877) 234-6873

**INDEPENDENCE** - Mar-Beck Appliance Service Co.,  
4476 South Noland Road, 64055, (816) 478-1889

**KANSAS CITY** - Mar-Beck Appliance Service Co.,  
303 W. 79th Street, 64114, (816) 523-6931

**POPLAR BLUFF** - Mills Iron & Supply,  
1919 S. Westwood Blvd., 63901, (573) 785-2628

**ST. LOUIS** - Authorized Appliance, Inc.,  
2355 Hampton Avenue, 63139, (314) 647-4250

## MONTANA

**BILLINGS** - Radio Equipment Company, 1120 16th  
Street West, 59104, (406) 256-9778, (800) 711-4024

## NEBRASKA

**GRAND ISLAND** - Mundt's Small Appliance  
& Vacuum Repair, 1822 W. Northfront Street, 68803,  
(308) 382-5084

**LINCOLN** - CB Small Appliance, 432 South 11th Street,  
68508, (402) 475-2546

**LINCOLN** - Sperry TV, 1115 North 47th St., 68503,  
(402) 464-9181

**LINCOLN** - Sperry TV, 3201 Pioneer Suite 33,  
68502, (402) 327-8111

**NORTH PLATTE** - Sperry TV, 1855 West A Street,  
Westfield Shopping Center, 69010, (308) 532-5200

**OMAHA** - Myers Electric Co., 7342 Farnam, 68114,  
(402) 393-8388, (800) 234-1414

## NEVADA

**LAS VEGAS** - Burney's Commercial Service, Inc., 4480  
Aldebaran Avenue, 89103, (702) 736-0006

**MINDEN** - Valley Home & Sport Center, 1587 Highway  
395, 89423, (775) 782-5111

## NEW HAMPSHIRE

**MARLBOROUGH** - Electronics Aid Inc., 32 Roxbury  
Road P.O. Box 325, 03455, (603) 876-4161

## NEW JERSEY

**DENVILLE** - Ranft's Denville Vacuum & Appliance,  
12 Broadway, 07834, (973) 627-1156

**HAWTHORNE** - Ter Kuile, Inc., 206 Diamond Bridge  
Avenue, 07506, (201) 423-1142

**HIGHLAND PARK** - Dash Electronics,  
10 North Second Ave, 08904, (732) 247-2495

**HOWELL** - South Jersey TV Service, Inc., 4232 Rt. 9  
South, 07731, (908) 363-5550, (800) 244-3094

**MAPLEWOOD** - Kiss Electrical, 36 Newark Way, 07040,  
(973) 275-9400

**SOUTHAMPTON** - Southampton Auto Center,  
1831 Rt. 206, 08088, (609) 859-3987, (609) 859-3341

**SICKLERVILLE** - Sickler's Hardware,  
540 Williamstown Road, 08081, (856) 728-3800

**TOMS RIVER** - South Jersey TV Service, Inc., Stella  
Towne Center, 1258 Rt. 166, 08753, (908) 505-1771

**TRENTON** - Tattersall, Inc., 309 N. Willow Street, 08618,  
(609) 393-4293

## NEW MEXICO

**ALBUQUERQUE** - Appliance Service Center,  
5505 Silver Avenue, SE, 87108, (505) 265-7774

**CLOVIS** - Burns Hardware, 1511 N. Prince, 88101,  
(505) 769-2528

## NEW YORK

**ALBANY** - Lake Electronic Service, 1650 Central  
Avenue, 12205, (518) 869-8424, (800) 585-3777

**BAYSHORE, L.I.** - Turnpike Appliance of Suffolk, Inc.,  
1253 Sunrise Highway, 11706, (631) 665-8311

**BINGHAMTON** - Hardware Fare DO-IT Center,  
1139 Front Street, Nimmonsburg Square, 13905,  
(607) 722-9202

**BRONX** - Home Appliance Vacuum Word,  
5902 Riverdale Avenue, 10471, (718) 884-4600

**BUFFALO (WILLIAMSVILLE)** - Hector's Hardware, 876  
Maple Road, 14221, (716) 688-4488

**BUFFALO (HAMBURG)** - K-Technologies,  
5424 Abel Road, 14075, (716) 649-5460

**COMMACK, L.I.** - Turnpike Appliance Service,  
6181 Jericho Turnpike, 11725, (631) 499-3355

**EAST AURORA** - Sem-Fab of Western New York,  
455 Olean Road, 14052, (716) 655-5228

**ELMIRA** - Capabilities, Inc., 1149 Sullivan Street,  
14901, (607) 734-2006

**HOWARD BEACH** - Crossbay Appliance Service,  
158-34 Crossbay Blvd, 11414, (718) 843-4422

**HUDSON** - Sweeps Vacuum & Repair Center, Inc., 705  
Warren Street, 12534, (518) 828-5457

**MONTICELLO** - Wayne's Small Engine, 79 St. John  
Street, 12701, (845) 796-1851

**OCEANSIDE** - Turnpike Appliance Service,  
3495A Lawson Boulevard, 11572, (516) 486-5700

**POUGHKEEPSIE** - S & S Appliance Sales & Service,  
390 Violet Avenue, 12601, (914) 452-6122

**RICHMOND HILL** - Lockdoctor Locksmiths,  
104-37 Atlantic Ave., 11418 (718) 441-6242

**ROCHESTER** - Benfante Appliance Service,  
1286 Mt. Hope Avenue, 14620, (716) 473-8765

**STATEN ISLAND** - Springstead Lumber 6232,  
4255 Amboy Road, 10308, (718) 984-0300

**SYRACUSE** - County Wide Appliance, 1001 N. State  
Street, 13208, (315) 479-5253, (877) 479-5253

**TUCKAHOE** - Authorized Appliance of Westchester, 26  
Columbus Ave., 10707, (914) 961-8011

**WARWICK** - Wadeson Home Center, 60 Forester Ave.,  
10990, (845) 987-2215, (800) 982-2215 (NY only)

**YORKVILLE** - Yorkville Battery Inc., 126 Whitesboro  
Street, 13495, (315) 736-2307

## NORTH CAROLINA

**ANDREWS** - Smoky Mountain Hobbies, 200 Stewart  
Road, 28901, (828) 321-9836

**ASHEVILLE** - Skyland Hardware, 3179 Sweeten Creek  
Road, 28803, (704) 684-0308

**CHARLOTTE** - Authorized Appliance Servicenter,  
1020 Tuckaseegee Road, 28208, (704) 377-4501,  
(800) 532-6127

**CLINTON** - Danny's Service Center, 119 Vance Street,  
28328, (910) 592-3200

**ELIZABETH CITY** - Coastal Office Equipment Co., 501  
East Church Street, 27909, (919) 335-2927

**JACKSONVILLE** - Discount Sales and Service,  
468-B Western Blvd., 28456, (910) 455-6700

**RALEIGH** - Authorized Appliance Service Center,  
800 North Person Street, 27604, (919) 834-3476

**WINSTON-SALEM** - Authorized Appliance Service  
Center, 904 S. Marshall Street, 27117, (910) 725-5396

## NORTH DAKOTA

**BISMARCK** - Guitarland, 210 E Main Street, 58501,  
(701) 255-0212

**DICKINSON** - Fix It Shop, 316 21st Street E, 58601,  
(800) 871-0766

**FARGO** - General Parts & Supply Co., 10 S. 18th St,  
58103, (701) 235-4161, (800) 279-9987

## OHIO

**AKRON** - Advanced Appliance Service Company,  
73 W. Exchange Street, 44308, (330) 762-8968

**BROOKLYN HEIGHTS** - Philips Consumer,  
950 Keynote Circle, 44131, (216) 741-3334,  
(800) 331-7037

**CANTON** - Appliance Parts Co., 1267 Duebner Avenue,  
SW, 44706, (330) 453-8077

**CINCINNATI** - H&S Service, 458 Cincinnati Batavia  
Pike, 45244, (513) 528-0808

**CLEVELAND (MENTOR)** - Lake Erie Lawn & Garden,  
7833 Munson Rd., 44060, (216) 257-9000

**CLEVELAND (PARMA)** - Majors Appliance,  
5785 Ridge Road, 44129, (216) 884-7200

**CLEVELAND (WESTLAKE)** - Philips Consumer  
Electronics, 24090 Detroit Avenue, 44145,  
(216) 899-2040, (800) 331-7037

**DAYTON** - Layer Electric, 603 South Ludlow Street,  
45402, (937) 224-9608

**DAYTON (NEW CARLISLE)** - Ballweg Do-It Center,  
3300 South Dayton, Lakeview Rd., 45344,  
(937) 849-1306

**GALION** - Allied Electrical Repair, 1404 Harding Way  
East, 44833, (419) 468-4962, (800) 648-6771

**LIMA** - Crouse Lumber Do-It Center, 333 E. Market  
Street, 45801, (419) 229-9070, (800) 826-9663

**MANSFIELD** - Boliantz Hardware, 860 Ashland Road,  
44905, (419) 589-5467

**PORTSMOUTH** - Market St Hardware & Toy Town, 217  
Market Street, 45662, (740) 456-5704

**STRYKER** - Short's Hardware, 115 N. Depot Street,  
43557, (419) 682-4231

**TOLEDO** - Broadway Sales and Appliance Repair, 1621  
Broadway, 43609, (419) 241-9731,  
(800) 436-5415

**WELLINGTON** - Travelite Inc., 100 Industrial Avenue,  
P.O. Box 60, 44090, (440) 647-3670, (800) 326-0406

**YOUNGSTOWN** - O'Connor's, 3224 Market Street,  
44507, (330) 782-4705



# Authorized Service Centers

## OKLAHOMA

**ADA** - Bert's Supply Co, Hwy 99, 74820, (580) 332-7295, (800) 259-7202

**McCALESTER** - Quality Upholstery, 803 East Gene Stipe Blvd., 74501, (918) 423-4747

**OKLAHOMA CITY** - Appliance Services by CK, 101 East Madison, 73105, (405) 525-8862

**OKLAHOMA CITY** - Oklahoma Service Center, 1940 North May Street, 73107, (405) 946-9841

**TULSA** - H.L. Moss, Inc., 1714 E. 15th Street, 74104, (918) 744-1305, (800) 248-5948

## OREGON

**EUGENE** - Oldfield's, 1465 West 7th, 97402, (541) 485-6000, (800) 944-0238

**PORTLAND** - Appliance Repair Central, 2033 N. E. Columbia Blvd, 97211, (503) 285-1828, (800) 588-7339

## PENNSYLVANIA

**ALTOONA** - Frye's Sweeper & Sewing Center, Inc., 1400 Valley View Boulevard, 16602, (814) 943-5001, (800) 640-1308

**BUTLER** - Battery Warehouse, 469 Cunningham Street, 16001, (724) 287-3191

**CRANBERRY** - Batteries Plus North, Cranberry Towne Plaza 20808 Route 19, 16066, (724) 742-1690

**ERIE** - Parke T. Morrow Inc., 627 West 26th Street, 16508, (814) 455-7566

**GROVE CITY** - Battery Warehouse, 620 East Main Street, 16127, (724) 458-1655

**HARRISBURG** - C.A. Juillard, Inc., 2301 North Seventh Street, 17110, (717) 233-3488, (800) 633-3488

**JOHNSTOWN** - Cambria True Value Hardware, West Hills Square, Goucher Street, 15905, (814) 255-4752

**KINGSTON** - Vac-Way Appliance & Service, 595 Market Street, 18704, (570) 288-4508

**LANCASTER** - Colonial Electronics Inc., 241 West Roseville Suite #2t, 17601, (717) 560-2222

**McDONALD** - Small Engine World, 130 East O'Hara Street, 15057 (724) 926-3330

**MOSCOW** - Vac-Way Appliance & Service, RR #6 Box 6237, 18444, (570) 842-4668

**ORANGEVILLE** - Hess Do-It Center & Market, Route 487, Box 4 M, 17859, (570) 683-5162

**PHILADELPHIA** - Appliance Care/Service Corp., 6407 Rising Sun Ave., 19111, (215) 725-3112

**PHILADELPHIA (COLLINGDALE)** - J.F. Kenney Electric, 920 MacDade Blvd, 19023, (610) 534-7373

**PITTSBURGH** - Batteries Plus, 3912 Library Road, 15234, (412) 531-1690

**READING** - Electric Repair Co., 502-504 N. 9th Street, 19604, (610) 376-5444, (800) 422-8171 (PA only)

**SCRANTON** - Vac-Way Appliance and Service, 601 Cedar Avenue, 18505, (570) 343-1121

**SHAMOKIN DAM** - Willard Battery Outlet, 138 S. Old Trail, 17876, (570) 743-5383

**SHIPPENVILLE** - Battery Warehouse, 11105 Rt 322 Riverhill , 16254, (814) 227-2123

**TROY** - Hoover Hardware, 9 Canton, 16947, (800) 251-2156, (570) 297-3445

**WILKES-BARRE** - Walter Hardware DO-IT Center, 57 N. Welles Street, 18702, (570) 823-1406

## PUERTO RICO

**MAYAGUEZ** - Cardona Appliance Service, 8 San Vicente Street, 00680, (787) 832-8366

**MAYAGUEZ** - AAA Melendez Rental, Calle Post 319 Sur, 00680, (787) 832-5225

**PONCE** - Ferreteria Vivian, Centro Comercial, Los Caobos #7, 00731, (787) 840-0677

**PUERTO NUEVO** - Buckeye Service, 1013 Jesus T. Pinero Avenue, 00920, (787) 782-6175

## SOUTH CAROLINA

**AIKEN** - Dunagan's Sewing & Vacuum, 1536 Whiskey Road, 29803, (803) 649-6777

**BELTON** - American Pro Office Equipment, 309 Forest Lane, 29627, (864) 338-9041

**CHARLESTON HEIGHTS** - Dorchester Electric Service, 3575 Dorchester Avenue, 29405, (803) 747-5221

**COLUMBIA** - Authorized Appliance Servicer, 1811 Taylor Street, 29202, (803) 254-8414

**DARLINGTON** - Hobbies and More, 1570 South Main Street, 29532, (803) 393-0355, FAX (803) 393-8171

**EASLEY** - Trails End Bicycles, 110 Pendleton Street, 29640, (864) 306-1684

**FORT MILL** - Service Engines Inc., 3356 SC Highway 51, 29715, (803) 548-1778, (800) 845-1191

**GREENWOOD** - Bikes & Boards & Mopeds, 203A Montague Avenue, 29646, (864) 229-2453

**HILTON HEAD ISLAND** - Bikes Kites & More, 2 E Southwood Park Drive, 29926, (843) 342-7530, (888) 414-1096

**SENECA** - Seneca Micronics, 110 East North First, 29678, (864) 882-6593

## SOUTH DAKOTA

**RAPID CITY** - Mick's Electric, Inc, 1304 Oregon Street, 57701, (605) 348-2335

**WINNER** - Nelson's Electronics Inc., 422 West 2nd Street P.O. Box 369, 57580, (605) 842-1611, (888) 842-1699

## TENNESSEE

**CHATTANOOGA** - Consumer Service Company, 2607 E 47th Street, 37407, (423) 867-8629

**DANDRIDGE** - Save More Sales, 1291 W Hwy. 25-70, 37725, (865) 397-1255

**KNOXVILLE** - Appliance & Electric Service Company, 4816-M Kingston Pike, 37919, (865) 588-5395, (800) 585-5395

**KNOXVILLE** - Authorized Appliance Service Center, 1206 North Central Street, 37917, (865) 524-3376

**MEMPHIS** - Camp Electric Co., 647 Madison Avenue, 38103, (901) 527-7543, (800) 238-7345

**NASHVILLE** - Webb's Appliance Service Center, Inc., 1519 Church Street, 37203, (615) 329-4079, (800) 899-4079

**PINEY FLATS** - Appalachian Small Engines, 6192 Hwy 11E, 37686, (423) 391-0185

## TEXAS

**AMARILLO** - Reid's Appliance Service, Inc., 906 Georgia, 79102, (806) 373-8812

**AUSTIN** - Harrell Supply and Service, Inc., 5435 Burnet Road, 78756, (512) 451-6464, (800) 332-7250 (TX only)

**AUSTIN** - Harrell Supply and Service, Inc., 1409 West Oltorf, 78704, (512) 442-5966

**CORPUS CHRISTI** - Brand Appliance & Microwave, 2751 South Staples, 78404, (361) 854-1851

**DALLAS** - All Type Sales and Service Co., Inc., 2835 Irving Blvd., 75207, (214) 638-1170, (800) 717-1170

**DALLAS** - Pearsol Appliance Co., 3127 Main Street, 75226, (214) 939-0930

**FT. WORTH** - Ft. Worth Shaver and Appliance Center, 1900 Montgomery Street, 76107, (817) 335-9970, (800) 816-2126

**HOUSTON** - Brand Service Center, 5727 Richmond Avenue, 77057, (713) 782-8910

**KILLEEN** - Master Tech Repairs, 501 West Elms Road Suite #10, 76542, (254) 618-5480

**LONGVIEW** - Foster's, 3315 Gilmer Road, 75604, (903) 759-3939

**LUBBOCK** - Minter's, 4409 50th Street, 79414, (806) 799-3170

**LUFKIN** - STS Audio and Video, 1505 South First Street, 75901, (936) 639-4529

**MC ALLEN** - All-In-One Repair Shop, 2313 Lark Avenue, 78504, (210) 682-8858

**MIDLAND** - Midland Tool Specialty, 918 South Main, 79701, (915) 682-4647, (800) 499-0755

**PASADENA** - Larry's TV Service, 3520 Fairmont Parkway, 77504, (713) 998-0122,

**ROMA** - True Value Hardware, 1004 E. Highway 83, (210) 849-1322

**SAN ANTONIO** - Texas Shaver & Appliances, 8121 Callaghan Road, 78230, (210) 344-8577

**TEMPLE** - Master Tech Repairs, 2819 West Avenue North, 76504, (817) 773-8991

**WICHITA FALLS** - Burke's Appliance Service, 2410 10th Street, 76309, (817) 723-6211

## UTAH

**OREM** - The Mending Shed, 1735 South State Street, 84058, (801) 225-8012, (800) 339-9297

**SALT LAKE CITY** - Appliance Service Center, Inc., 210 East 6th South, 84111, (801) 328-9703

**WILLARD** - Peak Electric Co Inc, 780 N 200 W, 84340, (435) 723-7104

## VIRGINIA

**ALEXANDRIA** - D & S Repair Service, 20 South Dove Street., 22314 (703) 683-0009

**BLACKSTONE** - Bevell's True Value Hardware, 109 North High Street, 23824, (804) 292-7208, (800) 883-1270

**FREDERICKSBURG** - Fredericksburg Electrical Repair, Inc., 10825-D Houser Drive, 22408, (540) 891-7911

**HARRISONBURG (PENN LAIRD)** - J.L. Maintenance & Repair, Inc., Rt 2, Box 308, 22846, (540) 289-9844

**LOUISA** - Lakeside Electric Const., 4344 Davis Highway Suite 2, 23093, (540) 967-3000

**RICHMOND** - Wells Inc., 3502 Jefferson Davis Highway, 23234, (804) 233-6726

**ROANOKE** - Commonwealth Shaver & Appliance Service, 5524 Williamson Road, NW, 24012, (540) 366-6038

**SOUTH BOSTON** - South Boston True Value, 307 Broad Street, 24592, (804) 572-6666

**VIRGINIA BEACH** - Commonwealth Electric Shaver, 549 Newton Road #108, 23462, (757) 490-0500

**WINCHESTER** - Battery Mart of Winchester, Inc., 1 Battery Dr., 22601, (703) 655-0065

## WASHINGTON

**ARLINGTON** - Cordz Limited, 105 North Olympic Avenue, 98223, (360) 435-2471

**FEDERAL WAY** - Martha Lake Electronics, 2118 South 314th Street, 98003, (253) 946-9033

**KENNEWICK** - At Home Electronic Service, 313 East First Avenue, 99336, (509) 586-3800

**LYNNWOOD** - Martha Lake Electronics, 16521 13th Avenue West, 98037, (425) 743-4178

**RENTON** - Martha Lake Electronics, 212 South West 43rd, 98055, (425) 251-5417

**SEATTLE** - Action Small Appliance, 2125 2nd Avenue, 98121, (206) 448-2020

**SEATTLE (BELLEVUE)** - Action Small Appliance Service, 1500 145th Place, SE, 98007, (206) 643-9806

**SPOKANE** - Aalwaco Appliance, N 3007 Argonne Road, 99212, (509) 487-1089

**TACOMA** - Martha Lake Electronics, 2913 South 38th Street, 98409, (253) 475-0668

**WENATCHEE** - Motor Mart, 150 Marr, 98801, (509) 633-4237

## WEST VIRGINIA

**BECKLEY** - Jerry's Detectors, Vacuum & Appl. Svc., 411 Second Street. 25801, (304) 253-3521

**CHARLESTON** - Sneed's Vacuum & Sewing Center, 2614 7th Avenue, 25312, (304) 744-3670, (800) 245-8048 (WV only)

**HARRISVILLE** - Western Auto, 1107 E. Main St., 26362, (304) 643-2226

**HUNTINGTON** - Mike's Appliance and Service, 212 20th Street, 25703, (304) 522-0737

**MARTINSBURG** - Battery Mart, 1161-3 Winchester Avenue, 25401, (304) 267-7033, (800) 464-7918

**PARKERSBURG** - Battery Mart, 656 Seventh Street, 26101, (304) 424-7250

**VIENNA** - T & S Lawn - Landscape & Power Equipment, 1100 10th Street, 26105, (304) 295-7633 (800) 559-7633

**WHEELING** - Fast Service Center, 1058 Main Street, 26003, (304) 232-5561 (800) 874-4090

## WISCONSIN

**ELK MOUND** - Epp Electronics, E9485-A County Road EE, 54739, (715) 879-4634

**GREENBAY** - Kastle Carts, Inc., 2301 N.Irwin Ave., 54313, (414) 465-6121

**LACROSSE** - Paul's Shaver Service, 1224 Caledonia Street, 54603, (608) 782-6291

**MILWAUKEE** - Brand Appliance Repair, Inc., 6601 W Oklahoma Avenue, 53219, (414) 541-4340

**MONONA** - Kiefers Shaver & Appliance, 4511 Monona Drive, 53716, (608) 221-3322

# IMPORTANT!

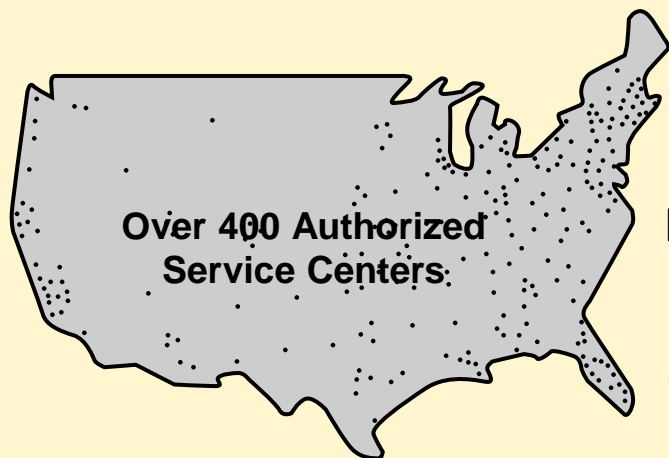
**DO NOT use this vehicle for the first time until you have charged the battery for 18 hours.**

Remember to...

- ✓ Insert a 25 amp fuse (included) into the battery.
- ✓ Charge the battery immediately after each use.
- ✓ Charge the battery once a month during storage, even if the vehicle has not been used.

Failure to follow these instructions will permanently damage your battery and void your warranty. Please refer to the Battery Care Section in this manual for more information.

## DO NOT Return your Vehicle to the Store !



If you are missing parts or need assistance, please call us toll-free:

**Power Wheels® Consumer Relations**

**1-800-348-0751**

**8 AM - 6 PM EST, Monday through Friday.**

Or contact your local Power Wheels® Authorized Service Center.



For the location nearest you, refer to the Authorized Service Center list in this manual.

Fisher-Price and Power Wheels by Fisher-Price are U.S. trademarks of Mattel, Inc. Fisher-Price, Inc., a subsidiary of Mattel, Inc., East Aurora, New York 14052 U.S.A. ©2001 Mattel, Inc. All Rights Reserved.

## Free Manuals Download Website

<http://myh66.com>

<http://usermanuals.us>

<http://www.somanuals.com>

<http://www.4manuals.cc>

<http://www.manual-lib.com>

<http://www.404manual.com>

<http://www.luxmanual.com>

<http://aubethermostatmanual.com>

Golf course search by state

<http://golfingnear.com>

Email search by domain

<http://emailbydomain.com>

Auto manuals search

<http://auto.somanuals.com>

TV manuals search

<http://tv.somanuals.com>