



**Infant Seat**



**Infant Swing**



**High Chair**



**Toddler Seat**

# Consumer Information

## Infant Seat

- Age: approximately 0-6 months.
- Maximum weight: 25 lbs (11,3 kg).
- Use infant seat from birth until child is able to sit up unassisted.



## WARNING

### To prevent serious injury or death:

#### • Fall Hazard

- Never use on any elevated surface, since child's movement may cause infant seat to slide or tip over. Use only on a floor.
- Never release seat from base with child in seat.

#### • Suffocation Hazard - Never use on a soft surface (bed, sofa, cushion), since infant seat may tip over and cause suffocation in soft surfaces.

- Always use restraint system.
- Never leave child unattended.
- The infant seat is not intended to replace a crib or bassinet for prolonged periods of sleep.
- Never use infant seat for a child able to sit up unassisted.
- Never attach infant seat to a chair.
- Never use as a carrier or lift while child is seated.

## Infant Swing

- Age: approximately 0-6 months.
- Maximum weight: 25 lbs (11,3 kg).
- Use infant swing from birth until child becomes active and attempts to climb out of the product.



## WARNING

### To prevent injury or death from falls and being strangled in the restraint system:

- Always use restraint system.
- Never use with an active child who may be able to climb out of swing.
- Never leave child unattended.
- Never release seat from frame with child in swing. Never carry child in seat.

# Consumer Information

## High Chair

- Age: approximately 6-24 months.
- Maximum weight: 50 lbs (22,6 kg).
- Use high chair only with a child who has enough upper body control to sit up unassisted.



## WARNING

### To prevent serious injury or death from falls or sliding out:

- Always secure child with restraint belts adjusted to fit your child snugly. The tray is not designed to hold child in high chair.
- Use only with a child who has enough upper body control to sit unassisted.
- Never leave child unattended.
- Never release seat from base with child in high chair. Never carry child in seat.

## Toddler Seat

- Age: approximately 18 months and up.
- Maximum weight: 50 lbs (22,6 kg).
- Use toddler seat only with a child capable of getting into and out of the product unassisted.



## WARNING

### To prevent serious injury or death:

- **Fall Hazard**
  - Never use on any elevated surface, since child's movement may cause the product to slide or tip over. Use only on a floor.
  - Never release seat from base with child in seat.
- Use only with a child who is able to get in and out of the seat unassisted. Do not use restraint system.
- Never use as a carrier or lift while child is seated.
- Never attach toddler seat to a chair.

# Consumer Information

- **IMPORTANT! Please keep these instructions for future reference.**
- Please read these instructions before assembly and use of this product.
- Adult assembly is required. Tool required for assembly: Phillips screwdriver (not included).
- Requires four “C” (LR14) **alkaline** batteries for swing operation (not included).
- Product features and decoration may vary from photos.

## Care

- Before use, thoroughly wash all parts (the tray) that may contact food. The tray is not microwave or dishwasher safe.
- The bases, swing frame, legs, seat, toy and tray can be wiped clean using a mild cleaning solution and a damp cloth. Do not immerse the swing frame. Do not use bleach. Do not use harsh or abrasive cleaners. Rinse clean with water to remove residue.
- The pad can be machine washed in cold water on the gentle cycle. Do not use bleach. Tumble dry on low heat.

### To remove the pad:

- Remove the four elastic loops from the pegs on the underside and back of the seat.
- Push the waist and crotch restraints down through the slots in the pad.
- Lift to remove the pad from the seat.
- Refer to the Seat Pad Assembly section to replace the pad.

## FCC Statement (United States Only)

This equipment has been tested and found to comply with the limits for a Class B digital device, pursuant to Part 15 of the FCC Rules. These limits are designed to provide reasonable protection against harmful interference in a residential installation. This equipment generates, uses and can radiate radio frequency energy and, if not installed and used in accordance with the instructions, may cause harmful interference to radio communications. However, there is no guarantee that interference will not occur in a particular installation. If this equipment does cause harmful interference to radio or television reception, which can be determined by turning the equipment off and on, the user is encouraged to try to correct the interference by one or more of the following measures:

- Reorient or relocate the receiving antenna.
- Increase the separation between the equipment and receiver.
- Consult the dealer or an experienced radio/TV technician for help.

Note: Changes or modifications not expressly approved by the manufacturer responsible for compliance could void the user's authority to operate the equipment.

This device complies with Part 15 of the FCC Rules. Operation is subject to the following two conditions: (1) this device may not cause harmful interference and (2) this device must accept any interference received, including interference that may cause undesired operation.

## ICES-003

This Class B digital apparatus complies with Canadian ICES-003. Operation is subject to the following two conditions: (1) this device may not cause harmful interference and (2) this device must accept any interference received, including interference that may cause undesired operation.

## NMB-003

Cet appareil numérique de la classe B est conforme à la norme NMB-003 du Canada. L'utilisation de ce dispositif est autorisée seulement aux conditions suivantes : (1) il ne doit pas produire de brouillage et (2) l'utilisateur du dispositif doit être prêt à accepter tout brouillage radioélectrique reçu, même si ce brouillage est susceptible de compromettre le fonctionnement du dispositif.

# Parts

**IMPORTANT!** Please remove all parts from the package and identify them before assembly. Some parts may be packed in the pad.



Infant Seat Front Crossbar



Infant Seat Rear Crossbar



2 Infant Seat Side Rails  
(Left and Right)



Toy



Toddler Seat Front Crossbar



Toddler Seat Rear  
Crossbar



2 Toddler Seat Side Rails  
(Left and Right)



High Chair Tray



Swing Frame



2 Swing Arms  
(Left and Right)

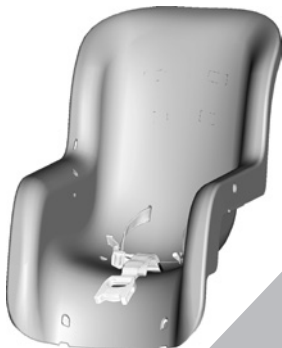


4 Legs



Pad

Seat



Swing Seat Base

**Note:** The swing seat base is attached to the seat to fit in the package. Please remove the seat from the swing seat base (see page 6).

**Note:** Tighten or loosen all screws with a Phillips screwdriver. Do not over-tighten the screws.



#8 x 1" (2,5 cm) Screw – 20  
Shown Actual Size

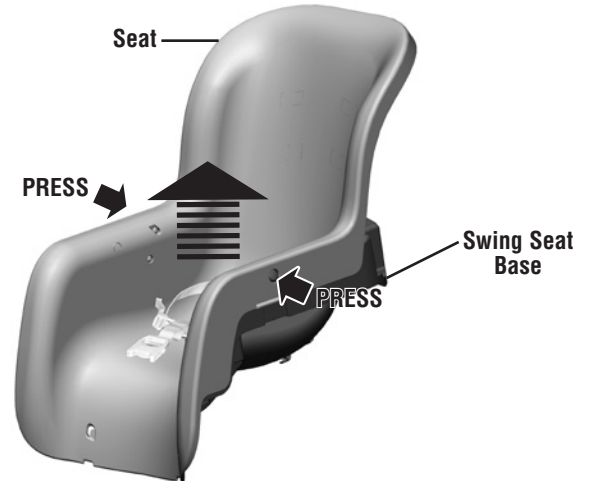
# Assembly



## CAUTION

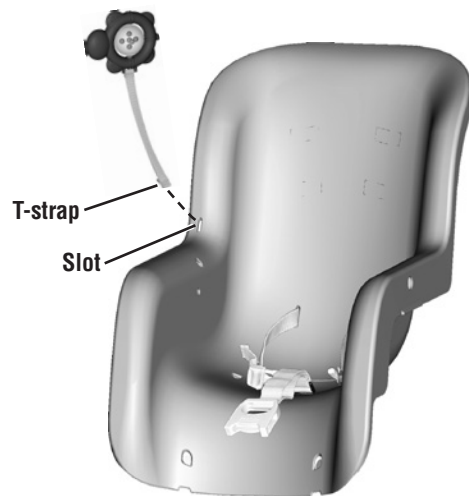
This package contains small parts in its unassembled state. For adult assembly only.

**IMPORTANT!** Before assembly and each use, inspect this product for damaged hardware, loose joints, missing parts or sharp edges. DO NOT use if any parts are missing or broken. Contact Fisher-Price® for replacement parts and instructions if needed. Never substitute parts.



1

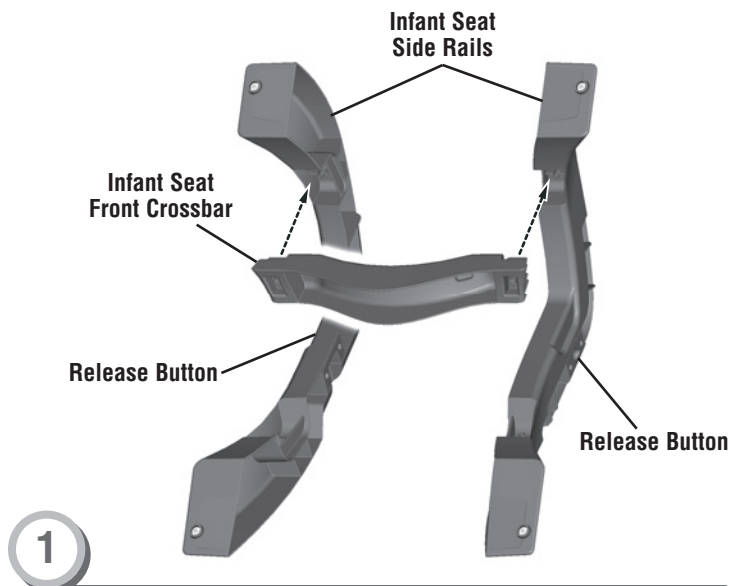
- Press the buttons on each side of the seat and lift to remove the seat from the swing seat base.
- Set both parts aside for Infant Swing Frame and Pad assembly.



2

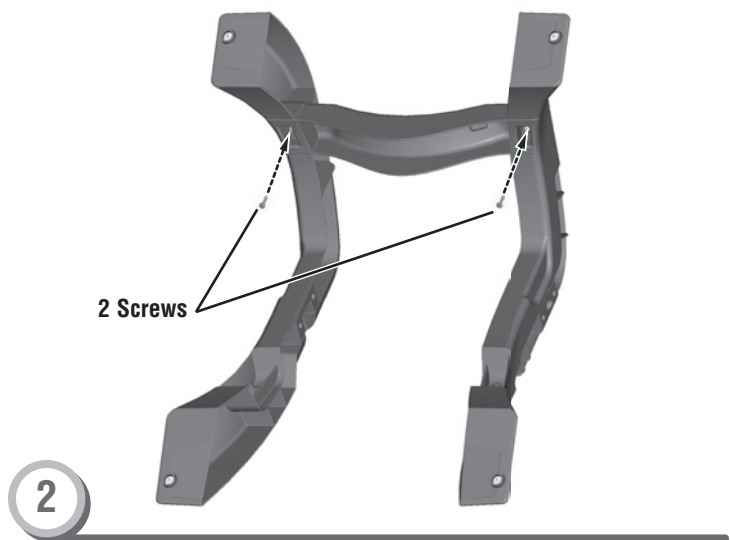
- If desired, fit the toy T-strap down through the slot in the seat.

# Infant Seat Base One-Time Assembly

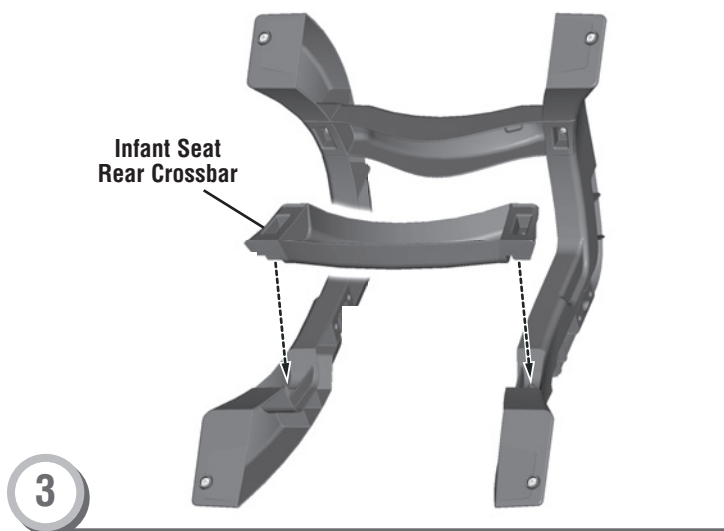


- Locate the infant seat side rails and the infant seat front crossbar.
- Position the infant seat side rails, as shown, with the release buttons outward.
- Fit the crossbar into the sockets in the side rails, as shown.

**Hint:** The crossbar is designed to fit the side rails one way. If it does not seem to fit, turn it around and try again.

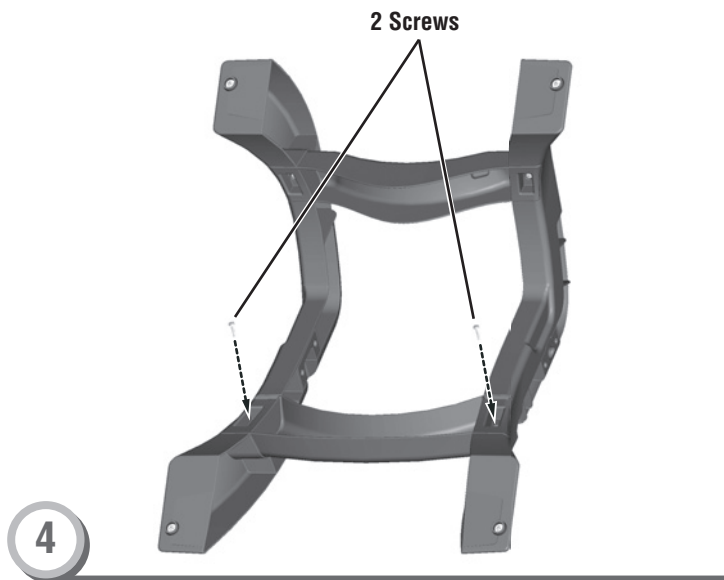


- Insert two screws into the holes in the crossbar and tighten.



- Fit the infant seat rear crossbar into the sockets in on the side rails, as shown.

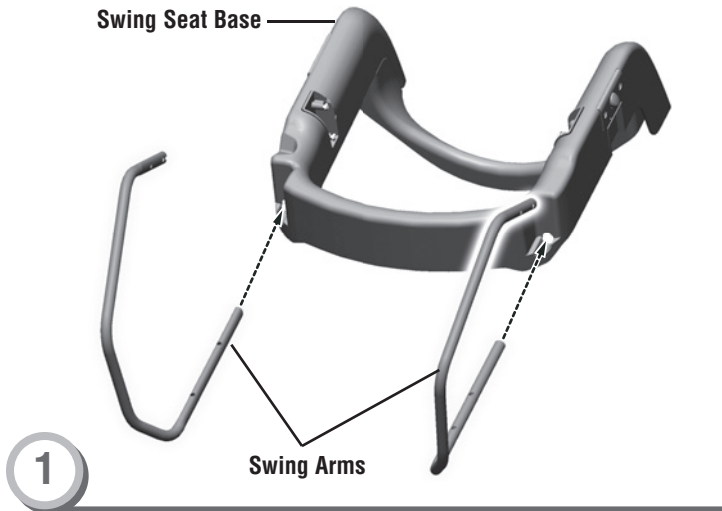
**Hint:** The crossbar is designed to fit the side rails one way. If it does not seem to fit, turn it around and try again.



- Insert two screws into the holes in the crossbar and tighten.
- Turn the infant seat base assembly upright.



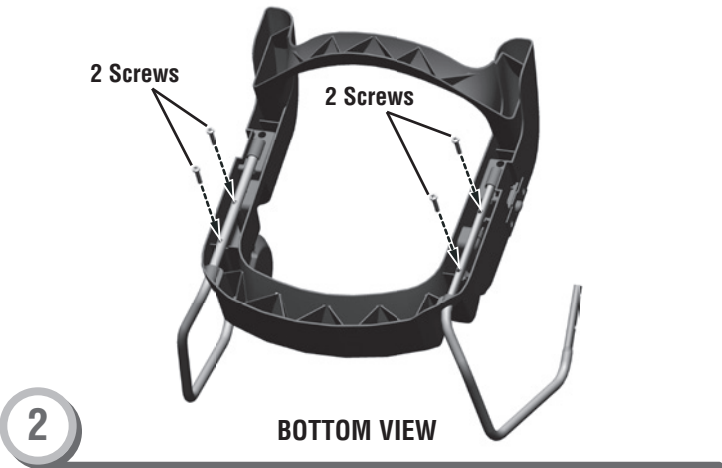
# Infant Swing Frame One-Time Assembly



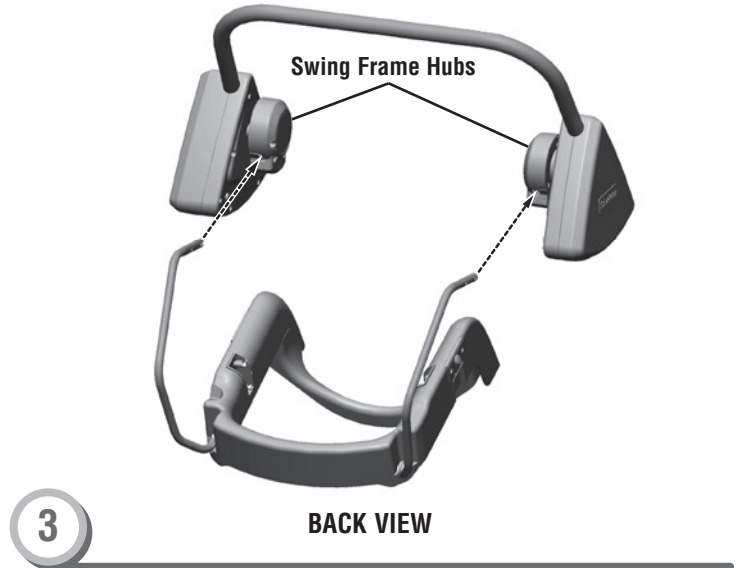
- Slide the longer, straight ends of the swing arms through the holes in the swing seat base.

**Hint:** The swing arms are designed to fit one way. If a swing arm does not seem to fit, try inserting it into the other hole in the swing seat base.

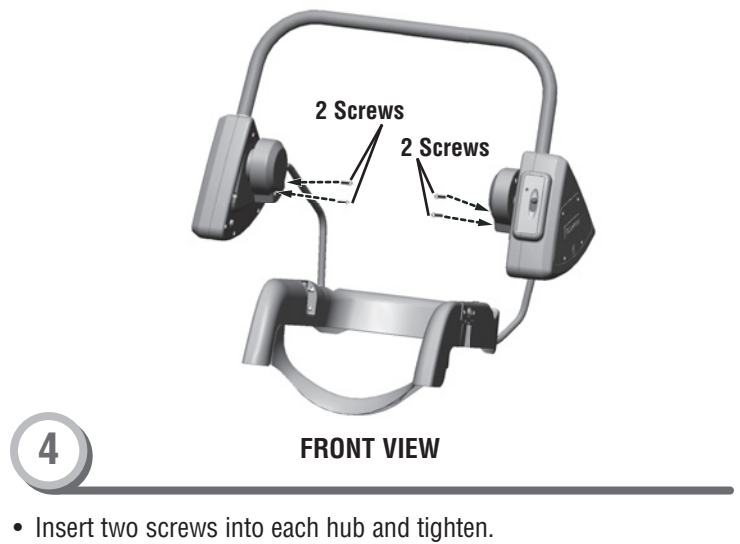
- Turn the assembly over.



- Insert two screws into each swing arm and tighten.
- Turn the assembly upright.



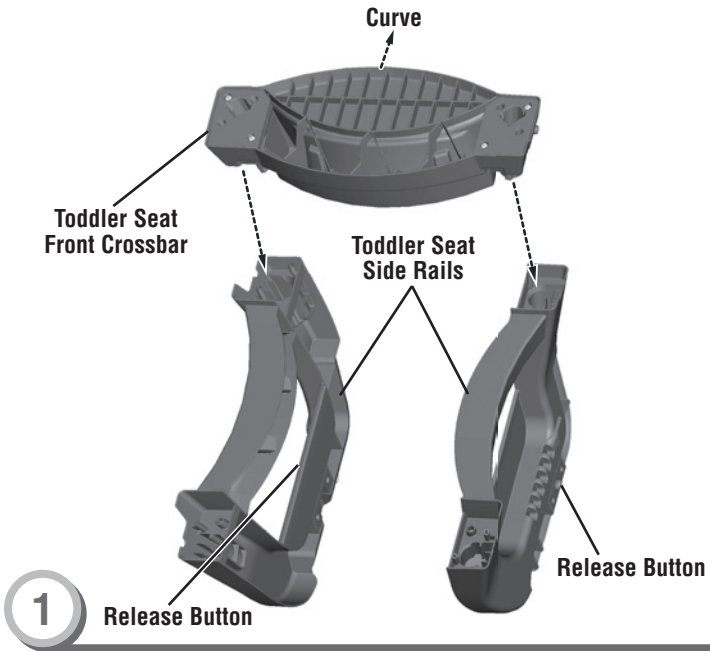
- Fit the swing arms into the sockets in the swing frame hubs.
- Turn the assembly around.



- Insert two screws into each hub and tighten.

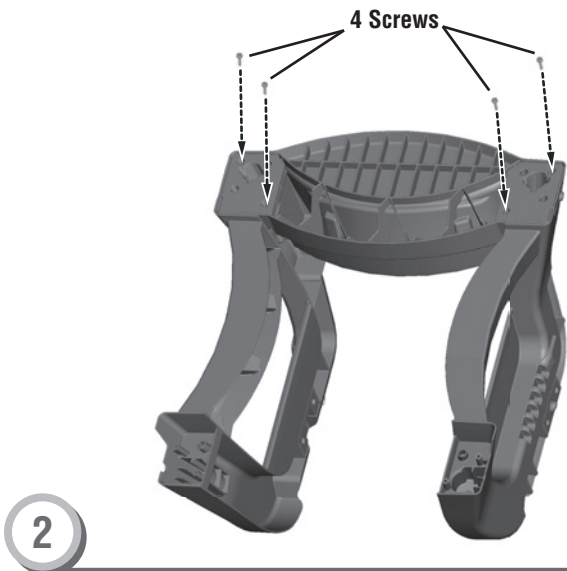


# Toddler Seat Base One-Time Assembly

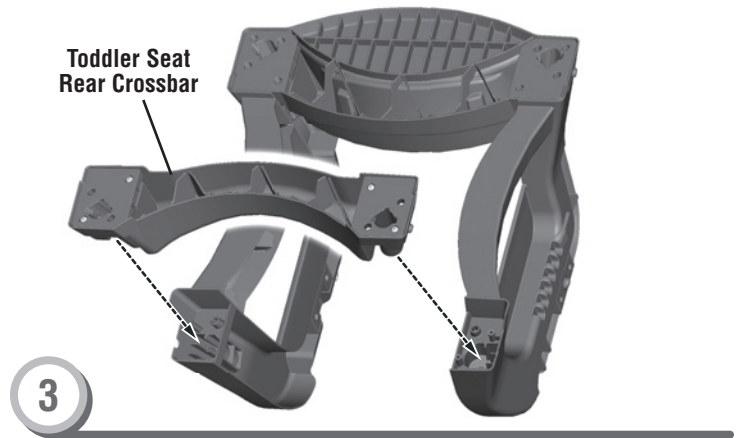


- Position the toddler seat side rails, with the release buttons outward.
- Position the toddler seat front crossbar with the curve outward.
- Fit posts on the crossbar into the sockets in side rails.

**Hint:** The crossbar is designed to fit one way. If it does not seem to fit in the side rails, turn it around and try again.

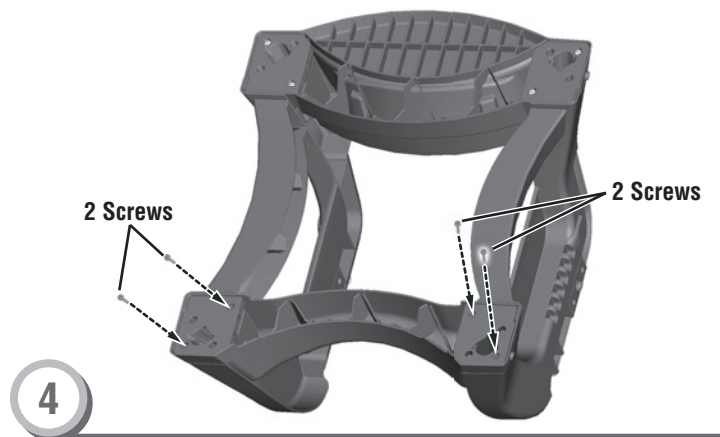


- Insert four screws into the crossbar and tighten.



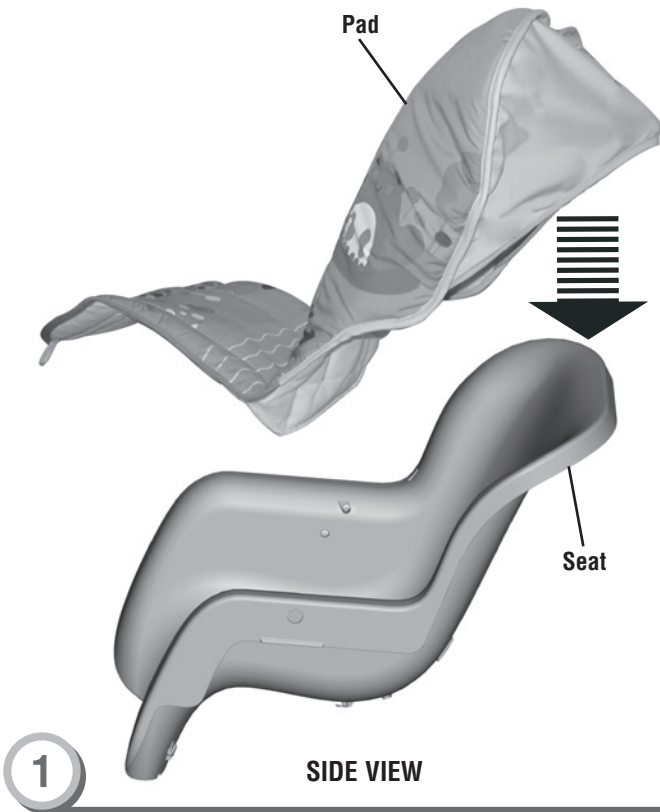
- Fit posts on the toddler seat rear crossbar into the sockets in side rails.

**Hint:** The crossbar is designed to fit one way. If it does not seem to fit onto the side rails, turn it around and try again.



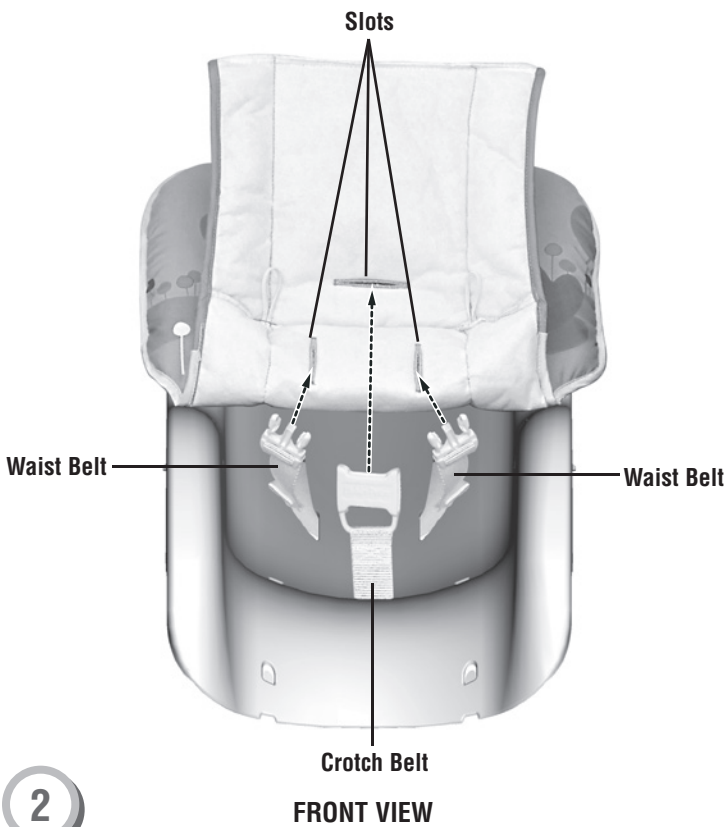
- Insert four screws into the crossbar. Fully tighten the screws.
- Turn the toddler seat base upright.

# Seat Pad Assembly



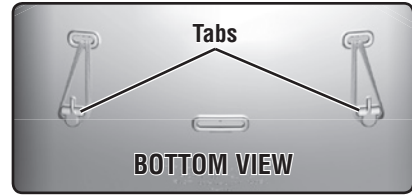
**SIDE VIEW**

- Fit the pocket on the top of the pad over the seat back.

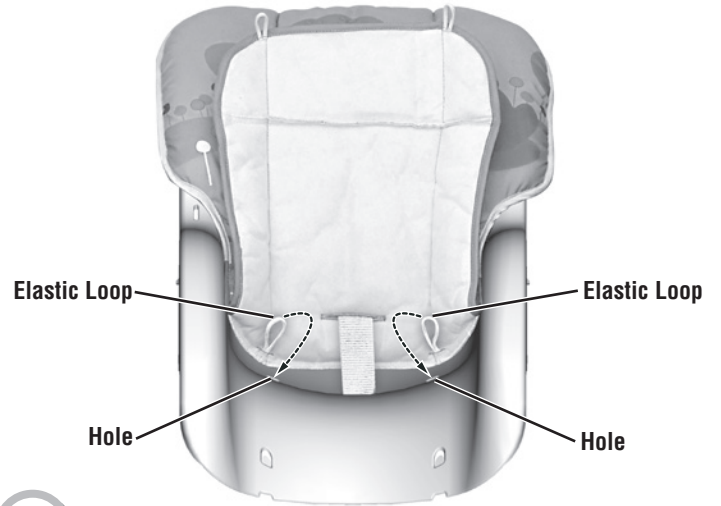


**FRONT VIEW**

- Lift the front edge of the pad up and fit the waist and crotch belts up through the slots in the pad.

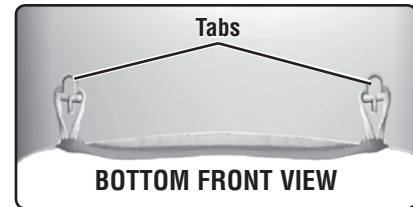


**BOTTOM VIEW**

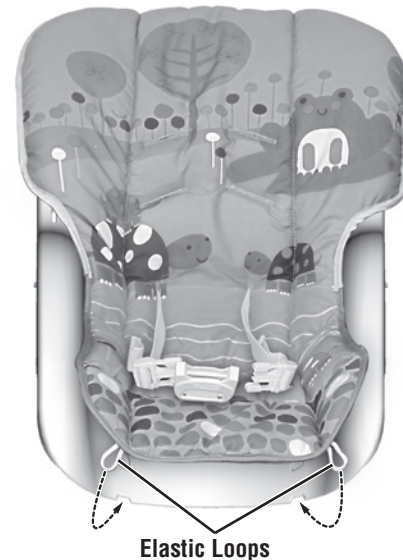


**3**

- Insert both elastic loops on the pad through the holes in the seat bottom.
- From the bottom of the seat, hook the elastic loops to the tabs on the seat.



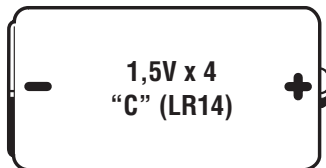
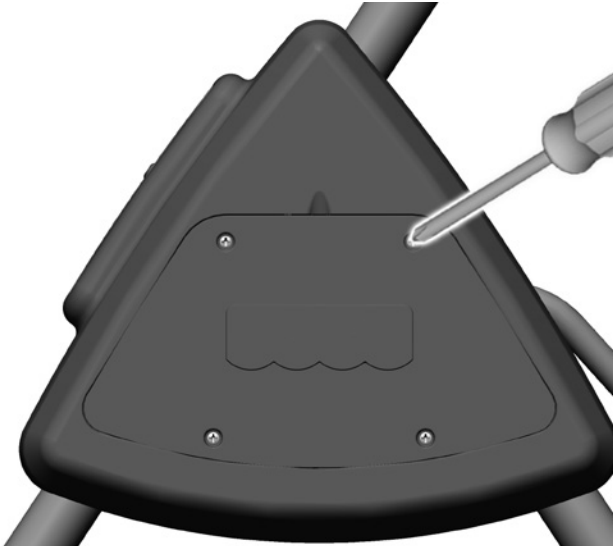
**BOTTOM FRONT VIEW**



**4**

- Hook the elastic loops on the front edge of the pad to the tabs on the seat bottom.

# Swing Frame Battery Installation




## Battery Safety Information

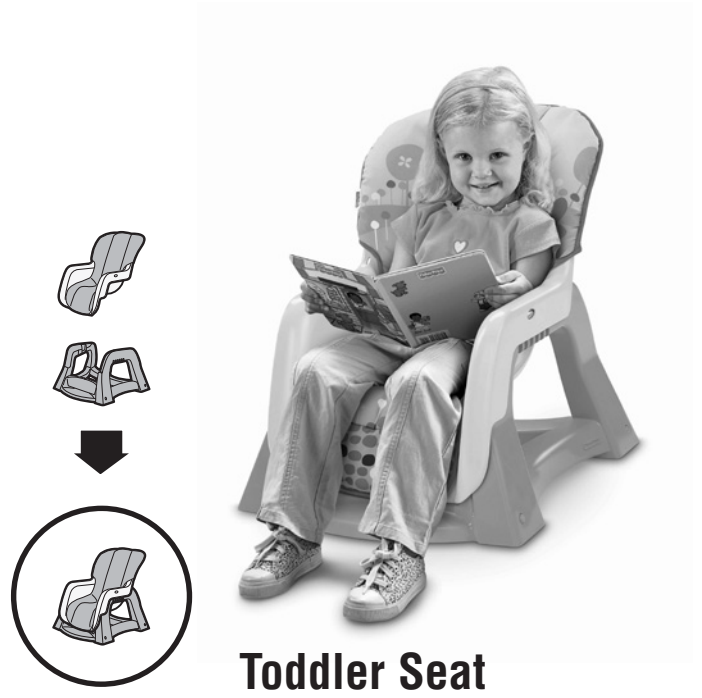
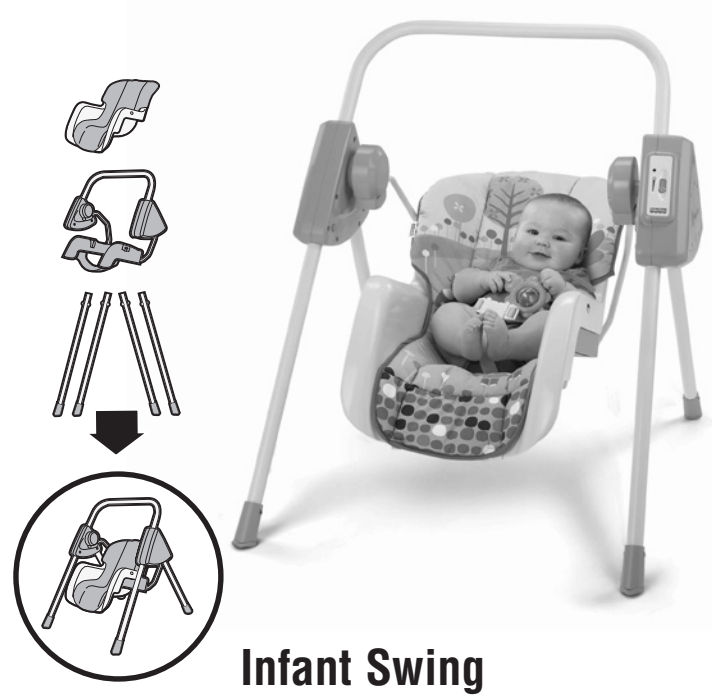
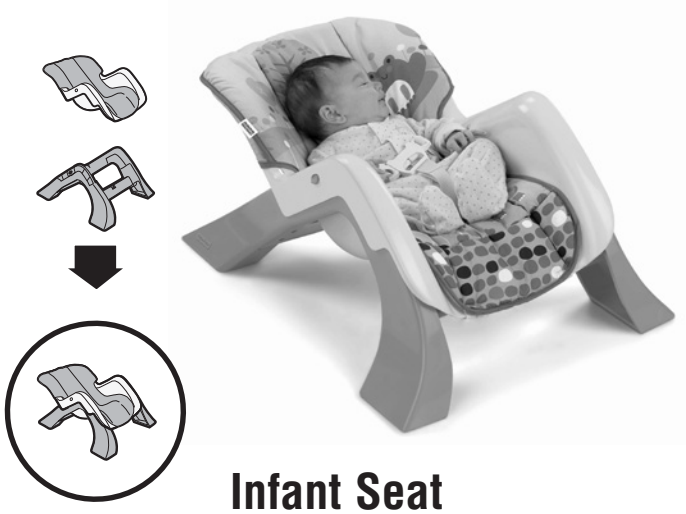
In exceptional circumstances, batteries may leak fluids that can cause a chemical burn injury or ruin your product. To avoid battery leakage:

- Do not mix old and new batteries or batteries of different types: alkaline, standard (carbon-zinc) or rechargeable (nickel-cadmium).
- Insert batteries as indicated inside the battery compartment.
- Remove batteries during long periods of non-use. Always remove exhausted batteries from the product. Dispose of batteries safely. Do not dispose of this product in a fire. The batteries inside may explode or leak.
- Never short-circuit the battery terminals.
- Use only batteries of the same or equivalent type, as recommended.
- Do not charge non-rechargeable batteries.
- Remove rechargeable batteries from the product before charging.
- If removable, rechargeable batteries are used, they are only to be charged under adult supervision.

- Locate the battery compartment door on the swing frame.
  - Loosen the screws in the battery compartment door with a Phillips screwdriver.
  - Insert four "C" (LR14) **alkaline** batteries.
- Hint:** We recommend using **alkaline** batteries for longer battery life.
- Replace the battery compartment door and tighten the screws. Do not over-tighten.
  - If this product begins to operate erratically, you may need to reset the electronics. Turn the power off and then back on.
  - When motion from the swing becomes slow/faint or stops, it's time to replace the batteries.

 Protect the environment by not disposing of this product with household waste (2002/96/EC). Check your local authority for recycling advice and facilities (Europe only).

# Use one seat 4 different ways!



# Infant Seat Use



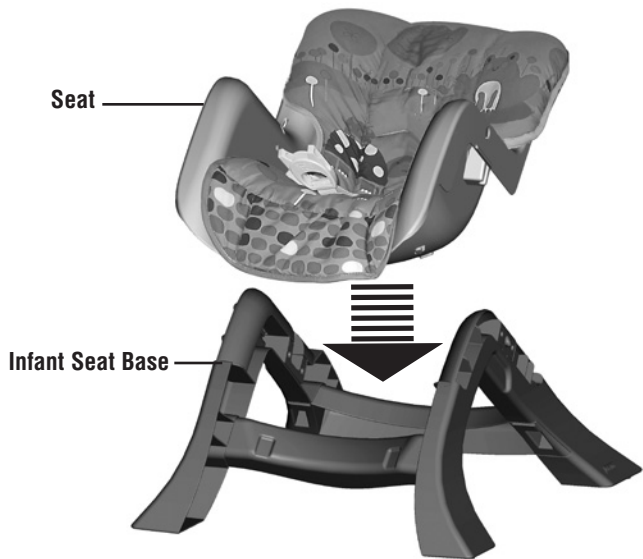
## WARNING

### To prevent serious injury or death:

#### • Fall Hazard

- Never use on any elevated surface, since child's movement may cause infant seat to slide or tip over. Use only on a floor.
- Never release seat from base with child in seat.

- **Suffocation Hazard** - Never use on a soft surface (bed, sofa, cushion), since infant seat may tip over and cause suffocation in soft surfaces.
- Always use restraint system.
- Never leave child unattended.
- The infant seat is not intended to replace a crib or bassinet for prolonged periods of sleep.
- Never use infant seat for a child able to sit up unassisted.
- Never attach infant seat to a chair.
- Never use as a carrier or lift while child is seated.



**Hint:** If you are converting to an infant seat from high chair, toddler seat or swing modes, remove the seat from the toddler seat base or swing seat base.

- Fit the seat onto the infant seat base.
- Push to “**snap**” the seat onto the base. **Pull up on the seat to be sure it is secure.**

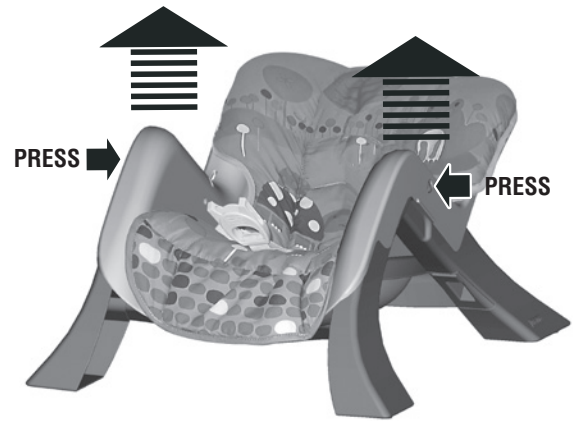


# Infant Swing Use

## WARNING

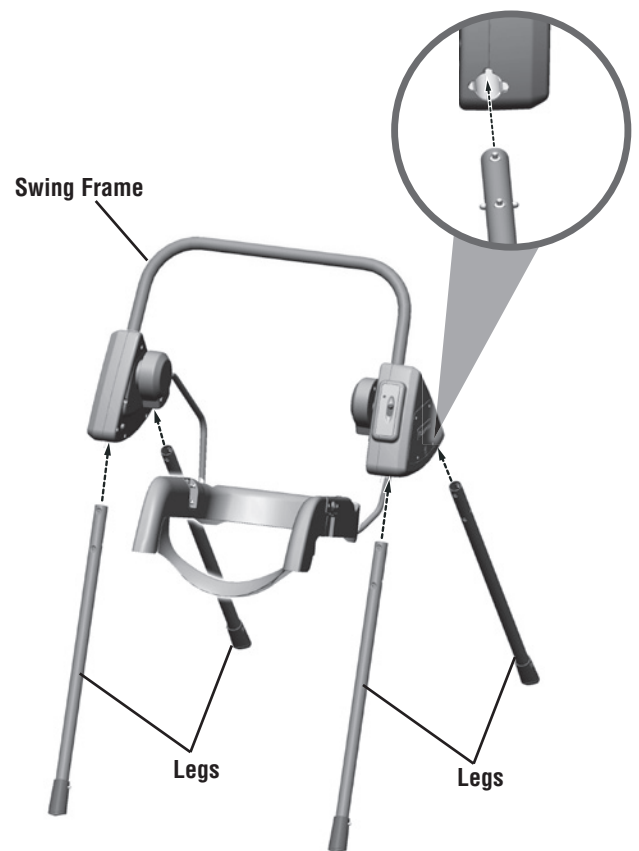
To prevent injury or death from falls and being strangled in the restraint system:

- Always use restraint system.
- Never use with an active child who may be able to climb out of swing.
- Never leave child unattended.
- Never release seat from frame with child in swing. Never carry child in seat.



*Hint: If you are converting to an infant swing from infant seat mode, follow this step.*

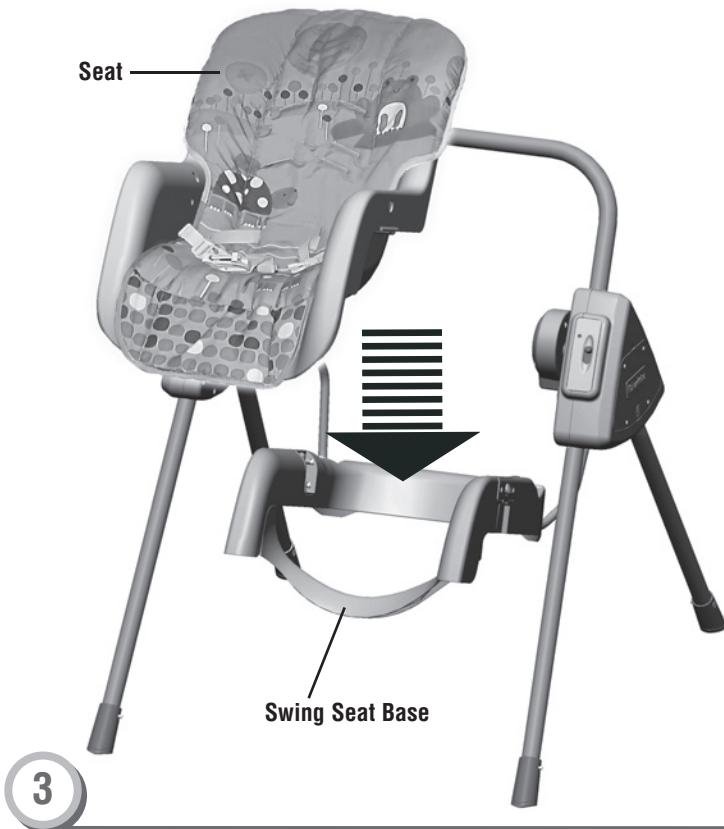
- Press the release buttons on each side of the seat.
- Lift the seat off the infant seat base.
- Set the infant seat base aside for future use.



*Hint: If you are converting to an infant swing from high chair mode, remove the legs from the toddler seat base.*

- Fit the legs into the holes in the bottom of the swing frame, as shown.
- Push to “snap” each leg in place. **Pull on each leg to be sure it is secure.**

# Infant Swing Use



**Hint:** If you are converting to an infant swing from high chair or toddler seat modes, remove the seat from the toddler seat base.

- Fit the seat onto the swing seat base.
- Push to “snap” the seat in place. **Pull up on the seat to be sure it is secure.**



- Slide the swing speed/power switch ON ●.
- Give the seat a light push to start the swinging motion.
- Adjust the swing speed/power switch to the desired swing motion setting.

### Hints:

- After turning on power, this product may not swing unless there is a child in the seat.
- As with most battery-power swings, a heavier child will reduce the amount of swinging motion on all settings. In most cases, the low setting works best for a smaller child while the higher setting works best for a heavier child.
- If swinging stops while using a lower setting, try a higher setting. Give the seat a light push to start the swinging motion again.
- Slide the swing speed/power switch OFF ○ when you are finished.



# High Chair Use

## WARNING

**To prevent serious injury or death from falls or sliding out:**

- Always secure child with restraint belts adjusted to fit your child snugly. The tray is not designed to hold child in high chair.
- Use only with a child who has enough upper body control to sit unassisted.
- Never leave child unattended.
- Never release seat from base with child in high chair. Never carry child in seat.



**Hint:** If you are converting to a high chair from swing mode, follow steps 1 and 2.

- Press the release buttons on each side of the seat.
- Lift the seat off the swing seat base.

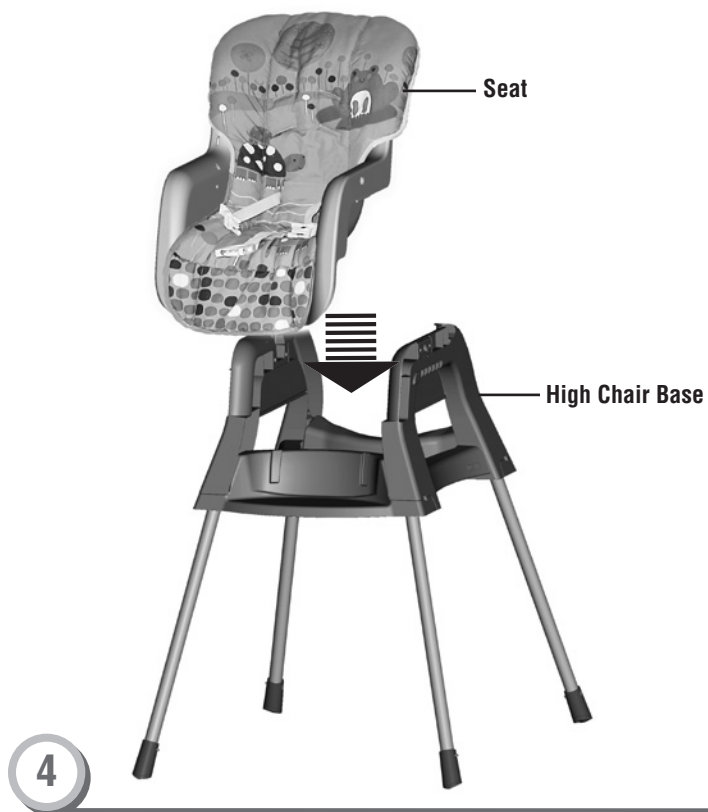


- Press the release buttons on the swing frame assembly and pull to remove the legs.



- Insert each of the legs into the holes in the toddler seat base.
- Push to “snap” each leg in place. **Pull on each leg to be sure it is secure.**

## High Chair Use



**Hint:** If you are converting to a high chair from infant seat mode, remove the seat from the infant seat base.

- Fit the seat onto the high chair base.
- Push to “snap” the seat in place. **Pull up on the seat to be sure it is secure.**



### Using the Tray

- Fit the tray onto the seat armrests. Push down until the tray “snaps” into place.

**Hint:** Before use, thoroughly wash all parts (the tray) that may contact food. The tray is not dishwasher or microwave safe.



- While pulling the release handles on the sides of the tray, adjust the tray forward or backward.



- While pulling the release handles on the sides of the tray, pull the tray towards you and lift to remove it from the seat.

# Toddler Seat Use

## WARNING

To prevent serious injury or death:

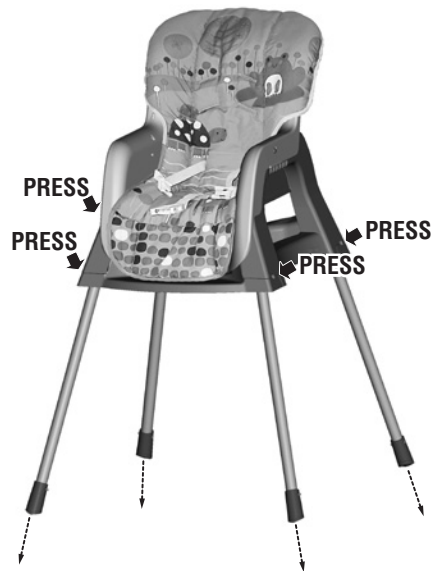
- **Fall Hazard**
  - Never use on any elevated surface, since child's movement may cause the product to slide or tip over. Use only on a floor.
  - Never release seat from base with child in seat.
- Use only with a child who is able to get in and out of the seat unassisted. Do not use restraint system.
- Never use as a carrier or lift while child is seated.
- Never attach toddler seat to a chair.



1

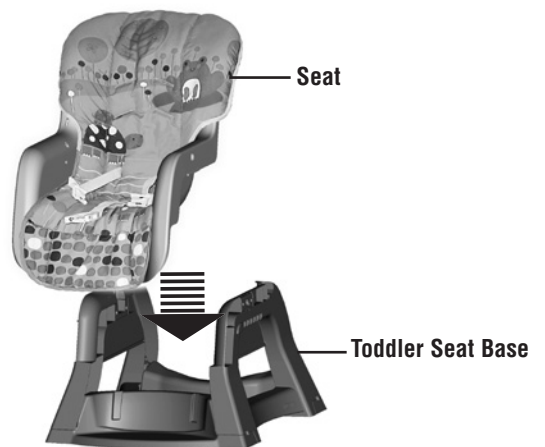
**Hint:** If you are converting to toddler seat from high chair mode, follow steps 1 and 2.

- While pulling the release handles on the sides of the tray, pull the tray towards you and lift to remove it from the seat.



2

- Press the release buttons near each leg and pull to remove each leg.



3

**Hint:** If you are converting to toddler seat from infant seat or swing modes, remove the seat from the infant seat base or swing seat base.

- Fit the seat onto the toddler seat base.
- Push to “**snap**” the seat onto the base. **Pull up on the seat to be sure it is secure.**

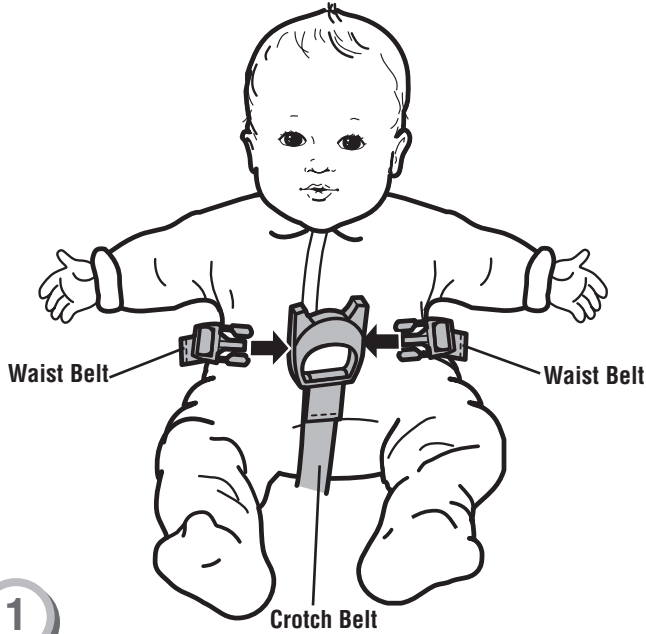


4

Restraint System

- Store the restraint system underneath the pad.
- Unbuckle the restraint system.
- Push the waist and crotch belts back through the slots in the pad.

# Infant Seat, Infant Swing and High Chair Restraint System Use

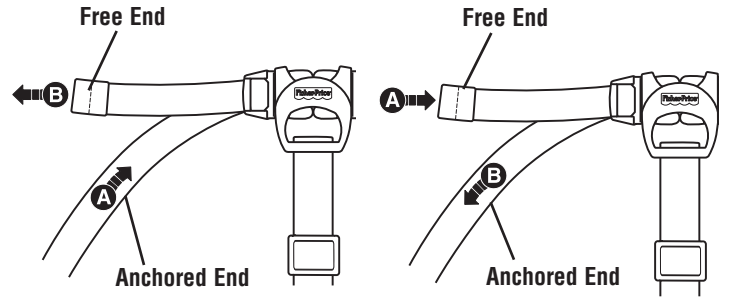


## Securing Your Infant

- Place your child in the seat. Position the crotch belt between your child's legs.
- Fasten the waist belts to the crotch belt. **Make sure you hear a "click" on both sides.**
- Tighten each waist belt so that the restraint system is snug against your child. Please refer to step 3 for instructions to tighten the waist belts.
- Check to be sure the restraint system is securely attached by pulling it away from your child. The restraint system should remain attached.



- Adjust the length of the crotch belt so that the waist belts rest on baby's belly button.
- Please refer to step 4 in this section for instructions on how to shorten or lengthen the crotch belt.



3

TIGHTEN

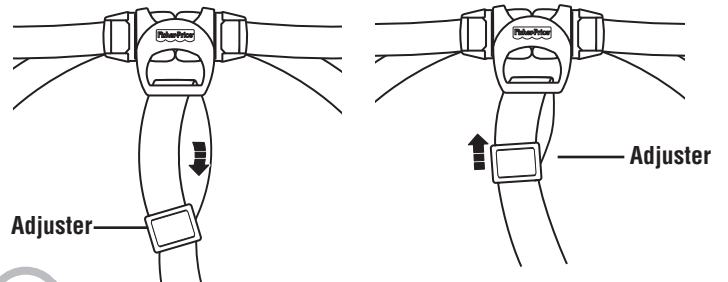
LOOSEN

## To tighten the waist belts:

- Feed the anchored end of the waist belt up through the buckle to form a loop **A**. Pull the free end of the waist belt **B**.

## To loosen the waist belts:

- Feed the free end of the waist belt up through the buckle to form a loop **A**. Enlarge the loop by pulling on the end of the loop toward the buckle. Pull the anchored end of the waist belt to shorten the free end of the waist belt **B**.



4

SHORTEN

LENGTHEN

## To shorten the crotch belt:

- Hold the adjuster and pull the rear crotch strap down.

## To lengthen the crotch belt:

- Slide the adjuster up.



**CONSUMER ASSISTANCE  
AYUDA AL CONSUMIDOR  
SERVICE À LA CLIENTÈLE**

1-800-432-5437 (US & Canada)

**service.fisher-price.com**

Fisher-Price, Inc., 636 Girard Avenue, East Aurora, NY 14052.

Hearing-impaired consumers/Cientes con problemas auditivos/  
Pour les malentendants: 1-800-382-7470.

*En México: 59-05-51-00 Ext. 5205 ó 01-800-463-59-89*

**CANADA**

Mattel Canada Inc., 6155 Freemont Blvd.,  
Mississauga, Ontario L5R 3W2; [www.service.mattel.com](http://www.service.mattel.com).

**MÉXICO**

Importado y distribuido por Mattel de México, S.A. de C.V.,  
Insurgentes Sur #3579, Torre 3, Oficina 601, Col. Tlalpan,  
Delegación Tlalpan, C.P. 14020, México, D.F. R.F.C. MME-920701-NB3.

**CHILI**

Mattel Chile, S.A., Avenida Américo Vespucio 501-B, Quilicura, Santiago, Chile.

**VENEZUELA**

Mattel de Venezuela, C.A., RIF J301596439, Ave. Mara, C.C. Macaracuay Plaza,  
Torre B, Piso 8, Colinas de la California, Caracas 1071.

**ARGENTINA**

Mattel Argentina, S.A., Curupaytí 1186, (1607) – Villa Adelina, Buenos Aires.

**COLOMBIA**

Mattel Colombia, S.A., calle 123#7-07 P.5, Bogotá.

Fisher-Price, Inc., a subsidiary of Mattel, Inc., East Aurora, New York 14052, U.S.A.

©2010 Mattel, Inc. All Rights Reserved.

® and ™ designate U.S. trademarks of Mattel, Inc.

Fisher-Price, Inc., une filiale de Mattel, Inc., East Aurora, New York 14052, É.-U.

©2010 Mattel, Inc. Tous droits réservés.

® et ™ désignent des marques de Mattel, Inc. aux É.-U.

PRINTED IN CHINA/IMPRIMÉ EN CHINE  
T3643pr-0920

## Free Manuals Download Website

<http://myh66.com>

<http://usermanuals.us>

<http://www.somanuals.com>

<http://www.4manuals.cc>

<http://www.manual-lib.com>

<http://www.404manual.com>

<http://www.luxmanual.com>

<http://aubethermostatmanual.com>

Golf course search by state

<http://golfingnear.com>

Email search by domain

<http://emailbydomain.com>

Auto manuals search

<http://auto.somanuals.com>

TV manuals search

<http://tv.somanuals.com>