



Fisher-Price®

R6070

IMPORTANT! Please keep these instructions for future reference.

Please read these instructions before assembly and use of this product.

Adult assembly is required.

No tools required for assembly.

www.fisher-price.com



? **CONSUMER ASSISTANCE**
AYUDA AL CONSUMIDOR
SERVICE À LA CLIENTÈLE
1-800-432-5437 (US & Canada)

service.fisher-price.com

Fisher-Price, Inc., 636 Girard Avenue, East Aurora, NY 14052.
Hearing-impaired consumers/Clientes con problemas auditivos/
Pour les malentendants: 1-800-382-7470.

In Mexico: 59-05-51-00 Ext. 5205 ó 01-800-463-59-89

CANADA

Mattel Canada Inc., 6155 Freemont Blvd., Mississauga, Ontario L5R 3W2.

Fisher Price, Inc., a subsidiary of Mattel, Inc., East Aurora, NY 14052 U.S.A.
©2009 Mattel, Inc. All Rights Reserved. © and ™ designate U.S. trademarks of Mattel, Inc.

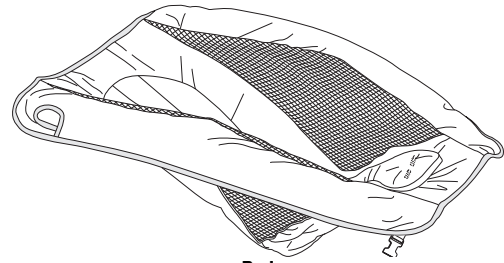


WARNING

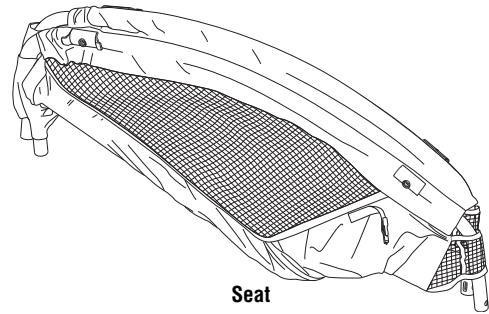
Failure to follow these warnings and the instructions could result in serious injury or death.

- ALWAYS use the restraint system.
- ALWAYS use the pad provided, which includes the restraint. NEVER add a mattress, pillow, comforter, or padding.
- **SUFFOCATION HAZARD** - Infants can suffocate:
 - in gaps between an extra pad and the side of the product.
 - on soft bedding.
- **FALL HAZARD** - To prevent falls, DO NOT use this product when the infant begins to push up on hands and knees, can pull up or sit unassisted or has reached 25 lb. (11 kg), whichever comes first.
- Strings can cause strangulation! NEVER place items with a string around a child's neck such as hood strings or pacifier cords. NEVER suspend strings over product or attach strings to toys.
- NEVER place product near a window where cords from blinds or drapes can strangle a child.
- To reduce the risk of Sudden Infant Death Syndrome (SIDS), pediatricians recommend healthy infants be placed on their backs to sleep, unless otherwise advised by your physician.

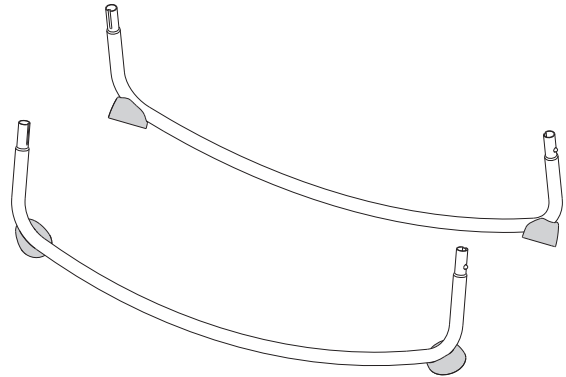
IMPORTANT! Before assembly and each use, inspect this product for damaged hardware, loose joints, missing parts or sharp edges. DO NOT use if any parts are missing or broken. Contact Fisher-Price® for replacement parts and instructions if needed. Never substitute parts.



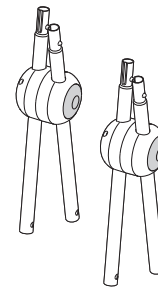
Pad



Seat



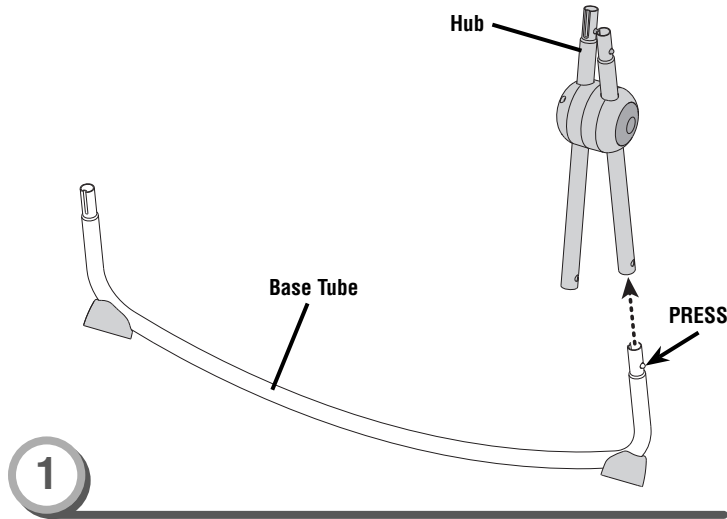
2 Base Tubes



2 Hubs

Assembly

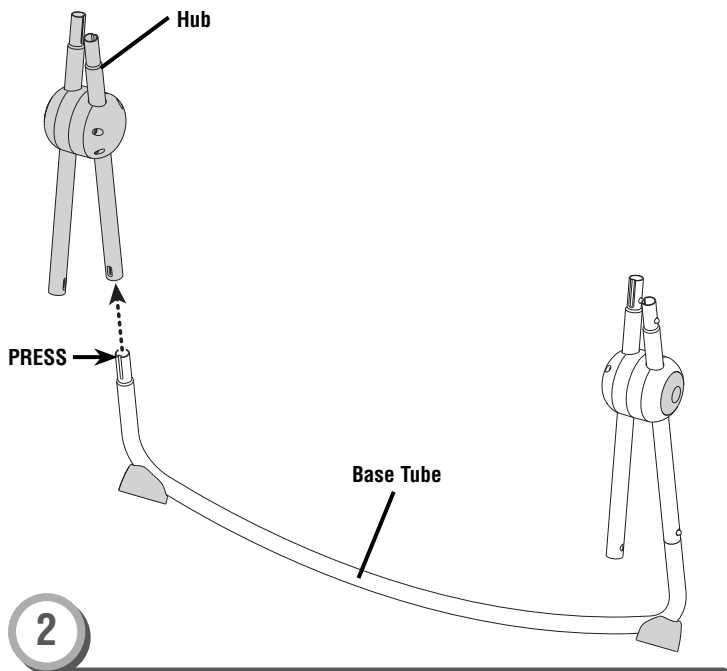
Hint: You may need the help of another adult to steady the product during assembly steps 1-4.



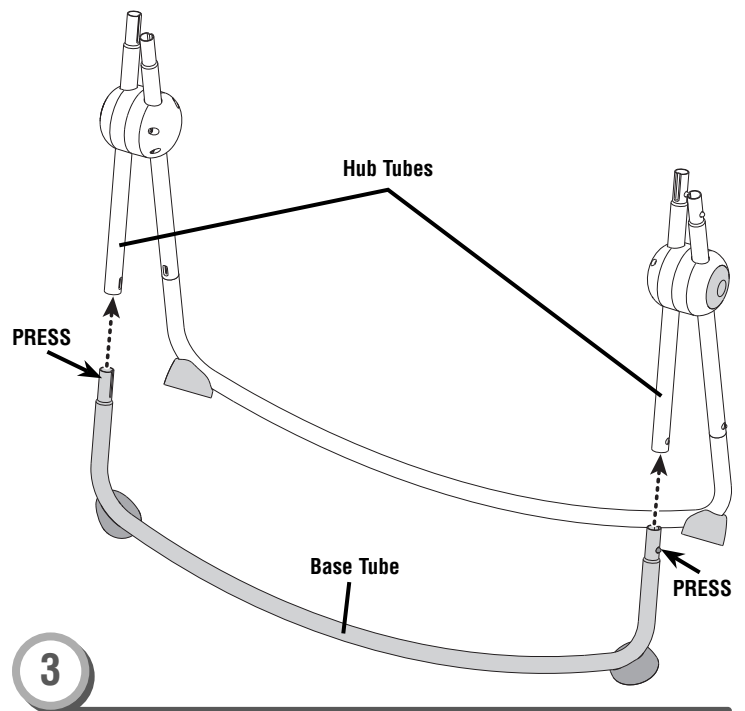
- While pressing the button on the end of one of the base tubes, fit it into a tube on one of the hubs, as shown.

Hint: Each hub is designed to fit on the base tubes one way. If one of the hub tubes does not seem to fit, try the other tube.

- Make sure the button on the base tube “snaps” into place. Pull up on the hub to be sure it is secure.

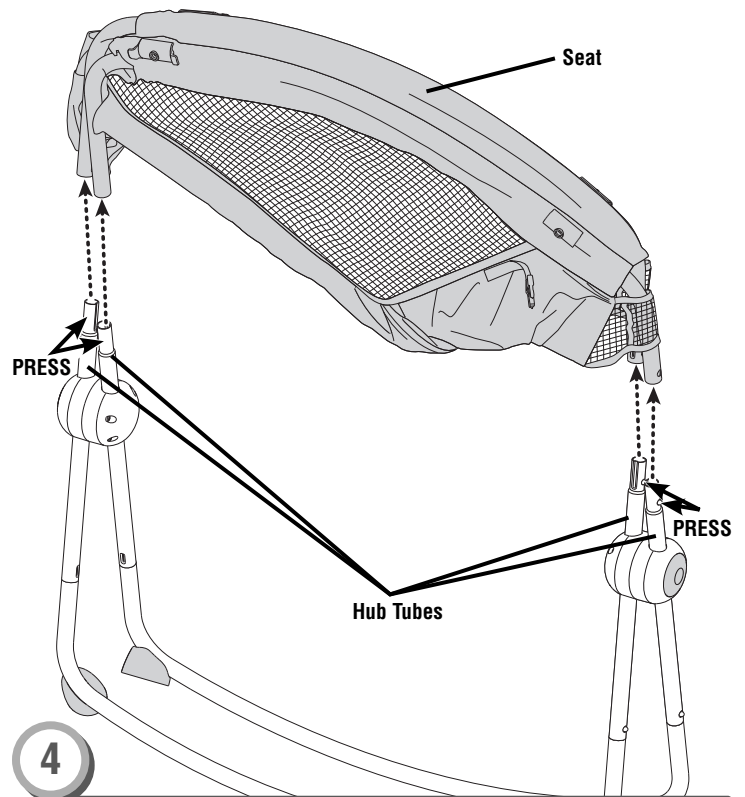


- While pressing the button on the other end of the base tube, fit it into a tube on the remaining hub, as shown.
- Make sure the button on the base tube “snaps” into place. Pull up on the hub to be sure it is secure.



- While pressing the buttons on the remaining base tube ends, fit them into the remaining hub tubes.

Hint: Each hub is designed to fit onto the base one way. If either does not seem to fit, turn the base around and try again!

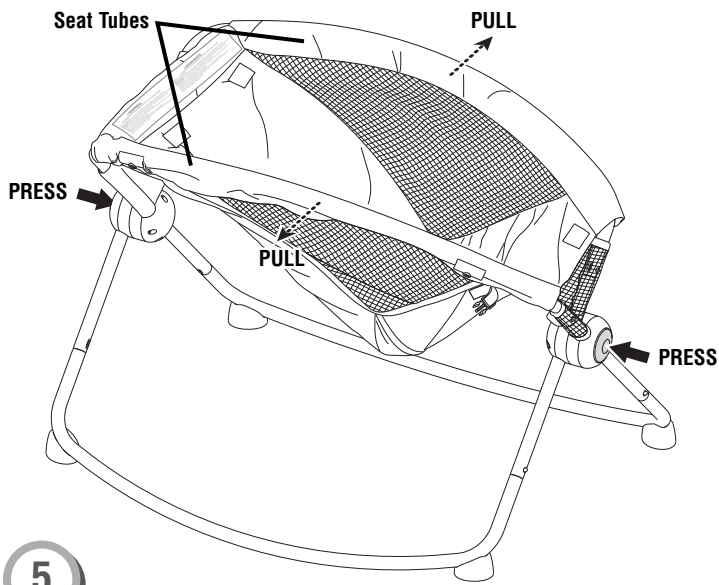


- While pressing the buttons on the hub tubes, insert them into the tubes on the seat.

Hint: The seat is easier to assemble if the base remains in its folded position.

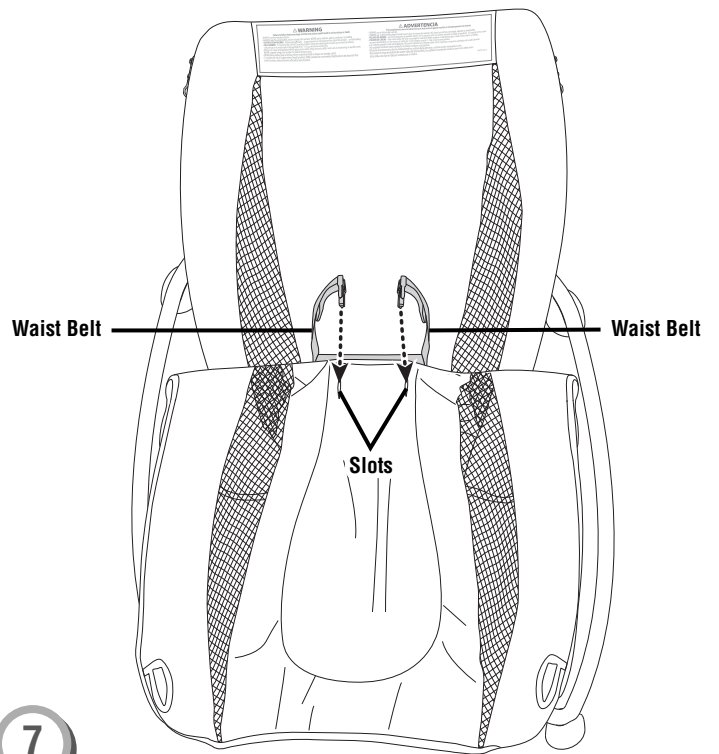
- Make sure each button on the hub tubes “snaps” into place. Pull up on the seat to be sure it is secure to all four base hub tubes.

Assembly



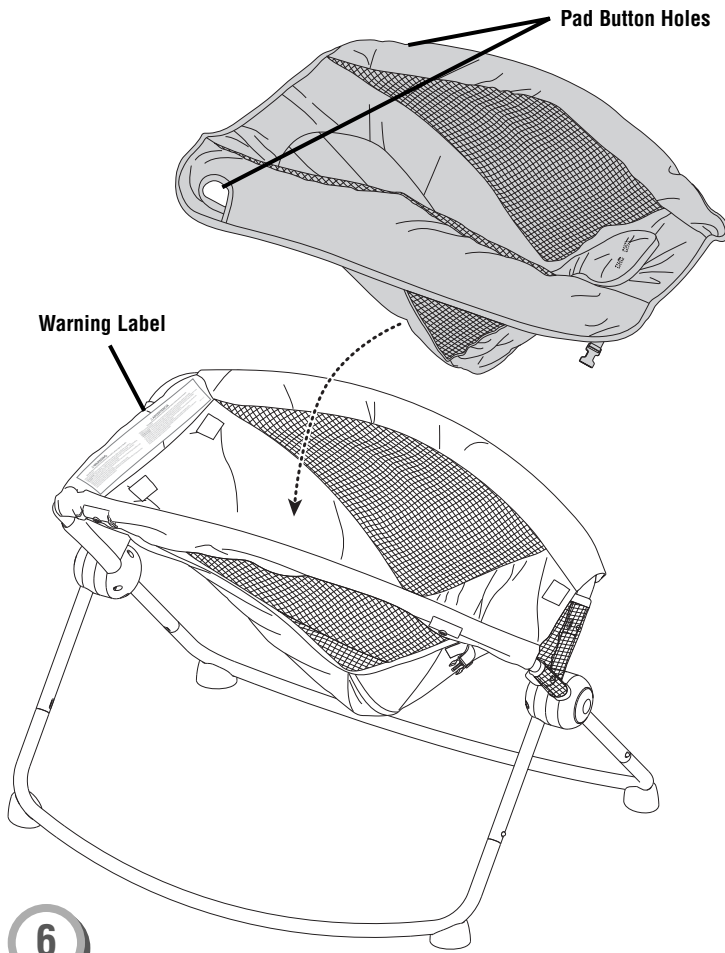
5

- Press the button on each hub and pull apart the seat tubes.
- Make sure you hear a "click" on each end.



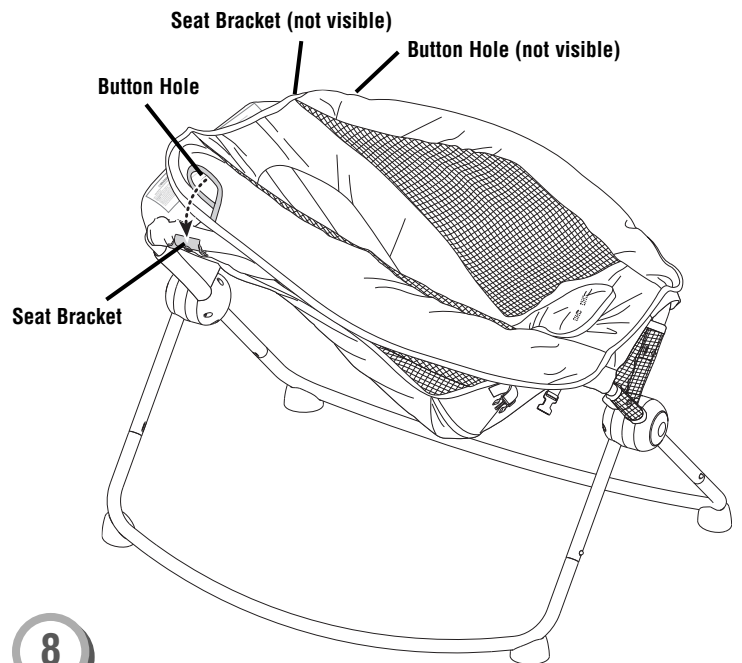
7

- Fold the top of the pad down and insert the waist belts through the slots in the pad. Make sure the waist belts are not twisted.



6

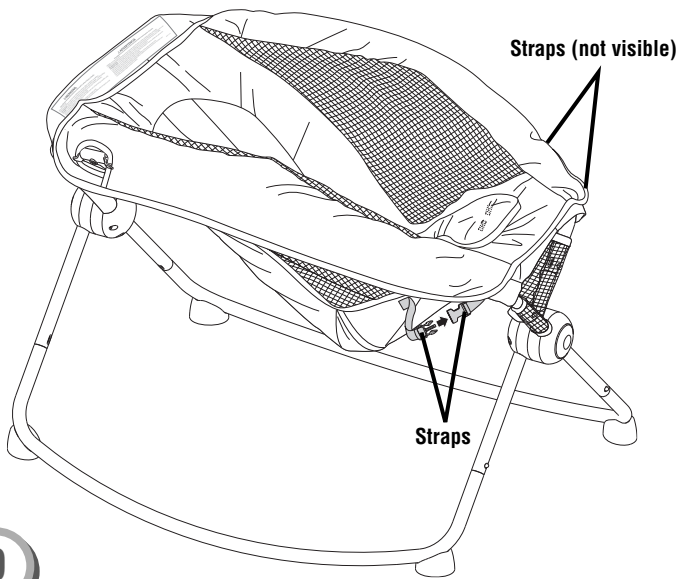
- Position the pad so that the button holes are toward the warning label on the seat.
- Place the pad on the seat.



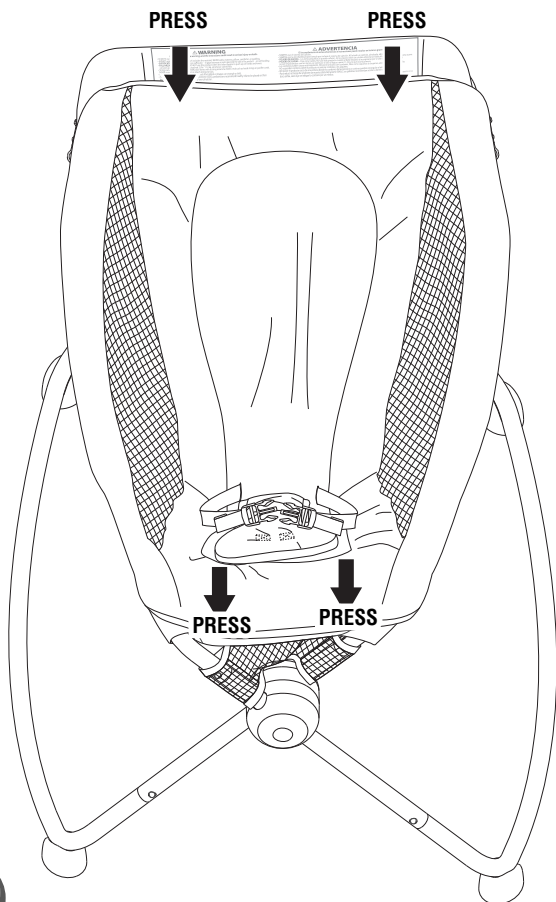
8

- Fold the top of the pad up to fit it back into the seat.
- Fit the button holes on the pad around the brackets on the seat.

Assembly



- Pull the bottom of the pad around the seat.
- Buckle the straps on the pad to the straps on the seat. Make sure you hear a "click" on both sides.



- Press the pad edges onto the fasteners on the seat.

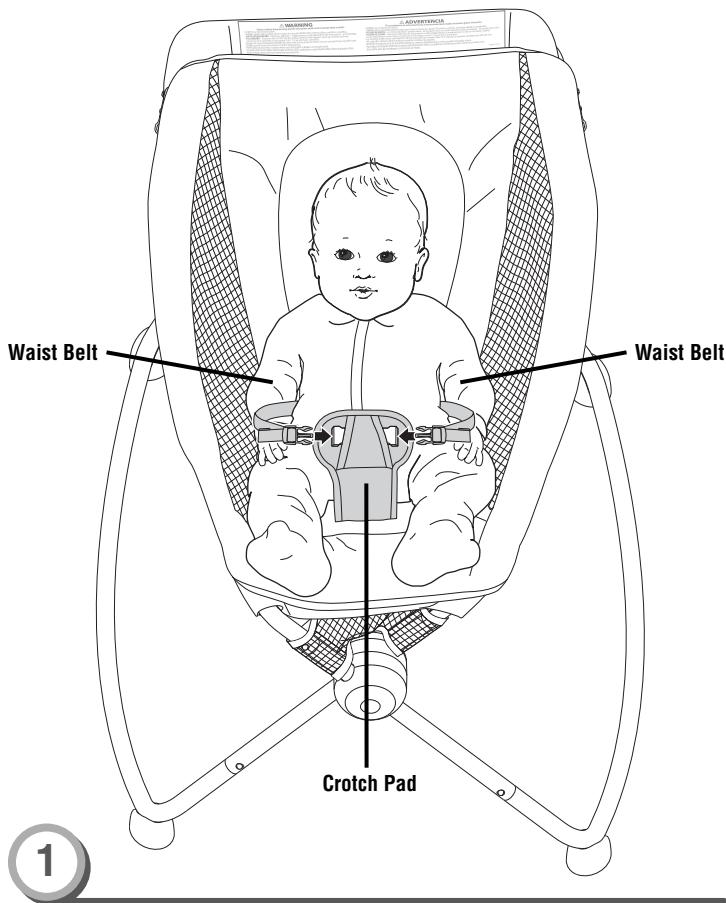
Securing Your Child

WARNING

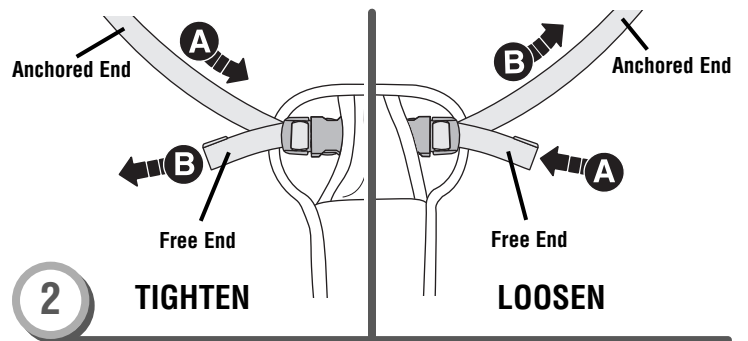
Failure to follow these warnings and the instructions could result in serious injury or death.

- ALWAYS use the restraint system.
- ALWAYS use the pad provided, which includes the restraint. NEVER add a mattress, pillow, comforter, or padding.
- **SUFFOCATION HAZARD** - Infants can suffocate:
 - in gaps between an extra pad and the side of the product.
 - on soft bedding.
- **FALL HAZARD** - To prevent falls, DO NOT use this product when the infant begins to push up on hands and knees, can pull up or sit unassisted or has reached 25 lb. (11 kg), whichever comes first.
- Strings can cause strangulation! NEVER place items with a string around a child's neck such as hood strings or pacifier cords. NEVER suspend strings over product or attach strings to toys.
- NEVER place product near a window where cords from blinds or drapes can strangle a child.
- To reduce the risk of Sudden Infant Death Syndrome (SIDS), pediatricians recommend healthy infants be placed on their backs to sleep, unless otherwise advised by your physician.

Securing Your Child



- Place your child in the seat.
- Position the crotch pad between your child's legs.
- Fasten both waist belts to the crotch pad. Make sure you hear a “click” on both sides.
- Tighten each waist belt so that the restraint system is snug against your child. Please refer to the next section for instructions to tighten the waist belts.
- Check to be sure the restraint system is securely attached by pulling it away from your child. The restraint system should remain attached.



To tighten the waist belts:

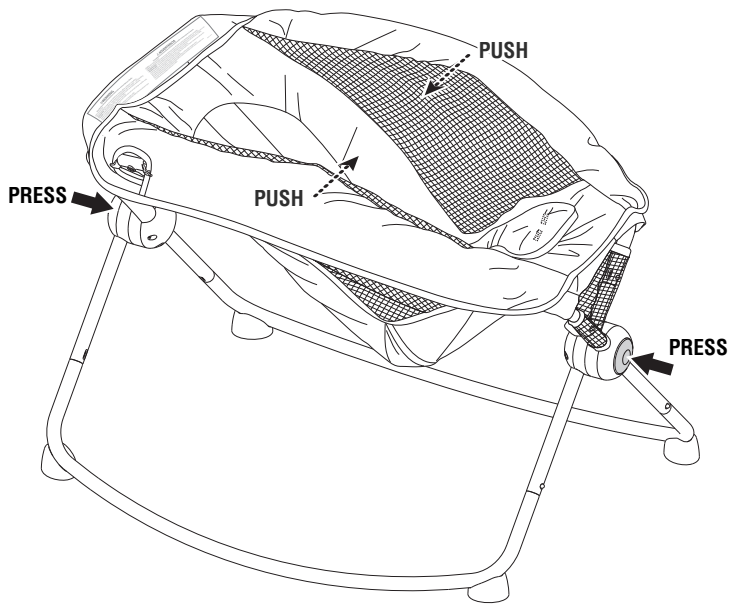
- Feed the anchored end of the waist belt up through the buckle to form a loop **A**. Pull the free end of the waist belt **B**.

To loosen the waist belts:

- Feed the free end of the waist belt up through the buckle to form a loop **A**. Enlarge the loop by pulling on the end of the loop toward the buckle. Pull the anchored end of the waist belt to shorten the free end of the waist belt **B**.

Note: Check to be sure the restraint is securely attached by pulling it away from your child.

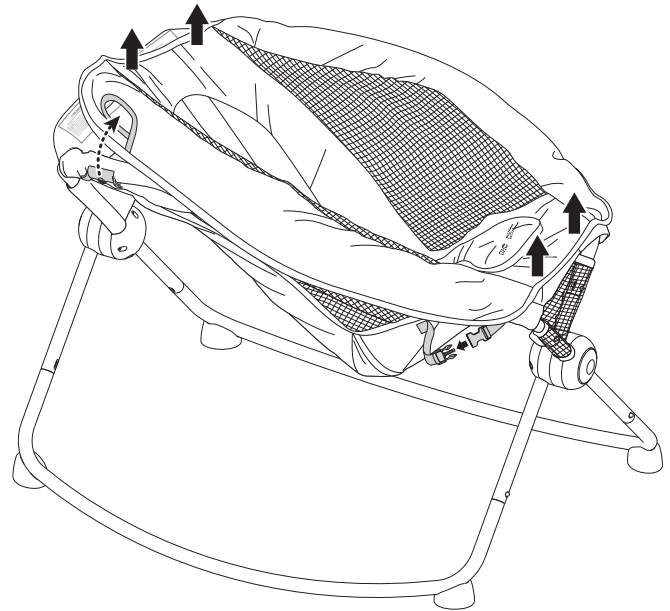
Storage



- Press the button on each hub and push the seat tubes together.
- Lean against a wall for storage.

Care

- The pad and toy are machine washable. Wash separately in cold water on the gentle cycle. Do not use bleach. Tumble dry the pad separately on low heat and remove promptly.
- The frame may be wiped clean using a mild cleaning solution and a damp cloth. Do not use bleach. Do not use harsh or abrasive cleaners. Rinse clean with water to remove residue.



To remove the pad:

- Unbuckle the restraint system.
- Unfasten the pad button holes from the seat brackets.
- Unbuckle the straps on the pad and the seat.
- Pull the pad off the fasteners.
- Pull the restraint system down through the slots in the pad. Remove the pad from the seat.
- To replace the pad, follow the assembly instructions.

Free Manuals Download Website

<http://myh66.com>

<http://usermanuals.us>

<http://www.somanuals.com>

<http://www.4manuals.cc>

<http://www.manual-lib.com>

<http://www.404manual.com>

<http://www.luxmanual.com>

<http://aubethermostatmanual.com>

Golf course search by state

<http://golfingnear.com>

Email search by domain

<http://emailbydomain.com>

Auto manuals search

<http://auto.somanuals.com>

TV manuals search

<http://tv.somanuals.com>