



Please keep this instruction sheet for future reference, as it contains important information.

Requires three "C" (LR14) **alkaline** batteries (not included).

Adult assembly is required.

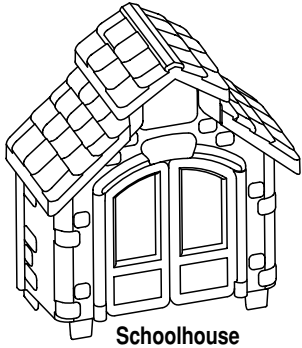
Tool required for battery installation: Phillips screwdriver (not included).



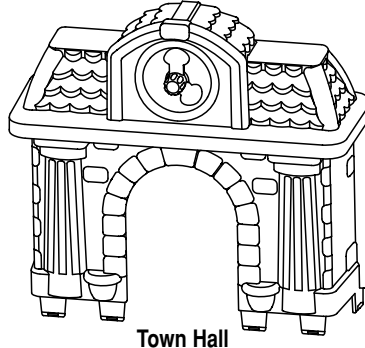
www.fisher-price.com

Discovery Village™

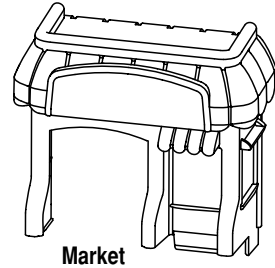
Parts



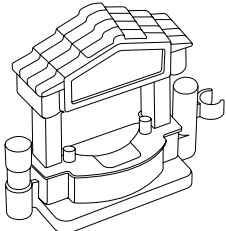
Schoolhouse



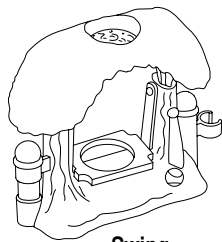
Town Hall



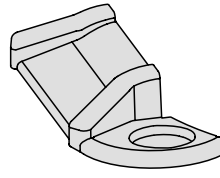
Market



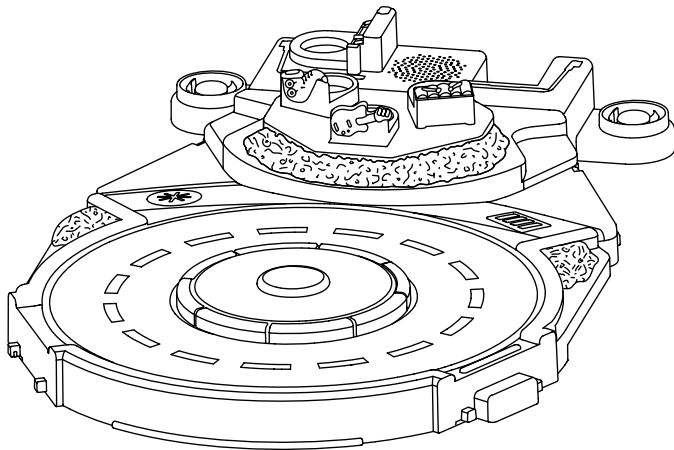
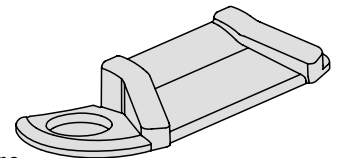
Food Stand



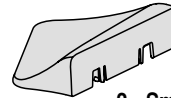
Swing



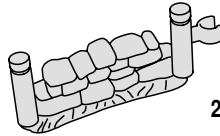
2 - Large Ramps



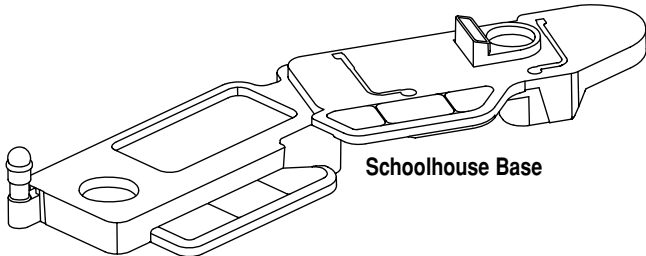
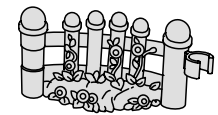
Main Base



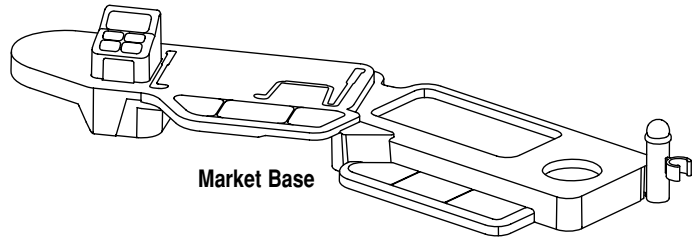
2 - Small Ramps



2 Fences



Schoolhouse Base



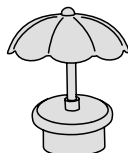
Market Base



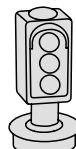
Playground Airplane Ride



Fire Hydrant



Umbrella Table



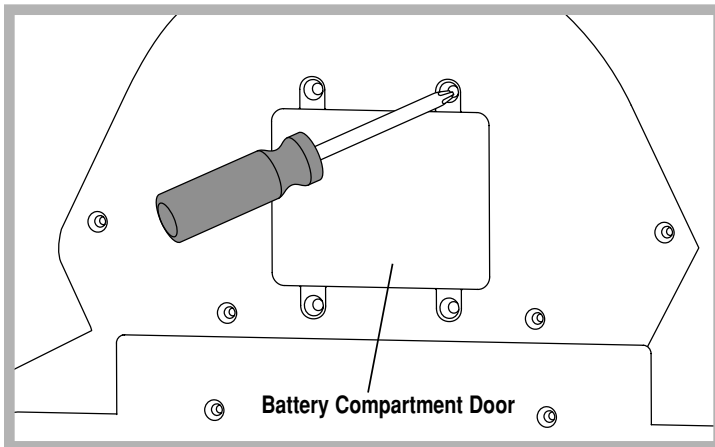
Traffic Signal



Fountain

Parts Not Shown:
 3 Figures
 Car
 Grocery Bag
 Skateboard
 Wagon

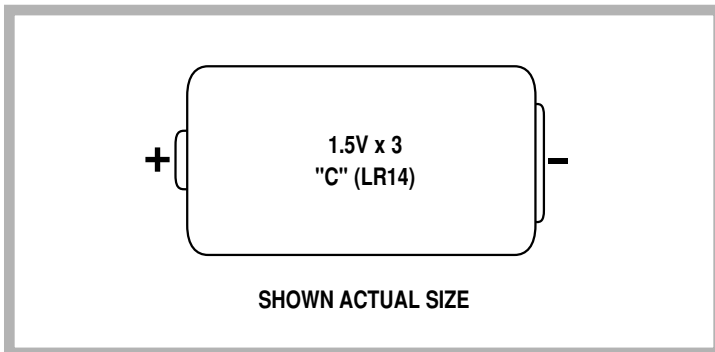
Battery Installation



- Locate the battery compartment on the bottom of the main base.
- Loosen the screws in the battery compartment door with a Phillips screwdriver. Remove the battery compartment door.
- Insert three "C" (LR14) **alkaline** batteries, as indicated inside the battery compartment.

*Hint: We recommend using **alkaline** batteries for longer life.*

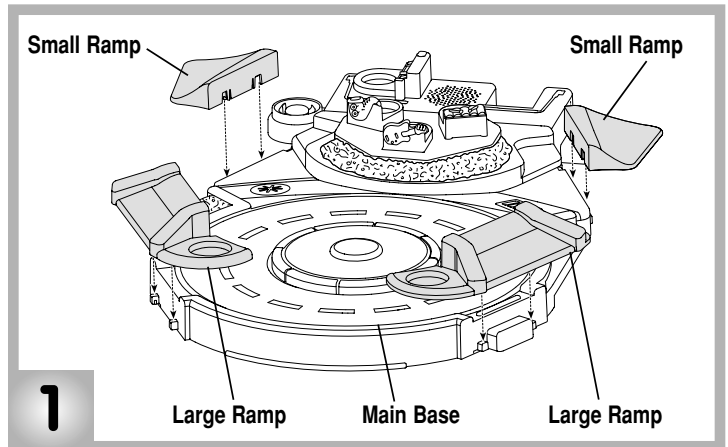
- Replace the battery compartment door and tighten the screws with a Phillips screwdriver. Do not over-tighten.
- When sounds or motions from this toy become faint or stop, it's time for an adult to change the batteries!



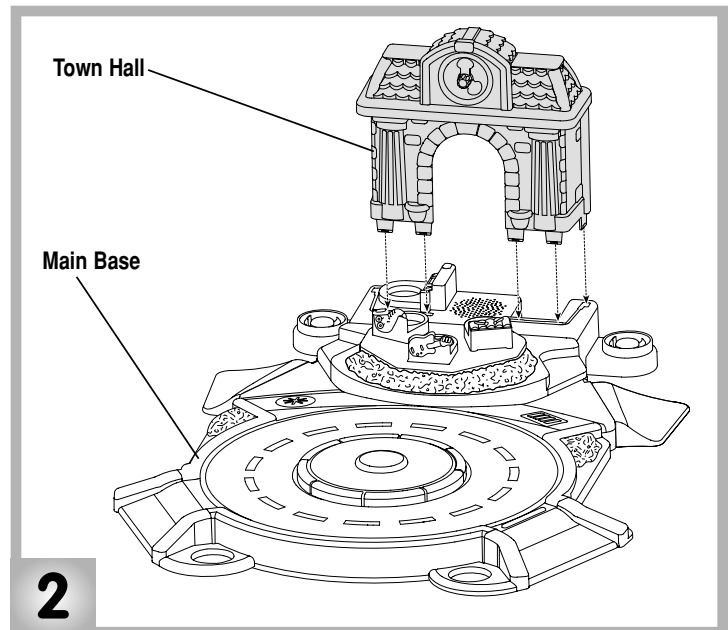
Batteries may leak fluids that can cause a chemical burn injury or ruin your toy. To avoid battery leakage:

- Do not mix old and new batteries or batteries of different types: alkaline, standard (carbon-zinc) or rechargeable (nickel-cadmium).
- Insert batteries as indicated inside the battery compartment.
- Remove batteries during long periods of non-use. Always remove exhausted batteries from the toy. Dispose of batteries safely. Do not dispose of batteries in a fire. The batteries may explode or leak.
- Never short-circuit the battery terminals.
- Use only batteries of the same or equivalent type, as recommended.
- Do not charge non-rechargeable batteries.
- Remove rechargeable batteries from the toy before charging.
- If removable, rechargeable batteries are used, they are only to be charged under adult supervision.

Assembly



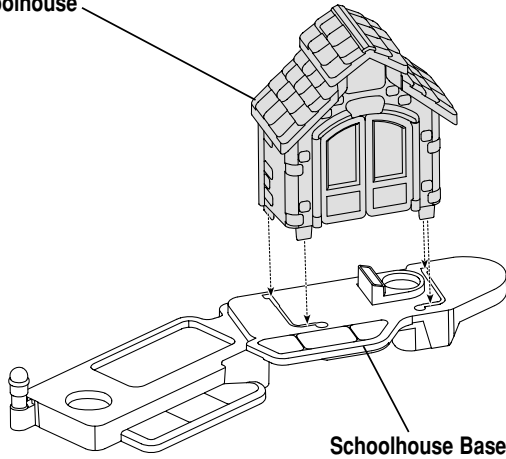
- Press and fit the two small ramps on to the main base.
- Press and fit the two large ramps on to the main base.



- Place the main base on a hard flat surface.
- **"Snap"** the Town Hall into the main base.

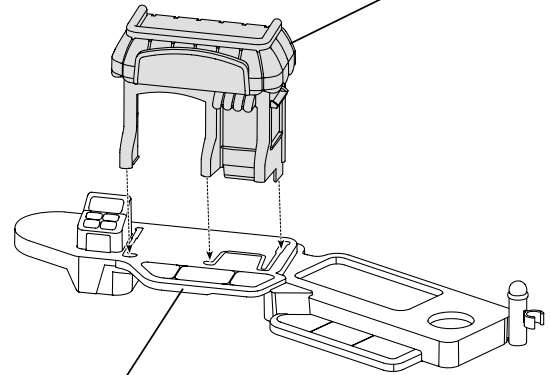
Assembly

Schoolhouse



Schoolhouse Base

Market



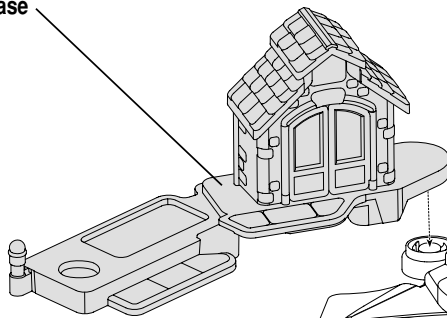
Market Base

3

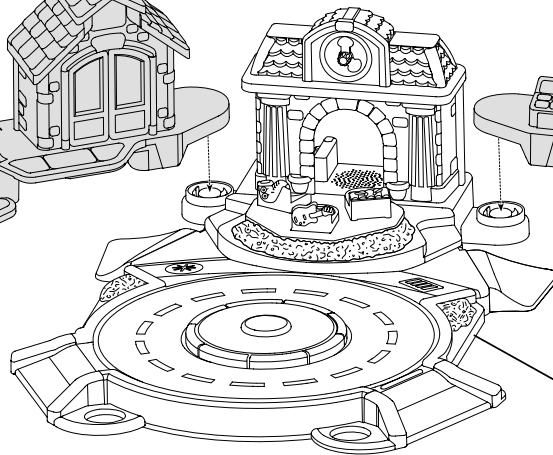
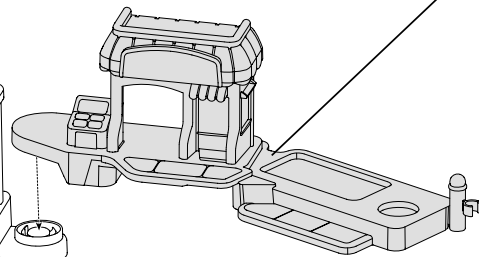
- “Snap” the schoolhouse into the schoolhouse base.

- “Snap” the market into the market base.

Schoolhouse Base



Market Base

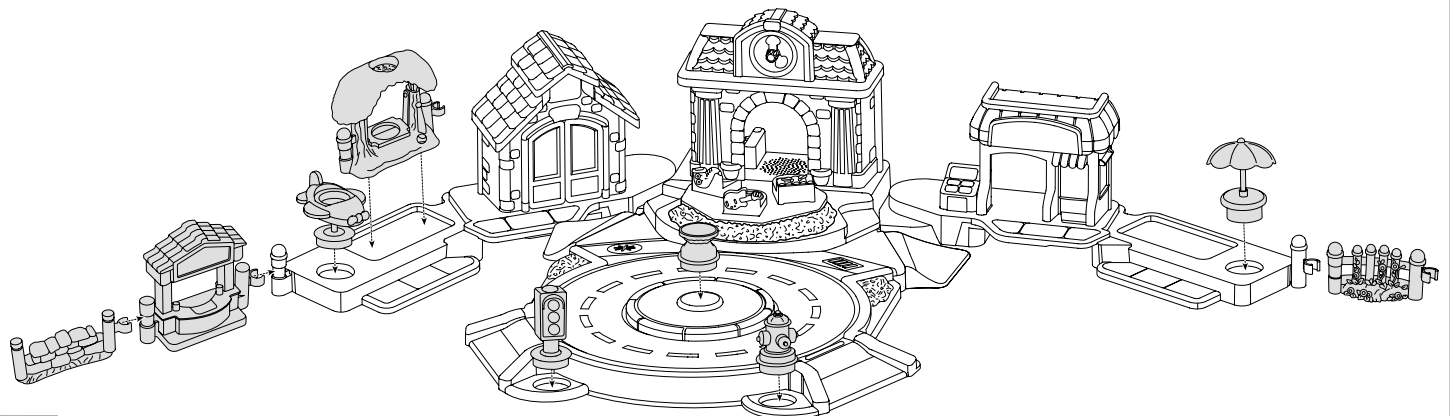


Main Base

4

- “Snap” the end of the schoolhouse base onto the main base, as shown.
- “Snap” the end of the market base onto the main base, as shown.

5



- You can place accessories at various locations around the village.

Fun Sounds All Around Town!

- Place a figure in the xylophone, guitar or saxophone stand to hear the sound of that instrument. Place another figure to join in on the song.

- Press the desk to hear the A-B-C song.



- Press the cash register outside the market to hear it ring.



Power Switch



- Locate the power switch on the bottom of the main base.
- Slide the switch to the ● position to turn the toy on.
- Slide the switch to off ○ position when you are finished with the toy.



- Roll the car over the ramp button and up on to the roadway. The roadway and sidewalk spin with fun music.

Consumer Information

Questions? We'd like to hear from you!

Call Fisher-Price® Consumer Relations, toll-free at **1-800-432-5437**, 8 AM - 6 PM EST Monday through Friday. Hearing-impaired consumers using TTY/TDD equipment, please call 1-800-382-7470.

Or, write to:

Fisher-Price® Consumer Relations
636 Girard Avenue
East Aurora, New York 14052, U.S.A.

For countries outside the United States:

CANADA

Questions? **1-800-567-7724**, Mattel Canada Inc., 6155 Freemont Blvd., Mississauga, Ontario L5R 3W2.

GREAT BRITAIN

Mattel UK Ltd. Vanwall Business Park, Maidenhead SL6 4UB. Helpline: 01628 500302.

AUSTRALIA

Mattel Australia Pty. Ltd., 658 Church Street, Locked Bag #870, Richmond, Victoria 3121 Australia. Consumer Advisory Service 1300 135 312.

NEW ZEALAND

16-18 William Pickering Drive, Albany 1331, Auckland.

ASIA

Mattel East Asia Ltd, Room 1106, South Tower, World Finance Centre, Harbour City, Tsimshatsui, HK, China.

Care

- Wipe this toy with a clean cloth dampened with a mild soap and water solution. Do not immerse this toy.
- This toy has no consumer serviceable parts. Do not take this toy apart.

FCC Statement (United States Only)

Note: This equipment has been tested and found to comply with the limits for a Class B digital device, pursuant to Part 15 of the FCC Rules. These limits are designed to provide reasonable protection against harmful interference in a residential installation. This equipment generates, uses and can radiate radio frequency energy and, if not installed and used in accordance with the instructions, may cause harmful interference to radio communications. However, there is no guarantee that interference will not occur in a particular installation. If this equipment does cause harmful interference to radio or television reception, which can be determined by turning the equipment off and on, the user is encouraged to try to correct the interference by one or more of the following measures:

- Reorient or relocate the receiving antenna.
- Increase the separation between the equipment and receiver.
- Consult the dealer or an experienced radio/TV technician for help.

Note: Changes or modifications not expressly approved by the manufacturer responsible for compliance could void the user's authority to operate the equipment.

Free Manuals Download Website

<http://myh66.com>

<http://usermanuals.us>

<http://www.somanuals.com>

<http://www.4manuals.cc>

<http://www.manual-lib.com>

<http://www.404manual.com>

<http://www.luxmanual.com>

<http://aubethermostatmanual.com>

Golf course search by state

<http://golfingnear.com>

Email search by domain

<http://emailbydomain.com>

Auto manuals search

<http://auto.somanuals.com>

TV manuals search

<http://tv.somanuals.com>