

# ESPN Shot Block™

B A S K E T B A L L

Fisher-Price®

## Owner's Manual

Model H4685



# TABLE OF CONTENTS

<b>Important Information</b> .....	<b>3</b>
<b>Parts</b> .....	<b>4</b>
<b>Battery Installation</b> .....	<b>6</b>
<b>Decoration</b> .....	<b>7</b>
<b>Assembly Tip</b> .....	<b>8</b>
<b>Assembly</b> .....	<b>9</b>
<b>Game Play</b> .....	<b>25</b>
<b>Free Play</b> .....	<b>26</b>
<b>Beat the "D"<sup>™</sup></b> .....	<b>26</b>
<b>Sizzling Shot Clock<sup>™</sup></b> .....	<b>27</b>
<b>One on One</b> .....	<b>27</b>
<b>Folding the Chute</b> .....	<b>28</b>
<b>Storage</b> .....	<b>30</b>
<b>Troubleshooting Guide</b> .....	<b>34</b>
<b>Consumer Information</b> .....	<b>35</b>



## CAUTION

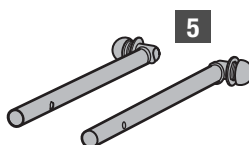
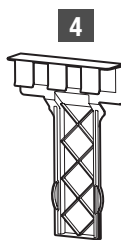
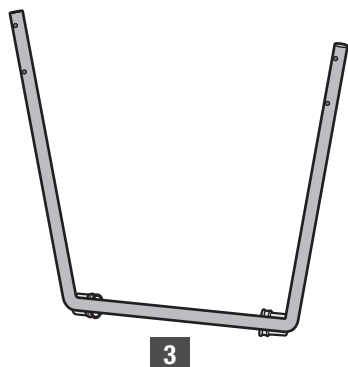
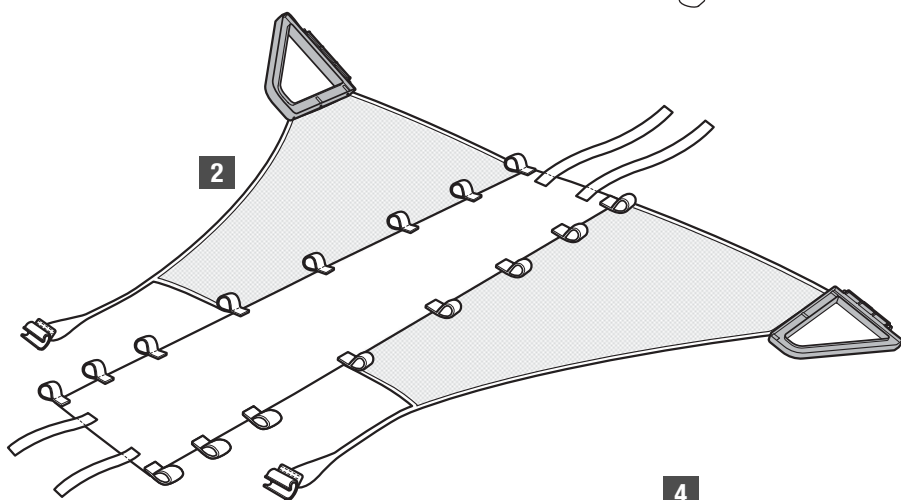
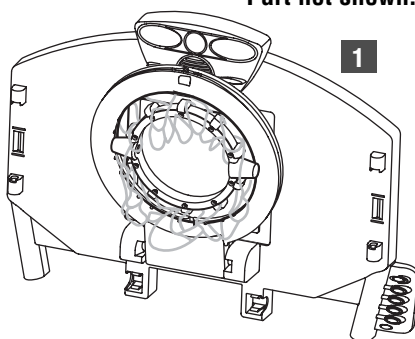
This product contains small parts  
in its unassembled state.  
Adult assembly is required.

- Please keep this Owner's Manual for future reference, as it contains important information.
- Adult assembly is required. You may need the assistance of another adult to complete assembly.
- Do not use Shot Block™ Basketball in a room with direct sunlight. Do not use Shot Block™ Basketball outdoors.
- Tool required for assembly: Phillips screwdriver (not included).
- You may find it helpful to use an adjustable wrench to hold the M5 lock nuts while tightening the M5 bolts.
- Requires four, "C" (LR14) **alkaline** batteries (not included) for operation. Each fresh set of batteries should last approximately 15 hours (of continuous use).
- Please identify all parts before assembly and save all packaging material until assembly is complete to ensure that no parts are discarded.
- If you experience a problem, or are missing a part, please visit us on-line at **[www.service.fisher-price.com](http://www.service.fisher-price.com)**. Or call, **1-800-432-5437 rather than return this product to the store.**
- Use only the basketballs supplied with this product. Do not use with regulation size (actual) basketballs.

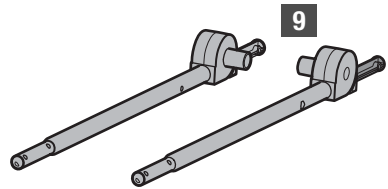
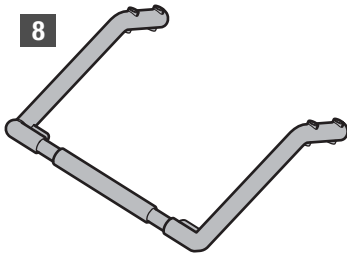
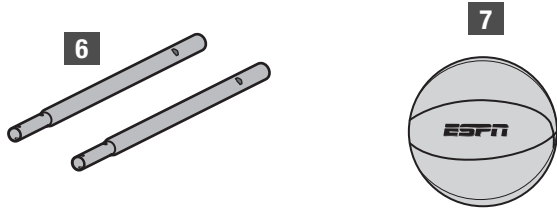
# PARTS

1	Backboard
2	Chute
3	U Tube
4	Door Clip
5	2 Pivot Tubes (Left and Right)

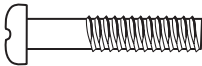
Part not shown: Label Sheet



6	2 Tubes (Left and Right)
7	2 Basketballs
8	Handle
9	2 Hinge Tubes (Left and Right)



**Tip: All fasteners shown actual size.**



**M5 x 23 mm Bolt – 8**



**M5 Lock Nut – 8**

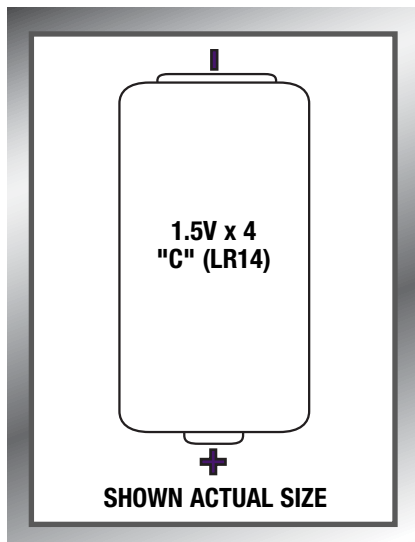
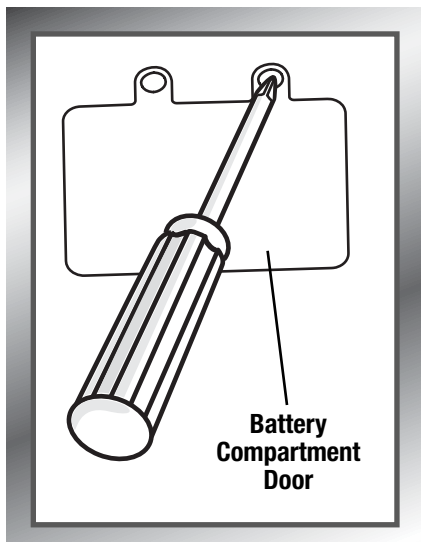


**#8 x 1" Screw – 4**

**Note: Tighten and loosen all bolts and screws with a Phillips screwdriver. Do not over-tighten the fasteners. We've included extra fasteners for your convenience!**

# BATTERY INSTALLATION

**Tip: We recommend the use of alkaline batteries for longer battery life!**



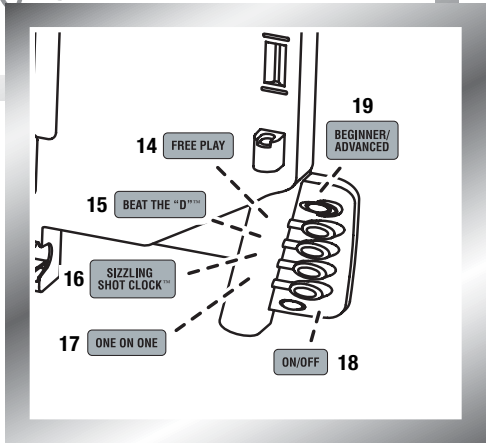
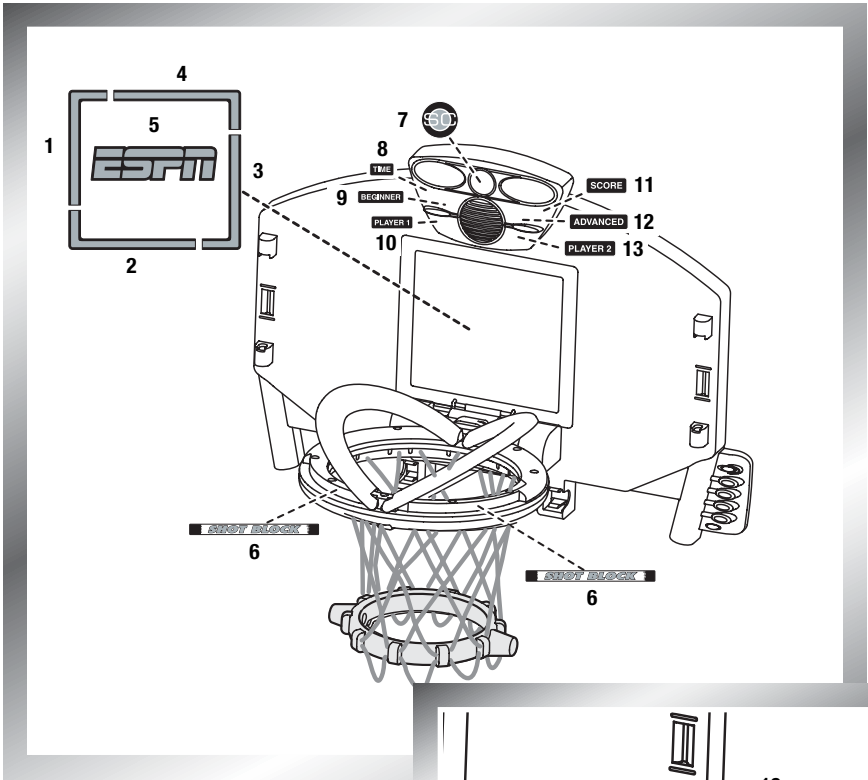
- Loosen the screws in the battery compartment door on the back of the backboard. Remove the battery compartment door.
- Insert four "C" (LR14) **alkaline** batteries.
- Replace the battery compartment door and tighten the screws.

**Tip: When sounds, lights or movement become faint, sluggish or stop, it's time for an adult to change the batteries!**

## **BATTERY SAFETY INFORMATION**

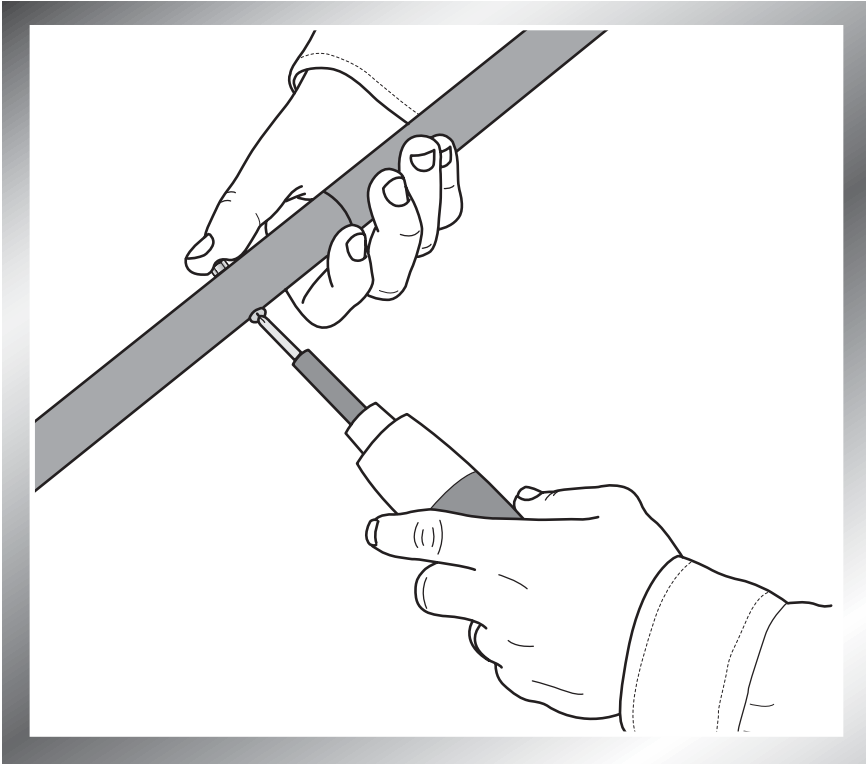
In exceptional circumstances, batteries may leak fluids that can cause a chemical burn injury or ruin your product. To avoid battery leakage:

- Do not mix old and new batteries or batteries of different types: alkaline, standard (carbon-zinc) or rechargeable (nickel-cadmium).
- Insert batteries as indicated inside the battery compartment.
- Remove batteries during long periods of non-use. Always remove exhausted batteries from the product. Dispose of batteries safely. Do not dispose of batteries in a fire. The batteries may explode or leak.
- Never short-circuit the battery terminals.
- Use only batteries of the same or equivalent type, as recommended.
- Do not charge non-rechargeable batteries.
- Remove rechargeable batteries from the product before charging.
- If removable, rechargeable batteries are used, they are only to be charged under adult supervision.



- Before applying the labels, wipe all surfaces with a clean, dry cloth to remove any dust or oils.
- Apply the labels as indicated in the illustrations.

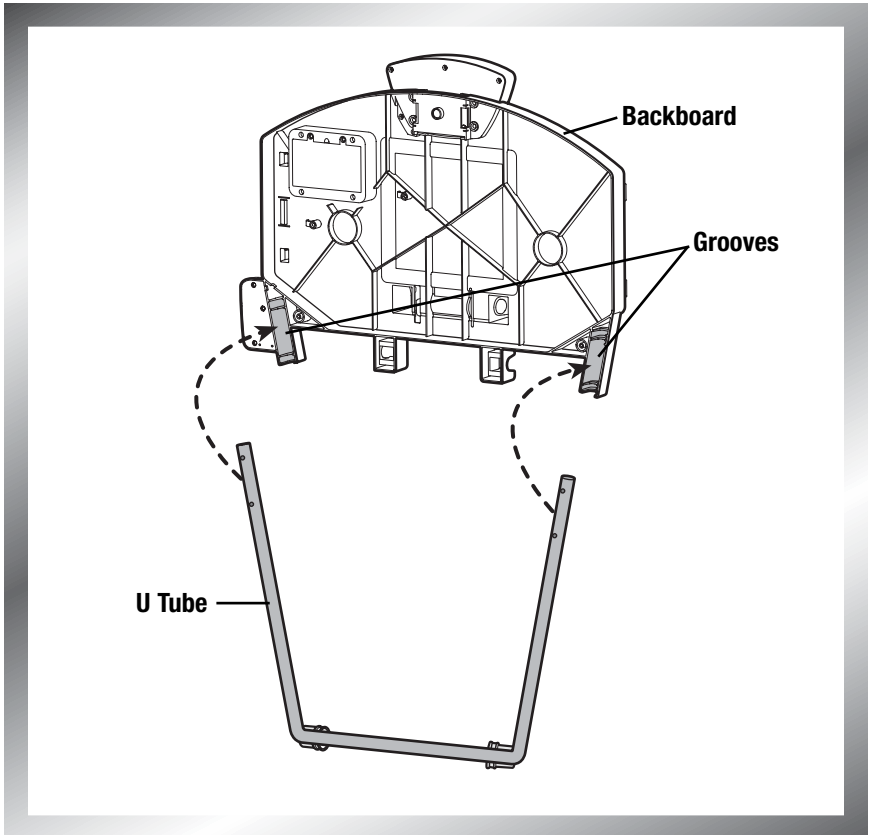
# ASSEMBLY TIP



- When tightening bolts in tubes, you will need to press the lock nut into the opposite side of the tube (the hex hole). Place your thumb on the lock nut while tightening bolt with a Phillips screwdriver.

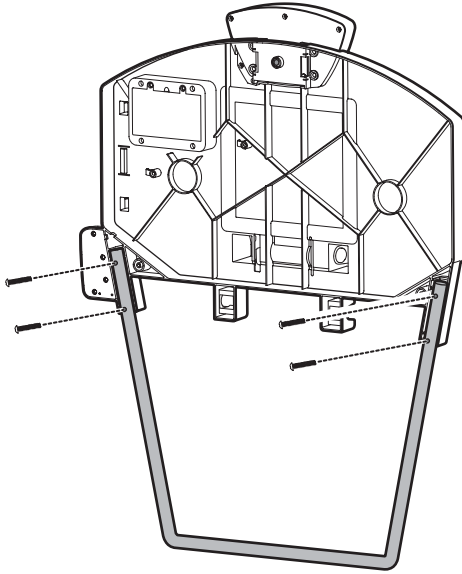
**Tip:** You may want to use an adjustable wrench to hold the lock nut in place.





## **STEP 1**

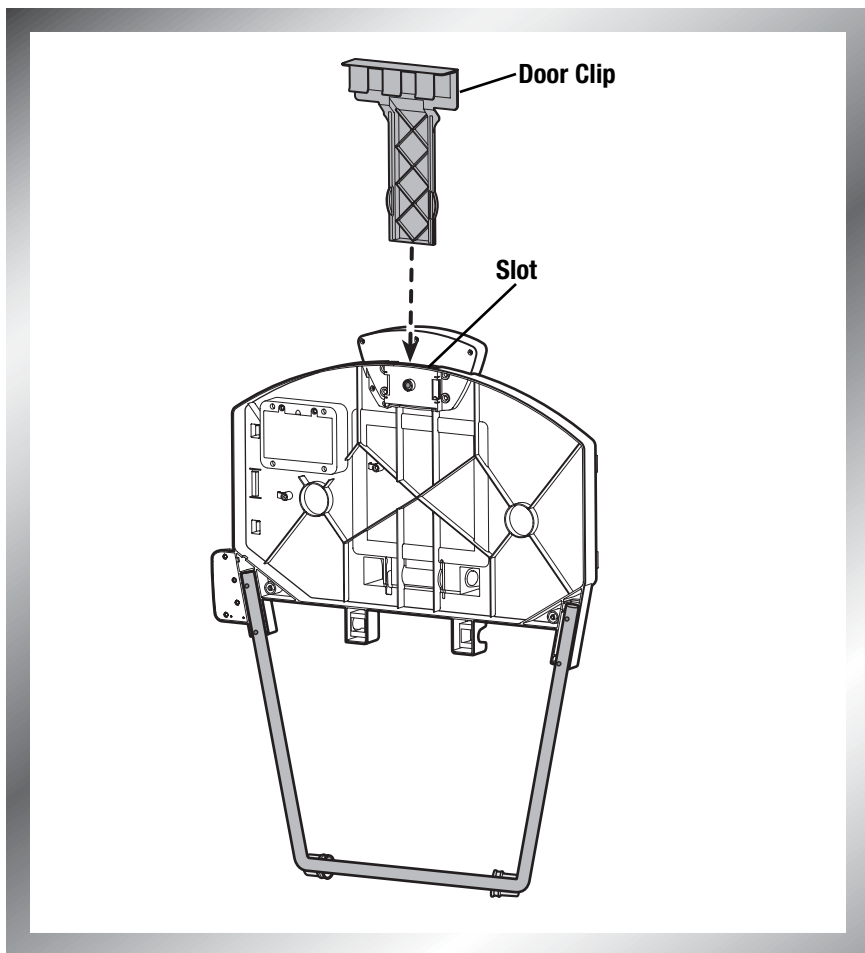
- Place the backboard face down on a flat surface.
- Fit the ends of the U tube into the grooves in the bottom of the backboard.



## **STEP 2**

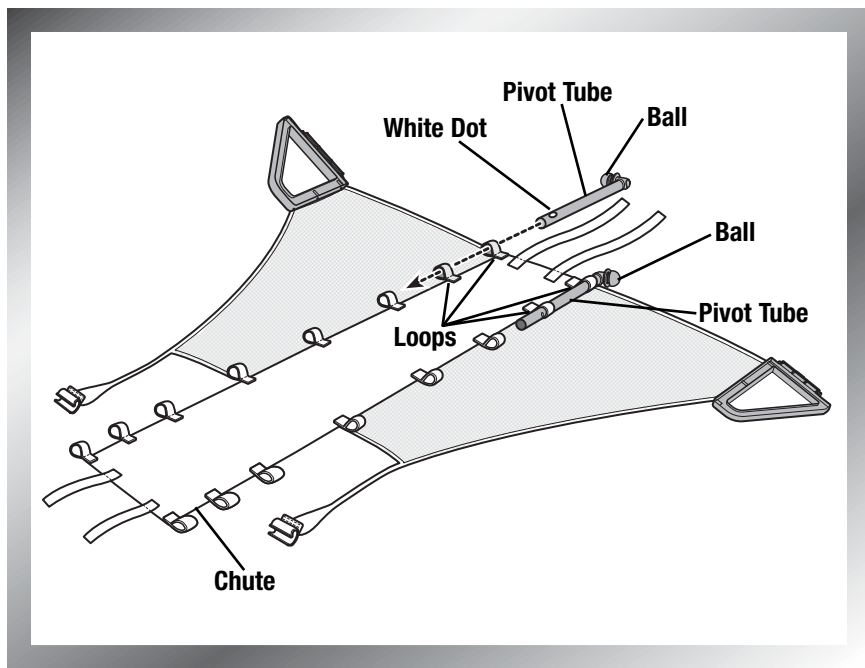
- Insert four #8 x 1" screws into the U tube and tighten.





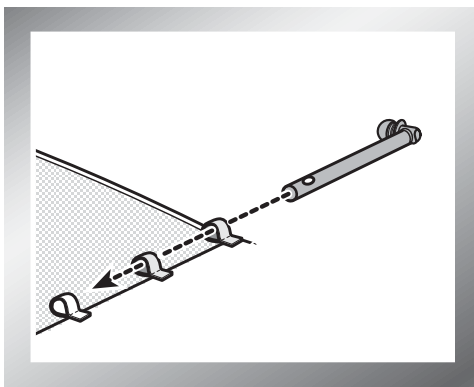
## **STEP 3**

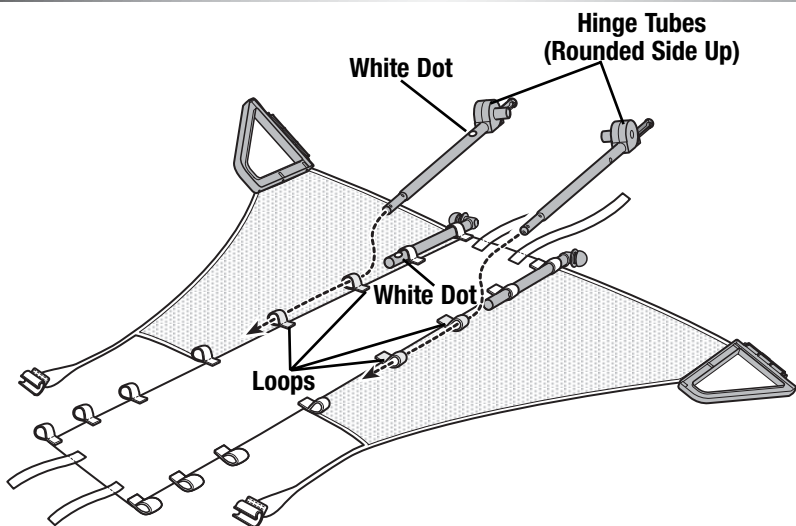
- Insert the door clip into the slot in the top of the backboard until it **"snaps"** into place.



## STEP 4

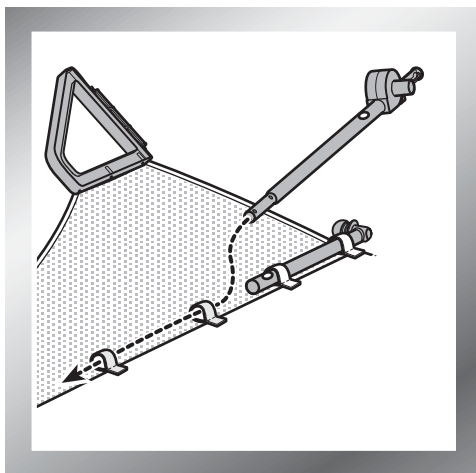
- Position the chute face down (loops are upright).
- Position the pivot tubes so that the ball faces out and the pivot tube with the white dot is to the left.
- Slide the pivot tubes through the top two loops on the chute, as shown.

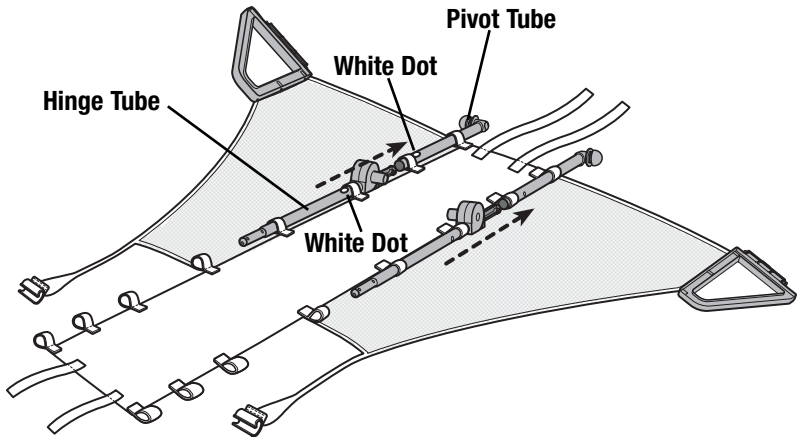




## STEP 5

- Next, position the hinge tubes so that the rounded side is up.
- Match the hinge tube with the white dot to the pivot tube with the white dot.
- Next, slide the hinge tubes into the next two loops on the chute, as shown.

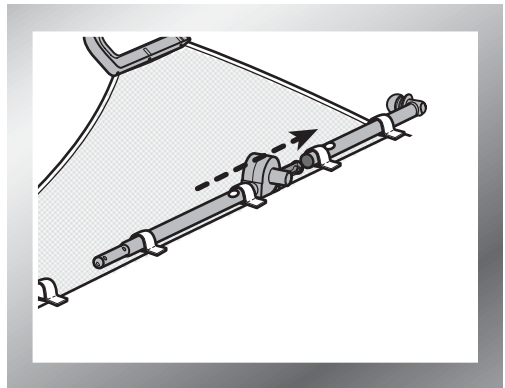


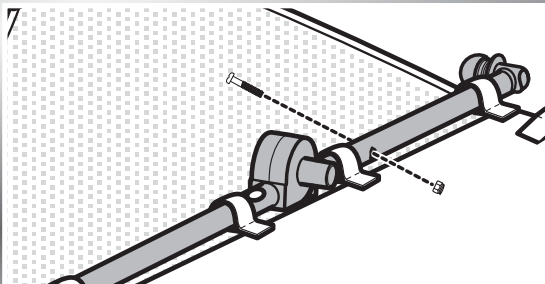
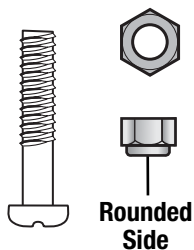
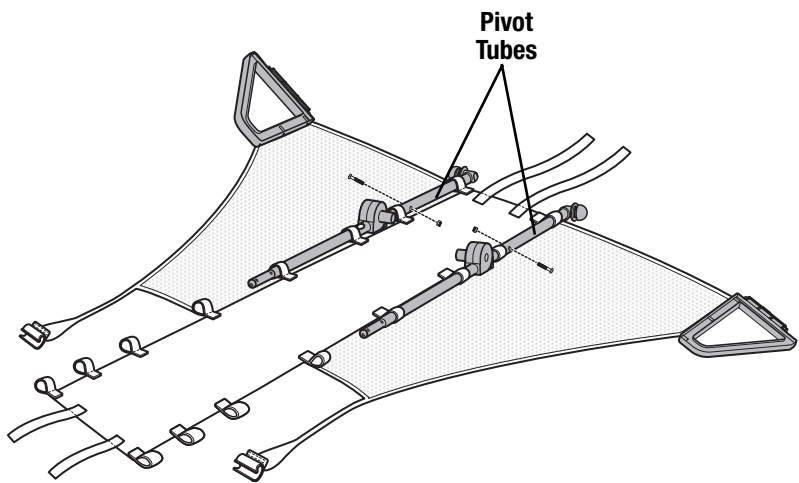


## STEP 6

- Fit the end of each hinge tube into the end of each pivot tube.

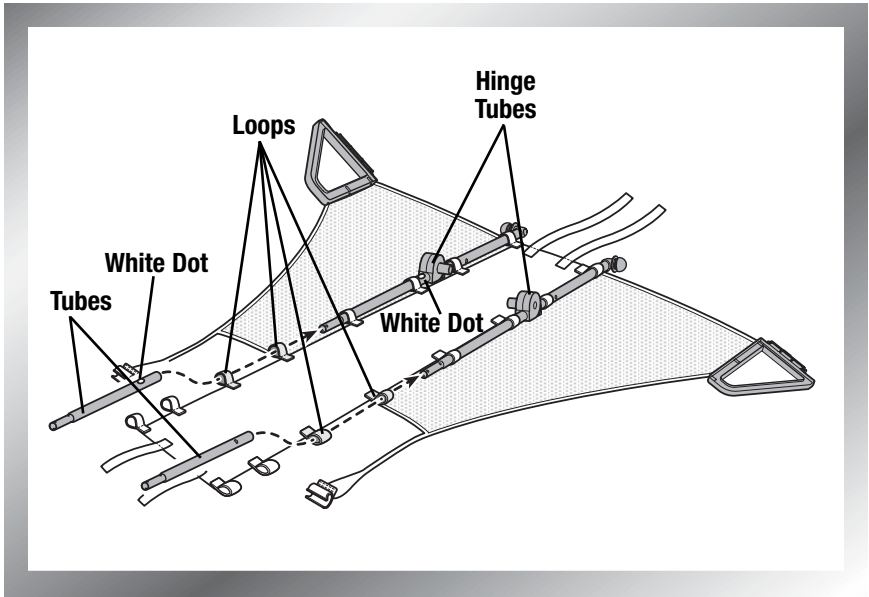
**Hint:** If the hinge tubes do not fit in the pivot tubes, reverse the hinge tubes. Make sure the white dot on the hinge tube matches the white dot on the pivot tube.





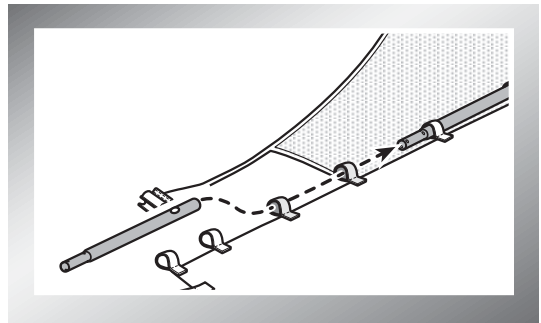
## STEP 7

- Insert an M5 x 23 mm bolt through the outside of each pivot tube.
- Fit an M5 lock nut, **rounded side out**, to the hex hole in the opposite side of each pivot tube.
- While holding the lock nut in place, tighten the bolt in each pivot tube.

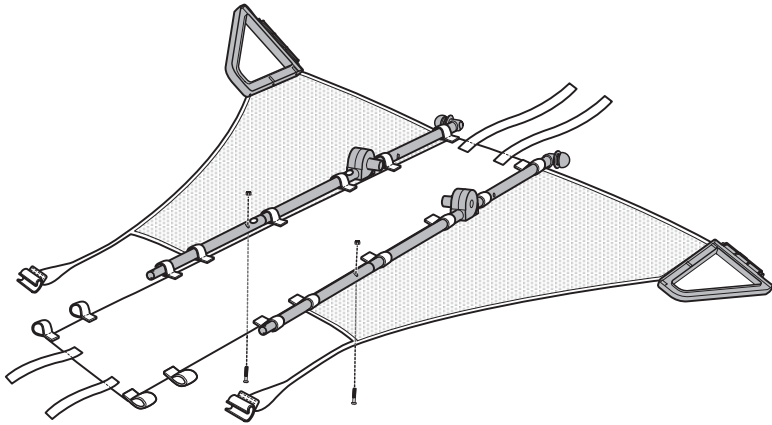


## STEP 8

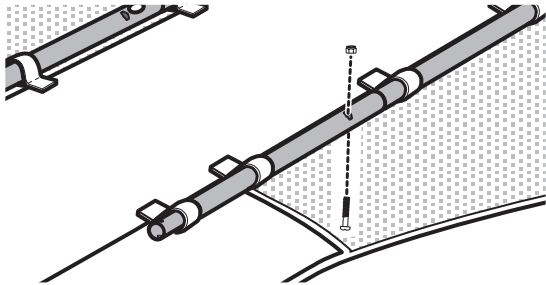
- Now, match the tube with the white dot to the hinge tube with the white dot.
- Slide the tubes through the next two loops, and onto the end of each hinge tube.





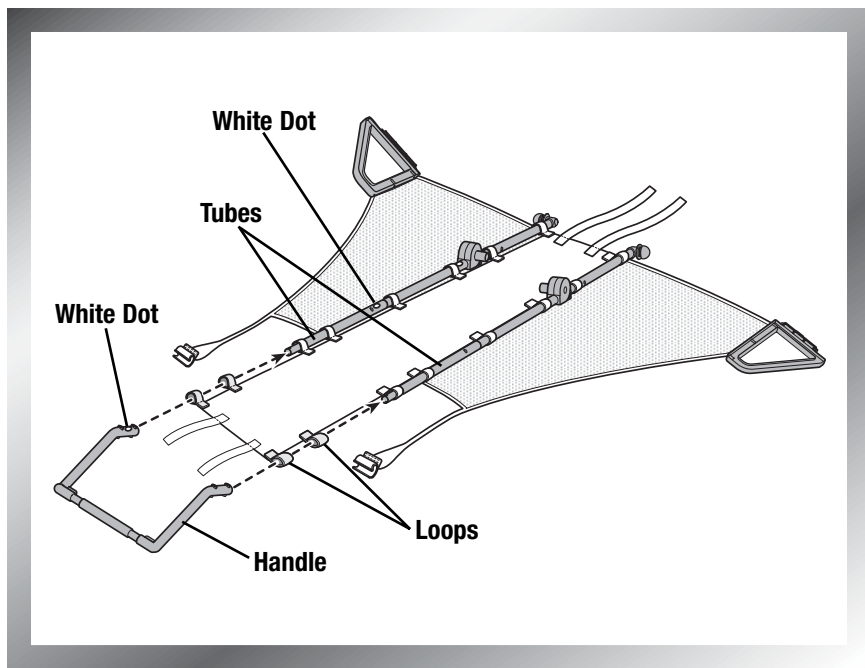


**Rounded  
Side**



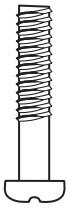
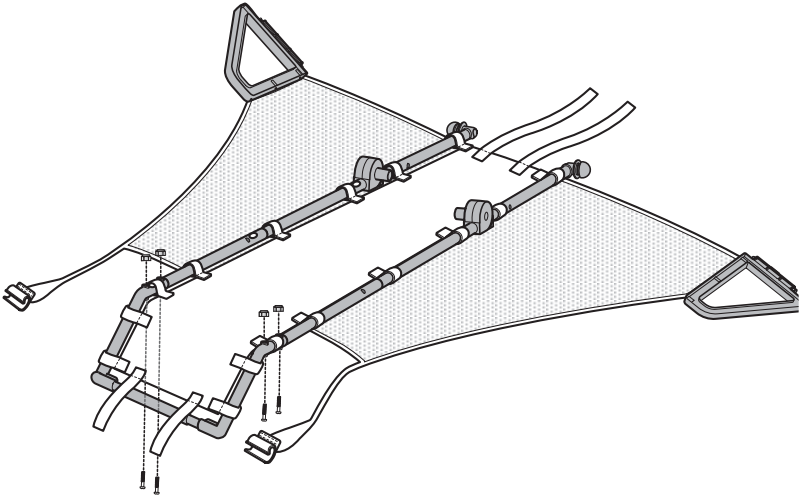
## **STEP 9**

- Insert an M5 x 23 mm bolt through the underside of each tube.
- Fit an M5 lock nut, **rounded side up**, to the hex hole in the opposite side of each tube.
- While holding the lock nut in place, tighten the bolt.

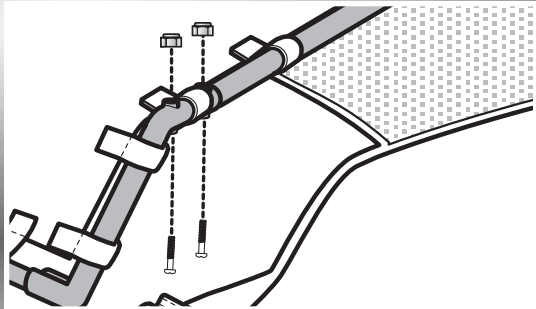


## **STEP 10**

- Position the handle so that it curves down.
- Match the white dot on the handle with the white dot on the tube.
- Fit the handle through the last two loops on the chute and onto the end of each tube.

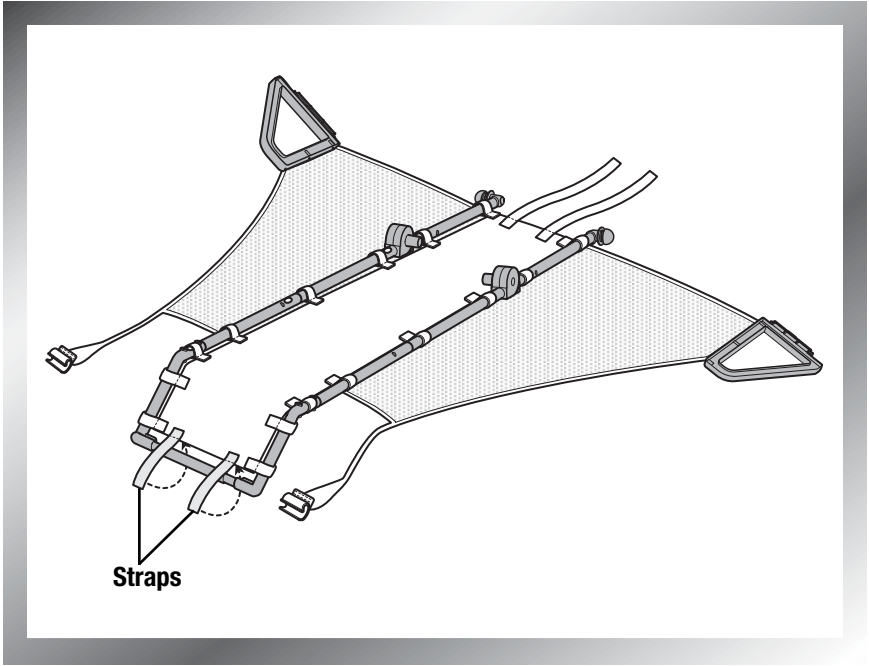


**Rounded  
Side**



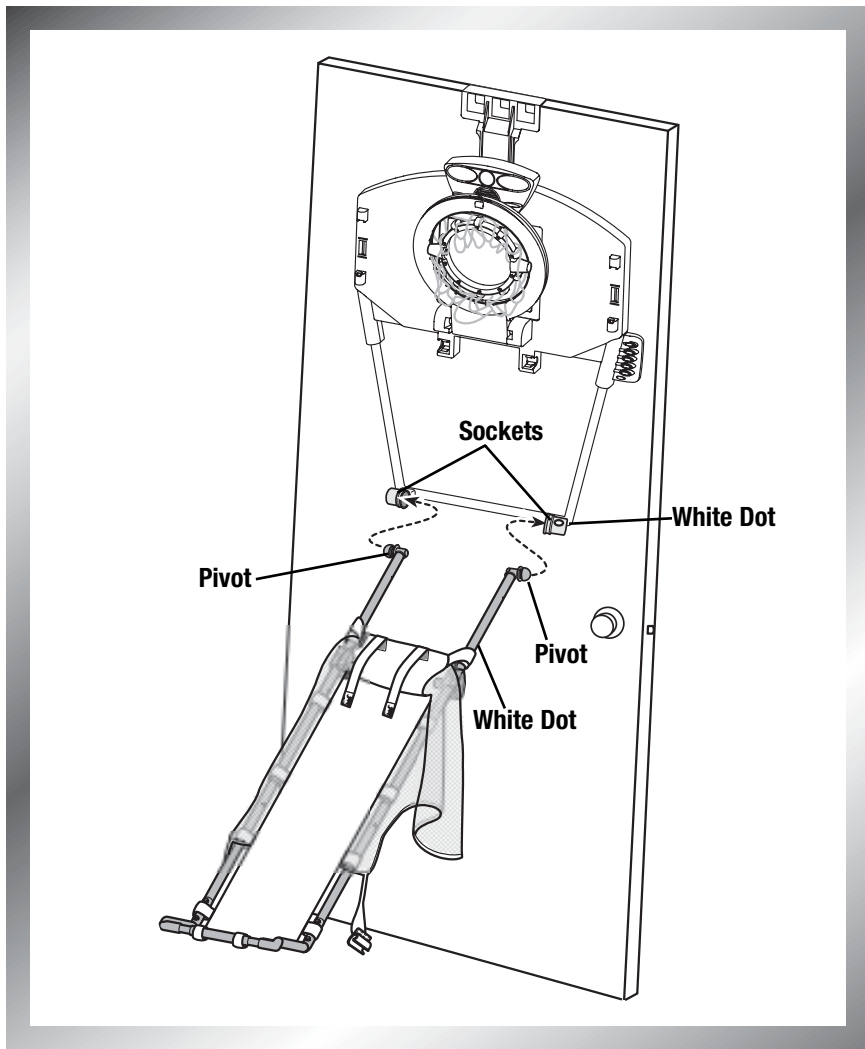
## **STEP 11**

- Insert two M5 x 23 mm bolts through each end of the handle.
- Fit two M5 lock nuts, rounded side up, to the hex openings in each end of the handle.
- While holding the lock nuts in place, tighten the bolts.



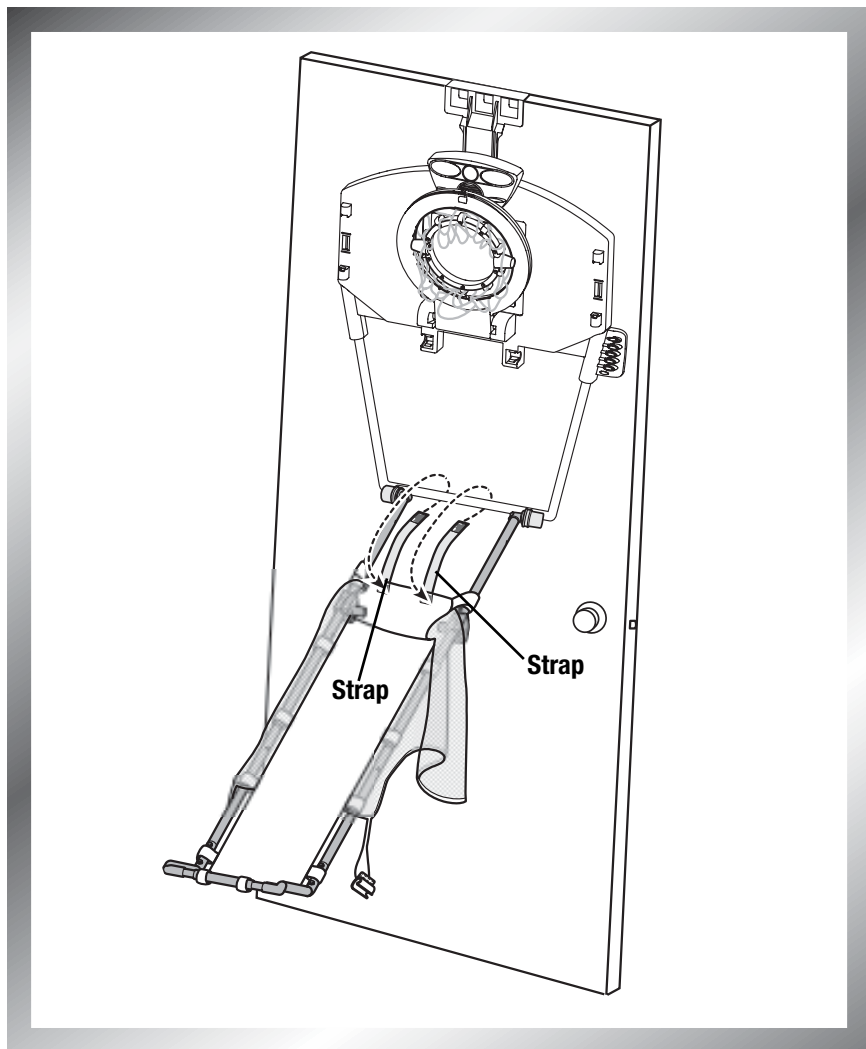
## **STEP 12**

- Wrap the straps on the chute around the handle and fasten.



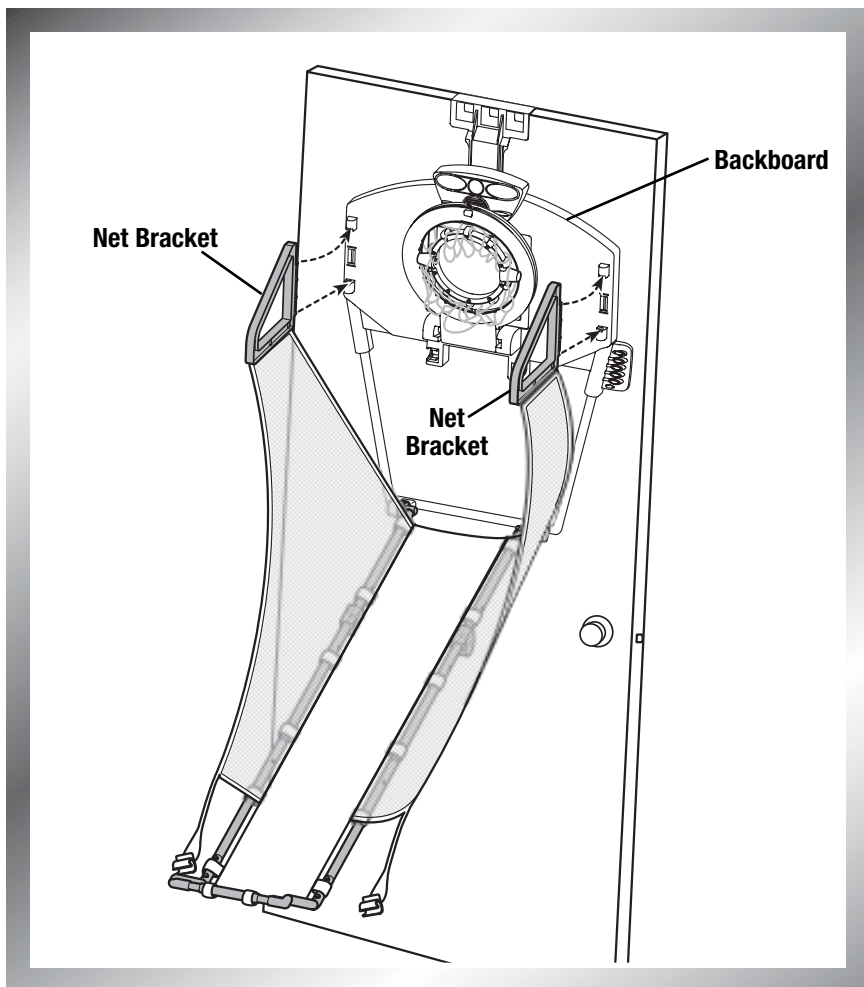
## **STEP 13**

- Hang the backboard assembly on a door.
- Turn the chute assembly upright.
- Match the white dot on the underside of the pivot tube to the white dot on one of the sockets.
- Plug the pivots on the chute assembly into the sockets on the bottom of the backboard assembly.



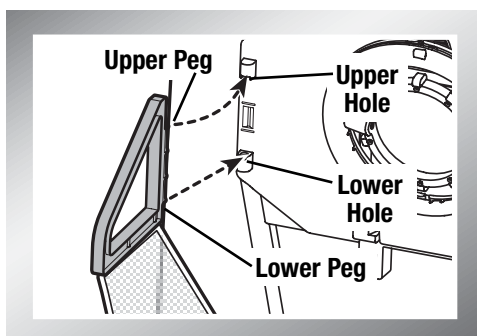
## **STEP 14**

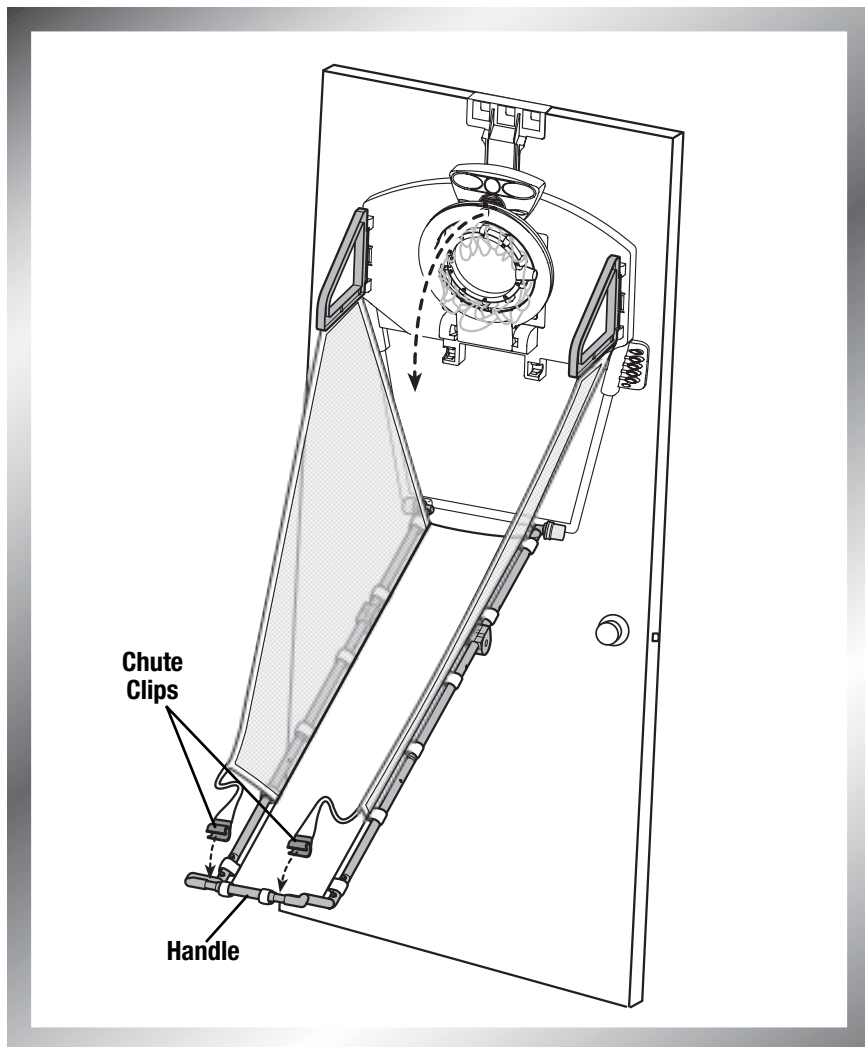
- Wrap the straps on the top of the chute around the bar on the backboard assembly and fasten.



## STEP 15

- At an angle, fit the upper peg on the net bracket into the upper hole in the backboard.
- Now, push to fit the lower peg on the net bracket into the lower hole in the backboard.





## **STEP 16**

- **"Snap"** the chute clips to the handle.
- Lower the net.

**Assembly is now complete.**





- There are eight fun ways to play - four games, each with two levels of play (beginner and advanced). See pages 26 - 27 for game play instructions.

**Hint:** Play with the chute down or folded up! For instructions on how to fold the chute, see pages 28 - 29.

# FREEPLAY

*See how many baskets you can make!*

## BEGINNER

- First, slide the power switch to **ON**.
- Next, slide the level switch to **Beginner**.
- Press the **Freeplay** button.
- Shoot the basketball into the basket.
- Look at the scoreboard to see how many baskets you've made!

## ADVANCED

- First, slide the power switch to **ON**.
- Next, slide the level switch to **Advanced**.
- Press the **Freeplay** button.
- Shoot the basketball into the basket. Time your shot just right. Watch for the defense rings that try to block your shot!
- Look at the scoreboard to see how many baskets you've made!

# BEAT THE "D"<sup>TM</sup>

*How many baskets can you make in 1 minute?*

## BEGINNER

- First, slide the power switch to **ON**.
- Next, slide the level switch to **Beginner**.
- Press the **Beat the "D"<sup>TM</sup>** button.
- Look at the scoreboard. You have 60 seconds to make as many baskets as you can.
- Shoot the basketball into the basket. Time your shot just right. Watch for the defense rings that try to block your shot!
- Look at the scoreboard to see how many baskets you've made!

## ADVANCED

- First, slide the power switch to **ON**.
- Next, slide the level switch to **Advanced**.
- Press the **Beat the "D"<sup>TM</sup>** button.
- Look at the scoreboard. You have 60 seconds to make as many baskets as you can.
- Shoot the basketball into the basket. Time your shot just right. There's more defense! Watch the defense rings.
- Look at the scoreboard to see how many baskets you've made!

# SIZZLING SHOT CLOCK™

**Can you make 4 baskets before the time runs out?**

## BEGINNER

- First, slide the power switch to **ON**.
- Next, slide the level switch to **Beginner**.
- Press the **Sizzling Shot Clock™** button.
- Look at the scoreboard. You have 24 seconds to make 4 baskets.
- Shoot the basketball into the basket. Each basket scores 2 points.
- If you make 4 baskets before the end of 24 seconds, you're onto the first Overtime!
- Keep shooting, you need to make 4 baskets (each basket scores 3 points) in only 10 seconds to go onto the next Overtime.

## ADVANCED

- First, slide the power switch to **ON**.
- Next, slide the level switch to **Advanced**.
- Press the **Sizzling Shot Clock™** button.
- Look at the scoreboard. You have 24 seconds to make 4 baskets.
- Shoot the basketball into the basket. Each basket scores 2 points. Time your shot just right. Watch for the defense rings that try to block your shot!
- If you make 4 baskets before the end of 24 seconds, you're on to the first Overtime!
- Keep shooting, you need to make 4 baskets (each basket scores 3 points) in only 10 seconds to go onto the next Overtime.

# ONE ON ONE

**Score 10 points before your opponent does!**

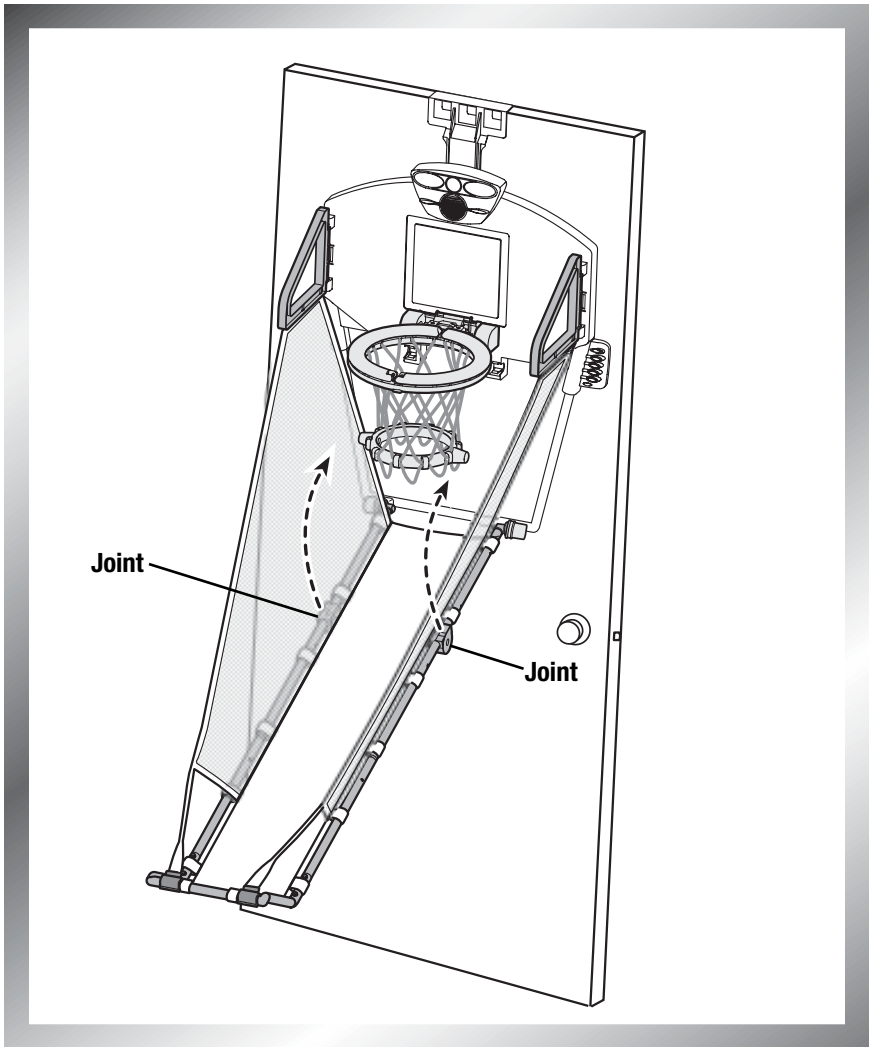
## BEGINNER

- First, slide the power switch to **ON**.
- Next, slide the level switch to **Beginner**.
- Press the **One on One** button.
- Look at the scoreboard. Player 1 has 10 seconds to make a basket. Each basket scores 2 points.
- Now, it's time for Player 2 to make a basket.
- The first player to score 10 points wins!

## ADVANCED

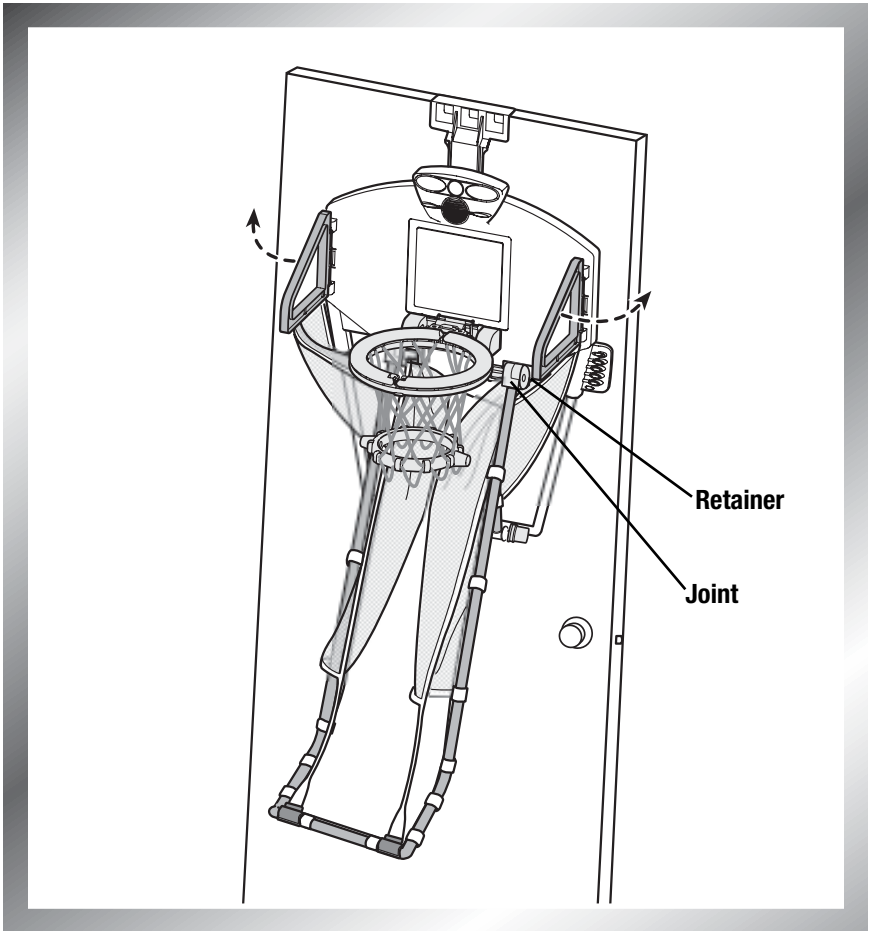
- First, slide the power switch to **ON**.
- Next, slide the level switch to **Advanced**.
- Press the **One on One** button.
- Look at the scoreboard. Player 1 has 10 seconds to make a basket. Each basket scores 2 points. Time your shot just right. Watch for the defense rings that try to block your shot!
- Now, it's time for Player 2 to make a basket.
- The first player to score 10 points wins!

# FOLDING THE CHUTE



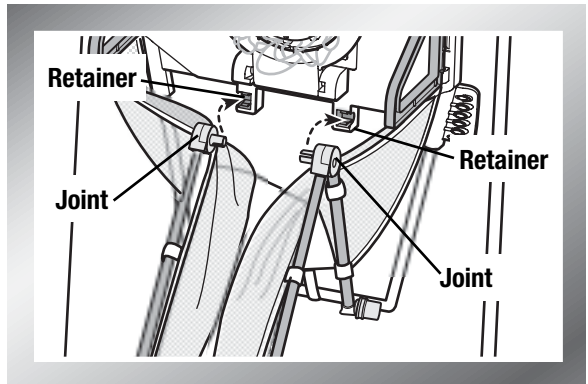
## **STEP 1**

- Grasp the joints on the chute and lift.

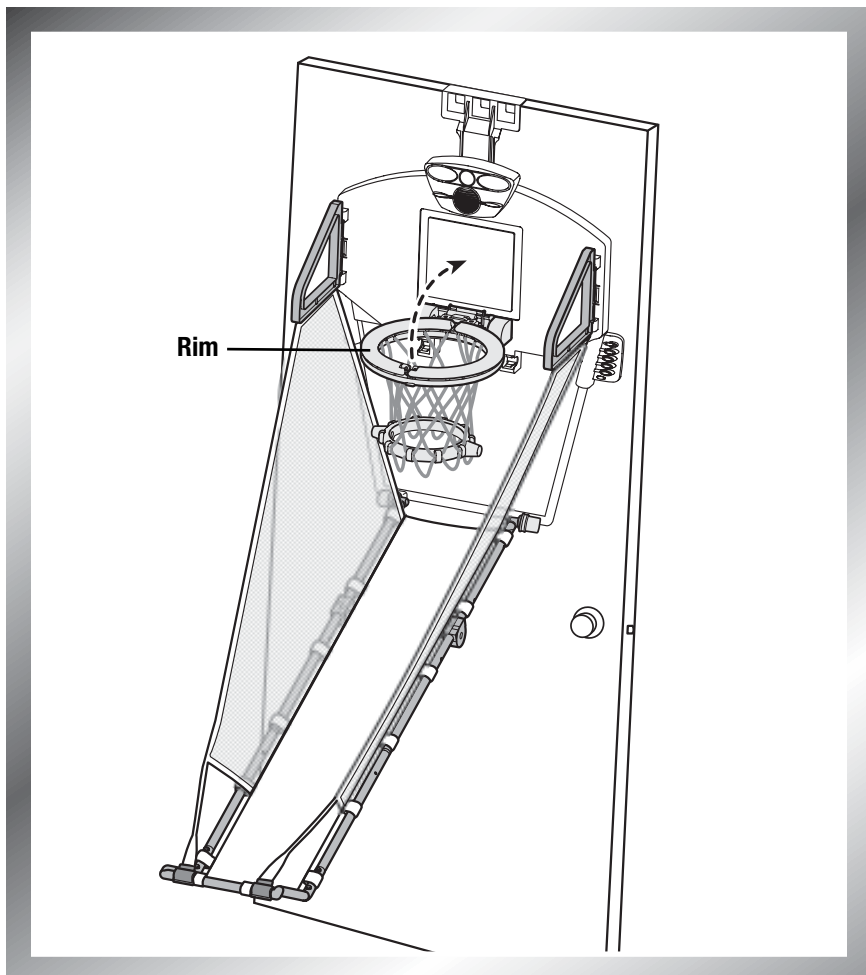


## **STEP 2**

- Fit the joints into the retainers on the backboard.
- Push the net brackets out, against the door.
- Tuck the chute inward.

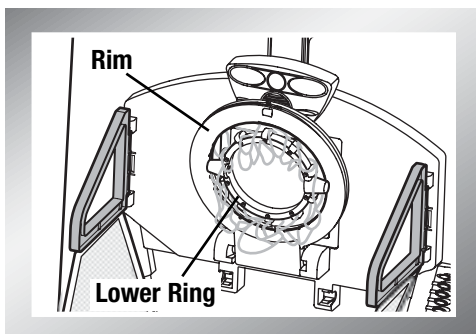


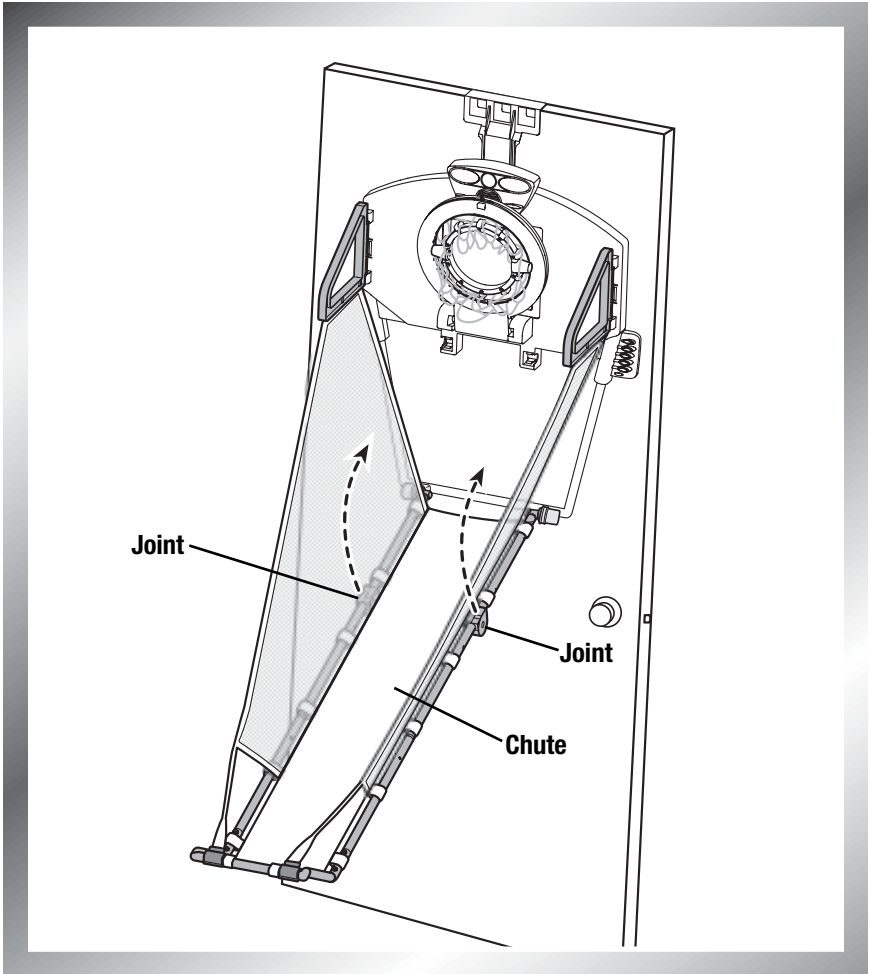
# STORAGE



## STEP 1

- Lift the upper rim and snap into place.
- Push the lower ring into upper rim.

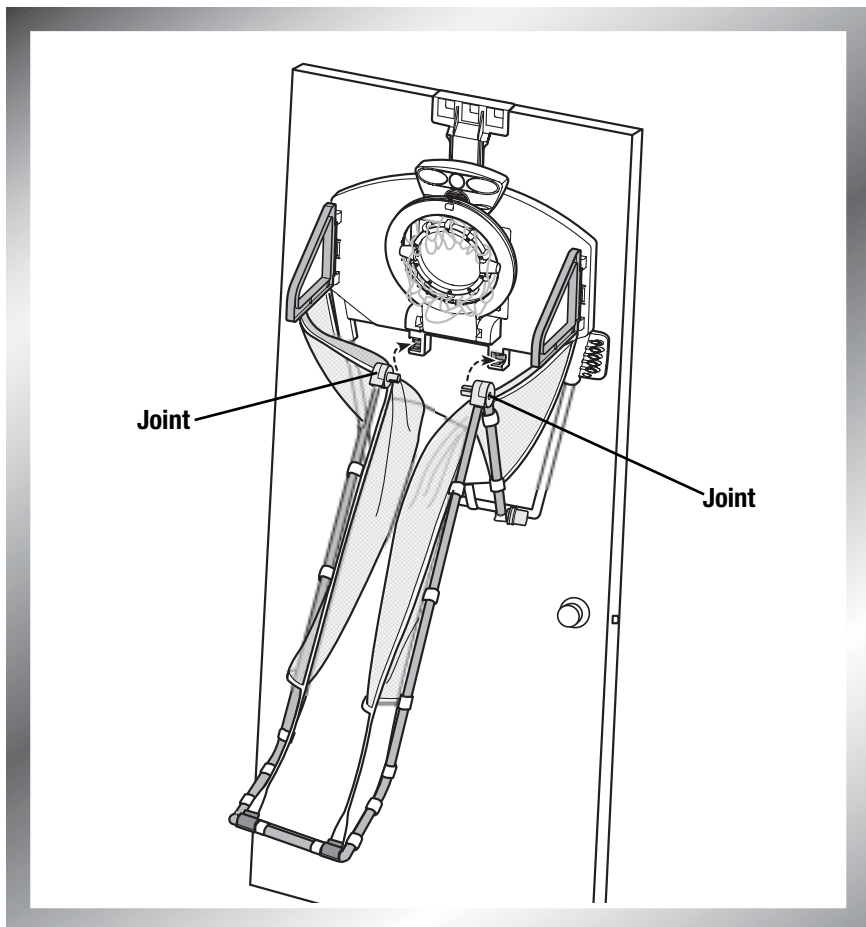




## ***STEP 2***

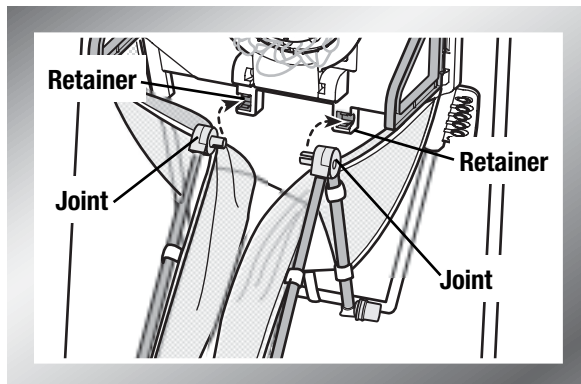
- Grasp the joints on the chute and lift.

# STORAGE

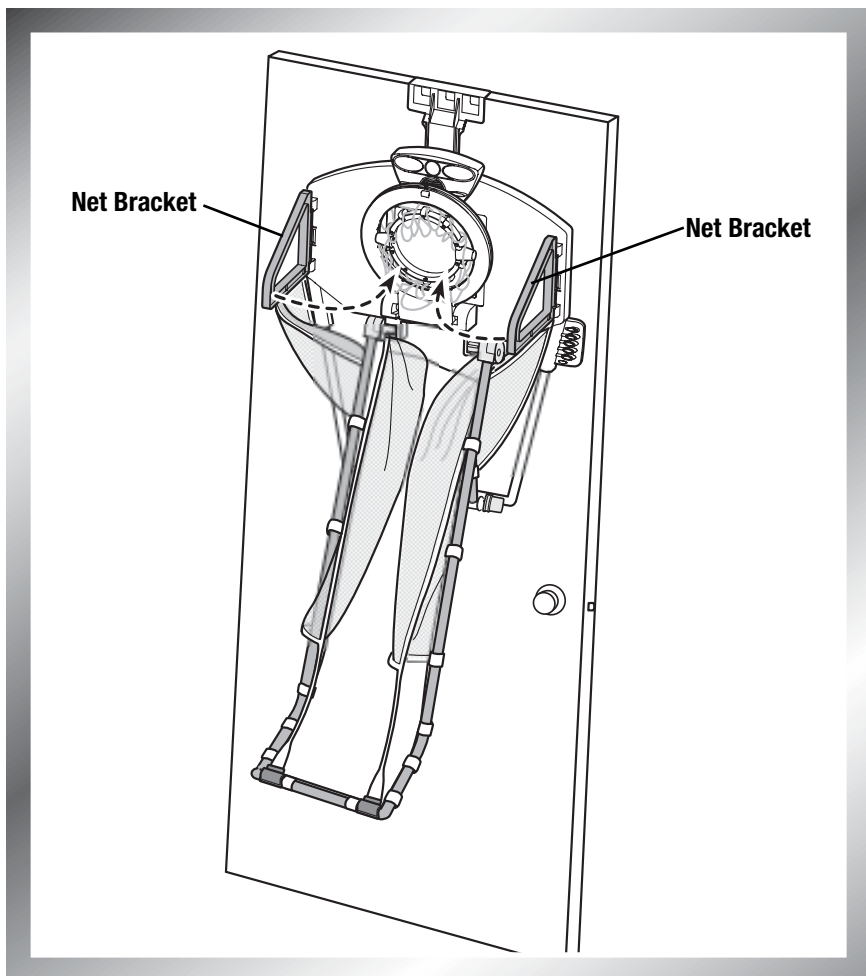


## STEP 3

- Grasp the joints on the chute and lift.
- Tuck the chute inward.







## ***STEP 4***

- Fold the net brackets inward.

# TROUBLESHOOTING GUIDE

SYMPTOM	SOLUTION
The sound quality is faint or there is no sound at all.	<ul style="list-style-type: none"><li>• Battery power is weak or batteries are dead. Replace all four batteries with fresh, "C" <b>alkaline</b> batteries.</li><li>• You will need to reset the electronics. Locate the ON/OFF switch on the front of the game selector. Slide it OFF and then back ON again.</li></ul>
Lights on the scoreboard do not light at all or are very dim.	<ul style="list-style-type: none"><li>• Battery power is weak or batteries are dead. Replace all four batteries with fresh, "C" <b>alkaline</b> batteries.</li></ul>
Shot Block™ Basketball functions erratically and the games aren't scoring correctly or the buttons do not respond correctly when pushed, or moved.	<ul style="list-style-type: none"><li>• Battery power is weak or batteries are dead. Replace all four batteries with fresh, "C" <b>alkaline</b> batteries.</li></ul>
The ball has gone through the basketball hoop but the scoreboard didn't recognize it.	<ul style="list-style-type: none"><li>• The scoring mechanism is sensitive to lighting conditions. Do not use the Shot Block™ Basketball in areas of direct sunlight. Do not use outdoors or in front of a window.</li><li>• Shot Block™ Basketball goes into "sleep mode" after about two minutes of inactivity. Locate the ON/OFF switch on the front of the game selector. Slide it OFF and then back ON again.</li><li>• Battery power is weak or batteries are dead. Replace all four batteries with fresh, "C" <b>alkaline</b> batteries.</li><li>• You will need to reset the electronics. Locate the ON/OFF switch on the front of the game selector. Slide it OFF and then back ON again.</li></ul>
Defense rings move sluggishly or not at all	<ul style="list-style-type: none"><li>• Battery power is weak or batteries are dead. Replace all four batteries with fresh, "C" <b>alkaline</b> batteries.</li></ul>

## QUESTIONS?

Visit us on-line at [www.service.mattel.com](http://www.service.mattel.com).

Or, call Fisher-Price® Consumer Relations, toll-free at **1-800-432-5437**, 8 AM- 6 PM EST Monday through Friday. Hearing-impaired consumers using TTY/TDD equipment, please call 1-800-382-7470. Write to: Fisher-Price, Inc., Consumer Relations, 636 Girard Avenue, East Aurora, New York 14052.

## CARE

- This product is not intended for use outdoors.
- Wipe this product with a clean cloth dampened with a mild soap and water solution. Wipe clean to remove soap residue.
- Do not immerse this product.
- Keep this product away from direct sunlight and excess heat.

## ONE (1) YEAR LIMITED WARRANTY

Fisher-Price, Inc., 636 Girard Avenue, East Aurora, New York 14052 warrants ESPN Shot Block™ Basketball is free from all defects in material and workmanship when used under normal conditions for a period of one (1) year from the date of purchase.

Should the product fail to perform properly, we will repair or replace it at our option, free of charge. Purchaser is responsible for shipping the product to Consumer Relations at the address indicated above and for all associated freight and insurance cost. Fisher-Price, Inc. will bear the cost of shipping the repaired or replaced item to you. This warranty is void if the owner repairs or modifies the product. This warranty excludes any liability other than that expressly stated above including but not limited to any incidental or consequential damages.

**SOME STATES DO NOT ALLOW THE EXCLUSION OR LIMITATION OF INCIDENTAL OR CONSEQUENTIAL DAMAGES, SO THE ABOVE LIMITATION OR EXCLUSION MAY NOT APPLY TO YOU.**

**THIS WARRANTY GIVES YOU SPECIFIC LEGAL RIGHTS, AND YOU MAY ALSO HAVE OTHER RIGHTS WHICH MAY VARY FROM STATE TO STATE.**

## FCC STATEMENT (UNITED STATES ONLY)

Note: This equipment has been tested and found to comply with the limits for a Class B digital device, pursuant to Part 15 of the FCC Rules. These limits are designed to provide reasonable protection against harmful interference in a residential installation. This equipment generates, uses and can radiate radio frequency energy and, if not installed and used in accordance with the instructions, may cause harmful interference to radio communications.

However, there is no guarantee that interference will not occur in a particular installation. If this equipment does cause harmful interference to radio or television reception, which can be determined by turning the equipment off and on, the user is encouraged to try to correct the interference by one or more of the following measures:

- Reorient or relocate the receiving antenna.
- Increase the separation between the equipment and receiver.
- Consult the dealer or an experienced radio/TV technician for help.

Note: Changes or modifications not expressly approved by the manufacturer responsible for compliance could void the user's authority to operate the equipment.

The logo for ESPN Shot Block Basketball is displayed on a black rectangular background. The word "Shot" is in a large, bold, white sans-serif font. Above the "t" in "Shot" is the "ESPN" logo in its characteristic italicized font. To the right of "Shot" is the word "Block" in a similar large, bold, white font. A basketball with the "ESPN" logo is positioned between the "o" and "c" of "Block". Below "Shot Block" is the word "BASKETBALL" in a smaller, white, spaced-out sans-serif font.

# Shot Block™

BASKETBALL

**Fisher-Price**

©ESPN, Inc.

Fisher-Price, Inc., a subsidiary of Mattel, Inc. East Aurora, New York 14052, U.S.A.  
©2005 Mattel, Inc. All Rights Reserved. © and ™ designate U.S. trademarks of Mattel, Inc.

PRINTED IN CHINA

H4685pr-0920

## Free Manuals Download Website

<http://myh66.com>

<http://usermanuals.us>

<http://www.somanuals.com>

<http://www.4manuals.cc>

<http://www.manual-lib.com>

<http://www.404manual.com>

<http://www.luxmanual.com>

<http://aubethermostatmanual.com>

Golf course search by state

<http://golfingnear.com>

Email search by domain

<http://emailbydomain.com>

Auto manuals search

<http://auto.somanuals.com>

TV manuals search

<http://tv.somanuals.com>