

# ESPN Action Sounds

## BASKETBALL

Model K9125



**Fisher-Price®**

[www.fisher-price.com](http://www.fisher-price.com)

# Consumer Information

## CAUTION

This product contains small parts in its unassembled state.  
Adult assembly is required.

- Please keep this instruction sheet for future reference, as it contains important information.
- Requires three “AAA” (LR03) **alkaline** batteries (not included).
- Adult assembly is required.
- Tool needed for assembly: Phillips Screwdriver (not included).
- Water or sand is needed to fill the base (not included).

**IMPORTANT!** Backboard height should be adjusted only by an adult.

## CARE

- The frame and net may be wiped clean using a mild cleaning solution and a damp cloth. Do not use bleach. Do not use harsh or abrasive cleaners. Rinse clean with water to remove residue. Do not immerse this toy.
- To prolong the life of the net, store this toy indoors.
- Do not leave this toy outside in freezing weather. Water left inside the base will freeze and possibly damage the base.
- We recommend indoor storage if this product will not be used for an extended period of time.

## QUESTIONS?

Visit us on-line at [www.service.fisher-price.com](http://www.service.fisher-price.com).

Call our Consumer Relations Department, toll-free at **1-800-432-5437**, 9 AM - 7 PM EST Monday through Friday and 11 AM - 5 PM EST Saturday. Hearing-impaired consumers using TTY/TDD equipment, please call 1-800-382-7470. Write to us at: Fisher-Price® Consumer Relations, 636 Girard Avenue, East Aurora, New York 14052.

## FCC STATEMENT

### (UNITED STATES ONLY)

This equipment has been tested and found to comply with the limits for a Class B digital device, pursuant to Part 15 of the FCC Rules. These limits are designed to provide reasonable protection against harmful interference in a residential installation. This equipment generates, uses and can radiate radio frequency energy and, if not installed and used in accordance with the instructions, may cause harmful interference to radio communications. However, there is no guarantee that interference will not occur in a particular installation. If this equipment does cause harmful interference to radio or television reception, which can be determined by turning the equipment off and on, the user is encouraged to try to correct the interference by one or more of the following measures:

- Reorient or relocate the receiving antenna.
- Increase the separation between the equipment and receiver.
- Consult the dealer or an experienced radio/TV technician for help.

Note: Changes or modifications not expressly approved by the manufacturer responsible for compliance could void the user's authority to operate the equipment.

### For countries outside the United States:

**CANADA: Questions?** 1-800-432-5437. Mattel Canada Inc., 6155 Freemont Blvd., Mississauga, Ontario L5R 3W2; [www.service.mattel.com](http://www.service.mattel.com).

**GREAT BRITAIN:** Mattel UK Ltd, Vanwall Business Park, Maidenhead SL6 4UB. Helpline: 01628 500303; [www.service.mattel.com](http://www.service.mattel.com)

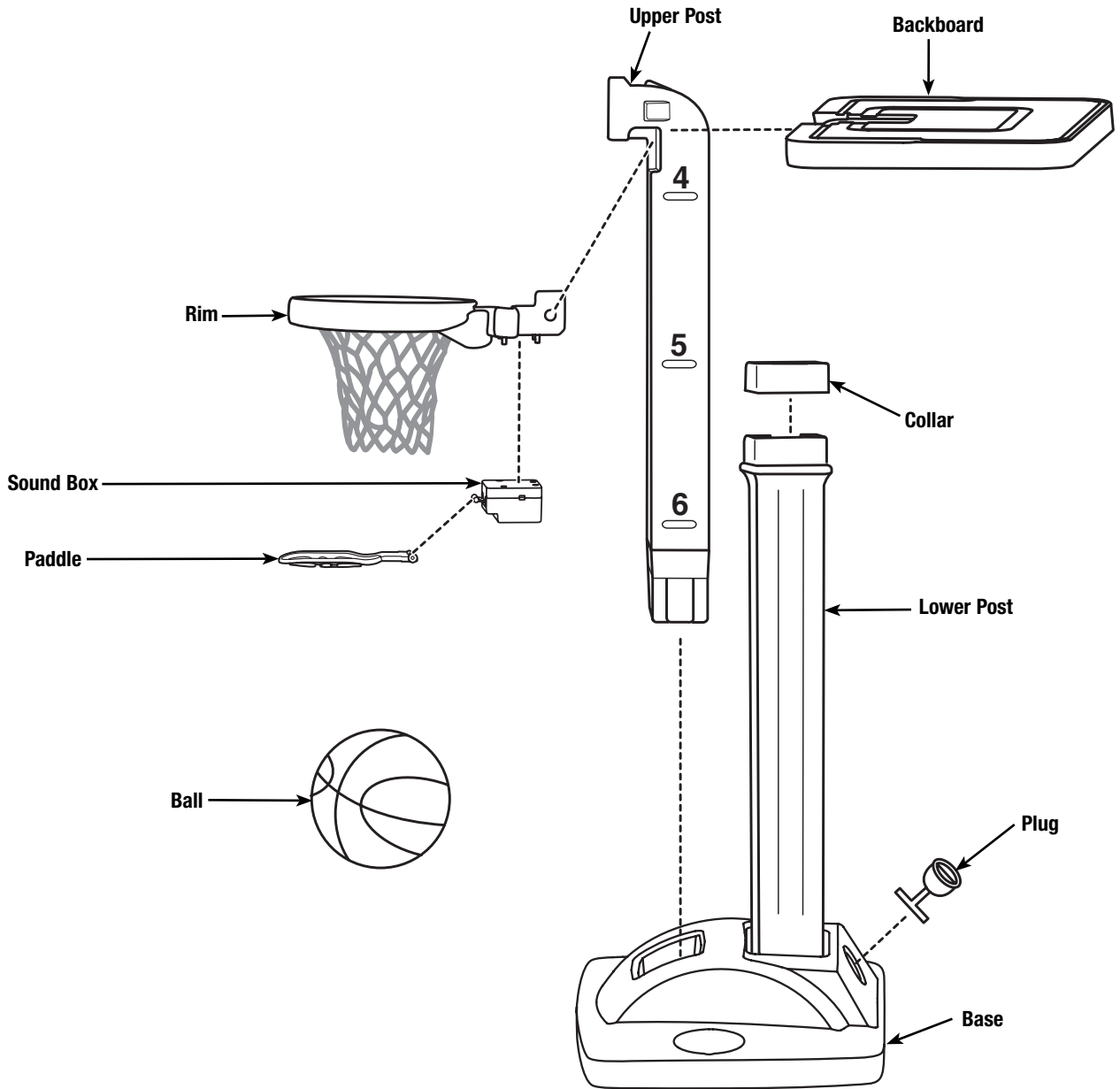
**AUSTRALIA:** Mattel Australia Pty. Ltd., 658 Church Street, Locked Bag #870, Richmond, Victoria 3121 Australia. Consumer Advisory Service 1300 135 312.

**NEW ZEALAND:** 16-18 William Pickering Drive, Albany 1331, Auckland.

**ASIA:** Mattel East Asia Ltd, Room 1106, South Tower, World Finance Centre, Harbour City, Tsimshatsui, HK, China.

# Parts

*Hint: Some parts were placed inside the lower post for shipping.*



#6 x 3/4" (1.9 cm) Screw - 4



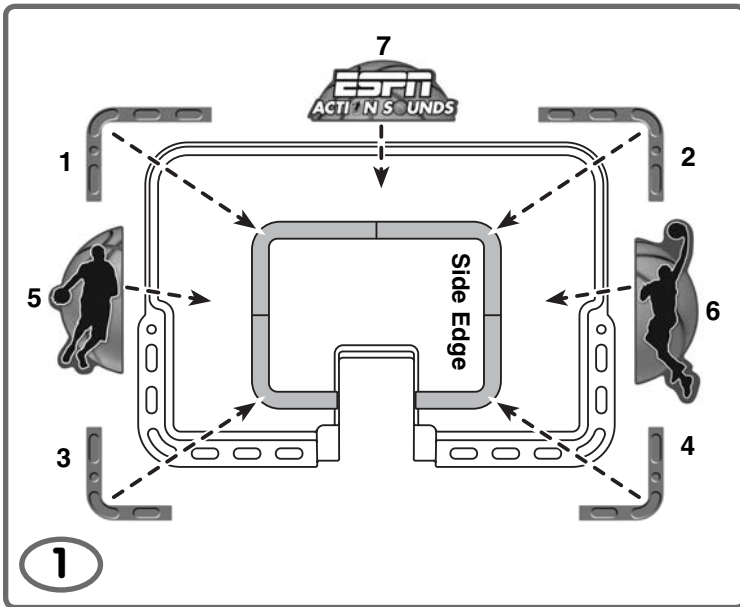
#8 x 2 1/4" (5.7 cm) Screw - 1

**BOTH SHOWN ACTUAL SIZE**

**Note:** Tighten and loosen all screws with a Phillips screwdriver.  
Do not over-tighten.

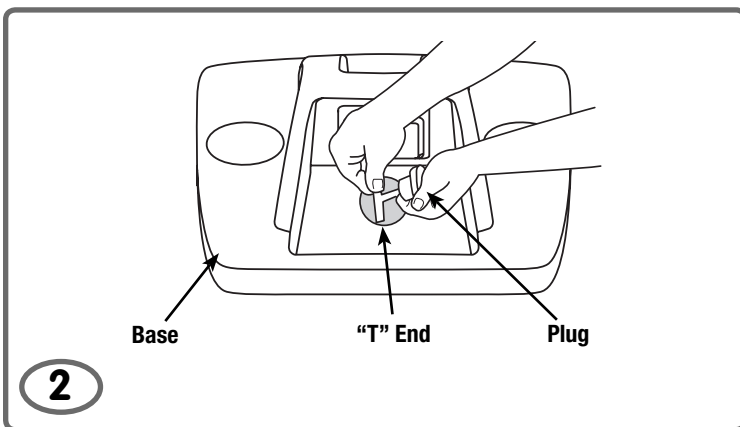
**Note:** Label not shown

# Assembly

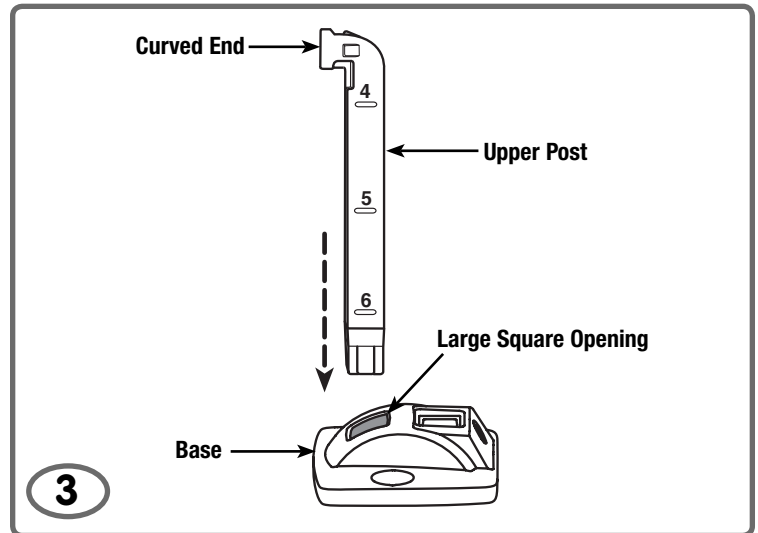


## Proper label application will help to keep the label looking its best!

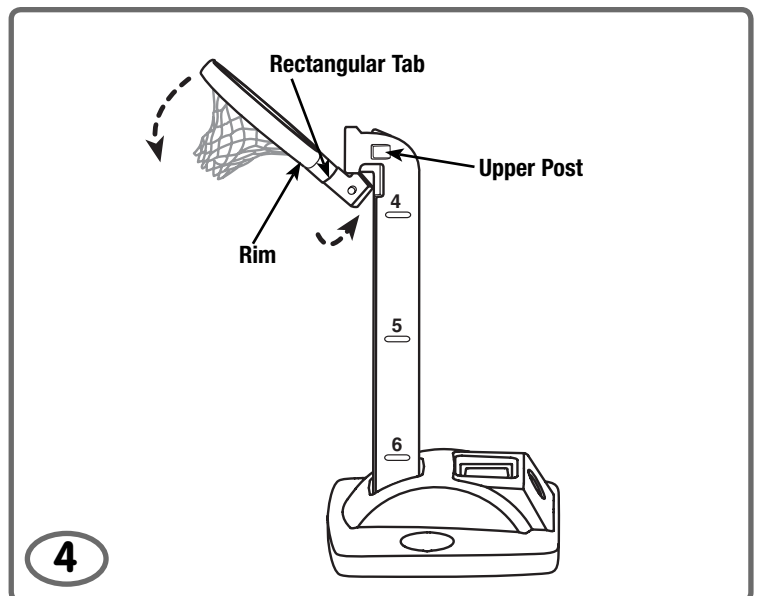
- Make sure the area where the label will be applied is clean and dry. Wipe the backboard with a clean, soft, dry cloth to remove any dust or oils.
- For best results, avoid applying the label more than once.
- Peel the backing from one half of the label. Do not remove all of the backing!
- Align the side edge of label **1** (where backing is removed) with the side edge of the label area on the backboard.
- Carefully apply the side edge of the label to the side edge of the label area on the backboard.
- While rubbing the label in place, continue to peel the backing from the other half of the label.
- Apply the remaining labels to the backboard. Labels **1 - 4** are designed to overlap.
- Dispose of the label backing properly.



- Bend the "T" end of the plug and insert it into the hole in the base.
- Note:** After assembly is complete, fill the base with water or approximately 50 lbs. (22.7 kg) of sand (water and sand not included) to keep this product stationary. Simply lift the plug, fill the base, and replace the plug.

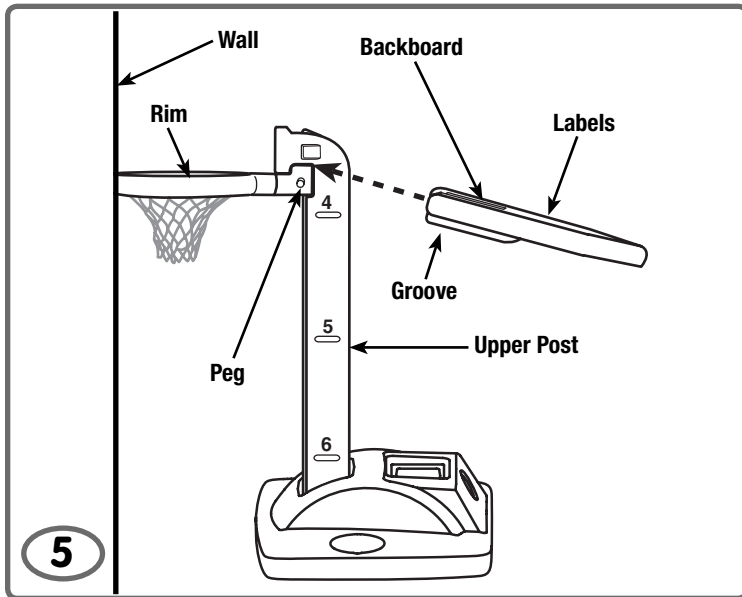


- Position the base as shown.
  - Position the upper post so that the straight end is down and the curved end is up and facing away from the base.
- Hint:** For easier assembly, apply liquid soap or rub a candle or bar soap around the bottom of the upper post (especially on the corners) and the inside of the large square opening. If assembling inside, place a tarp under the base to protect the floor surface.
- Insert the upper post into the large square opening in the base and, using a circular motion, push it all the way down.



- Hook the rectangular tab on each side of the rim to the upper post, as shown.
- Rotate the rim down until it snaps into place on the upper post. Push down on the rim to be sure it is secure.

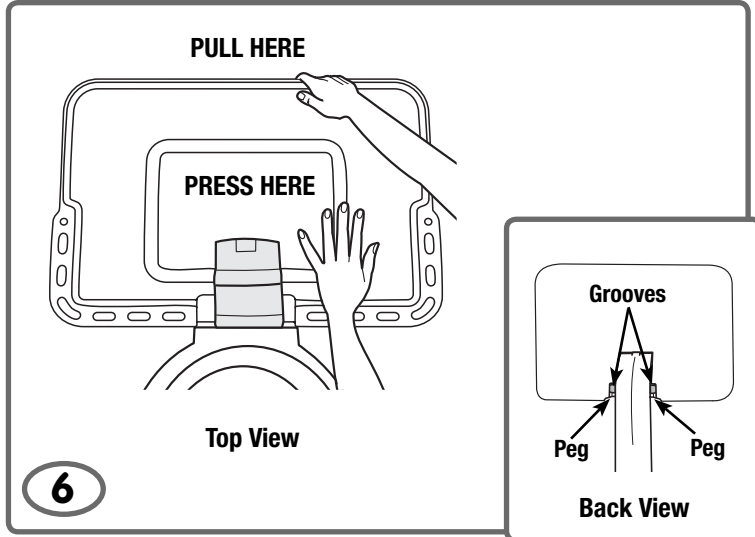
# Assembly



- Lean the rim against a wall for support.
- Locate the pegs on each side of the rim and the grooves on the backboard.
- Position the backboard with the label side facing up.
- Place your foot on the base to hold it steady and slide the backboard onto the upper post at an angle, as far as it will go.

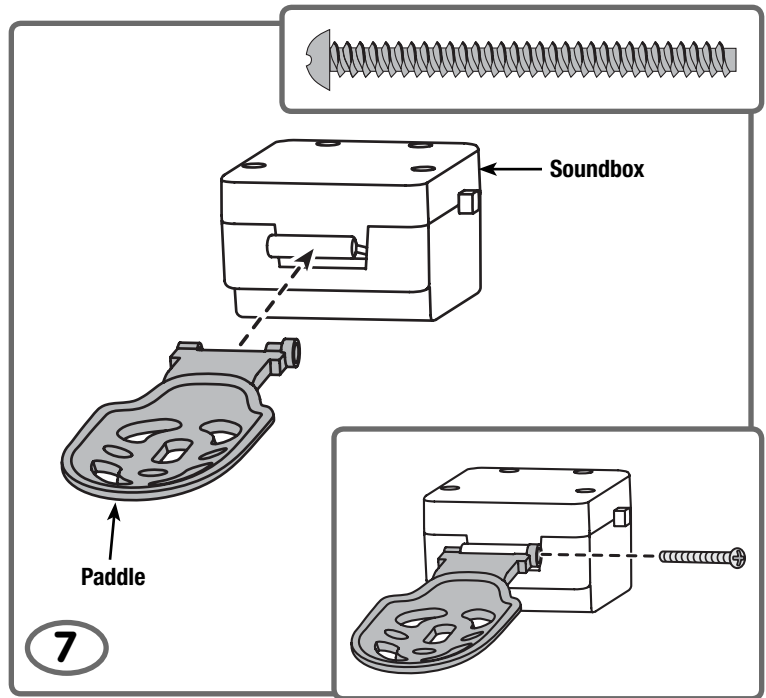
**Note:** There should be no gap between the upper post and the backboard.

- Move the assembly away from the wall.

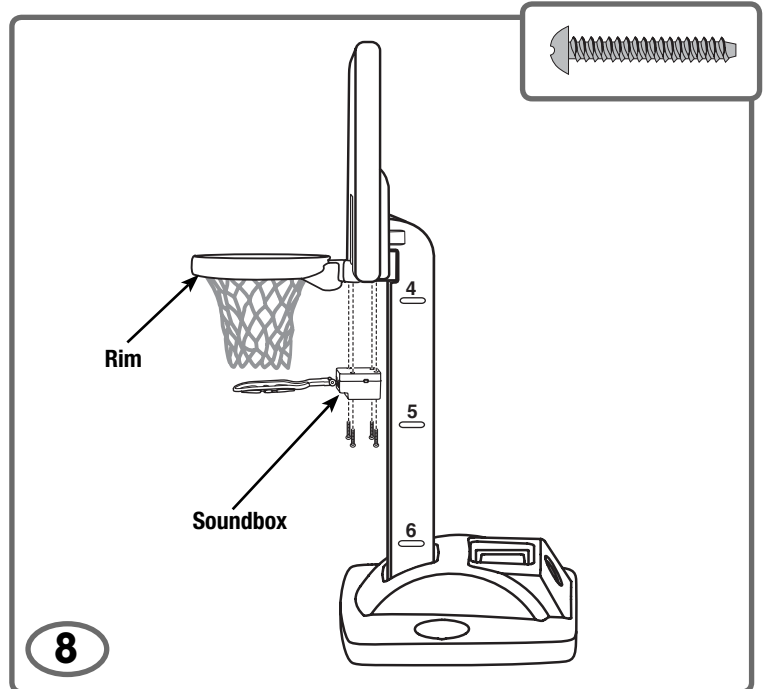


- Move to the side of the assembly.
- Place your foot on the base to hold it steady.
- Press down firmly on the lower backboard while rotating the backboard up.
- When properly assembled, the pegs on the upper post rest in the grooves in the backboard, as shown.

**Note:** The height of the rim is three feet (1 m) as assembled.

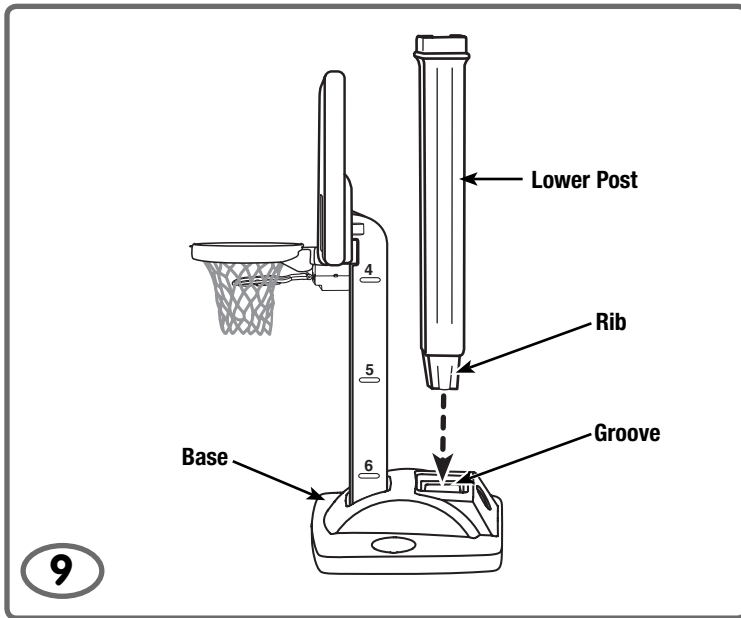


- Fit the paddle onto the pegs on the soundbox, as shown.
- Insert the #8 x 2 1/4 screw through the paddle and into the soundbox and tighten.



- Fit the soundbox to the underside of the rim and hold it in place.
- Insert four #6 x 3/4" screws into the soundbox and tighten to secure it to the rim.

# Assembly

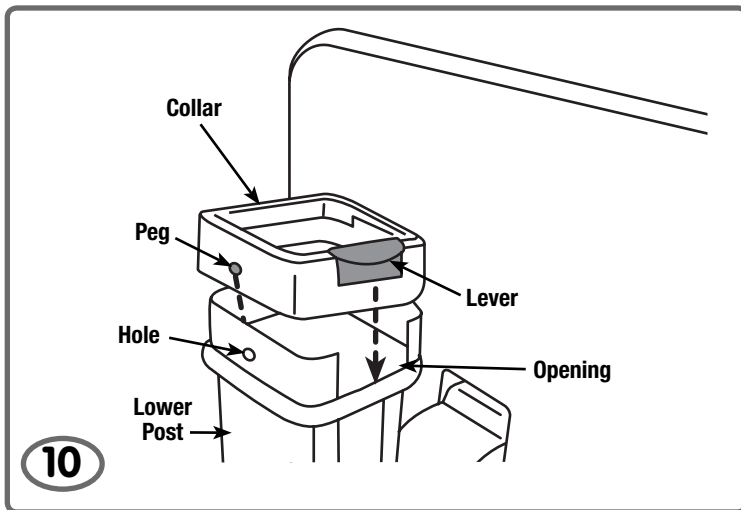


**IMPORTANT! Assembly of the lower post to the base is a permanent assembly.**

- Align the rib on the bottom of the lower post with the groove in the opening in the base.

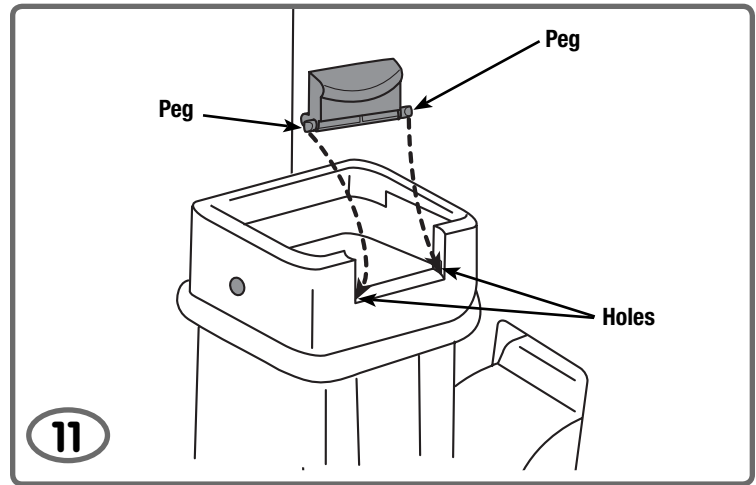
**Hint:** For easier assembly, apply a small amount of liquid soap around the bottom of the post. If assembling indoors, place a tarp under the base to protect the floor surface.

- Insert the lower post into the opening and push down, using a circular motion, until it snaps into place.



**Note:** The collar may already be factory assembled.

- Align the lever on the side of the collar with the opening in the top of the lower post.
- Fit the collar onto the lower post, making sure the peg on each side of the collar snaps into the hole on each side of the post.

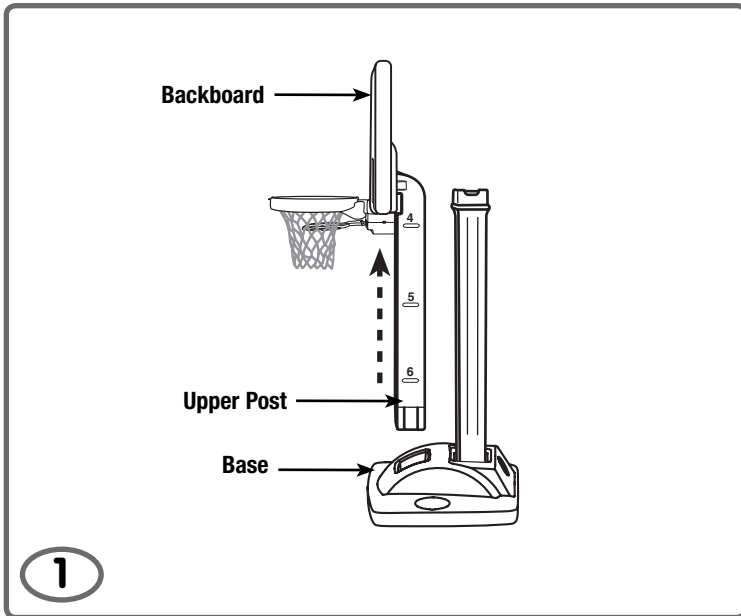


- If the lever comes off, simply re-attach it.
- Insert the peg on one side of the lever into the hole in the collar.
- Snap the other peg in the lever into the other hole in the collar.

**Assembly is now complete.**

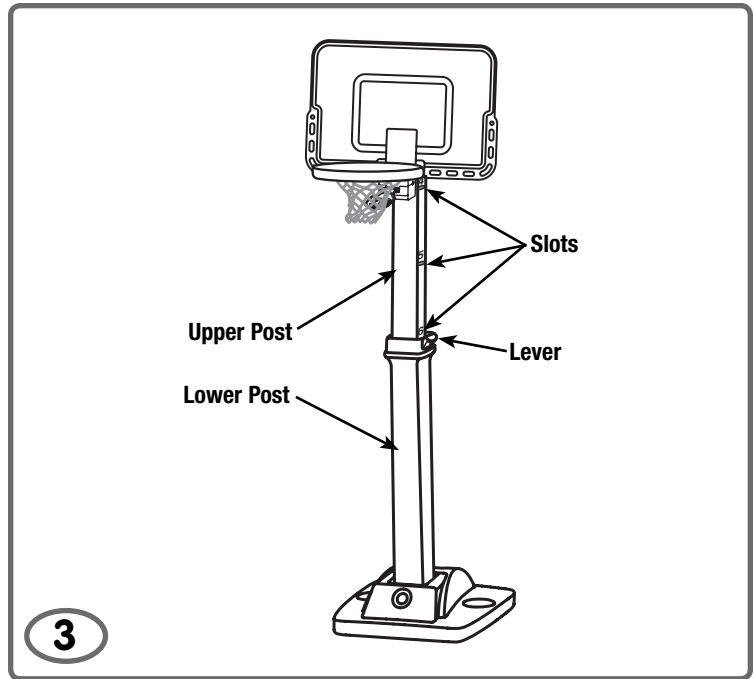
Please refer to assembly step 2 to fill the base with water or approximately 50 lbs. (22.7 kg) of sand (water and sand not included) to keep this product stationary.

# Adjusting The Rim Height

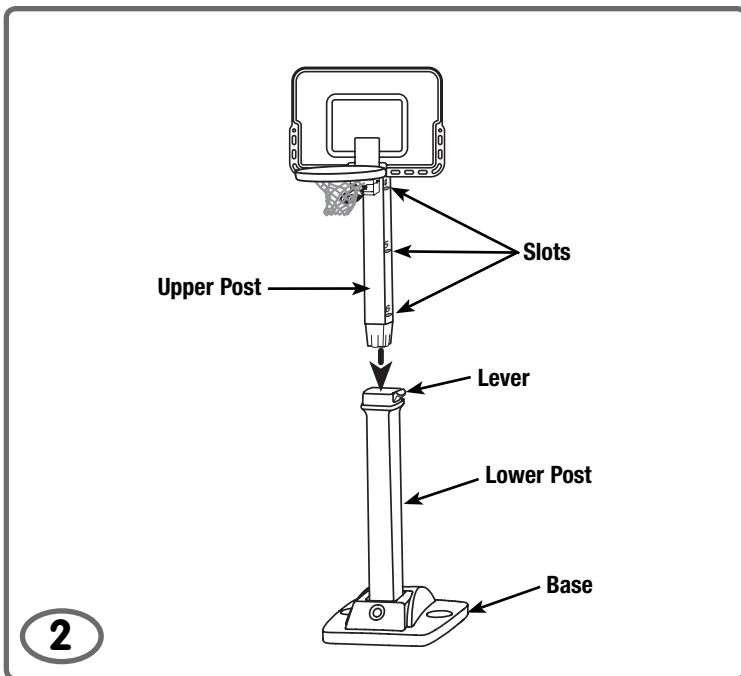


- As assembled, the rim height is 3' (1 m).
- To raise the rim height to 4', 5', or 6' (1.2 m, 1.5 m or 1.8 m), place your foot on the base and pull up on the backboard with both hands to remove the upper post from the base. You may need to rock the upper post to loosen it from the base.

**IMPORTANT!** Since this may require a lot of force, DO NOT stand with your face or chest above the backboard.



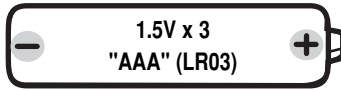
- **To lower the rim height:** while holding the upper post, push the lever on the lower post down. Lower the upper post and push the lever into the slot at 4' or 5' (1.2 m or 1.5 m).
- **To raise the rim height:** simply lift the upper post and push the lever into the slot at 5' or 6' (1.5 m or 1.8 m).



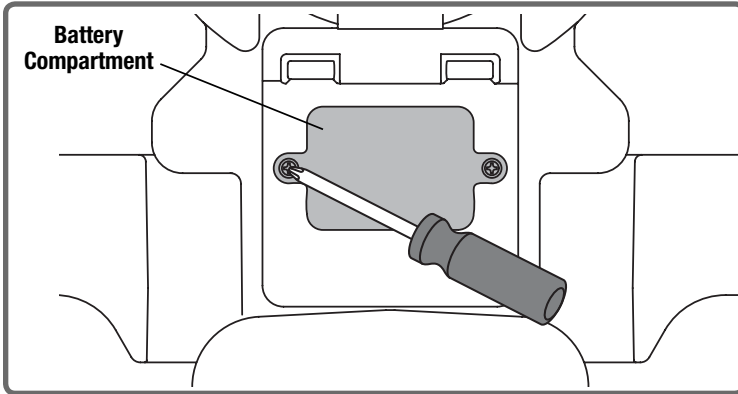
- Pull the lever on the lower post down.
- Insert the upper post into the lower post with the net positioned over the wheels on the base.
- Push the lever into one of the slots on the side of the upper post at the desired height.

# Battery Replacement


**Tip: We recommend the use of alkaline batteries for longer battery life!**



Shown Actual Size



- Locate the battery compartment door on soundbox.
  - Loosen the screws in the battery compartment door with a Phillips screwdriver. Remove the battery compartment door.
  - Insert three "AAA" (LR03) **alkaline** batteries.
- Hint:** We recommend using alkaline batteries for longer battery life.
- Replace the battery compartment door and tighten the screws with a Phillips screwdriver. Do not over-tighten.
  - When sounds become faint or stop, it's time for an adult to change the batteries!

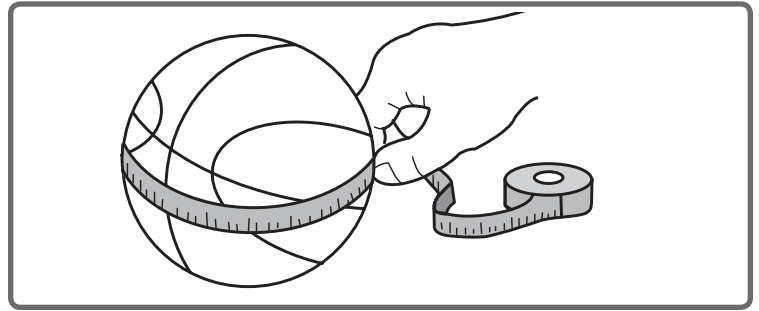
 Protect the environment by not disposing of this product with household waste (2002/96/EC). Check your local authority for recycling advice and facilities (Europe only).

## Battery Safety Information

In exceptional circumstances, batteries may leak fluids that can cause a chemical burn injury or ruin your product. To avoid battery leakage:

- Do not mix old and new batteries or batteries of different types: alkaline, standard (carbon-zinc) or rechargeable (nickel-cadmium).
- Insert batteries as indicated inside the battery compartment.
- Remove batteries during long periods of non-use. Always remove exhausted batteries from the product. Dispose of batteries safely. Do not dispose of this product in a fire. The batteries inside may explode or leak.
- Never short-circuit the battery terminals.
- Use only batteries of the same or equivalent type, as recommended.
- Do not charge non-rechargeable batteries.
- Remove rechargeable batteries from the product before charging.
- If removable, rechargeable batteries are used, they are only to be charged under adult supervision.

# Maintenance



- This toy includes an inflatable ball. If the ball becomes soft, inflate it with a standard, manual air pump with a standard air needle.
- The ball will contain the correct amount of air when its circumference measures about 19-20 inches (48-51 cm). Measure the circumference of the ball with a tape measure or with a piece of string cut 19-20 inches (48-51 cm) long. Do not over-inflate the ball.
- Periodically check all fasteners regularly to be sure they are tight. If the fasteners are not tight, tighten them as necessary.
- Check plastic parts regularly and if broken or cracked, dispose of them properly.

## Celebrates Every Basket with Fun Commentary!



- Locate the power switch on the soundbox.
- Slide the switch on ●.
- Every time you score a basket you'll hear fun commentary.
- Slide the power switch off ○ when you're finished.



## Free Manuals Download Website

<http://myh66.com>

<http://usermanuals.us>

<http://www.somanuals.com>

<http://www.4manuals.cc>

<http://www.manual-lib.com>

<http://www.404manual.com>

<http://www.luxmanual.com>

<http://aubethermostatmanual.com>

Golf course search by state

<http://golfingnear.com>

Email search by domain

<http://emailbydomain.com>

Auto manuals search

<http://auto.somanuals.com>

TV manuals search

<http://tv.somanuals.com>