

## 1. Basketball



## 2. Football



## 3. Soccer



## 4. Baseball



## 5. Hockey



Please keep this instruction sheet for future reference, as it contains important information.

Adult assembly is required.

Tool needed for assembly: Phillips screwdriver (not included).

Water or sand is needed to fill the bases (not included).

**IMPORTANT!** Backboard height should be adjusted only by an adult.

# ASSEMBLED PARTS



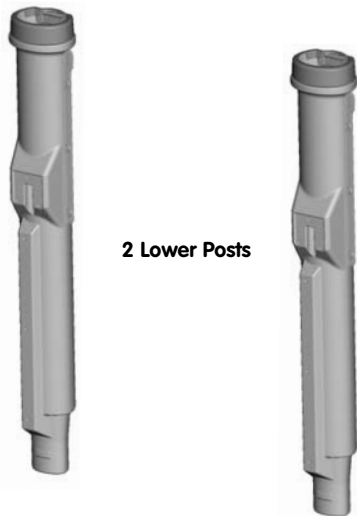
Rim



Backboard



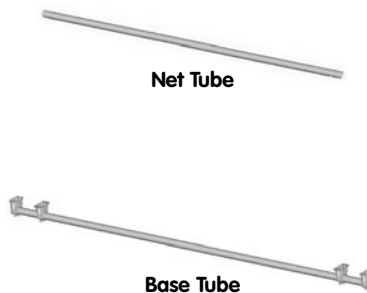
2 Upper Posts



2 Lower Posts



2 Bases



Net Tube

Base Tube



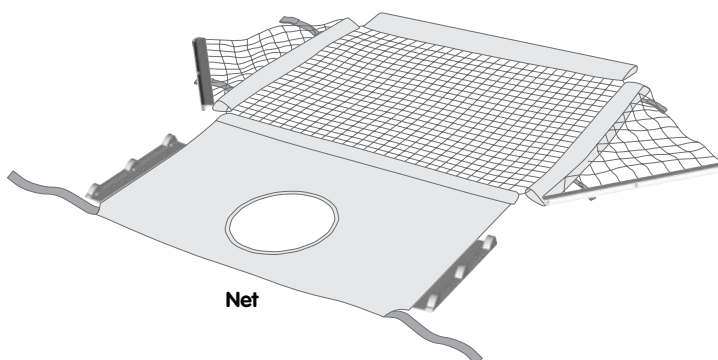
2 Side Tubes



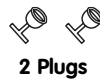
2 Post Covers



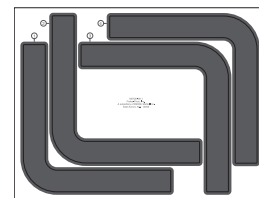
2 Base Covers



Net



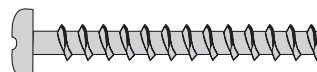
2 Plugs



Label Sheet



#8 x 3/4" Screw - 36



#10 x 1 1/2" Screw - 2

**BOTH SHOWN ACTUAL SIZE**

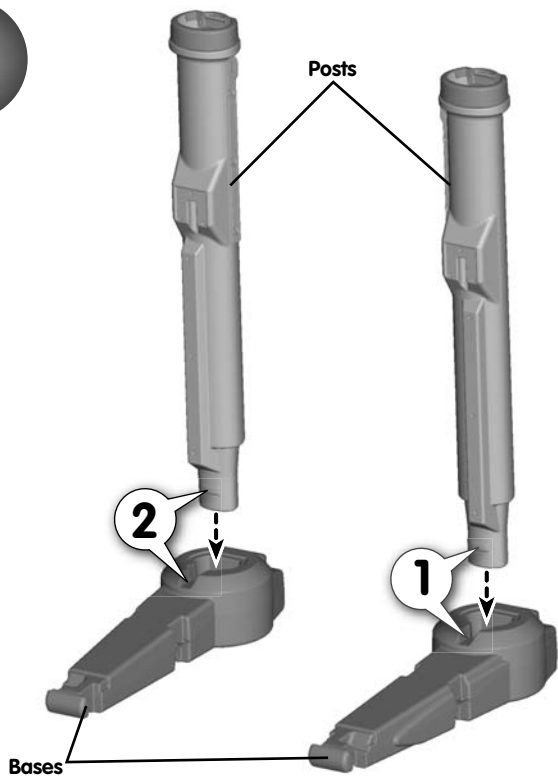
**Note: Tighten all screws with a Phillips screwdriver. Do not over-tighten the screws.**

# ASSEMBLY

## ⚠ CAUTION

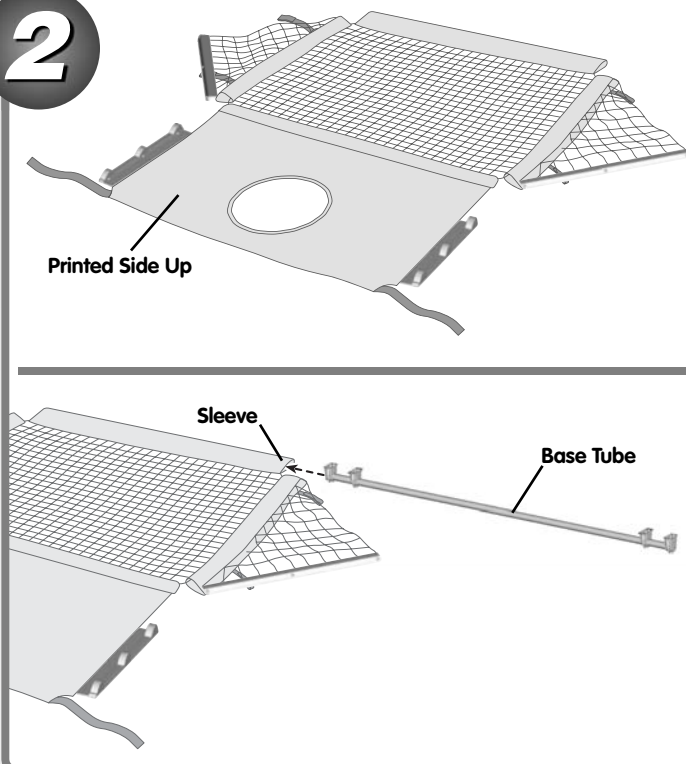
This product contains small parts in its unassembled state. Adult assembly is required.

1



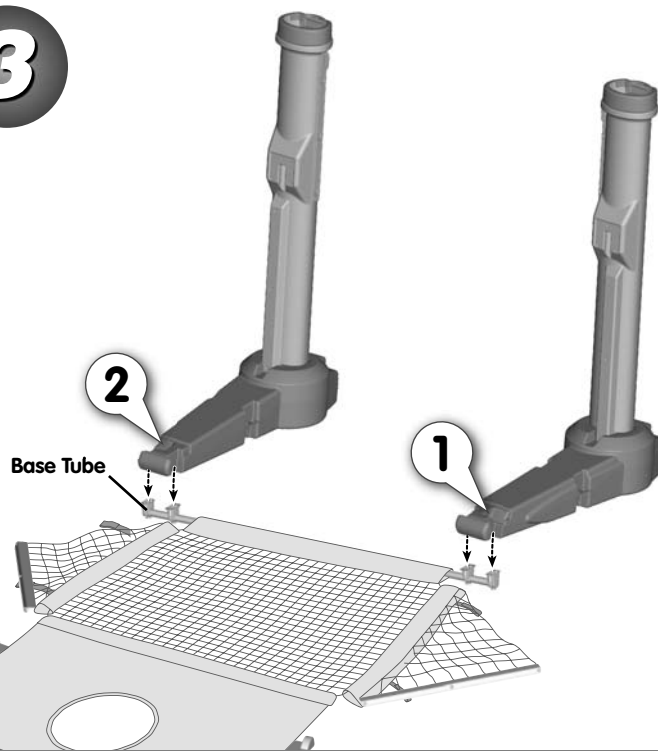
- Place the bases on a flat surface.
- Note the numbers on the bases and on the posts.
- Insert and **“snap”** the post labeled ① into the base labeled ①.
- Insert and **“snap”** the post labeled ② into the base labeled ②.

2



- Place the net, **printed side up**, on a flat surface.
- Slide the base tube through the sleeve on the bottom of the net.

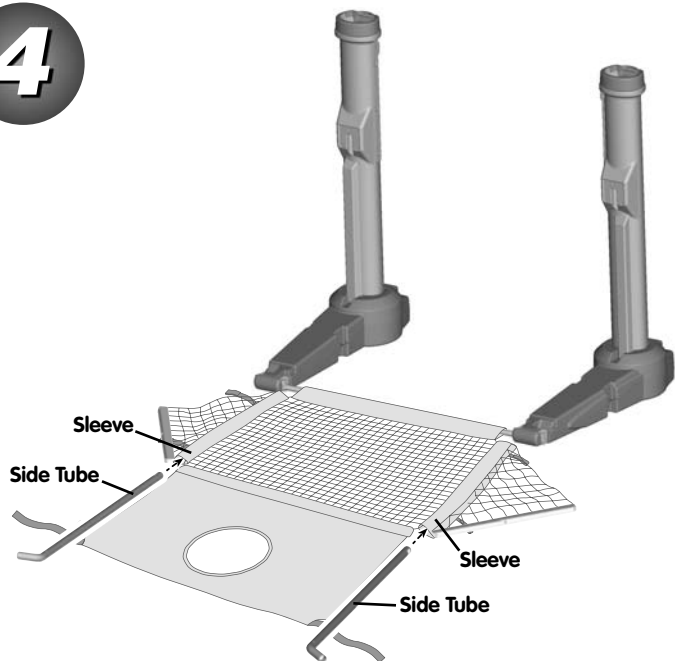
3



- IMPORTANT!** Position the base assemblies as shown. Note the labels ② and ①.
- Place the base assemblies onto the ends of the base tube.

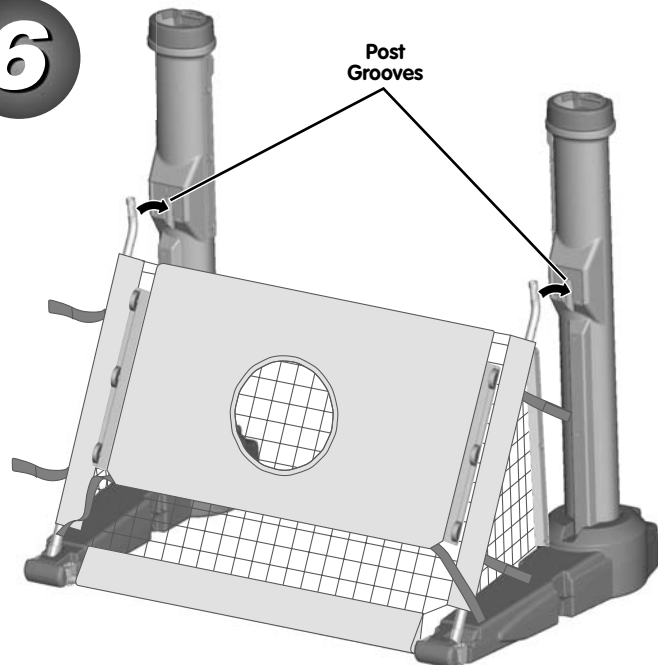
# ASSEMBLY

4



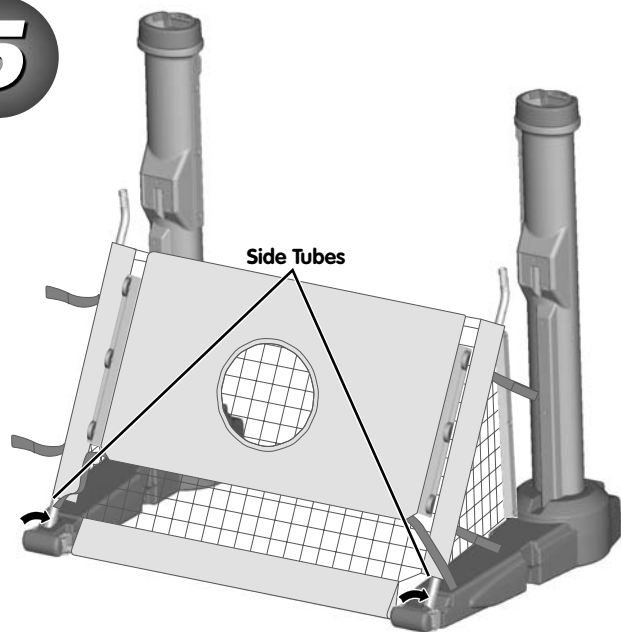
- Slide a side tube, **straight end first**, through the sleeve on each side of the net.

6



- Fit the upper end of the side tubes into the groove in each post.

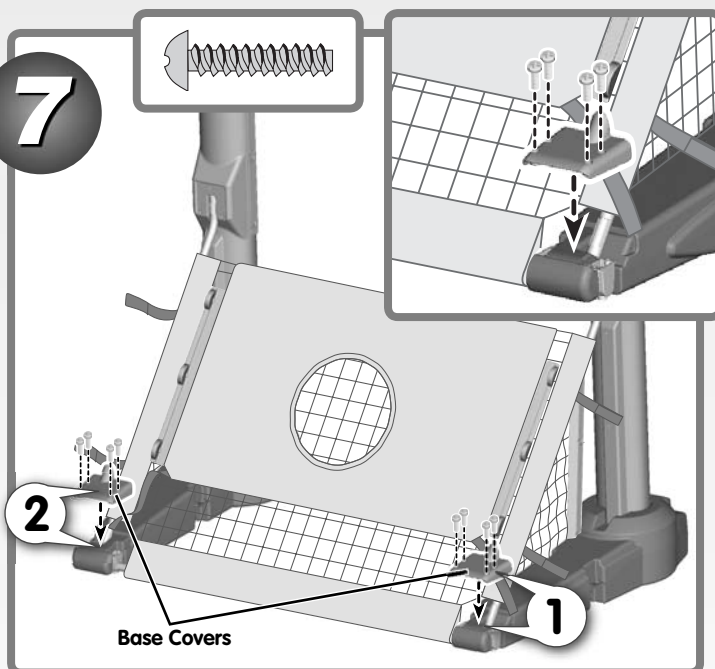
5



- Lift the side tubes up and set the ends in the notch in each base assembly.

*Hint: The top of the net will flop forward.*

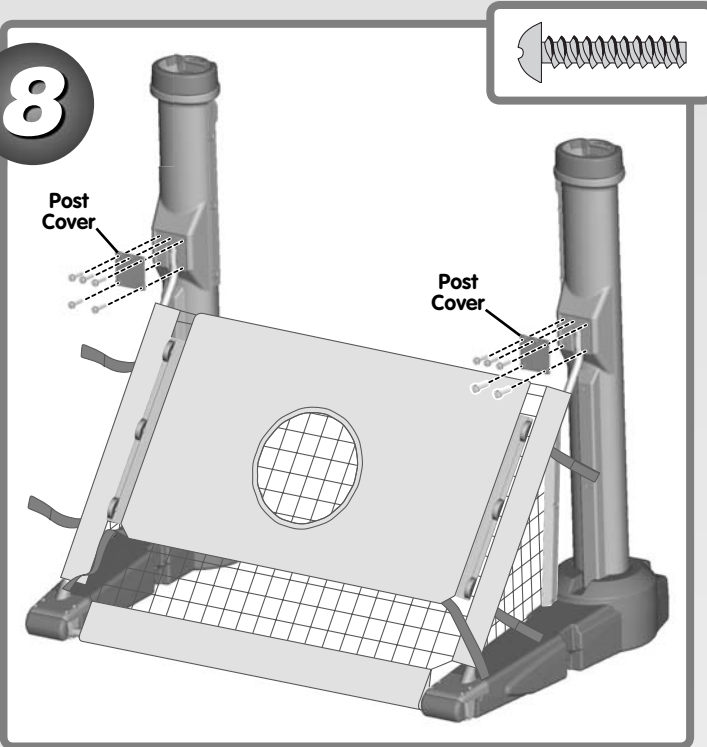
7



- Note the numbers on the base covers.
- Fit the base cover labeled ① onto the base assembly labeled ①.
- Hint: Make sure the net is not under the base cover.*
- Insert four #8 x 3/4" screws into the base cover and tighten.
- Repeat this procedure to attach the other base cover labeled ② to the base assembly labeled ②.

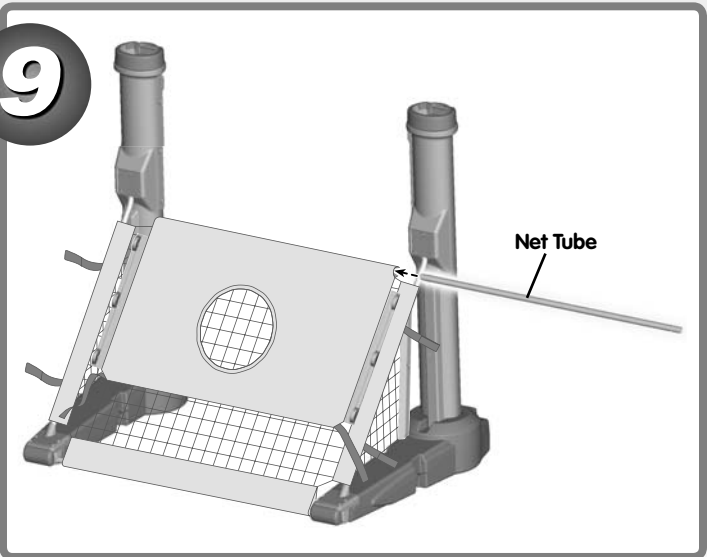
# ASSEMBLY

8



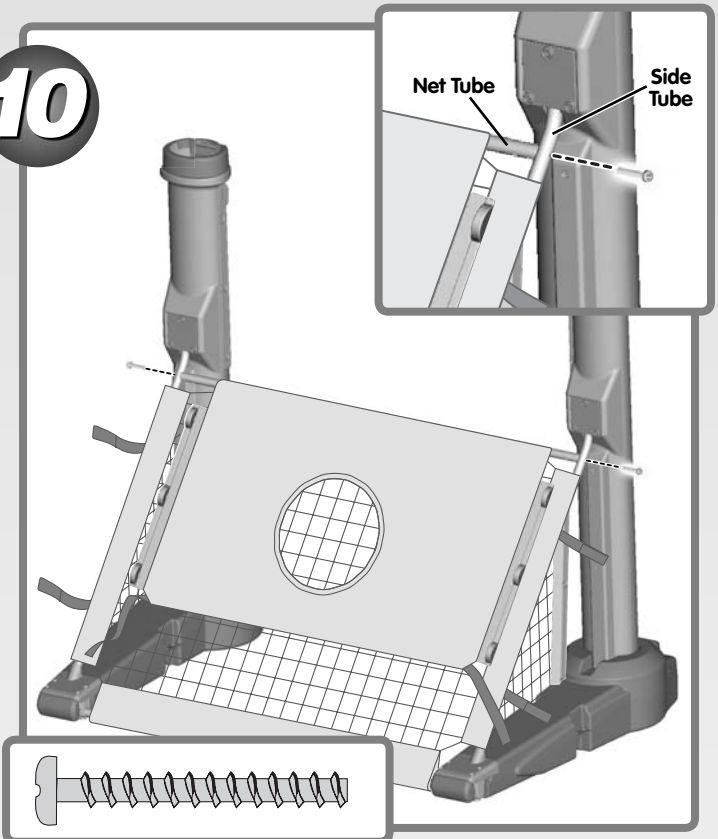
- Fit a post cover over the end of a side tube and onto a post.
- Insert five #8 x 3/4" screws into the post cover and tighten.
- Repeat this procedure to attach the other post cover.

9



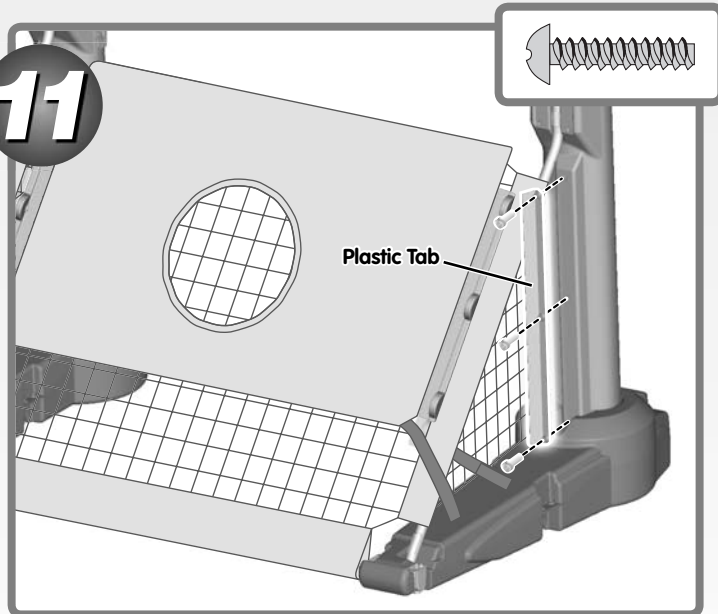
- Fit the net tube through the sleeve in the center of the net.

10



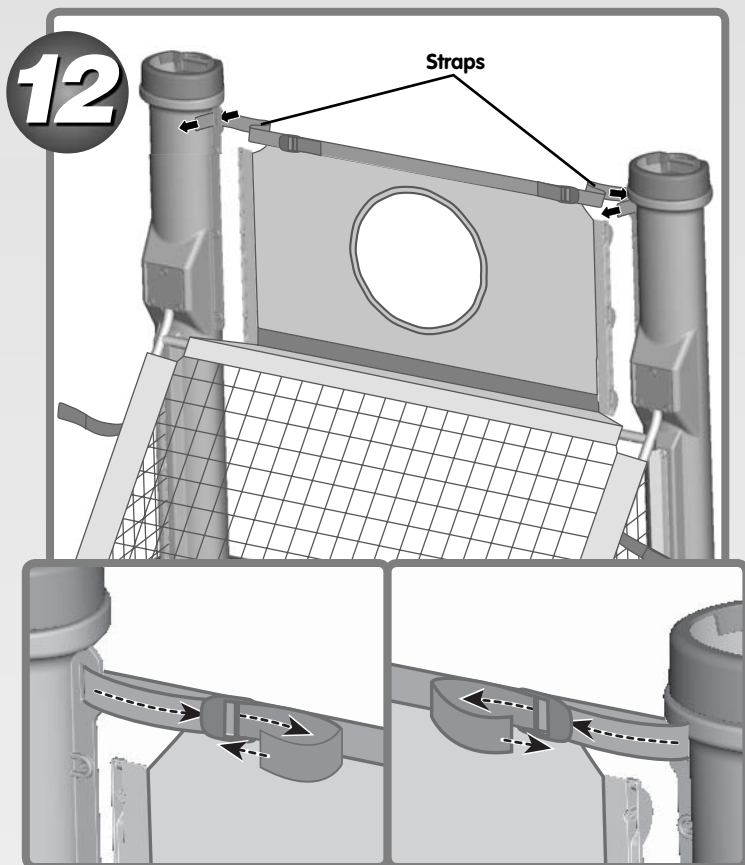
- Line up the holes in the ends of the net tube with the hole in each side tube.
- Insert a #10 x 1 1/2" screw into each side tube and tighten.

11



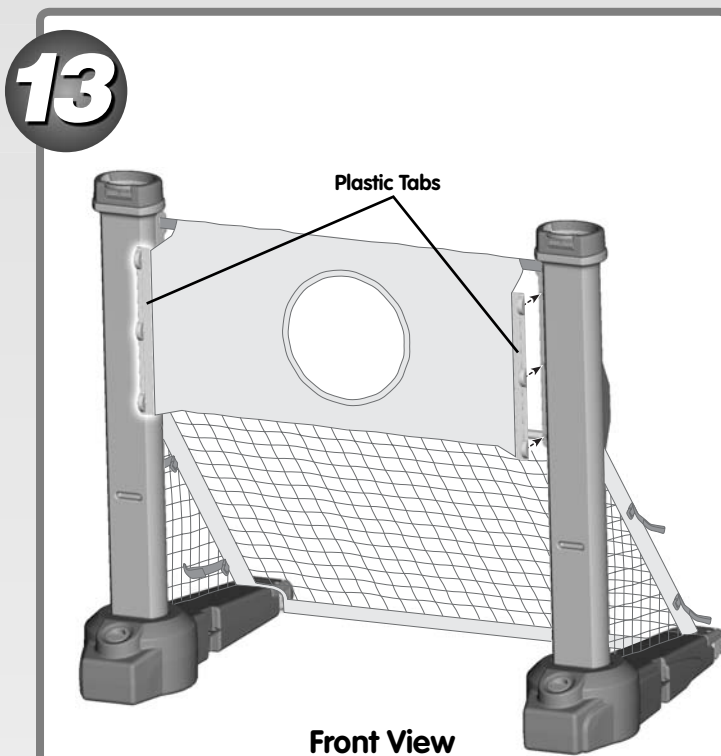
- Line up the holes in a plastic tab on the net side flap with the holes in the post.
- Insert three #8 x 3/4" screws into the plastic tab and tighten.
- Repeat this procedure to attach the plastic tab on the other net side flap to the post.

# ASSEMBLY

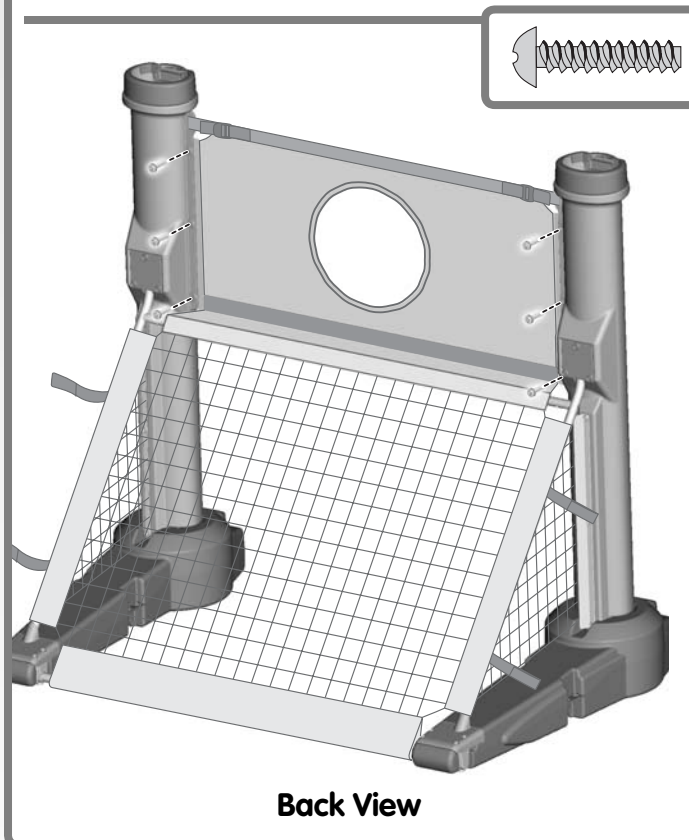


- Lift the top of the net.
- Insert the ends of the straps at the top of the net into the slot near the top of each post.
- Feed the end of the strap up through the center slot in the buckle. Then feed the end of the strap down through the slot at the end of the buckle.

**Note:** Do not completely tighten the straps at this time.



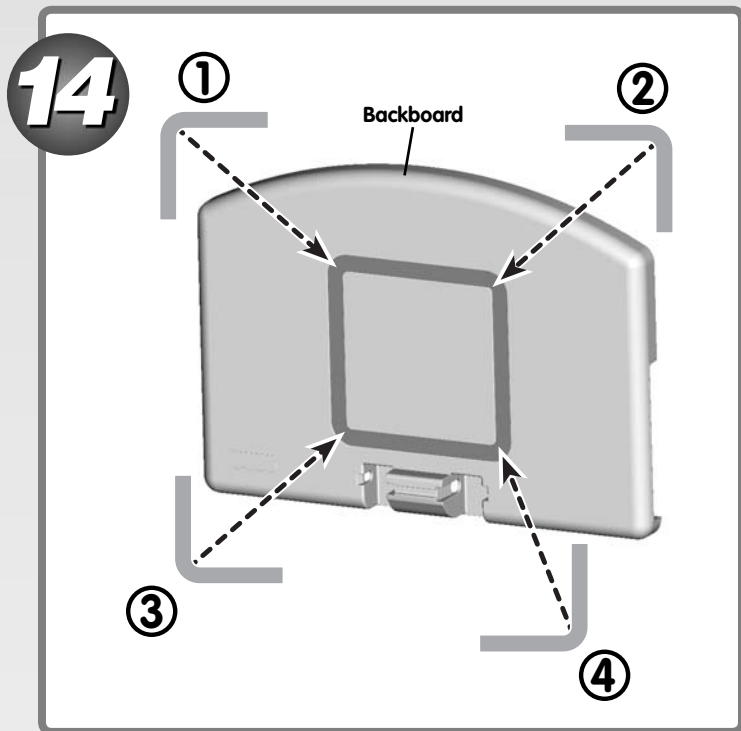
Front View



Back View

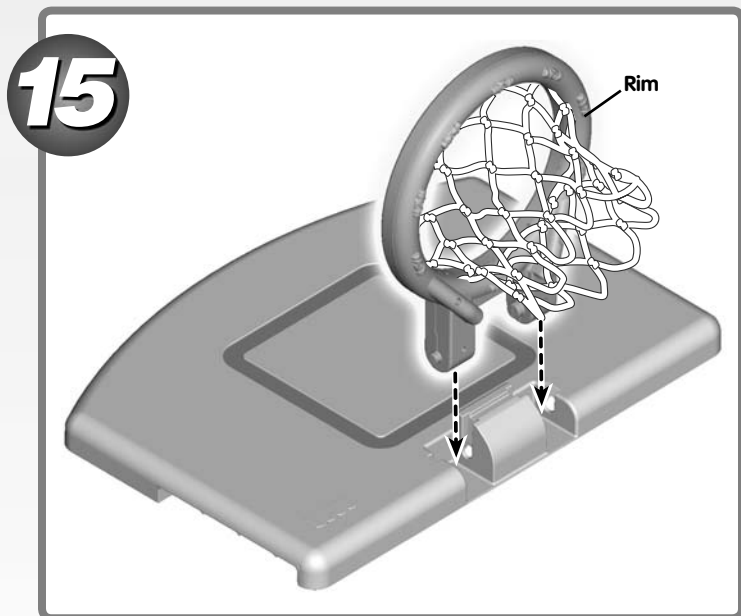
- From the front of the product, line up the holes in the plastic tabs on the upper end of the net with the holes in each post.
- From the back of the product, insert three #8 x 3/4" screws into each post and tighten.

# ASSEMBLY



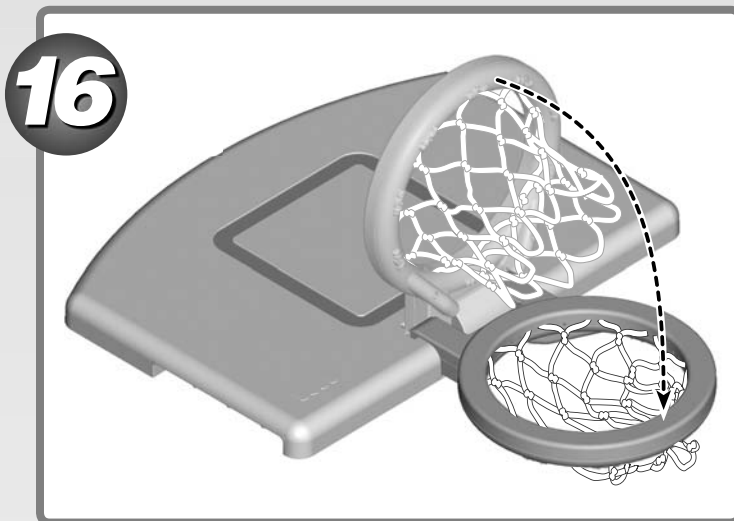
- Wipe the backboard with a soft cloth.
- Carefully peel a label from the label sheet and apply it to the backboard as shown. Smooth out the label to remove any air bubbles.
- Repeat this procedure to apply the remaining labels to the backboard.

**Hint:** These labels are designed to overlap!

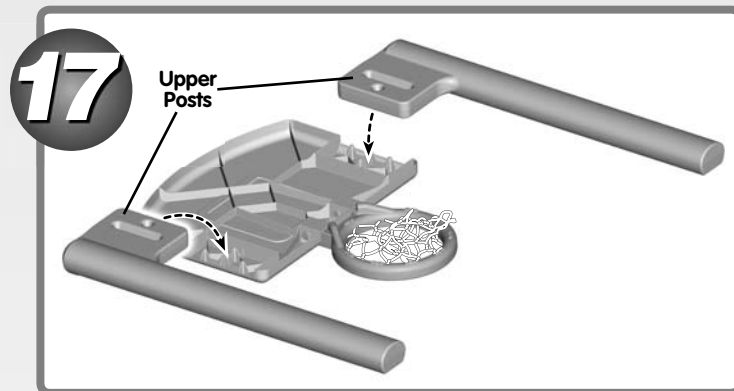


- Snap the rim into the backboard as shown.

**Hint:** The rim can only be assembled one way. If it does not seem to fit, turn it around and try again!

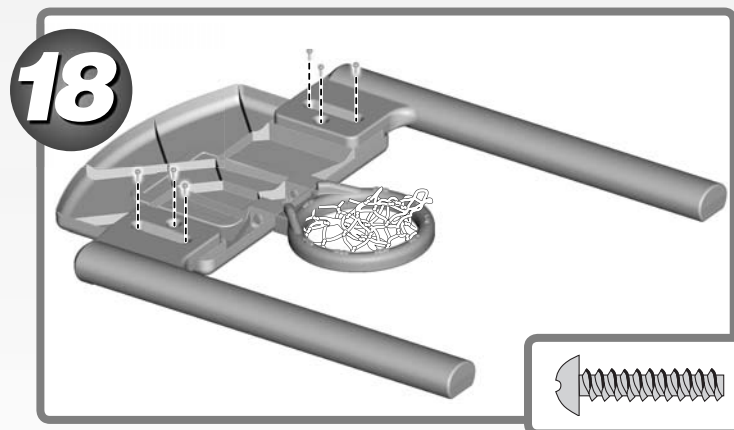


- Pull the rim down, as shown.



- Turn the backboard over.
- Fit the upper posts onto the backboard.

**Hint:** The upper posts only assemble to the backboard one way. If an upper post does not seem to fit on one side of the backboard, try the other side!

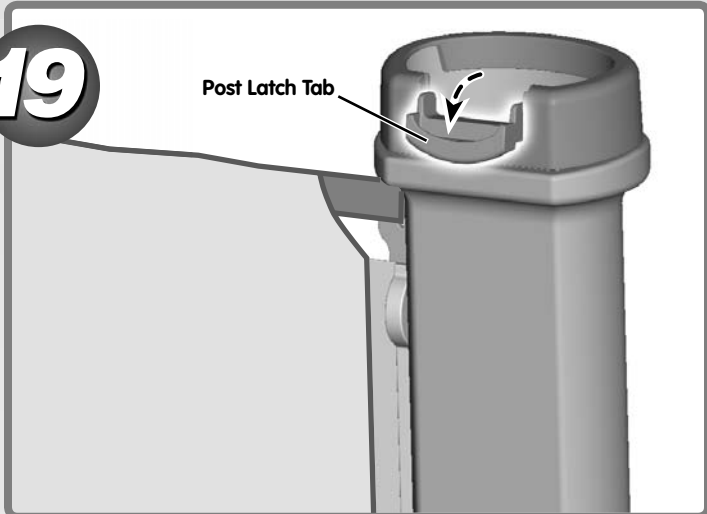


- Insert three #8 x 3/4" screws into each upper post and tighten.

# ASSEMBLY

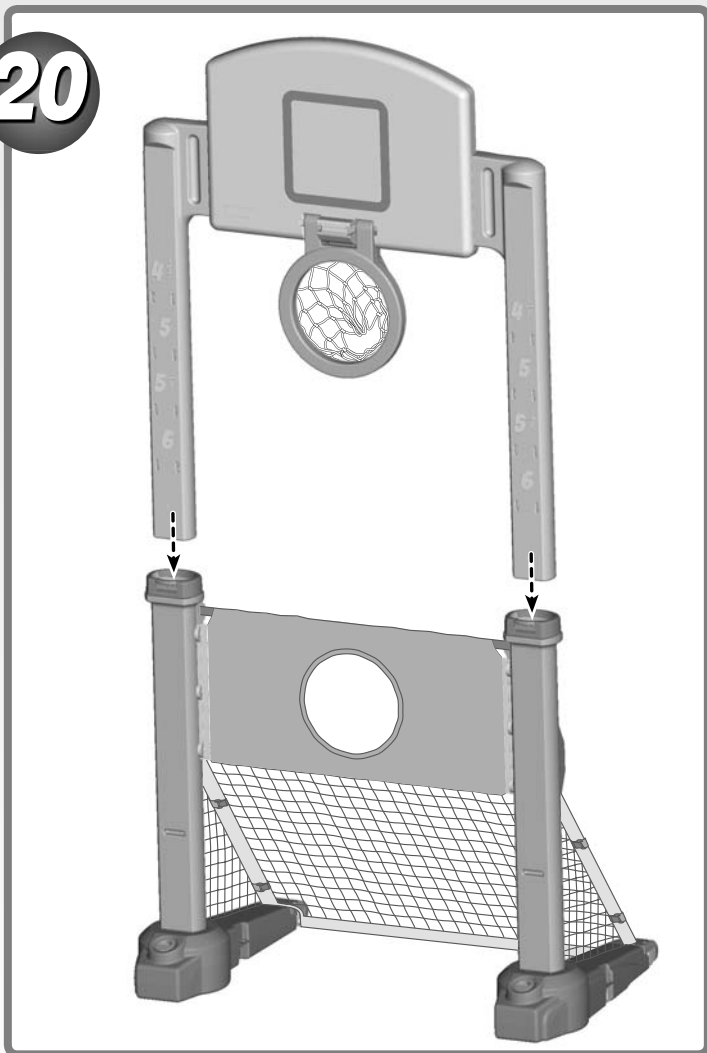
19

Post Latch Tab



- Flip down the post latch tabs.

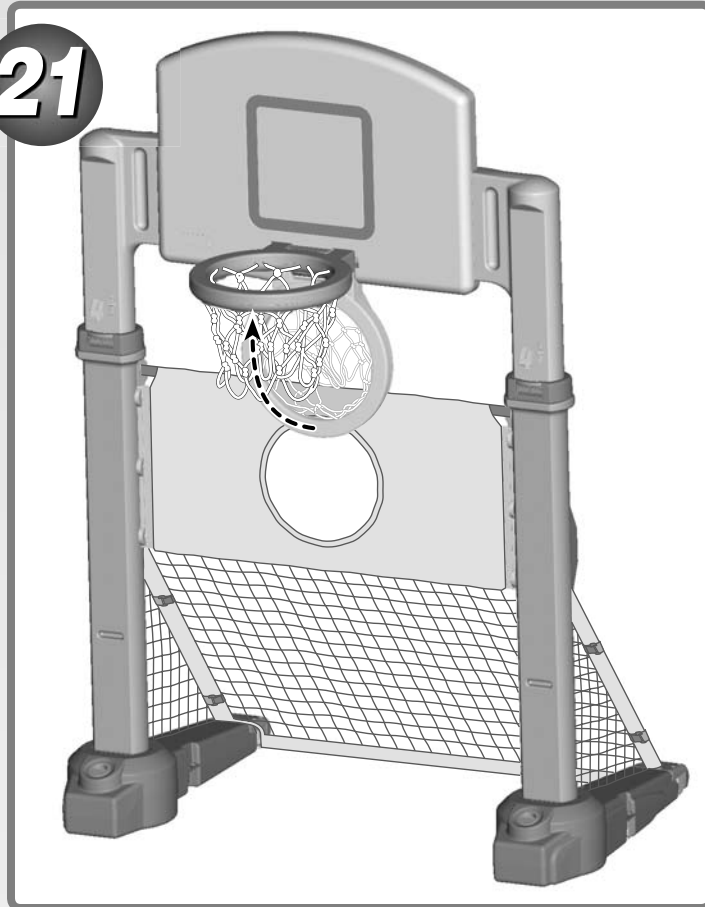
20



**Hint:** You may need the help of another adult with this assembly step.

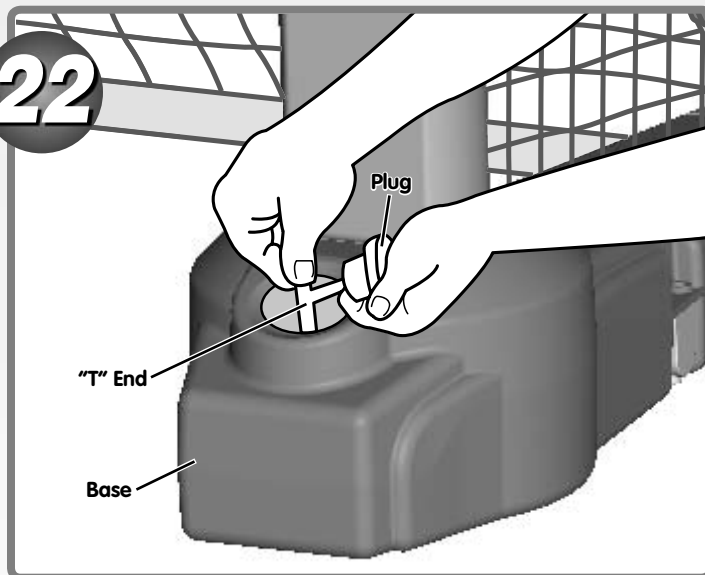
- Fit the ends of the upper posts into the lower posts.

21



- Lift the rim, as shown.

22



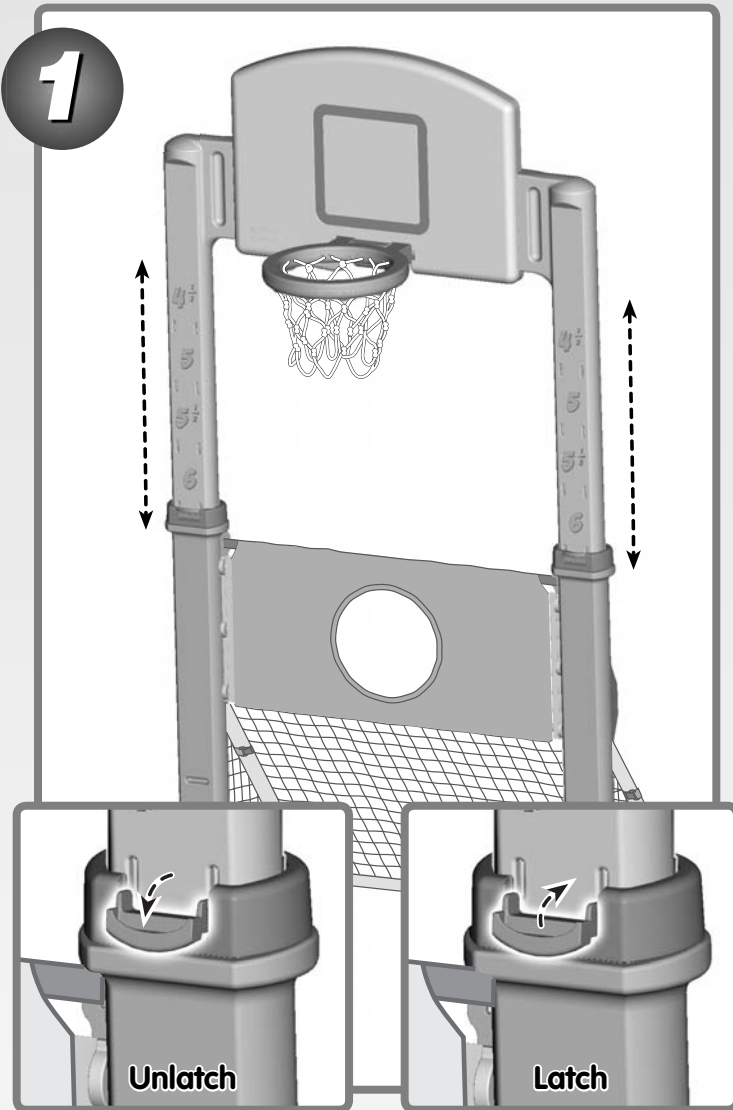
- Bend the "T" end of a plug and insert it into the hole in a base.
- Repeat this procedure to assemble the other plug into the other base.

**Note:** After assembly is complete, fill each base with water or approximately 50 lbs. (22.7 kg) of sand (water and sand not included) to keep this product stationary. Simply lift the plugs, fill the bases, and replace the plugs.

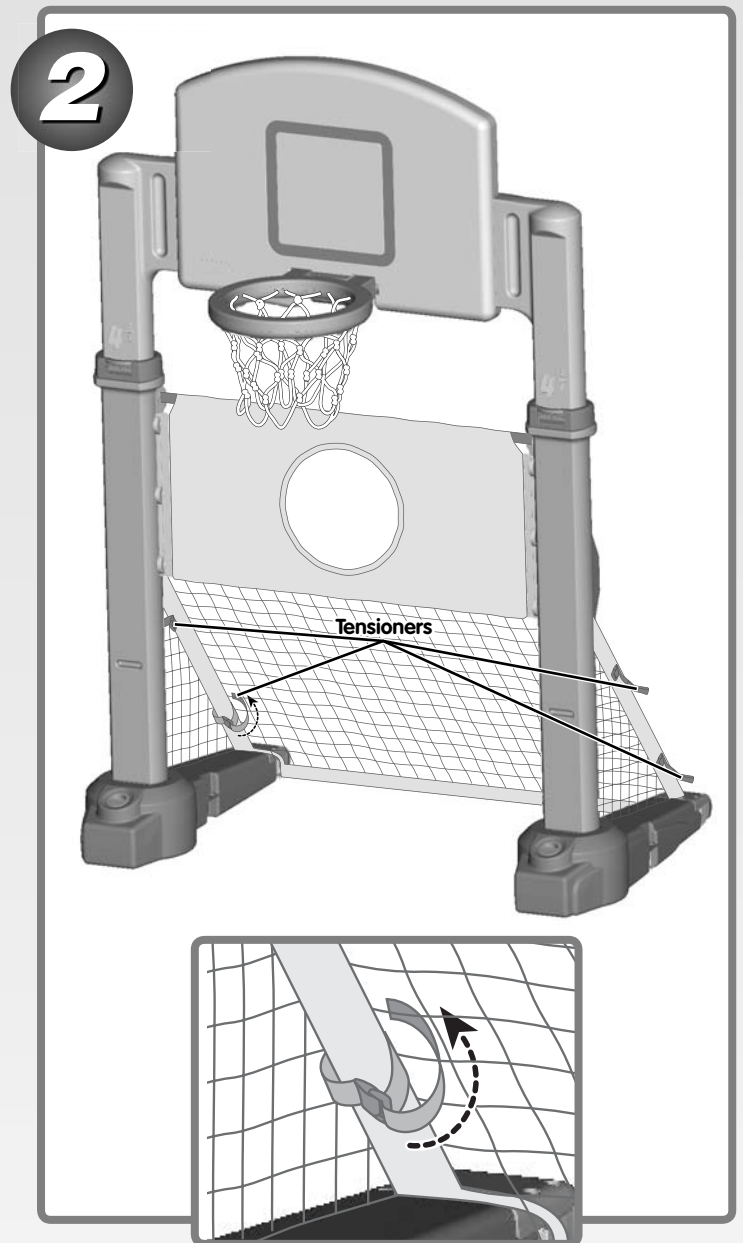


# ADJUSTMENTS

**IMPORTANT!** Rim height should only be adjusted by an adult. Make sure children are not standing below the rim when adjusting the rim height.



- Rim height can be adjusted from 4.5 - 6 feet.
- **To lower the rim height:** While holding an upper post, flip the latch on the lower post down. Lower the upper post to the desired height. Flip the latch into the groove to secure in place.
- Repeat this procedure to lower the other upper post. Make sure both posts are secured in position at the same height.
- **To raise the rim height:** Simply lift an upper post to the desired height. Flip the latch into the groove to secure in place.
- Repeat this procedure to raise the other upper post. Make sure both posts are secured in position at the same height.



- To adjust the tensioners on the back of the net, pull the free end of the strap to the desired tightness.
- Secure the fasteners on the free end of the strap.

# 5 SPORTS IN ONE!

**IMPORTANT!** Only use the balls and hockey stick supplied with this toy.



**BASKETBALL**



**FOOTBALL**



**BASEBALL**

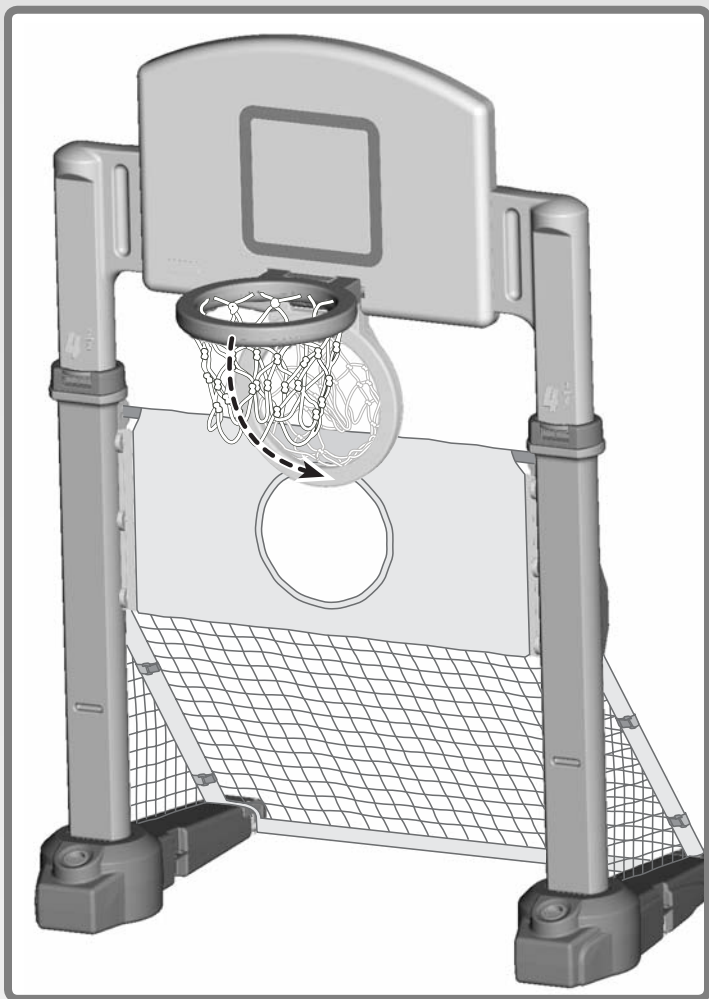


**SOCCER**

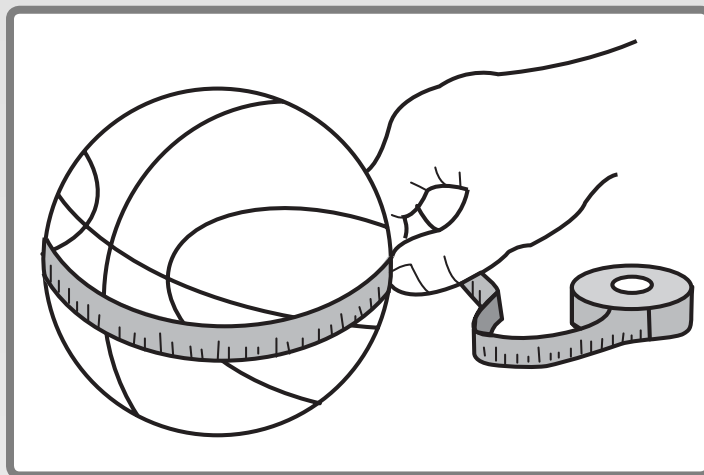


**HOCKEY**

# CARE AND MAINTENANCE



- Fold the basketball net down for storage.
- To clean, use a clean, damp cloth. Be sure to remove soap residue.
- We recommend indoor storage if this product will not be used for an extended period of time.
- Do not leave this toy outside in freezing weather. Water left inside the bases will freeze and possibly damage the bases.
- Check all fasteners regularly to be sure they are tight. If the fasteners are not tight, tighten them as necessary.
- Check plastic parts regularly and if broken or cracked, dispose of them properly.



- This toy includes three inflatable balls. If a ball becomes soft, inflate it with a standard, manual air pump with a standard air needle.
- The balls will contain the correct amount of air when the circumference measures:
  - Basketball: 19-20" (48-50 cm)
  - Soccer Ball: 17" (43 cm)
  - Football: 12" (30 cm)
- Measure the circumference of each ball with a tape measure or a piece of string cut to the appropriate length. Do not over-inflate the balls.



**CONSUMER ASSISTANCE**  
Call toll free: 1-800-432-5437 (US & Canada only)  
M-F 9AM to 7PM / SAT 11AM to 5PM (EST)

**service.fisher-price.com**

Write to us at: Fisher-Price® Consumer Relations,  
636 Girard Avenue, East Aurora, New York 14052.

Hearing-impaired consumers using TTY/TDD equipment,  
please call 1-800-382-7470.

---

*In Mexico: 59-05-51-00 Ext. 5206 ó 01-800-46359-89*  
*In Brasil: 0800 550780*

**For countries outside the United States:**

**CANADA** Questions? 1-800-432-5437. Mattel Canada Inc., 6155 Freemont Blvd., Mississauga, Ontario L5R 3W2; [www.service.mattel.com](http://www.service.mattel.com).

**GREAT BRITAIN:** Mattel UK Ltd, Vanwall Business Park, Maidenhead SL6 4UB. Helpline: 01628 500303; [www.service.mattel.com/uk](http://www.service.mattel.com/uk).

**AUSTRALIA:** Mattel Australia Pty. Ltd., 658 Church Street, Locked Bag #870, Richmond, Victoria 3121 Australia. Consumer Advisory Service 1300 135 312.

**NEW ZEALAND:** 16-18 William Pickering Drive, Albany 1331, Auckland.

**ASIA:** Mattel East Asia Ltd, Room 1106, South Tower, World Finance Centre, Harbour City, Tsimshatsui, HK, China.

Fisher-Price, Inc., a subsidiary of Mattel, Inc., East Aurora, New York 14052 U.S.A.  
©2008 Mattel, Inc. All Rights Reserved. © and ™ designate U.S. trademarks of Mattel, Inc.

## Free Manuals Download Website

<http://myh66.com>

<http://usermanuals.us>

<http://www.somanuals.com>

<http://www.4manuals.cc>

<http://www.manual-lib.com>

<http://www.404manual.com>

<http://www.luxmanual.com>

<http://aubethermostatmanual.com>

Golf course search by state

<http://golfingnear.com>

Email search by domain

<http://emailbydomain.com>

Auto manuals search

<http://auto.somanuals.com>

TV manuals search

<http://tv.somanuals.com>