

Fisher-Price®

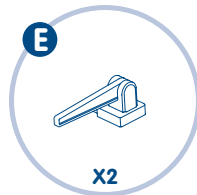
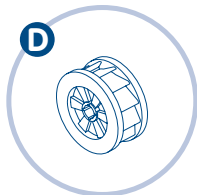
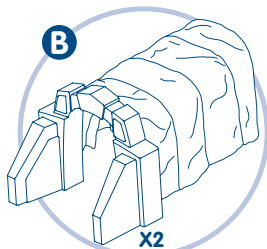
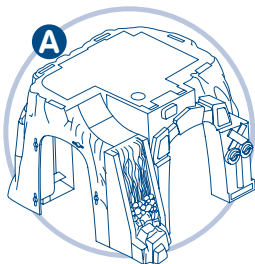
www.fisher-price.com



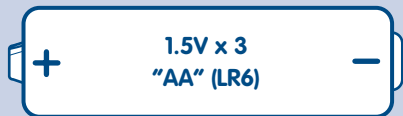
GeoTrax
Rail & Road System

Parts

- A. Tunnel Base
- B. 2 Fabric Tunnels
- C. Tunnel Top
- D. Water Wheel
- E. 2 Crossing Gates



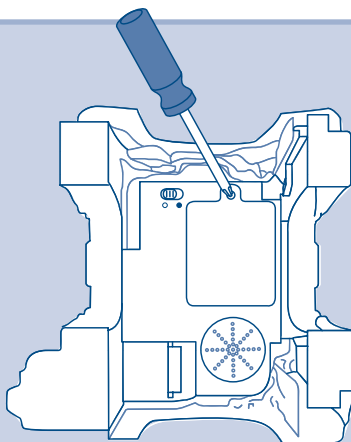
Battery Installation



- Locate the battery compartment on the underside of the tunnel base.
- Loosen the screw in the battery compartment door with a Phillips screwdriver. Remove the battery compartment door.
- Insert three "AA" (LR6) alkaline batteries.

We recommend the use of alkaline batteries for longer battery life.

- Replace the battery compartment door and tighten the screw with a Phillips screwdriver. Do not over-tighten.
- When sounds or motions become faint or stop, it's time for an adult to change the batteries.



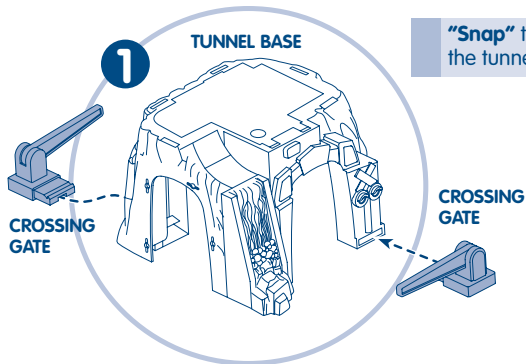
BOTTOM VIEW

Battery Safety Information

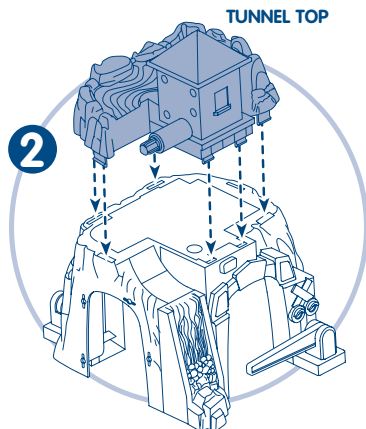
In exceptional circumstances, batteries may leak fluids that can cause a chemical burn injury or ruin your toy. To avoid battery leakage:

- Do not mix old and new batteries or batteries of different types: alkaline, standard (carbon-zinc) or rechargeable (nickel-cadmium).
- Insert batteries as indicated inside the battery compartment.
- Remove batteries during long periods of non-use. Always remove exhausted batteries from the toy. Dispose of batteries safely. Do not dispose of the product in a fire. The batteries inside may explode or leak.
- Never short-circuit the battery terminals.
- Use only batteries of the same or equivalent type, as recommended.
- Do not charge non-rechargeable batteries.
- Remove rechargeable batteries from the toy before charging.
- If removable, rechargeable batteries are used, they are only to be charged under adult supervision.

Assembly



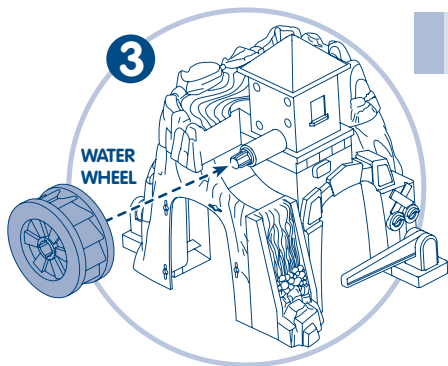
“Snap” the crossing gates into the tunnel base.



“Snap” the tunnel top to the tunnel base.

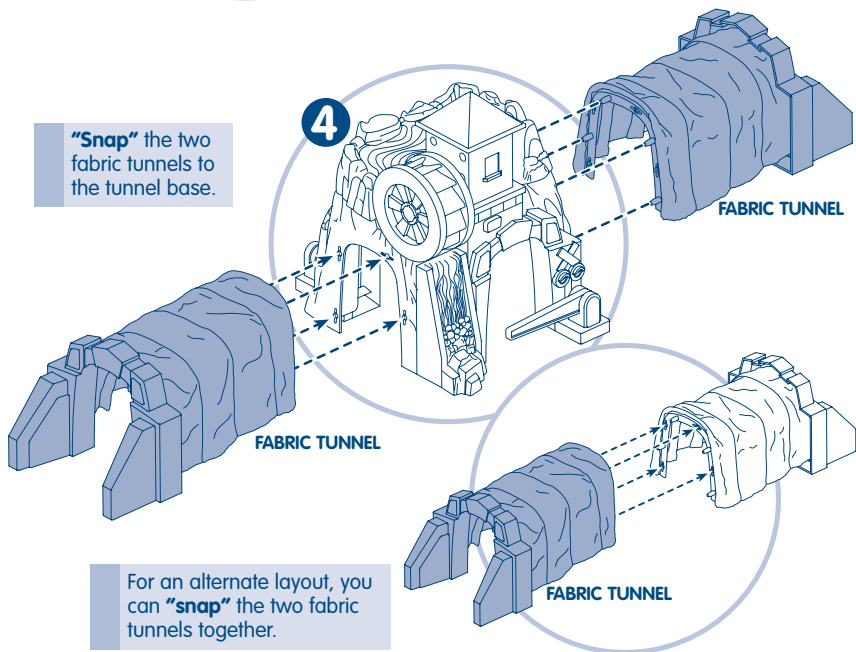
Assembly

3



"Snap" the water wheel to the tunnel top.

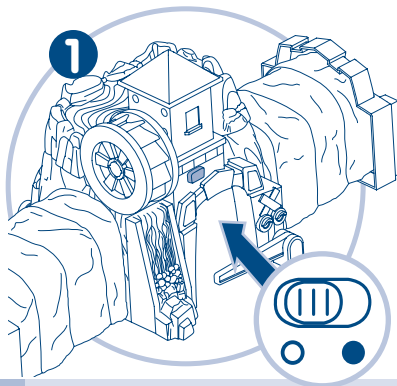
4



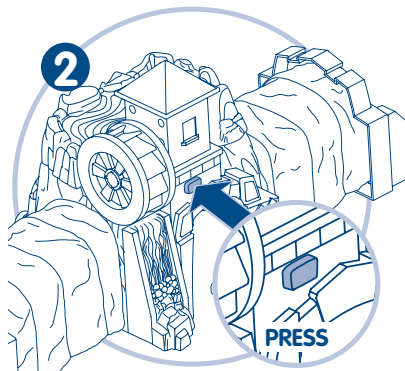
"Snap" the two fabric tunnels to the tunnel base.

For an alternate layout, you can "snap" the two fabric tunnels together.

A Spinning Wheel and Fun Sounds!



- Locate the power switch.
- Slide the switch to the ● position to turn the toy on and the ○ position to turn the toy off.



Press the action button to turn on the tunnel.



Drive your engine through the tunnel. GeoMotion™ makes the water wheel spin along with fun sound effects.

GeoTrax® RC vehicle, track and play pieces sold separately and subject to availability.

Hints:

- If the a train does not pass through the tunnel in a few minutes, the tunnel turns off automatically. Press the action button again to turn the tower back on.
- The tunnel's GeoMotion™ and sound features are activated by contrast in lighting. This feature may not work if the toy is in very bright light or direct sunlight.
Please keep the tunnel out of bright light or direct sunlight.

So Many Ways to Set It Up!



Visit www.fisher-price.com to see the entire world of GeoTrax® accessories!

Please keep this instruction sheet for future reference,
as it contains important information.

Requires three "AA" (LR6) **alkaline** batteries (not included).

Adult assembly is required.

Tool required for battery installation: Phillips screwdriver (not included).

Visit us on-line at www.service.fisher-price.com.

Call Fisher-Price® Consumer Relations, toll-free at 1-800-432-5437,
8 AM - 6 PM EST Monday through Friday. Hearing-impaired
consumers using TTY/TDD equipment, please call 1-800-382-7470.

Write to us at:

Fisher-Price® Consumer Relations
636 Girard Avenue, East Aurora, New York 14052

For countries outside the United States:

CANADA: Questions? 1-800-432-5437. Mattel Canada Inc., 6155 Freemont Blvd., Mississauga, Ontario L5R 3W2;
www.service.mattel.com.

GREAT BRITAIN: Mattel UK Ltd, Vanwall Business Park, Maidenhead SL6 4UB.
Helpline: 01628 500303; www.service.mattel.com/uk.

AUSTRALIA: Mattel Australia Pty. Ltd., 658 Church Street, Locked Bag #870, Richmond, Victoria 3121 Australia.
Consumer Advisory Service 1300 135 312.

NEW ZEALAND: 16-18 William Pickering Drive, Albany 1331, Auckland.

ASIA: Mattel East Asia Ltd, Room 1106, South Tower, World Finance Centre, Harbour City, Tsimshatsui, HK, China.

Fisher-Price, Inc., a subsidiary of Mattel, Inc., East Aurora, NY 14052 U.S.A.

©2005 Mattel, Inc. All Right Reserved. ® and ™ designate U.S. trademarks of Mattel, Inc.

Free Manuals Download Website

<http://myh66.com>

<http://usermanuals.us>

<http://www.somanuals.com>

<http://www.4manuals.cc>

<http://www.manual-lib.com>

<http://www.404manual.com>

<http://www.luxmanual.com>

<http://aubethermostatmanual.com>

Golf course search by state

<http://golfingnear.com>

Email search by domain

<http://emailbydomain.com>

Auto manuals search

<http://auto.somanuals.com>

TV manuals search

<http://tv.somanuals.com>