

Musical Learning Chair™ with activity table

Please keep this instruction sheet for future reference, as it contains important information.

Requires three "AA" batteries (included).

Adult assembly is required for battery replacement.

Tool required for battery replacement: Phillips screwdriver (not included).



Laugh & Learn™

Before Use

⚠ CAUTION

Please keep small parts such as plastic tabs out of children's reach. Throw the plastic tab away.

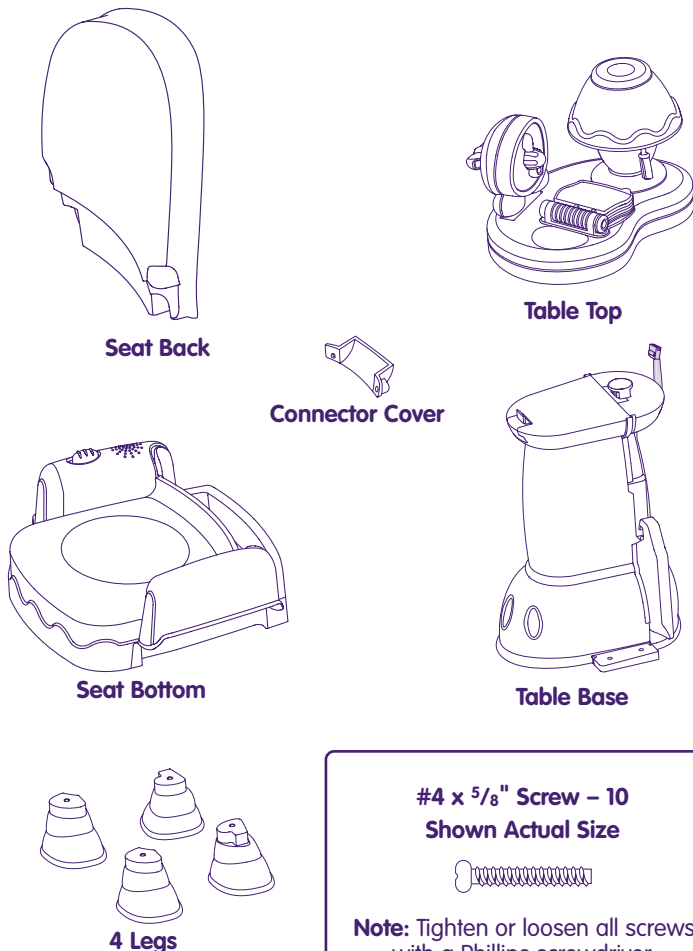
Note: A plastic tab is attached to the toy for in-store demonstration purposes.

While the tab may have already been removed, check the chair bottom to be sure. If the plastic tab is still attached, pull and remove the tab from the toy. Throw the plastic tab away.

Parts

⚠ CAUTION

This toy contains small parts in its unassembled state. Adult assembly is required.

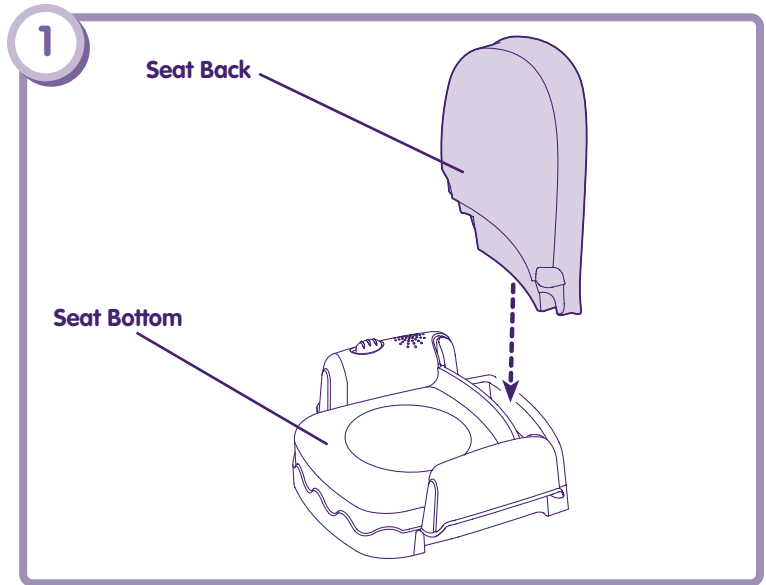


#4 x 5/8" Screw – 10
Shown Actual Size

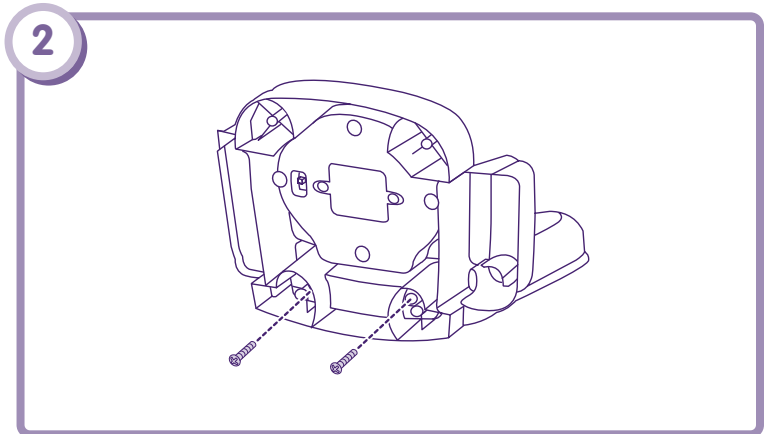


Note: Tighten or loosen all screws with a Phillips screwdriver. Do not over-tighten the screws.

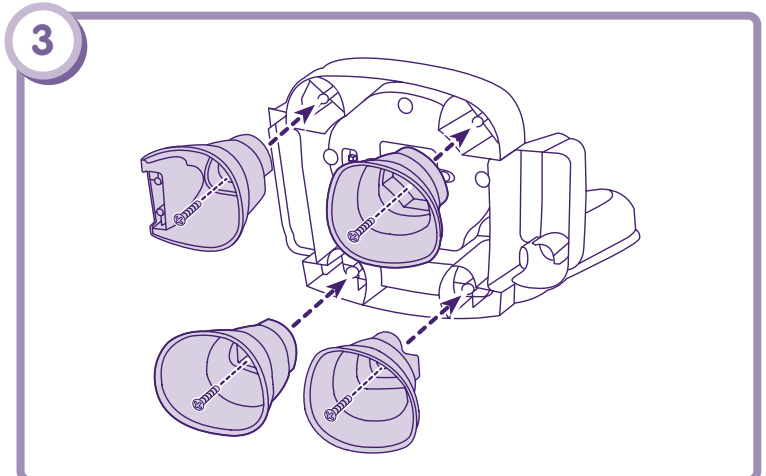
Assembly



- Fit the chair back into the chair bottom, as shown.



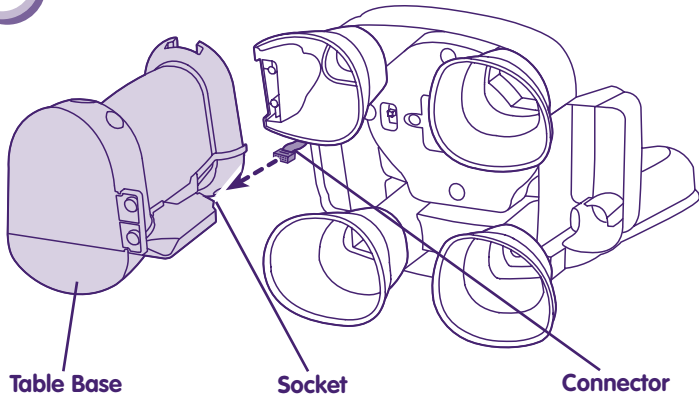
- Position the chair assembly so the bottom is facing you.
- Insert two screws through the chair bottom and into the base. Tighten the screws.



- Fit the four legs to the chair bottom, as shown.
- Note:** each leg fits in only one location.
- Insert a screw into each of the four legs. Tighten the screws.

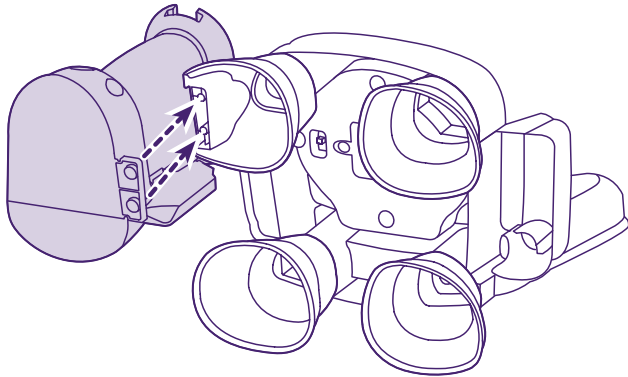
Assembly

4



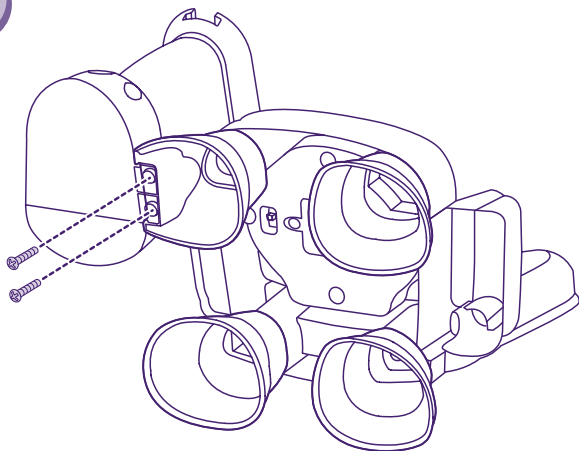
- Locate the connector coming from underside of the chair bottom.
- Insert the connector into the socket on the table leg, as shown.

5



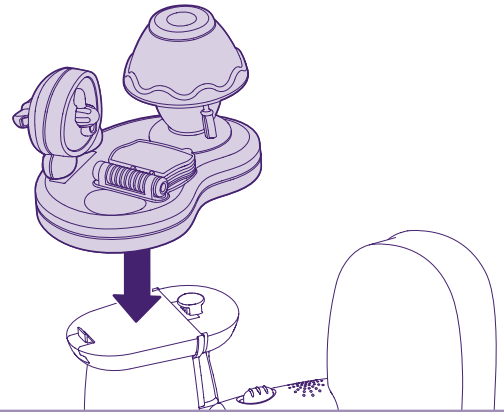
- Slide the table base onto the chair assembly, as shown.

6



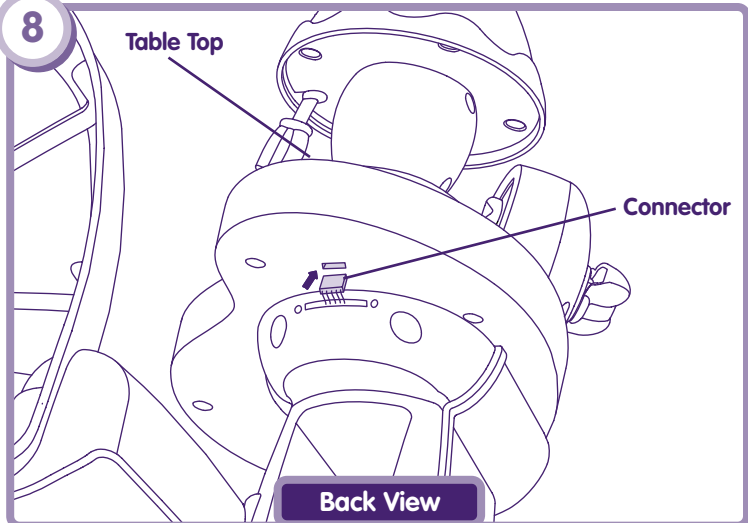
- Insert two screws through the table base into the leg. Tighten the screws.

7



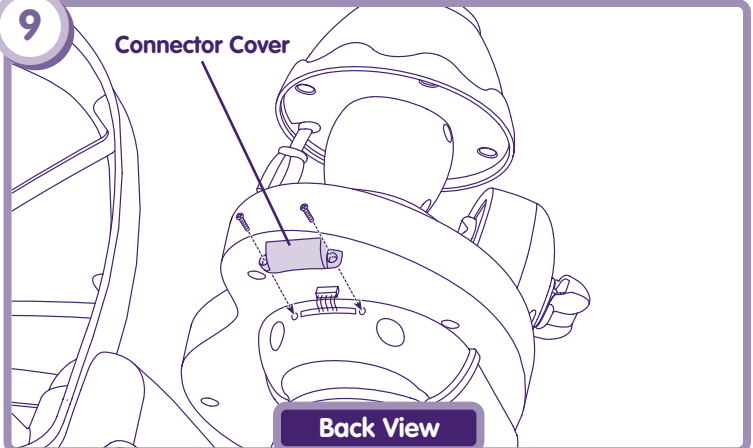
- Press down firmly to **“snap”** the table top onto the table base.
- Note:** This may require some force.

8



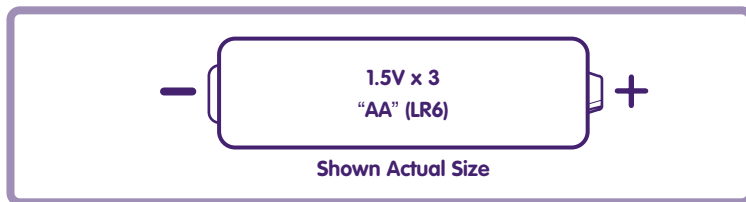
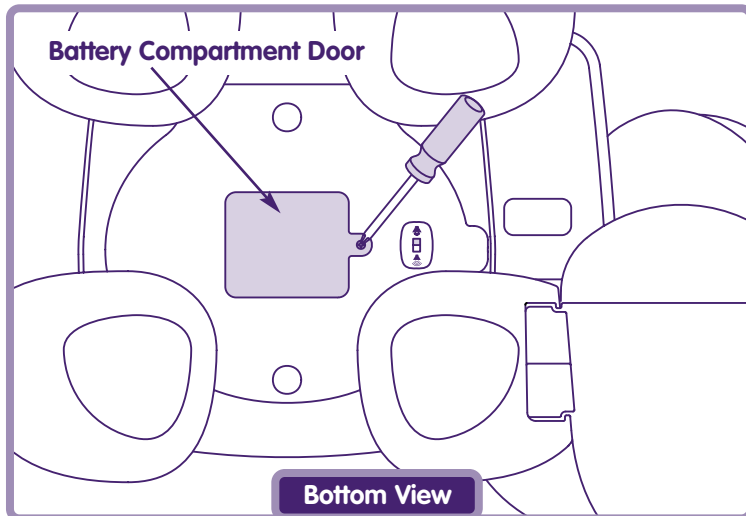
- Locate the connector coming from the table base.
- Insert and **“snap”** the connector into the socket on the underside of the table top.
- Tuck the excess wire from the connector back down into the opening in the table base.

9



- Fit the connector cover onto the back of the table base, as shown.
 - Insert two screws into connector cover. Tighten the screws.
- Assembly is now complete.**

Battery Replacement



For best performance, we recommend replacing the batteries that came with this toy with three, new alkaline "AA" (LR6) batteries.

- Locate the battery compartment on the underside of the chair.
- Loosen the screw in the battery compartment door with a Phillips screwdriver. Remove the battery compartment door.
- Insert three "AA" (LR6) **alkaline** batteries, as indicated inside the battery compartment.

Hint: We recommend using **alkaline** batteries for longer life.

- Replace the battery compartment door and tighten the screw with a Phillips screwdriver. Do not over-tighten.
- When lights or sounds from this toy become faint or stop, it's time for an adult to change the batteries!

Battery Safety Information

Batteries may leak fluids that can cause a chemical burn injury or ruin your toy. To avoid battery leakage:

- Do not mix old and new batteries or batteries of different types: alkaline, standard (carbon-zinc) or rechargeable (nickel-cadmium).
- Insert batteries as indicated inside the battery compartment.
- Remove batteries during long periods of non-use. Always remove exhausted batteries from the toy. Dispose of batteries safely. Do not dispose of batteries in a fire. The batteries may explode or leak.
- Never short-circuit the battery terminals.
- Use only batteries of the same or equivalent type, as recommended.
- Do not charge non-rechargeable batteries.
- Remove rechargeable batteries from the toy before charging.
- If removable, rechargeable batteries are used, they are only to be charged under adult supervision.

FCC Note (United States Only)

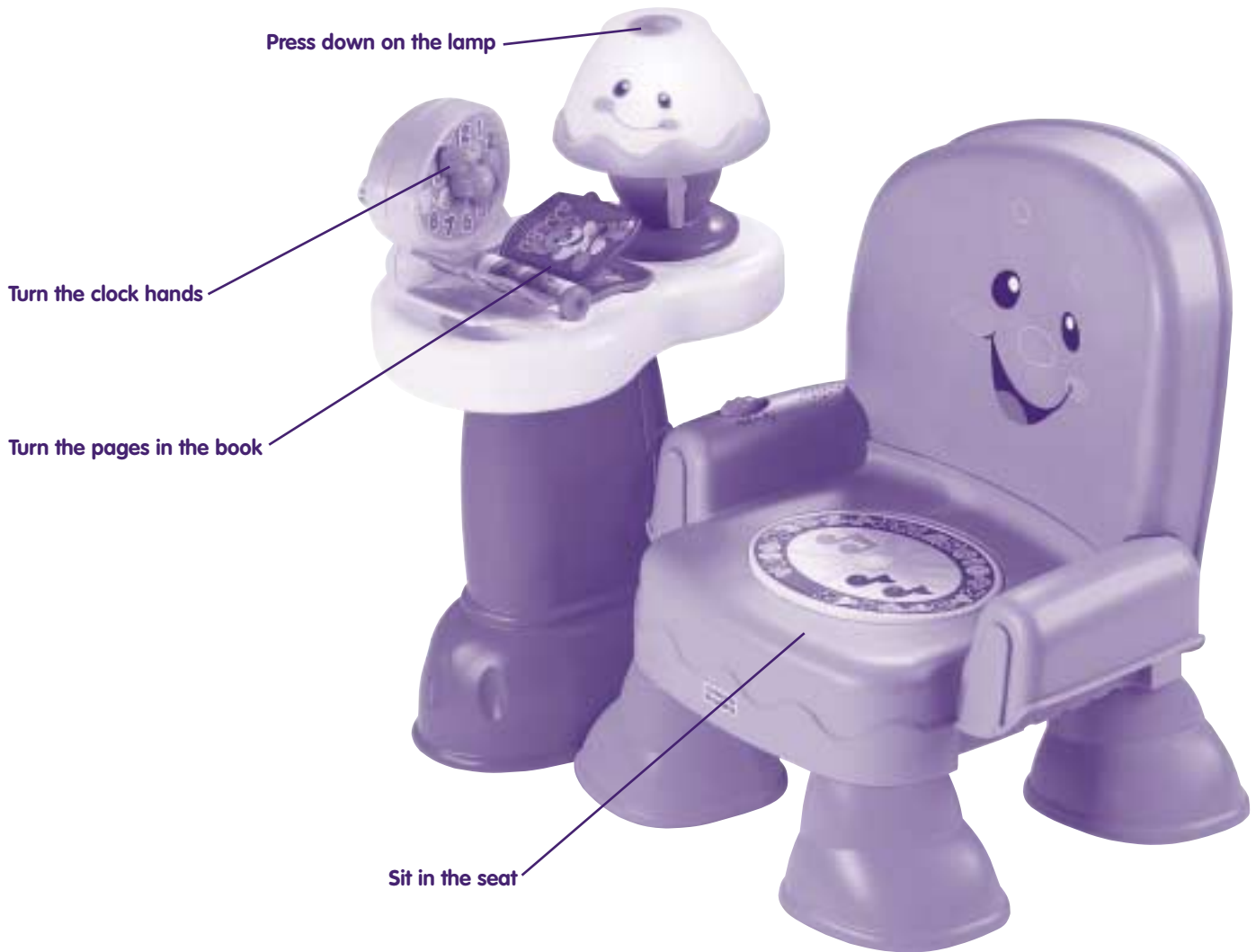
Note: This equipment has been tested and found to comply with the limits for a Class B digital device, pursuant to Part 15 of the FCC Rules. These limits are designed to provide reasonable protection against harmful interference in a residential installation. This equipment generates, uses and can radiate radio frequency energy and, if not installed and used in accordance with the instructions, may cause harmful interference to radio communications. However, there is no guarantee that interference will not occur in a particular installation. If this equipment does cause harmful interference to radio or television reception, which can be determined by turning the equipment off and on, the user is encouraged to try to correct the interference by one or more of the following measures:

- Reorient or relocate the receiving antenna.
 - Increase the separation between the equipment and receiver.
 - Consult the dealer or an experienced radio/TV technician for help.
- Note: Changes or modifications not expressly approved by the manufacturer responsible for compliance could void the user's authority to operate the equipment.

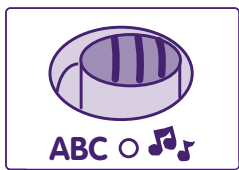
Care

- Wipe this toy with a clean cloth dampened with a mild soap and water solution. Do not immerse this toy.
- This toy has no consumer serviceable parts. Do not take this toy apart.

Two Interactive Play Modes!

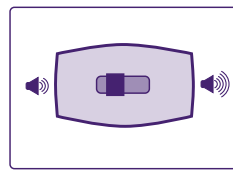


Mode Switch



- Locate the mode switch on the top of the toy.
- Slide the mode switch to either **ABC** learning mode or music mode 🎵 or off ○.
- When your child is finished playing with this toy, slide the mode switch to the off ○ position.

Volume Switch



- Locate the volume switch on the underside of the chair.
- Adjust the volume to high 🗣️ or low 🗣️, for your child's comfort.

ABC Learning Mode

- Sit on the "magic" seat to hear the A-B-C song.
- Turn the book pages to learn about each animal and hear the sound it makes.
- Turn the clock hands to hear a fun counting song.
- Press down on the lamp to light up colored lights and learn about on and off.

🎵 Music Mode

- Sit on the "magic" seat to hear a song. Stand up to stop the song. Sit down to resume.
- Turn the book pages to hear a song and sound effect for each animal.
- Turn the clock hands to hear Hickory Dickory Dock.
- Press down on the lamp to light up colored lights and hear a short ditty.

Consumer Information

Questions? We'd like to hear from you! Call Fisher-Price® Consumer Relations, toll-free at **1-800-432-5437**, 8 AM - 6 PM EST Monday through Friday. Hearing-impaired consumers using TTY/TDD equipment, please call 1-800-382-7470. Or, visit us on line at www.service.mattel.com. Write to us at: Fisher-Price® Consumer Relations, 636 Girard Avenue, East Aurora, New York 14052.

Learn every day - through fun, familiar play!

Make learning more fun with the whole collection of **Laugh & Learn™** toys. With rich music, lyrics and lots of activities, they combine early academics and everyday experiences, for the way kids really learn.

Each sold separately and subject to availability.



Learning Pots & Pans™
G6685



Learning Home™
C6327



Learning Phone™
C6324



Learning Toolbench™
G6167



Learning Puppy™
C6325



Learning Table™
C5522



Learning Keys
G9452



Learning Birdbath™
C6513



Stride-to-Ride Learning Walker™
H6372

For countries outside the United States:

CANADA: Questions? 1-800-432-5437. Mattel Canada Inc., 6155 Freemont Blvd., Mississauga, Ontario L5R 3W2; www.service.mattel.com.

GREAT BRITAIN: Mattel UK Ltd, Vanwall Business Park, Maidenhead SL6 4UB. Helpline: 01628 500302.

AUSTRALIA: Mattel Australia Pty. Ltd., 658 Church Street, Locked Bag #870, Richmond, Victoria 3121 Australia. Consumer Advisory Service 1300 135 312.

NEW ZEALAND: 16-18 William Pickering Drive, Albany 1331, Auckland.

ASIA: Mattel East Asia Ltd, Room 1106, South Tower, World Finance Centre, Harbour City, Tsimshatsui, HK, China.

Free Manuals Download Website

<http://myh66.com>

<http://usermanuals.us>

<http://www.somanuals.com>

<http://www.4manuals.cc>

<http://www.manual-lib.com>

<http://www.404manual.com>

<http://www.luxmanual.com>

<http://aubethermostatmanual.com>

Golf course search by state

<http://golfingnear.com>

Email search by domain

<http://emailbydomain.com>

Auto manuals search

<http://auto.somanuals.com>

TV manuals search

<http://tv.somanuals.com>