



L0542



IMPORTANT!
KEEP INSTRUCTIONS FOR
FUTURE REFERENCE.



WARNING

Prevent serious injury or death from falls or sliding out:

- The child should at all times wear a safety harness correctly fitted and adjusted. The tray is not designed to hold the child in the chair.
- It is recommended that only children capable of sitting upright unassisted use the high chair in the upright position.
- Always keep child in view while in the high chair.
- Never leave child unattended.
- Do not use the high chair unless all components are correctly fitted and adjusted.

Prevent injury from burns: Do not place this high chair near open fires or any hot surfaces.

IMPORTANT! Place the high chair on a level, stable surface away from electrical flexes. Be sure to keep electrical flexes out of child's reach.

- Please read these instructions before assembly and use of this product.
- Adult assembly is required.
- Tool needed for assembly: Phillips screwdriver (not included).
- Product features and decorations may vary from photographs.

Great Britain: Vanwall Business Park, Maidenhead SL6 4UB.
Helpline: 01628 500303. www.service.mattel.com/uk.

Australia: Mattel Australia Pty. Ltd., 658 Church Street,
Locked Bag #870, Richmond, Victoria 3121 Australia.
Consumer Advisory Service 1300 135 312.

New Zealand: 16-18 William Pickering Drive,
Albany 1331, Auckland.

Asia: Mattel East Asia Ltd, Room 1106, South Tower,
World Finance Centre, Harbour City, Tsimshatsui, HK, China.

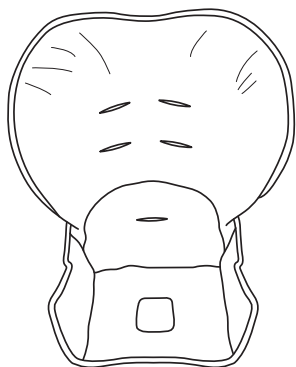
Malaysia: Diimport & Diedarkan Oleh: Mattel SEA Ptd Ltd.
(993532-P) Lot 13.5, 13th Floor, Menara Lien Hoe, Persiaran
Tropicana Golf Country Resort, 47410 PJ. Tel: +603-3341 9052.
Mattel Europa, B.V., Gondel 1, 1186 MJ Amstelveen, Nederland.



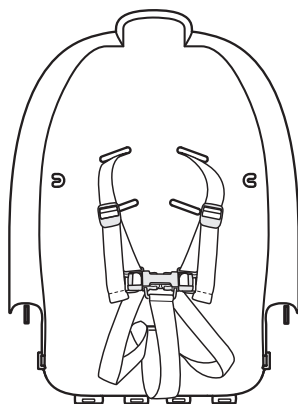
CAUTION

This package contains small parts
in its unassembled state.
Adult assembly is required.

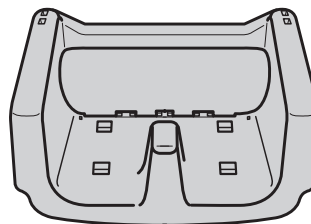
Assembled Parts



Pad



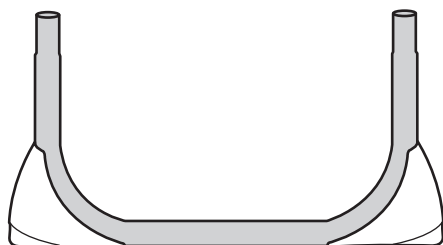
Seat Back



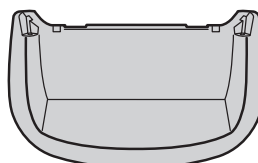
Seat Bottom



2 Frames



2 Bases



Footrest



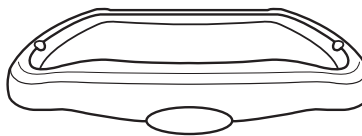
2 Seat Bottom Tubes



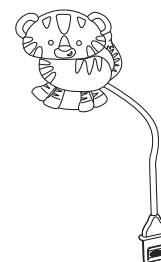
Hinge Rod



Food Tray



Base Tray



Teether Toy

Note: Tighten or loosen all screws with a Phillips screwdriver.

Do not over-tighten the screws.



#8 x 1,9 cm Screws – 8

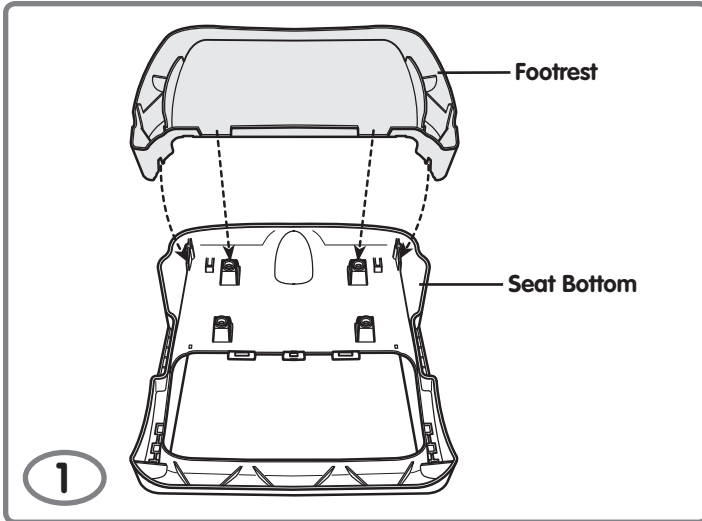


#10 x 2,2 cm Black Screw – 7

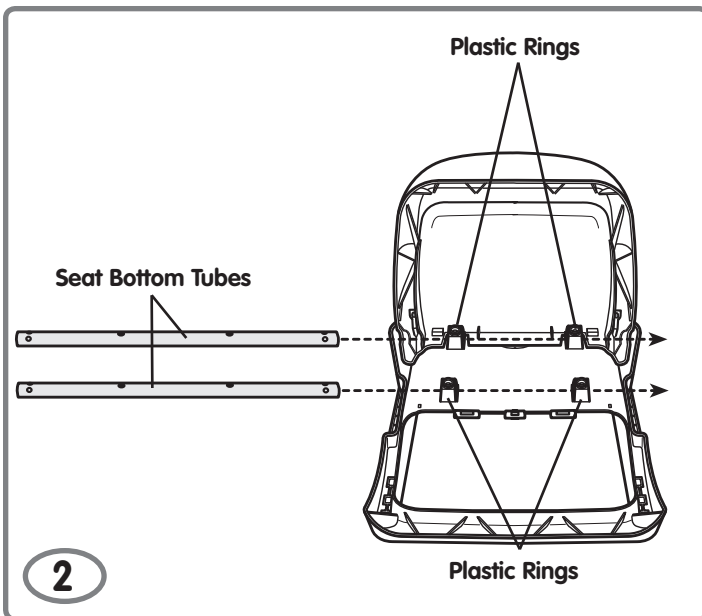
Shown Actual Size

Assembly

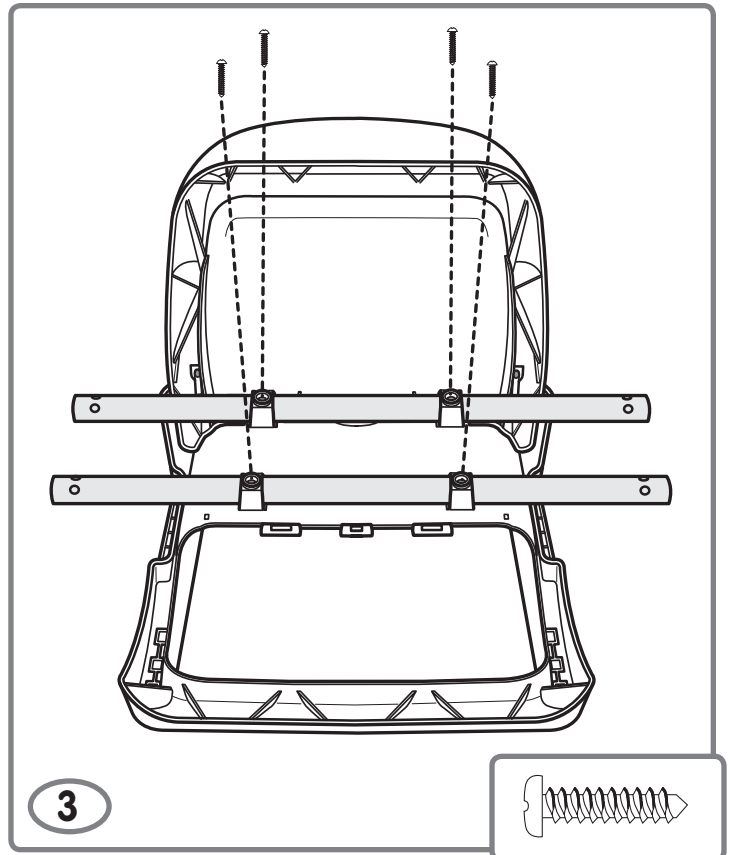
IMPORTANT! Before assembly and each use, inspect this product for damaged hardware, loose joints, missing parts or sharp edges. DO NOT use if any parts are missing or broken. Contact Mattel for replacement parts and instructions if needed. Never substitute parts.



- Place the seat bottom face down on a flat surface.
- At an angle, fit the footrest on the seat bottom, as shown.



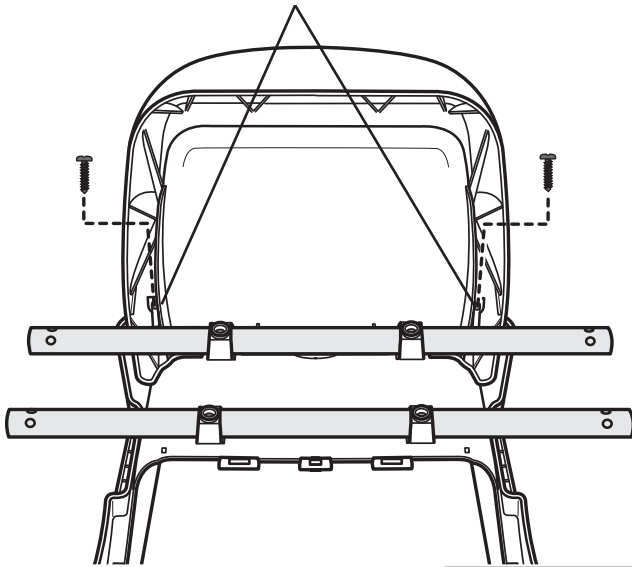
- Slide a seat bottom tube through each set of plastic rings on the seat bottom.



- Align the holes in the plastic rings and the seat bottom tubes.
- Insert a #8 x 1,9 cm screw through each plastic ring and into the seat bottom tubes, as shown. Tighten the screws. This may require extra force.
- Push the seat bottom tubes back and forth to be sure they are secured to the seat bottom. If the seat bottom tubes move, you have probably not fastened them properly. Remove the screws and check to be sure the screw holes in the seat bottom tubes and seat bottom plastic rings are aligned. Replace and tighten the screws.

Assembly

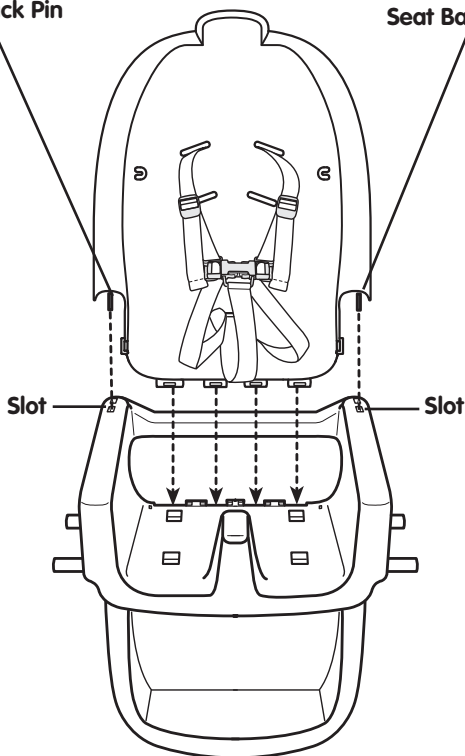
Insert Screws Here



4

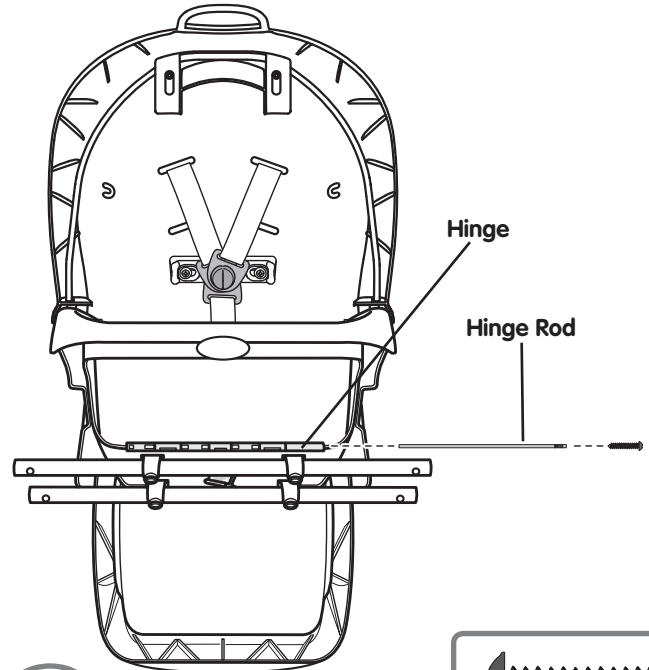
- Insert two #10 x 2,2 cm **black** screws through the footrest and into the seat bottom. Tighten the screws. This may require extra force.

Seat Back Pin Seat Back Pin



5

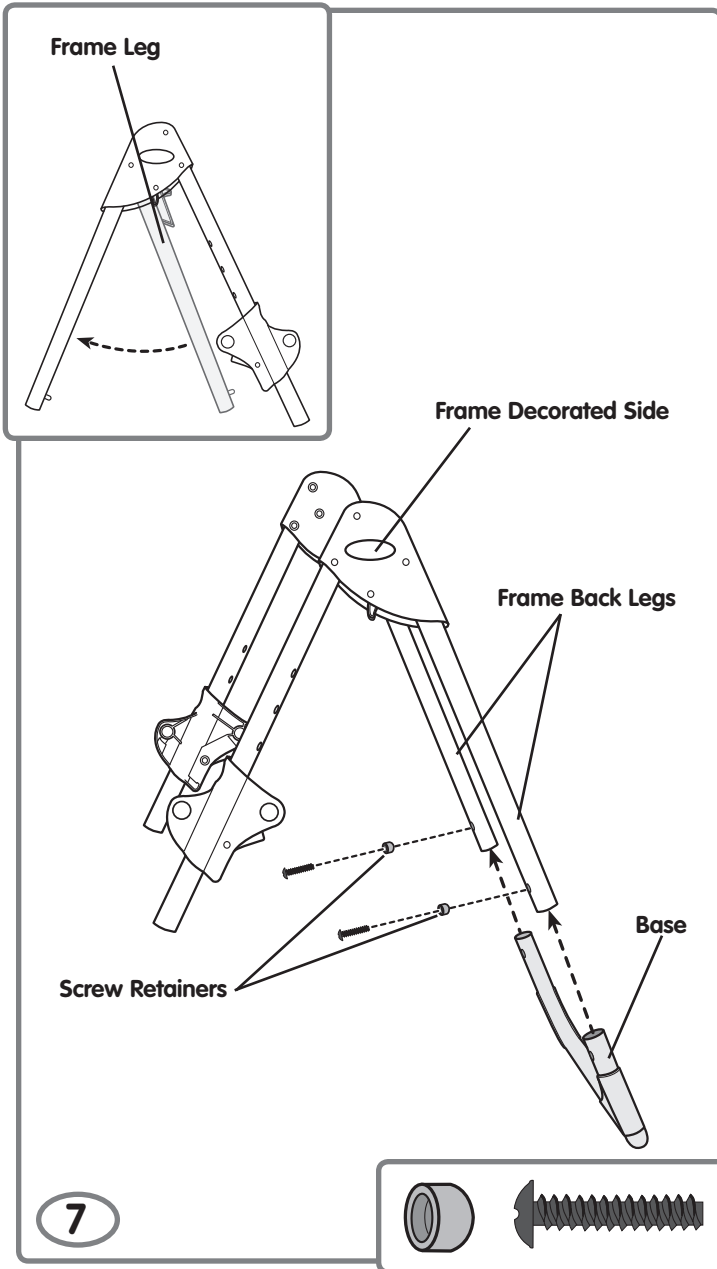
- Turn the seat bottom assembly upright.
- Fit the seat back pins into the slots in the top side of the seat bottom assembly.



6

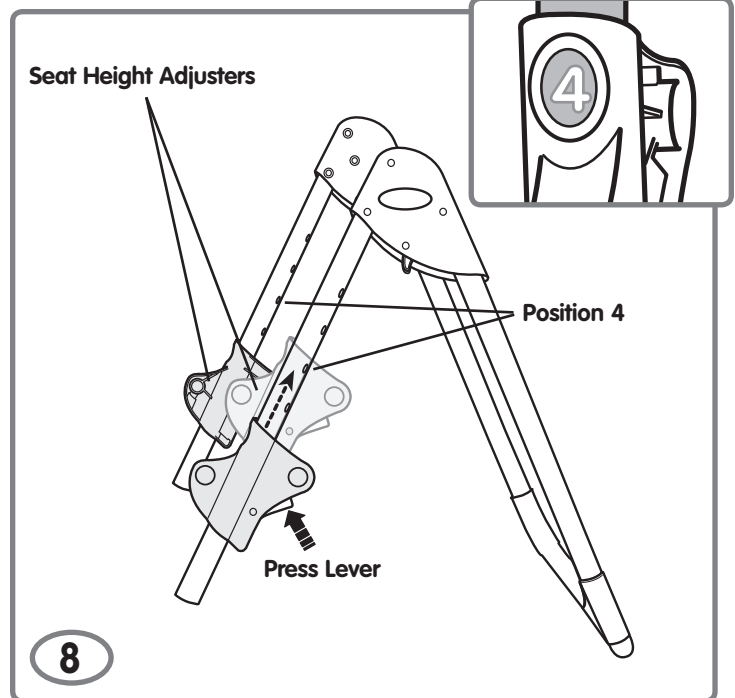
- Turn the seat assembly face down.
- Insert the hinge rod through the hinge on the seat back and seat bottom, as shown.
- Insert a #10 x 2,2 cm **black** screw into the hinge rod. Tighten the screw.
- Set the seat assembly aside for Assembly step 9.

Assembly

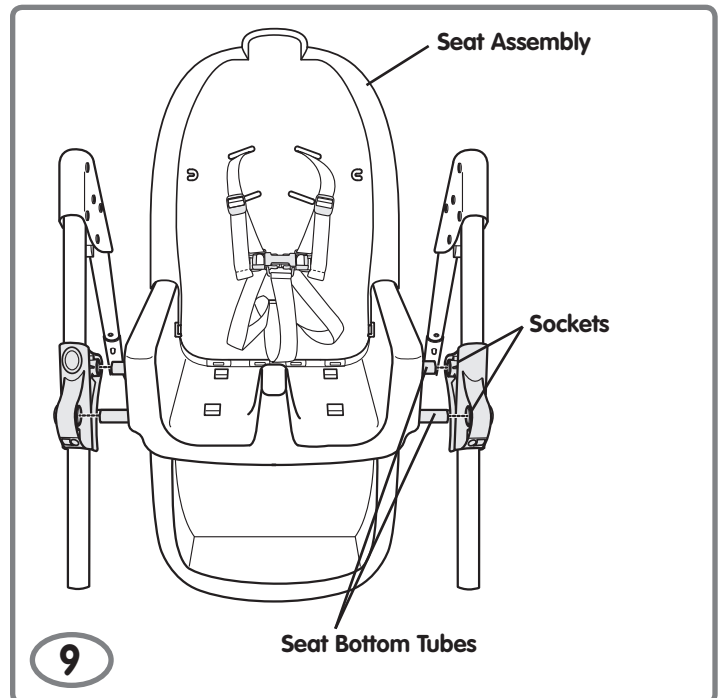


- Pull the frame leg out on each frame to open. Make sure it "clicks" into place.
- Position a frame so that the decorated side is outward.
- Fit the end of a base into the back leg of a frame.
- Fit a screw retainer over the hole in the back leg, as shown.
- Insert a #10 x 2,2 cm **black** screw through the screw retainer and back leg. Tighten the screw.
- Repeat this procedure to fasten the other frame back leg to the other side of the base.

Hint: The #10 x 2,2 cm black screws may have been assembled to the screw retainers.



- While pressing the levers on the seat height adjusters, lift them to position 4 on the frame front legs, as shown.

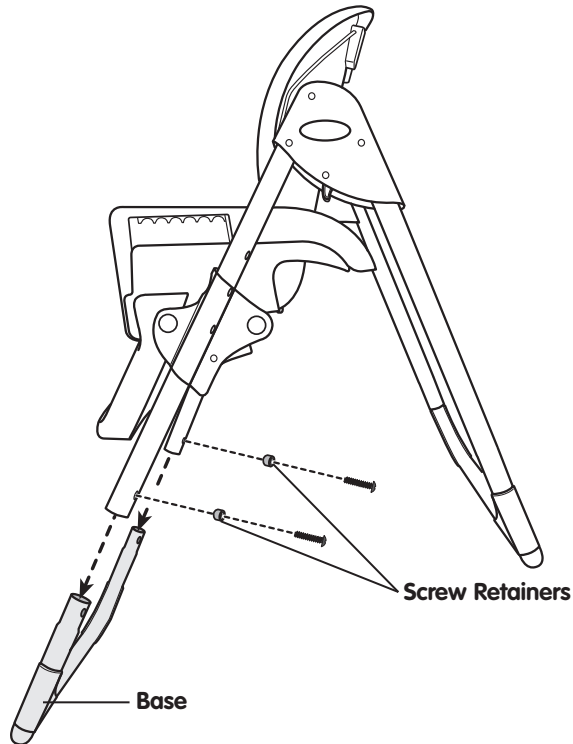


- Fit the seat assembly between the frames.
- Insert the seat bottom tubes into the sockets in each seat height adjuster.

Hints:

- Be sure the seat height adjusters are in the same position (position 4).
- You may need to push the frames apart slightly to fit the seat bottom tubes into the seat height adjuster sockets.

Assembly

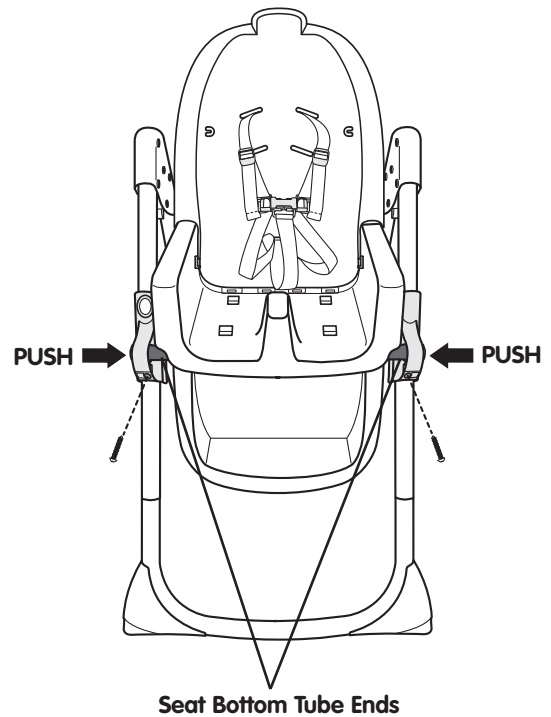


10



- Insert the frame front legs onto the remaining base.
- Fit a screw retainer over a hole in the front leg.
- Insert a #10 x 2,2 cm **black** screw through the screw retainer and front leg. Tighten the screw.
- Repeat this procedure to secure the other end of the base with the remaining screw retainer and #10 x 2,2 cm **black** screw.

Hint: The #10 x 2,2 cm black screws may have been assembled to the screw retainers.



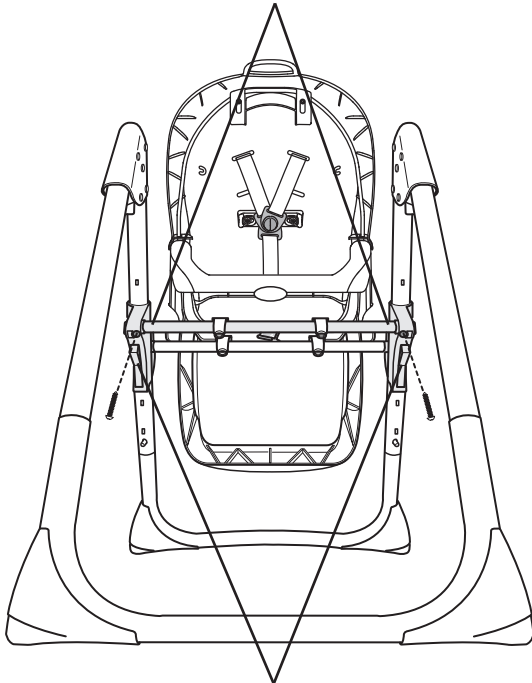
11



- Push each seat height adjuster to be sure they are completely on the seat bottom tubes.
- Insert a #8 x 1,9 cm screw through each seat height adjuster and the ends of the seat bottom tube. Tighten the screws. This may require extra force.

Assembly

Seat Bottom Tube Ends



Seat Height Adjusters

12



- Push each seat height adjuster to be sure they are completely on the seat bottom tubes.
- Insert a #8 x 1,9 cm screw through each seat height adjuster and the ends of the seat bottom tube. Tighten the screws. This may require extra force.

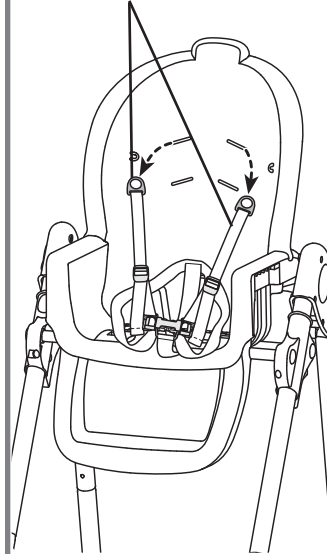
PRESS

PRESS

13

- Squeeze the restraint release tabs together.
- Remove the ends of the restraint system from the peg.

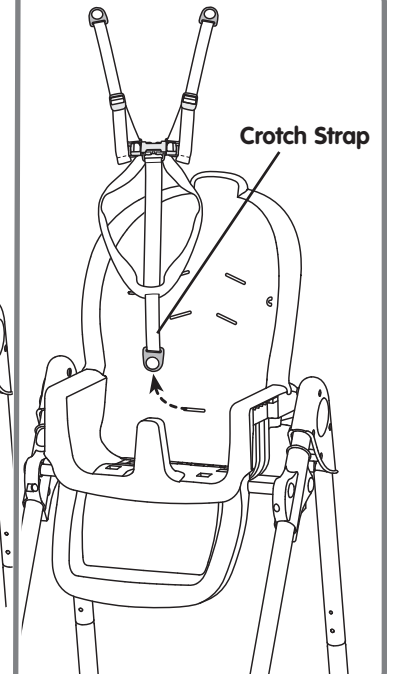
Shoulder Straps



14

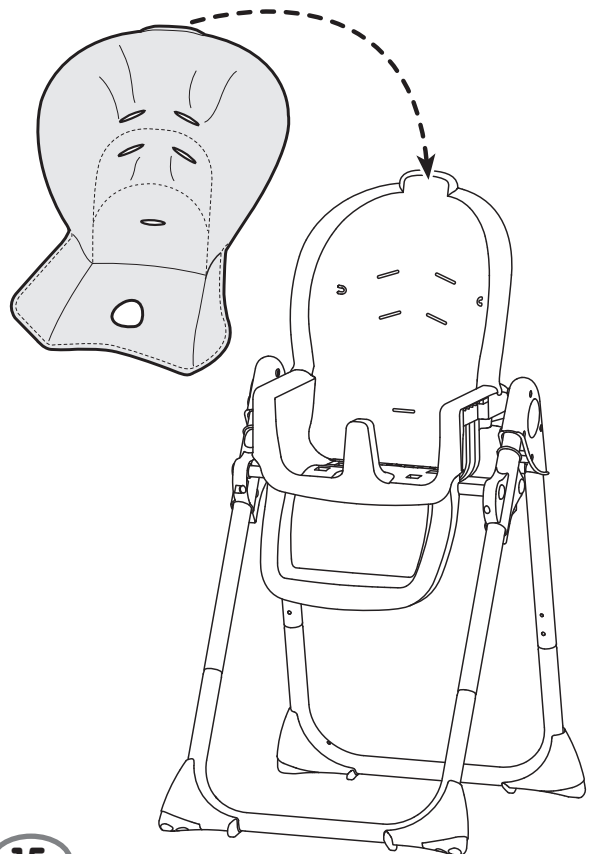
- Remove both shoulder straps from the seat back.
- Remove the crotch strap from the seat back.

Crotch Strap

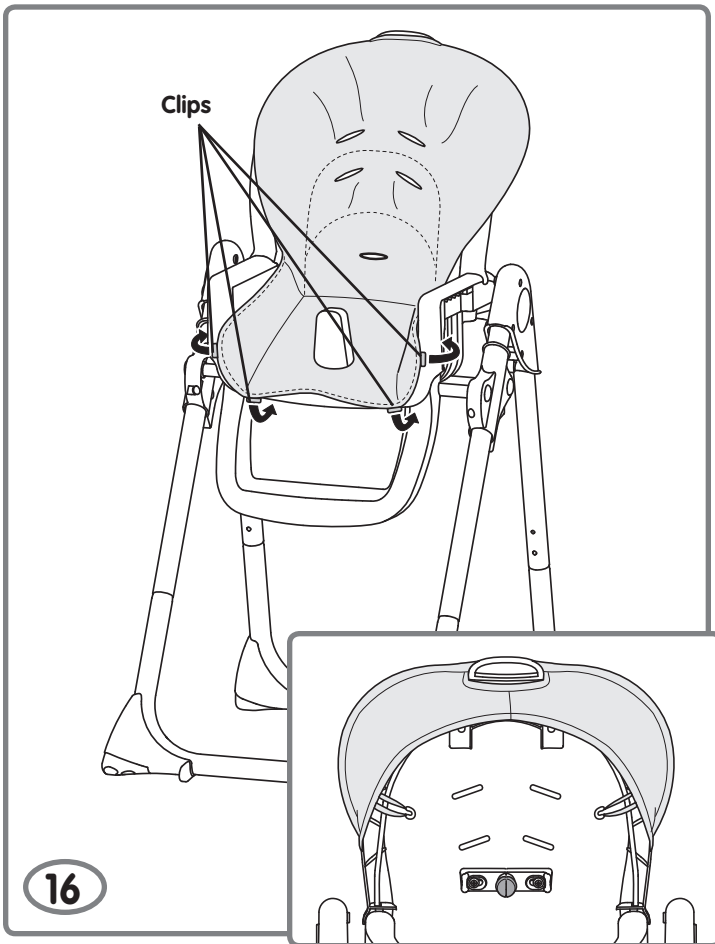


15

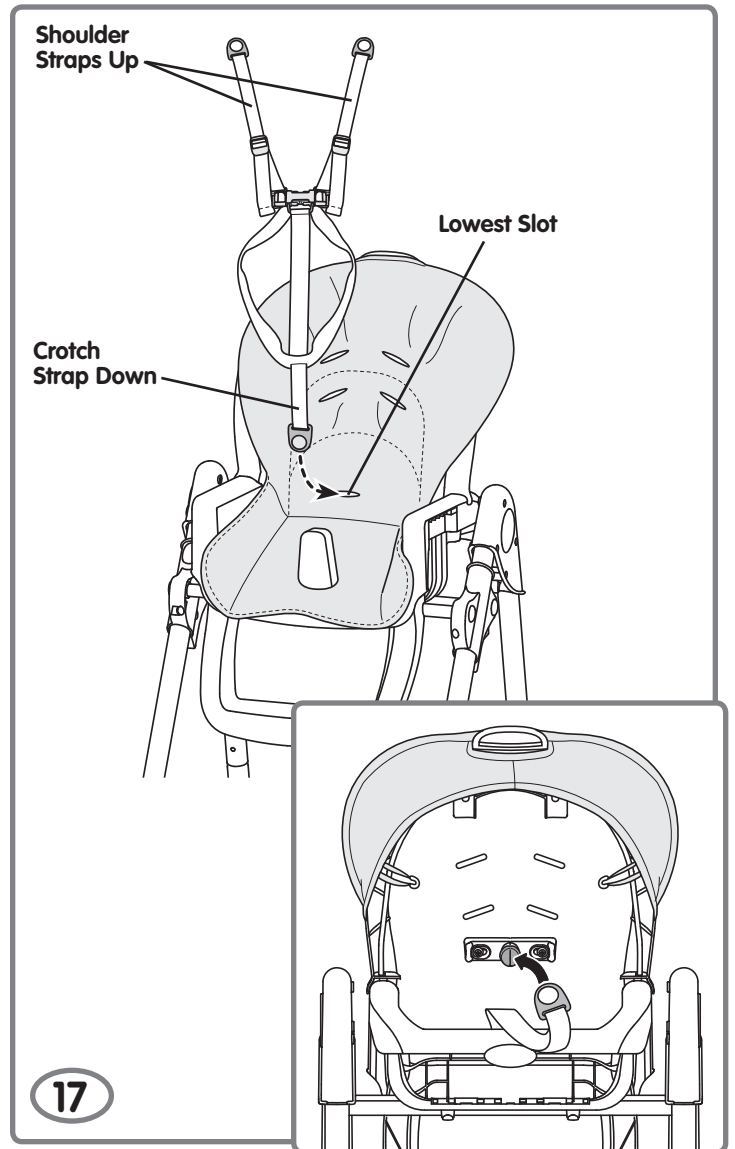
- Fit the pocket on the top of the pad onto the seat back.



Assembly



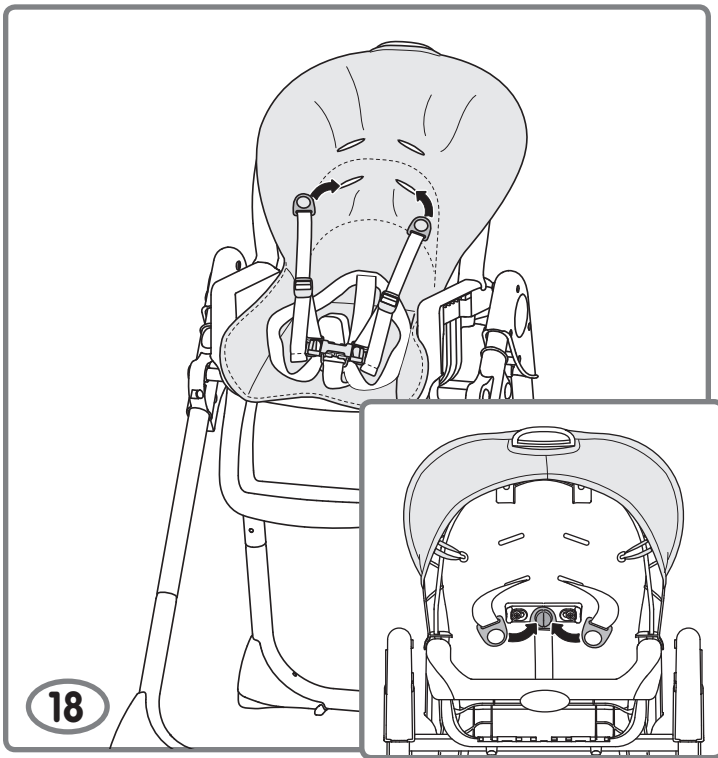
- Fit the clips on the front edge of the pad onto the seat bottom.
- Hook the elastic loops on each side of the pad onto the tabs in the seat back.



Hint: Do not unbuckle the restraint system. It is easier to attach or re-attach it to the product if it is buckled.

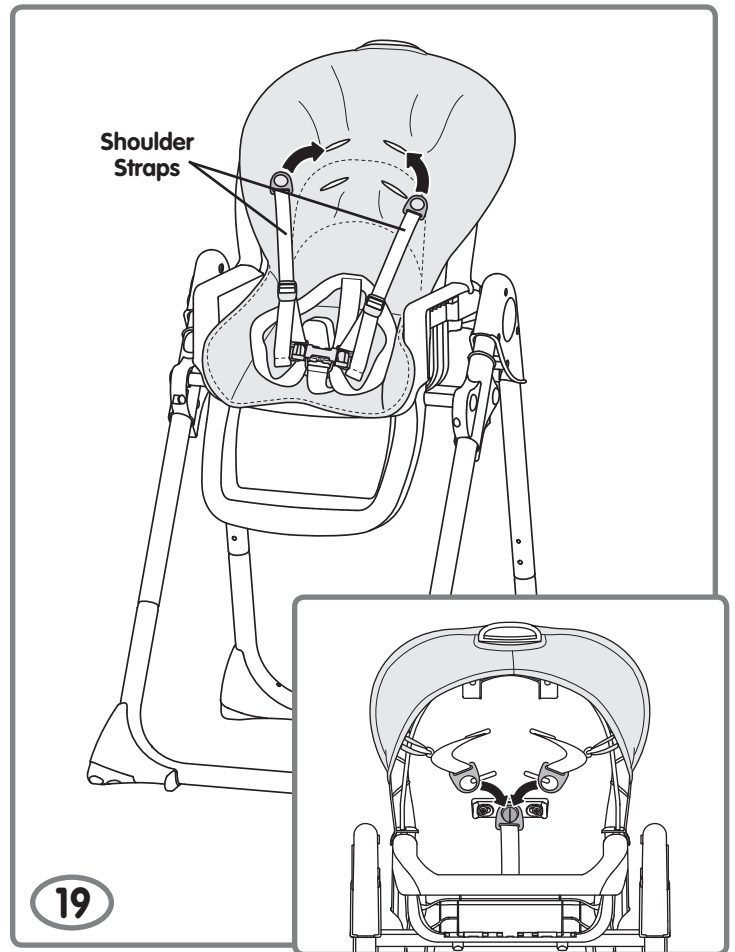
- Grasp the restraint system so that the shoulder straps are up and the crotch strap is down.
- Insert the end of the **crotch strap** through the **lowest slot** in the pad and the seat back.
- From behind the product, attach the end of the crotch strap to the peg.

Assembly



Smaller Baby

- Insert the ends of the shoulder straps through the **lower** slots in the pad.
- From behind the product, attach the ends of the shoulder straps to the peg.



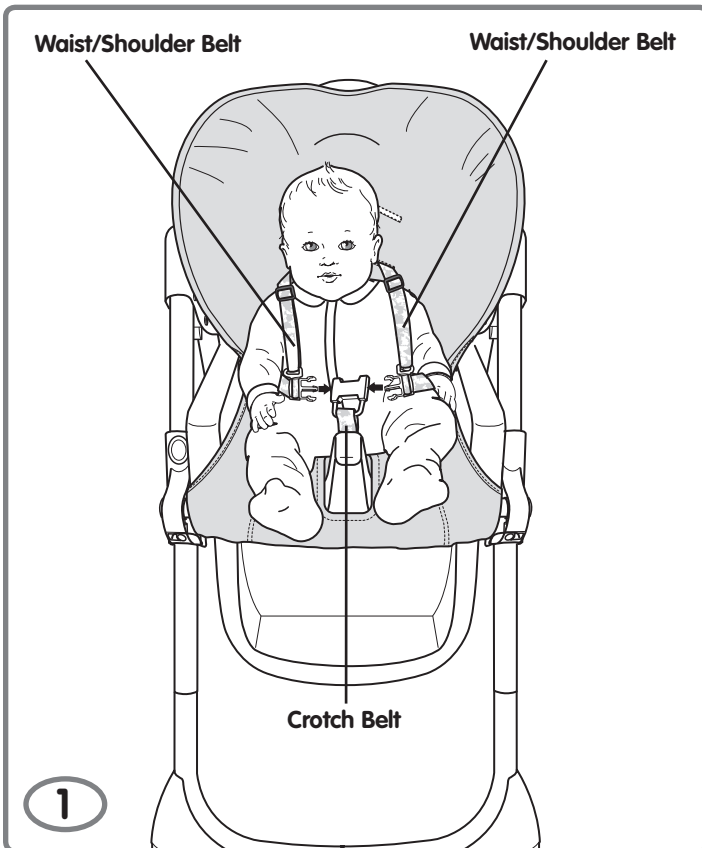
Larger Baby

- From the front of the product, insert the ends of the shoulder straps through the **upper** slots in the pad and seat back.
- From behind the product, attach the ends of the shoulder straps to the peg.

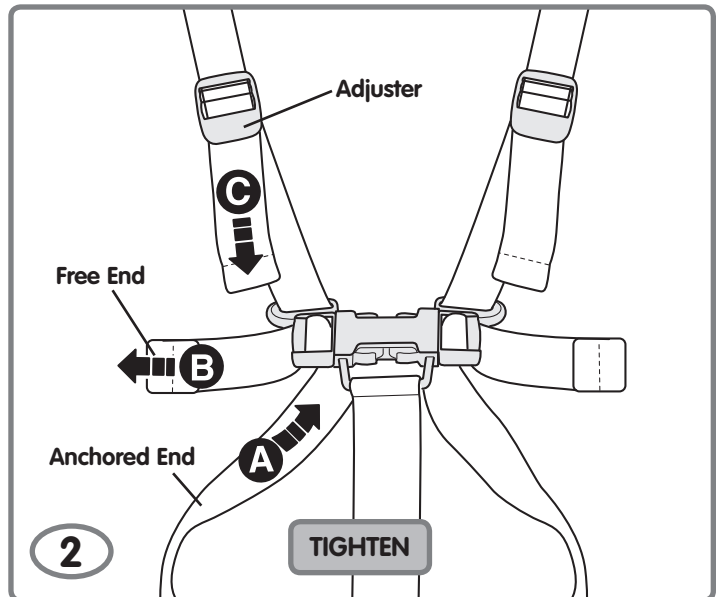
Secure Child

WARNING

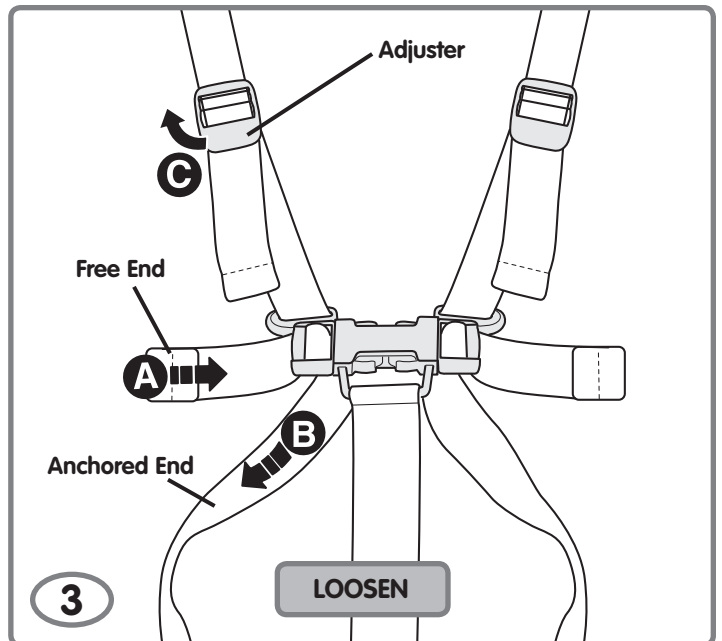
Prevent serious injury or death from falls or sliding out: The child should at all times wear a safety harness correctly fitted and adjusted. The tray is not designed to hold the child in the chair.



- Place your child in the seat. Position the crotch belt between your child's legs.
- Fasten both waist/shoulder belts to each side of the crotch belt. Make sure you hear a "click" on both sides.
- Check to be sure the restraint system is securely attached by pulling it away from your child. The restraint system should remain attached.

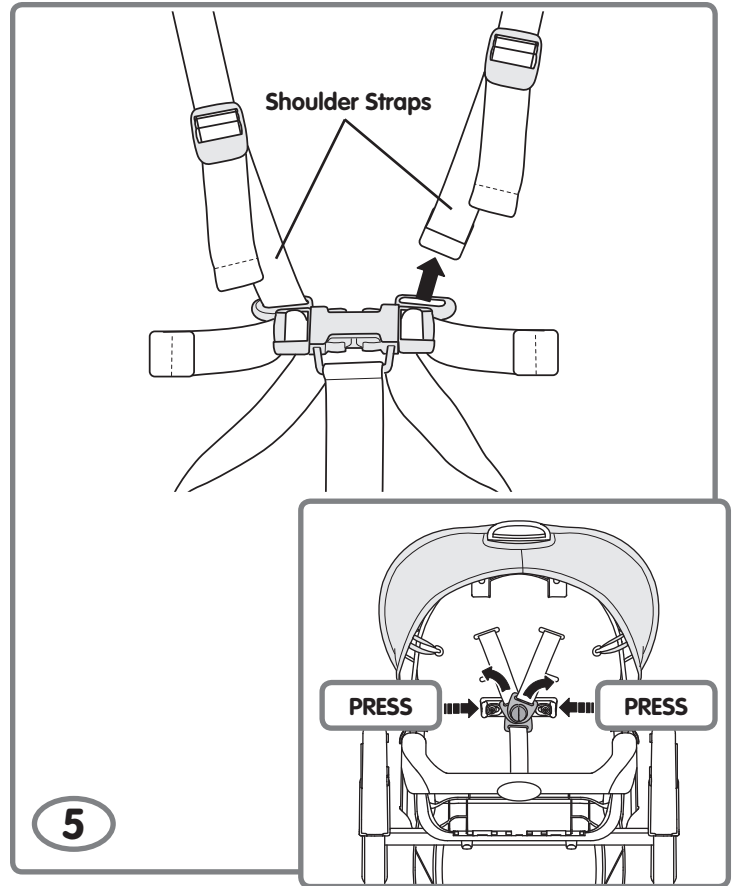
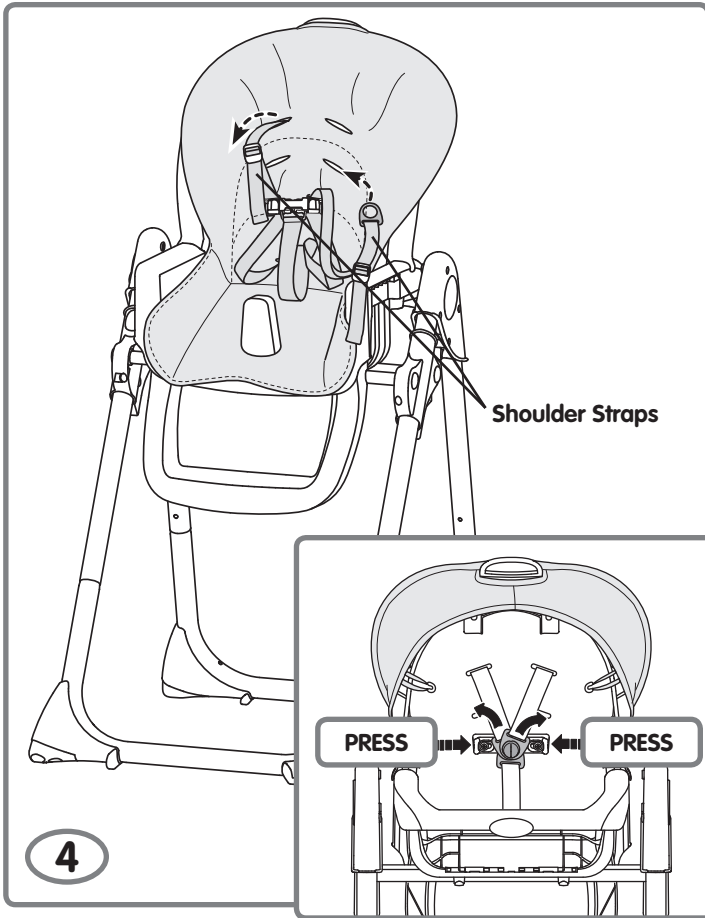


- **To tighten the waist straps:** Feed the anchored end of the waist strap up through the buckle to form a loop **A**. Pull the free end of the waist strap **B**.
- **To tighten the shoulder straps:** Hold the adjuster and pull the shoulder strap down **C**.



To loosen the waist straps: **A B C** Note:

Secure Child



To change strap slots:

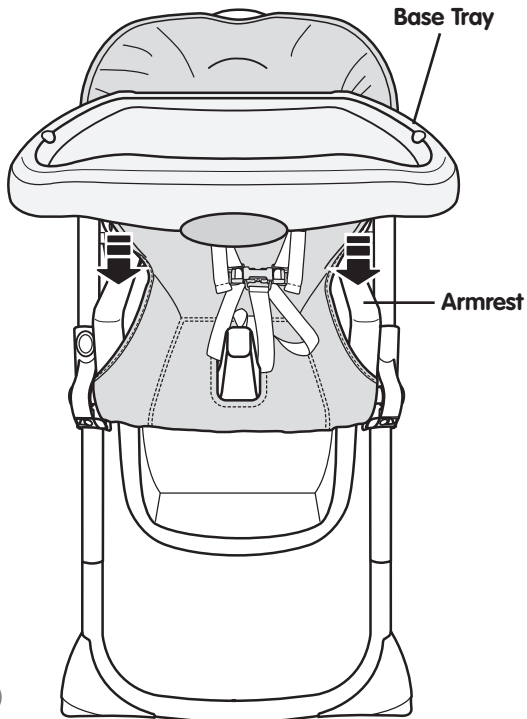
- From behind the product, squeeze the restraint release tabs and remove the shoulder straps.
- From the front of the high chair, pull the shoulder portions of the restraint system out and then fit them back through the desired shoulder strap slots in the seat pad and in the seat back.
- From behind the product, attach the ends of the shoulder straps to the peg.

- You can remove the shoulder straps and use only the waist restraint.
- From behind the product, squeeze the restraint release tabs and remove the shoulder straps.
- From the front of the product, pull to remove the shoulder straps from the seat back/pad.
- Push to remove the shoulder straps from the waist restraint buckle slots.
- Store the shoulder straps in a safe in a safe place for future use.

Using the Trays

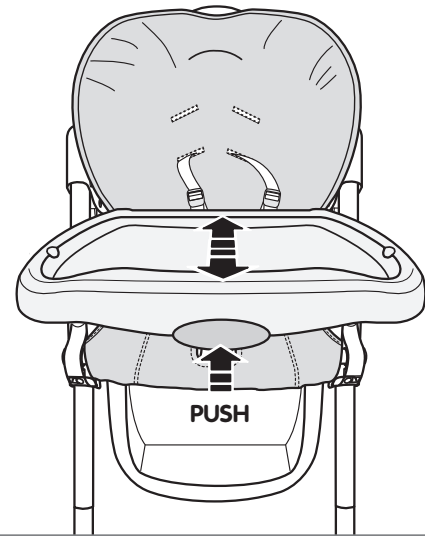
WARNING

Prevent serious injury or death from falls or sliding out: The child should at all times wear a safety harness correctly fitted and adjusted. The tray is not designed to hold the child in the chair.

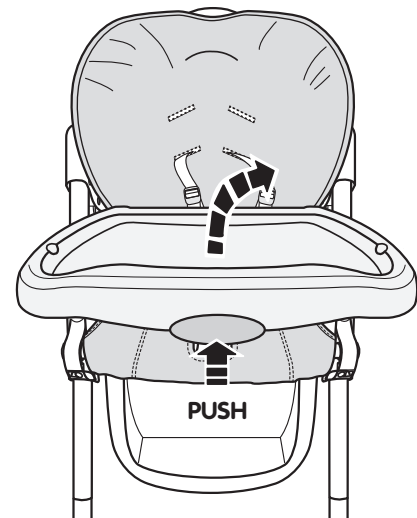


- Fit the base tray onto the seat armrests. Push down until the base tray "snaps" into place.

Hint: Before use, thoroughly wash all parts (the trays) that may contact food. The base tray is not dishwasher safe.

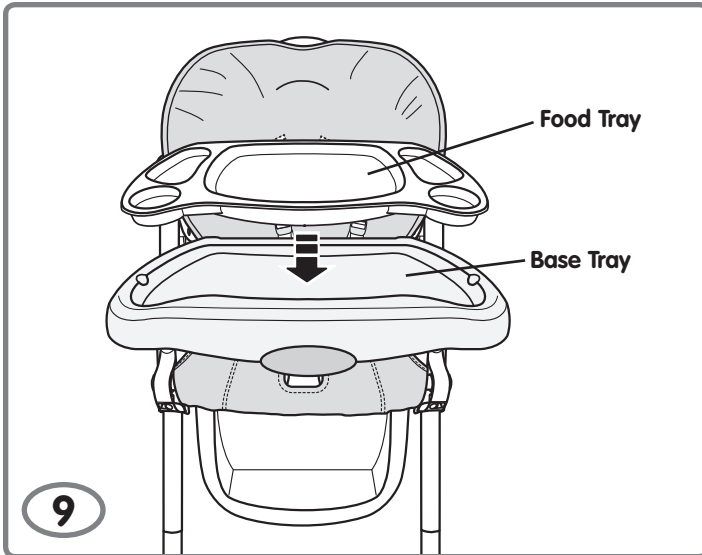


- While pushing the release bar on the front of the base tray, adjust the base tray forward or backward.



- While pushing the release bar on the front of the base tray, pull the tray base towards you and remove.

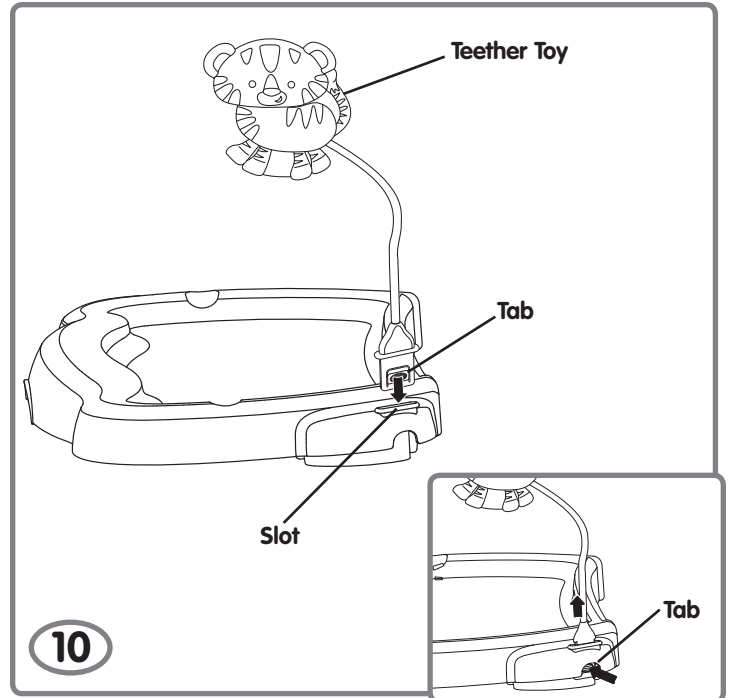
Using the Trays



• Fit the food tray into the base tray, as shown.

Hint: Before use, thoroughly wash all parts (the trays) that may contact food. The food tray is not microwave safe.

Using the Teether Toy



• Insert and “snap” the teether toy tab into either slot in the tray.

Hint: To remove the teether toy, press the tab and lift the toy.

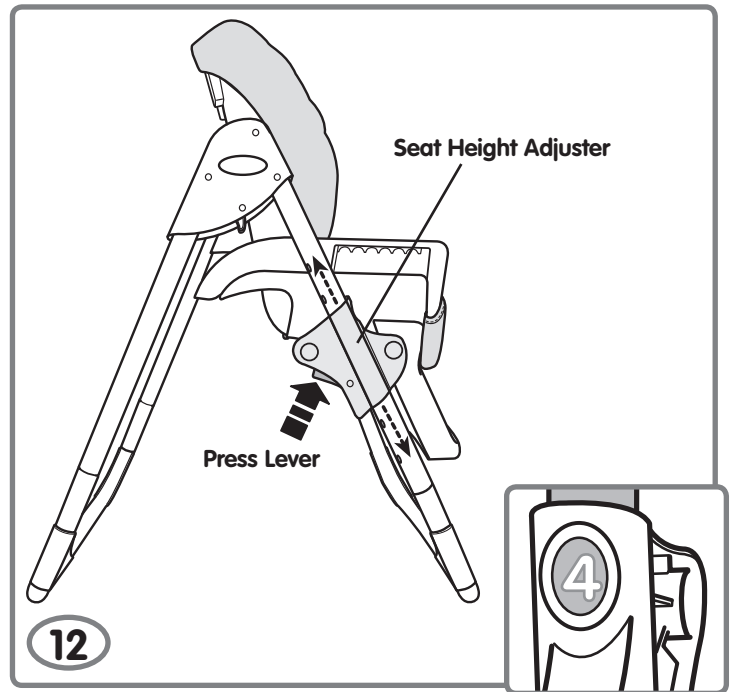
Adjusting the Seat

WARNING

Prevent serious injury or death from falls or sliding out. It is recommended that only children capable of sitting upright unassisted use the high chair in the upright position.

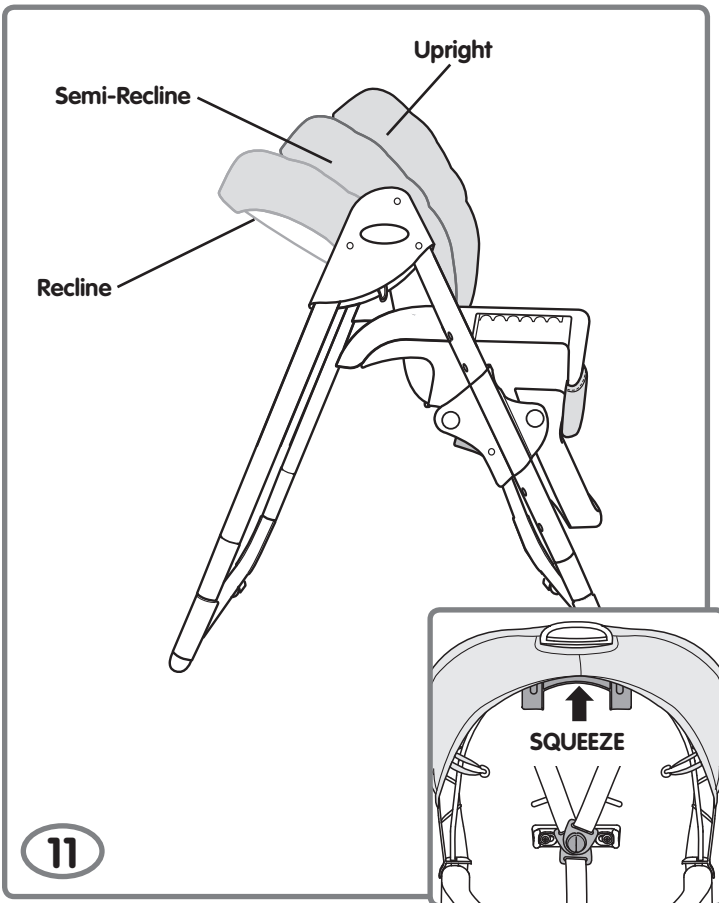
Hint: Adjust the seat angle to any of three positions: Upright, Semi-Recline or Recline.

Hint: Adjust the seat height to any of seven positions!



To adjust the seat height:

- Press the levers on both seat height adjusters and lift or lower the seat to the desired height.
- Make sure both sides of the seat are adjusted to the same height. Push the seat bottom to be sure the seat is locked in place.

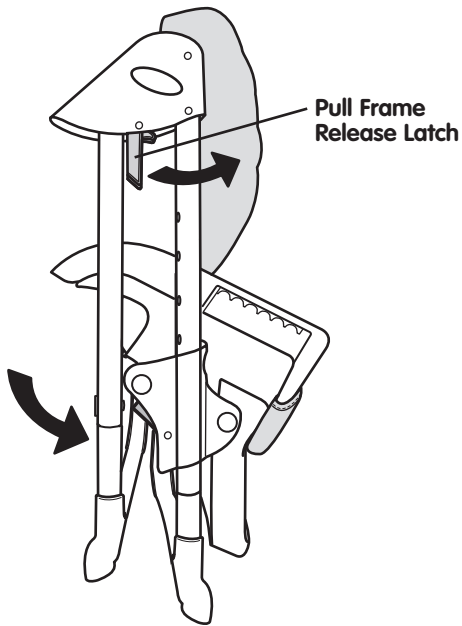


To adjust the seat angle:

- Squeeze the seat back handle and push the seat back forward or, pull it backwards to the desired position.
- Push the seat back to be sure it is latched in position.

Storage

Care



- The pad, frame and base tray may be wiped clean using a mild cleaning solution and a damp cloth.
- The restraint system may be wiped clean or is machine washable. Machine wash in cold water on the gentle cycle. Do not use bleach. Line dry.
- The food tray, teether toy and restraint system are also top rack dishwasher safe (or use bottom rack - without using the drying cycle).

To remove the pad:

- Remove the elastic loops from the pegs on the back of the seat.
- From behind the product, squeeze the restraint release tabs and remove the restraint system from the peg.
- From the front of the product, pull to remove the restraint system.
- Unfasten the pad hooks from the front edge of the seat. Lift the top of the pad off of the seat back.
- To replace the pad: refer to Assembly steps 13-19.

IMPORTANT! Never use this product without the restraint system. Replace the waist/shoulder belts and crotch belt.

- With the legs all the way open, lower the seat to position 7 (the lowest position).
- Pull the frame release latches forward and push the rear legs toward the front legs.

Free Manuals Download Website

<http://myh66.com>

<http://usermanuals.us>

<http://www.somanuals.com>

<http://www.4manuals.cc>

<http://www.manual-lib.com>

<http://www.404manual.com>

<http://www.luxmanual.com>

<http://aubethermostatmanual.com>

Golf course search by state

<http://golfingnear.com>

Email search by domain

<http://emailbydomain.com>

Auto manuals search

<http://auto.somanuals.com>

TV manuals search

<http://tv.somanuals.com>