

Fisher-Price®

Instructions

Jeep® Push'n Scoot™

Model Number: 72607



If you experience a problem with this product, or are missing a part, please call us at 1-800-432-KIDS, rather than return this product to the store.

Please save these instructions for future reference.

Adult assembly is required.

Tools required for assembly: Hammer and Scrap Block of Wood.

Weight Limit: 55 lbs.

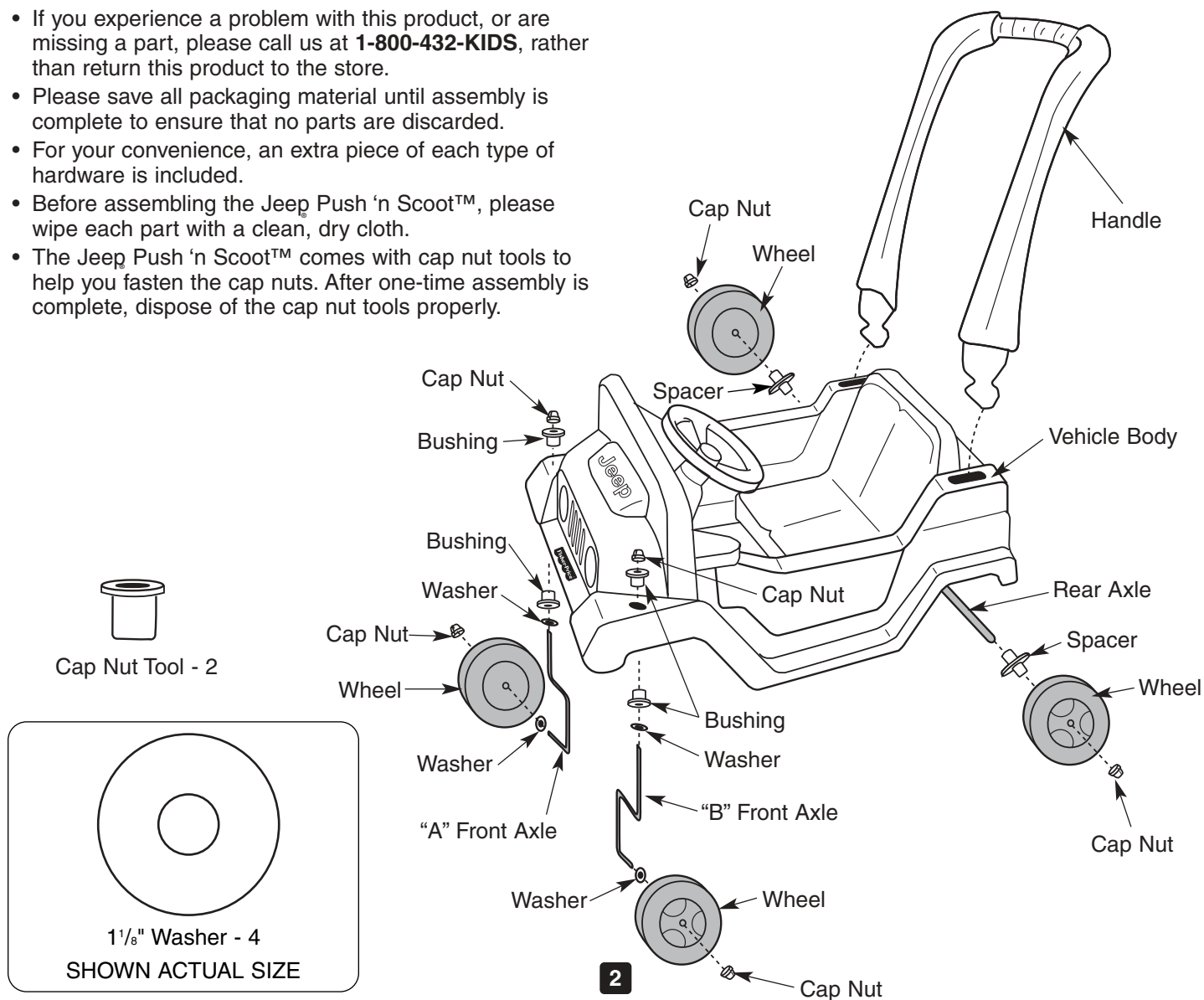
Ages: 1½ years - 5 years.

⚠ WARNING

- Adult supervision is required.
- Never use near steps, sloped driveways, hills, roadways, alleys, swimming pool areas or other bodies of water.
- Always wear shoes or sneakers.
- Never allow more than one rider.

Parts

- If you experience a problem with this product, or are missing a part, please call us at **1-800-432-KIDS**, rather than return this product to the store.
- Please save all packaging material until assembly is complete to ensure that no parts are discarded.
- For your convenience, an extra piece of each type of hardware is included.
- Before assembling the Jeep Push 'n Scoot™, please wipe each part with a clean, dry cloth.
- The Jeep Push 'n Scoot™ comes with cap nut tools to help you fasten the cap nuts. After one-time assembly is complete, dispose of the cap nut tools properly.



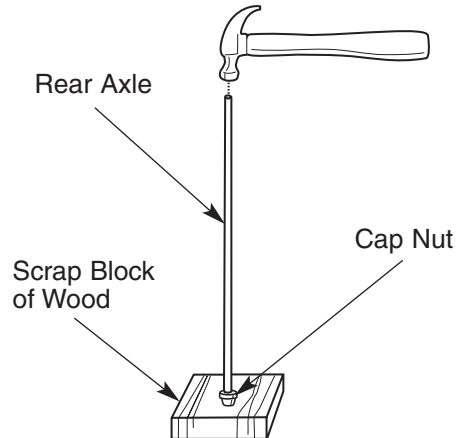
Assembly



CAUTION

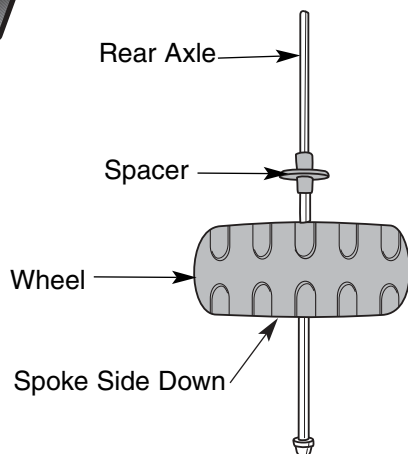
Please keep small parts and plastic bags out of children's reach. Dispose of plastic bags properly.

1



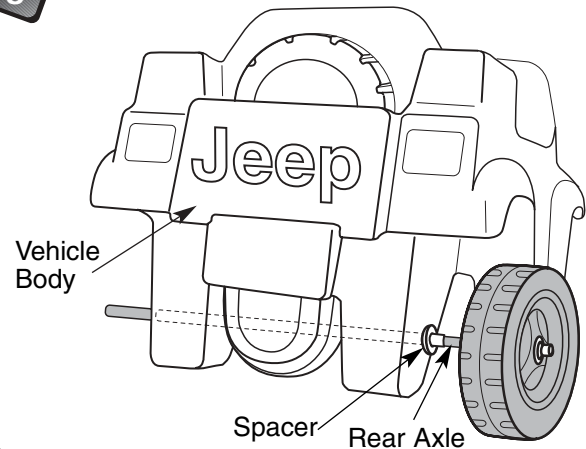
- Place a cap nut on a scrap block of wood.
- Fit the rear axle into the cap nut and tap with a hammer until secure.

2



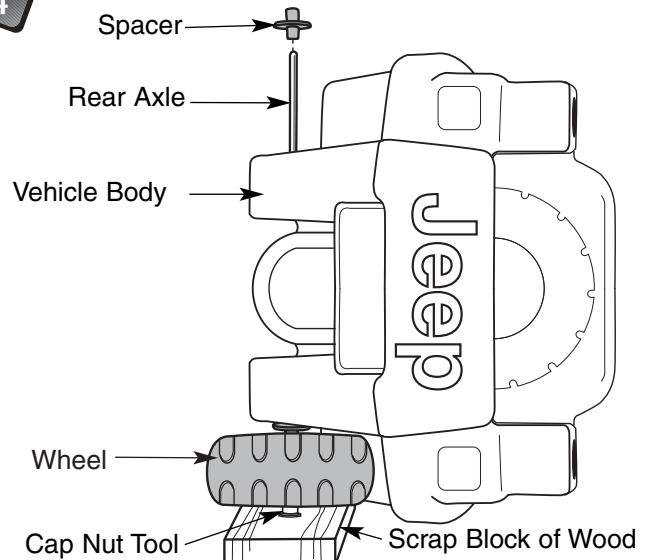
- Slide a wheel, spoke side down, onto the rear axle.
- Slide a spacer onto the rear axle.

3



- Insert the rear axle through the holes in the rear of the vehicle body. Make sure the spacer fits into the hole in the vehicle body.

4

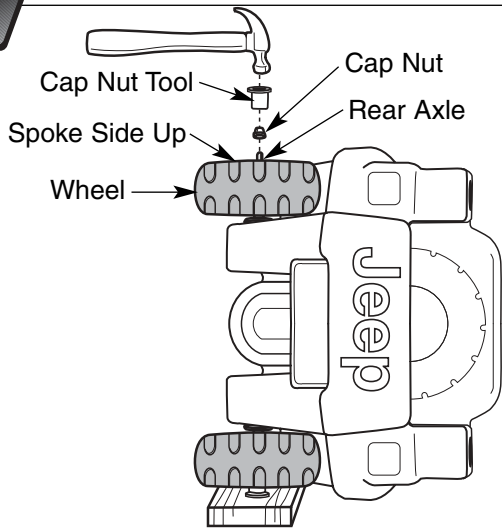


- Turn the vehicle body on its side with the end of the rear axle facing up.
- Lift the vehicle body up slightly and fit a cap nut tool on the cap nut.
- Slide a block of wood under the cap nut tool to support the rear axle.
- Fit the other spacer onto the rear axle and into the hole in the vehicle body.

3

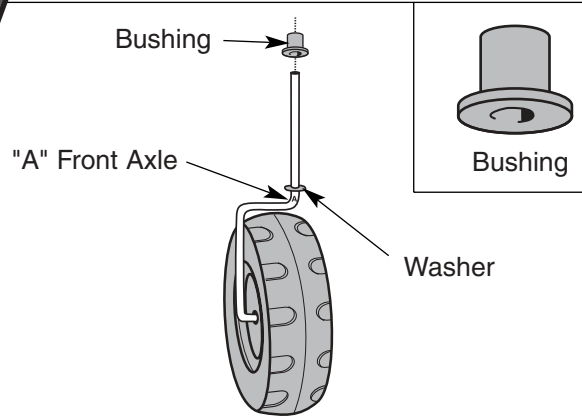
Assembly

5



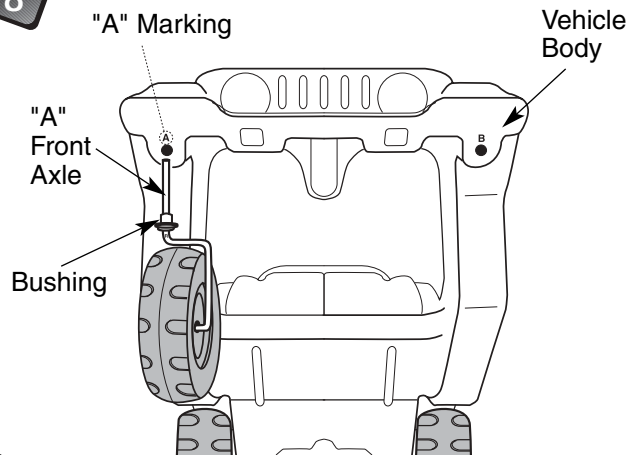
- Slide a wheel, spoke side up, onto the end of the rear axle.
- Fit a cap nut onto the end of the rear axle.
- Fit a cap nut tool over the cap nut and tap the center with a hammer until the cap nut is secure.

7



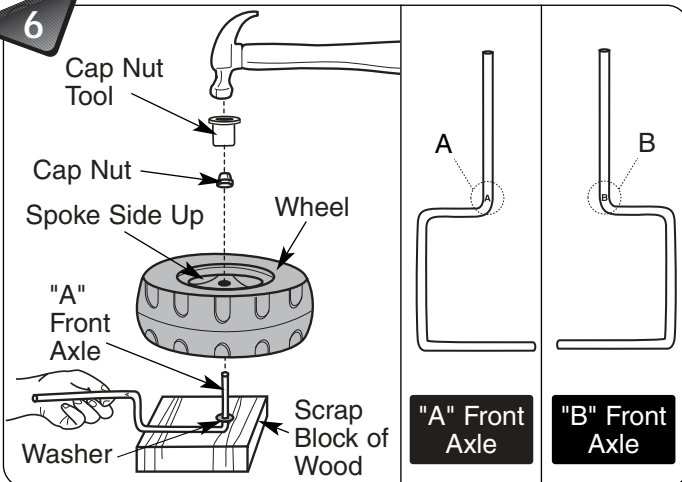
- Slide a washer onto the "A" front axle.
- Slide a bushing, narrow side up, onto the "A" front axle.
- Repeat steps 6 and 7 to assemble the "B" front axle, washer, wheel, bushing and cap nut.

8



- Turn the vehicle body upright.
- Lift the front end of the vehicle body and locate the side of the vehicle body marked "A".
- **IMPORTANT!** For proper wheel position, the "A" front axle assembly must be inserted into the hole in the vehicle body marked "A".
- Insert the "A" front axle up into the hole underneath the vehicle body marked "A".
- Make sure the bushing fits into the hole in the vehicle body.

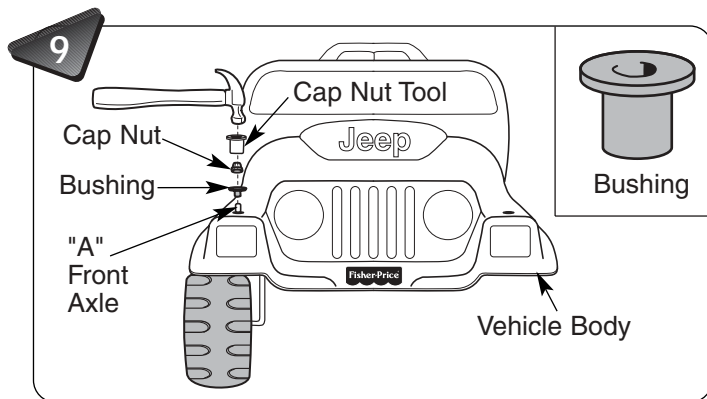
6



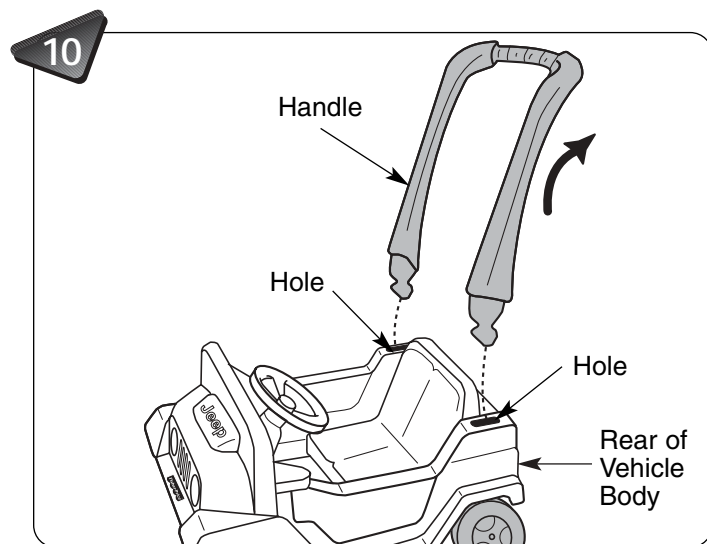
- Identify and separate the "A" and "B" front axles.
- Place the "A" front axle onto a scrap block of wood.
- Slide a washer onto the "A" front axle.
- Slide one of the wheels, spoke side up, onto the "A" front axle.
- Fit a cap nut onto the end of the "A" front axle.
- Fit a cap nut tool over the cap nut and tap the center with a hammer until the cap nut is secure.

4

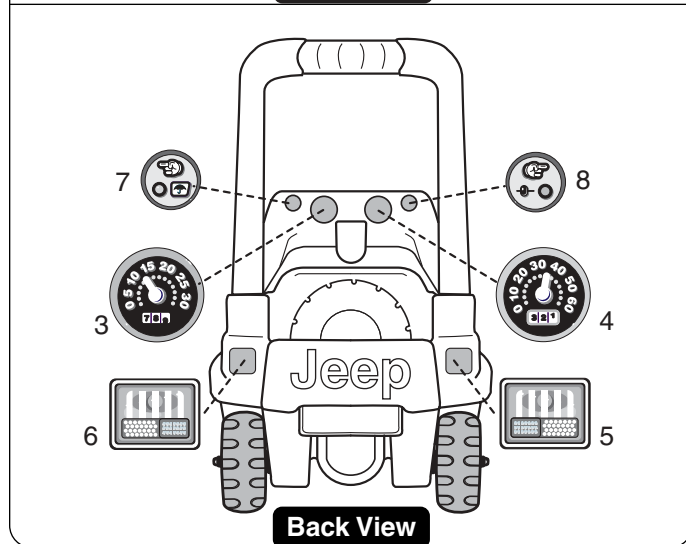
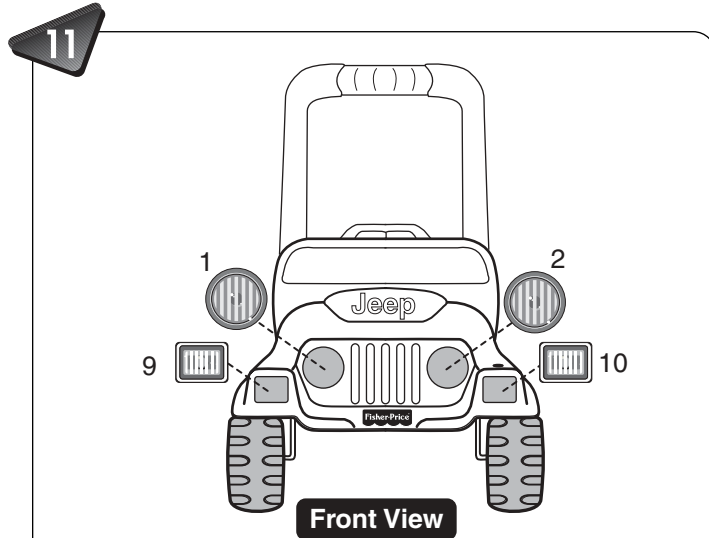
Assembly



- Lower the vehicle body.
- Fit a bushing, narrow side down, onto the exposed end of the "A" front axle and into the hole in the vehicle body.
- Fit a cap nut onto the end of the "A" front axle.
- Fit a cap nut tool over the cap nut and tap the center with a hammer until the cap nut is secure.
- Repeat assembly steps 8 and 9 to assemble the "B" front axle to the side of the vehicle body marked "B".
- Dispose of the cap nut tools properly.



- Position the handle over the rear of the vehicle body so that it leans away from the vehicle body.
- While keeping the vehicle body stationary, insert and snap the handle into the two holes in the rear of the vehicle body.

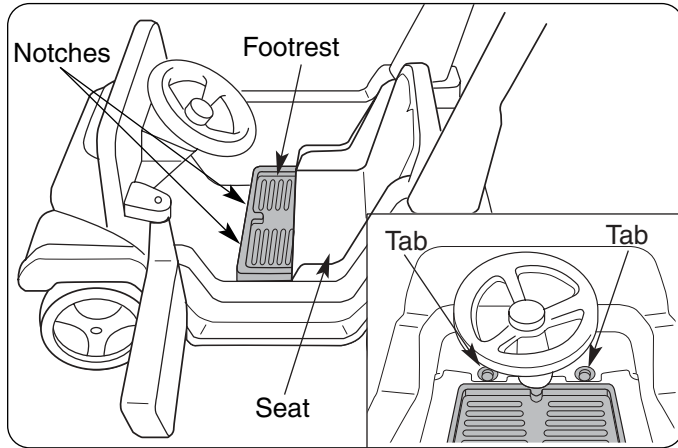


- Make sure the areas where the labels will be applied are clean and dry.
- Apply the labels as shown in the illustrations.
- For best adhesion, try to avoid applying a label more than once.

One-time assembly is now complete.

Use

When pushing your child in the Jeep Push 'n Scoot™, use the pull-out footrest.



- Pull the footrest out from under the seat.
- Hook the notches in the front of the footrest onto the tabs on the inside front of the Jeep Push 'n Scoot™.

Maintenance

- Periodically check the Jeep Push 'n Scoot™ to be sure all fasteners are secure and re-fasten as needed.
- To clean or remove static electricity, use a mild soap and water solution and a clean cloth. Rinse clean with water to remove soap residue.

Three (3) Year Limited Warranty

Fisher-Price, Inc., 636 Girard Avenue, East Aurora, New York 14052, warrants to the original owner that the Jeep Push 'n Scoot™ is free from all defects in material and workmanship when used under normal conditions for a period of three (3) years from the date of purchase. This warranty does not cover color fading of the product or product parts, or damage from excessive abuse or Acts of God.

Should the product fail to perform properly, we will repair or replace it, free of charge. Purchaser is responsible for shipping the product to the address indicated above and for all associated freight and/or insurance cost. Fisher-Price, Inc. will bear the cost of shipping the repaired or replaced item to you. This warranty is void if the owner repairs or modifies the product. This warranty excludes any liability other than the above mentioned, including but not limited to any incidental or consequential damages.

SOME STATES DO NOT ALLOW THE EXCLUSION OR LIMITATIONS OF INCIDENTAL OR CONSEQUENTIAL DAMAGES, SO THE ABOVE LIMITATION OR EXCLUSION MAY NOT APPLY TO YOU.

THIS WARRANTY GIVES YOU SPECIFIC LEGAL RIGHTS, AND YOU MAY ALSO HAVE OTHER RIGHTS WHICH MAY VARY FROM STATE TO STATE.

Questions?



We'd like to hear from you!

Call Fisher-Price® Consumer Affairs, toll-free at **1-800-432-KIDS**, 8 AM - 6 PM EST Monday through Friday. Hearing-impaired consumers using TTY/TDD equipment, please call 1-800-382-7470. Or, write to: Fisher-Price® Consumer Affairs, 636 Girard Avenue, East Aurora, New York 14052.

JEEP and Jeep grille design are registered trademarks of Chrysler Corporation U.S.A. Used under license.
© CHRYSLER CORPORATION 1997.

If you have any questions about this product:

In Canada, call **1-800-567-7724**, or write to: Mattel/Fisher-Price, 6155 Freemont Blvd., Mississauga, Ontario L5R 3W2.

In Great Britain, telephone 01734 770488.

In Australia, call the Fisher-Price Australian Consumer Advisory Service toll-free at 1-800-800-812, or write to: Fisher-Price, Mattel Pty. Limited, 461 Plummer Street, Port Melbourne, Victoria 3207.

Free Manuals Download Website

<http://myh66.com>

<http://usermanuals.us>

<http://www.somanuals.com>

<http://www.4manuals.cc>

<http://www.manual-lib.com>

<http://www.404manual.com>

<http://www.luxmanual.com>

<http://aubethermostatmanual.com>

Golf course search by state

<http://golfingnear.com>

Email search by domain

<http://emailbydomain.com>

Auto manuals search

<http://auto.somanuals.com>

TV manuals search

<http://tv.somanuals.com>