



Product features and decoration may vary from the picture above.

# Jeep<sup>®</sup> AFTERSHOCK<sup>™</sup>

## Owner's Manual with Assembly Instructions

Please read this manual and save it with your original sales receipt.

For Model 74270

Tools needed for assembly: Phillips Screwdriver, Hammer, and Safety Scissors.

Use only with Power Wheels<sup>®</sup> 6 Volt Batteries,

Power Wheels<sup>®</sup> Thermal Fuses and Power Wheels<sup>®</sup> 12 Volt Charger (all included).

Requires four size "C" (LR14) alkaline batteries (not included) in pretend engine for revved up action.

# Table of Contents

A	Important Information	.2
B	Warnings	.3
C	Parts	.4
D	Parts Diagram	.7
E	Battery Charging	.9
F	Assembly	.11
G	Label Decoration	.23
H	Battery Installation	.24
I	Battery Care and Disposal	.25
J	Rules for Safe Driving	.26
K	How to Operate Your Vehicle	.27
L	Caring for Your Vehicle	.28
M	Problems and Solutions Guide	.29
N	Limited Warranty	.33
O	Authorized Service Centers	.33

## A

## Important Information

- Your new vehicle requires adult assembly. Please set aside at least 60 minutes for assembly.
- You must charge your batteries for 18 - 30 hours **before you use your vehicle for the first time.** We recommend that you start charging your batteries before beginning assembly. Please see Battery Charging beginning on page 9 for detailed instructions.
- Read this manual carefully for important safety information and operating instructions before using your vehicle.
- This vehicle is designed for use on grass, asphalt or other hard surfaces, on hills or flat terrain, by children 3 years of age and older.
- This vehicle has adjustable play seat belts. Please note that the adjustable seat belts are designed to be a play feature only and do not function as protective safety restraints.
- To prevent damaging the motors and gears, do not tow anything behind the vehicle or overload it. Do not exceed the maximum weight capacity of 130 lbs.
- For safety reasons, your vehicle has been pre-set so that it will only operate at low speed. **You must disconnect the high speed lock-out to allow operation of the vehicle at high speed.** Please see page 28 for detailed instructions.
- If you have any questions about your Power Wheels® vehicle, please call our toll-free service lines at **1-800-348-0751** from 8 AM to 6 PM (EST) Monday through Friday. Trained customer service representatives are available to take your call in English or French. Habla Español? Si usted tiene alguna pregunta ó necesita asistencia llame gratis **1-800-348-0755** para los Estados Unidos. Tenemos representantes que hablan español para atender su llamada.
- For your convenience, Power Wheels® maintains an Authorized Service Center Network with more than 400 authorized service centers nationwide. Our authorized service centers will repair or replace parts under warranty at no extra charge, and can perform non-warranty repairs for a minimal charge. Please see the Authorized Service Center list beginning on page 33 to find the authorized service center nearest you, or call **1-800-348-0751**.
- Please complete and return the enclosed Registration Card today, or call **1-800-348-0751** to register your vehicle by phone.



### CAUTION

Use the charger in dry locations only.

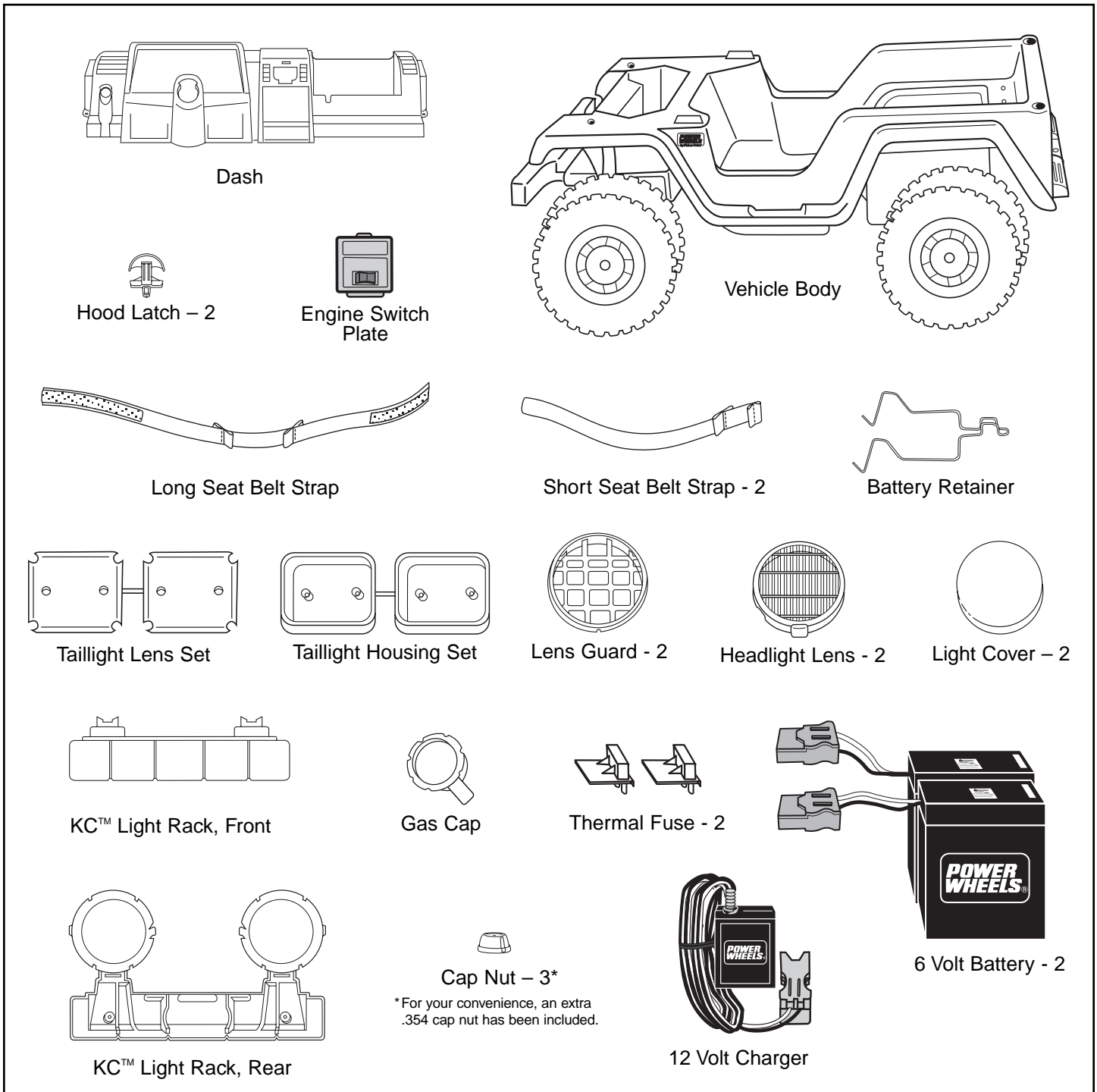
**WARNING**

- Children can be harmed by small parts, sharp edges and sharp points in the vehicle's unassembled state, or by electrical items. Care should be taken in unpacking and assembly of the vehicle. Children should not handle parts, including the batteries, or help in assembly of the vehicle.
- Keep small parts and plastic bags out of children's reach. Dispose of plastic bags properly.
- Adult supervision is required. Children do not have the judgement necessary to avoid many accidents. Be sure that children operating this vehicle can do so safely and that they are supervised at all times.
- Never use near steps, driveways, steep inclines, roadways, alleys, swimming pool areas or other bodies of water.
- Always wear shoes or sneakers when operating this vehicle.
- Never allow more than two riders; one driver and one passenger.
- The riders should sit on the seat when the vehicle is in operation.
- **Hot** motors. Handle carefully.
- Never alter this vehicle or its electrical system in any way. Alterations could cause a fire resulting in injury and could also ruin the electrical system.
- Do not bypass a Power Wheels® fuse. It is a safety device.
- Use of the wrong type batteries, fuses or charger could cause a fire or explosion, resulting in serious injury.
- Use of Power Wheels® components in products other than Power Wheels® vehicles could cause overheating, fire or explosion.
- The batteries must be handled by adults only. The batteries are heavy and contain sulfuric acid (electrolyte). Dropping the batteries could result in serious injury.
- Never lift or carry the batteries by the wires or connectors. This can damage the batteries and possibly cause a fire resulting in injury. Lift and carry the batteries by the cases only.
- Read the cautions on the back panels of the batteries.
- Never allow children to charge the batteries. Battery charging must be done by adults only. A child could be injured by the electricity involved in charging the batteries.
- Examine the batteries, charger and their connectors for excessive wear or damage each time you charge the batteries. If damage or excessive wear is detected, do not use the vehicle until you have replaced the worn or damaged part as it could possibly cause a fire resulting in injury.

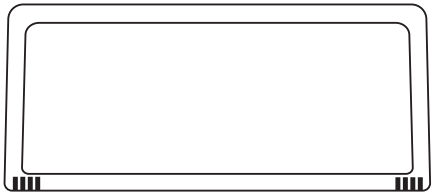
# C

## Parts

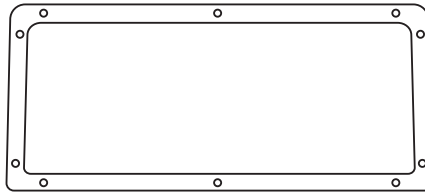
- If you experience a problem with this product, or are missing a part, please call us at **1-800-348-0751**, rather than return this product to the store.
- Please identify all parts before assembly and save all packaging material until assembly is complete to ensure that no parts are discarded.
- Metal parts have been coated with a lubricant to protect them during shipment. Wipe all metal parts with a paper towel to remove any excess lubricant.



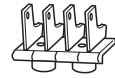
# Parts



Windshield Frame - Front



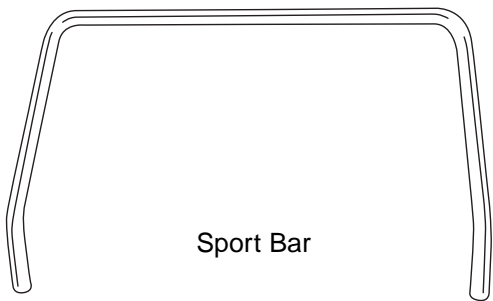
Windshield Frame - Back



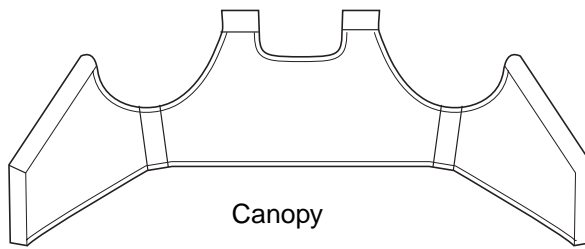
Windshield Bracket - 2



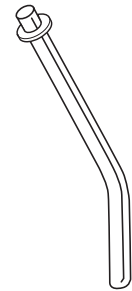
Windshield Hinge Pin - 2



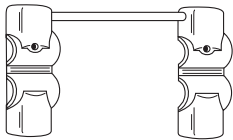
Sport Bar



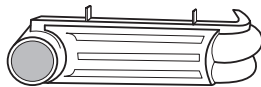
Canopy



Sport Bar Support - 2



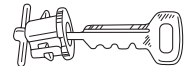
Sport Bar Bracket Set



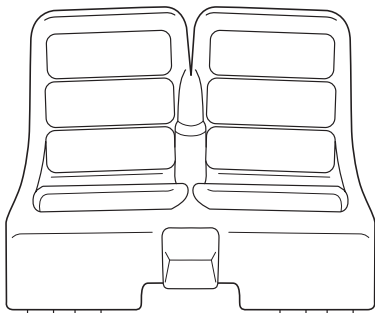
Right Sidepipe



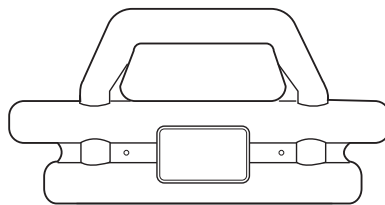
Left Sidepipe



Key Assembly



Seat



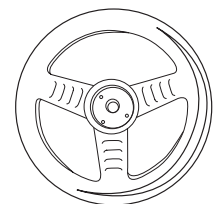
Brushguard



Brushguard  
Spacer Tube - 2



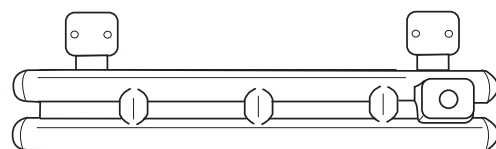
Steering  
Wheel Cap



Steering Wheel

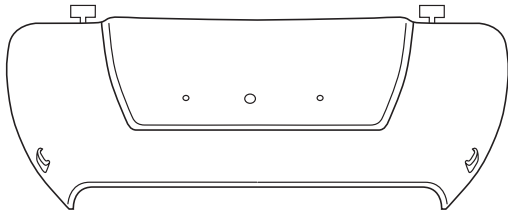


Steering Column

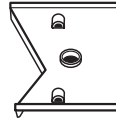


Rear Bumper

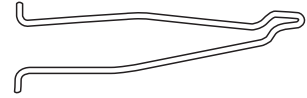
# Parts



Hood



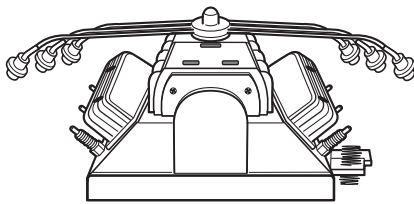
Hood Prop Base



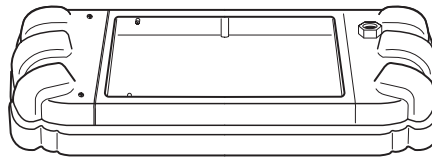
Prop Arm



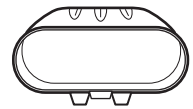
Adjuster Bolt



Engine Housing

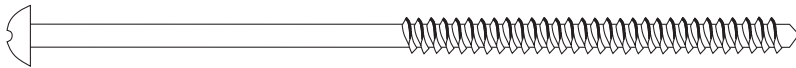


Engine Platform

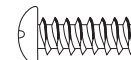


Air Scoop

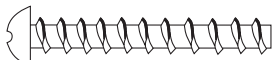
**Not Shown:** Label Sheet, Literature Bag



#8 x 4" Screw - 2



#10 x 1/2" Screw - 2



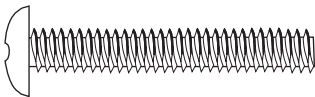
#8 x 1 1/4" Screw - 10



#8 x 3/4" Screw - 13



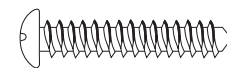
#8 x 1/2" Trusshead Screw - 2



1 1/2" x 1/4" Machine Screw - 2



#8 x 1" Screw - 13



#10 x 1" Screw - 4

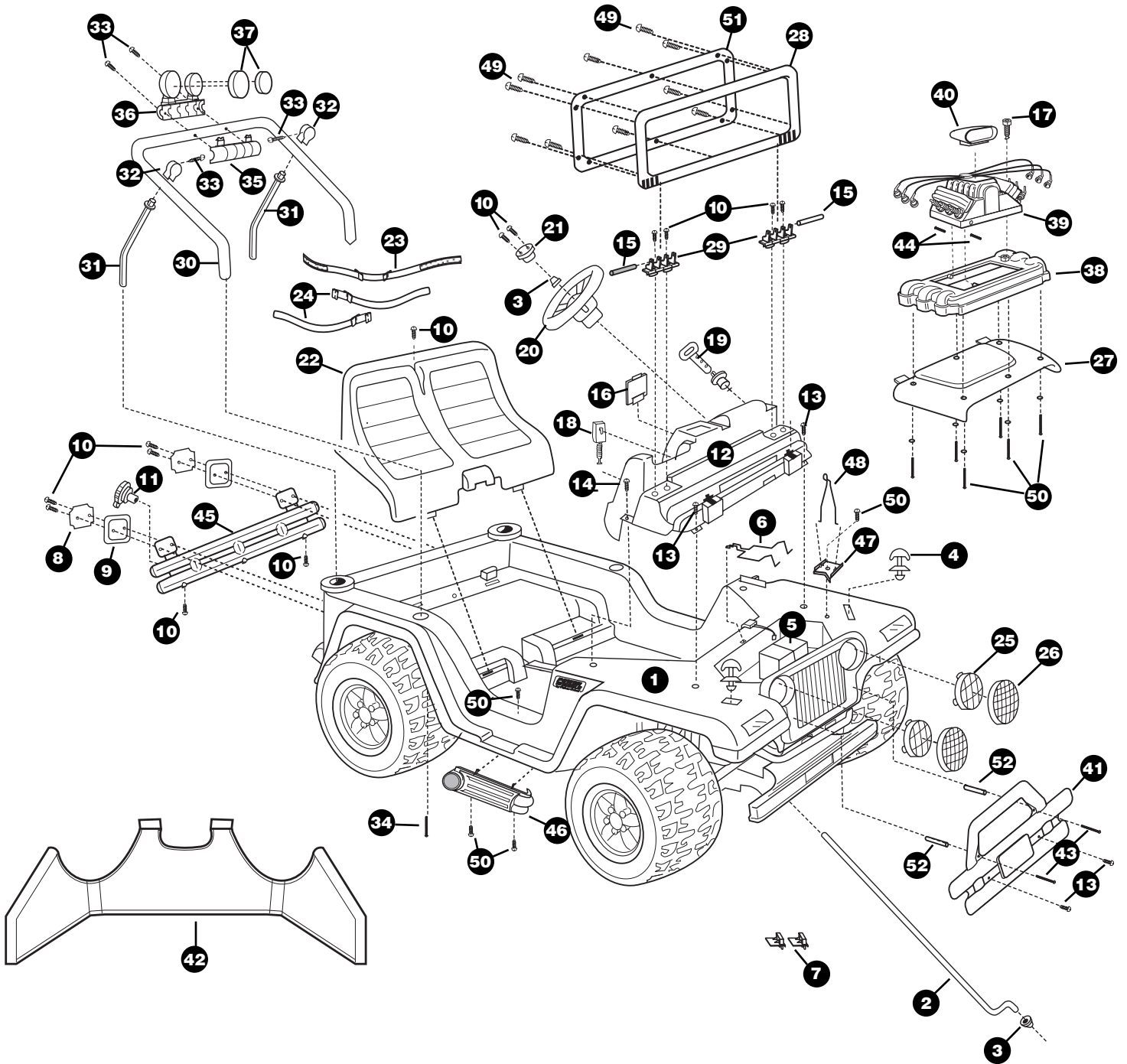
**All Screws Shown Actual Size**



#6 x 1 1/2" Screw - 4

# D

## Parts Diagram



# Parts Diagram

No.	Part	Quantity	No.	Part	Quantity
1	Vehicle Body	1	28	Windshield Frame, Front	1
2	Steering Column	1	29	Windshield Bracket	2
3	.354 Cap Nut	2	30	Sport Bar	1
4	Hood Latch	2	31	Sport Bar Support	2
5	6 Volt Battery	2	32	Sport Bar Bracket	2
6	Battery Retainer	1	33	#6 x 1 1/2" Screw	4
7	Thermal Fuse	2	34	1 1/2" x 1/4" Machine Screw	2
8	Taillight Lens	2	35	KC™ Light Rack, Front	1
9	Taillight Housing	2	36	KC™ Light Rack, Rear	1
10	#8 x 1" Screw	13	37	Light Cover	2
11	Gas Cap	1	38	Engine Platform	1
12	Dash	1	39	Engine Housing	2
13	#10 x 1" Screw	4	40	Air Scoop	2
14	#10 x 1/2" Screw	2	41	Brushguard	1
15	Windshield Hinge Pin	2	42	Canopy	1
16	Engine Switch Plate	1	43	#8 x 4" Screw	2
17	Adjuster Bolt	1	44	#8 x 1/2" Trusshead Screw	2
18	Microphone	1	45	Rear Bumper	1
19	Key Assembly	1	46	Right Side Pipe	1
20	Steering Wheel	1	47	Hood Prop Base	1
21	Steering Wheel Cap	1	48	Prop Arm	1
22	Seat	1	49	#8 x 1 1/4" Screw	10
23	Long Seat Belt Strap	1	50	#8 x 3/4" Screw	13
24	Short Seat Belt Strap	2	51	Windshield Frame, Back	1
25	Headlight Lens	2	52	Brushguard Spacer Tube	2
26	Lens Guard	2			
27	Hood	1		Not Shown: Left Side Pipe	1





## WARNING

- The batteries must be handled by adults only. The batteries are heavy and contain sulfuric acid (electrolyte). Dropping the batteries could result in serious injury.
- Never allow children to charge the batteries. Battery charging must be done by adults only. A child could be injured by the electricity involved in charging the batteries.
- Use of the wrong type batteries, fuses or charger could cause a fire or explosion, resulting in serious injury.
- Use of Power Wheels® components in products other than Power Wheels® vehicles could cause overheating, fire or explosion.
- Read the cautions on the back panels of the batteries.
- Never lift or carry the batteries by the wires or connectors. This can damage the batteries and possibly cause a fire. Lift and carry the batteries by the cases only.
- Examine the batteries, charger and their connectors for excessive wear or damage each time you charge the batteries. If damage or excessive wear is detected, do not use the charger or the vehicle until you have replaced the worn or damaged part.
- Do not bypass a Power Wheels® thermal fuse. It is a safety device.
- Never alter this vehicle or its electrical system in any way. Alterations could cause a fire resulting in injury and could also ruin the electrical system.

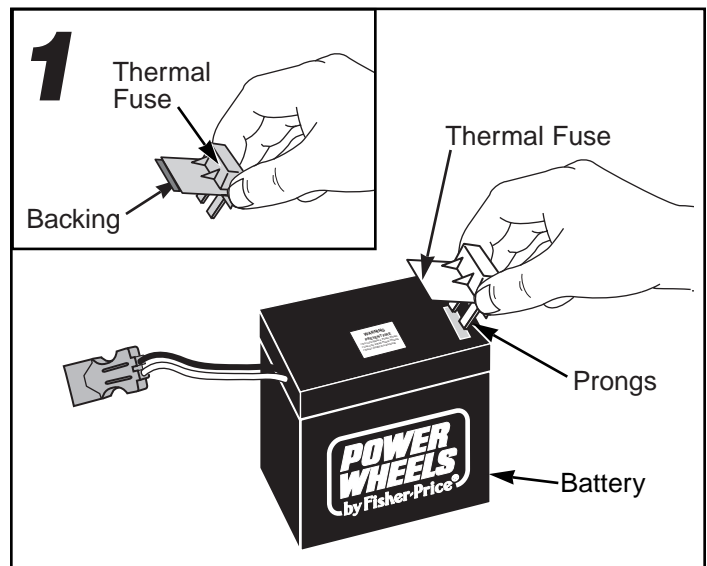


## CAUTION

Use the charger in dry locations only.

### Important Notes:

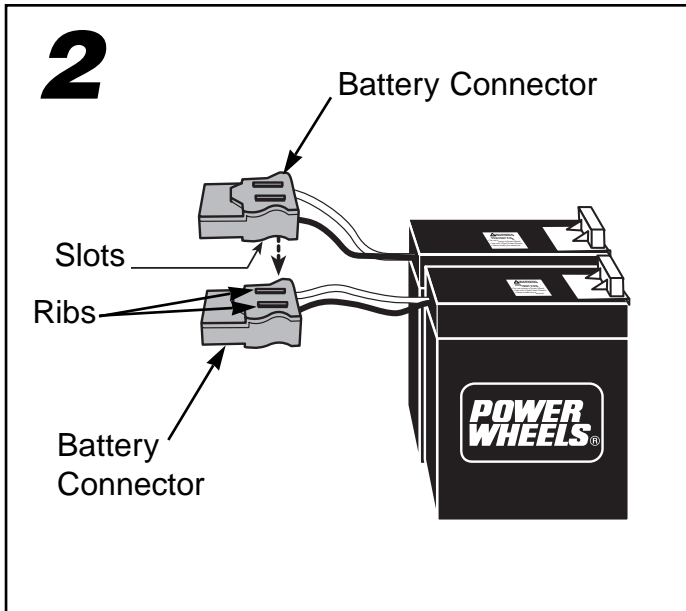
- Your new batteries must be charged for at least 18 hours before you use them in your vehicle for the first time.
- We recommend that you start charging your batteries before beginning assembly of your new vehicle.
- The batteries must be upright while charging.
- The charger is not a toy.
- Do not short circuit the batteries.
- You do not need to remove the batteries from your vehicle to recharge them.
- Before charging the batteries, examine the battery cases for cracks and other damage which may cause sulfuric acid (electrolyte) to leak during the charging process. If damage is detected, do not charge the batteries or use them in your vehicle. Battery acid is very corrosive and can cause severe damage to surfaces it contacts. Take precautions to protect the surface on which you charge your batteries.
- Use only a Power Wheels® 12 volt charger (120 VAC 60 Hz 28W with an output of 12 VDC 1200mA) to charge your Power Wheels® 6 volt batteries.



- Install a thermal fuse in each battery:
  - Peel the backing from the underside of the plastic thermal fuse casing and discard the backing.
  - Insert the thermal fuse, prong side down, into the battery. Make sure the prongs are fully inserted into the battery.
  - Press on the plastic casing to be sure it is adhered to the battery.

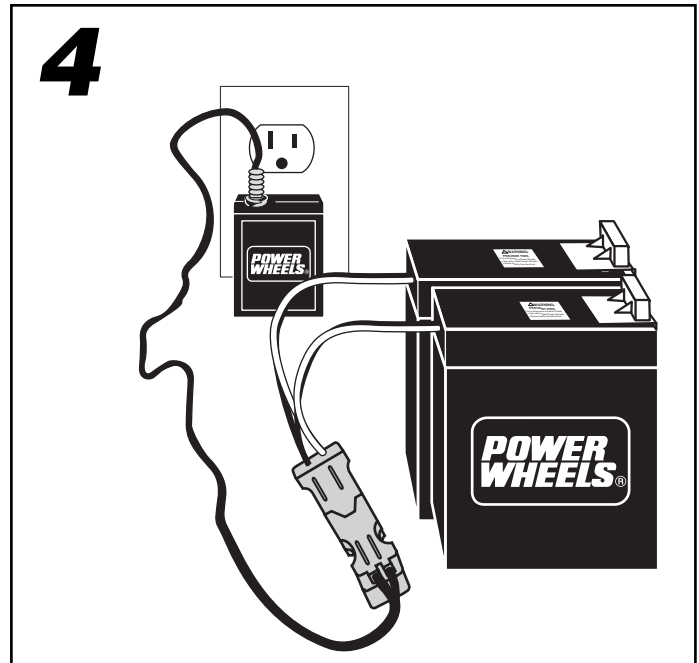
**Note:** The thermal fuses are properly installed in the batteries when the plastic casings rest squarely on top of the batteries.

# Battery Charging

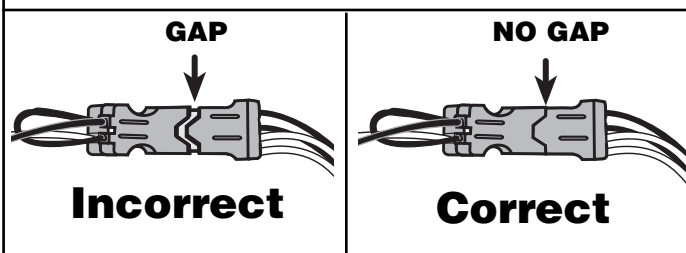
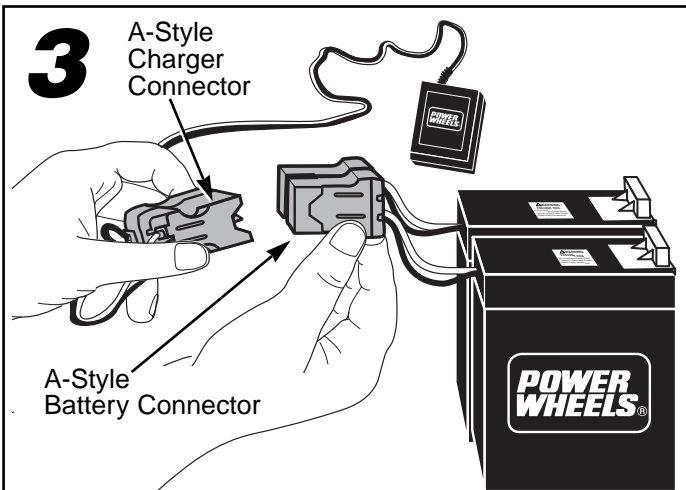


- Align the ribs on the top of one of the battery connectors with the slots on the bottom of the other battery connector.
- Stack the two battery connectors and press to join.

**Note:** Make sure that the two connectors on the charger are also stacked and joined.



- Plug the charger into a standard 120 volt wall outlet.  
**Note:** If power flow to the wall outlet is controlled by a switch, make sure the switch is "ON".
- **Before first time use, charge the batteries for at least 18 hours.** Never charge the batteries longer than 30 hours.
- **Recharge the batteries for at least 14 hours** after each use of your vehicle. Do not charge the batteries longer than 30 hours.
- Once the batteries are charged, disconnect the charger connector from the battery connector. Unplug the charger from the wall outlet. The batteries are now charged and are ready to be installed in your vehicle.

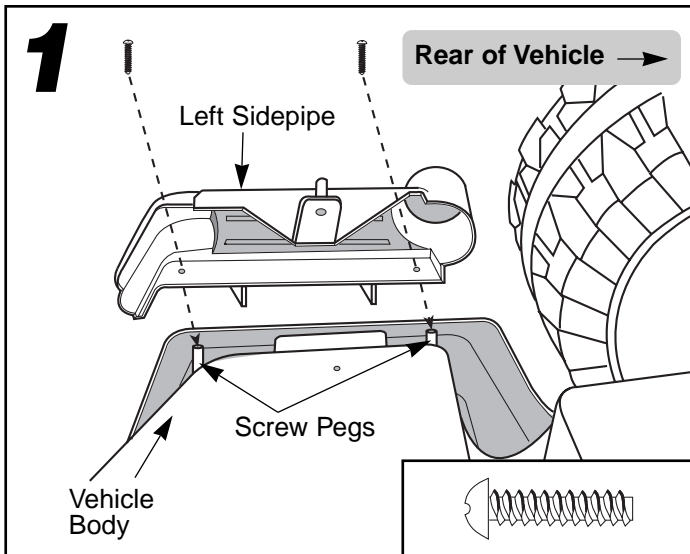


- Plug the charger and battery connectors together. Push firmly to make sure the two connectors are completely joined.

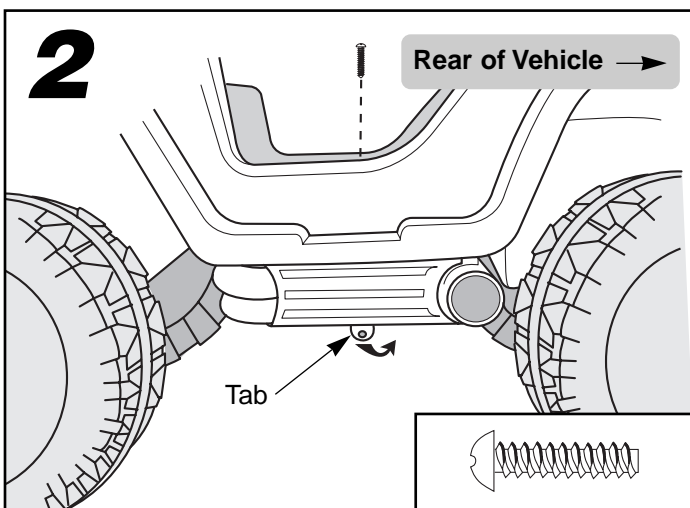
# F

## Assembly

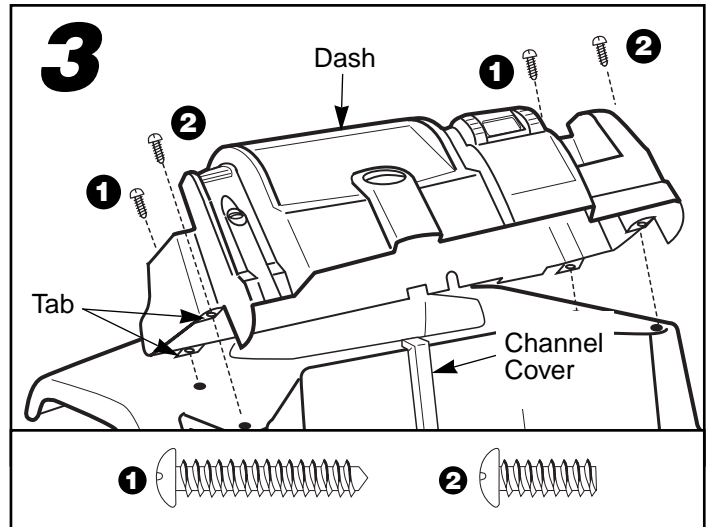
Do not omit any steps. Please set aside at least 60 minutes for assembly.



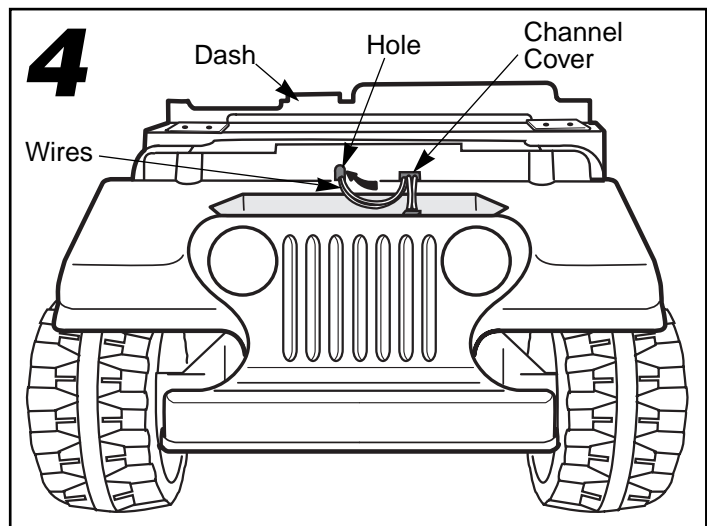
- Turn the vehicle body upside down.
- Fit the left sidepipe under the left (driver) side of the vehicle body.
- Insert two #8 x  $\frac{3}{4}$ " screws through the top of the left sidepipe and into the screw pegs on the underside of the vehicle body.
- Tighten the screws with a Phillips screwdriver. Do not over-tighten.
- Repeat this procedure to assemble the right sidepipe to the right side of the vehicle body.



- Turn the vehicle body upright.
- Gently bend the tab on one of the sidepipes under the vehicle body.
- Insert a #8 x  $\frac{3}{4}$ " screw through the hole in the vehicle body floor and into the tab.
- Tighten the screw with a Phillips screwdriver. Do not over-tighten.
- Repeat this procedure on the other side of the vehicle body.

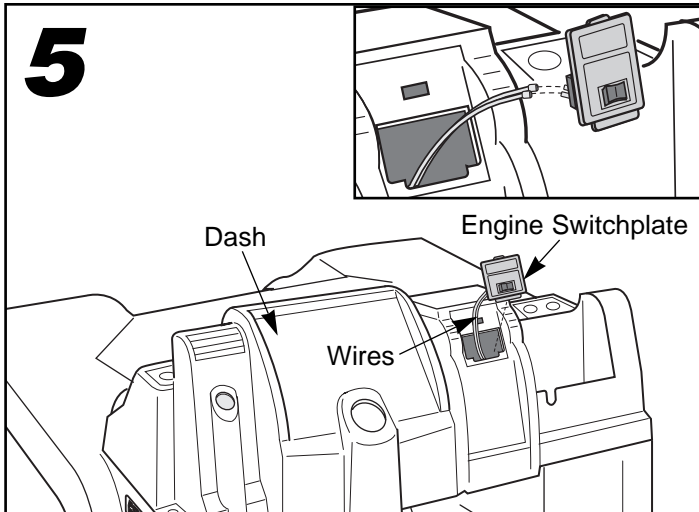


- Position the dash on the vehicle body. Make sure the holes in the dash tabs align with the holes in the vehicle body and that the channel cover is captured by the dash.
- Insert two #10 x 1" screws through the holes towards the rear of the dash (closest to the hood area) and into the vehicle body ①.
- Insert two #10 x  $\frac{1}{2}$ " screws through the holes towards the front of the dash (closest to the passenger compartment) and into the vehicle body ②.
- Tighten the screws with a Phillips screwdriver. Do not over-tighten.

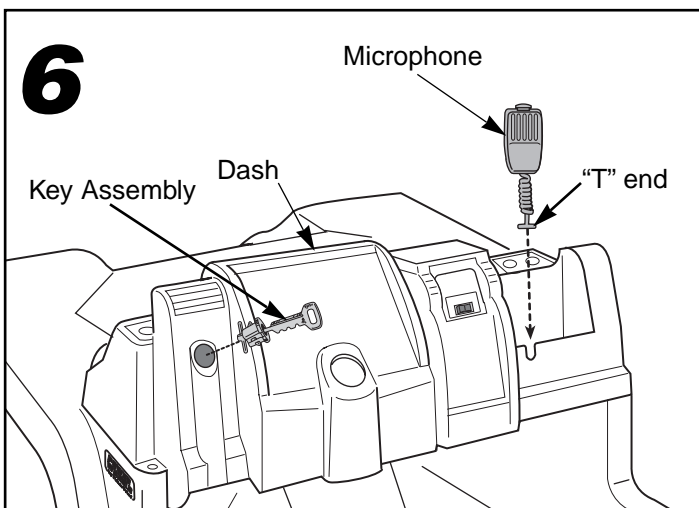


- Identify the wires which exit from the end of the channel cover. Identify the two wires that do not have large plastic connectors at the end.
- Route the two wires through the hole in the dash wall.

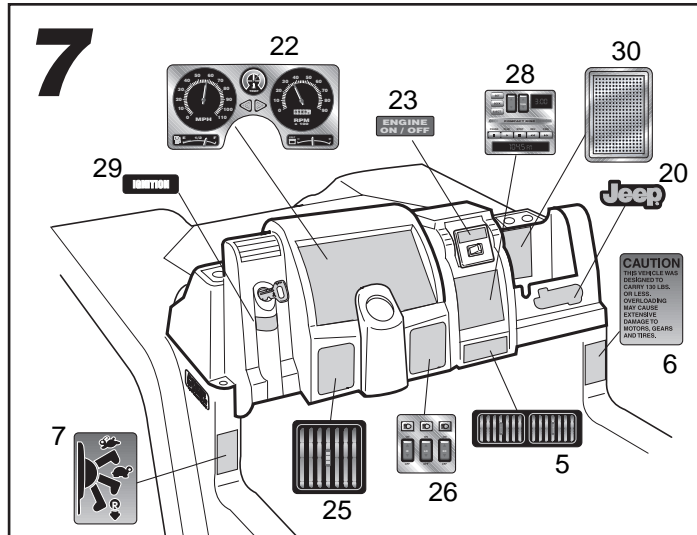
# Assembly



- Continue to route the two wires out through the square opening in the dash.
- Position the engine switch plate near the square opening in the dash so that the small tab on the engine switch plate is at the top.
- Fit the terminals on the ends of the wires onto the posts on the back of the engine switch plate (see inset).
- Fit the large tab on the bottom of the engine switch plate into the large slot near the square opening in the dash.
- Press firmly to snap the top tab into the corresponding slot in the dash.



- Snap the key assembly into the dash.
- Bend the plastic tip on the end of the microphone cord so that it forms a "T".
- Fit the "T" end of the microphone cord down through the hole in the dash pocket. Pull up gently on the microphone cord to make sure the end is secured under the dash.
- To hang the microphone on the dash, fit the hook on the back of the microphone onto the notch in the dash.



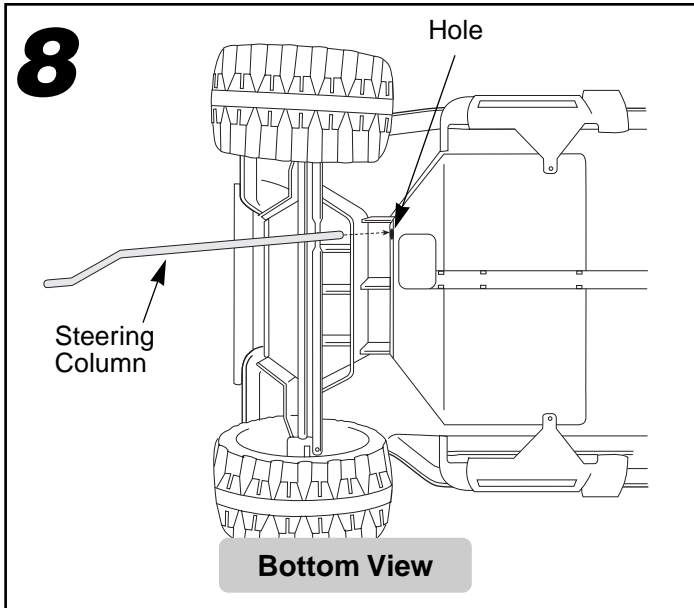
- Apply labels to the dash as shown.

**Helpful Hint!** Proper label application will help to keep the labels looking their best! When applying labels, keep the following guidelines in mind:

- Wash your hands before applying the labels.
- Before applying the labels, wipe the surface of the vehicle with a clean, dry cloth to remove any dust or oils.
- Place the labels exactly as shown in the illustrations.
- For best results, avoid repositioning a label once it has been applied to the vehicle.
- **After applying a label, rub the label firmly with a clean, dry cloth to make sure the label is adhered to your vehicle. Start at the center of a label, and smooth towards the outer edges to remove air bubbles.**

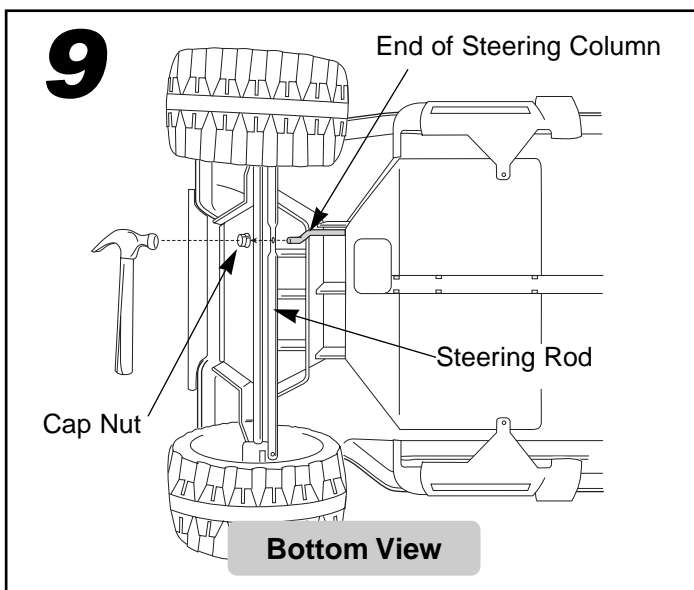
# Assembly

## 8



- Wipe the steering column with a paper towel to remove any excess lubricant.
- Turn the vehicle body on its side.
- Insert the straight end of the steering column up through the two holes in the vehicle body and out through the hole in the dash.

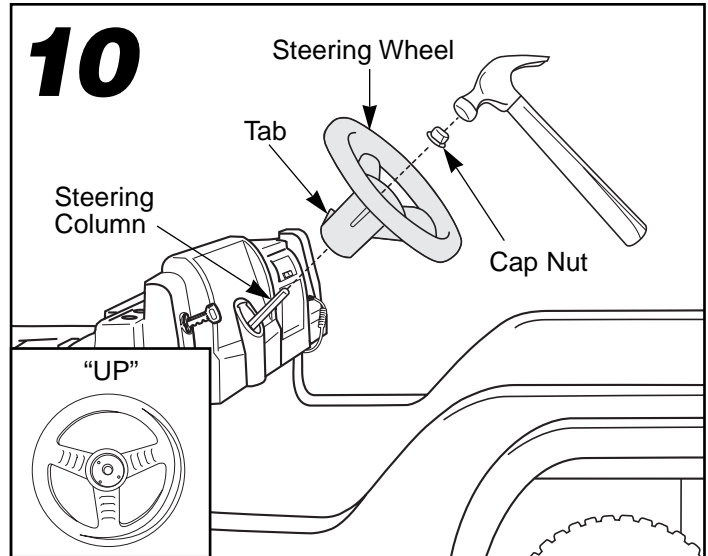
## 9



- Insert the end of the steering column through the hole in the steering rod.
- Fit a cap nut onto the end of the steering column.
- While supporting the steering column, tap the cap nut with a hammer to secure it on the steering column.

**Helpful Hint!** You may want the help of another person to support the steering column while you tap the cap nut with the hammer.

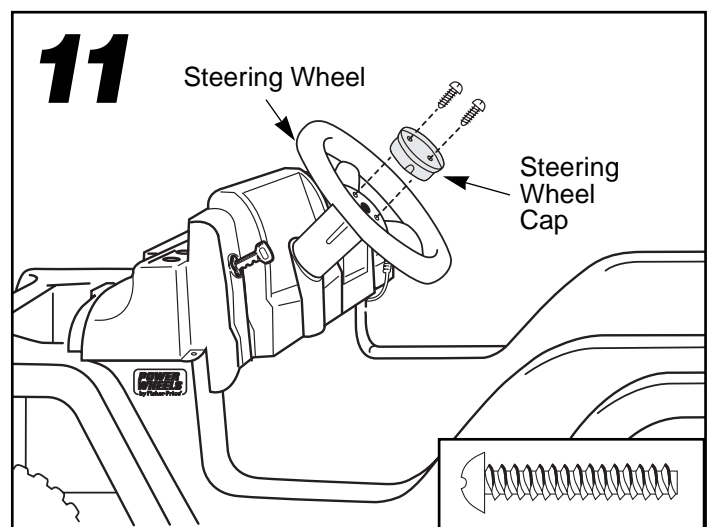
## 10



- Turn the vehicle body upright.
- Position the steering wheel so that the spokes form a "Y" as shown. The tab on the steering wheel stem should face up.
- Fit the steering wheel onto the steering column.
- Fit a cap nut onto the end of the steering column.
- Tap the cap nut with a hammer to secure it on the steering column.

**Helpful Hint!** You may want the help of another person to support the steering column while you tap the cap nut with the hammer.

## 11

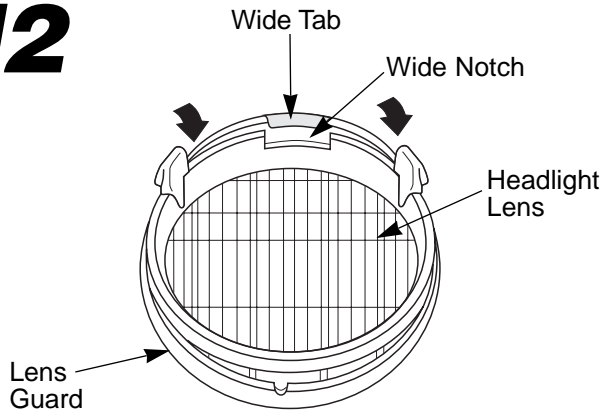


- Fit the steering wheel cap into the center of the steering wheel with the screw holes aligned.
- Insert two #8 x 1" screws as shown.
- Tighten the screws with a Phillips screwdriver. Do not over-tighten.

## 13

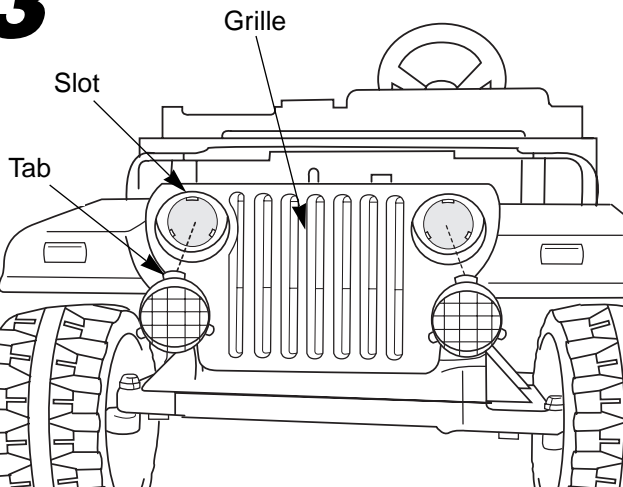
# Assembly

## 12



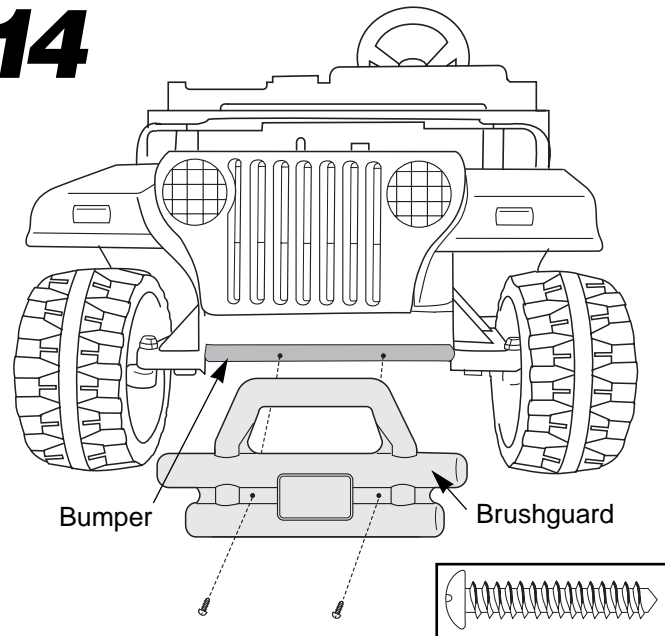
- Fit the wide notch in the side of a headlight lens under the wide tab on a lens guard.
- Press firmly on the inside of the headlight lens to snap it into the lens guard.
- Repeat this procedure to assemble the other headlight lens to the remaining lens guard.

## 13



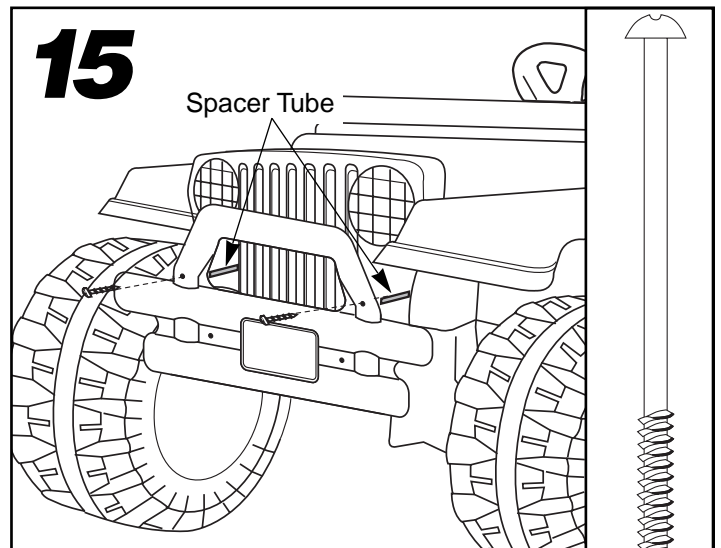
- Fit the lens tabs on the back of a lens assembly into the headlight slots in the grille.
- Press firmly to snap the lens assembly into the grille.
- Repeat this procedure to snap the other lens assembly into the grille.

## 14



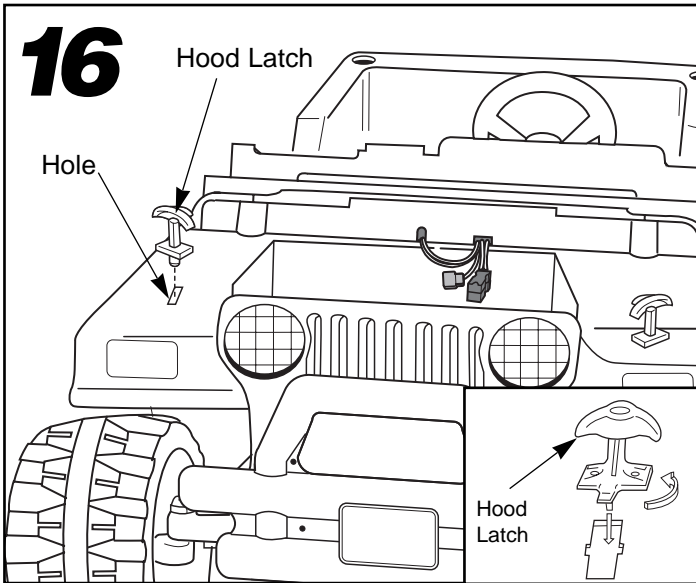
- Fit and hold the brushguard against the front bumper.
- Insert two #10 x 1" screws through the front of the brushguard and into the bumper.
- Tighten the screws with a Phillips screwdriver. Do not over-tighten.

## 15

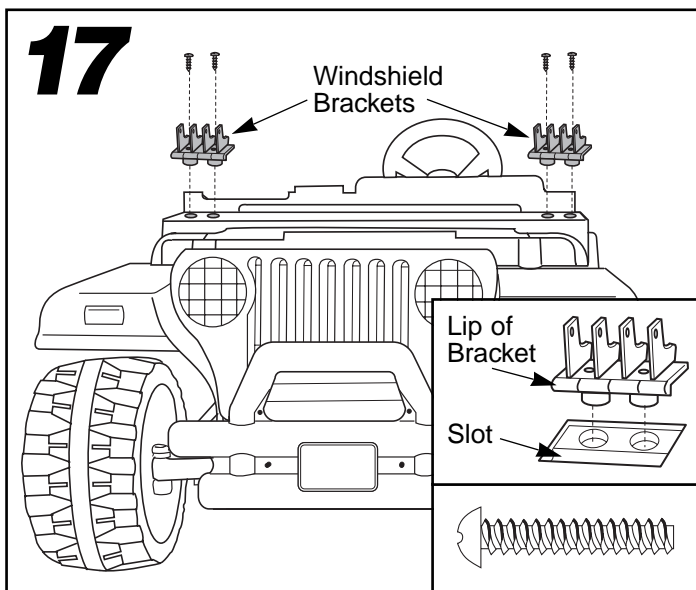


- Fit a spacer tube between the grille and the back of the brushguard, as shown.
- Insert a #8 x 4" screw through the brushguard and spacer tube and into the hole in the grille.
- Tighten the screw with a Phillips screwdriver. Do not over-tighten.
- Repeat this procedure on the other side of the grille.

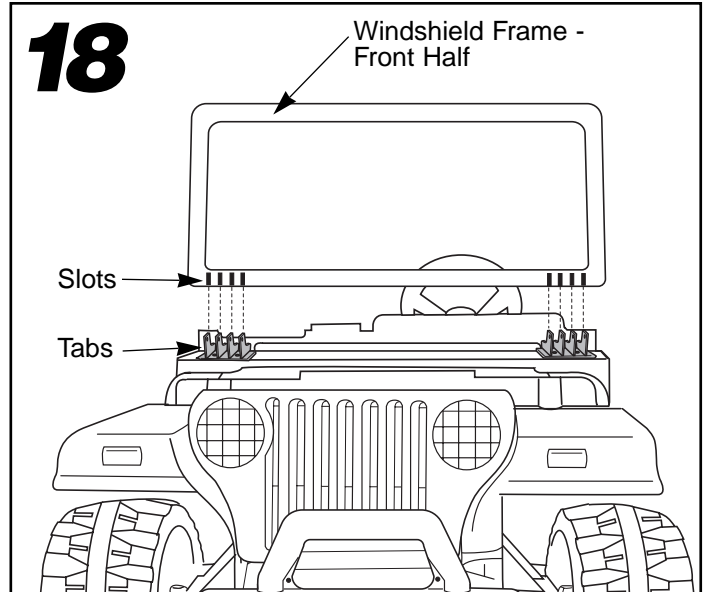
# Assembly



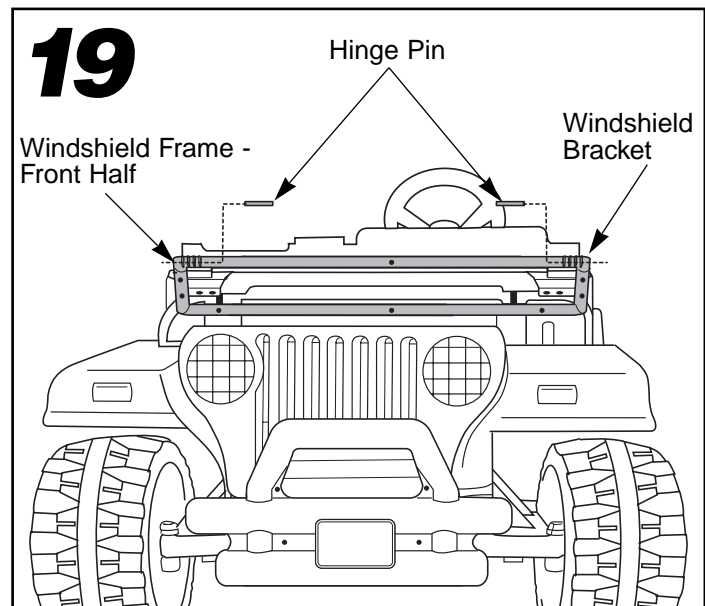
- Insert a hood latch into one of the holes in the vehicle body, near the hood area.
- Twist the base of the hood latch  $\frac{1}{4}$  turn to secure it in the vehicle body.
- Repeat this procedure on the other side of the hood area to attach the other hood latch to the vehicle body.



- Fit the screw pegs on the windshield brackets into the holes in the top surface of the dash. Press firmly to fit the lip on each windshield bracket into the slot in the top of the dash.
- Insert two #8 x 1" screws into each windshield bracket.
- Tighten the screws with a Phillips screwdriver. Do not over-tighten.

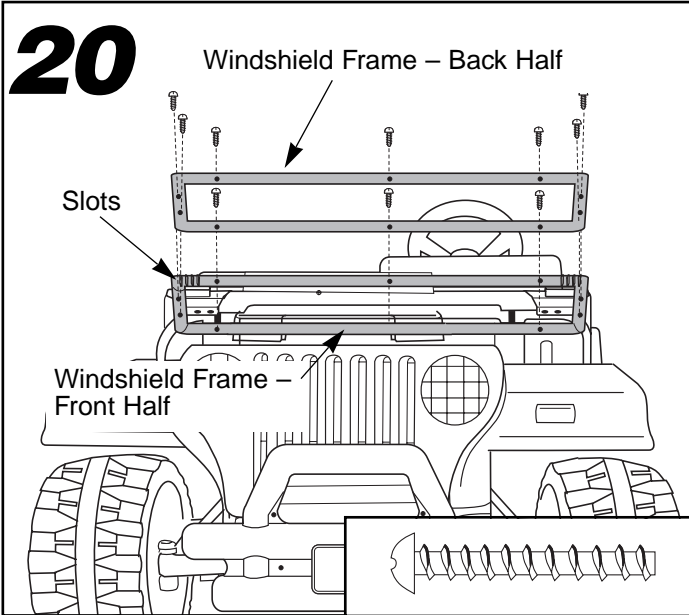


- Align the slots in the front half of the windshield frame with the tabs on the windshield brackets.
- Fit the front half of the windshield frame onto the windshield brackets as shown.



- Rotate the front half of the windshield frame down so it lays flat on the vehicle body.
- Working from the center of the vehicle, insert a hinge pin through the holes in the windshield frame and the holes in a windshield bracket, as shown.
- Repeat this procedure to secure the front half of the windshield frame to the other windshield bracket.

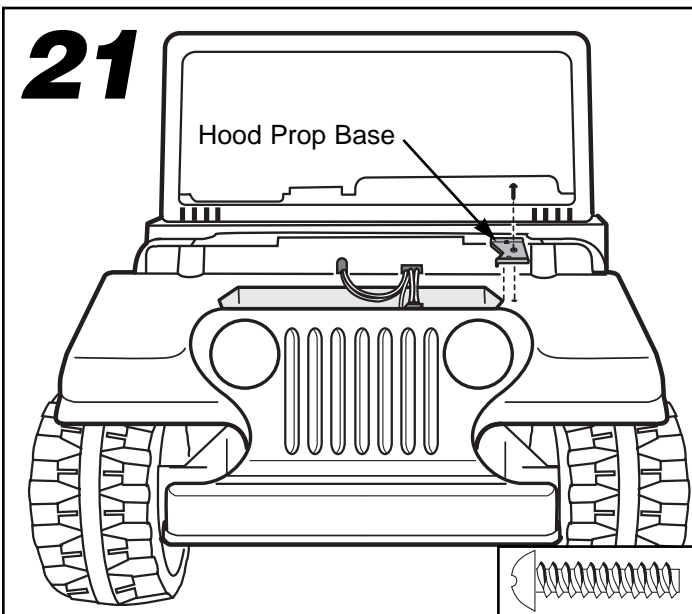
# Assembly



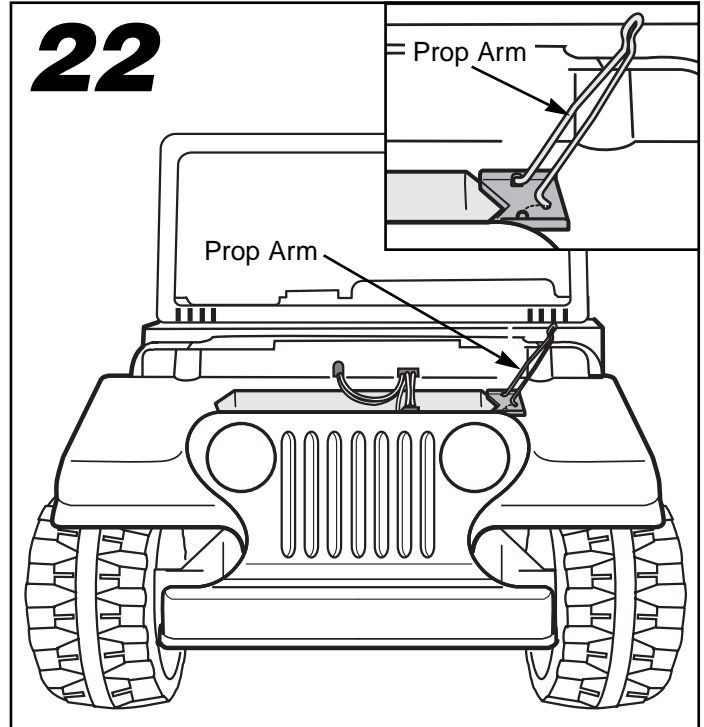
- Fit the back half of the windshield frame onto the front half of the windshield frame. Make sure the slots at the bottom of the two windshield frame halves are aligned.
- Insert ten #8 x 1/4" screws into the back half of the windshield frame.
- Tighten the screws with a Phillips screwdriver. Do not over-tighten.

**Helpful Hint!** Squeeze the two windshield halves together while tightening the screws.

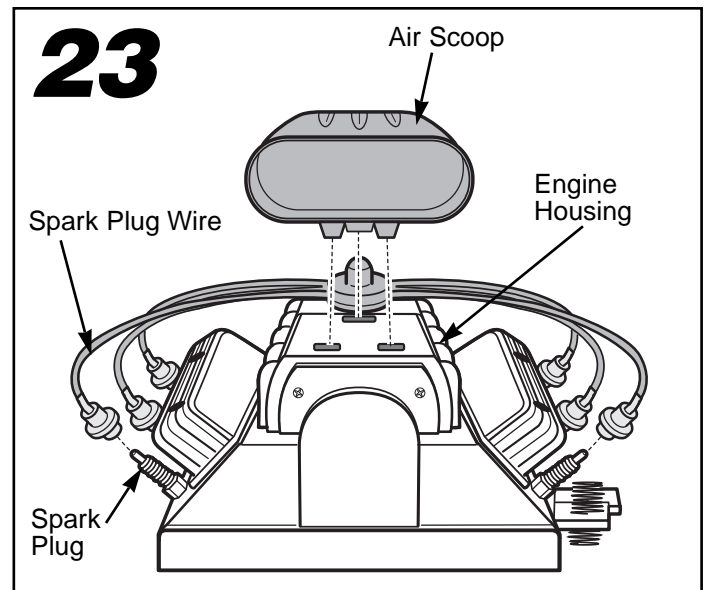
- Lift the assembled windshield to the raised position.



- With the lip on the hood prop base facing down, align the hole in the hood prop base with the hole in the vehicle body near the battery compartment. The hood prop base should lay flat on the vehicle body.
- Insert a #8 x 3/4" screw through the hole in the hood prop base. Tighten the screw with a Phillips screwdriver. Do not over-tighten.



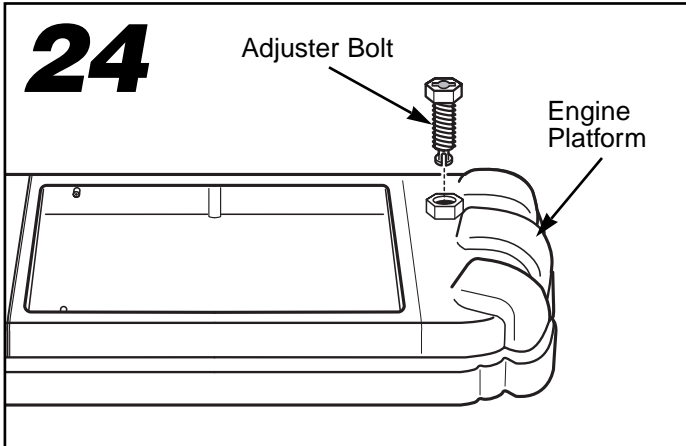
- Gently squeeze the ends of the prop arm to fit them under the arm retainers on the hood prop base.
- Release the ends of the prop arm under the retainers.



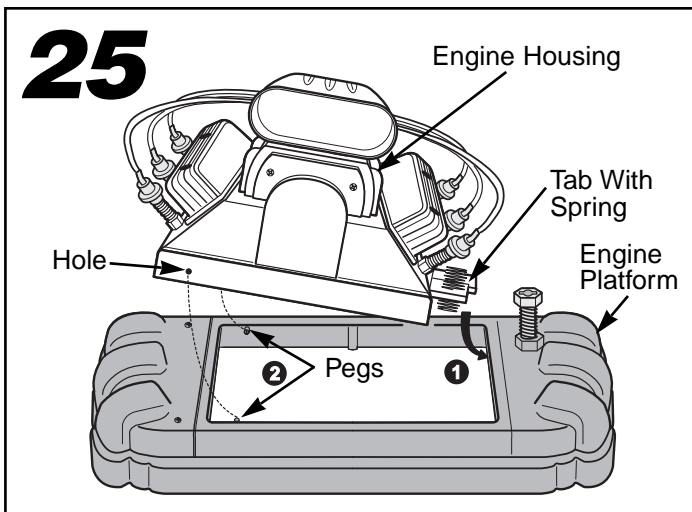
- Snap the tabs on the bottom of the air scoop into the slots on the top of the engine housing.
- Fit the pretend spark plug wires onto the pretend spark plugs.



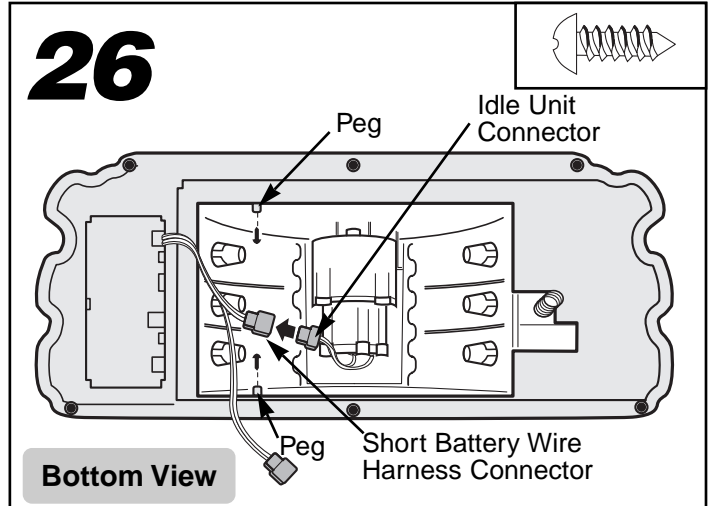
# Assembly



- Press firmly to insert the end of the adjuster bolt through the hole in the engine platform. **This is a tight fit and you will need to press firmly.**
- Rotate the adjuster bolt to screw it into the engine platform.

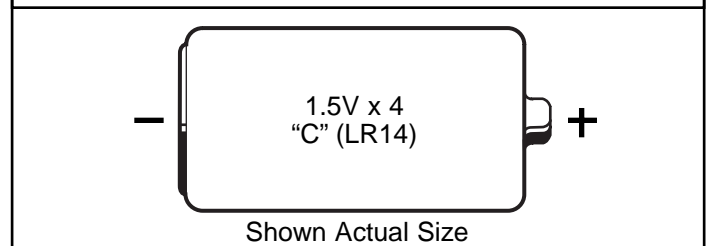
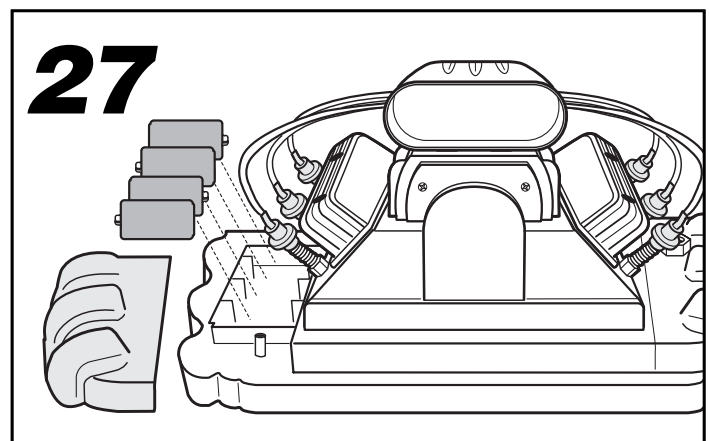


- Position the engine platform on a flat surface.
- Position the engine housing over the engine platform so that the tab (with spring) on the engine housing is on the same side as the adjuster bolt hole on the engine platform.
- With the engine housing angled as shown, fit the tab (with spring) through the opening in the engine platform ①.
- Fit the peg on the side of the engine platform opening into the hole in the engine housing ②.
- Gently flex the opposite engine platform wall to fit the peg on the other side of the engine platform into the hole in the engine housing.



**Bottom View**

- Turn the pretend engine assembly upside down.
  - Insert two #8 x 1/2" trusshead screws into the pegs. Tighten the screws with a Phillips screwdriver. Do not over-tighten.
- Helpful Hint!** It's easiest to tighten the screws using a small screwdriver.
- Note the two connectors at the ends of the battery wire harness and the connector at the end of the idle unit wire harness.
  - Plug the idle unit wire harness connector to the shorter of the two battery wire harness connectors. To plug the two connectors together, align the slot on the idle unit's connector with the tab on the inside of the battery harness' connector and press firmly.
  - Position the pretend engine assembly upright.



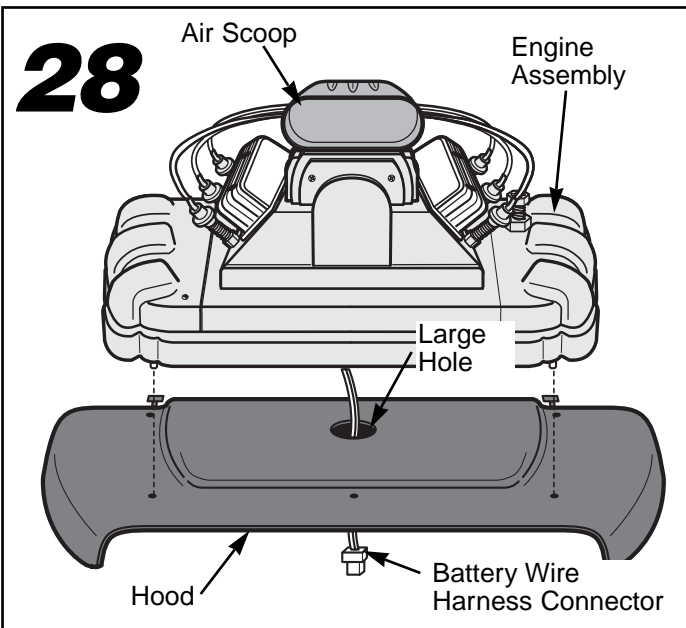
- Loosen the screws in the battery compartment lid using a Phillips screwdriver and remove the lid.
- Insert four size "C" (LR14) alkaline batteries in the correct polarity as indicated in the battery compartment.

# Assembly

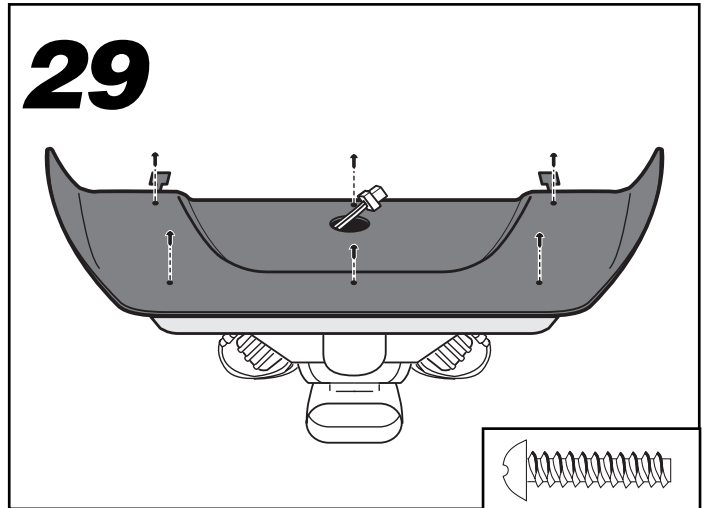
- To replace the lid on the battery compartment, fit the tabs on the battery compartment lid into the slots in the engine platform. Tighten the screws with a Phillips screwdriver. Do not over-tighten.

## Battery Tips:

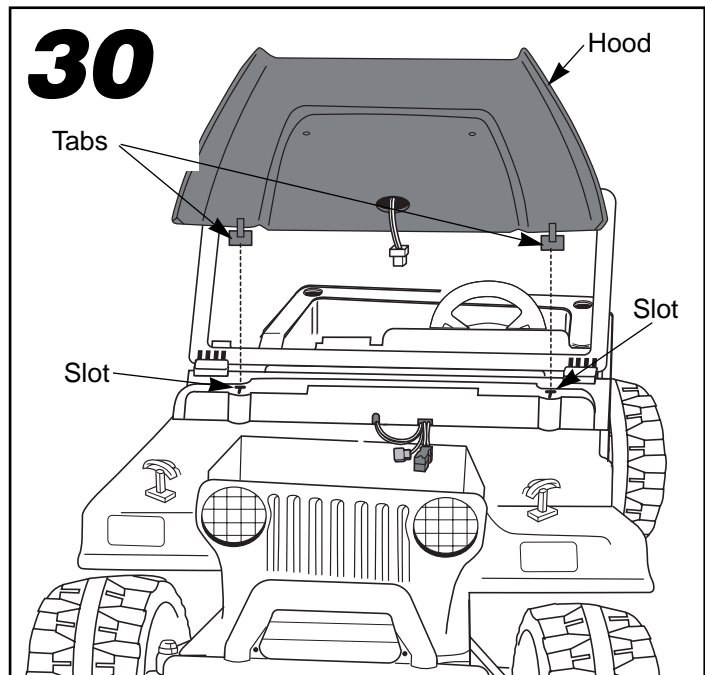
- Do not mix old and new batteries.
- Do not mix different types of batteries: alkaline, standard (carbon-zinc) or rechargeable (nickel-cadmium).
- Remove the batteries during long periods of non-use. Always remove exhausted batteries from the product. Battery leakage and corrosion can damage the product.
- Never short circuit the battery terminals.
- Non-rechargeable batteries are not to be recharged.
- Only batteries of the same or equivalent type as recommended in the battery installation instructions are to be used.
- If removable rechargeable batteries are used, they are only to be charged under adult supervision.
- Rechargeable batteries are to be removed from the product before they are charged.
- If you use a battery charger, it should be examined regularly for damage to the cord, plug, enclosure and other parts. Do not use a damaged battery charger until it has been properly repaired.
- Replace the batteries when the pretend engine begins to sound sluggish or faint or when it does not make sound at all.



- Position the hood upright.
- Place the pretend engine assembly on the hood. Make sure the front of the air scoop on the pretend engine assembly faces the front (narrow side) of the hood and that the loose battery wire harness connector extends down through the large hole in the center of the hood.



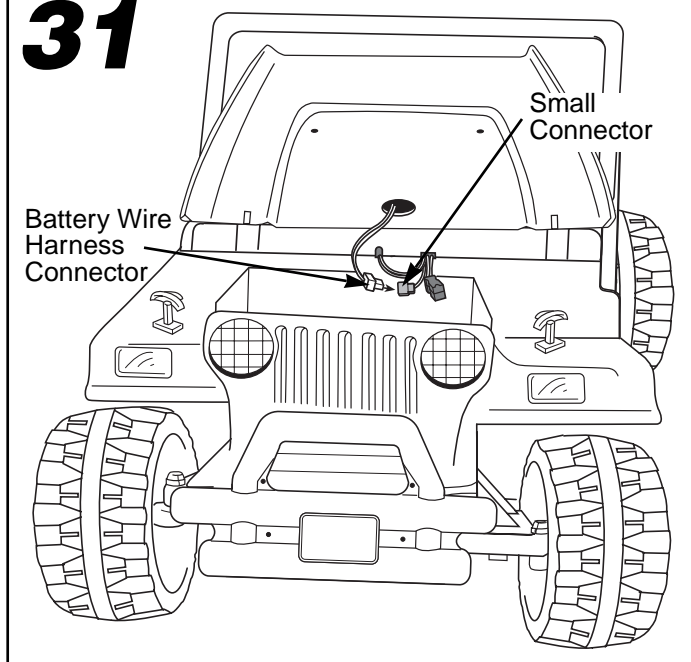
- Position the hood upside down.
- Align the holes in the hood with the screw pegs on the engine platform.
- Insert six #8 x 3/4" screws through the hood and into the engine platform. Tighten the screws with a Phillips screwdriver. Do not over-tighten.



- Position the hood over the front of the vehicle body.
- Insert the tabs on the hood into the slots in the vehicle body.

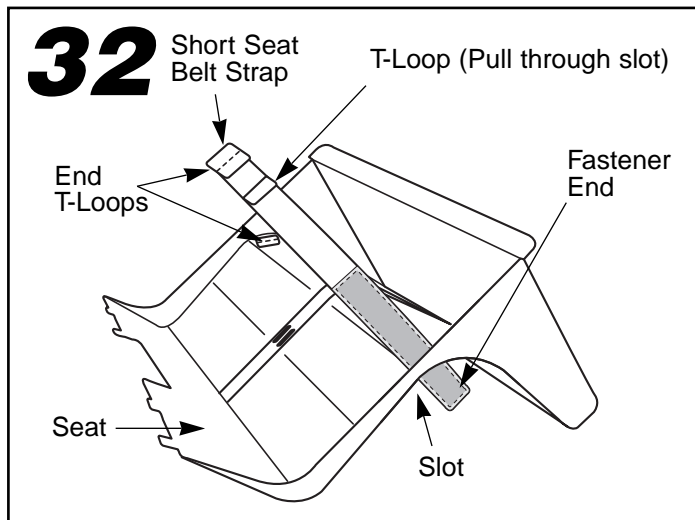
# Assembly

## 31



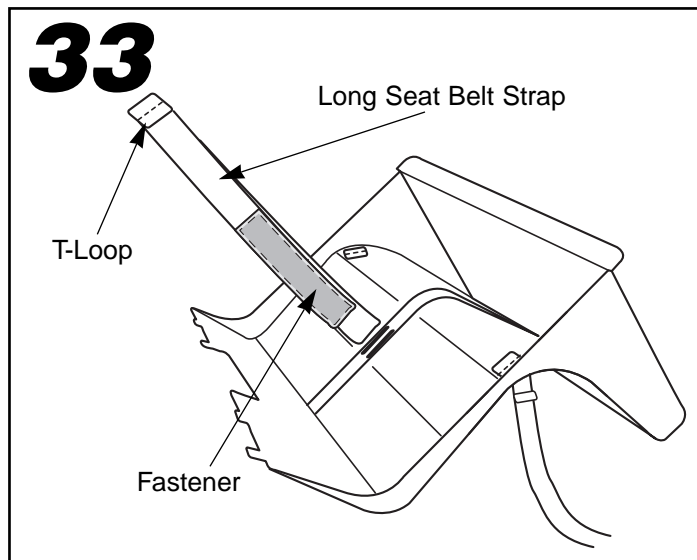
- Plug the pretend engine assembly's battery wire harness connector to the small connector near the dash.
- Close and latch the hood.

## 32



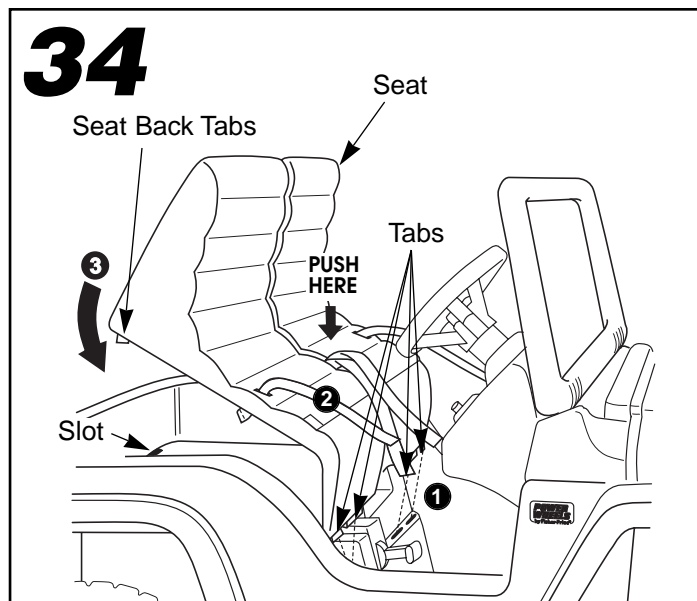
- Turn the seat upside down.
- Insert the fastener end of a short seat belt strap through the slot near the outer edge of the seat. Make sure the side of the seat belt with the fastener faces the outer edge of the seat.
- Pull the short seat belt strap completely through the slot until the last T-loop at the opposite end of the belt catches against the slot. You will pull one T-loop through the slot.
- Repeat this procedure to assemble the other short seat belt strap.

## 33



- Insert each end of the long seat belt strap through a slot in the center of the seat. Make sure the fasteners face the outer edge of the seat.
- Pull each side of the long seat belt strap evenly through the slots. Make sure to pull each T-loop through a slot.
- Turn the seat upright.

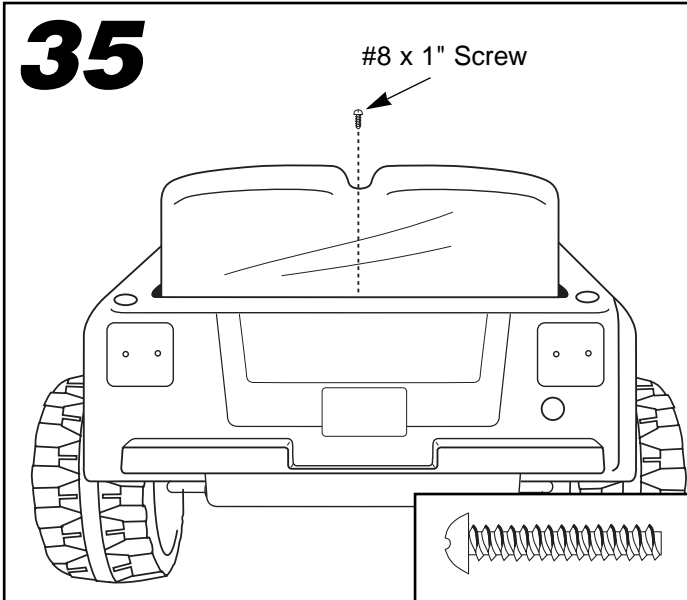
## 34



- With the seat at an angle, insert the tabs on the front edge of the seat into the slots in the foot-well wall **1**.
- Push down firmly on the edge of the seat above each tab to snap the tabs into the slots **2**.
- Rotate the back of the seat down **3** to snap the seat back tabs into the slots in the vehicle body. Push down firmly on the seat back.

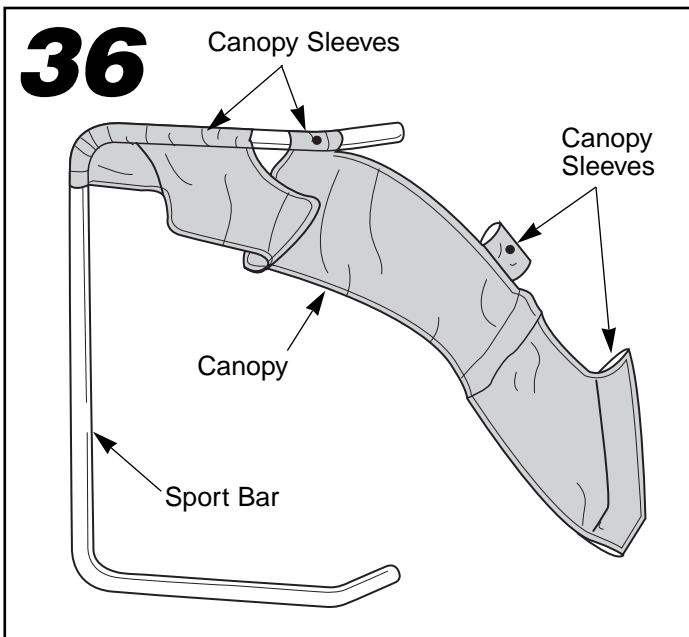
# Assembly

## 35



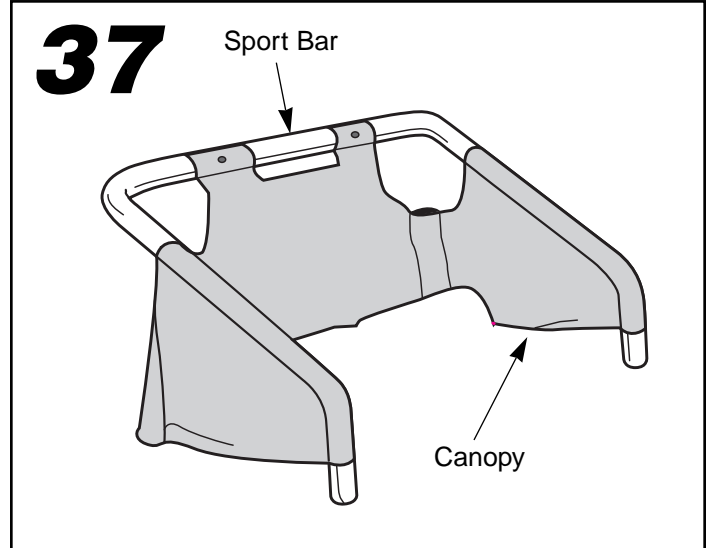
- Insert a #8 x 1" screw into the rear of seat as shown.
- Tighten the screw with a Phillips screwdriver. Do not over-tighten.

## 36



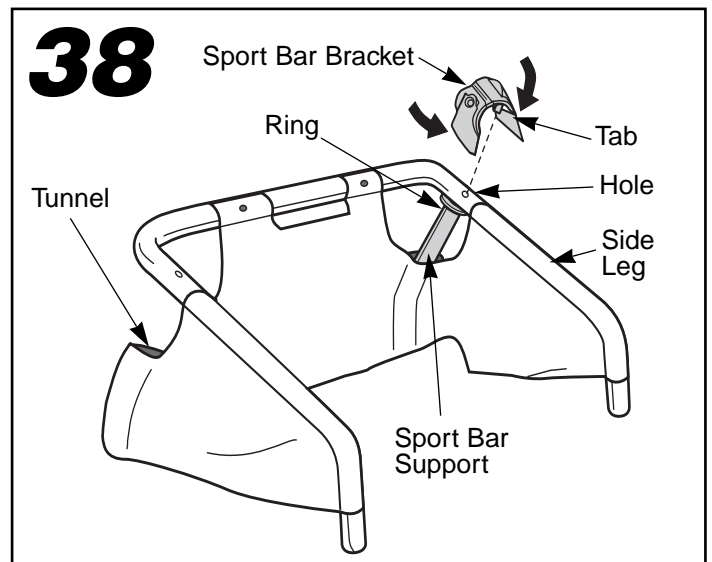
- Position the sport bar on its side so that the sport bar ends curve away from you.
- Position the canopy opposite the sport bar with the netting facing away from you.
- Slide the four canopy sleeves onto the sport bar.

## 37



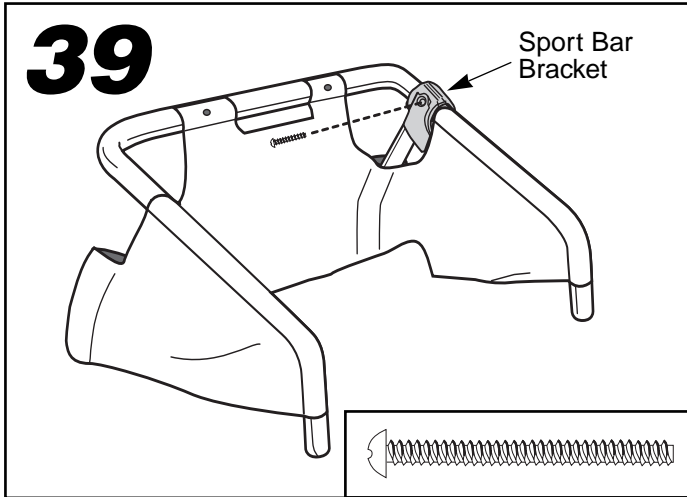
- Extend the canopy completely around the sport bar.

## 38

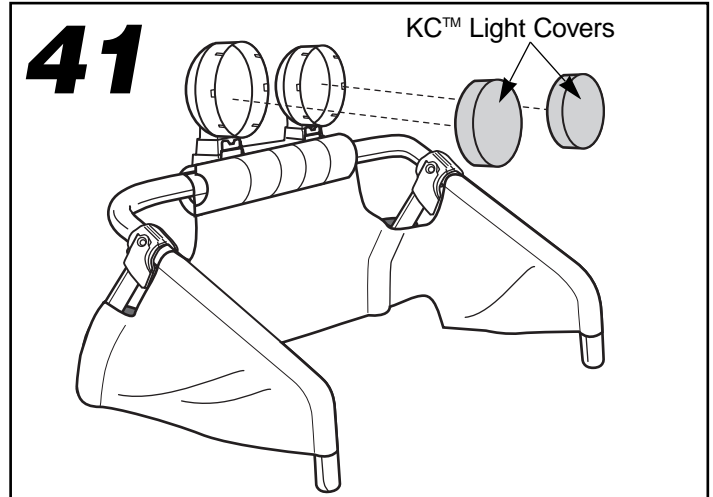


- Using safety scissors, remove the sport bar brackets from the plastic connector. Dispose of the plastic connector.
- Position the sport bar upright.
- Fit a sport bar support through a tunnel in a rear corner of the canopy. Make sure the ring end of the sport bar support is positioned toward the sport bar.
- Position a sport bar bracket above one of the sport bar side legs, as shown.
- Insert the tab on the inside of the sport bar bracket into the hole in the sport bar side leg.
- Fit the ring on the sport bar support against the end of the sport bar bracket.
- Fold the sport bar bracket over the sport bar to close it around the sport bar and sport bar support.

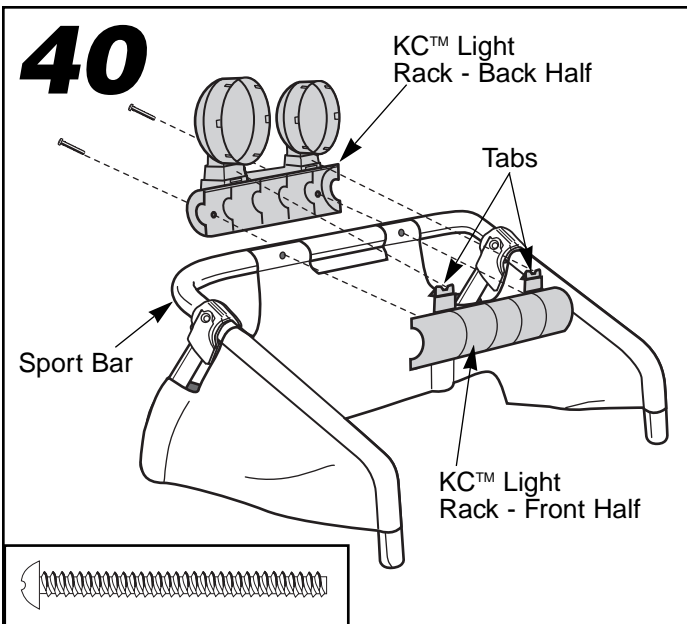
# Assembly



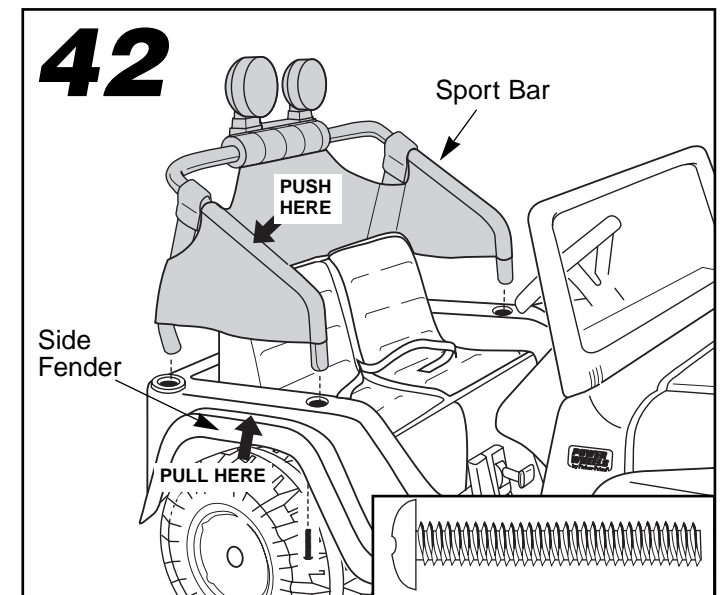
- Insert a #6 x 1/2" screw into the sport bar bracket.
- Tighten the screw with a Phillips screwdriver. Do not over-tighten.
- Repeat steps 38 and 39 to attach the other sport bar support to the other sport bar side leg.



- Align the tabs on the inside of a light cover with the slots in one of the light housings on the KC™ light rack.
- Push firmly on the light cover to snap it to the light housing.
- Repeat this procedure on the other side of the KC™ light rack to assemble the other light.



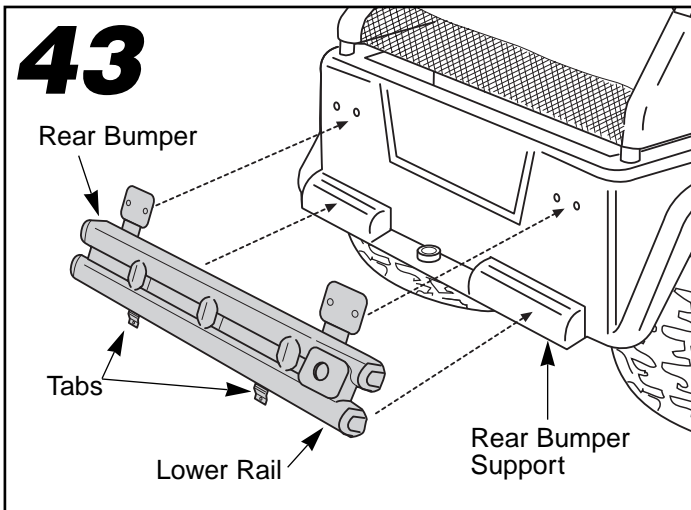
- Position the sport bar upright, as shown.
- Fit and hold the front and back halves of the KC™ light rack against the sport bar. Make sure the two KC™ light rack halves are aligned, and that the screw holes in the KC™ light rack are aligned with the screw holes in the canopy and the sport bar.
- Snap the tabs on the front half of the KC™ light rack into the slots below the light housings on the rear half of the KC™ light rack.
- Insert two #6 x 1/2" screws through the holes in the back of the KC™ light rack, through the sport bar, and into the front half of the KC™ light rack.
- Tighten the screws with a Phillips screwdriver. Do not over-tighten.



- Fit the sport bar and sport bar support legs into the holes in the vehicle body.
- Push down firmly on a sport bar side leg while pulling up on the side fender to fit the sport bar into the vehicle body.
- Repeat this procedure on the other side of the vehicle body.
- Insert a 1 1/2" x 1/4" machine screw into the hole closest to the front of the vehicle in the underside of the rear wheel well, through the vehicle body and into the end of the sport bar.
- Tighten the screw with a Phillips screwdriver. Do not over-tighten.
- Repeat this procedure on the other side of the vehicle body.

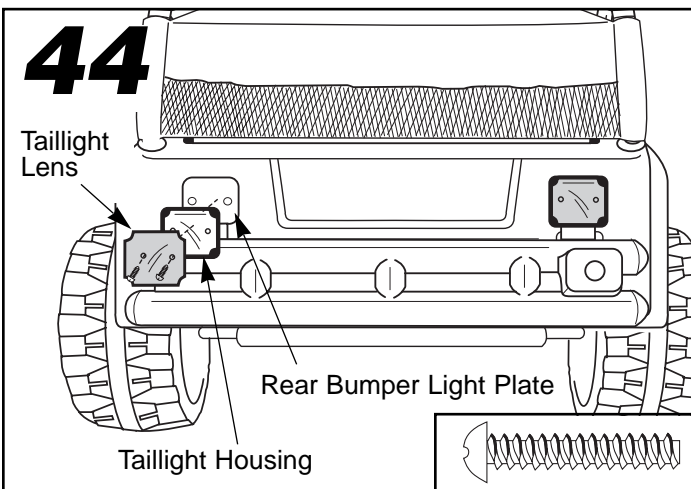
# Assembly

## 43



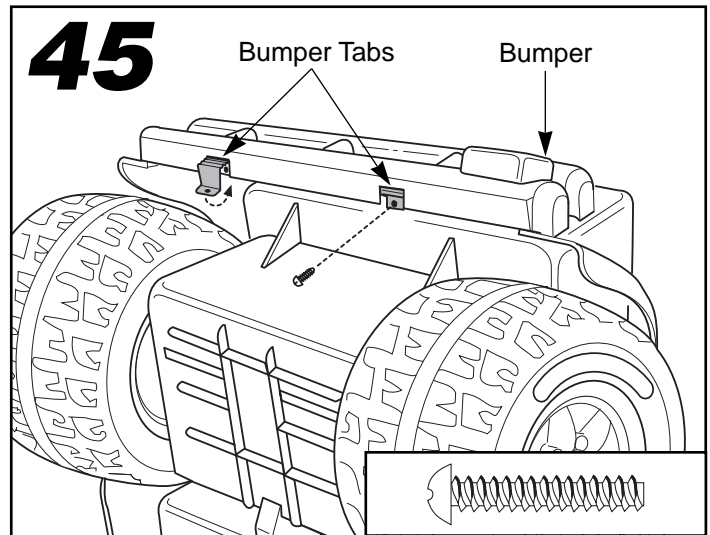
- Face the rear of the vehicle.
- Fit the lower rail on the rear bumper over the rear bumper support.
- Gently bend the tabs at the bottom of the rear bumper under the vehicle.

## 44



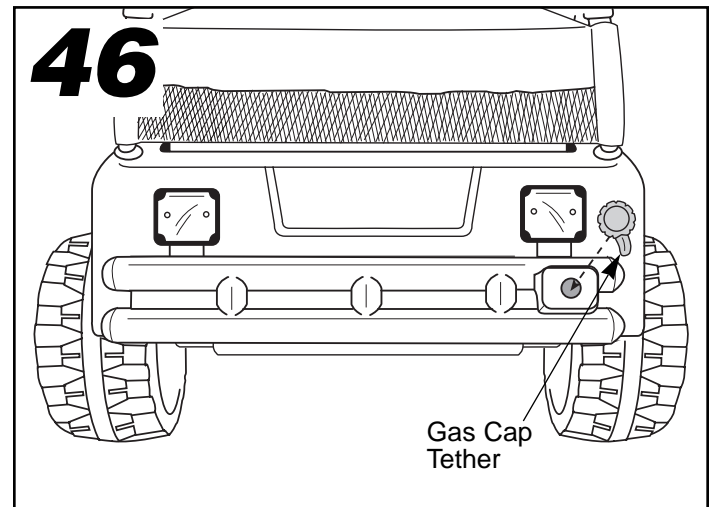
- Using safety scissors, remove the taillight lenses and the taillight housings from the plastic connectors. Dispose of the plastic connectors.
- Face the rear of the vehicle.
- Fit a taillight lens inside a taillight housing.
- Position the taillight housing with lens against a rear bumper light plate with the screw holes aligned.
- Insert two #8 x 1" screws through the taillight lens, rear bumper light plate housing and into the vehicle body.
- Tighten the screws with a Phillips screwdriver. Do not over-tighten.
- Repeat this procedure to attach the other taillight.

## 45



- Lift the rear of the vehicle.
- Align the holes in the bumper tabs with the screw pegs on the underside of the vehicle body.
- Insert two #8 x 1" screws through the bumper tabs and into the vehicle body.
- Tighten the screws with a Phillips screwdriver. Do not over-tighten.
- Lower the rear of the vehicle.

## 46



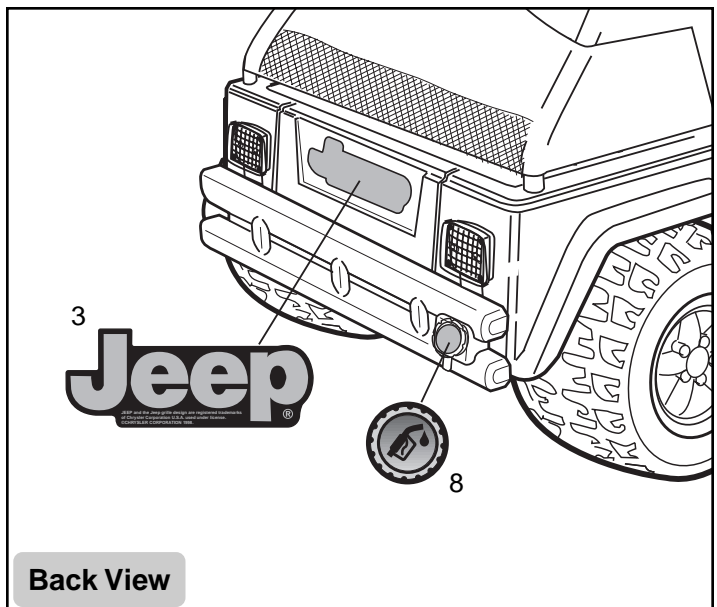
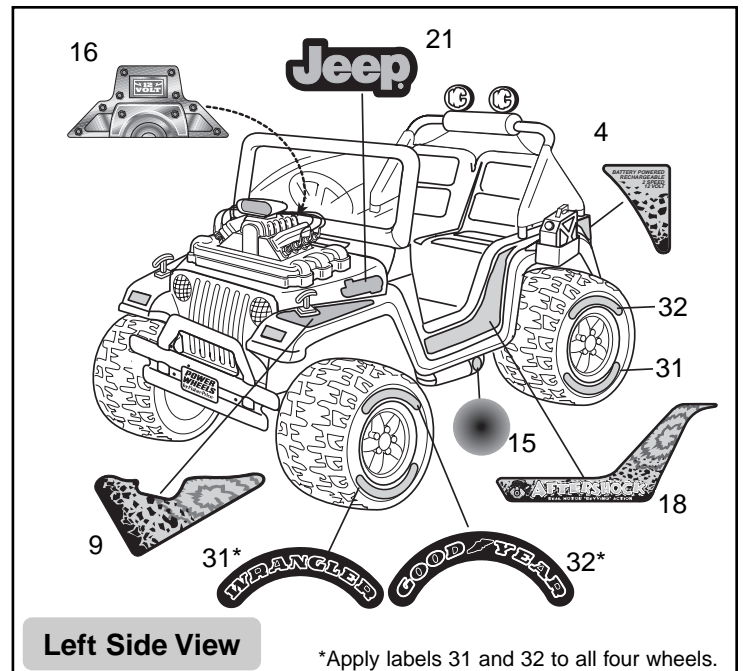
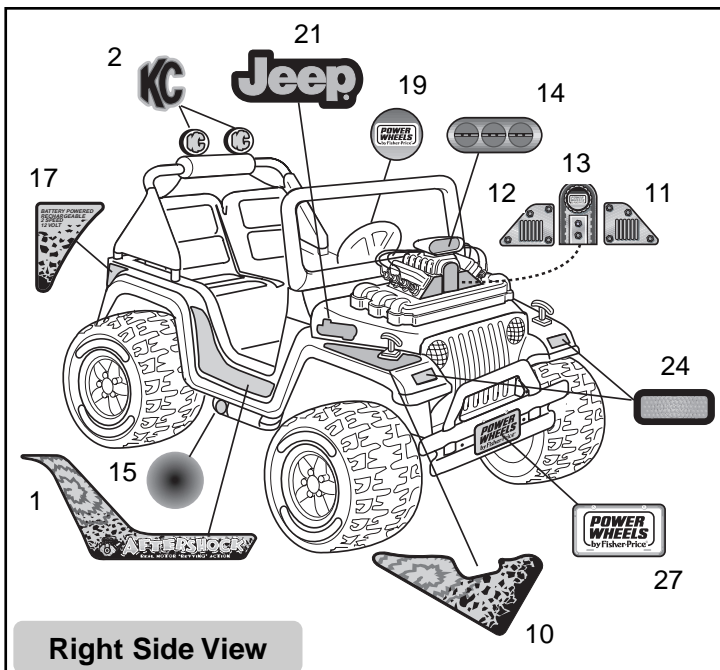
- Position the gas cap so that its tether points down.
- Snap the gas cap into the opening on the rear bumper.

# G

## Label Decoration

Proper label application will help to keep the labels looking their best! When applying labels, keep the following guidelines in mind:

- Wash your hands before applying the labels.
- Before applying the labels, wipe the surface of the vehicle with a clean, dry cloth to remove any dust or oils.
- Place the labels exactly as shown in the illustrations.
- For best results, avoid repositioning a label once it has been applied to the vehicle.
- **After applying a label, rub the label firmly with a clean, dry cloth to make sure the label is adhered to your vehicle. Start at the center of a label, and smooth towards the outer edges to remove air bubbles.**



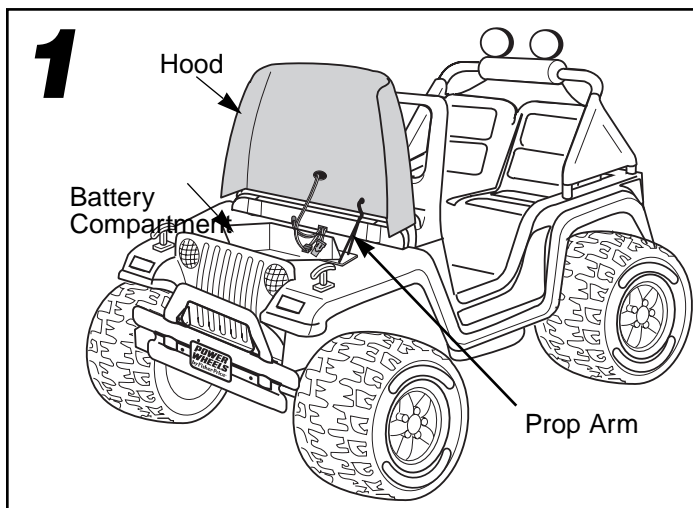
**One-time assembly is now complete.**

### IMPORTANT NOTES:

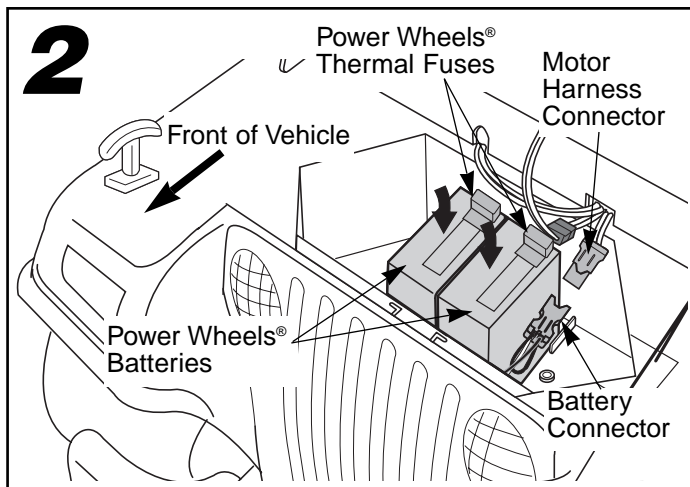
- Please carefully read the owner's information in this manual and teach your child about proper vehicle operation and rules for safe driving before allowing operation of this vehicle.
- For safety reasons, your vehicle has been pre-set so that it will only operate at low speed (2½ mph, maximum). Make sure that your child can safely operate this vehicle at low speed before adjusting the vehicle to run at high speed (5 mph, maximum).

**To disconnect high speed lock-out, please see page 28.**

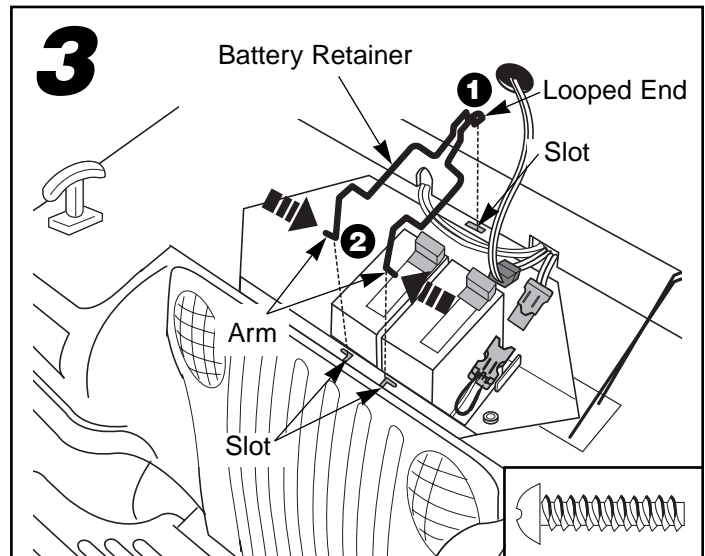
**Important Note:** Use only Power Wheels® batteries with Power Wheels® thermal fuses installed. Use of any other batteries or fuses will damage your vehicle. Make sure that you charge the batteries for at least 18 hours using the enclosed Power Wheels® 12 volt charger before operating your vehicle for the first time. Charge the batteries for at least 14 hours after each use of the vehicle. Never charge the batteries longer than 30 hours. Failure to follow these instructions may damage your batteries and will void your warranty. It is easier to install the batteries before assembling the hood to your vehicle. If you have already assembled the hood to your vehicle, you may want to remove it to install the batteries.



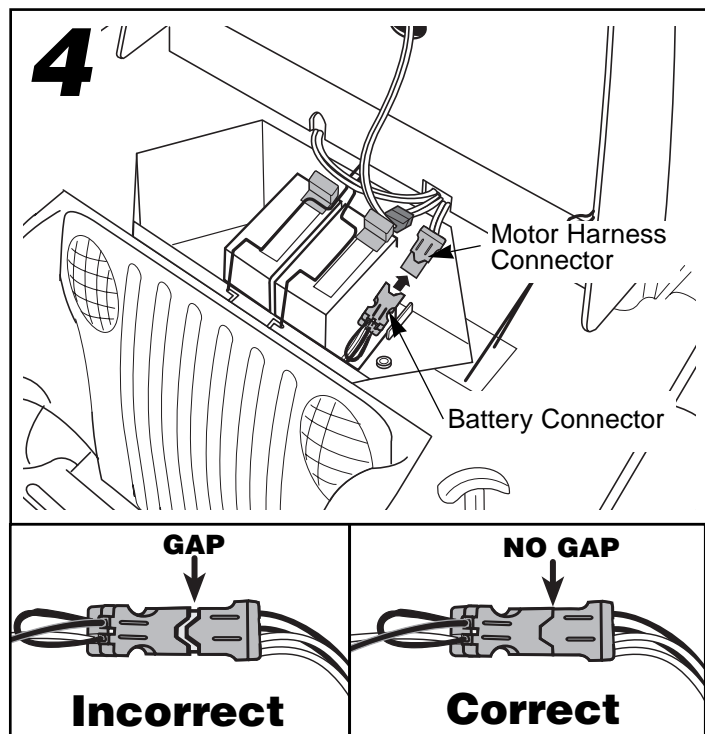
- Lift the hood to access the battery compartment.
- Raise the prop arm.
- Fit the end of the prop arm into the hole in the hood to hold the hood open.



- Place both Power Wheels® batteries upright in the battery compartment. **Make sure the battery connectors extend toward the front of the vehicle.**
- Make sure a Power Wheels® thermal fuse is installed in each of the batteries and that the battery connectors are snapped together.



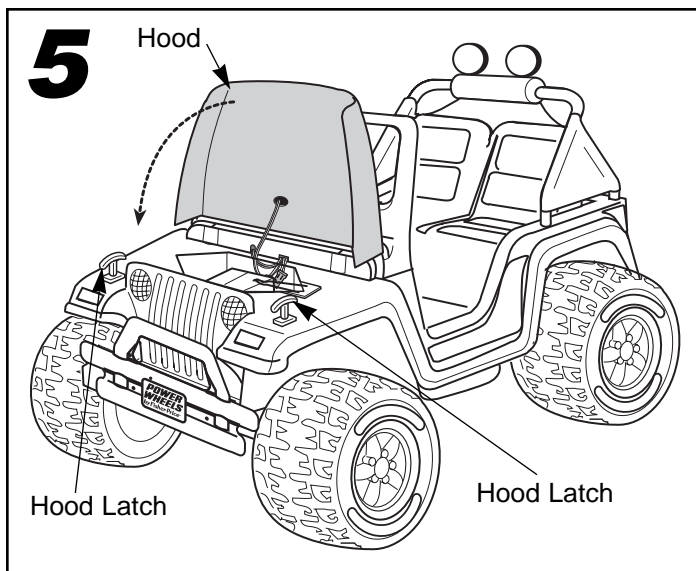
- Insert the looped end of battery retainer (1) into the slot in the vehicle body near the dash.
- Squeeze the battery retainer arms (2) and fit them into the slots in the vehicle body.



- Plug the battery connector and motor harness connectors together. Push firmly to make sure the two connectors are completely joined.



## Battery Installation



- Lower the prop arm and close the hood. Make sure the prop arm rests across the top of the batteries when in the lowered position.
- Lift the hood latches and fit the latch pegs onto the hood to secure it.

## I

## Battery Care and Disposal

### Disposal



- Your Power Wheels® batteries are sealed lead-acid batteries. They must be recycled or disposed of in an environmentally sound manner.
- Do not dispose of a lead-acid battery in your regular, household trash. The incineration, landfilling or mixing of sealed lead-acid batteries with household trash is prohibited by law in most areas.
- Return the batteries to a federal or state approved lead-acid battery recycler, such as a Power Wheels® authorized service center, or a local seller of automotive batteries. In Minnesota, call 1-800-348-0751 if further disposal information is required. Contact your local waste management officials for other information regarding the environmentally sound collection, recycling and disposal of lead-acid batteries.

## Battery Care and Disposal

### Care

**If a battery leak develops**, avoid contact with the leaking acid and place the damaged battery in a plastic bag. See information below for proper disposal.

**If acid comes in contact with skin or eyes**, flush with cool water for at least 15 minutes and call a physician.

**If acid is internally ingested**, give water, milk of magnesia or egg whites immediately. Never give emetics or induce vomiting. Call a physician.

- Charge new batteries for at least 18 hours before first use. Never charge the batteries longer than 30 hours. Overcharging or undercharging the batteries may shorten battery life and decrease vehicle running time.
- After the first charge, recharge the batteries for at least 14 hours after each use. Never charge the batteries longer than 30 hours. Charge the batteries after each use, regardless of how long the vehicle was used.
- The batteries must be upright while charging.
- Do not allow the batteries to run down completely before charging.
- Charge the batteries before storing the vehicle.
- Charge the batteries at least once per month, even if the vehicle has not been used.
- Leaving the batteries in a discharged condition will ruin them.
- Do not store the batteries in temperatures above 75° F or below -10° F.
- When you purchase replacement Power Wheels® batteries, you should buy them as a set. Using an older battery with a new battery may result in poor performance and may cause permanent damage to both batteries. Remember to charge new batteries for at least 18 hours before first use.
- Prevent the batteries from moving freely inside the battery compartment. Always use the battery retainer to secure the batteries in the battery compartment.
- Examine the batteries, charger and their connectors for excessive wear or damage each time you charge the batteries. If damage is detected, do not use the charger or the batteries until you have replaced the worn or damaged part.
- Attempting to charge the batteries without thermal fuses will not damage the batteries, but they will not charge.



## WARNING

- Adult supervision is required. Children do not have the judgement necessary to avoid many accidents. Be sure that children operating this vehicle can do so safely and that they are supervised at all times.
- Never use near steps, driveways, steep inclines, roadways, alleys, swimming pool areas or other bodies of water.
- Always wear shoes or sneakers when operating this vehicle.
- Never allow more than two riders; one driver and one passenger.
- The riders should sit on the seat when the vehicle is in operation.

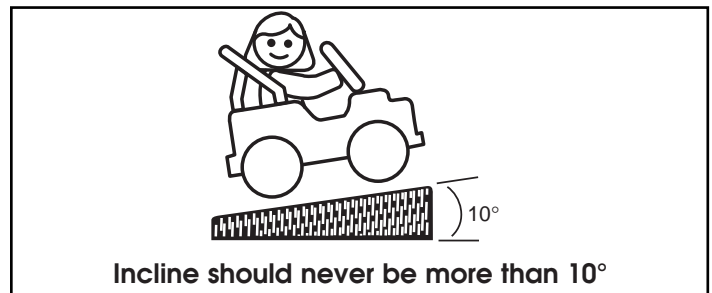
### Teach Safety Rules to Children

While children can quickly develop the skill necessary to drive this vehicle, it is important to remember that their judgement skills are still very immature. Unsupervised driving by children can lead to serious injury. Before children use this vehicle, an adult should carefully evaluate the driving area as well as the children's skill level and ability to drive this vehicle safely. Children are not always able to recognize or anticipate hazards, even when they have been taught about them. There is no acceptable substitute for adult supervision.

Teach appropriate safety rules to your child before allowing operation of this vehicle. These rules should also be reviewed with neighborhood children or other playmates who want to drive this vehicle.

1. Do not allow any child to drive the vehicle in the street or near moving (motorized) vehicles.
2. Do not allow any child to drive near bodies of water (such as pools or creeks), obstructions (such as furniture, low tree limbs or play equipment), or drop-offs (such as stairs or decks).
3. Do not allow any child to drive the vehicle in the dark. A child could encounter unexpected obstacles and have an accident. Operate the vehicle only in the daytime or in a well-lit area.
4. Teach your child to avoid driving on steep inclines or slopes. Restrict your child's driving to areas that are fairly level with gentle inclines or slopes of no more than 10°.
  - While driving down a steep slope, the vehicle may gain unsafe speed, even if the foot pedal is released to stop.

- While driving across a steep slope, the vehicle may tilt and tip over. The wheels could lose traction, causing the vehicle to slip.
- While driving up a steep incline, the motor may stop and the vehicle could roll backwards at an unsafe speed.



5. Do not operate this vehicle with more than two riders; one driver and one passenger seated in the seating area. A child who is not sitting on the seat or who is standing on the vehicle could fall off, cause a tip-over or block the driver's view. A child could be seriously injured.
6. Always wear shoes or sneakers when operating this vehicle.
7. Never put anything near any moving parts. Rotating parts such as motors, gear boxes and wheels can snag fingers, hair, etc., causing serious injury. Do not allow operation of the vehicle when it is on its side or in an upside-down position.
8. Do not operate the vehicle near flammable vapors (gasoline, paint thinner, acetone, liquid wax, etc.). The vehicle's electrical switches, like most electrical switches, emit an internal spark when first turned on or turned off. The presence of flammable liquids or vapors could cause an explosion or a fire. Keep all flammable products in tightly sealed containers and away from the vehicle.
9. Do not allow a child to operate the vehicle without proper adult supervision. To prevent unsupervised use of the vehicle, disconnect the motor harness from the batteries when the vehicle is not in use.

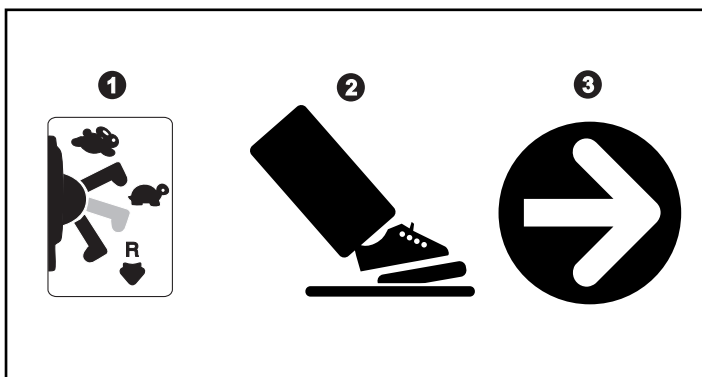
#### To disconnect the motor harness connector and battery connector:


- Raise the hood to access the batteries.
- Pull firmly to unplug the motor harness connector from the battery connector.
- Lower the hood and fasten the hood latches.

### Beginner Use - Low Speed Drive

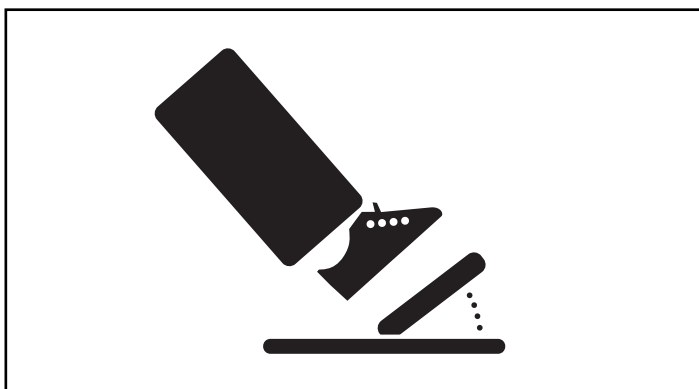
As assembled, your vehicle is ready to roll in low speed (2½ mph, maximum). It has been pre-set so it will only operate in low speed. After your child has mastered the basic skills of driving and understands the rules for safe driving, it's time to disconnect the high speed lock-out to allow the vehicle to operate in low or high speed.

**See the instructions on page 28 to disconnect the high speed lock-out.**



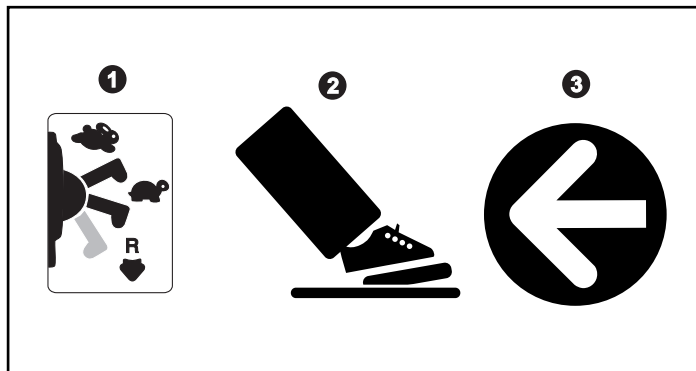
- Make sure the shifter is in the low speed (  ) position ①.
- Press down on the foot pedal ②. The vehicle goes forward at a maximum of 2½ mph ③.
- Help your child practice steering to learn how far and how quickly to turn the steering wheel when driving forward in low speed.

### To Stop

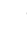


- Your vehicle has a patented electronic braking system that automatically stops the vehicle when your child's foot is lifted from the pedal.
- Make sure your child is comfortable with steering the vehicle and automatically knows how to stop.


### To Back Up



**Please Note: To avoid damaging the motors and gears, stop the vehicle before shifting from forward to reverse (  ).**

- Once your child is completely comfortable with operating the vehicle in the forward mode, introduce reverse (  ).

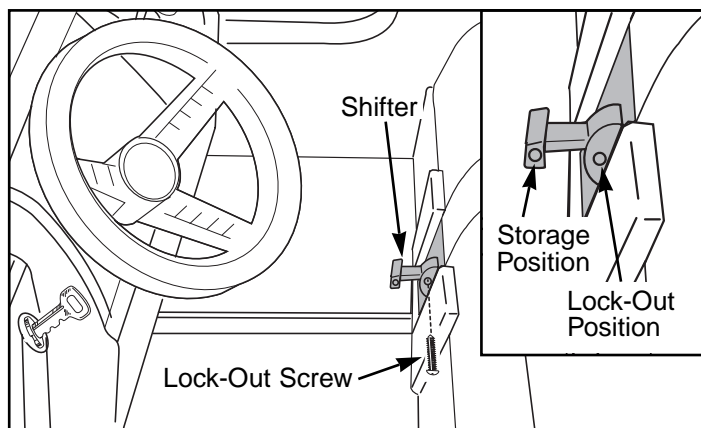
#### To Back Up

- Make sure the shifter is in the reverse (  ) position ①.
- Press down on the foot pedal ②. The vehicle will go in reverse at a maximum of 2½ mph ③. The vehicle is designed to operate in low speed only in reverse.
- Help your child practice steering to learn how far and how quickly to turn the steering wheel when driving in reverse.

## How to Operate Your Vehicle

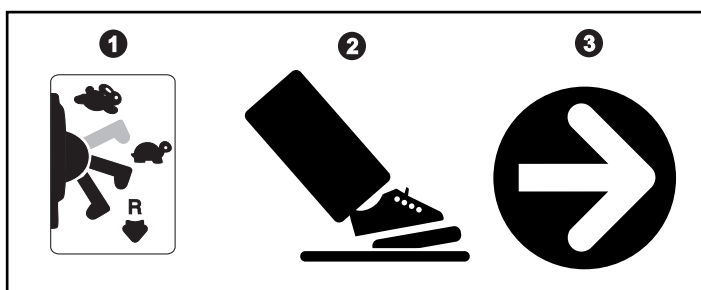
### Advanced Use - High Speed Drive

#### Disconnecting High Speed Lock-Out



- Before you disconnect the high speed lock-out, make sure your child knows how to steer, how to start and stop the vehicle and knows the rules for safe driving. When the high speed lock-out is disconnected, the vehicle can be driven forward in low speed (2½ mph, maximum) or high speed (5 mph, maximum).
- Make sure the shifter is in the reverse (♥) position.
- Loosen the screw in the shifter box using a Phillips screwdriver.
- Remove the screw.
- Insert the lock-out screw into the hole in the shifter handle to keep it for future use. It can be re-inserted into the shifter box to lock-out high speed.

#### To Drive



**Please Note: To avoid damaging the motors and gears, stop the vehicle before shifting between low and high speed.**

- Make sure the shifter is in the high speed (R) position ①.
- Press down on the foot pedal ②. The vehicle goes forward at a maximum of 5 mph ③.
- Help your child practice steering to learn how far and how quickly to turn the steering wheel when driving forward in high speed.
- Make sure your child is comfortable with steering the vehicle and automatically knows how to stop.
- Stopping in high speed is the same as stopping in low speed. The vehicle automatically stops when your child's foot is lifted from the pedal.

## How to Operate Your Vehicle

### Time for a Tune-Up!

- To activate pretend engine idle sounds and vibrating action, press the engine switch on the dash to the ON position.
- Press the foot pedal half way to the floor to rev the pretend engine without driving forward.
- To drive forward with pretend engine sound, press the foot pedal completely to the floor.
- To quiet the pretend engine idle and smooth the ride, your child can tighten the adjuster bolt on the engine platform.
- Or, for louder pretend engine idle and increased vibration, loosen the adjuster bolt in the engine platform.
- Press the engine switch on the dash to OFF to turn the pretend engine off.
- To complete the tune-up, pop the spark plug wires off the pretend engine. Twist the spark plugs for more action sounds!

## L

### Caring For Your Vehicle

- Check all screws, retainers, and their protective coverings regularly and tighten as required. Check plastic parts on a regular basis for cracks or broken pieces.
- During snowy or rainy weather, the vehicle should be stored inside or under a protective cover. Remember to charge the batteries at least once per month while your vehicle is not in regular use.
- Avoid operating the vehicle in wet or snowy conditions and do not spray the vehicle with a hose. Do not wash the vehicle with soap and water. Water or moisture in the motors or electrical switches can cause them to corrode and could cause switch or motor failure.
- Avoid operating the vehicle on sand, loose dirt or gravel. Sand, loose dirt or gravel in the motors or electrical switches can cause them to jam and could cause switch or motor failure.
- The vehicle can be wiped down with a soft, dry cloth. For a shiny finish, you can wipe plastic parts with a non-wax furniture polish applied to a soft-cloth. Do not use automotive wax. Do not use soap and water or spray the vehicle with a hose.
- To ensure that your vehicle stays in good operating order, we recommend that you periodically have your vehicle checked by a Power Wheels® authorized service center. See page 33 for the list of authorized service centers or call **1-800-348-0751** for the location of the authorized service center nearest you.

# M

## Problems and Solutions Guide


**IMPORTANT!** If you experience a problem with your vehicle, first check the Problems and Solutions Guide below. If you still experience a problem, please contact Power Wheels® Consumer Affairs, toll-free at **1-800-348-0751** between 8 AM and 6 PM (EST) Monday through Friday. Or, contact your local Power Wheels® authorized service center. For the location nearest you, please refer to the Authorized Service Center list beginning on page 33.

Problem	Possible Cause	Solution
Vehicle does not run	Undercharged batteries	Charge the batteries. New batteries should have been charged for at least 18 hours before using the vehicle for the first time. After first-time use, recharge the batteries for at least 14 hours after each use. Never charge the batteries longer than 30 hours.
		Check all connectors. Make sure the battery connector is tightly plugged into the charger connector, and that the charger is plugged into the wall.
		Make sure power flow to the wall outlet is "ON".
	Charger is not working	There is no sure way to tell if your charger is working unless you have a volt meter. If you suspect there is a problem with your charger, contact your local Power Wheels® authorized service center. They can test your charger for you.
	Wrong type or improperly installed fuse	Make sure that the batteries have properly installed Power Wheels® thermal fuses before charging. For best performance, do not use substitute parts.
	Tripped thermal fuse	A thermal fuse may "trip" and shut down operation of the vehicle if the vehicle is overloaded or the driving conditions too severe. The fuse will automatically reset itself after approximately 25 seconds, allowing the vehicle to resume normal operation. To avoid repeated automatic shutdowns, do not overload the vehicle by exceeding the 130 lbs maximum weight capacity or by towing anything behind the vehicle. Avoid severe driving conditions, such as driving up very steep hills or running into fixed objects, which can cause the wheels to stop spinning while power is still being supplied to the motors. If a thermal fuse continually trips, contact your local Power Wheels® authorized service center.
	Loose wire or loose connectors	Check all wires and connectors. Make sure the battery connector is tightly plugged into the motor harness connector, and that there are no loose wires around the motors.
	Dead batteries	If your batteries are old or if you have not followed Battery Care instructions, your batteries may be dead. If you are unsure whether or not the batteries are dead, you can have them tested at your local Power Wheels® authorized service center.
Electrical switch damage	The electrical switches can become corroded due to exposure to water or moisture, or can jam due to loose dirt, sand or gravel. Contact your local Power Wheels® authorized service center for diagnosis and repair.	
Motor damage	Contact your local Power Wheels® authorized service center for diagnosis and repair.	

# Problems and Solutions Guide

Problem	Possible Cause	Solution
Vehicle was running but suddenly stopped	Loose wire or loose connectors	Check all wires and connectors. Make sure the battery connector is tightly plugged into the motor harness connector, and that there are no loose wires around the motors.
	Wrong type or improperly installed fuse	Make sure that each battery has a properly installed Power Wheels® thermal fuse before charging. For best performance, do not use substitute parts.
	Tripped thermal fuse	A thermal fuse may "trip" and shut down operation of the vehicle if the vehicle is overloaded or the driving conditions too severe. The fuse will automatically reset itself after approximately 25 seconds, allowing the vehicle to resume normal operation. To avoid repeated automatic shutdowns, do not overload the vehicle by exceeding the 130 lbs maximum weight capacity or by towing anything behind the vehicle. Avoid severe driving conditions, such as driving up very steep hills or running into fixed objects, which can cause the wheels to stop spinning while power is still being supplied to the motors. If a thermal fuse continually trips, contact your local Power Wheels® authorized service center.
Short run time (Less than 1 - 3 hours per charge)	Undercharged batteries	Charge the batteries. New batteries should have been charged for at least 18 hours before using the vehicle for the first time. After first-time use, recharge the batteries for at least 14 hours after each use. Never charge the batteries longer than 30 hours.
		Check all wires and connectors. Make sure the battery connector is tightly plugged into the charger connector, and that the charger is plugged into the wall.
		Make sure power flow to the wall outlet is "ON".
	Overcharged batteries	Do not charge the batteries longer than 30 hours. If you suspect that your batteries are damaged as a result of overcharging, contact your local Power Wheels® authorized service center. They can test your batteries for you.
	Batteries are old and will not accept full charge	Even with proper care, a rechargeable battery does not last forever. Average battery life is 1 to 3 years depending on vehicle use and use conditions. For best performance, do not use substitute parts.
	Wrong type or improperly installed fuse	Make sure that the batteries have properly installed Power Wheels® thermal fuses before charging. For best performance, do not use substitute parts.
	Tripped thermal fuse	A thermal fuse may "trip" and shut down operation of the vehicle if the vehicle is overloaded or the driving conditions too severe. The fuse will automatically reset itself after approximately 25 seconds, allowing the vehicle to resume normal operation. To avoid repeated automatic shutdowns, do not overload the vehicle by exceeding the 130 lbs maximum weight capacity or by towing anything behind the vehicle. Avoid severe driving conditions, such as driving up very steep hills or running into fixed objects, which can cause the wheels to stop spinning while power is still being supplied to the motors. If a thermal fuse continually trips, contact your local Power Wheels® authorized service center.

# Problems and Solutions Guide

Problem	Possible Cause	Solution
Vehicle runs sluggishly	Undercharged batteries	Charge the batteries. New batteries should have been charged for at least 18 hours before using the vehicle for the first time. After first-time use, recharge the batteries for at least 14 hours after each use. Never charge the batteries longer than 30 hours.
		Check all connectors. Make sure the battery connector is tightly plugged into the charger connector, and that the charger is plugged into the wall.
		Make sure power flow to the wall outlet is "ON".
	Batteries need charging	After approximately 3 hours of constant use, the batteries need charging.
	Wrong type or improperly installed fuses	Make sure that the batteries have properly installed Power Wheels® thermal fuses installed before charging. For best performance, do not use substitute parts.
	Batteries are old and will not accept full charge	Even with proper care, rechargeable batteries do not last forever. Average battery life is 1 to 3 years depending on the vehicle use and use conditions. Replace the battery with a Power Wheels® 6 volt battery. For best performance, do not use substitute parts.
	Vehicle is overloaded	Make sure you do not overload the vehicle by allowing more than 2 riders at one time, by exceeding the 130 lbs. maximum weight capacity, or by towing objects behind the vehicle. If the vehicle is overloaded, the fuses in the batteries may "trip" and automatically shut down operation of the vehicle for approximately 25 seconds. Reduce the load on the vehicle to prevent repeated automatic shutdowns.
Driving conditions are too stressful	Use only on gentle inclines or slopes of 10° or less. If the driving conditions are too stressful the fuses in the batteries may "trip" and automatically shut down operation of the vehicle for approximately 25 seconds. Adjust the driving conditions to prevent repeated automatic shutdowns.	
Vehicle runs in low speed, but does not run in high speed  (Please Note: The vehicle is designed to operate in low speed only in reverse (  ).)	High speed lock-out not disconnected	The vehicle was pre-set to run only in low speed. To allow the vehicle to run in low and high speed, you must disconnect the High Speed Lock-Out. <b>Follow the instructions on page 28 to disconnect the High Speed Lock-Out.</b>
When the foot pedal is pressed only one rear wheel spins	Operation of vehicle in low speed	It is possible that only one rear wheel may spin when both rear wheels are raised off the ground and the vehicle is in low speed. This does not necessarily indicate a problem. Check for proper operation of the drive system by raising the rear wheels off the ground and pressing the foot pedal. If only one rear wheel spins, carefully press your hand on the spinning wheel to slow it down. The other rear wheel should begin to spin. If the other rear wheel does not begin to spin, there may be a problem with the vehicle. Contact your local Power Wheels® authorized service center for diagnosis and repair.
Sometimes the vehicle doesn't run, but other times it does	Loose wire or connector	Check all wires around the motors and all connectors to make sure they are tight.
	Motor or electrical switch damage	Contact your local Power Wheels® authorized service center for diagnosis and repair.

# Problems and Solutions Guide

Problem	Possible Cause	Solution
When the foot pedal is pressed, the vehicle won't run without a push	Loose wire or connector	Check all wires around the motors and all connectors to make sure they are tight.
	"Dead Spot" on motor	Contact your local Power Wheels® authorized service center for diagnosis and repair.
Thermal fuses constantly "trip", but the vehicle is not over-loaded nor the driving conditions too severe	Damaged fuse(s)	Contact your local Power Wheels® authorized service Center for diagnosis and repair.
	Child is switching speeds or between forward and reverse without stopping.	Teach your child to stop the vehicle before switching between speeds or switching direction.
Loud clacking or grinding noise from a motor-gearbox	Broken gears	Contact your local Power Wheels® authorized service center for diagnosis and repair.
Pretend engine doesn't make sounds or vibrate	Engine switch OFF	Make sure the engine switch on the dash is in the ON position.
	Wrong type or improperly installed batteries	The pretend engine requires four size "C" alkaline batteries. Make sure four size "C" alkaline batteries have been properly installed in the battery compartment.
	Dead batteries	Replace the batteries with four, fresh, size "C" alkaline batteries. Never leave dead batteries in the battery compartment.
	Loose wires or connectors	Check all connections. Make sure the wire connections at the back of the engine switch plate are secure and that the battery wire harness connectors (located under the hood and engine housing) are completely joined.
Charger gets warm during use	It is normal for some chargers to get warm during use and is not reason for concern.	No action required.  If your charger does not get warm during use, it does not mean that it is not working properly.
Batteries make a sizzling or gurgling noise when charging	It is normal for some batteries to make noise and swell slightly while charging and is not reason for concern.	No action required.  If your batteries do not make noise or swell slightly during charging, it does not mean that they are not accepting the charge.

If, after reviewing the Problems and Solutions Guide, the vehicle still fails to operate, please contact your nearest authorized service center (see page 33) or contact Power Wheels® Consumer Affairs toll-free at **1-800-348-0751**.

**Helpful Hint!** For faster service when calling Consumer Affairs, completely charge the batteries before calling and have the following available by the phone:

- vehicle,
- vehicle model number (see sticker in battery compartment),
- vehicle production run number (see sticker in battery compartment),
- Phillips screwdriver, slotted screwdriver and needle-nose pliers with plastic or rubber handles,
- an extra Power Wheels® thermal fuse is helpful.



# N

## Statement of Limited Warranty

**90-day limited warranty for the Power Wheels® Ride-On Toy Vehicle**  
**A 6-month battery warranty applying only to those 6 volt batteries which were included by Power Wheels®, with the Power Wheels® vehicle when originally purchased.**

This limited warranty covers the Power Wheels® ride-on vehicle and the 6 volt batteries, purchased from Power Wheels® by the original purchaser, against defects in materials and workmanship.

This warranty covers normal use and does not cover the Power Wheels® vehicle or batteries if damaged by unreasonable use, neglect, accident, abuse, misuse, improper service or other causes not arising out of defects in materials or workmanship. Evidence of any attempt at consumer repair will void this warranty. This warranty does

not cover, and is intended to exclude, any liability on the part of Power Wheels®, whether under this warranty or implied by law or any indirect or consequential damages for breach of warranty. Some states do not allow the exclusion or limitation so this limitation may not apply to you.

Should you need service or assistance with your vehicle during the warranty period, **DO NOT RETURN THE VEHICLE TO THE STORE.** Power Wheels® has provided a nationwide network of authorized service centers. Please refer to the list in this manual. Power Wheels® is continually expanding our Authorized Service Center Network. If there is not an authorized service center in your area, please call Consumer Affairs for information, **1-800-348-0751.**

This warranty gives you specific legal rights, and you may also have other rights which may vary from state to state. **PLEASE SAVE YOUR ORIGINAL SALES RECEIPT.**

# O

## Authorized Service Centers

**We are continually expanding our Authorized Service Center Network. Please check this listing for the Authorized Service Center nearest you. If there is not one in your area, please call Power Wheels® Consumer Affairs at 1-800-348-0751.**

### ALABAMA

**BIRMINGHAM** - Frigid Service & Sales, 701 Graymont Ave. North, 35203, (205) 323-5831  
**BIRMINGHAM** - Frigid Service & Sales, 1861 Centerpoint Rd., 35215, (205) 853-3952  
**BIRMINGHAM (HOMEWOOD)** - D & R Appliance Company, 154 West Valley Ave., 35209, (205) 942-3959  
**DECATUR** - Peddler II, 1000 B Bellline Road, 35603, (205) 350-1044  
**DOTHAN** - Bill's Appliance Service, 208 Bic Road, P.O. Box 1192, 36303, (334) 792-7746  
**DOUGLAS** - Brown Hardware, Highway 75, 35964, (205) 593-6086  
**HUNTSVILLE** - C & G Appliance, 307 Jordan Lane, 35805, (205) 837-4551  
**MOBILE** - Foster's Appliance Repair, 1660 South Bellline Highway, 36693, (334) 666-2670  
**MONTGOMERY** - Acme Service Co., 2603 Highland Ave., 36107, (334) 264-2456

### ALASKA

**ANCHORAGE** - Ken's Electronics Service, 360 E. International, Ste. 8, 99518, (907) 562-3443

### ARIZONA

**GLENDALE** - Elliott Electric Appliance Service, 6242 N. 43rd Avenue, 85301, (602) 937-2613  
**SCOTTSDALE** - Elliott Electric, 7515 E. McDowell Road, 85257, (602) 946-7487  
**TUCSON** - Arizona Small Appliance Service Co., 5033 E 5th Street, 85711, (520) 325-3988

### ARKANSAS

**FT. SMITH** - Bromley Appliance Service, 614 North 10th Street, 72901, (501) 782-9646  
**HOT SPRINGS**, The Battery Center, 400 Airport Road, 71913, (501) 624-7144  
**JONESBORO** - Best Sewing & Vacuum & Repair, 2235 S. Caraway Road, 72401, (501) 935-4739, (800) 844-4739  
**LITTLE ROCK** - C & W Tool Repair, 1303 W. Markham, 72201, (501) 374-1911  
**MENA** - Bearcat Starter & Alt., 902 Highway 71 South, 71953, (501) 394-0320  
**ROGERS** - Kressel's Vacuum & Repair, 115 North 5th Street, 72756, (501) 636-7894  
**STUTT GART** - Davis Lumber Company, 301 East Michigan, 72160, (501) 673-3601

### CALIFORNIA

**ANDERSON** - Hardware Express/ Do It Best, 2681 Balls Ferry Road, 95007, (916) 365-3783  
**BAKERSFIELD** - Southwest TV, 6300 White Lane, Suite B, 93309, (805) 397-4940  
**CONCORD** - California Electric Service Center, 1170-G Burnett Avenue, 94520, (510) 827-1011

**COVINA** - California Electric Service Center, 612 Shoppers Lane, 91723, (818) 915-4935  
**DUBLIN** - California Electric Service, 8947 San Ramon Road, 94568, (510) 551-3390  
**FONTANA** - California Electric Service Center, 9794 Sierra Avenue, 92335, (909) 355-2500  
**FORT JONES** - Ft. Jones Frontier Hardware, 11911 Main Street, 96032, (916) 468-2266  
**FRESNO** - Valley Small Appliance, 4005 E. Ashlan Avenue, 93726, (209) 224-5530  
**FULLERTON** - California Electric Service Center, 1208 E. Ash Avenue, 92631-5020, (714) 870-0900  
**LOS ALAMITOS** - California Electric Service Center, 11284 Los Alamitos Blvd., 90720, (562) 430-2668  
**MERCED** - Moosehead Electronics, 920 W. 18th Street, 95340, (209) 723-4712  
**MISSION VIEJO** - California Electric Service Center, 23725 Via Fabricante, Unit B, 92691, (714) 586-9440  
**OAKLAND** - California Electric Service Center, 1139 E. 12th Street, 94606, (510) 834-1050  
**OXNARD** - Tiny's Inc., The Clean-up Store, 1237 Saviers Road, 93033, (805) 487-9401, (800) 845-3223  
**PASADENA** - California Electric Service Center, 2594 E. Colorado Blvd., 91107, (818) 792-3194  
**SACRAMENTO** - California Electric Service Center, 1821 "Q" Street, 95814, (916) 443-5711  
**SALINAS** - SRS Hobbies, 1038A North Davis Road, 93907, (408) 424-4044  
**SAN CARLOS** - California Electric Service Center, 990 Industrial Road, Suite 102, 94070, (415) 593-6696  
**SAN DIEGO** - California Electric Service Center, 3430 El Cajon Blvd., 92104, (619) 283-6488  
**SAN FRANCISCO** - California Electric Service Center, 1090 Bryant Street, 94103, (415) 431-8494  
**SAN JOSE** - California Electric Service Center, 481 So. Bascom, 95126, (408) 295-1723  
**SANTA ANA** - California Electric Service Center, 2025 South Main Street, 92707, (714) 641-0529  
**SANTA ROSA** - Hardisty's Inc., 710 Farmers Lane, 95405, (707) 545-0535  
**STOCKTON** - California Electronics, 929 North Yosemite Street, 95203, (209) 466-5432  
**TEMECULA** - California Electric Service Center, 41715 Enterprise Circle North, Suite 101, 92590, (909) 695-5445  
**VAN NUYS** - California Electric Service Center, 14753 Oxnard Blvd., 91411, (818) 997-8855

**WEST LOS ANGELES** - California Electric Service Center, 2314 S. Westwood Blvd., 90064, (310) 475-2532  
**YUCAIPA** - Aire-Rite Heating & A/C, 34724 Yucaipa Blvd., 92399, (909) 797-2788

### COLORADO

**COLORADO SPRINGS** - Nelson Appliance Repair, Inc., 1220 E. Fillmore, 80907, (719) 635-1928, (800) 291-8010  
**DENVER** - Appliance Service, 4262 Lowell Blvd., 80211, (303) 458-1109, (800) 631-0941 (CO, WY only)  
**DENVER (ENGLEWOOD)** - Appliance Service, 3932 S. Broadway, 80110, (303) 781-1227, (800) 553-1864  
**GRAND JUNCTION** - V & L Appliance Service, 591 25 Road Suite A6, 81506, (970) 243-3360

### CONNECTICUT

**HARTFORD** - Hartford Element & Appliance Service, 1500 Albany Avenue, 06112, (860) 246-7424, (800) 787-7977  
**NEW HAVEN (HAMDEN)** - New Haven Appliance Service Center, 1627 Dixwell Avenue, 06514, (203) 288-6229  
**SHELTON** - Jeff's Appliance, Inc., 500A Howe Avenue, 06484, (203) 924-8997  
**STAMFORD** - Appliance Servicenter of Stamford, 15 Cedar Heights Road, 06905, (203) 322-7656  
**WATERBURY** - P.-J. Appliance Repair, 935 South Main Street, 06706, (203) 757-1014  
**DELAWARE**  
**DOVER** - Del-Mar Appliance of Delaware, 230 South Governors Avenue, 19904, (302) 674-2414, (800) 858-3424  
**WILMINGTON** - Lyons Hardware, Inc., 2021 Kirkwood Highway, 19805, (302) 995-1260

### FLORIDA

**ATLANTIC BEACH** - First Coast Repair, 25 Seminole Road, 32233, (904) 246-4616  
**CAPE CORAL** - Family Hardware/Do-It Express, 622 SE 4th Terrace, 33904, (941) 542-6365  
**DELRAY** - Mister Fix It, 209 S.E. 2nd Avenue, 33483, (561) 243-9999  
**GAINESVILLE** - Authorized Appliance Service Co., 2614 S.W. 34th Street, 32608, (352) 375-3886  
**HIALEAH** - S-O Service Co., 925 Hialeah Drive, 33010, (305) 887-6275  
**HOLLY HILL** - Ormond Element, 1668 Ridgewood Avenue, 32117, (904) 677-3497  
**JACKSONVILLE** - Authorized Appliance Service Co., 6120-5 Powers Avenue, 32217, (904) 737-5312  
**LAKELAND** - Electric Shaver & Small Appliance, 4243 S. Florida Avenue, 33813, (941) 644-4690  
**MIAMI** - Goodman's Sales & Service, 13081 SW 133 Court, 33186, (305) 278-8822  
**NORTH FORT MYERS** - Family Hardware, 13817 N. Cleveland Ave., 33903, (941) 995-6161

# Authorized Service Centers

**NORTH PALM BEACH** - Appliance Doctors, 450 Northlake Blvd., 33408, (407) 845-0377, FAX (407) 845-0378  
**OCALA**, Vacuums, Inc., 3535 S.E. Maricamp Road, #103, 34471, (904) 694-2247  
**OCALA**, Vacuums, Inc., 2461-A SW 27th Avenue, 34474, (352) 854-2247  
**ORLANDO** - Pine Hills Appliance Svc. Co., 6100-4 W. Colonial Drive, 32808, (407) 299-1271  
**ORLANDO** - Southern Electric Co., 510 N. Parramore Avenue, 32801, (407) 841-8824, (800) 940-8824  
**PANAMA CITY**, Callaway Vacuum & Sewing, 221 N. Tyndall Prkwy., 32404, (904) 763-6333  
**PENSACOLA** - Foster's Appliance Repair, 3836 N. Davis Highway, 32503, (904) 432-8853  
**POMPANO BEACH** - Authorized Appliance Service Co., 2171 N. Dixie Highway, 33060, (954) 941-2038  
**POMPANO BEACH** - Philips Consumer Electronics, 2099 W. Atlantic Blvd., 33069, (954) 978-0467  
**PORT ST. LUCIE** - Hoppe's Authorized Vac & Appliance, 6735 S. Federal Way, 34592, (561) 464-0102  
**ROCKLEDGE** - Neelco Do-It Center, 400 Barton Blvd., 32955, (407) 639-1400  
**SARASOTA** - Sunray Small Appliances, 8371 N. Tamiami, 34243, (941) 358-9999, (800) 895-5655  
**SEBRING** - Sebring Do-It Center, 305 U.S. 27 North, 33870, (941) 385-2785  
**SPRING HILL** - Crowder Bros Hardware, 5350 Spring Hill Dr., 34606, (352) 686-4743  
**ST. PETERSBURG** - Keystone Electric, 4604 Central Avenue, 33711, (813) 321-1124  
**STUART** - Appliance Doctors, 3166 S.E. Dixie Highway, 34997, (561) 287-6437  
**SUNRISE** - Muller Appliance Service, 2620 N. University Drive, 33322, (954) 749-5460  
**TAMPA** - Authorized Appliance Service Co., Dibbs Plaza, 4119 Gunn Hwy., Unit 8, 33624, (813) 968-6638  
**VENICE** - Sunray South, 2143 South Tamiami Trail, 34293, (941) 493-1733  
**VERO BEACH** - Hoppe's Authorized Vac & Appliance, 1872 Commerce Avenue, 32960, (561) 562-4466  
**WEST PALM BEACH** - Satisfaction TV Video Service, Inc., 1980 S. Congress Avenue, 33406, (561) 439-3733

## GEORGIA

**ATLANTA** - Georgia Service Center, 5366 Buford Hwy., 30340, (770) 455-1716, (800) 455-1715  
**ATLANTA (MARIETTA)** - Philips Consumer Electronics, 200 N. Cobb Parkway, Bldg. #100, Suite 120, 30062, (770) 795-0085  
**AUGUSTA** - A & A Appliance Parts & Service, 1708 Walton Way, 30904, (706) 733-5163  
**BRUNSWICK** - Arco Hardware & Supply, 3711 Community Road, 31520, (912) 267-0771  
**COLUMBUS** - Burrell's National Appliance Service, 1728 Warm Springs Road, 31904, (706) 327-0523  
**LOGANVILLE** - Mtn. Mower Sales and Service, 6099C Hwy. 20, 30249, (770) 466-9111  
**SAVANNAH** - Hagins Appliance Service, 3 West Victory Drive, 31405, (912) 233-8372  
**TIFTON** - Western Auto, 354 S. Main St., 31794, (912) 382-5767  
**VALDOSTA** - Harry B. Anderson, Inc. Western Auto, 204 Central Avenue, 31601, (912) 242-5945

## HAWAII

**HONOLULU** - McCully Bicycle & Sporting Goods, 932 Hausten Street, 96826, (808) 946-1192  
**WAILUKU (MAUI)** - Tom's Appliance Sales & Service, 891 Eha Street, 96793, (808) 244-6278  
**WAIPAHU** - Waipahu Bicycle, 94-320 Depot Street, 96797, (808) 671-4091

## IDAHO

**BOISE** - Boise Appliance, 1503 Main Street, 83702, (208) 343-0102

## ILLINOIS

**CHAMPAIGN** - Appliance Parts & Service Center, 905 Francois, 61821, (217) 355-0220  
**CHICAGO (BERWYN)** - Brand Service Center, 6739 West Cermak, 60402, (708) 749-4315  
**CHICAGO (DOWNER'S GROVE)** - Authorized Appliance Service Co., 1644 W. Ogden Avenue, 60515, (630) 852-1550  
**CHICAGO (MORTON GROVE)** - Brand Service Center, Inc., 5618 Dempster Street, 60053, (847) 965-5900  
**DECATUR** - Rextx Battery of Decatur, Inc., 1330 East Eldorado, 62521, (217) 422-0281  
**JACKSONVILLE** - Rextx Battery Specialists, 847 South Main Street, 62650, (217) 245-2713  
**NASHVILLE** - Kesel Hardware, 173 West St. Louis, 62263, (618) 327-8957  
**NILES** - Household Appliance Sales & Serv., 7411 N. Milwaukee Ave., 60714, (847) 647-8250  
**PEORIA** - Brand Service Center, 6926-N North University Street, Tanglewood Center, 61614, (309) 691-7588  
**ROCKFORD** - Sun Appliance Sales & Service, 3112 N. Rockton Avenue, 61103, (815) 964-3866  
**SPRINGFIELD** - Bannon Electronics, 1224 N. Franklin, 62702, (217) 523-0313  
**WAUKEGAN** - Brand Service Center, 2850 Belvidere Road, 60085, (847) 244-5800

## INDIANA

**EVANSVILLE** - Electro Hygiene Co., 1614 South Kentucky, 47714, (812) 425-2671  
**FT. WAYNE** - Don's Harware, 5701 Coventry Lane, in the Village of Coventry, 46804, (219) 436-2278  
**FT. WAYNE** - Sun Appliance Service & Sales, 3523 N. Anthony Blvd., 46805, (219) 482-1702  
**INDIANAPOLIS** - Brand Service Center, 1827 N. Meridian Street, 46202, (317) 924-1386  
**INDIANAPOLIS** - Sullivan Hardware Do-It Center, 7021 N. Keystone, 46220, (317) 255-9230  
**NEW ALBANY** - Wells Hardware, Inc., 1011 Vincennes Street, 47150,

(812) 944-4523  
**SOUTH BEND** - Ray's TV and Appliance, 60717 US 31 South, 46614, (219) 291-1630  
**SOUTH BEND (OSCEOLA)** - AAA Appliance Service Co., 11868 Lincoln Way West, 46561, (219) 679-4981  
**TERRE HAUTE** - Corey Electronics, 1101 S. 8th Street, 47802, (812) 232-8786, (888) 232-8786

## IOWA

**BETTENDORF** - K & K True Value Hardware, 1818 Grant Street, 52722, (319) 359-4473  
**CEDAR RAPIDS** - Stalker Electric, Inc., 110 3rd Ave. SW, 52404, (319) 364-5646  
**DES MOINES** - Quality Appliance Repair Center, 1417 Walnut Street, 50309, (515) 288-0108  
**DUBUQUE** - Shaver's Plus, 1824 Central Avenue, 52001, (319) 556-4442  
**SIoux CITY** - Millard Television Inc., 1419 Hamilton Blvd., 51103, (712) 258-3435

## KANSAS

**COLBY** - Gavon's Electronics, 1870 South Range, 67701, (913) 462-6601  
**JUNCTION CITY** - R/C Hobbies, 115 W. 7th Street, 66441, (913) 238-1877  
**KANSAS CITY (OVERLAND PARK)** - Mar-Beck Appliance Service Co., 8471 West 95th Street, 66212, (913) 642-1557  
**WICHITA** - Alan Appliance Service, Inc., 1300 E. Central, 67214, (316) 262-7228, (800) 290-7228

## KENTUCKY

**GREENVILLE** - Malone Lumber Do-It Center, 204 W. Depot Street, 42345, (502) 338-3252  
**LEXINGTON** - Factory Electronics, 2422 Palumbo Drive, 40509, (606) 269-7341  
**LEXINGTON (VERSAILLES)** - Deaver's Hardware, 221 N. Main St., 40383, (606) 873-7396  
**LOUISVILLE** - Maury's Fluorescent & Appliance Service, 1521 Bardstown Road, 42025, (502) 456-1671  
**MADISONVILLE** - Kuester's Hardware, N. Main St., Martin Mall, 42431, (502) 825-2818  
**MT. WASHINGTON** - Mt. Washington Auto Supply, 520 N. Bardstown Rd., P.O. Box 316, 40047, (502) 538-4296  
**OWENSBORO** - Kuester's Hardware, 1210 Carter Road, 42301, (502) 685-4916  
**PADUCAH** - Hank Brothers True Value, 3101 Lone Oak Rd., 42003, (502) 554-4001

## LOUISIANA

**BATON ROUGE** - Home Appliance Service, Inc., 10781 Florida Blvd., 70815, (504) 272-7727  
**HAMMOND** - Battery Depot, 207 E. Thomas Street, 70401, (504) 542-4983  
**LAFAYETTE** - Cullen's Playland, 4498 Johnston Street, 70503, (318) 981-2929  
**LAKE CHARLES** - Capitol Schwinn Cyclery, 722 E. Prien Lake Road, 70605, (318) 474-9090  
**NEW ORLEANS (METAIRIE)** - Le Jouet, Inc., 1700 Airline Hwy., 70001, (504) 837-0533  
**SHREVEPORT** - Shreveport Shaver and Appliance, 9750 St. Vincent, Burt Kouns Ind. Loop, 71106, (318) 865-5088, (800) 349-7722

## MAINE

**BANGOR** - Adco Surgical Supply Co., 1292 Hammond St., 04401, (207) 942-5273  
**GREENE** - Brule's Auto Clinic & Sales, 968 Sawyer Road, 04236, (207) 375-4872  
**PORTLAND** - Colonial Electronics, Inc., 259 St. John Street, 04102, (207) 774-6666

## MARYLAND

**BALTIMORE (ELLCOTT CITY)** - Clark Do-It Center, 10325 Baltimore National Pk., 21042, (410) 313-8100  
**BALTIMORE (TOWSON)** - Duran Service Company, 8741 Mylander Lane, 21286, (410) 321-9033  
**BERLIN** - Myers Auto-Power Tool Rental Co., Inc., 10714 Ocean Gateway, 21811, (410) 641-3497  
**GAITHERSBURG** - Waters Appliance Service, 216 E. Diamond Avenue, 20877, (301) 258-7500, (800) 225-5009  
**SALISBURY** - Cycle and Sports Outlet, 2505 N. Salisbury Blvd., 21801, (410) 860-0400  
**TANEY TOWN** - MacHenry Services, 68 Frederick Street, 21787, (410) 756-6659, (800) 276-1301  
**WASHINGTON D.C. (BELTSVILLE)** - Philips Consumer Electronics, 10800 Rhode Island Avenue, 20705, (301) 595-5330, (800) 438-9647

## MASSACHUSETTS

**BOSTON (MEDFIELD)** - Wills Hardware, 5 Janes Avenue, 02052, (508) 359-4381  
**BOSTON (WALTHAM)** - Suburban Appliance Service Center, Inc., 271 Moody Street, 02154, (617) 893-6694  
**LOWELL** - Lowell Appliance Service Center, Inc., 564 Dutton Street, 01854, (508) 454-8731  
**MAYNARD** - Gramp's Garage, 16 Main Street, 01754, (508) 461-0463  
**QUINCY** - Appliance Service and Parts, Inc., 582 Washington Street, Route 3A, 02169, (617) 773-6656  
**SALEM** - Fix Master, Inc., 190 North Street, 01970, (508) 745-0004  
**SPRINGFIELD** - Utility Electric Service, Inc., 810 Main Street, 01101, (413) 781-1635

## MICHIGAN

**ALMONT** - Almont Hardware, 4545 Van Dyke, P.O. Box 511, 48003, (810) 798-8922  
**BAY CITY** - Bay Vac & Pedal, 805 Columbus Ave., 48708, (517) 892-7516  
**BRIGHTON** - Complete Battery Source, 8023 W. Grand River, 48116, (810) 220-1050  
**DEARBORN** - McNichols Electric Service, 1836 Grindley Park, 48124, (313) 563-7550

**DETROIT** - McNichols Electric Service, 13725 W. McNichols, 48235, (313) 342-6070, (800) 562-4226  
**DETROIT (ROYAL OAK)** - McNichols Electric Service, 4115 West 13 Mile Road, 48072, (810) 288-5135  
**FLINT (DAVISON)** - Gill-Roy's Hardware, 8405 East Davison, 48423, (810) 653-2288  
**FLINT (SWARTZ CREEK)** - Gill-Roy's Hardware, 9061 Miller Road, 48473, (810) 635-2020  
**GRAND RAPIDS** - Superior Appliance Service Co., 1050 Scribner Avenue, NW, 49504, (616) 459-3271  
**JACKSON** - Hammond Hardware, 1800 Francis St., P.O. Box 7, 49204, (517) 782-0704  
**KALAMAZOO** - Bill Coleman TV, 3938 S. Westnedge, 49008, (616) 344-1200  
**LANSING** - Rapid Appliance Service, Inc., 1454 E. Michigan Avenue, 48912, (517) 485-1320  
**MIDLAND** - Knopic's Do-It Center, 3128 Jefferson Ave., 48640, (517) 832-2774  
**PRUDENVILLE** - Ford's Do-It Center, 841 W. Houghton Lake Drive, 48651, (517) 366-7622  
**TRAVERSE CITY** - De Weese Hardware Inc., 1029 Carver Street, 49685, (616) 947-7670

## MINNESOTA

**BRainerd** - Diggz Motor Sports, 4299 Hwy. 371 North, 56401, (218) 828-8088  
**DULUTH** - All Brand Mr. Fixit, 16 West First Street, 55802, (218)-722-1499  
**DULUTH** - Mr. Fix it - Metro Appl. Service Center, Inc., 2020 W. Superior St., 55806, (218) 722-9063  
**MINNEAPOLIS (ST. LOUIS PARK)** - Barness, 4631 Excelsior Blvd., 55416, (612) 926-0521  
**ROCHESTER** - Robert's Electronics, 611 6th Ave. NW, 55901, (507) 282-2140  
**ST. PAUL** - Barness, 1573 University Avenue, 55104, (612) 646-3109

## MISSISSIPPI

**HATTIESBURG** - Champion Cycle & Fitness, 104 South 37th Avenue, 39401, (601) 264-8233  
**IUKA** - W. H. Fairless Hardware Co., Inc., 117 Fulton Street, 38852, (601) 423-2233, (800) 797-9457  
**JACKSON (RIDGELAND)** - Propeller Service, 291 Hwy. 51, Suite D6, 39157, (601) 856-3191  
**MERIDIAN** - Broadmor Home Center, 2420 Old North Hills Street, P.O. Box 3280, 39305, (601) 483-7373  
**NATCHEZ** - Western Auto, 180 Seargent Prentiss Dr., 39120, (601) 445-4186  
**STARKVILLE** - East Mississippi Lumber Co., 300 Russell Street, 39759, (601) 323-3554

## MISSOURI

**INDEPENDENCE** - Mar-Beck Appliance Service Co., 4476 South Noland Road, 64055, (816) 478-1889  
**KANSAS CITY** - Mar-Beck Appliance Service Co., 303 W. 79th Street, 64114, (816) 523-6931  
**KANSAS CITY (GLADSTONE)** - Mar-Beck Appliance Serv. Co., 6559 N. Oak Traffic Way, 64118, (816) 436-9191  
**POPLAR BLUFF** - Mills Iron & Supply, 1919 S. Westwood Blvd., 63901, (573) 785-2628  
**SPRINGFIELD** - Mar-Beck Appliance Service Co., 2704 S. Glenstone Avenue, 65804, (417) 882-3070  
**ST. LOUIS** - Authorized Appliance, Inc., 2355 Hampton Avenue, 63139, (314) 647-4250  
**ST. LOUIS** - Brand Service Center, Inc., 1624 S. Broadway, 63104, (314) 231-0751

## MONTANA

**BILLINGS** - Radio Equipment Company, 1120 16th Street West, 59104, (406) 256-9778, (800) 711-4024

## NEBRASKA

**GRAND ISLAND** - Mundt's Small Appliance & Vacuum Repair, 1822 W. Northfront Street, 68803, (308) 382-5084  
**LINCOLN** - CB Small Appliance, 432 South 11th Street, 68508, (402) 475-2546  
**LINCOLN** - Sperry TV, 1115 North 47th St., 68503, (402) 464-9181  
**LINCOLN** - Sperry TV, 2013 Highway 2, 68502, (402) 464-9181  
**NORTH PLATTE** - Sperry TV, 1855 West A Street, Westfield Shopping Center, 69010, (308) 532-5200  
**OMAHA** - Myers Electric Co., 7571 Dodge Street, 68114, (402) 393-8388, (800) 234-1414  
**OMAHA** - Myers Electric Co., Inc., 1458 South 16th Street, 68108, (402) 342-7710

## NEVADA

**LAS VEGAS** - Burney's Commercial Service, Inc., 4480 Aldebaran Avenue, 89103, (702) 736-0006  
**MINDEN** - Valley Home & Sport Center, 1587 Highway 395, 89423, (702) 782-5111

## NEW HAMPSHIRE

## NEW JERSEY

**EAST RUTHERFORD** - Philips Consumer Electronics, 180 Manor Road, 07073, (201) 935-0600  
**HAWTHORNE** - Ter Kuile, Inc., 206 Diamond Bridge Avenue, 07506, (201) 423-1142  
**HIGHLAND PARK** - Dash Electronics, 10 N. 2nd Street, 08904, (908) 247-5124  
**HOWELL** - South Jersey TV Service, Inc., 4232 Rt. 9 South, 07731, (908) 363-5550, (800) 244-3094  
**OCEAN** - South Jersey TV Service, Inc., 1719 Route 35, 07712, (908) 531-3565  
**SICKLERVILLE** - Sicklerville Hardware, 540 Williamstown Road, 08081, (609) 728-3800  
**TOMS RIVER** - South Jersey TV Service, Inc., Stella Towne Center, 1258 Route 166, 08753, (908) 505-1771  
**TOTOWA** - Philips Consumer Electronics, 140 J Commerce Way, 07512, (201) 890-0586  
**TRENTON** - Tattersall, Inc., 309 N. Willow Street, 08618, (609) 393-4293

# Authorized Service Centers

## NEW MEXICO

**ALBUQUERQUE** - Appliance Service Center, 5505 Silver Avenue, SE, 87108, (505) 265-7774

**CLOVIS** - Burns Hardware, 1511 N. Prince, 88101, (505) 769-2528

## NEW YORK

**BAYSHORE, L.I.** - Turnpike Appliance of Suffolk, Inc., 1253 Sunrise Highway, 11706, (516) 665-8311

**BINGHAMTON** - Hardware Fare DO-IT Center, 1139 Front Street, Nimmonsburg Square, 13905, (607) 722-9202

**BUFFALO** - Buffalo Appliance Repair Center, Inc., 20 Pannell Street, 14214, (716) 833-4677

**BUFFALO (WILLIAMSVILLE)** - Hector's Hardware, 876 Maple Road, 14221, (716) 688-4488

**COMMACK, L.I.** - Turnpike Appliance Service, 6181 Jericho Turnpike, 11725, (516) 499-3355

**ELMIRA** - Capabilities, Inc., 1149 Sullivan Street, 14901, (607) 734-2006

**GREAT NECK** - Turnpike Appliance Service Center, 45 Northern Boulevard, 11021, (516) 466-0644

**HUDSON** - Sweeps Vacuum & Repair Center, Inc., 705 Warren Street, 12534, (518) 828-5457

**PEEKSKILL** - Clark Appliance & Vacuum Service Corp., 950 Main Street, 10566, (914) 737-1368, (800) 765-0649

**POUGHKEEPSIE** - S & S Appliance Sales & Service, 390 Violet Avenue, 12601, (914) 452-6122

**RICHMOND HILL** - Lockdoctor Locksmiths, 104-37 Atlantic Ave., 11418 (718) 441-6242

**ROCHESTER** - Benfante Appliance Service, 1286 Mt. Hope Avenue, 14620, (716) 473-8765

**SEA CLIFF, L.I.** - Shabra Electronics, 400 Glen Cove Avenue, 11579, (516) 671-2218

**STATEN ISLAND** - Springstead Lumber 6232, 4255 Amboy Road, 10308, (718) 984-0300

**SYRACUSE** - County Wide Appliance, 1001 N. State Street, 13208, (315) 479-5253, (800) 333-3243

**TUCKAHOE** - Authorized Appliance of Westchester, 26 Columbus Ave., 10707, (914) 961-8011

**UTICA** - Oneida Bicycle & Sports Center, 2107 Whitesboro St., 13502, (315) 724-6084

**WARWICK** - Wadson Home Center, 60 Forester Avenue, 10990, (914) 986-2215, (800) 982-2215 (NY only)

**W. HEMPSTEAD L.I.** - Turnpike Appliance Service, 86 Hempstead Turnpike, 11552, (516) 486-5700, (800) 628-3911

## NORTH CAROLINA

**ASHEVILLE** - Skyland Hardware, 3179 Sweeten Creek Road, 28803, (704) 684-0308

**CHARLOTTE** - Authorized Appliance Service, 1020 Tuckaseegee Road, 28208, (704) 377-4501, (800) 532-6127

**CLINTON** - Danny's Service Center, 119 Vance Street, 28328, (910) 592-3200

**ELIZABETH CITY** - Coastal Office Equipment Co., 501 East Church Street, 27909, (919) 335-2927

**GREENSBORO** - Greensboro Shaver & Appliance, 430 North Eugene Street, 27401, (910) 273-1065

**HICKORY** - First Flight Bicycles, 2435 N. Center Street, 28601, (704) 324-9350

**RALEIGH** - Authorized Appliance Service Center, 800 North Person Street, 27604, (919) 834-3476

**STATESVILLE** - First Flight Bicycles, 216 S. Center St., 28677, (704) 878-9683

**WILMINGTON** - American Tool & Tractor, 102 Eastwood Road, Ste. D-9, 28403, (910) 392-5784

**WINSTON-SALEM** - Authorized Appliance Servicenter, 904 South Marshall Street, 27117, (910) 725-5396

## NORTH DAKOTA

**FARGO** - General Parts & Supply Co., 10 S. 18th Street, 58103, (701) 235-4161, (800) 279-9987

## OHIO

**AKRON** - Advanced Appliance Service Company, 73 W. Exchange Street, 44308, (330) 762-8968

**CANTON** - Appliance Parts Co., 1267 Dueber Avenue, SW, 44706, (330) 453-8077

**CINCINNATI** - H&S Service, 458 Cincinnati Batavia Pike, 45244, (513) 528-0808

**CINCINNATI (SILVERTON)** - Brand Service Center, Inc., 6944 Plainfield Road, 45236, (513) 793-1170

**CLEVELAND** - Majors Appliance, 5845 Turney Road, 44125, (216) 663-4650

**CLEVELAND (MENTOR)** - Lake Erie Lawn & Garden, 7833 Munson Rd., 44060, (216) 257-9000

**CLEVELAND (PARMA)** - Majors Appliance, 5785 Ridge Road, 44129, (216) 884-7200

**CLEVELAND (WESTLAKE)** - Philips Consumer Electronics, 24090 Detroit Avenue, 44145, (216) 899-2040, (800) 331-7037

**DAYTON** - Layer Electric, 603 South Ludlow Street, 45402, (937) 224-9608

**DAYTON (NEW CARLISLE)** - Ballweg Do-It Center, 3300 South Dayton, Lakeview Rd., 45344, (937) 849-1306

**LIMA** - Crouse Lumber Do-It Center, 333 E. Market Street, 45801, (419) 229-9070, (800) 826-9663

**NEW BOSTON** - True Value Toy Town, Rt. 52 & 139, 45662, (614) 456-5704

**STRYKER** - Short's Hardware, 115 N. Depot Street, 43557, (419) 682-4231

**TOLEDO** - Broadway Sales and Appliance Repair, 1621 Broadway, 43609, (419) 241-9731, (800) 436-5415

**YOUNGSTOWN** - O'Connor's, 3224 Market Street, 44507, (330) 782-4705

## OKLAHOMA

**OKLAHOMA CITY** - Brand Service Center, 538 N. Pennsylvania Avenue, 73107, (405) 235-0583

**TULSA** - H.L. Moss, Inc., 1714 E. 15th Street, 74104, (918) 744-1305, (800) 248-5948

## OREGON

**PORTLAND** - Appliance Repair Central, 3203 N. E. Sandy Blvd., 97232, (503) 234-7339, (800) 588-7339

## PENNSYLVANIA

**ALTOONA** - Frye's Sweeper & Sewing Center, Inc., 1400 Valley View Boulevard, 16602, (814) 943-5001, (800) 640-1308

**HARRISBURG** - C.A. Juillard, Inc., 2301 North Seventh Street, 17110, (717) 233-3488, (800) 633-3488

**JOHNSTOWN** - Cambria True Value Hardware, West Hills Square, Goucher Street, 15905, (814) 255-4752

**KINGSTON** - Vac-Way Appliance & Service, 595 Market Street, 18704, (717) 288-4508

**LITTLESTOWN** - Machinery Services, 830 West King Street, 17340, (717) 359-5051

**MOSCOW** - Vac-Way Appliance & Service, RR #6 Box 6237, 18444, (717) 842-4668

**ORANGEVILLE** - Hess Do-It Center & Market, Route 487, Box 4 M, 17859, (717) 683-5162

**PHILADELPHIA** - Appliance Care/Service Corp., 6407 Rising Sun Ave., 19111, (215) 725-3112

**PHILADELPHIA (COLLINGDALE)** - J.F. Kenney Electric, 920 MacDade Boulevard, 19023, (610) 534-7373

**PITTSBURGH** - Ferry Electric Service Co., 7498 McKnight Road, 15237, (412) 364-3403

**PITTSBURGH** - Ferry Electric Service Co., 140 Clairton Blvd., 15236, (412) 653-6004

**READING** - Electric Repair Co., 502-504 North 9th Street, 19604, (610) 376-5444, (800) 422-8171 (PA only)

**SCRANTON** - Vac-Way Appliance and Service, 601 Cedar Avenue, 18505, (717) 343-1121

**SHAMOKIN DAM** - Willard Battery Outlet, 138 S. Old Trail, 17876, (717) 743-5383

**TROY** - Hoover Hardware, 9 Canton, 16947, (800) 251-2156, (717) 297-3445

**WASHINGTON** - Murphy Family Inc., 585 East National Pike, 15301, (412) 225-0324

**WILKES-BARRE** - Walter Hardware DO-IT Center, 57 N. Welles Street, 18702, (717) 823-1406

**YORK** - Parcel Plus, 2549 E. Market Street, York Market Place, 17402, (717) 757-1875

## PUERTO RICO

**GATINEAU** - Les Equipements Brabant & Fils, 776B Blvd. Maloney, J8P 1G6, (819) 663-2526

**HATILLO** - Tropical Parts Service, P.O. Box 1335, Road 130 KM 8.5, 00659, (787) 898-6474

**MAYAGUEZ** - Cardona Appliance Service, 8 San Vicente Sreet, 00680, (787) 832-8366

**MAYAGUEZ** - Melendez Home Appliance Repair, Calle Post 319 Sur, 00680, (787) 832-5225

**PONCE** - Ferreteria Vivian, Centro Comercial, Los Caobos #7, 00731, (787) 840-0677

**PUERTO NUEVO** - Buckeye Service, 1013 Jesus T. Pinero Avenue, 00920, (787) 782-6175

## RHODE ISLAND

**PROVIDENCE** - Marshall Electric Co., 200 Broad Street, 02903, (401) 331-4482

## SOUTH CAROLINA

**CHARLESTON HEIGHTS** - Dorchester Electric Service, 3575 Dorchester Avenue, 29405, (803) 747-5221

**COLUMBIA** - Authorized Appliance Servicenter, 1811 Taylor Street, 29202, (803) 254-8414

**DARLINGTON** - Hobbies and More, 1570 South Main Street, 29532, (803) 393-0355, FAX (803) 393-8171

**GREENWOOD** - Bikes & Boards & Mopeds, 203A Montague Avenue, 29646, (864) 229-2453

**SENECA** - Seneca Micronics, 110 East North First, 29678, (864) 882-6593

**SPARTANBURG** - Boiling Springs Hardware, 3124 Boiling Springs Rd, 29303, (864) 578-1852

**VARNVILLE** - P&S Small Engine & Variety Shop, 105 Carolina Avenue, West, 29944, (803) 943-9141

## TENNESSEE

**CHATTANOOGA** - Light Electric, 732 East 11th Street, 37403, (615) 267-9224

**KNOXVILLE** - Appliance & Electric Service Company, 4816-M Kingston Pike, 37919, (423) 588-5395, (800) 585-5395

**KNOXVILLE** - Authorized Appliance Service Center, 1206 North Central Street, 37917, (423) 524-3376

**MEMPHIS** - Camp Electric Co., 647 Madison Avenue, 38103, (901) 527-7543, (800) 238-7345

**NASHVILLE** - Webb's Appliance Service Center, Inc., 1519 Church Street, 37203, (615) 329-4079, (800) 899-4079

## TEXAS

**ABILENE** - Metro Small Appliance Service Co., 141 S. Clyde, 79605, (915) 672-1853

**AMARILLO** - Reid's Appliance Service, Inc., 906 Georgia, 79102, (806) 373-8812

**ANTHONY** - Villarreal & Sons Elec., 512 S. Third Street, 79821, (915) 886-3362

**AUSTIN** - Harrell Supply and Service, Inc., 5435 Burnet Road, 78756, (512) 451-6464, (800) 332-7250 (TX only)

**AUSTIN** - Harrell Supply and Service, Inc., 1409 West Olton, 78704, (512) 442-5966

**AUSTIN (ROUND ROCK)** - Harrell Supply, 9079 Interstate Highway 35, 78664, (512) 388-0866

**CORPUS CHRISTI** - Brand Appliance & Microwave, 2751 South Staples, 78404, (512) 854-1851

**DALLAS** - Pearsol Appliance Co., 3127 Main Street, 75226, (214) 939-0930

**DALLAS** - All Type Sales and Service Co., Inc., 2835 Irving Blvd., 75207, (214) 638-1170, (800) 717-1170

**FT. WORTH** - Ft. Worth Shaver and Appliance Center, 1012 West 7th Street, 76102, (817) 335-9970

**HOUSTON** - Brand Service Center, 5727 Richmond Avenue, 77057, (713) 782-8910

**HOUSTON** - Brand Service Center, 1970 FM 1960, 77090, (713) 537-7795

**LAREDO** - Rubio Electric, 1719 San Bernardo, 78040, (210) 722-3908

**LONGVIEW** - Toys and Things, 918 NW Loop 281, 75604, (903) 759-3939

**LUBBOCK** - Minter's, 4409 50th Street, 79414, (806) 799-3170

**LUFKIN** - STS Audio and Video, 1505 South First Street, 75901, (409) 639-4529

**MC ALLEN** - All-In-One Repair Shop, 2313 Lark Avenue, 78504, (210) 682-8858

**MIDLAND** - Midland Tool Specialty, 918 South Main, 79701, (915) 682-4647, (800) 499-0755

**PASADENA** - Larry's TV Service, 3520 Fairmont Parkway, 77504, (713) 998-0122, (800) 244-0281

**ROMA** - True Value Hardware, 1004 E. Highway 83, (210) 849-1322

**SAN ANTONIO** - Brand Service Center, 7065 San Pedro Avenue, 78216, (210) 344-8577

**SEYMOUR** - Western Auto, 211 N. Main Street, 76308, (817) 888-3980

**TEMPLE** - Master Tech Repairs, 2819 West Avenue North, 76504, (817) 773-8991

**VICTORIA** - Tom's Video Service, 211 East Anauqua, 77901, (512) 576-0664, (800) 433-0664

**WICHITA FALLS** - Burke's Appliance Service, 2410 10th Street, 76309, (817) 723-6211

## UTAH

**OREM** - The Mending Shed, 1735 South State Street, 84058, (801) 225-8012, (800) 339-9297

**SALT LAKE CITY** - Appliance Service Center, Inc., 210 East 6th South, 84111, (801) 328-9703

## VERMONT

**RUTLAND** - Appliance Service Center Ltd., 152 Woodstock Avenue, 05701, (802) 773-8917

## VIRGINIA

**FREDERICKSBURG** - Logan Electric Service, Inc., 98 Industrial Drive, 22408, (540) 898-8873

**HARRISONBURG (PENN LAIRD)** - J.L. Maintenance & Repair, Inc., Route 2, Box 308, 22846, (540) 289-9844

**NEWPORT NEWS** - Commonwealth Electric Shaver Sales & Service, Inc., 10105 Jefferson Ave., 23605, (757) 595-6712

**NORFOLK** - Commonwealth Electric Shaver Sales & Service, Inc., 6612 E. Virginia Beach Blvd., 23502, (804) 461-4475

**ROANOKE** - Commonwealth Shaver & Appliance Service, 5524 Williamson Road, NW, 24012, (540) 366-6038

**SOUTH BOSTON** - South Boston True Value, 307 Broad Street, 24592, (804) 572-6666

**VIENNA** - Appliance Fix-It, 8455 Tyco Road, 22182, (703) 893-1234

**WINCHESTER** - Battery Mart of Winchester, Inc., 1 Battery Dr., 22601, (703) 655-0065

**WOODBRIDGE** - Baker's Appliance, 13314 Occoquan Road, 22191, (703) 490-5605

## WASHINGTON

**SEATTLE** - Ajax Electric, 2911 First Avenue South, 98134, (206) 622-9945

**SEATTLE (BELLEVUE)** - Action Small Appliance Service, 1500 145th Place, SE, 98007, (206) 643-9806

**SPOKANE** - SPARCO, West 45 2nd Avenue, 99204, (509) 624-8965

**SPOKANE** - SPARCO, N. 1119 Pines Rd., 99206, (509) 922-9666

## WEST VIRGINIA

**BECKLEY** - Jerry's Detectors, Vacuum & Appl. Svc., 411 Second Street, 25801, (304) 253-3521

**CHARLESTON** - Sneed's Vacuum & Sewing Center, 2614 7th Avenue, 25312, (304) 744-3670, (800) 245-8048 (WV only)

**HARRISVILLE** - Western Auto, 1107 E. Main St., 26362, (304) 643-2226

**HUNTINGTON** - Mike's Appliance and Service, 212 20th Street, 25703, (304) 522-0737

**MARTINSBURG** - Battery Mart, 1161-3 Winchester Avenue, 25401, (304) 267-7033, (800) 464-7918

**WHEELING** - Fast Service Center, 1058 Main Street, 26003, (304) 232-5561 (800) 874-4090

## WISCONSIN

**APPLETON** - G/Tech Electric Tool & Housewares Service, 600 W. College Ave., 54911, (414) 739-6064, (800) 400-6064

**GREENBAY** - Kastle Carts, Inc., 2301 N. Irwin Ave., 54313, (414) 465-6121

**LACROSSE** - Paul's Shaver Service, 1224 Caledonia Street, 54603, (608) 782-6291

**MADISON (MONONA)** - Kiefer's Shaver and Appliance, 4511 Monona Drive, 53716, (608) 221-3322

**MAUMETTE** - Della Do-It Center, W 1536 Highway 41, 54143, (715) 732-1768

**MILWAUKEE** - Brand Appliance Repair, Inc., 3707 North 92nd Street, 53222, (414) 461-0440

**MILWAUKEE** - Brand Appliance Repair, Inc., 6000 W. Oklahoma Street, 53219, (414) 541-4340



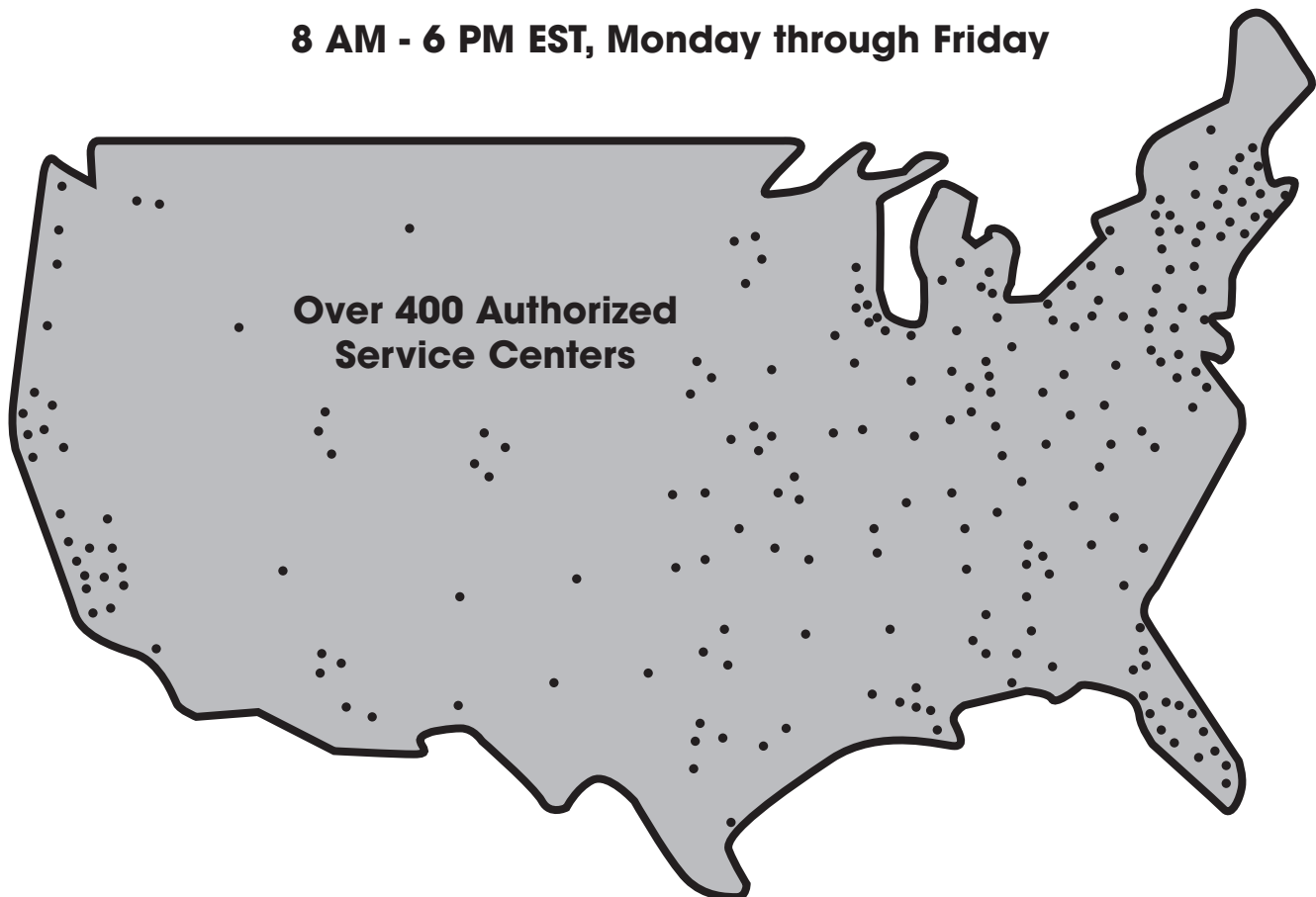
## Do Not Return Your Vehicle to the Store

If you are missing parts or need assistance, please call us toll-free:

**Power Wheels Consumer Affairs**

**1-800-348-0751**

**8 AM - 6 PM EST, Monday through Friday**



Or contact your local Power Wheels® Authorized Service Center.

For the location nearest you, refer to the Authorized Service Center list in this manual.

JEEP and the Jeep grille design are registered trademarks of DaimlerChrysler Corporation and are used under license.  
©DaimlerChrysler Corporation

Goodyear (and winged foot design) and Wrangler (for tires) are trademarks of The Goodyear Tire & Rubber Company, used with permission.  
Fisher-Price and Power Wheels are U.S. trademarks of Mattel, Inc.

Fisher-Price, Inc., a subsidiary of Mattel, Inc., East Aurora, New York 14052 U.S.A.  
©1999 Mattel, Inc. All Rights Reserved.

## Free Manuals Download Website

<http://myh66.com>

<http://usermanuals.us>

<http://www.somanuals.com>

<http://www.4manuals.cc>

<http://www.manual-lib.com>

<http://www.404manual.com>

<http://www.luxmanual.com>

<http://aubethermostatmanual.com>

Golf course search by state

<http://golfingnear.com>

Email search by domain

<http://emailbydomain.com>

Auto manuals search

<http://auto.somanuals.com>

TV manuals search

<http://tv.somanuals.com>