



Product features may vary from the picture above.

CAUTION

ELECTRIC TOY: Not recommended for children under 3 years of age. As with all electric products, precautions should be observed during handling and use to prevent electric shock.

Monster Sound BIGFOOT[®]

Owner's Manual with Assembly Instructions

Please read this manual and save it with your original sale's receipt.

For Model 74420

Tools needed for assembly: Phillips Screwdriver, Slotted Screwdriver, Hammer, Safety Scissors.

Three size LR6 "AA" alkaline batteries (not included) needed for sound box.

Use only with Power Wheels[®] Type H 6 Volt Batteries, Power Wheels[®] 30 Amp Fuses and Power Wheels[®] Type H 12 Volt Charger (all included).

Throughout this manual you will find important messages in the form of **WARNINGS, CAUTIONS, and NOTES.**

 **WARNING**

WARNING – SIGNALS SOMETHING THAT COULD HURT YOUR CHILD OR YOU. The message explains the hazard and how you can avoid it.

 **WARNING**

- Children can be harmed by small parts, sharp edges and sharp points in the vehicle's unassembled state, or by electrical items. Care should be taken in unpacking and assembly of the vehicle. Children should not handle parts, batteries or help in assembly of the vehicle.
- Keep small parts and plastic bags out of children's reach. Dispose of plastic bags properly.
- Adult supervision is required. Children do not have the judgement necessary to avoid many accidents. Be sure that children operating this vehicle can do so safely and that they are supervised at all times.
- Improper use of this vehicle could lead to a serious or fatal accident. Allow children to play with **Monster Sound BIGFOOT®** only when you have determined that they can do so safely. Follow all instructions to help your child enjoy this vehicle as safely as possible.
- Never use near steps, driveways, steep inclines, roadways, alleys, swimming pool areas or other bodies of water.
- Always wear shoes or sneakers when operating or riding in this vehicle.
- Never allow more than one rider.
- The rider should sit on the seat when the vehicle is in operation.
- **Hot** motor covers. Handle carefully.
- Never alter this vehicle or its electrical system in any way. Alterations could cause a fire resulting in injury and could also ruin the electrical system.
- Use of the wrong type 6 volt battery, fuse or charger could cause a fire or explosion, resulting in serious injury.
- Never add unauthorized parts to the vehicle or use substitute parts. Use only specified Power Wheels® replacement parts.
- The 6 volt batteries must be handled by adults only.
- Never lift or carry the 6 volt batteries by the wires or connectors. This can damage the 6 volt batteries and possibly cause a fire resulting in injury. Lift and carry the 6 volt batteries by the cases only.
- Never permit a child to handle the 6 volt batteries. The 6 volt batteries are heavy and contain sulfuric acid (electrolyte), and if dropped could result in serious injury. Read the cautions on the back panel of the 6 volt batteries.
- Never allow children to charge the 6 volt batteries. Battery charging must be done by adults only. A child could be injured by the electricity involved in charging the 6 volt batteries.
- Examine the 6 volt batteries, charger and their connectors for excessive wear or damage each time you charge the 6 volt batteries. If damage or excessive wear is detected, do not use the vehicle until you have replaced the worn or damaged part as it could possibly cause a fire resulting in injury.

 **CAUTION**

CAUTION – SIGNALS SOMETHING THAT
COULD DAMAGE THE VEHICLE.

The message explains the risk and
how you can avoid it.

NOTE – Is used to highlight
useful information.

 **CAUTION**

- Do not operate your vehicle for the first time until you have inserted the 30 amp fuses into the 6 volt batteries and charged the 6 volt batteries for at least 18 hours. Never charge the 6 volt batteries longer than 30 hours.
- After first-time use, charge the 6 volt batteries for at least 14 hours after each use. You do not have to let the 6 volt batteries run down completely before recharging. Never charge the 6 volt batteries longer than 30 hours.
- Use the charger indoors only.
- Read and follow the Battery Care instructions on page 30. Failure to follow the Battery Care instructions may permanently damage your 6 volt batteries and will void your warranty.
- When you purchase replacement 6 volt batteries, you should buy a set. Using an older 6 volt battery with a new 6 volt battery may cause permanent damage to both 6 volt batteries.
- To avoid damaging motors and gears, do not overload the vehicle.
 - Never allow more than one child in the vehicle at one time.
 - Do not exceed the maximum weight capacity of 65 lbs.
 - Do not tow anything behind **Monster Sound BIGFOOT**[®]. The extra weight may overload the vehicle.
- Avoid operating the vehicle in wet or snowy conditions, and do not spray the vehicle with a hose. Do not wash the vehicle with soap and water. Water or moisture in the motors or electrical switches can cause them to corrode, and could cause switch failure.
- Avoid operating the vehicle on sand, loose dirt or gravel. Sand, loose dirt and gravel in the electrical switches or motors can cause them to jam, and could cause switch failure. Use **Monster Sound BIGFOOT**[®] on grass, asphalt or other hard surfaces.

Table of Contents

A	Message to Parents	.4
B	Important Information	.5
C	Parts	.6
D	Parts Diagram	.8
E	First-Time 6 Volt Battery Charging	.9
F	Assembly	.11
G	6 Volt Battery Installation	.26
H	Charging the 6 Volt Batteries	.28
I	Battery Handling/Care/Disposal	.30
J	Rules for Safe Driving	.31
K	How to Operate Your Vehicle	.33
L	Frequently Asked Questions	.35
M	Problems and Solutions Guide	.36
N	Statement of Limited Warranty	.40
O	Authorized Service Centers	.40

A

Message to Parents

Thank you for purchasing the Power Wheels® **Monster Sound BIGFOOT**®! For over 30 years, Power Wheels® has manufactured high-quality, battery-powered vehicles for children. Our goal is to provide your child with an enjoyable and safe driving experience. To help achieve this goal, it is extremely important that you read this entire manual and share the appropriate information with your child.

Monster Sound BIGFOOT® requires adult assembly. Please set aside at least 45 minutes for assembly. Read the assembly instructions carefully and identify all parts before assembly. Refer to the Parts Section beginning on page 6 for parts identification. Save all packaging material until assembly is complete to ensure that no parts are discarded.

In the unlikely event that parts are missing or damaged or if you have any questions about your Power Wheels® vehicle, please call our Consumer Affairs toll-free service lines, open from 8 AM to 6 PM (EST) Monday through Friday.

Please call us at 1-800-348-0751.

Trained customer service representatives are available to take your call in English or French.

¿Habla Español? Si usted tiene alguna pregunta ó necesita asistencia llame gratis 1-800-348-0755 para los Estados Unidos. Tenemos representantes que hablan español para atender su llamada.

We also have a nationwide Authorized Service Center network – with over 300 Authorized Service Centers. Our Authorized Service Centers will repair or replace parts under warranty at no charge. For vehicles beyond warranty, our Authorized Service Centers will perform repairs for a minimal charge. For the Authorized Service Center nearest you, please see the Authorized Service Center listing beginning on page 40.

B

Important Information

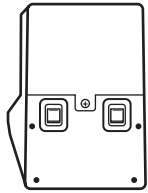
- Carefully read this manual for important safety information and operating instructions before using your vehicle.
- Please complete and return the enclosed Registration Card, or call 1-800-348-0751 to register your vehicle by phone.
- **Monster Sound BIGFOOT®** is designed for use by children 3-7 years.
- Adult assembly is required.
- **Monster Sound BIGFOOT®** has an adjustable play seat belt. Please note that the adjustable seat belt is designed to be a play feature only and does not function as a protective safety restraint.
- This vehicle uses two Power Wheels® Type H 6 volt batteries with Power Wheels® 30 amp fuses and a Power Wheels® Type H 12 volt charger (120 VAC 60 HZ 28W with an output of 12 VDC 1200 mA). **Do not** substitute any other batteries, fuses or charger.
- **Before first-time use, charge the 6 volt batteries for at least 18 hours. Never charge the 6 volt batteries longer than 30 hours.**
- After the first charge, charge the 6 volt batteries a minimum of 14 hours after each use. Never charge the 6 volt batteries longer than 30 hours.
- Do not run down the 6 volt batteries completely before charging.
- Leaving the 6 volt batteries in a discharged condition will ruin them.
- Charge the 6 volt batteries before storing your vehicle.
- Charge the 6 volt batteries at least once per month, even if the vehicle has not been used.
- Do not store the 6 volt batteries in temperatures above 75° F or below -10° F.
- Even with proper care, the 6 volt batteries will not last forever. The life of the 6 volt batteries depends on how well you follow the Battery Care instructions and the total number of hours the 6 volt batteries are used. Please refer to the Battery Handling/Care/Disposal instructions on page 30 for detailed information about battery care.
- When you purchase replacement Power Wheels® Type H 6 volt batteries, you should buy them as a set. Using an older 6 volt battery with a new 6 volt battery may result in poor performance and may cause permanent damage to both 6 volt batteries. Remember to charge new 6 volt batteries for at least 18 hours before first use.
- To purchase Power Wheels® Type H 6 volt batteries, Power Wheels® 30 amp fuses or a Power Wheels® Type H 12 volt charger, please contact:
 - the store where your vehicle was purchased.
 - an Authorized Service Center (see Authorized Service Center list beginning on page 40).
 - Power Wheels® Consumer Affairs at **1-800-348-0751**.
- While the 6 volt batteries are charging, the charger may become warm to the touch. This is a normal condition and does not indicate a problem.
- **Monster Sound BIGFOOT®** is suitable for use on grass, asphalt or other hard surfaces. To prevent damage to the motors and switches, do not operate the vehicle on loose dirt, gravel or sand.
- To prevent damage to electrical components, store **Monster Sound BIGFOOT®** inside or under a protective cover during snowy or rainy weather. Do not leave **Monster Sound BIGFOOT®** out in the rain or let your child wash it with soap and water.
- **Monster Sound BIGFOOT®** has a special circuit-breaker in the wiring to protect the motors and electrical system. If the vehicle is put under extreme load (driving on rough surfaces, too much weight, climbing too steep of an incline), the circuit-breaker will shut the electrical system down for up to 20 seconds. If the system repeatedly shuts down, the driving conditions may be too demanding (ie: too steep or too much weight).
- Metal parts have been coated with a lubricant to protect them during shipment. Wipe all metal parts with a paper towel to remove any excess lubricant.

C

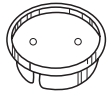
Parts

If you experience a problem with this product, or are missing a part, please call us at **1-800-348-0751**, rather than return this product to the store.

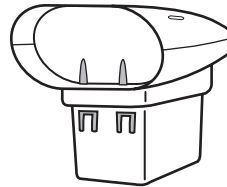
Please save all packaging material until assembly is complete to ensure that no parts are discarded.



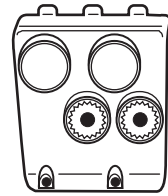
Sound Box



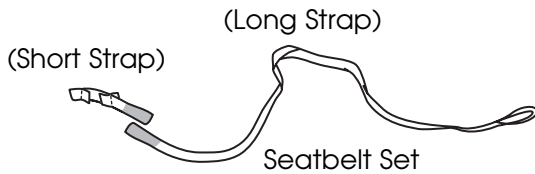
Steering Wheel Cap



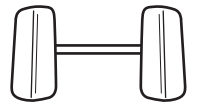
Airscoop



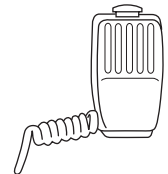
Soundbox Cover



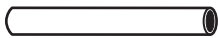
Seatbelt Set



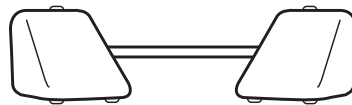
(Left) (Right)
Taillight Lens Set



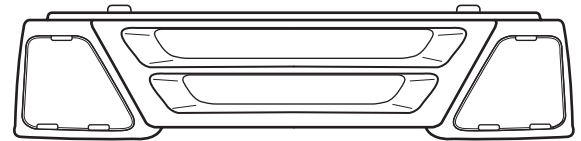
Microphone



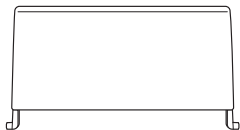
Sport Bar Support - 2



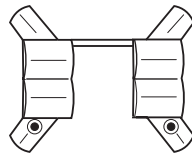
(Right) (Left)
Headlight Lens Set



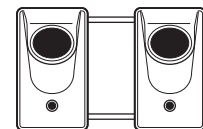
Grille



Tailgate



(Right) (Left)
Sport Bar Bracket Set



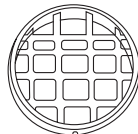
Sport Bar Foot Set



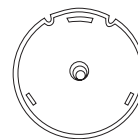
Battery Retainer



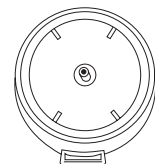
Lens - 2



Lens Guard - 2



Light Plate - 2



Light Housing - 2

Parts



Key



Knob



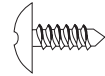
30 Amp Fuse - 3*



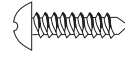
.354 Cap Nut - 3*



#8 x 1" Screw - 18



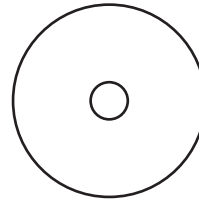
#6 x 3/8" Screw - 2



#6 x 1/2" Screw - 4



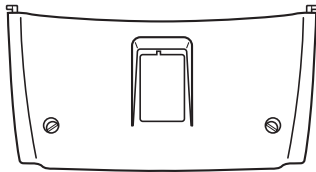
#6 x 1 1/2" Screw - 2



3/16" Washer - 2

All Shown
Actual Size

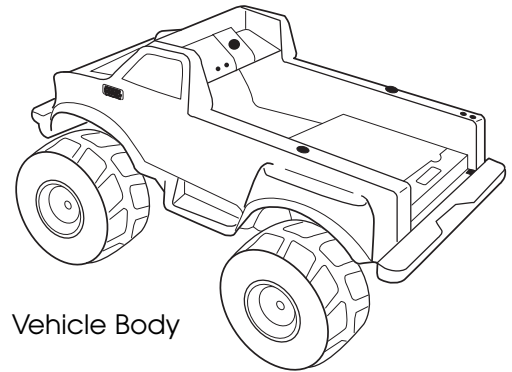
*For your convenience, an extra 30 amp fuse and .354 cap nut have been included.



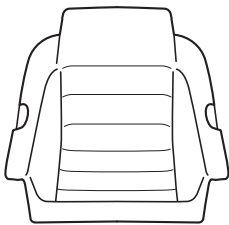
Hood



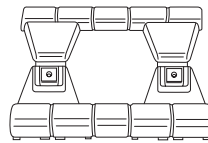
Steering Column



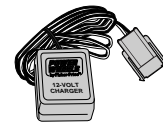
Vehicle Body



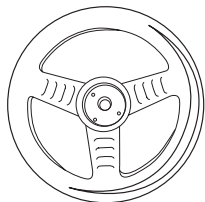
Seat



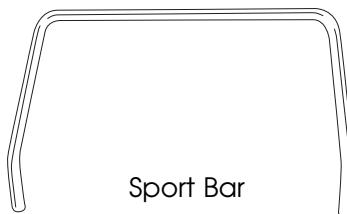
Light Rack



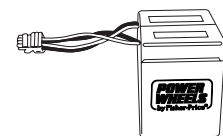
12 Volt Charger



Steering Wheel



Sport Bar

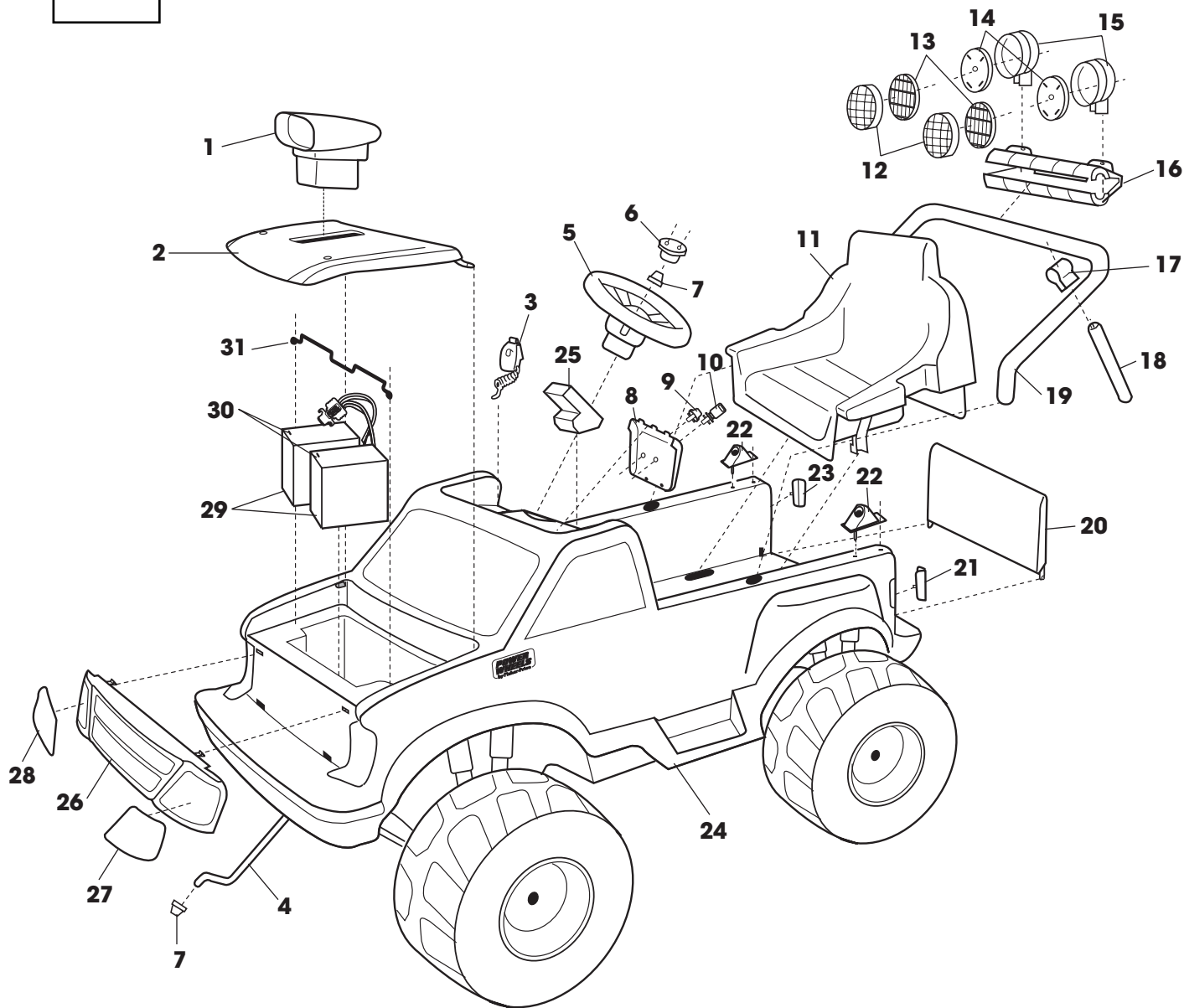


6 Volt Battery - 2

Not Shown: Label Sheet

D

Parts Diagram



Parts

1	Airscoop	12	Lens Cover	23	Right Taillight
2	Hood	13	Lens	24	Vehicle Body
3	Microphone	14	Light Plate	25	Sound Box
4	Steering Column	15	Light Housing	26	Grille
5	Steering Wheel	16	Sport Bar Cover	27	Left Headlight
6	Steering Wheel Cap	17	Sport Bar Bracket	28	Right Headlight
7	Cap Nut	18	Sport Bar Support	29	6 Volt Batteries
8	Sound Box Cover	19	Sport Bar	30	30 Amp Fuses
9	Knob	20	Tailgate	31	Battery Retainer
10	Key	21	Left Taillight		
11	Seat	22	Sport Bar Foot		

E

First-Time 6 Volt Battery Charging

We recommend that you start charging your 6 volt batteries before beginning assembly of your vehicle. **Your new 6 volt batteries must be charged for at least 18 hours before you use your vehicle for the first time.**



WARNING

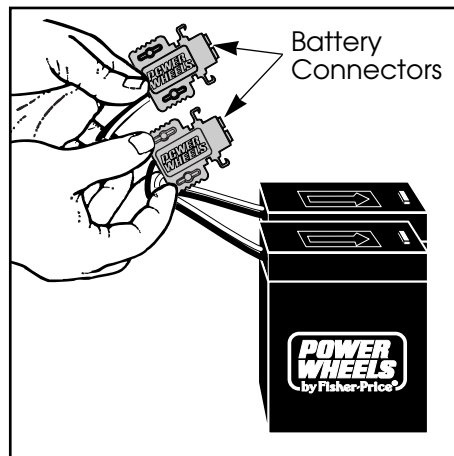
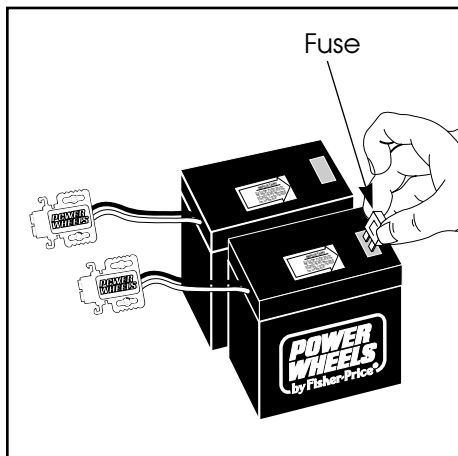
- Batteries must be handled by adults only.
- Never allow children to charge the 6 volt batteries. Battery charging must be done by adults only. A child could be injured by the electricity involved in charging batteries.
- Use of the wrong type 6 volt battery, fuse or charger could cause a fire or explosion, resulting in serious injury.
- Never permit a child to handle batteries. The 6 volt batteries are heavy and contain sulfuric acid (electrolyte), and if dropped could result in a serious injury. Read the cautions on the back panels of the batteries.
- Never lift or carry the 6 volt batteries by the wires or connectors. This can damage the 6 volt batteries and possibly cause a fire. Lift and carry the 6 volt batteries by the cases only.
- Examine the 6 volt batteries, charger and their connectors for excessive wear or damage each time you charge the 6 volt batteries. If damage or excessive wear is detected, do not use the charger or the vehicle until you have replaced the worn or damaged part.
- Never alter this vehicle or its electrical system in any way. Alterations could cause a fire resulting in injury and could also ruin the electrical system.



CAUTION

- Do not operate the vehicle for the first time until you have inserted 30 amp fuses into the 6 volt batteries and charged them for at least 18 hours. Never charge the 6 volt batteries longer than 30 hours.
- Carefully read the Battery Care instructions to obtain the best battery life. Failure to follow the Battery Care instructions may permanently damage your 6 volt batteries and may void your warranty.
- Use the charger indoors only.

First-Time 6 Volt Battery Charging

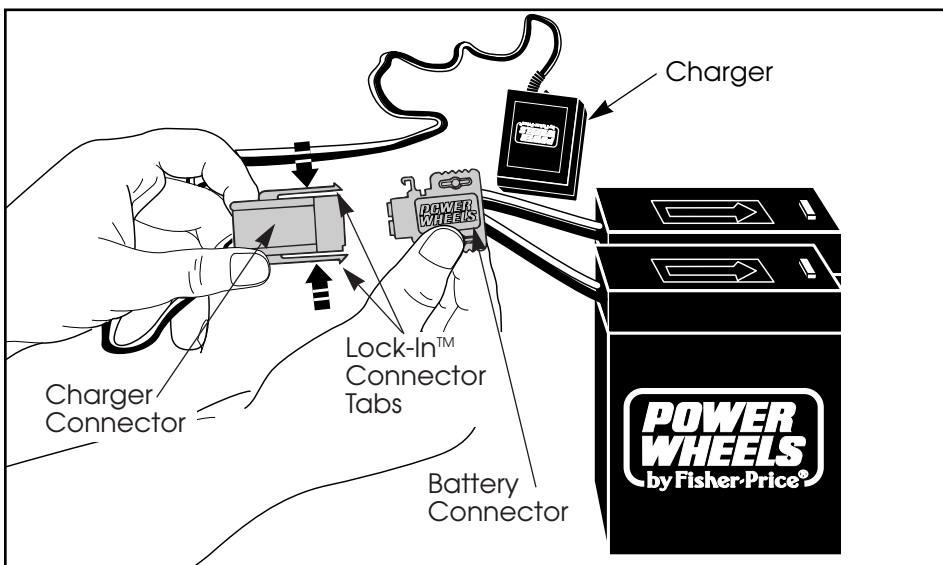


1

- Insert a 30 amp fuse into each 6 volt battery.

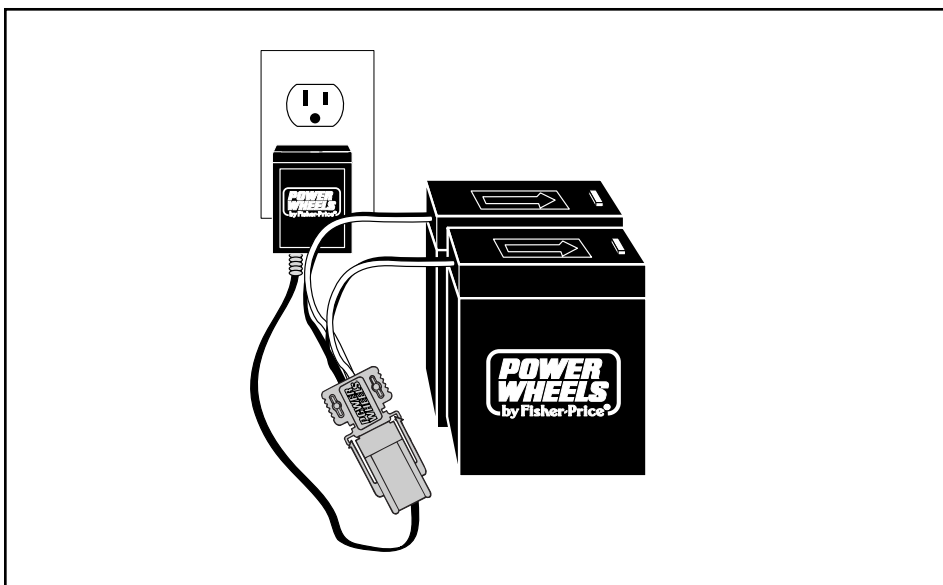
Note: The top of the fuse will not be flush with the top of the 6 volt battery when properly installed.

- Stack one battery connector on top of the other and snap them together.



2

- Squeeze the Lock-In™ connector tabs on the charger connector and plug it into the battery connector.



3

- Plug the charger into a standard 120 volt wall outlet.

Note: If power flow to the wall outlet is controlled by a switch, make sure the switch is "ON".

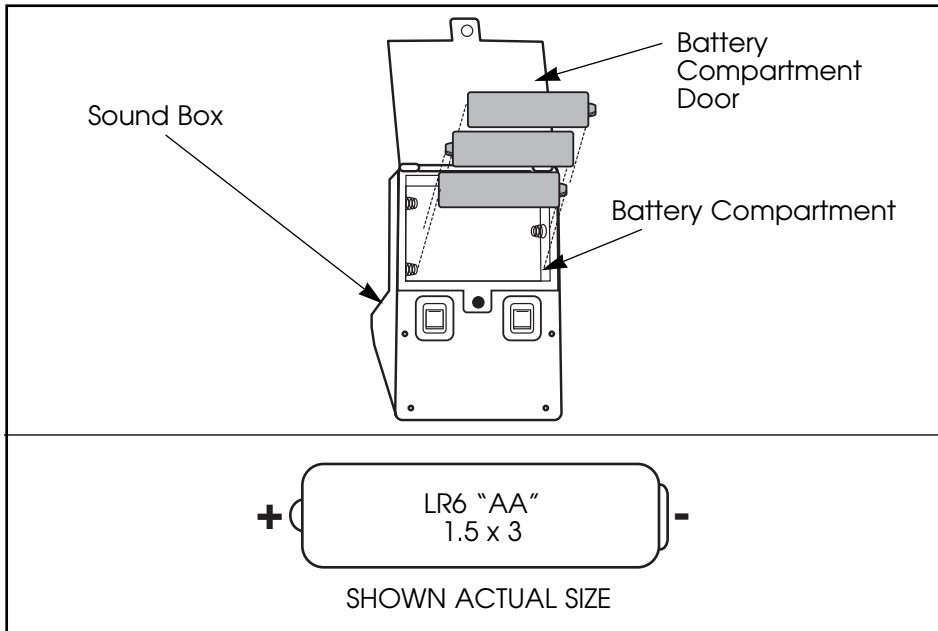
- Before first time use, charge the 6 volt batteries for **at least 18 hours**. Never charge the 6 volt batteries longer than 30 hours.

Note: The 6 volt batteries must be upright while charging.

G

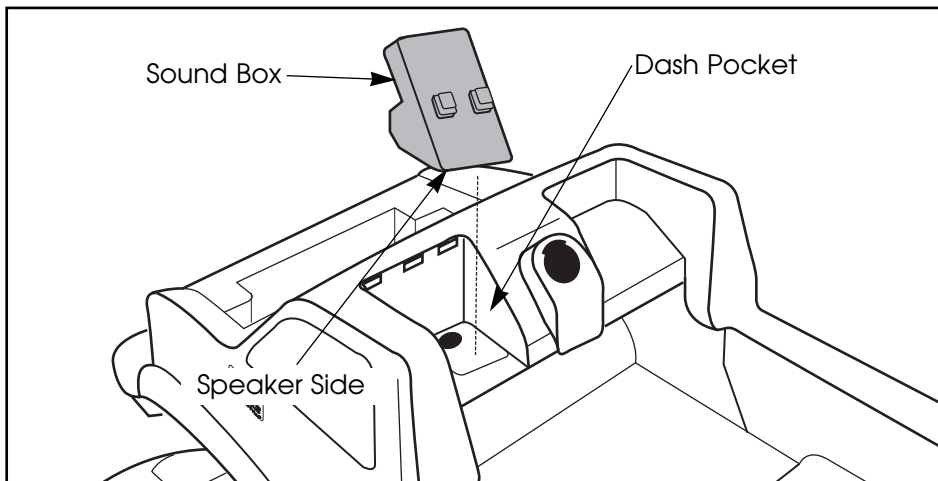
Assembly

Do Not Omit Any Steps. Please set aside at least 45 minutes for assembly.



1

- Locate the sound box battery compartment.
- Loosen the screw in the battery compartment door with a Phillips screwdriver. The screw will remain in the door.
- Lift the battery compartment door open.
- Insert three size LR6 "AA" alkaline batteries into the battery compartment as indicated on the battery compartment door.
- Close the battery compartment door.
- Tighten the screw with a Phillips screwdriver. Do not over-tighten.



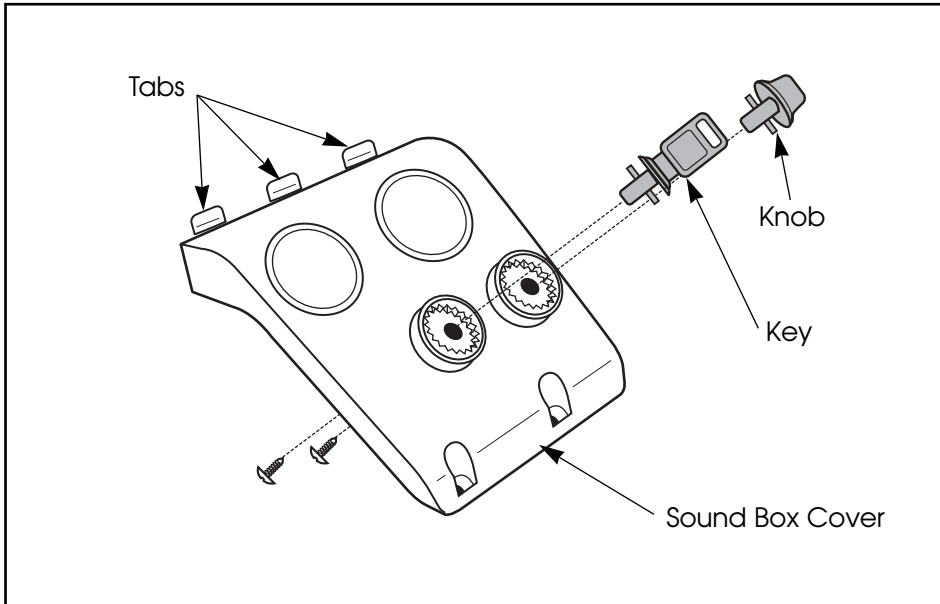
2

- Place the sound box into the dash pocket in the vehicle body, speaker side down.

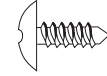
IMPORTANT NOTES:

- Do not mix old and new batteries.
- Do not mix different types of batteries: alkaline, standard (carbon-zinc) or rechargeable (nickel-cadmium).
- Remove batteries during long periods of non-use. Always remove exhausted batteries from the product. Battery leakage and corrosion can damage the product.
- Never short circuit the battery terminals.
- Non-rechargeable batteries are not to be recharged.
- Only batteries of the same or equivalent type as recommended in the battery installation instructions are to be used.
- If removeable rechargeable batteries are used, they are only to be charged under adult supervision.
- Rechargeable batteries are to be removed from the product before they are charged.
- Battery chargers used with the product must be examined regularly for damage to the cord, plug enclosure and other parts. In the event that such damage is found, the product must not be used with the battery charger until the damage has been repaired.

Assembly

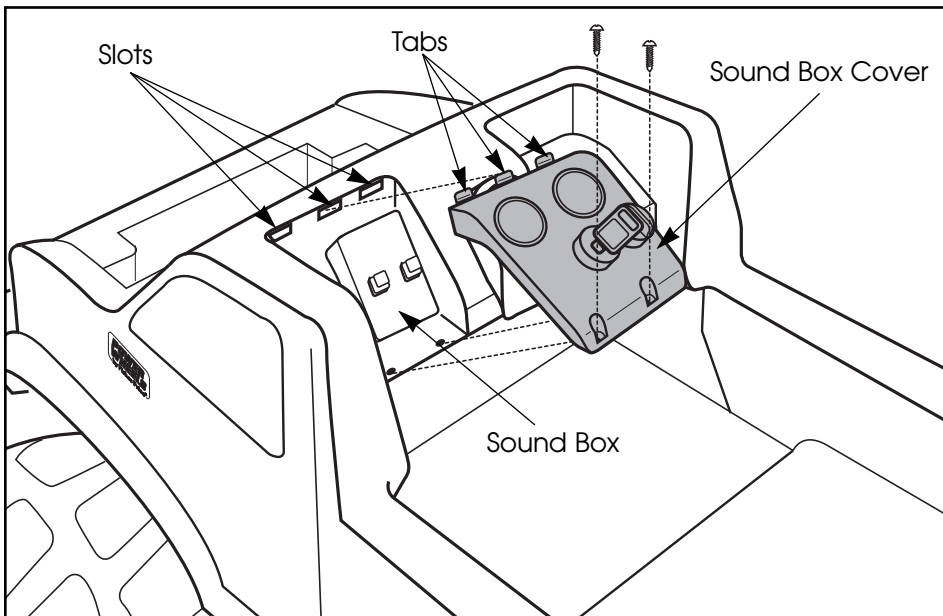


3



#6 x $\frac{3}{8}$ " Screw – 2
Shown Actual Size

- Position the sound box cover as shown. Make sure the three tabs are at the top.
- Fit the knob into the hole in the right side of the sound box cover.
- Fit the key into the hole to the left of the knob.
- Insert a #6 x $\frac{3}{8}$ " screw into the back of the knob and into the back of the key.
- Tighten the screws with a Phillips screwdriver. Do not over-tighten.



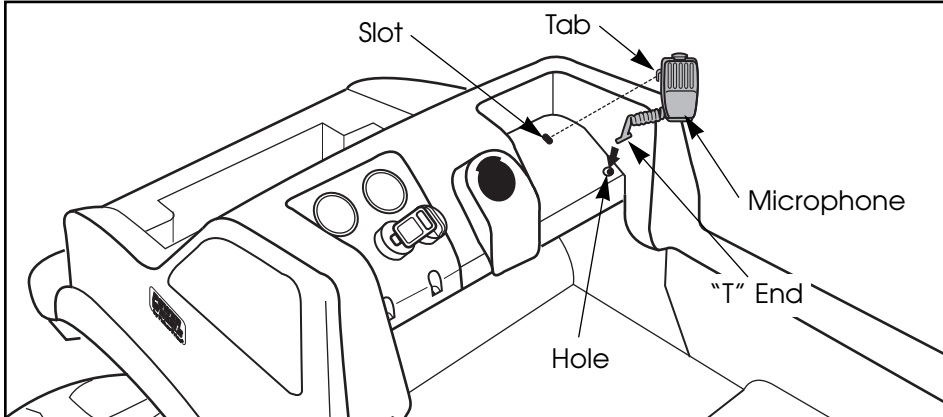
4



#6 x $\frac{1}{2}$ " Screw – 2
Shown Actual Size

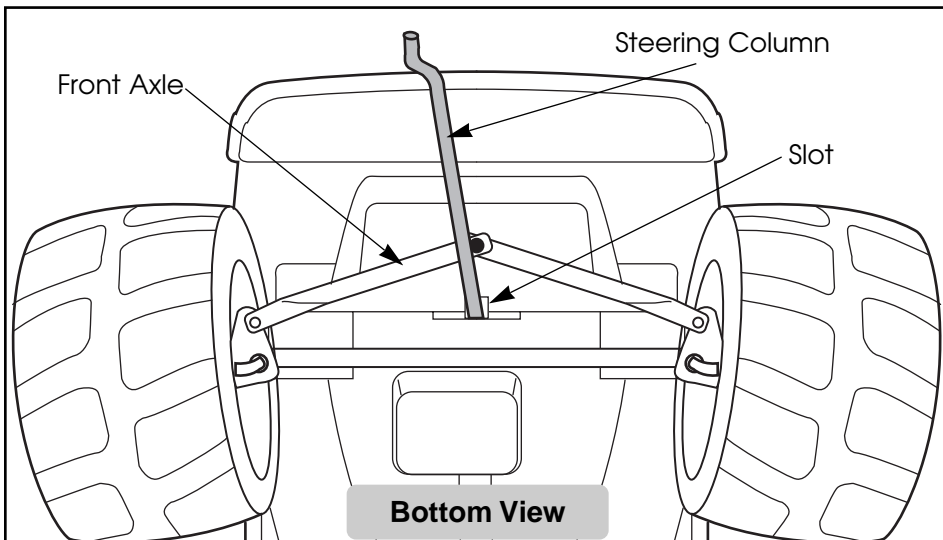
- Insert the tabs on the sound box cover into the slots in the dash near the sound box.
- Lower the bottom of the sound box cover.
- Insert two #6 x $\frac{1}{2}$ " screws through the sound box cover and into the dash.
- Tighten the screws with a Phillips screwdriver. Do not over-tighten.

Assembly



5

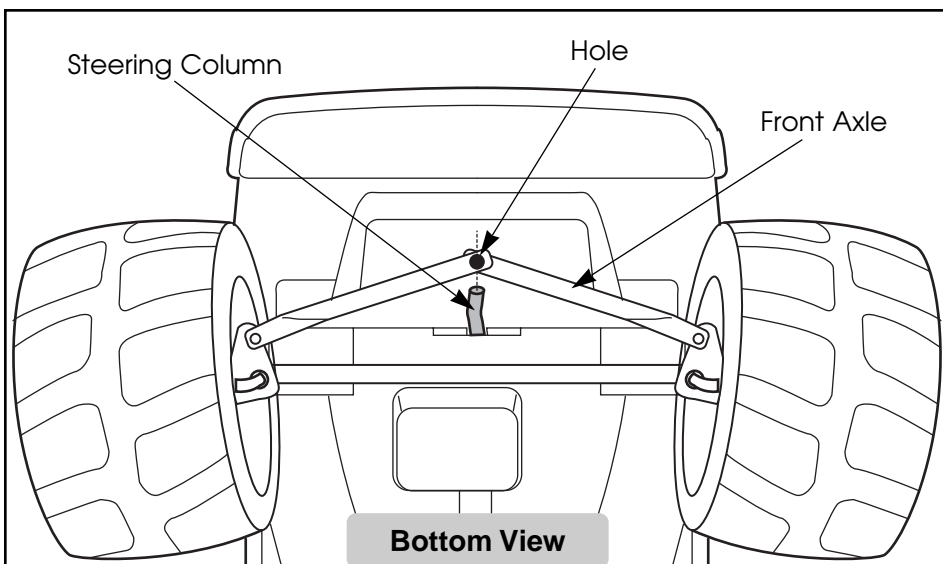
- Bend the end of the microphone cord so that it forms a "T".
- Insert the end of the microphone cord through the hole in the right side of the dash.
- Gently pull on the microphone cord to make sure it is secure in the dash.
- Fit the tab on the back of the microphone into the slot in the dash to secure the microphone.



6

Helpful Hint: You may want the help of another person to complete assembly steps 6 through 9.

- Wipe the steering column with a paper towel to remove any excess lubricant.
- Carefully lift the front end of the vehicle.
- Insert the straight end of the steering column **under** the front axle, through the slot in the vehicle body and out through the large hole in the center of the dash.

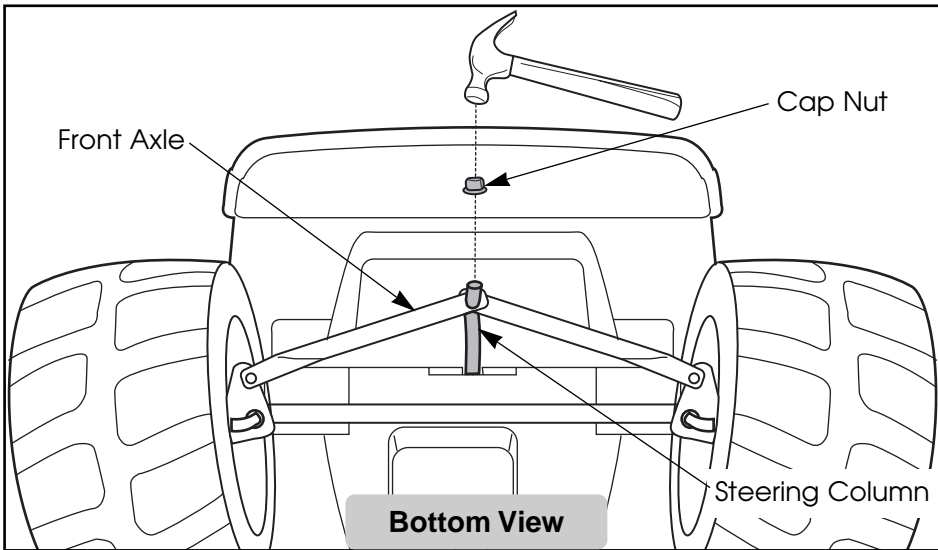


7

- Fit the curved end of the steering column into the hole in the front axle.

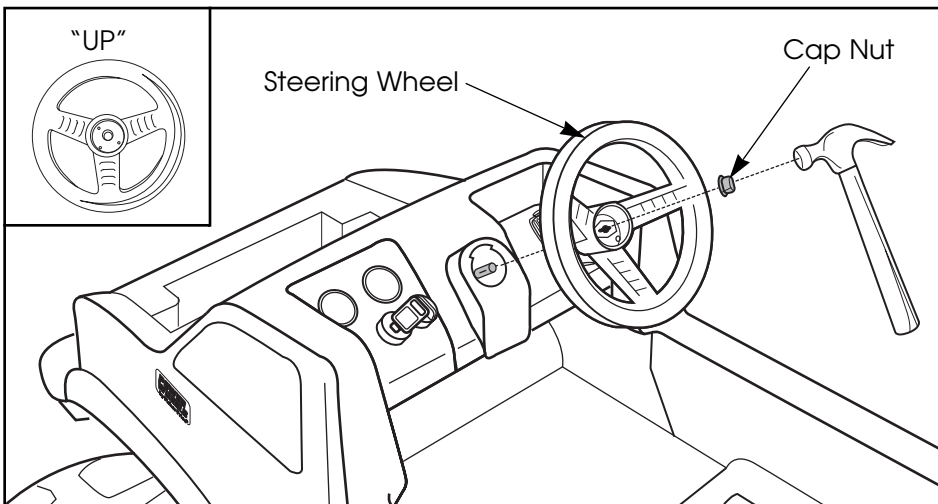
Please Note: You may need to straighten the vehicle tires and rotate the steering column to fit it into the hole in the front axle.

Assembly



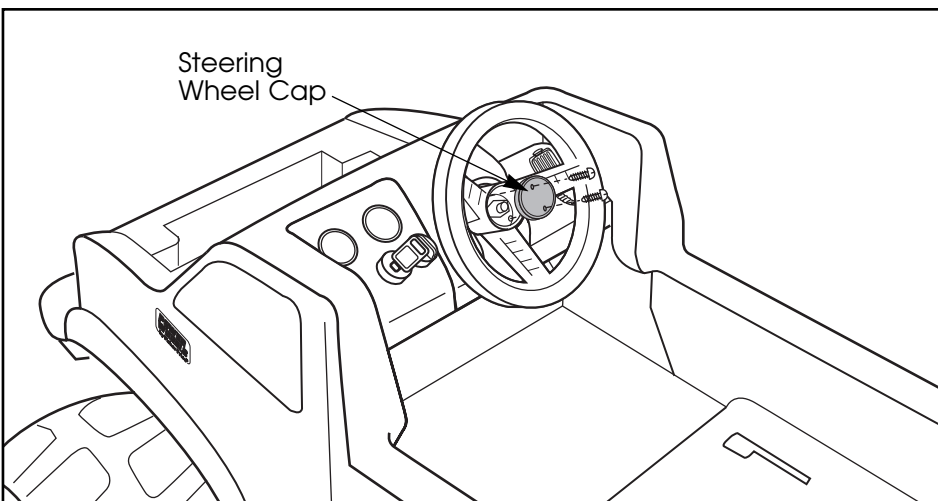
8

- Fit a cap nut onto the end of the steering column.
- While supporting the steering column, tap the cap nut with a hammer to secure it on the steering column.



9

- Hold the steering column in place and gently lower the vehicle body.
- Position the steering wheel so that the spokes form a "Y" as shown.
- While supporting the steering column, fit the steering wheel onto the steering column.
- Fit a cap nut onto the end of the steering column.
- Tap the cap nut with a hammer to secure it on the steering column.



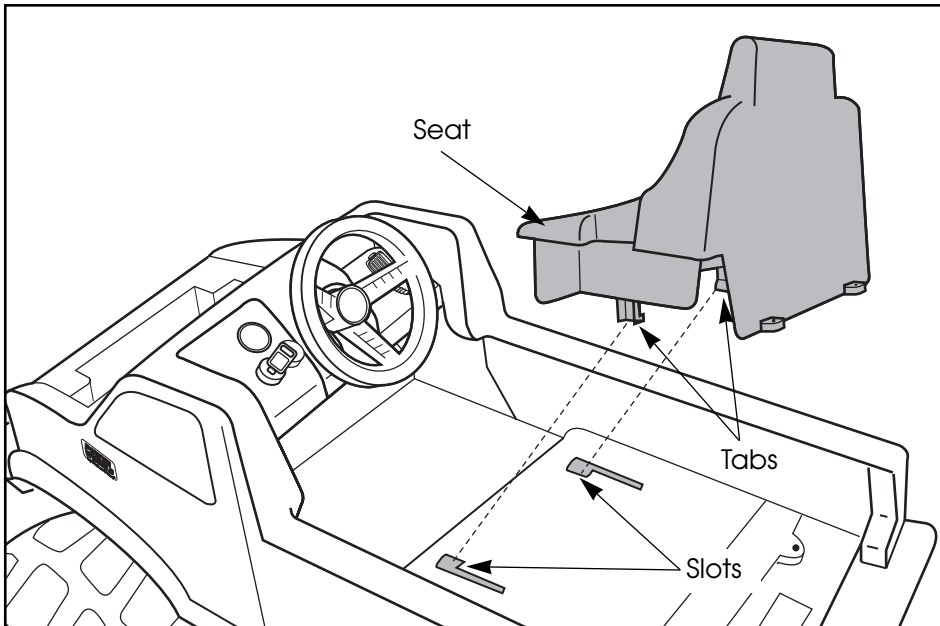
10



#8 x 1" Screw – 2
Shown Actual Size

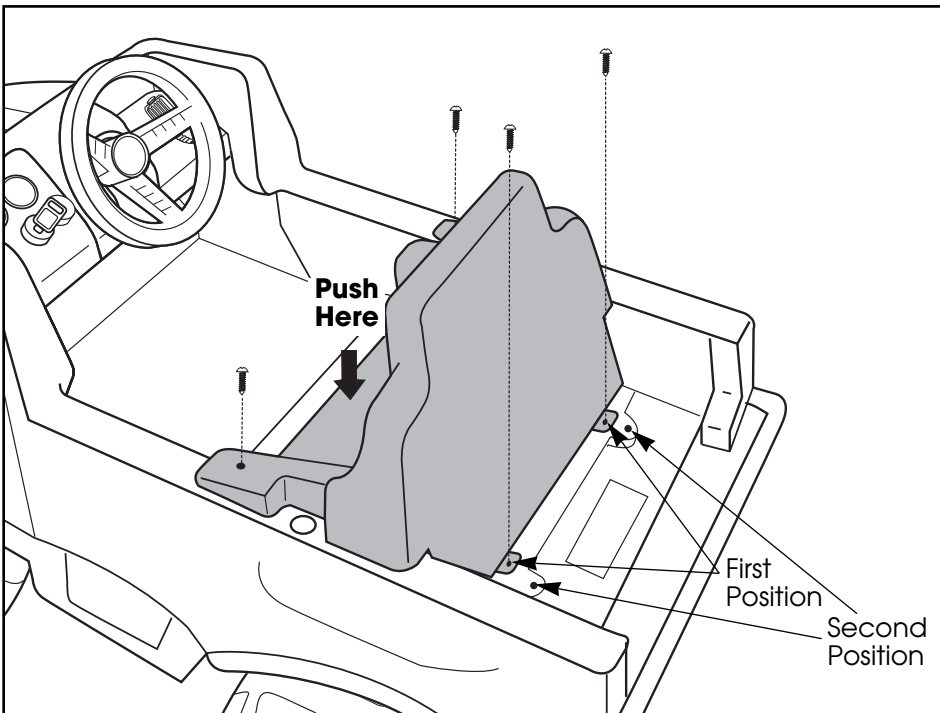
- Align the tab on the steering wheel cap with the slot in the center of the steering wheel.
- Fit the steering wheel cap into the center of the steering wheel.
- Insert two #8 x 1" screws into the steering wheel cap.
- Tighten the screws with a Phillips screwdriver. Do not over-tighten.

Assembly



11

- Insert the two tabs on the bottom of the seat into the slots in the vehicle body.



12

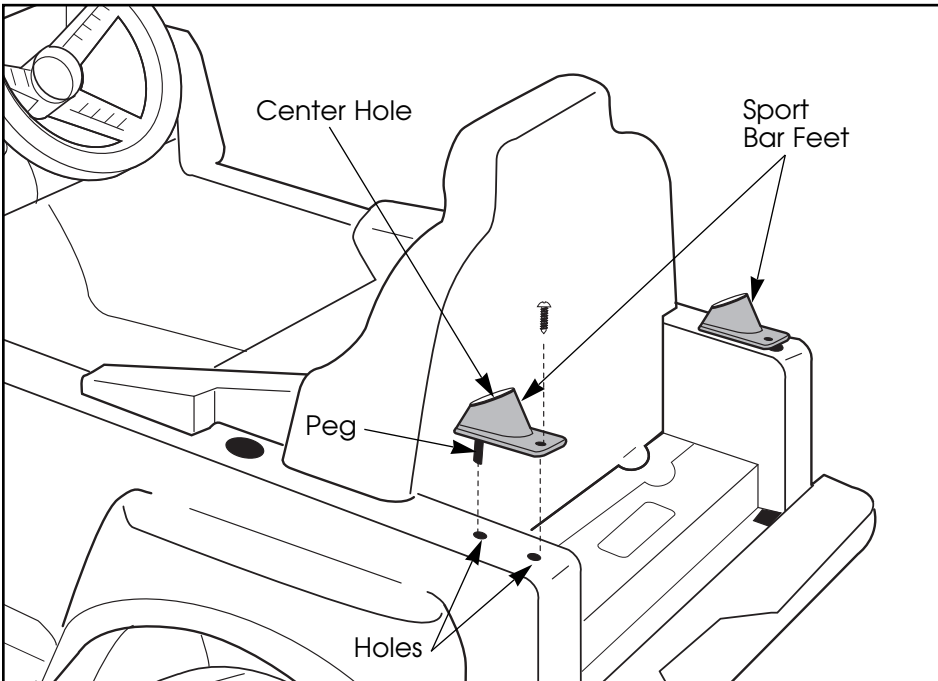


#8 x 1" Screw – 4
Shown Actual Size

Please Note: The seat can be assembled in either of two positions for your child's comfort.

- Push down on the center of the seat and slide it toward the rear of the vehicle.
- Align the screw holes in the back of the seat with the first or second set of holes in the vehicle body.
- Check your child's fit in the vehicle by observing foot to pedal distance and adjust the position of the seat, if necessary.
- Insert two #8 x 1" screws through the holes in the back of the seat and into the holes in the vehicle body, as shown.
- Insert two screws through the holes in the armrests and into the vehicle body, as shown.
- Tighten the screws with a Phillips screwdriver. Do not over-tighten.

Assembly

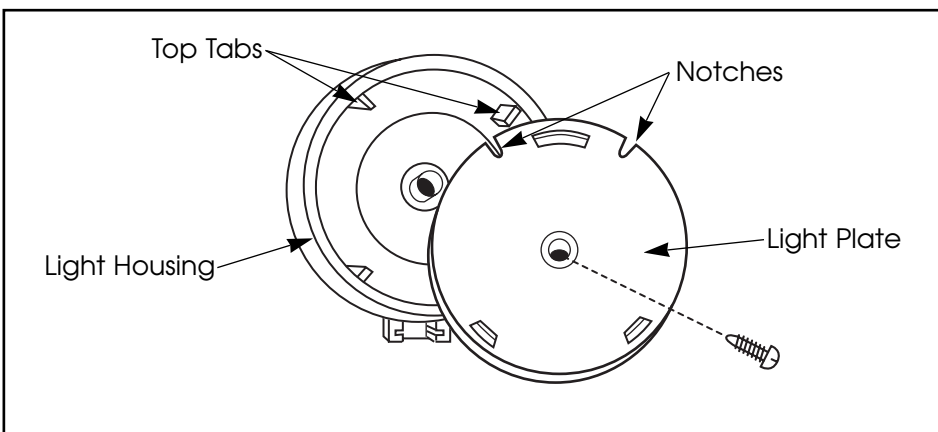


13

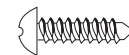


#8 x 1" Screw – 2
Shown Actual Size

- Using safety scissors, remove the sport bar feet from the plastic connector. Dispose of the plastic connector.
- Insert the peg on a sport bar foot into the hole closest to the back of the seat in one side of the vehicle body.
- Align the hole in the sport bar foot with the hole in the vehicle body. Make sure the large hole in the center of the sport bar foot faces toward the front of the vehicle.
- Insert a #8 x 1" screw through the hole in the sport bar foot and into the vehicle body.
- Tighten the screw with a Phillips screwdriver. Do not over-tighten.
- Repeat this procedure to assemble the remaining sport bar foot to the other side of the vehicle body.



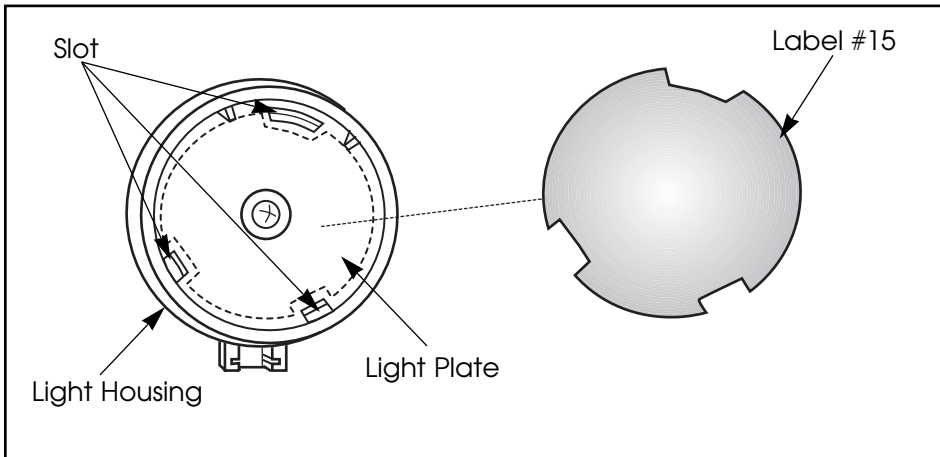
14



#6 x 1/2" Screw – 2
Shown Actual Size

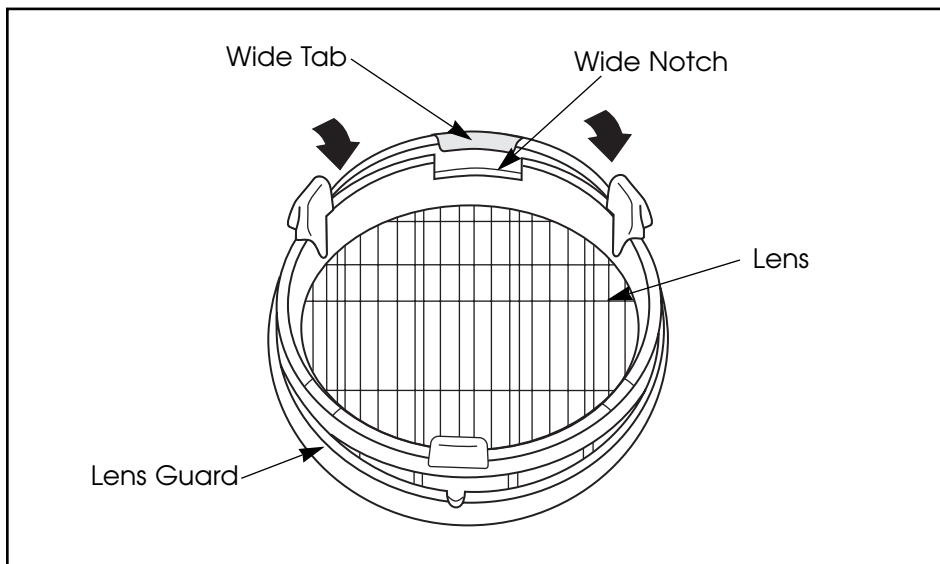
- With the light plate at an angle, fit the notches in the light plate around the top tabs on the inside of a light housing.
- Lower the light plate into the housing so that it lays flat.
- Insert a #6 x 1/2" screw into the light plate as shown.
- Tighten the screw with a Phillips screwdriver. Do not over-tighten.
- Repeat this procedure to assemble the other light housing.

Assembly



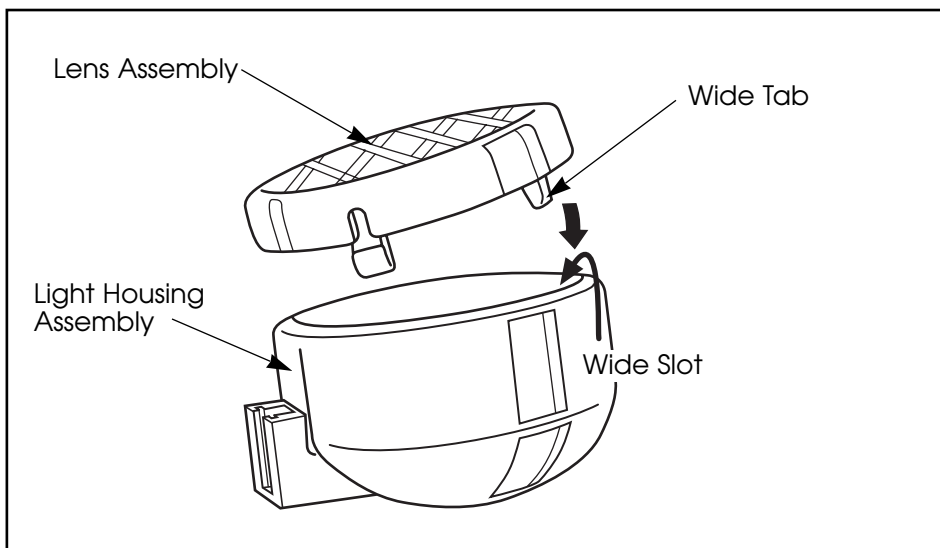
15

- Apply a label to the center of each of the light plates, as shown.
- Align the cut-outs in the labels with the slots in the light plates, so that the labels do not cover the slots.
- Make sure the areas where the labels will be applied are clean and dry. For best adhesion, avoid applying the labels more than once.
- Set the light housing assemblies aside.



16

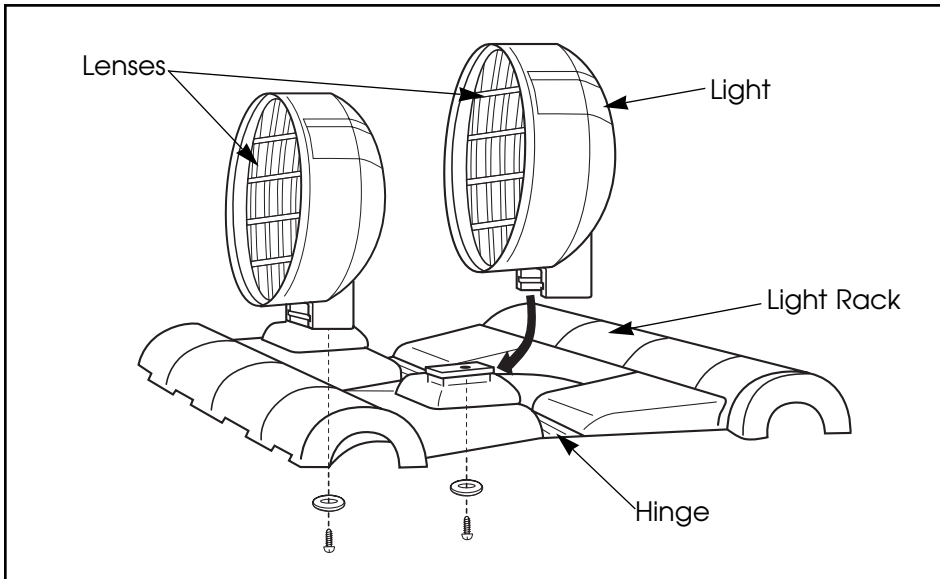
- Fit the wide notch in the side of a lens under the wide tab on a lens guard.
- Press firmly on the inside of the lens to snap it into the lens guard.
- Repeat this procedure to assemble the other lens to the remaining lens guard.



17

- Insert the wide tab on a lens assembly into the wide slot in a light housing assembly.
- Press firmly to snap the lens assembly into the light housing assembly.
- Repeat this procedure to assemble the other lens assembly to the other light housing assembly.

Assembly

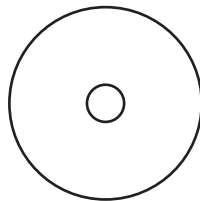


18

- Slide the assembled sport bar lights onto the light rack with the lenses facing away from the hinge.
- Fit a $\frac{3}{16}$ " washer onto each of two #8 x 1" screws.
- Insert the #8 x 1" screws with washers up through the light rack and into the sport bar lights as shown.
- Tighten the screws with a Phillips screwdriver. Do not over-tighten.

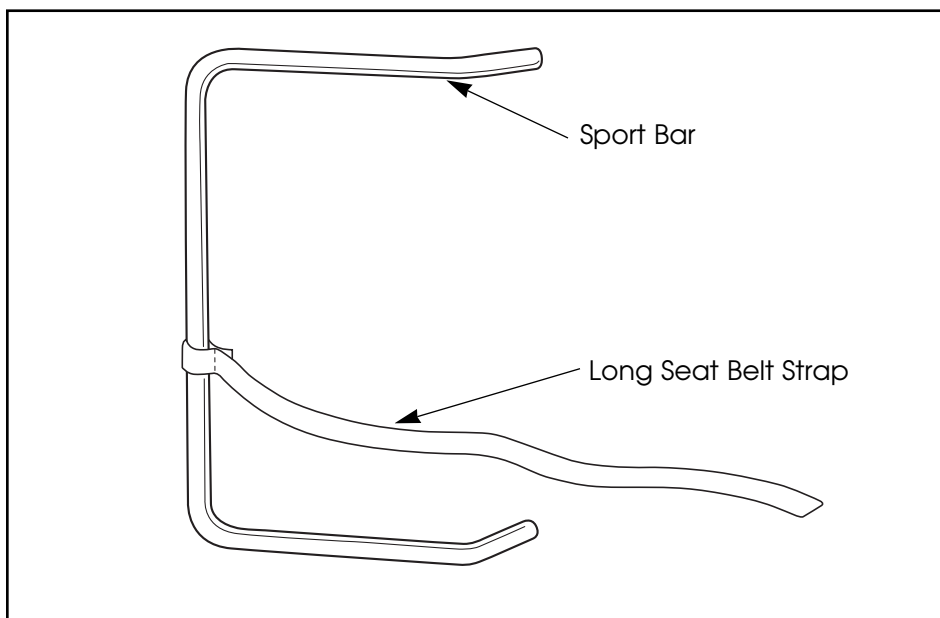


#8 x 1" Screw - 2



$\frac{3}{16}$ " Washer - 2

Both Shown Actual Size

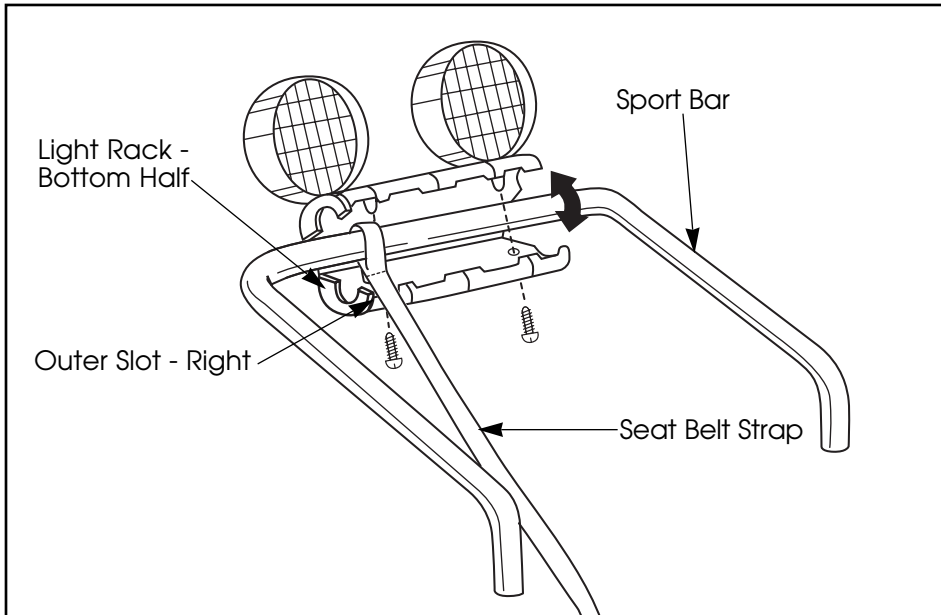


19

- Position the sport bar on its side, with the ends curving away from you.
- Slide the loop at the end of the long seat belt strap onto the center section of the sport bar.

Please Note: Make sure that the side of the seat belt strap with the fastener is facing away from you and that the seat belt strap is not twisted.

Assembly

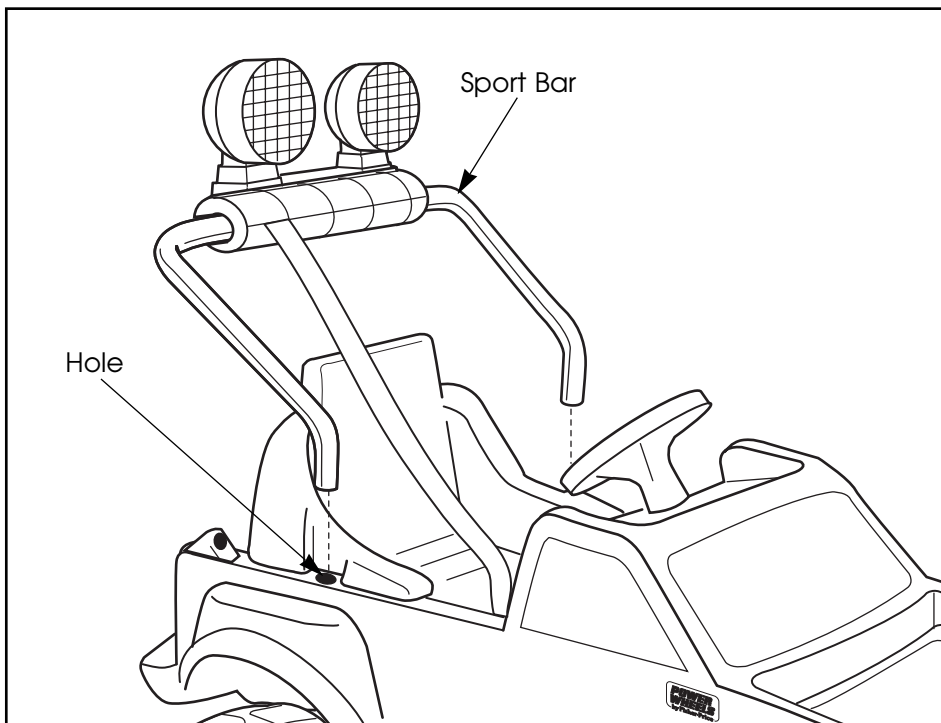


20



#6 x 1 1/2" Screw - 2
Shown Actual Size

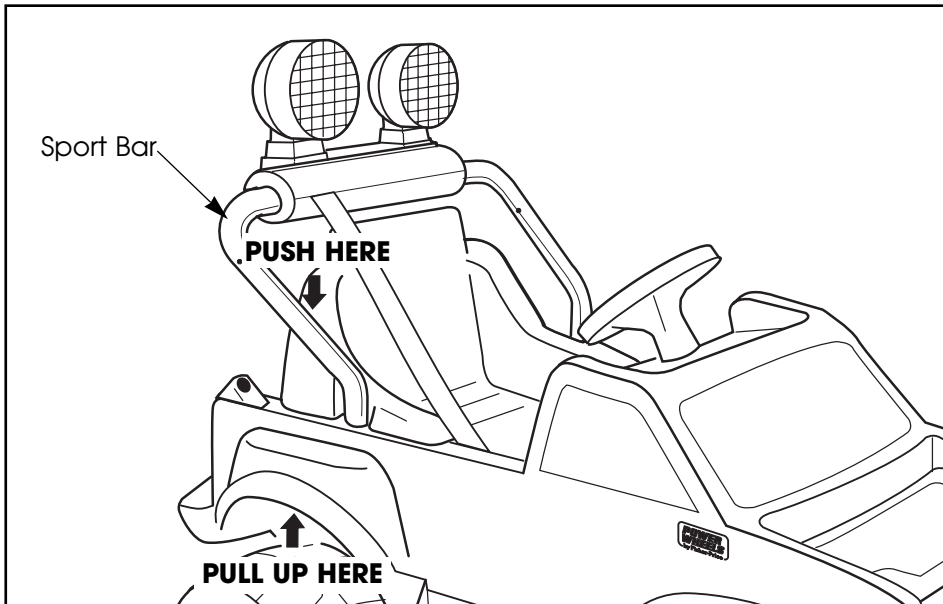
- Fit the bottom half of the light rack onto the center section of the sport bar.
- Insert two #6 x 1 1/2" screws up through the bottom half of the light rack and into the sport bar, as shown.
- Close the light rack around the sport bar, making sure that the seat belt strap exits through the outer slot in the right side of the light rack.
- Tighten the screws with a Phillips screwdriver. Do not over-tighten.



21

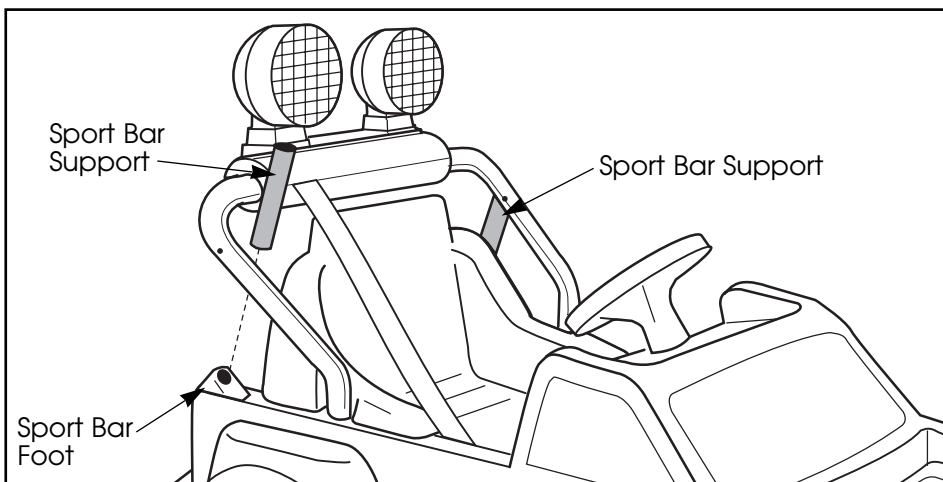
- Fit the ends of the sport bar into the holes in the vehicle body.

Assembly



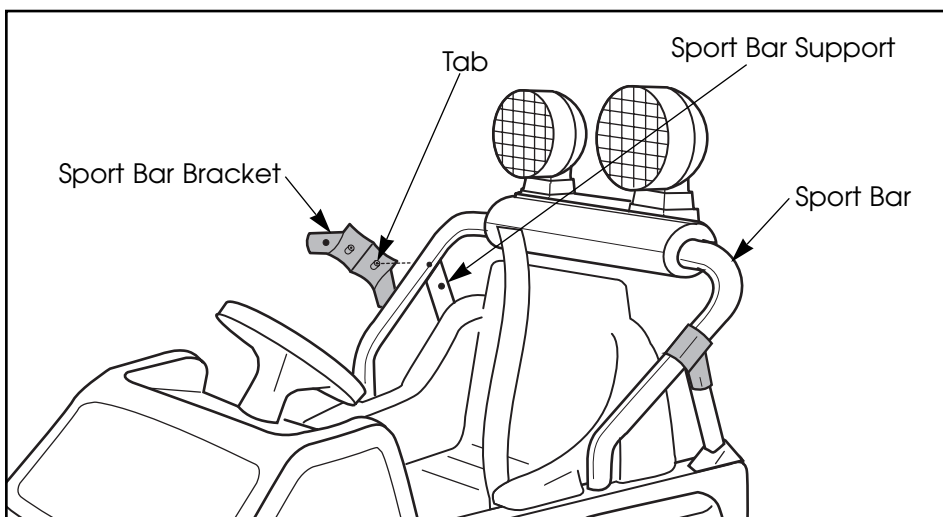
22

- Push down firmly on one side of the sport bar while pulling up on the side fender to secure the sport bar in the vehicle body.
- Repeat this procedure on the other side of the sport bar.



23

- Fit a sport bar support into the hole in each sport bar foot.



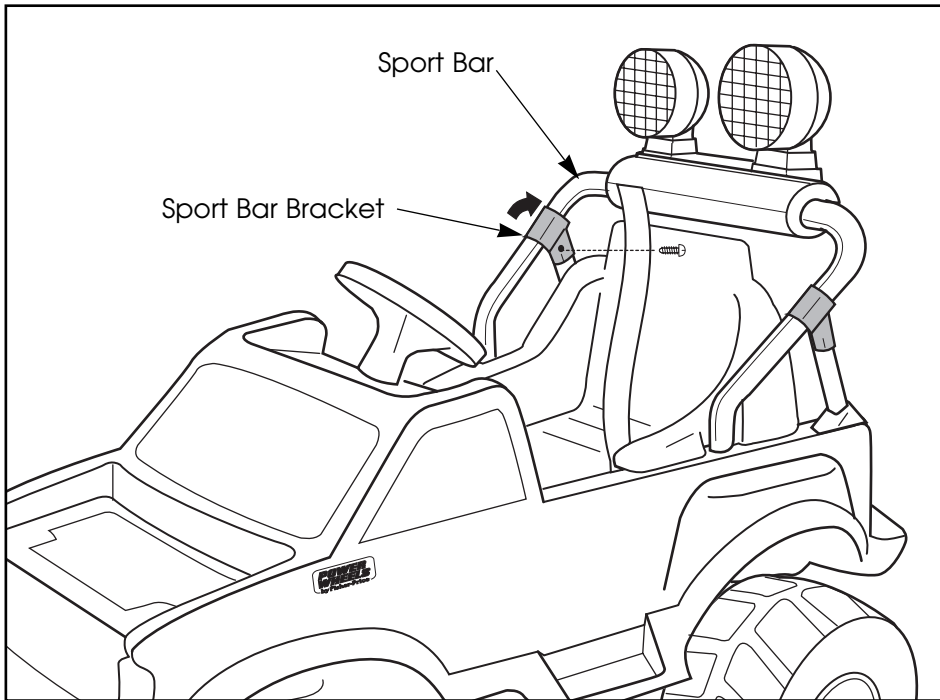
24

- Using safety scissors, remove the sport bar brackets from the plastic connector. Dispose of the plastic connector.
- Position the right sport bar bracket above the right side of the sport bar, as shown.

Please Note: The right and left sport bar brackets are NOT interchangeable.

- Insert the tab on the inside of the sport bar bracket into the hole in the outside of the sport bar. Make sure the sport bar bracket fits against the sport bar support.

Assembly

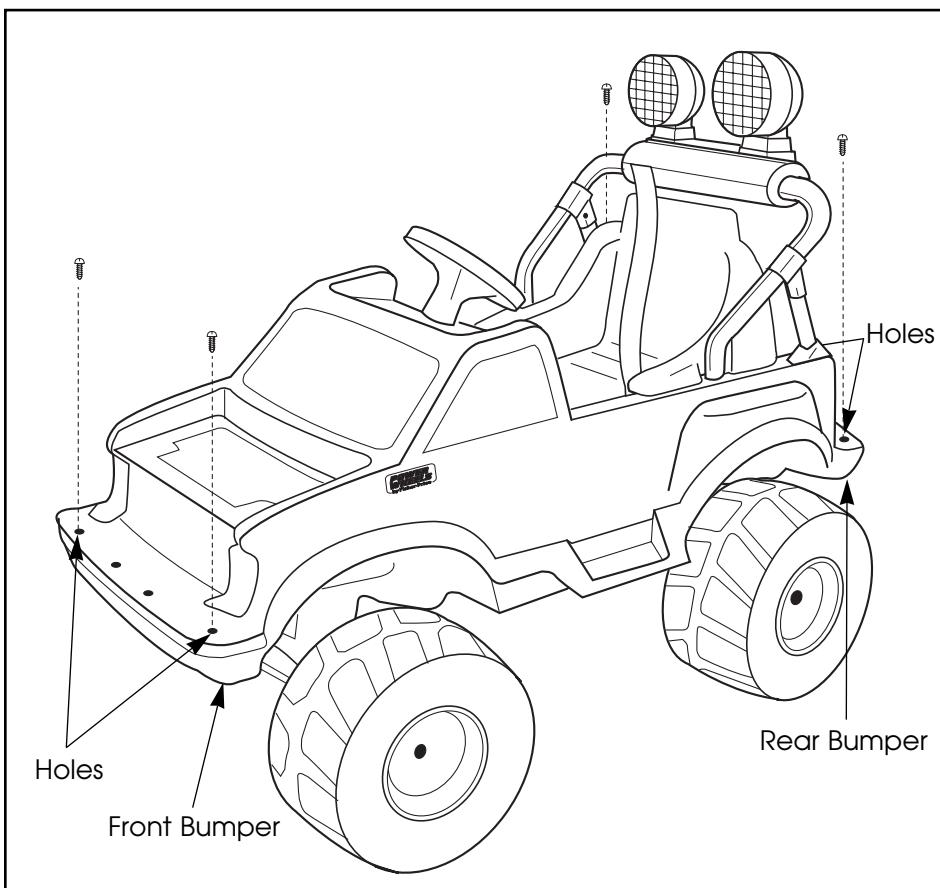


25

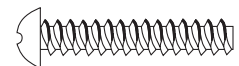


#8 x 1" Screw - 2
Shown Actual Size

- Fold the sport bar bracket over the sport bar to close it around the sport bar and sport bar support.
- Insert a #8 x 1" screw through the sport bar bracket and into the inside surface of the sport bar, as shown.
- Tighten the screw with a Phillips screwdriver. Do not over-tighten.
- Repeat steps 23 and 24 to attach the left sport bar bracket to the left side of the sport bar.



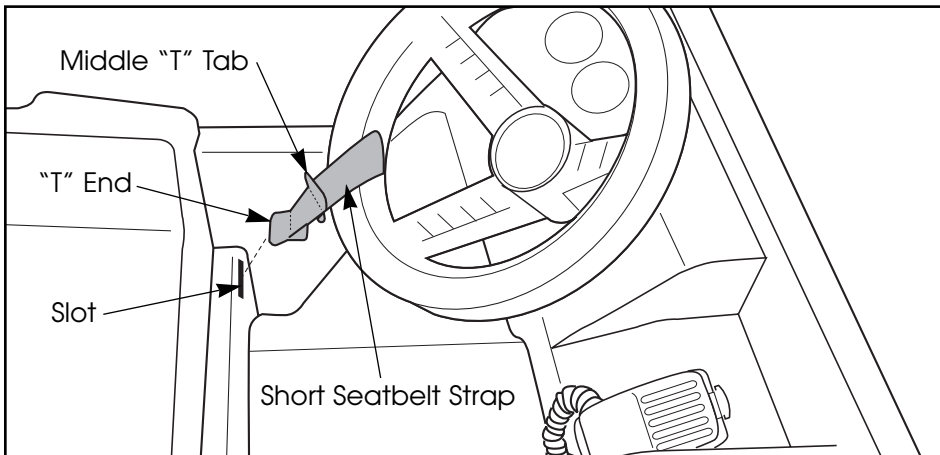
26



#8 x 1" Screw - 4
Shown Actual Size

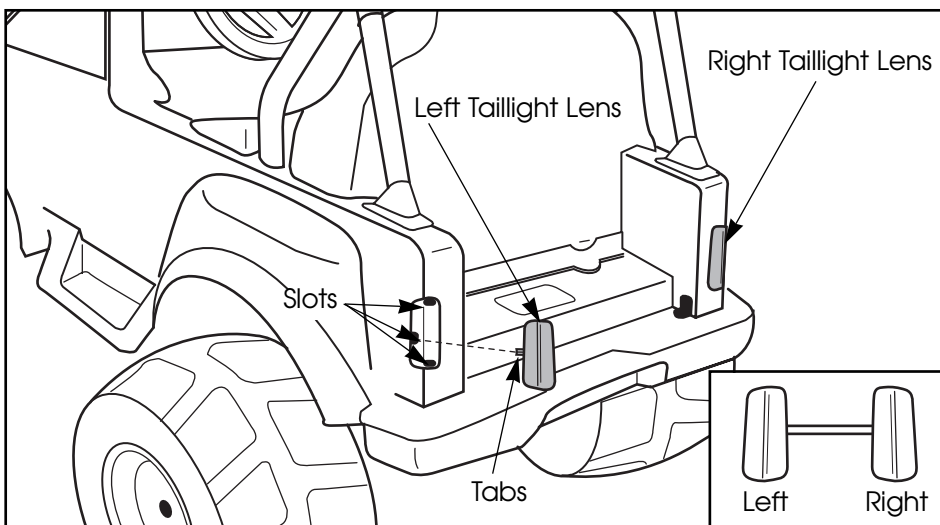
- Insert a #8 x 1" screw into each of the two outer screw holes in the top of the front bumper.
- Tighten the screws with a Phillips screwdriver. Do not over-tighten.
- Insert a #8 x 1" screw into each of the two outer screw holes in the top of the rear bumper.
- Tighten the screws with a Phillips screwdriver. Do not over-tighten.

Assembly



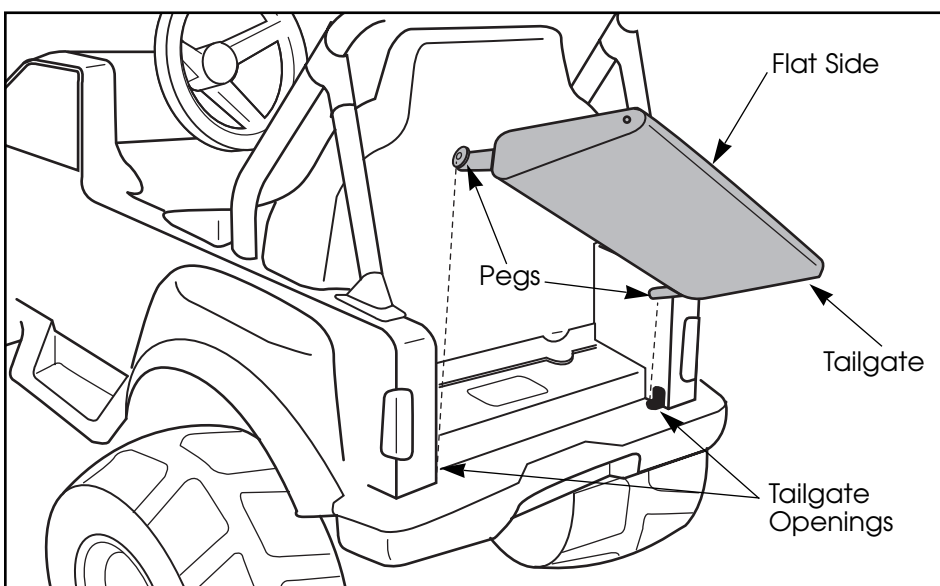
27

- With the fastener side of the short seat belt strap facing the floor of the vehicle body, insert the "T" tab at the end of the short seat belt strap into the slot in front of the seat. Do not insert the "T" tab in the middle of the strap through the slot.
- Pull up on the short seat belt strap to make sure it is properly inserted in the slot.
- Fasten the seat belt straps.



28

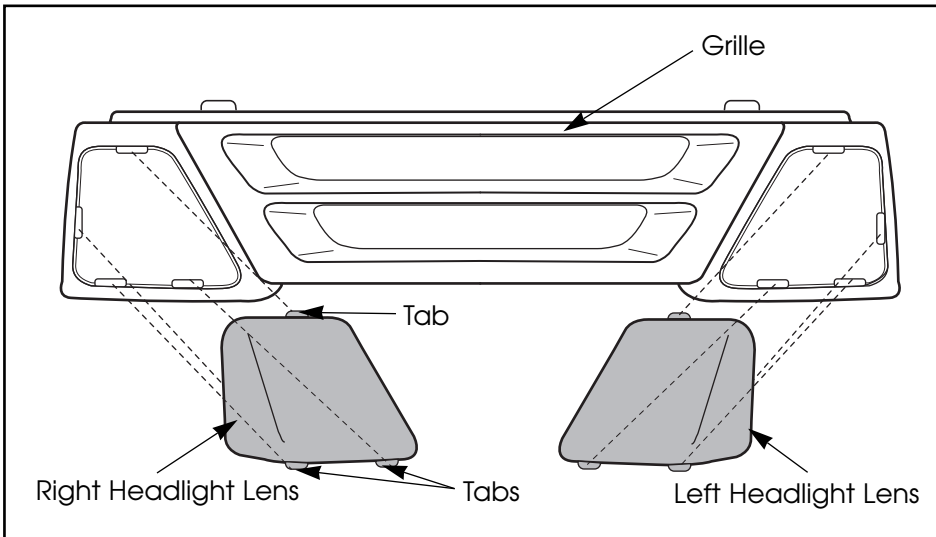
- Using safety scissors, remove the taillight lenses from the plastic connector. Dispose of the plastic connector.
 - Face the rear of the vehicle.
 - Insert the tabs on the back of the right and left taillight lenses into the taillight slots in the vehicle body.
- Please Note:** The left and right taillight lenses are NOT interchangeable.
- Press firmly to snap the tabs into the slots.



29

- Position the tailgate with the flat side facing up.
- Fit the peg on one side of the tailgate into the tailgate opening in the rear of the vehicle body.
- Slide the peg on the other side of the tailgate into the tailgate opening in the other side of the vehicle body.
- Lift the tailgate and press firmly to snap it closed.

Assembly

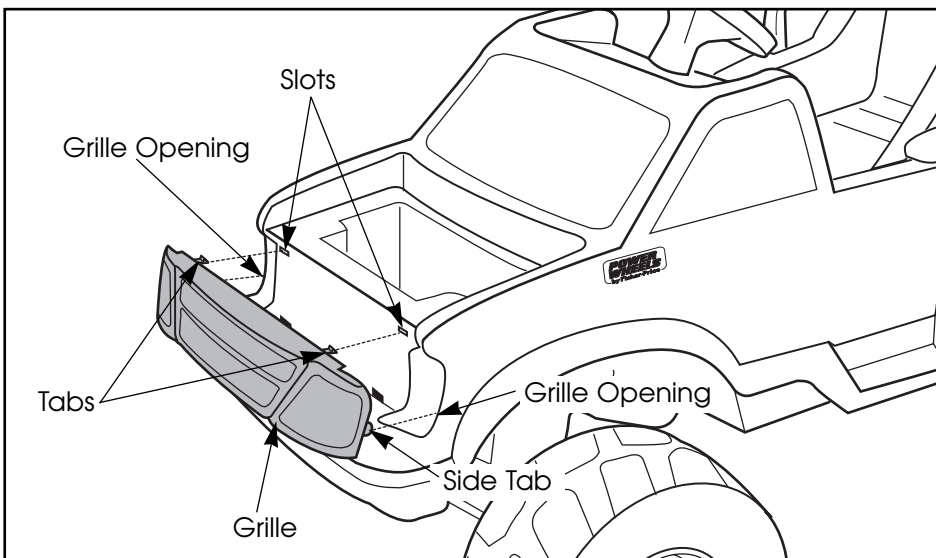


30

- Using safety scissors, remove the headlight lenses from the plastic connector. Dispose of the plastic connector.
- Align the tabs on the back of the right and left headlight lenses with the slots in the grille.

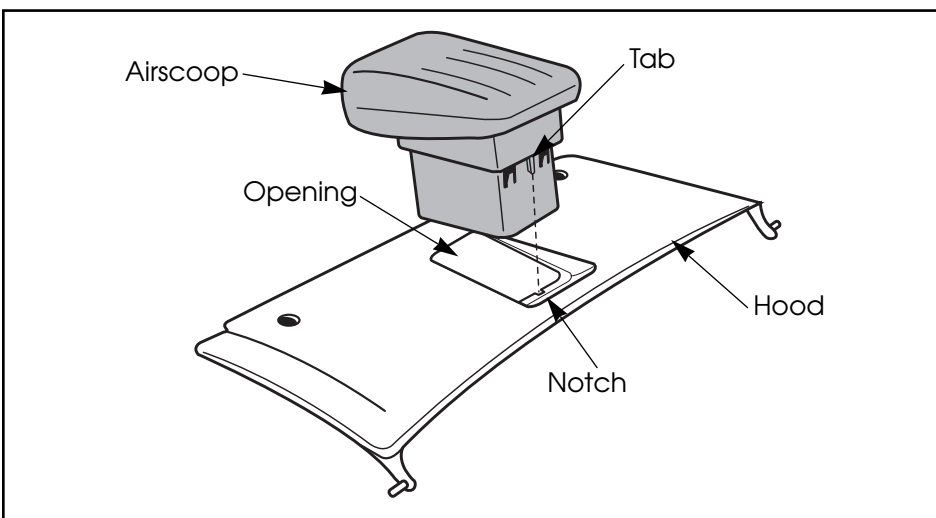
Please Note: The right and left headlight lenses are NOT interchangeable.

- Press firmly to snap the headlight lenses into the grille.



31

- Face the front of the vehicle.
- Insert the two tabs at the top of the grille into the slots in the front of the vehicle body.
- Press firmly to snap the tabs into the slots.
- Fit the two side tabs on the grille into the grille openings in the front of the vehicle body.
- Press firmly at the bottom of the grille to snap the two tabs at the bottom of the grille into the vehicle body.

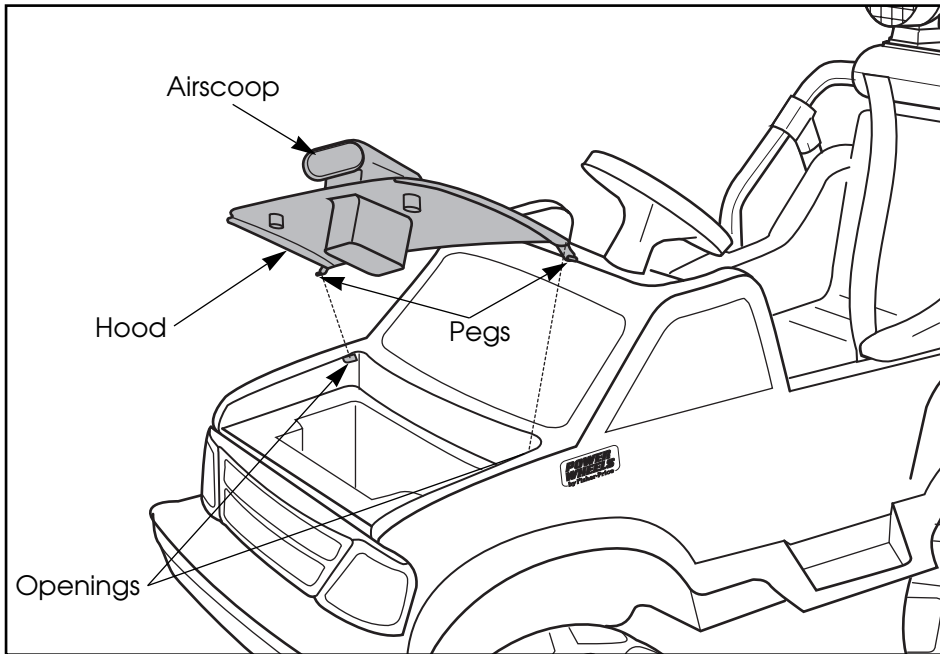


32

Please Note: For your convenience, the air scoop has been pre-assembled. If the air scoop has separated into two pieces during shipment, snap the "C" clips on the top half of the air scoop onto the hinge bar on the bottom half of the air scoop. Then, snap the front tab on the top half into the slot in the bottom half.

- Align the tab on the back of the air scoop with the notch in the hood opening and fit the air scoop into the center of the hood.
- Press firmly to snap the air scoop into the hood.

Assembly

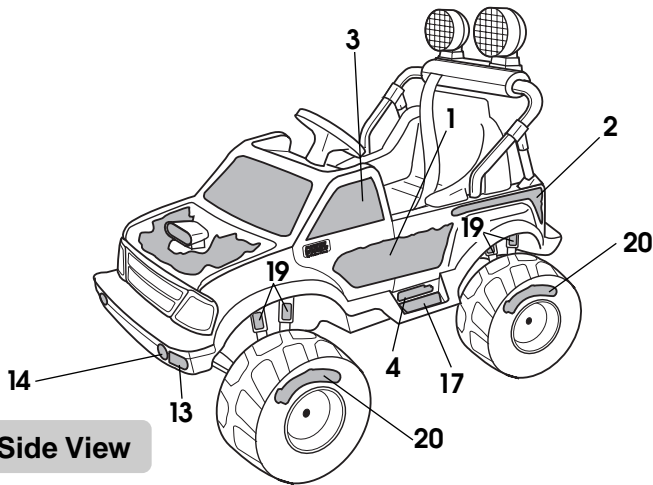


33

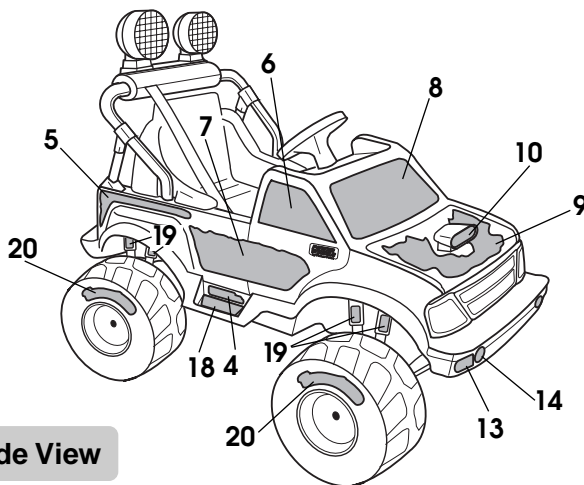
Please Note: If you have already charged your Power Wheels® Type H 6 volt batteries for at least 18 hours, you may want to install them in the battery compartment before assembling the hood. Please refer to the 6 Volt Battery Installation section on page 26 for instructions.

- Fit the peg on one side of the hood into one of the hood openings near the base of the windshield area.
- Gently bend the hood to insert the peg on the other side of the hood into the opening on the other side of the vehicle body.
- Lower the hood.

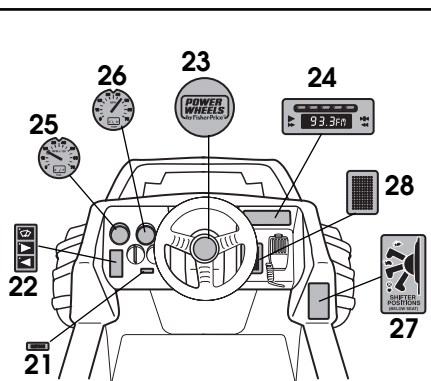
Assembly



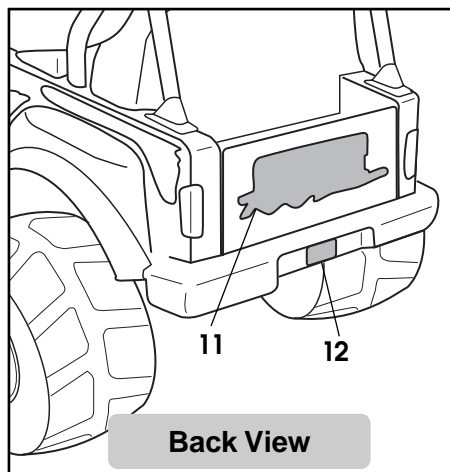
Left Side View



Right Side View



Dash View



Back View

34

Proper label application will help to keep the labels looking their best!

- Wash your hands before applying the labels.
- Make sure the areas where the labels will be applied are clean and dry. Wipe your vehicle with a clean, soft, dry cloth to remove any dust or oils.
- For best results, avoid repositioning a label once it has been applied to the vehicle.
- Place the labels as shown in the illustrations.
- After applying a label, rub the label firmly with a cloth to make sure the label is adhered to your vehicle.

Please Note: Label #16 is not used on your **Monster Sound BIGFOOT®**.

One-time assembly is now complete.

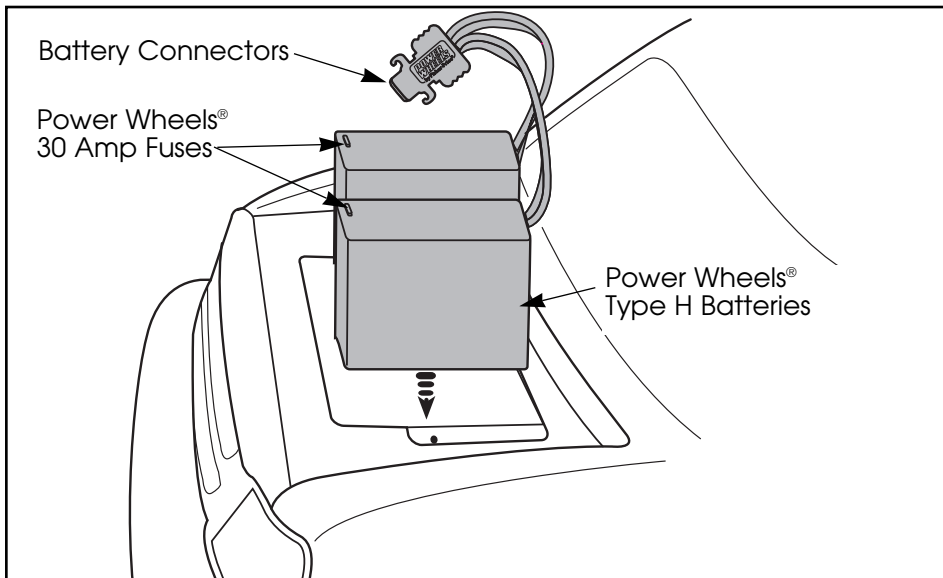
IMPORTANT NOTES:

- Please carefully read the owner's information in this manual and teach your child about proper vehicle operation and rules for safe driving before allowing him to drive this vehicle.
- For safety reasons, your vehicle has been pre-assembled so that it will only operate at low speed. Make sure that your child can safely operate this vehicle at low speed before adjusting the vehicle to run at high speed. **To disconnect high speed lock-out, please see page 33.**

G

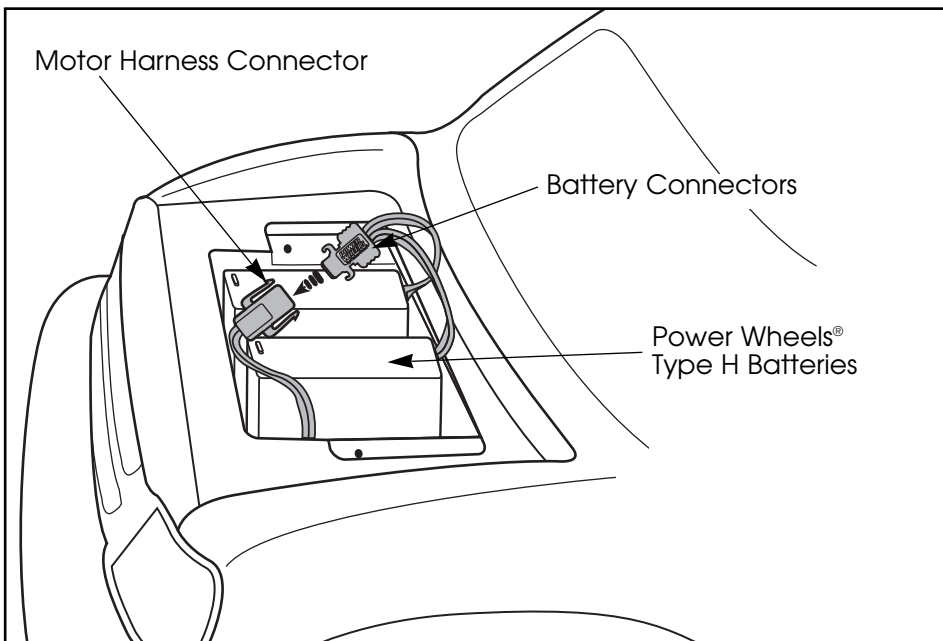
6 Volt Battery Installation

Please Note: It is easier to install the Type H 6 volt batteries before assembling the hood to your vehicle. If you have already assembled the hood to your vehicle, you may want to remove it to install the Type H 6 volt batteries.



1

- The battery compartment is located under the hood of your vehicle.
- Place both Power Wheels® Type H 6 volt batteries upright in the battery compartment. Make sure the bottoms of the 6 volt batteries are flat on the bottom of the battery compartment and that the battery connectors extend toward the rear of the vehicle.
- Make sure a Power Wheels® 30 amp fuse in good condition is installed in each of the 6 volt batteries and that the battery connectors are snapped together.

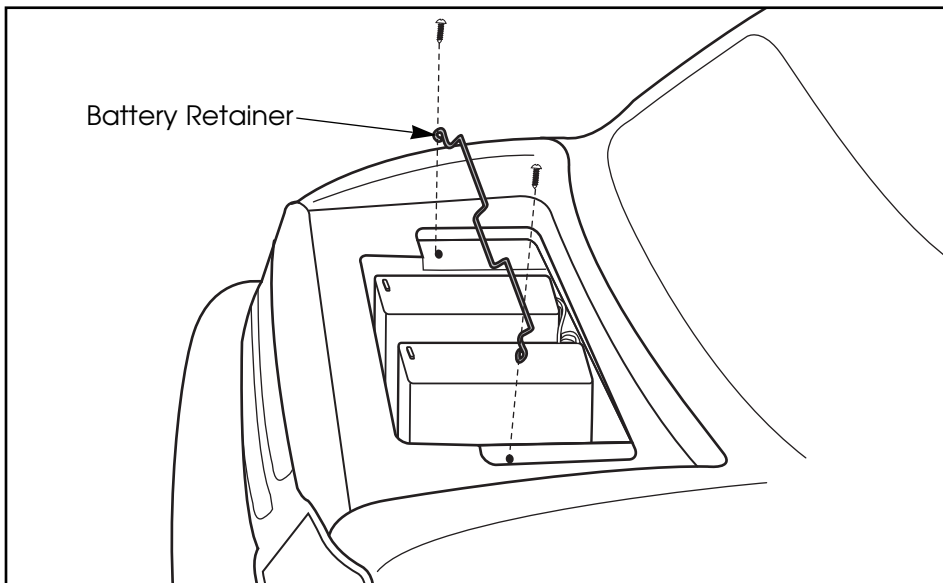


2

- Squeeze the tabs on each side of the motor harness connector.
- Plug the battery connector into the motor harness connector.

Please Note: If the battery connector will not plug into the motor harness connector, turn it over and try again! Do not force the battery connector into the motor harness connector.

6 Volt Battery Installation

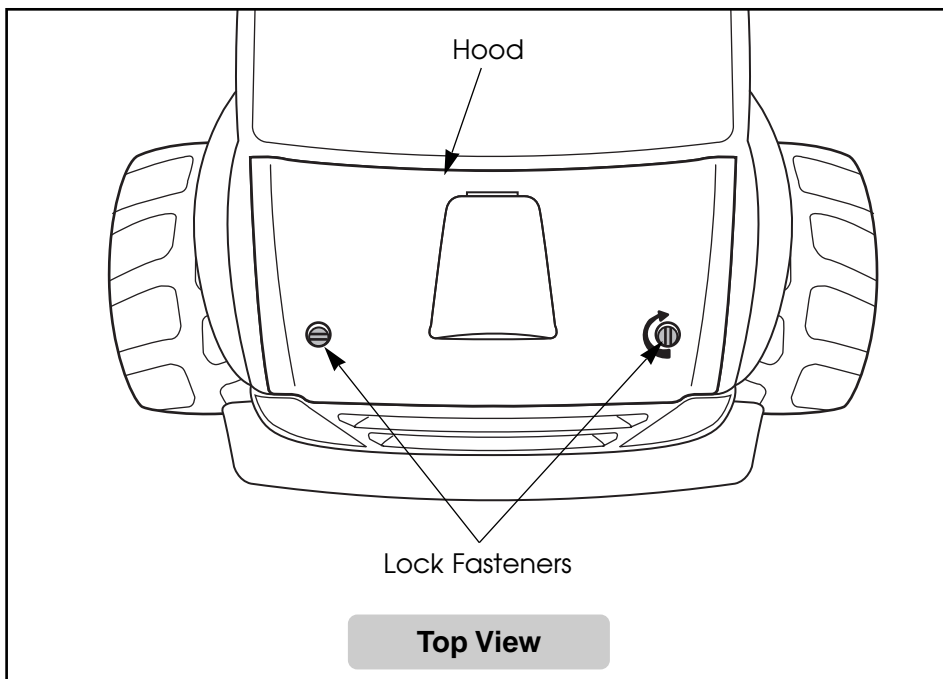


3



#8 x 1" Screw – 2
Shown Actual Size

- Position the battery retainer over the 6 volt batteries with the ends of the battery retainer aligned with the screw holes in the battery compartment.
- Insert two #8 x 1" screws through the battery retainer and into the battery compartment.
- Tighten the screws with a Phillips screwdriver. Do not over-tighten.
- Place the connectors under the battery retainer toward the rear of the battery compartment.



4

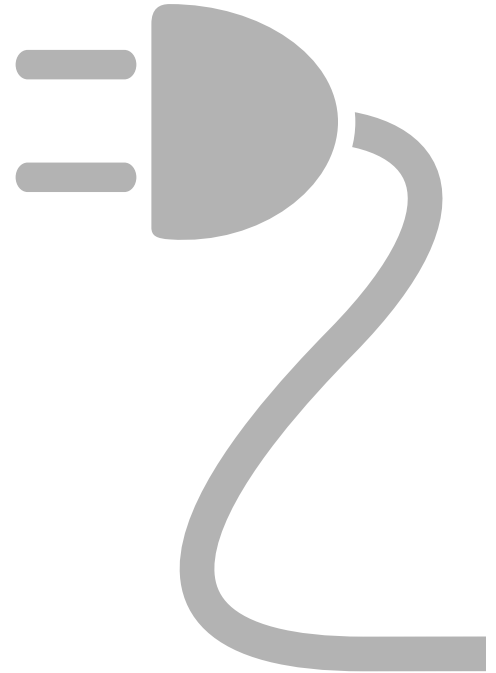
- Re-assemble the hood to the vehicle if you have removed it to install your Power Wheels Type H 6 volt batteries.
- Lower the hood.
- Face the front of the vehicle.
- Using a slotted screwdriver, rotate the lock-fasteners in the hood so that they are horizontal (⊖).
- Press down on the hood so that the lock fastener tabs on the underside of the hood fit into the lock fastener slots under the hood in the battery compartment.
- Rotate the lock fasteners clockwise 90° (1/4 turn) using a slotted screwdriver to lock the hood and prevent children from accessing the batteries (⊕).
- Lift up on the hood to make sure it is securely fastened.

H

Charging the 6 Volt Batteries

WARNING

- Batteries must be handled by adults only.
- Never allow children to charge the 6 volt batteries. Battery charging must be done by adults only. A child could be injured by the electricity involved in charging batteries.
- Use of the wrong type of battery, fuse or charger could cause a fire or explosion, resulting in serious injury.
- Never permit a child to handle batteries. The 6 volt batteries are heavy and contain sulfuric acid (electrolyte), and if dropped could result in serious injury. Read the cautions on the back panels of the 6 volt batteries.
- Never lift or carry the 6 volt batteries by the wires or connectors. This can damage the 6 volt batteries and possibly cause a fire. Lift and carry the 6 volt batteries by the cases only.
- Examine the 6 volt batteries, charger and their connectors for excessive wear or damage each time you charge the 6 volt batteries. If damage or excessive wear is detected, do not use the vehicle until you have replaced the worn or damaged parts, as it could possibly cause a fire resulting in injury.
- Never alter this vehicle or its electrical system in any way. Alterations could cause a fire resulting in injury and could also ruin the electrical system.

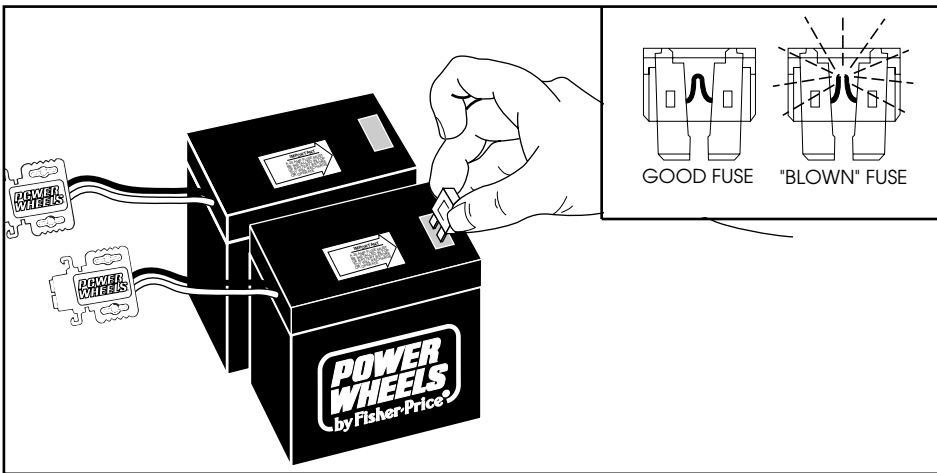


CAUTION

- Carefully read the Battery Care instructions to obtain the best battery life. Failure to follow the Battery Care instructions may permanently damage your 6 volt batteries and will void your warranty.
- Use the charger indoors only.

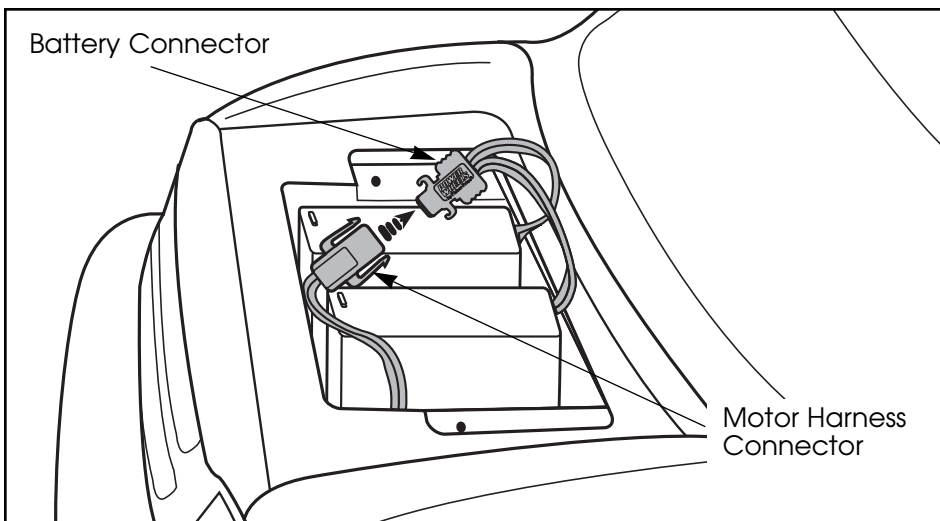
Charging the 6 Volt Batteries

Important Note: The 6 volt batteries must be upright while charging. You do not have to remove the 6 volt batteries from the vehicle to charge them.



1

- Rotate the lock fasteners in the hood counter-clockwise 90° (1/4 turn) using a slotted screwdriver to unlock the hood (⊖).
- Lift the hood to access the 6 volt batteries.
- Use pliers to remove the fuses from the 6 volt batteries.
- Look at each fuse to make sure it is not blown. If a fuse has blown, replace it with a new Power Wheels® 30 amp fuse.
- Re-insert the fuses into the 6 volt batteries before charging. The 6 volt batteries will not charge if a 30 amp fuse in good condition is not inserted into each 6 volt battery.

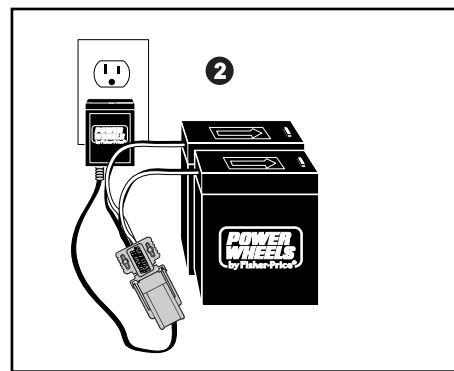
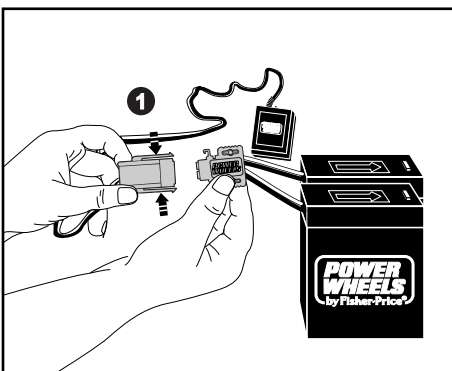


2

- Squeeze the tabs on the motor harness connector to unplug it from the battery connector.

3

- Squeeze the tabs on the charger connector to plug it into the battery connector ①.
 - Plug the charger into a standard 120 volt wall outlet ②.
- Note:** If power to the outlet is controlled by a wall switch, make sure the switch is "ON".
- Charge the 6 volt batteries a minimum of 14 hours after each use. Never charge the 6 volt batteries longer than 30 hours. Overcharging or undercharging the 6 volt batteries may shorten battery life and decrease vehicle running time.
 - Once the 6 volt batteries are charged, reconnect the battery connector and motor harness connector and lower the hood.
- Note:** Remember to lock the lock fasteners to prevent children from accessing the 6 volt batteries.



Battery Handling/Care/Disposal

WARNING

- Batteries must be handled by adults only.
- Never permit a child to handle batteries. The 6 volt batteries are heavy and contain sulfuric acid (electrolyte), and if dropped could result in serious injury. Read the cautions on the back panels of the 6 volt batteries.
- Never lift or carry the 6 volt batteries by the wires or connectors. This can damage the 6 volt batteries and possibly cause a fire. Lift and carry the 6 volt batteries by the case only.

CAUTION

- Carefully read the Battery Care instructions to obtain the best battery life. Failure to follow the Battery Care instructions may damage your 6 volt batteries and will void your warranty.

Handling

If a battery leak develops:

- Avoid contact with the leaking acid.
- Place the damaged battery in a plastic bag. See information below for proper disposal.

If acid comes in contact with skin or eyes:

- Flush with cool water for at least 15 minutes.
- Call a physician.

If acid is internally ingested:

- Give water, milk of magnesia or egg whites immediately.
- Never give emetics or induce vomiting.
- Call a physician.

Disposal

- The 6 volt sealed lead-acid batteries must be collected, recycled or disposed of in an environmentally sound manner.
- Do not dispose of lead-acid batteries in your regular, household trash. The incineration, landfilling or mixing of sealed lead-acid batteries with household trash is prohibited by law in most areas.
- Return the lead-acid batteries to a federal or state approved lead-acid battery recycler, such as a Power Wheels® Authorized Service Center or a local seller of automotive batteries. In Minnesota, call 1-800-348-0751 if further disposal information is required. Contact your local waste management officials for other information regarding the environmentally sound collection, recycling and disposal of lead-acid batteries.

Care

- Charge new 6 volt batteries for at least 18 hours before first use. Never charge the 6 volt batteries longer than 30 hours. Overcharging or undercharging the 6 volt batteries may shorten battery life and decrease vehicle running time.
- After the first charge, charge the 6 volt batteries for at least 14 hours after each use. Never charge the 6 volt batteries longer than 30 hours.
- Charge the 6 volt batteries after each use, regardless of how long the vehicle was used.
- The 6 volt batteries must be upright while charging.
- Do not allow the 6 volt batteries to run down completely before charging.
- Charge the 6 volt batteries before storing the vehicle.
- Charge the 6 volt batteries at least once per month, even if the vehicle has not been used.
- Leaving the 6 volt batteries in a discharged condition will ruin them.
- Do not store the 6 volt batteries in temperatures above 75° F or below -10° F.
- Prevent the 6 volt batteries from moving freely inside the battery compartment. Always use the battery retainer to secure the 6 volt batteries in the battery compartment.
- Examine the 6 volt batteries, charger and their connectors for excessive wear or damage each time you charge the 6 volt batteries. If damage is detected, do not use the charger or the 6 volt batteries until you have replaced the worn or damaged part.
- Attempting to charge the 6 volt batteries without fuses or with blown fuses will not damage the 6 volt batteries, but they will not charge. Check the fuses to make sure they are in good condition each time you charge the 6 volt batteries.

J

Rules for Safe Driving



WARNING

- Adult supervision is required. Children do not have the judgement necessary to avoid many accidents. Be sure that children operating this vehicle can do so safely and that they are supervised at all times.
- Never use near steps, driveways, steep inclines, roadways, alleys, swimming pool areas or other bodies of water.
- Always wear shoes or sneakers when operating or riding in this vehicle.
- Never allow more than one rider.
- The rider should sit on the seat when the vehicle is in operation.
- Improper use of this vehicle could lead to a serious or fatal accident. Allow children to play with **Monster Sound BIGFOOT**® only when you have determined that they can do so safely. Follow all instructions to help your child enjoy this vehicle as safely as possible.



CAUTION

- To avoid damaging motors and gears, do not overload the vehicle.
 - Never allow more than one child in the vehicle at one time.
 - Do not exceed the maximum weight capacity of 65 lbs.
 - Do not tow anything behind **Monster Sound BIGFOOT**®. The extra weight may overload the vehicle.
- Avoid operating the vehicle in wet or snowy conditions, and do not spray the vehicle with a hose. Do not wash the vehicle with soap and water. Water or moisture in the motors or electrical switches can cause them to corrode, and could cause switch failure.
- Avoid operating the vehicle on sand, loose dirt or gravel. Sand, loose dirt and gravel in the electrical switches or motors can cause them to jam, and could cause switch failure. Use **Monster Sound BIGFOOT**® on grass, asphalt or other hard surfaces.

Teach Safety Rules to Children

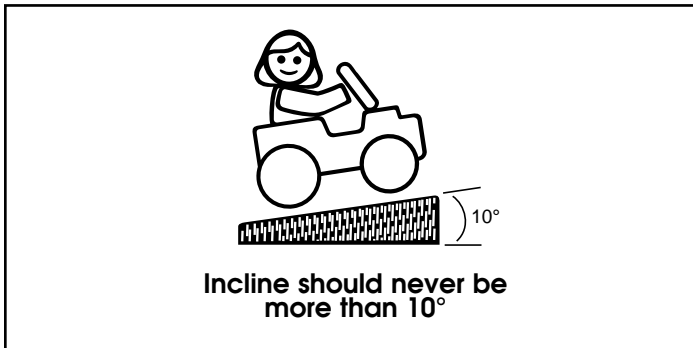
While children can quickly develop the skill necessary to drive this vehicle, it is important to remember that their judgment skills are still very immature. Unsupervised driving by children can lead to serious injury. Before children use **Monster Sound BIGFOOT**®, an adult should carefully evaluate the driving area as well as the children's skill level and ability to drive this vehicle safely. Children are not always able to recognize or anticipate hazards, even when they have been taught about them. There is no acceptable substitute for adult supervision.

Teach appropriate safety rules to your child before you allow her to operate this vehicle. These rules should also be reviewed with neighborhood children or other playmates who want to drive or ride in this vehicle.

1. Do not allow any child to drive the vehicle in the street or near moving (motorized) vehicles.
2. Do not allow any child to drive near bodies of water (such as pools or creeks), obstructions (such as furniture, low tree limbs or play equipment), or drop-offs (such as stairs or decks).
3. Do not allow any child to drive the vehicle in the dark. A child could encounter unexpected obstacles and have an accident. Operate the vehicle only in the daytime or in a well-lit area.
4. Teach your child to avoid driving on steep inclines or slopes. Restrict your child's driving to areas that are fairly level with gentle inclines or slopes of no more than 10°.
 - While driving down a steep slope, the vehicle may gain unsafe speed, even if the foot pedal is released to stop.

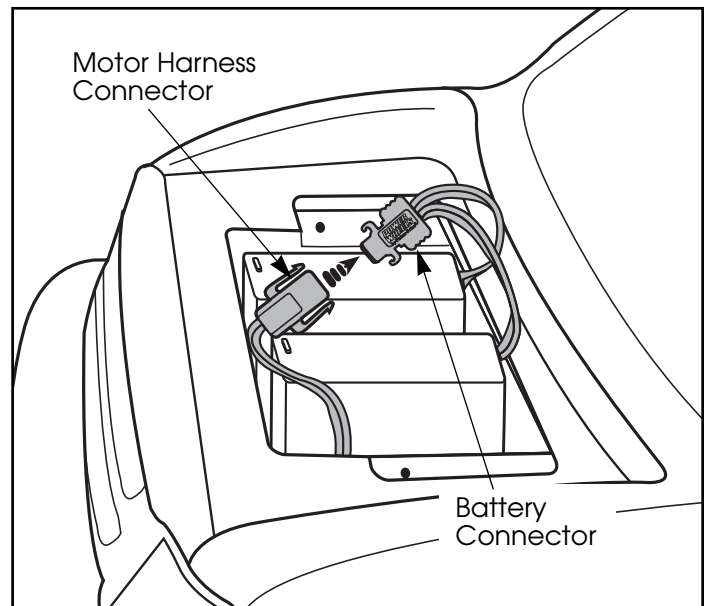
Rules for Safe Driving

- While driving across a steep slope, the vehicle may tilt and tip over. The wheels could lose traction, causing the vehicle to slip.
- While driving up a steep incline, the motor may stop and the vehicle could roll backwards at an unsafe speed.



5. Never allow more than one child in the vehicle at one time. Children who are not sitting on the seat or who are standing on the vehicle could fall off, cause a tip-over or block the driver's view. A child could be seriously injured.
6. Always wear shoes or sneakers when operating or riding in this vehicle.
7. Never put anything near any moving parts. Rotating parts such as motors, gear boxes and wheels can snag fingers, hair, etc., causing serious injury. Do not allow operation of the vehicle when it is on its side or in an upside-down position.

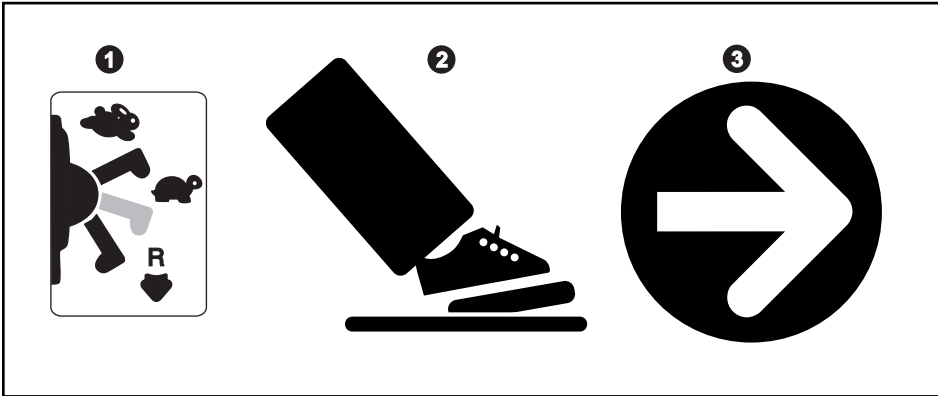
8. Do not operate the vehicle near flammable vapors (gasoline, paint thinner, acetone, liquid wax, etc.). The vehicle's electrical switches, like most electrical switches, emit an internal spark when first turned on and when turned off. The presence of flammable liquids or vapors could cause an explosion or a fire. Keep all flammable products in tightly sealed containers and away from the vehicle.
9. Do not allow a child to operate the vehicle without proper adult supervision. To prevent unsupervised use of the vehicle, disconnect the motor harness from the batteries.
 - Rotate the lock fasteners in the hood counter-clockwise 90° (1/4 turn) with a slotted screwdriver to unlock the hood (⊖).
 - Raise the hood to access the batteries.
 - Squeeze the tabs on the motor harness connector to unplug the battery connector from the motor harness connector.
 - Lower the hood and rotate the lock fasteners clockwise 90° (1/4 turn) with a slotted screwdriver to lock the hood (⊕).



K

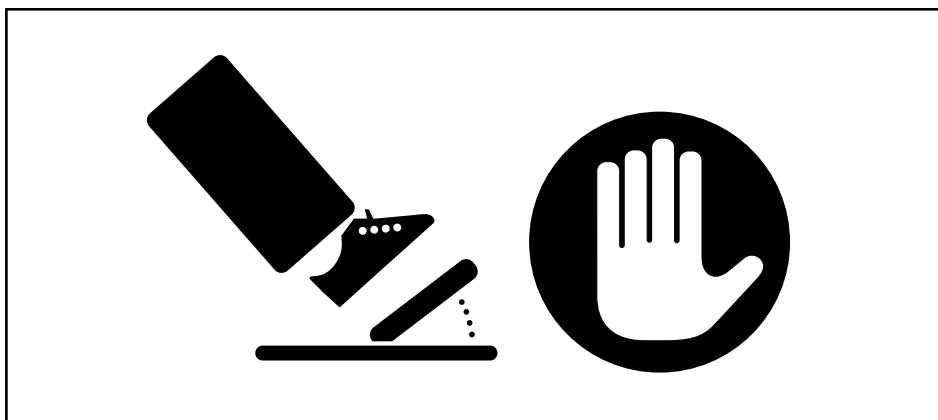
How to Operate Your Vehicle

To help your child develop the skill necessary to drive this vehicle safely, your Power Wheels® vehicle has been pre-assembled so that it will only operate in low speed (2½ mph, maximum). After your child has mastered the basic skills of driving and understands the rules for safe driving, it's time to disconnect the high-speed lock-out to allow the vehicle to operate at low (2½ mph, maximum) or high speed (5 mph, maximum). See the instructions below to disconnect the high-speed lock-out.



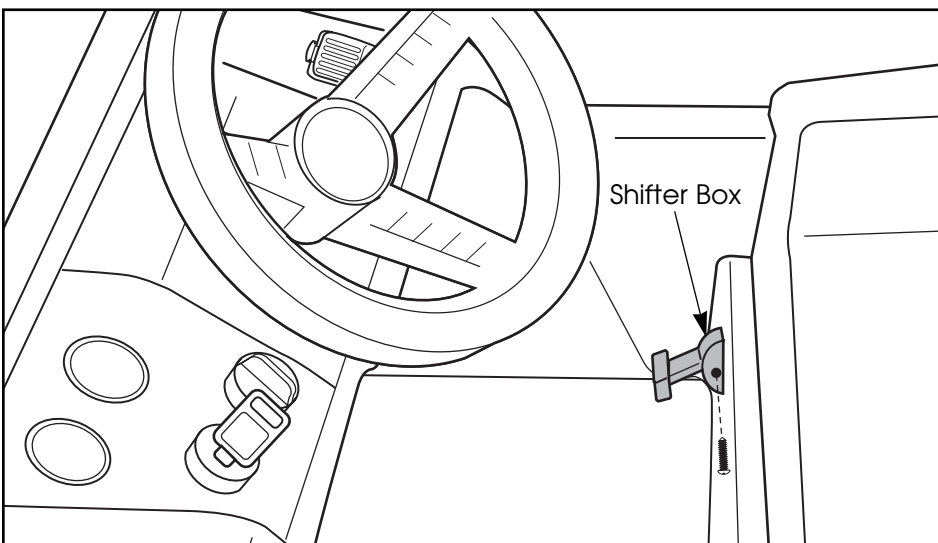
Beginner Drivers: Low Speed Forward To Drive

- Make sure the shifter is in the LOW (R) position ①.
- Press down on the foot pedal ②. The vehicle goes forward at a maximum of 2½ mph ③.
- Help your child practice steering to learn how far and how quickly to turn the steering wheel when driving forward in low speed.



To Stop

- Your **Monster Sound BIGFOOT®** has a patented, electronic braking system that automatically stops the vehicle when your child's foot is lifted from the pedal.
- Have your child practice so that he becomes familiar with low speed forward and automatically knows how to stop.

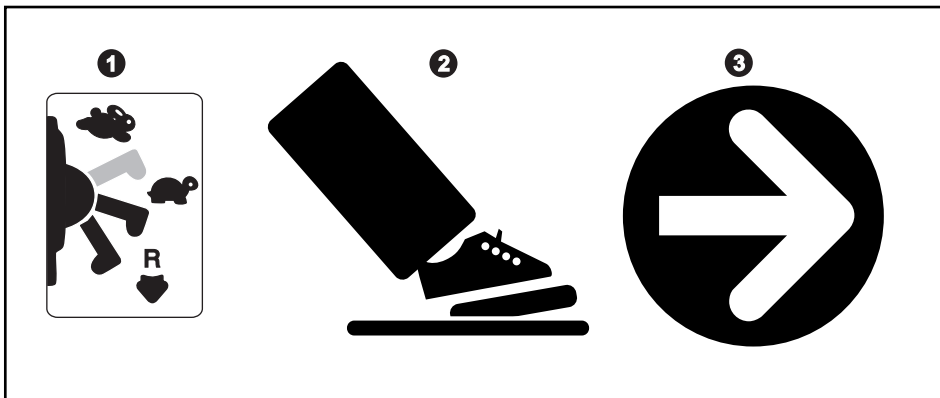


Experienced Drivers: High Speed Forward

Disconnecting the High-Speed Lock-Out

- Before you disconnect the high speed lock-out, make sure your child:
 - knows how to start and stop the vehicle easily in low speed.
 - knows how to steer.
 - knows the safety rules well.
- Make sure the shifter is in the reverse (♥) position.
- Loosen the screw in the shifter box using a Phillips screwdriver.
- Remove the screw. Keep the screw in a safe place out of children's reach for future use. You can re-insert the screw into the shifter box if you want to lock-out high speed and allow operation of the vehicle in low speed only.

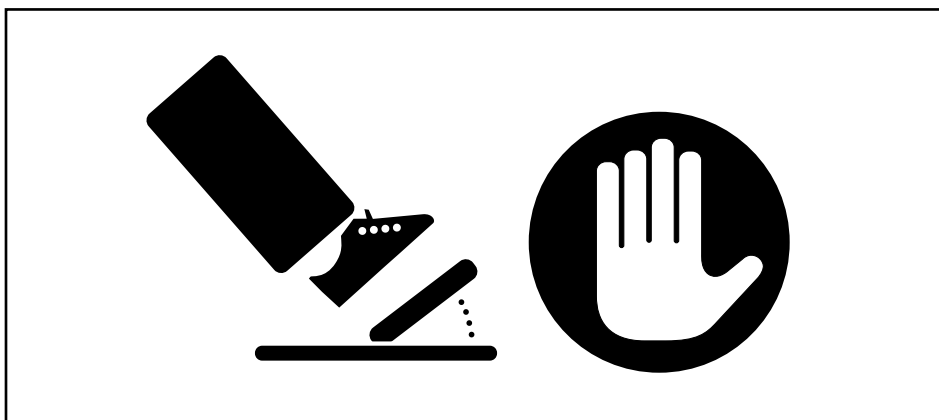
How to Operate Your Vehicle



To Drive:

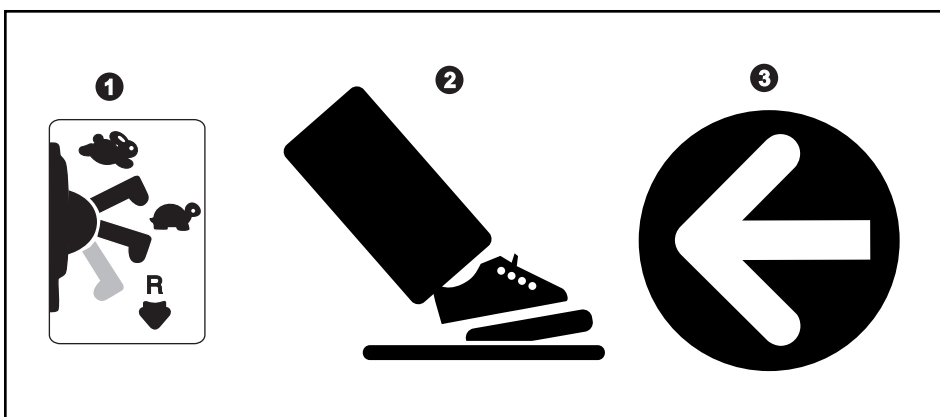
Note: To prevent damage to the motors, stop the vehicle before shifting speeds.

- Make sure the shifter is in the HIGH () position ①.
- Press down on the foot pedal ②. The vehicle goes forward at a maximum of 5 mph ③.
- Help your child practice steering to learn how far and how quickly to turn the steering wheel when driving forward in high speed.



To Stop:

- Stopping in high speed is the same as stopping in low speed. The vehicle automatically stops when your child's foot is lifted from the pedal.



Reverse

Note: To prevent damage to the motors, stop the vehicle before shifting from forward (LOW or HIGH) to reverse ().

- Once your child is completely comfortable with operating the vehicle in the forward mode (LOW or HIGH speed), introduce reverse ().

To Back Up

- Make sure the shifter is in the reverse () position ①.
- Press down on the foot pedal ②. The vehicle will go in reverse at a maximum of 2¹/₂ mph ③.
- Help your child practice steering to learn how far and how quickly to turn the steering wheel when backing up.

L

Frequently Asked Questions

Q. How often do I need to charge the 6 volt batteries?

A. Charge the 6 volt batteries for a minimum of 14 hours after each use of the vehicle or whenever the vehicle begins to slow down. When the vehicle is not in regular use, charge the 6 volt batteries at least once a month until normal use is resumed.

Q. How much riding time should I get after charging the 6 volt batteries?

A. You should get from one to three hours of riding time per charge. The riding time is affected by:

- the driving surface,
- passenger weight,
- the charge of the 6 volt batteries,
- whether the vehicle is used intermittently or continuously,
- condition of the electrical switches and connectors,
- whether the vehicle is used in low or high speed,
- the temperature.

Q. What is the life expectancy of the 6 volt batteries?

A. The life of the 6 volt batteries will vary depending on how well you follow the Charging and Battery Care instructions. It's also affected by the total number of hours the 6 volt batteries are used. Average 6 volt battery life is one to three years.

Q. Do the fuses have to be inserted into the 6 volt batteries when I'm charging?

A. Yes! The batteries must have good fuses installed when charging and during use. If the fuses are missing, blown or if you are using the wrong type of fuse, the 6 volt batteries will not charge.

Q. How can I tell if the fuses are blown?

A. Use pliers to remove the fuses from the 6 volt batteries and compare the fuses to the illustration on page 29.

Q. How can I tell if the charger is working?

A. There is no sure way to tell if your charger is working unless you have a volt meter. If you suspect there is a problem with your charger, contact your local Power Wheels® Authorized Service Center. They can test your charger for you.

Q. How and when should I store my vehicle?

A. During snowy or rainy weather, the vehicle should be stored inside or under a protective cover. Remember to charge the 6 volt batteries at least once per month while your vehicle is not in regular use.

Q. How should I care for my vehicle?

A. The vehicle can be wiped down with a soft, dry cloth. For a shiny finish, you can wipe plastic parts with a non-wax furniture polish applied to a soft cloth. Do not use automotive wax. Do not use soap and water or spray the vehicle with a hose. Check all nuts, bolts, and their protective coverings regularly and tighten as required. Check plastic parts on a regular basis for cracks or broken pieces.

To ensure that your vehicle stays in good operating order, we recommend that you periodically have your vehicle checked by a Power Wheels® Authorized Service Center. See page 40 for the list of Authorized Service Centers or call 1-800-348-0751 for the location of the Authorized Service Center nearest you.

Q. If I have a problem that I can't solve myself, what should I do?

A. Power Wheels® has over 300 Authorized Service Center locations. They can repair vehicles under warranty, or out of warranty, or sell you the proper parts for you to do the repair work. These service centers have factory-trained personnel, and use only genuine Power Wheels® replacement parts. If there is not an Authorized Service Center in your area, please call Power Wheels® Consumer Affairs toll-free at: **1-800-348-0751**.

M

Problems and Solutions Guide

IMPORTANT! If you experience a problem with your vehicle, first check the Problems and Solutions Guide below. If you still experience a problem, please contact Power Wheels® Consumer Affairs, toll-free at **1-800-348-0751** between 8 AM and 6 PM (EST) Monday through Friday. Or, contact your local Power Wheels® Authorized Service Center. For the location nearest you, please refer to the Authorized Service Center list beginning on page 40.

Problem	Possible Cause	Solution
Vehicle does not run	Undercharged batteries	Charge the batteries. New batteries should have been charged for at least 18 hours before using the vehicle for the first time. After first-time use, recharge batteries for at least 14 hours after each use. Never charge the batteries longer than 30 hours.
		Check all connectors. Make sure the battery connector is tightly plugged into the charger connector, and that the charger is plugged into the wall.
		Make sure power flow to the wall outlet is "ON".
	Wrong type or improperly installed fuse	Make sure that each battery has a properly installed Power Wheels® 30 amp fuse before charging. For best performance, do not use substitute parts.
	Blown fuses	Make sure that the fuses in the batteries are in good condition. Replace blown fuses with Power Wheels® 30 amp fuses. For best performance, do not use substitute parts.
	Loose wire or loose connectors	Check all wires and connectors. Make sure the battery connector is tightly plugged into the motor harness connector, and that there are no loose wires around the motors.
	Dead batteries	If your batteries are old or if you have not followed Battery Care instructions, your batteries may be dead. If you are unsure whether or not the batteries are dead, you can have them tested at your local Power Wheels® Authorized Service Center.
		If one or both batteries are dead, replace BOTH batteries with new Power Wheels® Type H, 6 volt batteries. (Use of a new battery with an older battery may cause permanent damage to both batteries.) For best performance, do not use substitute parts.
	Electrical switch damage	The electrical switches can become corroded due to exposure to water or moisture, or can jam due to loose dirt, sand or gravel. Contact your local Power Wheels® Authorized Service Center for diagnosis and repair.
Motor damage	Contact you local Power Wheels® Authorized Service Center for diagnosis and repair.	



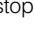
Problems and Solutions Guide

Problem	Possible Cause	Solution
Vehicle was running but suddenly stopped	Loose wire or loose connectors	Check all wires and connectors. Make sure the battery connector is tightly plugged into the motor harness connector, and that there are no loose wires around the motors.
	Wrong type or improperly installed fuse	Make sure that each battery has a properly installed Power Wheels® 30 amp fuse installed before charging. For best performance, do not use substitute parts.
	Blown fuses	Make sure that the fuses in the batteries are in good condition. Replace blown fuses with Power Wheels® 30 amp fuses. For best performance, do not use substitute parts.
	Vehicle is overloaded	Make sure you do not overload the vehicle by allowing more than 1 rider at one time, by exceeding the 65 lbs. maximum weight capacity, or by towing objects behind the vehicle. If the vehicle is overloaded, it will automatically shut down. The vehicle will reset itself after approximately 20 seconds. Reduce the load on the vehicle to prevent additional automatic shut-downs.
	Driving conditions are too stressful	Use only on gentle inclines or slopes of 10° or less. Extreme temperatures can also affect run time. If the driving conditions are too stressful, the vehicle will automatically shut down. The vehicle will reset itself after approximately 20 seconds. Adjust the driving conditions to prevent additional automatic shut-downs.
Short run time (Less than 1 hour in high speed; less than 3 hours in low speed)	Undercharged batteries	Charge the batteries. New batteries should have been charged for at least 18 hours before using the vehicle for the first time. After first-time use, recharge batteries for at least 14 hours after each use. Never charge the batteries longer than 30 hours.
		Check all wires and connectors. Make sure the battery connector is tightly plugged into the charger connector, and that the charger is plugged into the wall.
		Make sure power flow to the wall outlet is "ON".
	Overcharged batteries	Do not charge the batteries longer than 30 hours.
	Batteries are old and will not accept full charge	Even with proper care, rechargeable batteries do not last forever. Average battery life is 1 to 3 years depending on vehicle use and use conditions. Always replace batteries as a set; use of an older battery with a new battery may cause permanent damage to both batteries. Replace BOTH batteries with Power Wheels® Type H, 6 volt batteries. For best performance, do not use substitute parts.
	Wrong type or improperly installed fuse	Make sure that each battery has a properly installed Power Wheels® 30 amp fuse installed before charging. For best performance, do not use substitute parts.
	Driving conditions are too stressful	Use only on gentle inclines or slopes of 10° or less. Extreme temperatures can also affect run time. If the driving conditions are too stressful, the vehicle will automatically shut down. The vehicle will reset itself after approximately 20 seconds. Adjust the driving conditions to prevent additional automatic shut-downs.

Problems and Solutions Guide

Problem	Possible Cause	Solution
Vehicle runs sluggishly	Undercharged batteries	Charge the batteries. New batteries should have been charged for at least 18 hours before using the vehicle for the first time. After first-time use, recharge batteries for at least 14 hours after each use. Never charge the batteries longer than 30 hours.
		Check all connectors. Make sure the battery connector is tightly plugged into the charger connector, and that the charger is plugged into the wall.
		Make sure power flow to the wall outlet is "ON".
	Batteries need charging	After approximately 1 hour of constant use in high speed or 3 hours of constant use in low speed, the batteries need charging.
	Wrong type or improperly installed fuse	Make sure that each battery has a properly installed Power Wheels® 30 amp fuse installed before charging. For best performance, do not use substitute parts.
	Batteries are old and will not accept full charge	Even with proper care, rechargeable batteries do not last forever. Average battery life is 1 to 3 years depending on the vehicle use and use conditions. Always replace batteries as a set; use of an older battery with a new battery may cause permanent damage to both batteries. Replace BOTH batteries with Power Wheels® Type H, 6 volt batteries. For best performance, do not use substitute parts.
	Vehicle is overloaded	Make sure you do not overload the vehicle by allowing more than 1 rider at one time, exceeding the 65 lbs. maximum weight capacity, or by towing objects behind the vehicle. If the vehicle is overloaded, it will automatically shut down. The vehicle will reset itself after approximately 20 seconds. Reduce the load on the vehicle to prevent additional automatic shut-downs.
Driving conditions are too stressful	Use only on gentle inclines or slopes of 10° or less. Extreme temperatures can also affect run time. If the driving conditions are too stressful, the vehicle will automatically shut down. The vehicle will reset itself after approximately 20 seconds. Adjust the driving conditions to prevent additional automatic shut-downs.	
Vehicle runs in low speed, but does not run in high speed (Please Note: The vehicle is designed to operate in low speed only in reverse (REV).)	High speed lock-out not disconnected	The vehicle was pre-assembled to run only in low speed. To allow the vehicle to run in low and high speed, you must disconnect the High Speed Lock-Out. Follow the instructions on page 33 to disconnect the High Speed Lock-Out.
When the foot pedal is pressed, only one rear wheel turns	Operation of vehicle in low speed with both rear wheels off the ground	It is possible that only one rear wheel may spin when both rear wheels are raised off the ground and the vehicle is in low speed. This does not necessarily indicate a problem. Check for proper operation of the drive system by raising the rear wheels off the ground and pressing the foot pedal. If only one rear wheel spins, carefully press your hand on the spinning wheel to slow it down. The other rear wheel should begin to spin. If the other rear wheel does not begin to spin, there may be a problem with the vehicle. Contact your local Power Wheels® Authorized Service Center for diagnosis and repair.

Problems and Solutions Guide

Problem	Possible Cause	Solution
Sometimes the vehicle doesn't run, but other times it does	Loose wire or connector	Check all wires around the motors and all connectors to make sure they are tight.
	Motor or electrical switch damage	Contact your local Power Wheels® Authorized Service Center for diagnosis and repair.
When the foot pedal is pressed, the vehicle won't run without a push	Loose wire or connector	Check all wires around the motors and all connectors to make sure they are tight.
	"Dead Spot" on motor	Contact your local Power Wheels® Authorized Service Center for diagnosis and repair.
Vehicle constantly blows fuses 30 amp	Wrong type of fuse used	Monster Sound BIGFOOT® requires two Power Wheels® fuses, one in each battery. Make sure Power Wheels® 30 amp fuses are properly installed in the batteries. For best performance, do not use substitute parts.
	Child is switching speeds or switching from forward (LOW  or HIGH ) to reverse () without stopping	Teach your child to stop the vehicle before switching speeds and before switching from forward to reverse.
		Replace blown fuses with Power Wheels® 30 amp fuses. For best performance, do not use substitute parts.
Loud clacking or grinding noise from a motor-gearbox	Broken gears	Contact your local Power Wheels® Authorized Service Center for diagnosis and repair.
Charger gets warm during use	It is normal for some chargers to get warm during use and is not reason for concern. Some chargers do not get warm during use.	No action required.
		If your charger does not get warm during use, it does not mean that it is not working properly.
Batteries make a sizzling or gurgling noise when charging	It is normal for some batteries to make noise and swell slightly while charging and is not reason for concern. Some batteries do not make noise or swell while charging.	No action required.
		If your batteries do not make noise or swell slightly during charging, it does not mean that they are not accepting the charge.
No Sound	Improperly installed LR6 "AA" batteries in sound box	Check battery orientation. Make sure batteries are inserted as shown on the sound box battery compartment door.
	Dead LR6 "AA" batteries	Insert three new size LR6 "AA" alkaline batteries in the sound box as shown on the sound box battery compartment door.
Sound is faint	Weak batteries	Insert three new size LR6 "AA" alkaline batteries in the sound box as shown on the sound box battery compartment door.

If, after reviewing the Problems and Solutions Guide, the vehicle still fails to operate, please contact your nearest Authorized Service Center (see page 40) or contact Power Wheels Consumer Affairs toll-free at **1-800-348-0751**.

Helpful Hint: For faster service when calling Consumer Affairs, completely charge the batteries before calling and have the following available by the phone:

- vehicle,
- vehicle model number (see sticker in battery compartment),
- vehicle production run number (see sticker in battery compartment),
- Phillips screwdriver, slotted screwdriver and needle-nose pliers with plastic or rubber handles,
- extra Power Wheels® 30 amp fuses are helpful.

N

Statement of Limited Warranty

90-day limited warranty for the Power Wheels® Ride-On Toy Vehicle

A 6-month battery warranty applying only to those 6 volt batteries which were included by Power Wheels®, with the Power Wheels® vehicle when originally purchased.

This limited warranty covers the Power Wheels® ride-on vehicle and the 6 volt batteries, purchased from Power Wheels® by the original purchaser, against defects in materials and workmanship.

This warranty covers normal use and does not cover the Power Wheels® vehicle or batteries if damaged by unreasonable use, neglect, accident, abuse, misuse, improper service or other causes not arising out of defects in materials or workmanship. Evidence of any attempt at consumer repair will void this warranty. This warranty does not cover, and is intended to exclude, any liability on the part of Power Wheels®, whether

under this warranty or implied by law or any indirect or consequential damages for breach of warranty. Some states do not allow the exclusion or limitation so this limitation may not apply to you.

Should you need service or assistance with your vehicle during the warranty period, DO NOT RETURN THE VEHICLE TO THE STORE. Power Wheels® has provided a nationwide network of Authorized Service Centers. Please refer to the list in this manual. Power Wheels® is continually expanding our Authorized Service Center network. If there is not an Authorized Service Center in your area, please call Consumer Affairs for information, 1-800-348-0751.

This warranty gives you specific legal rights, and you may also have other rights which may vary from state to state.

PLEASE SAVE YOUR ORIGINAL SALE'S RECEIPT.

O

Authorized Service Centers

We are continually expanding our Authorized Service Center Network. Please check this listing for the Authorized Service Center nearest you. If there is not one in your area, please call Power Wheels® Consumer Affairs at 1-800-348-0751.

ALABAMA

BIRMINGHAM - Frigid Service & Sales, 701 Graymont Ave. North, 35203, (205) 323-5831
BIRMINGHAM - Frigid Service & Sales, 1861 Centerpoint Rd., 35215, (205) 853-3952
BIRMINGHAM (HOMEWOOD) - D & R Appliance Company, 154 West Valley Ave., 35209, (205) 942-3959
CULLMAN - Robert G. Werner Company, 1115 4th Street S.W., 35055, (205) 734-5673
DECATUR - Peddler II, 1000 B Beltline Road, 35603, (205) 350-1044
DOTHAN - Bill's Appliance Service, 208 Bic Road, P.O. Box 1192, 36303, (334) 792-7746
DOUGLAS - Brown Hardware, Highway 75, 35964, (205) 593-6086
HUNTSVILLE - C & G Appliance, 307 Jordan Lane, 35805, (205) 837-4551
MOBILE - Foster's Appliance Repair, 1660 South Beltline Hwy., 36693, (205) 666-2670
MONTGOMERY - Acme Service Co., 2603 Highland Ave., 36107, (205) 264-2456, (800) 285-2160
TUSCALOOSA (NORTHPORT) - Frigid Service & Sales, 2813 Lurleen B. Wallace Blvd., 35476, (205) 339-3624

ALASKA

ANCHORAGE - Ken's Electronics Service, 360 E. International, Ste. 8, 99518, (907) 562-3443

ARIZONA

GLENDALE - Elliott Electric Appliance Service, 6242 N. 43rd Avenue, 85301, (602) 937-2613
SCOTTSDALE - Elliott Electric, 7515 E. McDowell Road, 85257, (602) 946-7487

ARKANSAS

FT. SMITH - Bromley Appliance Service, 614 North 10th Street, 72901, (501) 782-9646
HOT SPRINGS - The Battery Center, 400 Airport Road, 71913, (501) 624-7144
JONESBORO - Best Sewing & Vacuum & Repair, 2235 S. Caraway Road, 72401, (501) 935-4739, (800) 844-4739
LITTLE ROCK - C & W Tool Repair, 1303 W. Markham, 72201, (501) 374-1911
MENA - Bearcat Starter & Alt., 801 Petros, 71953, (501) 394-0320
ROGERS - Kressel's Vacuum & Repair, 115 North 5th Street, 72756, (501) 636-7894
STUTT GART - Davis Lumber Company, 301 East Michigan, 72160, (501) 673-3601

CALIFORNIA

BAKERSFIELD - Southwest TV, 6300 White Lane, Suite B, 93309, (805) 397-4940
CONCORD - California Electric Service Center, 1170-G Burnett Avenue, 94520, (510) 827-1011
COVINA - California Electric Service Center, 612 Shoppers Lane, 91723, (818) 915-4935
DUBLIN - California Electric Service Center, 6759 Sierra Court, Suite B, 94568, (510) 551-3390
FONTANA - California Electric Service Center, 9794 Sierra Avenue, 92335, (909) 355-2500
FORT JONES - Ft. Jones Frontier Hardware, 11911 Main Street, 96032, (916) 468-2266
FRESNO - Valley Small Appliance, 4005 E. Ashlan Avenue, 93726, (209) 224-5530
FULLERTON - California Electric Service Center, 1208 E. Ash Avenue, 92631-5020, (714) 870-0900
LOS ALAMITOS - California Electric Service Center, 11284 Los Alamitos Blvd., 90720, (310) 430-2668
MERCED - Moosehead Electronics, 920 W. 18th Street, 95340, (209) 723-4712
MISSION VIEJO - California Electric Service Center, 23725 Via Fabricante, Unit B, 92691, (714) 586-9440
OAKLAND - California Electric Service Center, 1139 E. 12th Street, 94606, (510) 834-1050
OXNARD - Terry's Inc., The Clean-up Store, 1237 Saviers Road, 93033, (805) 487-9401, (800) 845-3223
PASADENA - California Electric Service Center, 2594 E. Colorado Blvd., 91107, (818) 792-3194
SACRAMENTO - California Electric Service Center, 1821 "Q" Street, 95814, (916) 443-5711
SAN CARLOS - California Electric Service Center, 990 Industrial Road, Suite 102, 94070, (415) 593-6696
SAN DIEGO - California Electric Service Center, 3430 El Cajon Blvd., 92104, (619) 283-6488
SAN FRANCISCO - California Electric Service Center, 1090 Bryant Street, 94103, (415) 431-8494
SAN JOSE - California Electric Service Center, 783 The Alameda, 95126, (408) 295-1723
SANTA ANA - California Electric Service Center, 2025 South Main Street, 92707, (714) 641-0529
SANTA ROSA - Hardisty's Inc., 710 Farmers Lane, 95405, (707) 545-0535
STOCKTON - California Electronics, 929 North Yosemite Street, 95203, (209) 466-5432
TEMECULA - California Electric Service Center, 41715 Enterprise Circle North, Suite 101, 92590, (909) 695-5445
VAN NUYS - California Electric Service Center, 14753 Oxnard Blvd., 91411, (818) 997-8855

Authorized Service Centers

ALABAMA

BIRMINGHAM - Frigid Service & Sales, 701 Graymont Ave. North, 35203, (205) 323-5831
BIRMINGHAM - Frigid Service & Sales, 1861 Centerpoint Rd., 35215, (205) 853-3952
BIRMINGHAM (HOMEWOOD) - D & R Appliance Company, 154 West Valley Ave., 35209, (205) 942-3959
CULLMAN - Robert G. Werner Company, 1115 4th Street S.W., 35055, (205) 734-5673
DECATUR - Peddler II, 1000 B Beltline Road, 35603, (205) 350-1044
DOTHAN - Bill's Appliance Service, 208 Bic Road, P.O. Box 1192, 36303, (334) 792-7746
DOUGLAS - Brown Hardware, Highway 75, 35964, (205) 593-6086
HUNTSVILLE - C & G Appliance, 307 Jordan Lane, 35805, (205) 837-4551
MOBILE - Foster's Appliance Repair, 1660 South Beltline Hwy., 36693, (205) 666-2670
MONTGOMERY - Acme Service Co., 2603 Highland Ave., 36107, (205) 264-2456, (800) 285-2160
TUSCALOOSA (NORTHPORT) - Frigid Service & Sales, 2813 Lurleen B. Wallace Blvd., 35476, (205) 339-3624

ALASKA

ANCHORAGE - Ken's Electronics Service, 360 E. International, Ste. 8, 99518, (907) 562-3443

ARIZONA

GLENDALE - Elliott Electric Appliance Service, 6242 N. 43rd Avenue, 85301, (602) 937-2613
SCOTTSDALE - Elliott Electric, 7515 E. McDowell Road, 85257, (602) 946-7487

ARKANSAS

FT. SMITH - Bromley Appliance Service, 614 North 10th Street, 72901, (501) 782-9646
HOT SPRINGS - The Battery Center, 400 Airport Road, 71913, (501) 624-7144
JONESBORO - Best Sewing & Vacuum & Repair, 2235 S. Caraway Road, 72401, (501) 935-4739, (800) 844-4739
LITTLE ROCK - C & W Tool Repair, 1303 W. Markham, 72201, (501) 374-1911
MENA - Bearcat Starter & Alt., 801 Petros, 71953, (501) 394-0320
ROGERS - Kressel's Vacuum & Repair, 115 North 5th Street, 72756, (501) 636-7894
STUTT GART - Davis Lumber Company, 301 East Michigan, 72160, (501) 673-3601

CALIFORNIA

BAKERSFIELD - Southwest TV, 6300 White Lane, Suite B, 93309, (805) 397-4940
CONCORD - California Electric Service Center, 1170-G Burnett Avenue, 94520, (510) 827-1011
COVINA - California Electric Service Center, 612 Shoppers Lane, 91723, (818) 915-4935
DUBLIN - California Electric Service Center, 6759 Sierra Court, Suite B, 94568, (510) 551-3390
FONTANA - California Electric Service Center, 9794 Sierra Avenue, 92335, (909) 355-2500
FORT JONES - Ft. Jones Frontier Hardware, 11911 Main Street, 96032, (916) 468-2266
FRESNO - Valley Small Appliance, 4005 E. Ashlan Avenue, 93726, (209) 224-5530
FULLERTON - California Electric Service Center, 1208 E. Ash Avenue, 92631-5020, (714) 870-0900
LOS ALAMITOS - California Electric Service Center, 11284 Los Alamitos Blvd., 90720, (310) 430-2668
MERCED - Moosehead Electronics, 920 W. 18th Street, 95340, (209) 723-4712
MISSION VIEJO - California Electric Service Center, 23725 Via Fabricante, Unit B, 92691, (714) 586-9440
OAKLAND - California Electric Service Center, 1139 E. 12th Street, 94606, (510) 834-1050
OXNARD - Terry's Inc., The Clean-up Store, 1237 Saviers Road, 93033, (805) 487-9401, (800) 845-3223
PASADENA - California Electric Service Center, 2594 E. Colorado Blvd., 91107, (818) 792-3194
SACRAMENTO - California Electric Service Center, 1821 "Q" Street, 95814, (916) 443-5711
SAN CARLOS - California Electric Service Center, 990 Industrial Road, Suite 102, 94070, (415) 593-6696,

SAN DIEGO - California Electric Service Center, 3430 El Cajon Blvd., 92104, (619) 283-6488
SAN FRANCISCO - California Electric Service Center, 1090 Bryant Street, 94103, (415) 431-8494
SAN JOSE - California Electric Service Center, 783 The Alameda, 95126, (408) 295-1723
SANTA ANA - California Electric Service Center, 2025 South Main Street, 92707, (714) 641-0529
SANTA ROSA - Hardisty's Inc., 710 Farmers Lane, 95405, (707) 545-0535
STOCKTON - California Electronics, 929 North Yosemite Street, 95203, (209) 466-5432
TEMECULA - California Electric Service Center, 41715 Enterprise Circle North, Suite 101, 92590, (909) 695-5445,
VAN NUYS - California Electric Service Center, 14753 Oxnard Blvd., 91411, (818) 997-8855

WEST LOS ANGELES - California Electric Service Center, 2314 S. Westwood Blvd., 90064, (310) 475-2532
YUCAIPA - Aire-Rite Heating & A/C, 34724 Yucaipa Blvd., 92399, (909) 797-2788

COLORADO

COLORADO SPRINGS - Nelson Appliance Repair, Inc., 1220 E. Fillmore, 80907, (719) 635-1928
DENVER - Appliance Service, 4262 Lowell Blvd., 80211, (303) 458-1109, (800) 631-0941 (CO, WY only)
DENVER (ENGLEWOOD) - Appliance Service, 3932 S. Broadway, 80110, (303) 781-1227 (800) 553-1864
GRAND JUNCTION - V & L Appliance Service, 809 North Avenue, 81501, (970) 243-3360

CONNECTICUT

HARTFORD (BLOOMFIELD) - Philips Consumer Electronics, 1294 Blue Hills Avenue, 06002, (203) 726-9612, (800) 862-2225
HARTFORD - Hartford Element & Appliance Service, 1500 Albany Avenue, 06112, (860) 246-7424, (800) 787-7977
NEW HAVEN (HAMDEN) - New Haven Appliance Service Center, 1627 Dixwell Avenue, 06514, (203) 288-6229
SHELTON - Jeff's Appliance, Inc., 500A Howe Avenue, 06484, (203) 924-8997
STAMFORD - Appliance Servicenter of Stamford, 15 Cedar Heights Road, 06905, (203) 322-7656
WATERBURY - P.J. Appliance Repair, 935 South Main Street, 06706, (203) 757-1014

DELAWARE

DOVER - Del-Mar Appliance of Delaware, 230 South Governors Avenue, 19904, (302) 674-2414, (800) 858-3424
WILMINGTON - Lyons Hardware, Inc., 2021 Kirkwood Highway, 19805, (302) 995-1260

FLORIDA

ATLANTIC BEACH - First Coast Repair, 25 Seminole Road, 32233, (904) 246-4616
DELRAY - Mister Fix It, 209 S.E. 2nd Avenue, 33483, (407) 243-9999
GAINESVILLE - Authorized Appliance Service Co., 2614 S.W. 34th Street, 32608, (904) 375-3886
HIALEAH - S-O Service Co., 925 Hialeah Drive, 33010, (305) 887-6275
HOLLY HILL - Ormond Element, 1668 Ridgewood Avenue, 32117, (904) 677-3497
JACKSONVILLE - Authorized Appliance Service Co., 6120-5 Powers Avenue, 32217, (904) 737-5312
LAKE CITY - S&S Mowers Sales & Service, Route 10, Box 9161, Hwy 47 South & MacFarland Ave., 32055, (904) 755-9375
LAKELAND - Electric Shaver & Small Appliance, 4243 S. Florida Avenue, 33813, (813) 644-4690
NORTH FORT MYERS - Family Hardware, 13817 N. Cleveland Ave., 33903, (813) 995-6161
OCALA, Vacuums, Inc., 3535 S.E. Maricamp Road, #103, 34471, (904) 694-2247
ORLANDO - Philips Consumer Electronics, 2452 Sand Lake Road, 32809, (407) 857-8998, (800) 942-6128
ORLANDO - Pine Hills Appliance Svc. Co., 6100-4 W. Colonial Drive, 32808, (407) 299-1271
ORLANDO - Southern Electric Co., 510 N. Parramore Avenue, 32801, (407) 841-8824, (800) 940-8824
PANAMA CITY, Callaway Vacuum & Sewing, 221 N. Tyndall Prkwy., 32404, (904) 763-6333

PENSACOLA - Foster's Appliance Repair, 3836 North Davis Highway, 32503, (904) 432-8853
POMPANO BEACH - Authorized Appliance Service Co., 2171 N. Dixie Highway, 33060, (305) 941-2038
POMPANO BEACH - Philips Consumer Electronics, 2099 W. Atlantic Blvd., 33069, (305) 978-0467, (800) 635-6488
PORT ST. LUCIE - Hoppe's Authorized Vac & Appliance, 6735 S. Federal Way, 34592, (407) 464-0102
ROCKLEDGE - Neelco Do-It Center, 400 Barton Blvd., 32955, (407) 639-1400
SARASOTA - Sunray Small Appliances, 8371 N. Tamiami, 34243, (941) 358-9999, (800) 895-5655
SEBRING - Sebring Do-It Center, 305 U.S. 27 North, 33870, (813) 385-2785
SPRING HILL - Crowder Bros Hardware, 5350 Spring Hill Dr., 34606, (904) 686-4743

ST. PETERSBURG - Keystone Electric, 4604 Central Avenue, 33711, (813) 321-1124
STUART - Appliance Doctors, 3166 S.E. Dixie Highway, 34997, (407) 287-6437
SUNRISE - Muller Appliance Service, 2620 N. University Drive, 33322, (305) 749-5460

TALLAHASSEE - Prescott's Ace Hardware, 4831 Kerry Forest Parkway, 32308, (904) 668-3389
TAMPA - Authorized Appliance Service Co., Dibbs Plaza, 4119 Gunn Hwy., Unit 8, 33624, (813) 968-6638
VERO BEACH - Hoppe's Authorized Vac & Appliance, 1872 Commerce Avenue, 32960, (407) 562-4466
WEST PALM BEACH - Satisfaction TV Video Service, Inc., 1701-05 Kirk Road, 33406, (407) 439-3733

GEORGIA

ATLANTA - Georgia Service Center, 5366 Buford Hwy., 30340, (770) 455-1716, (800) 455-1715
ATLANTA (MARIETTA) - Philips Consumer Electronics, 200 N. Cobb Parkway, Bldg. #100, Suite 120, 30062, (770) 795-0085
AUGUSTA - A & A Appliance Parts & Service, 1708 Walton Way, 30904, (706) 733-5163
BRUNSWICK - Arco Hardware & Supply, 3711 Community Road, 31520, (912) 267-0771
COLUMBUS - Burrell's National Appliance Service, 1728 Warm Springs Road, 31904, (706) 327-0523
MACON - Capitol Cycle Company, 1090 Washington Avenue, 31201, (912) 745-3946
SAVANNAH - Hagins Appliance Service, 3 West Victory Drive, 31405, (912) 233-8372
TIFTON - Western Auto, 354 S. Main St., 31794, (912) 382-5767

HAWAII

HONOLULU - McCully Bicycle & Sporting Goods, 932 Hausten Street, 96826, (808) 946-1192
WAILUKU (MAUI) - Tom's Appliance Sales & Service, 891 Eha Street, 96793, (808) 244-6278
WAIPAHU - Waipahu Bicycle, 94-320 Depot Street, 96797, (808) 671-4091

IDAHO

BOISE - Boise Appliance, 1503 Main Street, 83702, (208) 343-0102

ILLINOIS

CHAMPAIGN - Appliance Parts & Service Center, 905 Francois, 61821, (217) 355-0220
CHICAGO - Chicagoland Bicycle, 10126 S. Western Ave., 60643, (312) 445-0811
CHICAGO (BERWYN) - Brand Service Center, 6739 West Cermak, 60402, (708) 749-4315
CHICAGO (DOWNER'S GROVE) - Authorized Appliance Service Co., 1644 W. Ogden Avenue, 60515, (708) 852-1550, (800) 829-1798
CHICAGO (MORTON GROVE) - Brand Service Center, Inc., 5618 Dempster Street, 60053, (708) 965-5900
JACKSONVILLE - Rexx Battery Specialists, 847 South Main Street, 62650, (217) 245-2713
NASHVILLE - Kessel Hardware, 173 West St. Louis, 62263, (618) 327-8957
NILES - Household Appliance Sales & Serv., 7411 N. Milwaukee Ave., 60714, (708) 647-8250, (800) 572-6826, Fax (708) 647-2214

Authorized Service Centers

ALABAMA

BIRMINGHAM - Frigid Service & Sales, 701 Graymont Ave. North, 35203, (205) 323-5831
BIRMINGHAM - Frigid Service & Sales, 1861 Centerpoint Rd., 35215, (205) 853-3952
BIRMINGHAM (HOMEWOOD) - D & R Appliance Company, 154 West Valley Ave., 35209, (205) 942-3959
CULLMAN - Robert G. Werner Company, 1115 4th Street S.W., 35055, (205) 734-5673
DECATUR - Peddler II, 1000 B Beltline Road, 35603, (205) 350-1044
DOTHAN - Bill's Appliance Service, 208 Bic Road, P.O. Box 1192, 36303, (334) 792-7746
DOUGLAS - Brown Hardware, Highway 75, 35964, (205) 593-6086
HUNTSVILLE - C & G Appliance, 307 Jordan Lane, 35805, (205) 837-4551
MOBILE - Foster's Appliance Repair, 1660 South Beltline Hwy., 36693, (205) 666-2670
MONTGOMERY - Acme Service Co., 2603 Highland Ave., 36107, (205) 264-2456, (800) 285-2160
TUSCALOOSA (NORTHPORT) - Frigid Service & Sales, 2813 Lurleen B. Wallace Blvd., 35476, (205) 339-3624

ALASKA

ANCHORAGE - Ken's Electronics Service, 360 E. International, Ste. 8, 99518, (907) 562-3443

ARIZONA

GLENDALE - Elliott Electric Appliance Service, 6242 N. 43rd Avenue, 85301, (602) 937-2613
SCOTTSDALE - Elliott Electric, 7515 E. McDowell Road, 85257, (602) 946-7487

ARKANSAS

FT. SMITH - Bromley Appliance Service, 614 North 10th Street, 72901, (501) 782-9646
HOT SPRINGS - The Battery Center, 400 Airport Road, 71913, (501) 624-7144
JONESBORO - Best Sewing & Vacuum & Repair, 2235 S. Caraway Road, 72401, (501) 935-4739, (800) 844-4739
LITTLE ROCK - C & W Tool Repair, 1303 W. Markham, 72201, (501) 374-1911
MENA - Bearcat Starter & Alt., 801 Petros, 71953, (501) 394-0320
ROGERS - Kressel's Vacuum & Repair, 115 North 5th Street, 72756, (501) 636-7894
STUTTSGART - Davis Lumber Company, 301 East Michigan, 72160, (501) 673-3601

CALIFORNIA

BAKERSFIELD - Southwest TV, 6300 White Lane, Suite B, 93309, (805) 397-4940
CONCORD - California Electric Service Center, 1170-G Burnett Avenue, 94520, (510) 827-1011
COVINA - California Electric Service Center, 612 Shoppers Lane, 91723, (818) 915-4935
DUBLIN - California Electric Service Center, 6759 Sierra Court, Suite B, 94568, (510) 551-3390
FONTANA - California Electric Service Center, 9794 Sierra Avenue, 92335, (909) 355-2500
FORT JONES - Ft. Jones Frontier Hardware, 11911 Main Street, 96032, (916) 468-2266
FRESNO - Valley Small Appliance, 4005 E. Ashlan Avenue, 93726, (209) 224-5530
FULLERTON - California Electric Service Center, 1208 E. Ash Avenue, 92631-5020, (714) 870-0900
LOS ALAMITOS - California Electric Service Center, 11284 Los Alamitos Blvd., 90720, (310) 430-2668
MERCED - Moosehead Electronics, 920 W. 18th Street, 95340, (209) 723-4712
MISSION VIEJO - California Electric Service Center, 23725 Via Fabricante, Unit B, 92691, (714) 586-9440
OAKLAND - California Electric Service Center, 1139 E. 12th Street, 94606, (510) 834-1050
OXNARD - Terry's Inc., The Clean-up Store, 1237 Saviers Road, 93033, (805) 487-9401, (800) 845-3223
PASADENA - California Electric Service Center, 2594 E. Colorado Blvd., 91107, (818) 792-3194
SACRAMENTO - California Electric Service Center, 1821 "Q" Street, 95814, (916) 443-5711
SAN CARLOS - California Electric Service Center, 990 Industrial Road, Suite 102, 94070, (415) 593-6696,
SAN DIEGO - California Electric Service Center, 3430 El Cajon Blvd., 92104, (619) 283-6488
SAN FRANCISCO - California Electric Service Center, 1090 Bryant Street, 94103, (415) 431-8494
SAN JOSE - California Electric Service Center, 783 The Alameda, 95126, (408) 295-1723
SANTA ANA - California Electric Service Center, 2025 South Main Street, 92707, (714) 641-0529
SANTA ROSA - Hardisty's Inc., 710 Farmers Lane, 95405, (707) 545-0535
STOCKTON - California Electronics, 929 North Yosemite Street, 95203, (209) 466-5432
TEMECULA - California Electric Service Center, 41715 Enterprise Circle North, Suite 101, 92590, (909) 695-5445,
VAN NUYS - California Electric Service Center, 14753 Oxnard Blvd., 91411, (818) 997-8855
WEST LOS ANGELES - California Electric Service Center, 2314 S. Westwood Blvd., 90064, (310) 475-2532
YUCAIPA - Aire-Rite Heating & A/C, 34724 Yucaipa Blvd., 92399, (909) 797-2788

COLORADO

COLORADO SPRINGS - Nelson Appliance Repair, Inc., 1220 E. Fillmore, 80907, (719) 635-1928
DENVER - Appliance Service, 4262 Lowell Blvd., 80211, (303) 458-1109, (800) 631-0941 (CO, WY only)
DENVER (ENGLEWOOD) - Appliance Service, 3932 S. Broadway, 80110, (303) 781-1227 (800) 553-1864
GRAND JUNCTION - V & L Appliance Service, 809 North Avenue, 81501, (970) 243-3360

CONNECTICUT

HARTFORD (BLOOMFIELD) - Philips Consumer Electronics, 1294 Blue Hills Avenue, 06002, (203) 726-9612, (800) 862-2225
HARTFORD - Hartford Element & Appliance Service, 1500 Albany Avenue, 06112, (860) 246-7424, (800) 787-7977
NEW HAVEN (HAMDEN) - New Haven Appliance Service Center, 1627 Dixwell Avenue, 06514, (203) 288-6229
SHELTON - Jeff's Appliance, Inc., 500A Howe Avenue, 06484, (203) 924-8997
STAMFORD - Appliance Servicenter of Stamford, 15 Cedar Heights Road, 06905, (203) 322-7656
WATERBURY - P.J. Appliance Repair, 935 South Main Street, 06706, (203) 757-1014

DELAWARE

DOVER - Del-Mar Appliance of Delaware, 230 South Governors Avenue, 19904, (302) 674-2414, (800) 858-3424
WILMINGTON - Lyons Hardware, Inc., 2021 Kirkwood Highway, 19805, (302) 995-1260

FLORIDA

ATLANTIC BEACH - First Coast Repair, 25 Seminole Road, 32233, (904) 246-4616
DELRAY - Mister Fix It, 209 S.E. 2nd Avenue, 33483, (407) 243-9999
GAINESVILLE - Authorized Appliance Service Co., 2614 S.W. 34th Street, 32608, (904) 375-3886
HIALEAH - S-O Service Co., 925 Hialeah Drive, 33010, (305) 887-6275
HOLLY HILL - Ormond Element, 1668 Ridgewood Avenue, 32117, (904) 677-3497
JACKSONVILLE - Authorized Appliance Service Co., 6120-5 Powers Avenue, 32217, (904) 737-5312
LAKE CITY - S&S Mowers Sales & Service, Route 10, Box 9161, Hwy 47 South & MacFarland Ave., 32055, (904) 755-9375
LAKELAND - Electric Shaver & Small Appliance, 4243 S. Florida Avenue, 33813, (813) 644-4690
NORTH FORT MYERS - Family Hardware, 13817 N. Cleveland Ave., 33903, (813) 995-6161
OCALA, Vacuums, Inc., 3535 S.E. Maricamp Road, #103, 34471, (904) 694-2247
ORLANDO - Philips Consumer Electronics, 2452 Sand Lake Road, 32809, (407) 857-8998, (800) 942-6128
ORLANDO - Pine Hills Appliance Svc. Co., 6100-4 W. Colonial Drive, 32808, (407) 299-1271
ORLANDO - Southern Electric Co., 510 N. Parramore Avenue, 32801, (407) 841-8824, (800) 940-8824
PANAMA CITY, Callaway Vacuum & Sewing, 221 N. Tyndall

Prkwy., 32404, (904) 763-6333
PENSACOLA - Foster's Appliance Repair, 3836 North Davis Highway, 32503, (904) 432-8853
POMPANO BEACH - Authorized Appliance Service Co., 2171 N. Dixie Highway, 33060, (305) 941-2038
POMPANO BEACH - Philips Consumer Electronics, 2099 W. Atlantic Blvd., 33069, (305) 978-0467, (800) 635-6488
PORT ST. LUCIE - Hoppe's Authorized Vac & Appliance, 6735 S. Federal Way, 34592, (407) 464-0102
ROCKLEDGE - Neelco Do-It Center, 400 Barton Blvd., 32955, (407) 639-1400
SARASOTA - Sunray Small Appliances, 8371 N. Tamiami, 34243, (941) 358-9999, (800) 895-5655
SEBRING - Sebring Do-It Center, 305 U.S. 27 North, 33870, (813) 385-2785
SPRING HILL - Crowder Bros Hardware, 5350 Spring Hill Dr., 34606, (904) 686-4743

ST. PETERSBURG - Keystone Electric, 4604 Central Avenue, 33711, (813) 321-1124
STUART - Appliance Doctors, 3166 S.E. Dixie Highway, 34997, (407) 287-6437
SUNRISE - Muller Appliance Service, 2620 N. University Drive, 33322, (305) 749-5460

TALLAHASSEE - Prescott's Ace Hardware, 4831 Kerry Forest Parkway, 32308, (904) 668-3389
TAMPA - Authorized Appliance Service Co., Dibbs Plaza, 4119 Gunn Hwy., Unit 8, 33624, (813) 968-6638
VERO BEACH - Hoppe's Authorized Vac & Appliance, 1872 Commerce Avenue, 32960, (407) 562-4466
WEST PALM BEACH - Satisfaction TV Video Service, Inc., 1701-05 Kirk Road, 33406, (407) 439-3733

GEORGIA

ATLANTA - Georgia Service Center, 5366 Buford Hwy., 30340, (770) 455-1716, (800) 455-1715
ATLANTA (MARIETTA) - Philips Consumer Electronics, 200 N. Cobb Parkway, Bldg. #100, Suite 120, 30062, (770) 795-0085
AUGUSTA - A & A Appliance Parts & Service, 1708 Walton Way, 30904, (706) 733-5163
BRUNSWICK - Arco Hardware & Supply, 3711 Community Road, 31520, (912) 267-0771
COLUMBUS - Burrell's National Appliance Service, 1728 Warm Springs Road, 31904, (706) 327-0523
MACON - Capitol Cycle Company, 1090 Washington Avenue, 31201, (912) 745-3946
SAVANNAH - Hagins Appliance Service, 3 West Victory Drive, 31405, (912) 233-8372
TIFTON - Western Auto, 354 S. Main St., 31794, (912) 382-5767

HAWAII

HONOLULU - McCully Bicycle & Sporting Goods, 932 Hausten Street, 96826, (808) 946-1192
WAILUKU (MAUI) - Tom's Appliance Sales & Service, 891 Eha Street, 96793, (808) 244-6278
WAIPAHU - Waipahu Bicycle, 94-320 Depot Street, 96797, (808) 671-4091

IDAHO

BOISE - Boise Appliance, 1503 Main Street, 83702, (208) 343-0102

ILLINOIS

CHAMPAIGN - Appliance Parts & Service Center, 905 Francais, 61821, (217) 355-0220
CHICAGO - Chicagoland Bicycle, 10126 S. Western Ave., 60643, (312) 445-0811
CHICAGO (BERWYN) - Brand Service Center, 6739 West Cermak, 60402, (708) 749-4315
CHICAGO (DOWNER'S GROVE) - Authorized Appliance Service Co., 1644 W. Ogden Avenue, 60515, (708) 852-1550, (800) 829-1798
CHICAGO (MORTON GROVE) - Brand Service Center, Inc., 5618 Dempster Street, 60053, (708) 965-5900
JACKSONVILLE - Rexx Battery Specialists, 847 South Main Street, 62650, (217) 245-2713
NASHVILLE - Kesel Hardware, 173 West St. Louis, 62263, (618) 327-8957
NILES - Household Appliance Sales & Serv., 7411 N. Milwaukee Ave., 60714, (708) 647-8250,

Authorized Service Centers

ALABAMA

BIRMINGHAM - Frigid Service & Sales, 701 Graymont Ave. North, 35203, (205) 323-5831
BIRMINGHAM - Frigid Service & Sales, 1861 Centerpoint Rd., 35215, (205) 853-3952
BIRMINGHAM (HOMEWOOD) - D & R Appliance Company, 154 West Valley Ave., 35209, (205) 942-3959
CULLMAN - Robert G. Werner Company, 1115 4th Street S.W., 35055, (205) 734-5673
DECATUR - Peddler II, 1000 B Beltline Road, 35603, (205) 350-1044
DOTHAN - Bill's Appliance Service, 208 Bic Road, P.O. Box 1192, 36303, (334) 792-7746
DOUGLAS - Brown Hardware, Highway 75, 35964, (205) 593-6086
HUNTSVILLE - C & G Appliance, 307 Jordan Lane, 35805, (205) 837-4551
MOBILE - Foster's Appliance Repair, 1660 South Beltline Hwy., 36693, (205) 666-2670
MONTGOMERY - Acme Service Co., 2603 Highland Ave., 36107, (205) 264-2456, (800) 285-2160
TUSCALOOSA (NORTHPORT) - Frigid Service & Sales, 2813 Lurleen B. Wallace Blvd., 35476, (205) 339-3624

ALASKA

ANCHORAGE - Ken's Electronics Service, 360 E. International, Ste. 8, 99518, (907) 562-3443

ARIZONA

GLENDALE - Elliott Electric Appliance Service, 6242 N. 43rd Avenue, 85301, (602) 937-2613
SCOTTSDALE - Elliott Electric, 7515 E. McDowell Road, 85257, (602) 946-7487

ARKANSAS

FT. SMITH - Bromley Appliance Service, 614 North 10th Street, 72901, (501) 782-9646
HOT SPRINGS - The Battery Center, 400 Airport Road, 71913, (501) 624-7144
JONESBORO - Best Sewing & Vacuum & Repair, 2235 S. Caraway Road, 72401, (501) 935-4739, (800) 844-4739
LITTLE ROCK - C & W Tool Repair, 1303 W. Markham, 72201, (501) 374-1911
MENA - Bearcat Starter & Alt., 801 Petros, 71953, (501) 394-0320
ROGERS - Kressel's Vacuum & Repair, 115 North 5th Street, 72756, (501) 636-7894
STUTT GART - Davis Lumber Company, 301 East Michigan, 72160, (501) 673-3601

CALIFORNIA

BAKERSFIELD - Southwest TV, 6300 White Lane, Suite B, 93309, (805) 397-4940
CONCORD - California Electric Service Center, 1170-G Burnett Avenue, 94520, (510) 827-1011
COVINA - California Electric Service Center, 612 Shoppers Lane, 91723, (818) 915-4935
DUBLIN - California Electric Service Center, 6759 Sierra Court, Suite B, 94568, (510) 551-3390
FONTANA - California Electric Service Center, 9794 Sierra Avenue, 92335, (909) 355-2500
FORT JONES - Ft. Jones Frontier Hardware, 11911 Main Street, 96032, (916) 468-2266
FRESNO - Valley Small Appliance, 4005 E. Ashlan Avenue, 93726, (209) 224-5530
FULLERTON - California Electric Service Center, 1208 E. Ash Avenue, 92631-5020, (714) 870-0900
OAKLAND - California Electric Service Center, 11284 Los Alamitos Blvd., 90720, (310) 430-2668
MERCED - Moosehead Electronics, 920 W. 18th Street, 95340, (209) 723-4712
MISSION VIEJO - California Electric Service Center, 23725 Via Fabricante, Unit B, 92691, (714) 586-9440
OAKLAND - California Electric Service Center, 1139 E. 12th Street, 94606, (510) 834-1050
OXNARD - Terry's Inc., The Clean-up Store, 1237 Saviers Road, 93033, (805) 487-9401, (800) 845-3223
PASADENA - California Electric Service Center, 2594 E. Colorado Blvd., 91107, (818) 792-3194

SACRAMENTO - California Electric Service Center, 1821 "Q" Street, 95814, (916) 443-5711
SAN CARLOS - California Electric Service Center, 990 Industrial Road, Suite 102, 94070, (415) 593-6696
SAN DIEGO - California Electric Service Center, 3430 El Cajon Blvd., 92104, (619) 283-6488
SAN FRANCISCO - California Electric Service Center, 1090 Bryant Street, 94103, (415) 431-8494
SAN JOSE - California Electric Service Center, 783 The Alameda, 95126, (408) 295-1723
SANTA ANA - California Electric Service Center, 2025 South Main Street, 92707, (714) 641-0529
SANTA ROSA - Hardisty's Inc., 710 Farmers Lane, 95405, (707) 545-0535
STOCKTON - California Electronics, 929 North Yosemite Street, 95203, (209) 466-5432
TEMECULA - California Electric Service Center, 41715 Enterprise Circle North, Suite 101, 92590, (909) 695-5445
VAN NUYS - California Electric Service Center, 14753 Oxnard Blvd., 91411, (818) 997-8855
WEST LOS ANGELES - California Electric Service Center, 2314 S. Westwood Blvd., 90064, (310) 475-2532
YUCAIPA - Aire-Rite Heating & A/C, 34724 Yucaipa Blvd., 92399, (909) 797-2788

COLORADO

COLORADO SPRINGS - Nelson Appliance Repair, Inc., 1220 E. Fillmore, 80907, (719) 635-1928
DENVER - Appliance Service, 4262 Lowell Blvd., 80211, (303) 458-1109, (800) 631-0941 (CO, WY only)
DENVER (ENGLEWOOD) - Appliance Service, 3932 S. Broadway, 80110, (303) 781-1227 (800) 553-1864
GRAND JUNCTION - V & L Appliance Service, 809 North Avenue, 81501, (970) 243-3360

CONNECTICUT

HARTFORD (BLOOMFIELD) - Philips Consumer Electronics, 1294 Blue Hills Avenue, 06002, (203) 726-9612, (800) 862-2225
HARTFORD - Hartford Element & Appliance Service, 1500 Albany Avenue, 06112, (860) 246-7424, (800) 787-7977
NEW HAVEN (HAMDEN) - New Haven Appliance Service Center, 1627 Dixwell Avenue, 06514, (203) 288-6229
SHELTON - Jeff's Appliance, Inc., 500A Howe Avenue, 06484, (203) 924-8997
STAMFORD - Appliance Servicenter of Stamford, 15 Cedar Heights Road, 06905, (203) 322-7656
WATERBURY - P.J. Appliance Repair, 935 South Main Street, 06706, (203) 757-1014

DELAWARE

DOVER - Del-Mar Appliance of Delaware, 230 South Governors Avenue, 19904, (302) 674-2414, (800) 858-3424
WILMINGTON - Lyons Hardware, Inc., 2021 Kirkwood Highway, 19805, (302) 995-1260

FLORIDA

ATLANTIC BEACH - First Coast Repair, 25 Seminole Road, 32233, (904) 246-4616
DELRAY - Mister Fix It, 209 S.E. 2nd Avenue, 33483, (407) 243-9999
GAINESVILLE - Authorized Appliance Service Co., 2614 S.W. 34th Street, 32608, (904) 375-3886
HIALEAH - S-O Service Co., 925 Hialeah Drive, 33010, (305) 887-6275
HOLLY HILL - Ormond Element, 1668 Ridgewood Avenue, 32117, (904) 677-3497
JACKSONVILLE - Authorized Appliance Service Co., 6120-5 Powers Avenue, 32217, (904) 737-5312
LAKE CITY - S&S Mowers Sales & Service, Route 10, Box 9161, Hwy 47 South & MacFarland Ave., 32055, (904) 755-9375
LAKELAND - Electric Shaver & Small Appliance, 4243 S. Florida Avenue, 33813, (813) 644-4690
NORTH FORT MYERS - Family Hardware, 13817 N. Cleveland Ave., 33903, (813) 995-6161
OCALA - Vacuums, Inc., 3535 S.E. Maricamp Road, #103, 34471, (904) 694-2247
ORLANDO - Philips Consumer Electronics, 2452 Sand

Lake Road, 32809, (407) 857-8998, (800) 942-6128
ORLANDO - Pine Hills Appliance Svc. Co., 6100-4 W. Colonial Drive, 32808, (407) 299-1271
ORLANDO - Southern Electric Co., 510 N. Parramore Avenue, 32801, (407) 841-8824, (800) 940-8824
PANAMA CITY - Callaway Vacuum & Sewing, 221 N. Tyndall Prkwy., 32404, (904) 763-6333
PENSACOLA - Foster's Appliance Repair, 3836 North Davis Highway, 32503, (904) 432-8853
POMPANO BEACH - Authorized Appliance Service Co., 2171 N. Dixie Highway, 33060, (305) 941-2038
POMPANO BEACH - Philips Consumer Electronics, 2099 W. Atlantic Blvd., 33069, (305) 978-0467, (800) 635-6488
PORT ST. LUCIE - Hoppe's Authorized Vac & Appliance, 6735 S. Federal Way, 34592, (407) 464-0102
ROCKLEDGE - Neelco Do-It Center, 400 Barton Blvd., 32955, (407) 639-1400
SARASOTA - Sunray Small Appliances, 8371 N. Tamiami, 34243, (941) 358-9999, (800) 895-5655
SEBRING - Sebring Do-It Center, 305 U.S. 27 North, 33870, (813) 385-2785
SPRING HILL - Crowder Bros Hardware, 5350 Spring Hill Dr., 34606, (904) 686-4743

ST. PETERSBURG - Keystone Electric, 4604 Central Avenue, 33711, (813) 321-1124

STUART - Appliance Doctors, 3166 S.E. Dixie Highway, 34997, (407) 287-6437

SUNRISE - Muller Appliance Service, 2620 N. University Drive, 33322, (305) 749-5460

TALLAHASSEE - Prescott's Ace Hardware, 4831 Kerry Forest Parkway, 32308, (904) 668-3389

TAMPA - Authorized Appliance Service Co., Dibbs Plaza, 4119 Gunn Hwy., Unit 8, 33624, (813) 968-6638

VERO BEACH - Hoppe's Authorized Vac & Appliance, 1872 Commerce Avenue, 32960, (407) 562-4466

WEST PALM BEACH - Satisfaction TV Video Service, Inc., 1701-05 Kirk Road, 33406, (407) 439-3733

GEORGIA

ATLANTA - Georgia Service Center, 5366 Buford Hwy., 30340, (770) 455-1716, (800) 455-1151

ATLANTA (MARIETTA) - Philips Consumer Electronics, 200 N. Cobb Parkway, Bldg. #100, Suite 120, 30062, (770) 795-0085

AUGUSTA - A & A Appliance Parts & Service, 1708 Walton Way, 30904, (706) 733-5163

BRUNSWICK - Arco Hardware & Supply, 3711 Community Road, 31520, (912) 267-0771

COLUMBUS - Burrell's National Appliance Service, 1728 Warm Springs Road, 31904, (706) 327-0523

MACON - Capitol Cycle Company, 1090 Washington Avenue, 31201, (912) 745-3946

SAVANNAH - Hagins Appliance Service, 3 West Victory Drive, 31405, (912) 233-8372

TIFTON - Western Auto, 354 S. Main St., 31794, (912) 382-5767

HAWAII

HONOLULU - McCully Bicycle & Sporting Goods, 932 Hausten Street, 96826, (808) 946-1192

WAILUKU (MAUI) - Tom's Appliance Sales & Service, 891 Eha Street, 96793, (808) 244-6278

WAIPAHU - Waipahu Bicycle, 94-320 Depot Street, 96797, (808) 671-4091

IDAHO

BOISE - Boise Appliance, 1503 Main Street, 83702, (208) 343-0102

ILLINOIS

CHAMPAIGN - Appliance Parts & Service Center, 905 Francois, 61821, (217) 355-0220

CHICAGO - Chicagoland Bicycle, 10126 S. Western Ave., 60643, (312) 445-0811

CHICAGO (BERWYN) - Brand Service Center, 6739 West Cermak, 60402, (708) 749-4315

CHICAGO (DOWNER'S GROVE) - Authorized Appliance



Monster Sound BIGFOOT®

FOR MODEL 74420

Questions? Please call Consumer Affairs toll-free at 1-800-348-0751.

The trademark BIGFOOT is licensed from BIGFOOT 4 x 4, Inc.
St. Louis, Missouri, U.S.A.

Firestone is a registered trademark of Bridgestone/Firestone, Inc.
©1996 Fisher-Price, Inc., East Aurora, New York 14052 - All Rights Reserved

Free Manuals Download Website

<http://myh66.com>

<http://usermanuals.us>

<http://www.somanuals.com>

<http://www.4manuals.cc>

<http://www.manual-lib.com>

<http://www.404manual.com>

<http://www.luxmanual.com>

<http://aubethermostatmanual.com>

Golf course search by state

<http://golfingnear.com>

Email search by domain

<http://emailbydomain.com>

Auto manuals search

<http://auto.somanuals.com>

TV manuals search

<http://tv.somanuals.com>