



WE'VE MADE A CHANGE!

Jeep® Adventure Team
Model 74450

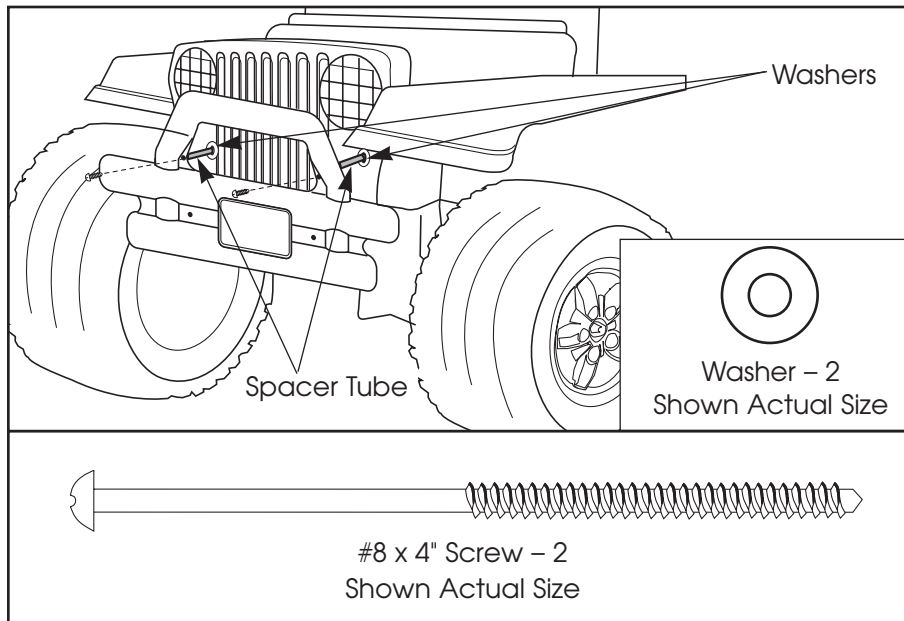
13

These instructions replace Assembly Step 13 in your Owner's Manual. Please refer to the following instructions to complete Assembly Step 13.

Jeep® Enforcer™
Model 74460

16

These instructions replace Assembly Step 16 in your Owner's Manual. Please refer to the following instructions to complete Assembly Step 16.



- Insert a #8 x 4" screw through the front of the brushguard.
- Fit a spacer tube onto the pointed end of the screw.
- Fit a washer onto the pointed end of the screw.
- Insert the screw tip into the hole in the grille.
- Tighten the screw with a Phillips screwdriver. Do not over-tighten.
- Repeat this procedure to assemble the other side of the brushguard and the remaining spacer tube to the grille.

Free Manuals Download Website

<http://myh66.com>

<http://usermanuals.us>

<http://www.somanuals.com>

<http://www.4manuals.cc>

<http://www.manual-lib.com>

<http://www.404manual.com>

<http://www.luxmanual.com>

<http://aubethermostatmanual.com>

Golf course search by state

<http://golfingnear.com>

Email search by domain

<http://emailbydomain.com>

Auto manuals search

<http://auto.somanuals.com>

TV manuals search

<http://tv.somanuals.com>