

RESCUE HEROES



Figures sold separately and subject to availability.

Fisher-Price

www.rescueheroes.com

Download from Www.Somanuals.com. All Manuals Search And Download.

CONSUMER INFORMATION

- Please keep this instruction sheet for future reference, as it contains important information.
- Requires three "AAA" (LR03) **alkaline** batteries (not included).
- Adult assembly is required.
- Tool needed for battery installation: Phillips screwdriver (not included).

Visit us on line at
www.service.fisher-price.com

Call our Consumer Relations Department, toll-free at **1-800-432-5437**, 9 AM - 7 PM EST Monday through Friday and 11 AM - 5 PM EST Saturday. Hearing-impaired consumers using TTY/TDD equipment, please call 1-800-382-7470. Write to us at:

Fisher-Price® Consumer Relations
636 Girard Avenue
East Aurora, New York 14052

For countries outside the United States:

CANADA: Questions? 1-800-432-5437. Mattel Canada Inc., 6155 Freemont Blvd., Mississauga, Ontario L5R 3W2; www.service.mattel.com.

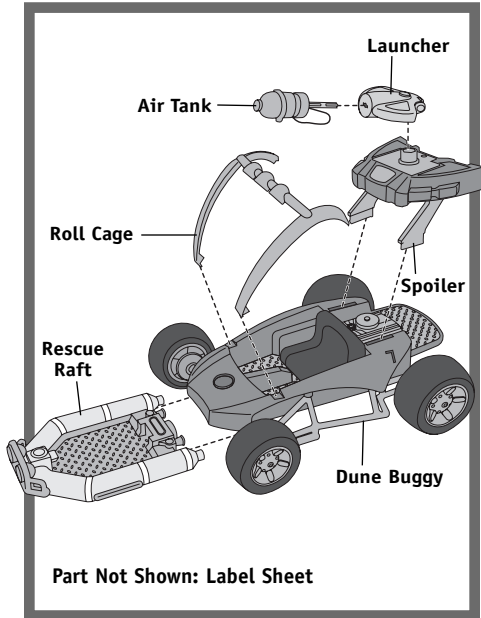
GREAT BRITAIN: Mattel UK Ltd, Vanwall Business Park, Maidenhead SL6 4UB. Helpline: 01628 500303;
www.service.mattel.com/uk.

AUSTRALIA: Mattel Australia Pty. Ltd., 658 Church Street, Locked Bag #870, Richmond, Victoria 3121 Australia. Consumer Advisory Service 1300 135 312.

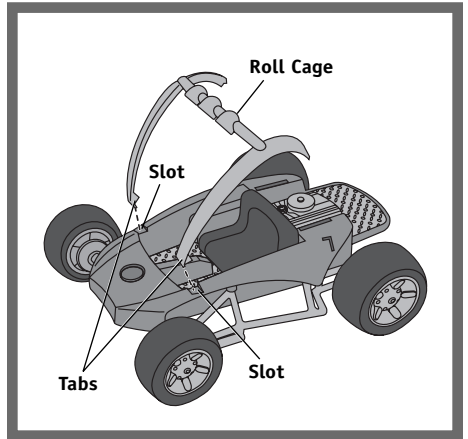
NEW ZEALAND: 16-18 William Pickering Drive, Albany 1331, Auckland.

ASIA: Mattel East Asia Ltd, Room 1106, South Tower, World Finance Centre, Harbour City, Tsimshatsui, HK, China.

PARTS

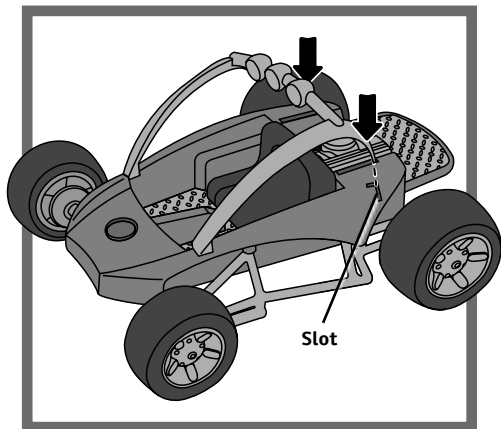


ASSEMBLY

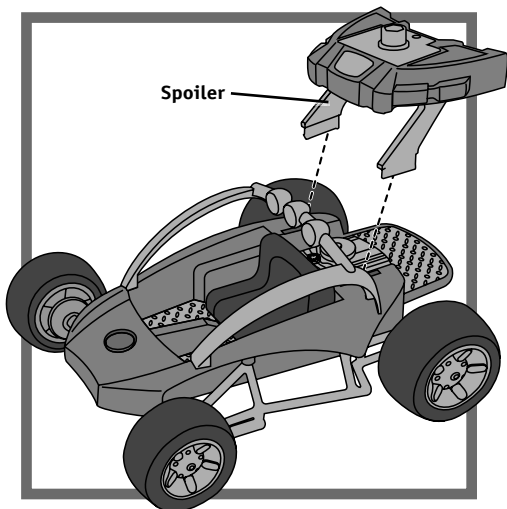


- Insert and "snap" the tabs on the front of the roll cage into the slots near the front of the dune buggy.

ASSEMBLY

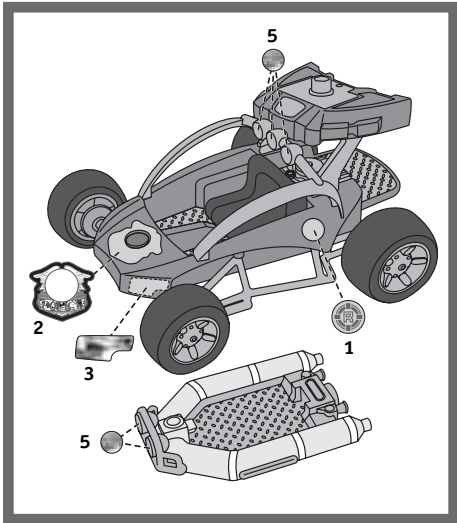


- Insert and **"snap"** the tabs on the back of the roll cage into the slots near the back of the dune buggy.

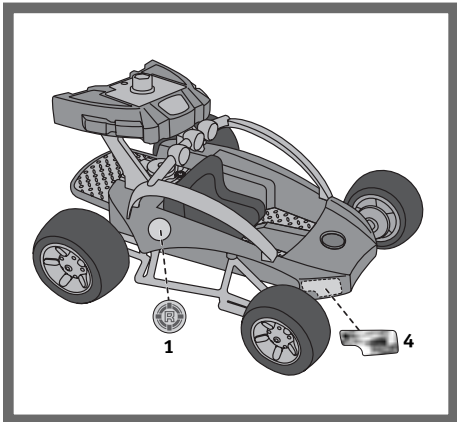


- **"Snap"** the spoiler to the back of the dune buggy.

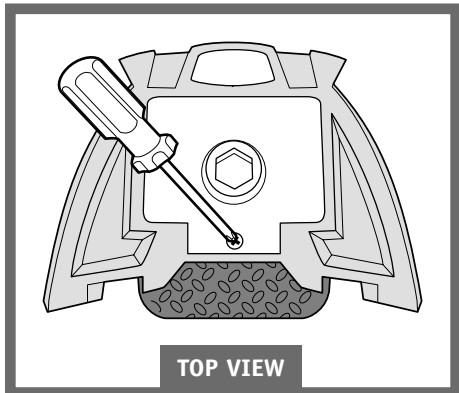
LABEL DECORATION



- Make sure the areas where the labels will be applied are clean and dry. Wipe this product with a clean, soft, dry cloth to remove any dust or oils.
- For best results, do not attempt to apply a label more than once.
- Apply the labels as shown in the illustrations.



BATTERY INSTALLATION



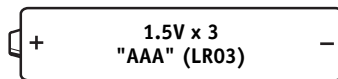
- Locate the battery compartment door on the spoiler.
- Loosen the screw in the battery compartment door with a Phillips screwdriver. Remove the battery compartment door.
- Insert three, new "AAA" (LR03) **alkaline** batteries.
- Replace the battery compartment door and tighten the screw with a Phillips screwdriver. Do not over-tighten.
- When lights or sounds become faint or stop, it's time for an adult to change the batteries!



- Protect the environment by not disposing of this product with household waste (2002/96/EC). Check your local authority for recycling advice and facilities (Europe only).

BATTERY SAFETY INFORMATION

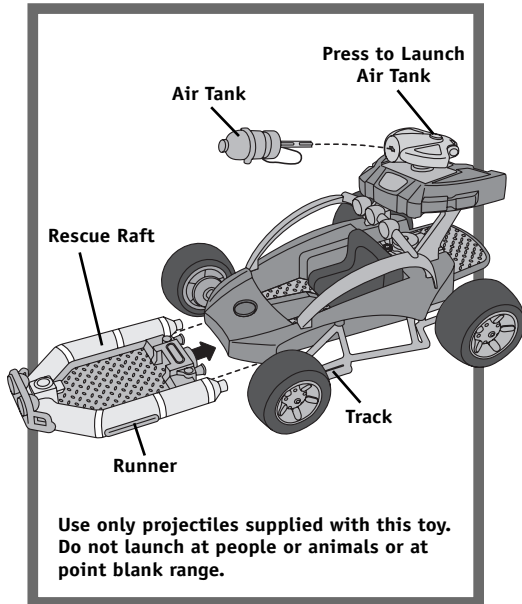
For best results, use only alkaline batteries.



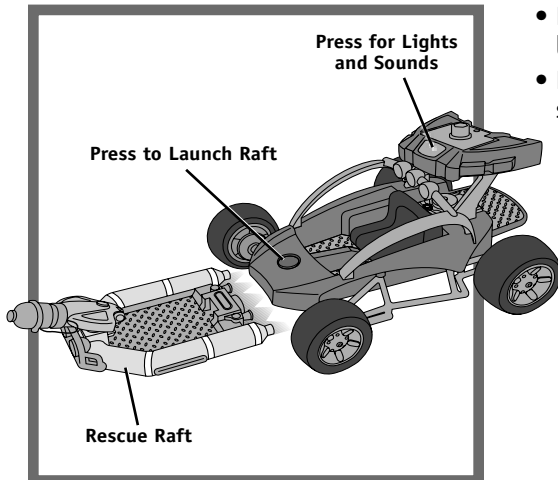
In exceptional circumstances, batteries may leak fluids that can cause a chemical burn injury or ruin your product. To avoid battery leakage:

- Do not mix old and new batteries or batteries of different types: alkaline, standard (carbon-zinc) or rechargeable (nickel-cadmium).
- Insert batteries as indicated inside the battery compartment.
- Remove batteries during long periods of non-use. Always remove exhausted batteries from the product. Dispose of batteries safely. Do not dispose of this product in a fire. The batteries inside may explode or leak.
- Never short-circuit the battery terminals.
- Use only batteries of the same or equivalent type as recommended.
- Do not charge non-rechargeable batteries.
- Remove rechargeable batteries from the product before charging.
- If removeable, rechargeable batteries are used, they are only to be charged under adult supervision.

TO THE RESCUE



- Fit the launcher into the hole in either the spoiler or the rescue raft.
- Insert the air tank into the slot in the launcher. Press the button to launch the air tank.
- Place the runners on the sides of the rescue raft onto the track under the dune buggy. Push the raft under the dune buggy until it **"snaps"** in place.



- Press the button on the dune buggy to launch the rescue raft.
- Press the spoiler button for lights and siren sounds.

- Wipe the toy with a clean cloth dampened with a mild soap and water solution.
- Do not immerse the toy.

United States Only

This equipment has been tested and found to comply with the limits for a Class B digital device, pursuant to Part 15 of the FCC Rules. These limits are designed to provide reasonable protection against harmful interference in a residential installation. This equipment generates, uses and can radiate radio frequency energy and, if not installed and used in accordance with the instructions, may cause harmful interference to radio communications. However, there is no guarantee that interference will not occur in a particular installation. If this equipment does cause harmful interference to radio or television reception, which can be determined by turning the equipment off and on, the user is encouraged to try to correct the interference by one or more of the following measures:

- Reorient or relocate the receiving antenna.
- Increase the separation between the equipment and receiver.
- Consult the dealer or an experienced radio/TV technician for help.

Note: Changes or modifications not expressly approved by the manufacturer responsible for compliance could void the user's authority to operate the equipment.

Free Manuals Download Website

<http://myh66.com>

<http://usermanuals.us>

<http://www.somanuals.com>

<http://www.4manuals.cc>

<http://www.manual-lib.com>

<http://www.404manual.com>

<http://www.luxmanual.com>

<http://aubethermostatmanual.com>

Golf course search by state

<http://golfingnear.com>

Email search by domain

<http://emailbydomain.com>

Auto manuals search

<http://auto.somanuals.com>

TV manuals search

<http://tv.somanuals.com>