



Please keep this instruction sheet for future reference, as it contains important information.

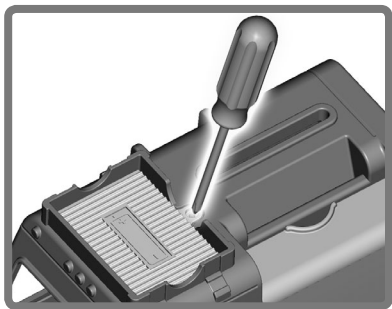
Requires three "AA" batteries (included) for operation. Batteries included are for demonstration purposes only.

Adult assembly is required for battery replacement.

Tool required for battery replacement:  
Phillips screwdriver (not included).

Wipe this toy with a clean, damp cloth. Do not immerse the toy.

## Battery Replacement



**For best performance, we recommend replacing the batteries that came with this toy with three, new alkaline “AA” (LR6) batteries.**

- Locate the battery compartment on the top of the toy.
- Loosen the screw in the battery compartment door with a Phillips screwdriver. Remove the battery compartment door.
- Remove the exhausted batteries and throw them away.
- Insert three “AA” (LR6) **alkaline** batteries.

**Hint:** We recommend using **alkaline** batteries for longer battery life.

- Replace the battery compartment door and tighten the screw with a Phillips screwdriver.
- If the toy begins to operate erratically, you may need to reset the electronics. Slide the power/volume switch off and then back on.
- When sounds from this toy become faint or stop, it's time for an adult to change the batteries.



Protect the environment by not disposing of this product with household waste (2002/96/EC). Check your local authority for recycling advice and facilities (Europe only).




## Battery Safety Information

In exceptional circumstances, batteries may leak fluids that can cause a chemical burn injury or ruin your product. To avoid battery leakage:

- Do not mix old and new batteries or batteries of different types: alkaline, standard (carbon-zinc) or rechargeable (nickel-cadmium).
- Insert batteries as indicated inside the battery compartment.
- Remove batteries during long periods of non-use. Always remove exhausted batteries from the product. Dispose of batteries safely. Do not dispose of this product in a fire. The batteries inside may explode or leak.
- Never short-circuit the battery terminals.
- Use only batteries of the same or equivalent type, as recommended.
- Do not charge non-rechargeable batteries.
- Remove rechargeable batteries from the product before charging.
- If removable, rechargeable batteries are used, they are only to be charged under adult supervision.

# Deliver ABC Fun!



- Slide the power/volume switch to on with low volume  or on with high volume .
- Put a letter in the reader on top of the truck. Then, push down to hear the letter, a word that starts with that letter along with sound effects.
- Drop a letter into the mail slot on top of the truck for songs and sound effects.
- When finished playing with this toy, slide the power/volume switch OFF .

# Consumer Information

**Great Britain:** Vanwall Business Park, Maidenhead SL6 4UB.

Helpline: 01628 500303. [www.service.mattel.com/uk](http://www.service.mattel.com/uk).

**Australia:** Mattel Australia Pty. Ltd., 658 Church Street, Locked Bag #870, Richmond, Victoria 3121 Australia. Consumer Advisory Service 1300 135 312.

**New Zealand:** 16-18 William Pickering Drive, Albany 1331, Auckland.

**Asia:** Mattel East Asia Ltd, Room 1106, South Tower, World Finance Centre, Harbour City, Tsimshatsui, HK, China.

**Malaysia:** Diimport & Diedarkan Oleh: Mattel SEA Ptd Ltd. (993532-P) Lot 13.5, 13th Floor, Menara Lien Hoe, Persiaran Tropicana Golf Country Resort, 47410 PJ. Tel: 03-78803817, Fax: 03-78803867.

Fisher-Price, Inc., a subsidiary of Mattel, Inc. East Aurora, New York 14052, U.S.A.  
©2008 Mattel, Inc. All Rights Reserved. ® and ™ designate U.S. trademarks of Mattel, Inc.

PRINTED IN CHINA

N9231pr-0726

Download from [Www.Somanuals.com](http://Www.Somanuals.com). All Manuals Search And Download.

## Free Manuals Download Website

<http://myh66.com>

<http://usermanuals.us>

<http://www.somanuals.com>

<http://www.4manuals.cc>

<http://www.manual-lib.com>

<http://www.404manual.com>

<http://www.luxmanual.com>

<http://aubethermostatmanual.com>

Golf course search by state

<http://golfingnear.com>

Email search by domain

<http://emailbydomain.com>

Auto manuals search

<http://auto.somanuals.com>

TV manuals search

<http://tv.somanuals.com>