



1 Stationary
Bouncy-Car Action



2 Push'n Pedal Car



3 Pedal Car

Please read these instructions carefully and identify all parts before assembly.
Refer to the parts and fasteners pages for identification.

Keep this instruction sheet for future reference, as it contains important information.

Adult assembly is required.

Ages 18 months – 5 years.

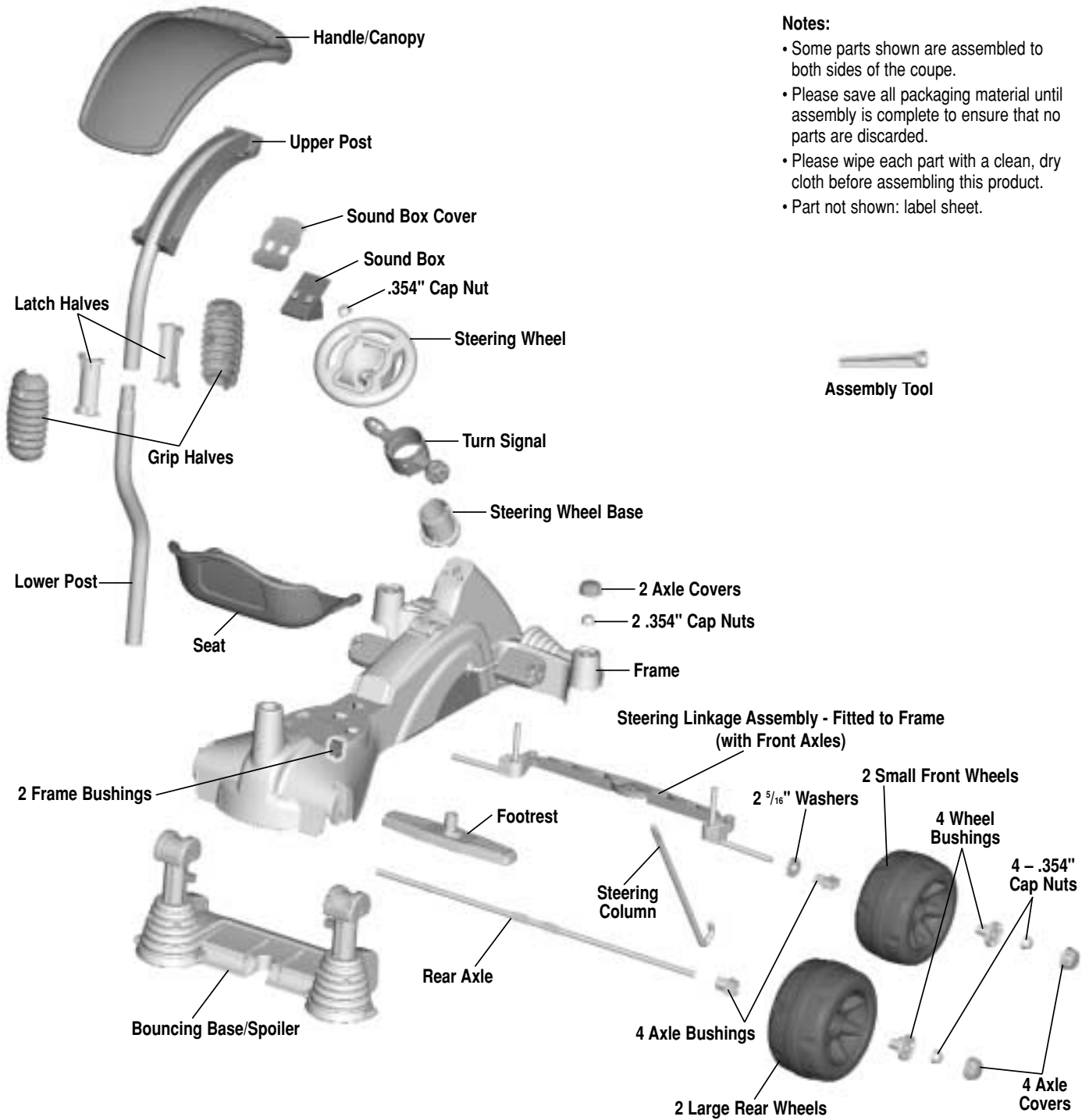
Maximum weight: 50 lbs. (23 kg).

Tools needed for assembly: Hammer, Phillips Screwdriver and Scrap Block of Wood (not included).

This product requires three "AAA" (LR03) **alkaline** batteries (not included) for sound box operation.

If you have any questions about this product, or are missing a part, please contact Fisher-Price®
(online at www.service.mattel.com or call toll-free at 1-800-432-5437) rather than return this product to the store.

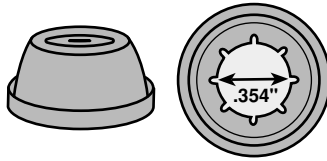
Parts



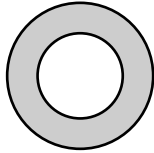
Notes:

- Some parts shown are assembled to both sides of the coupe.
- Please save all packaging material until assembly is complete to ensure that no parts are discarded.
- Please wipe each part with a clean, dry cloth before assembling this product.
- Part not shown: label sheet.

Note: We've included extra fasteners for your convenience!



.354" Cap Nut - 7



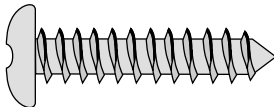
5/16" Washer - 2



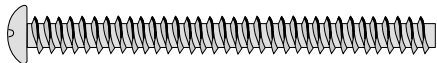
#6 x 1/2" Screw - 6



#8 x 3/4" Screw - 11



1/4" x 1 1/4" Screw - 1



#10 x 2 1/8" Bolt - 1

ALL SHOWN ACTUAL SIZE

Note: Tighten and loosen all screws and the bolt with a Phillips screwdriver. Do not over-tighten the screws and bolt.

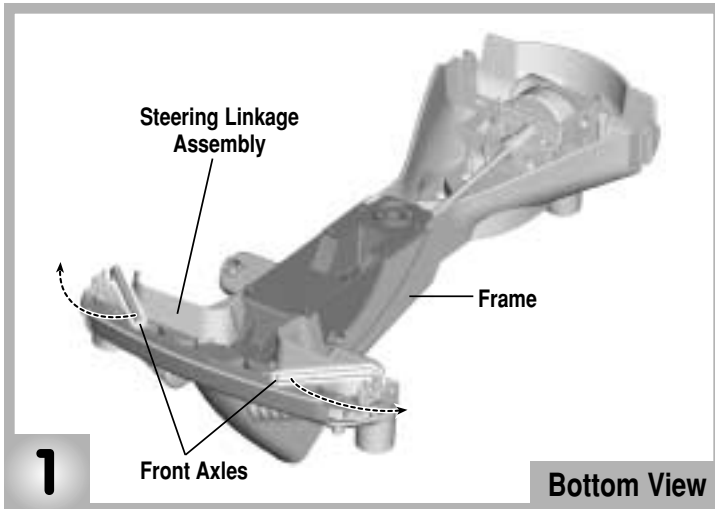
WARNING

To avoid serious injury:

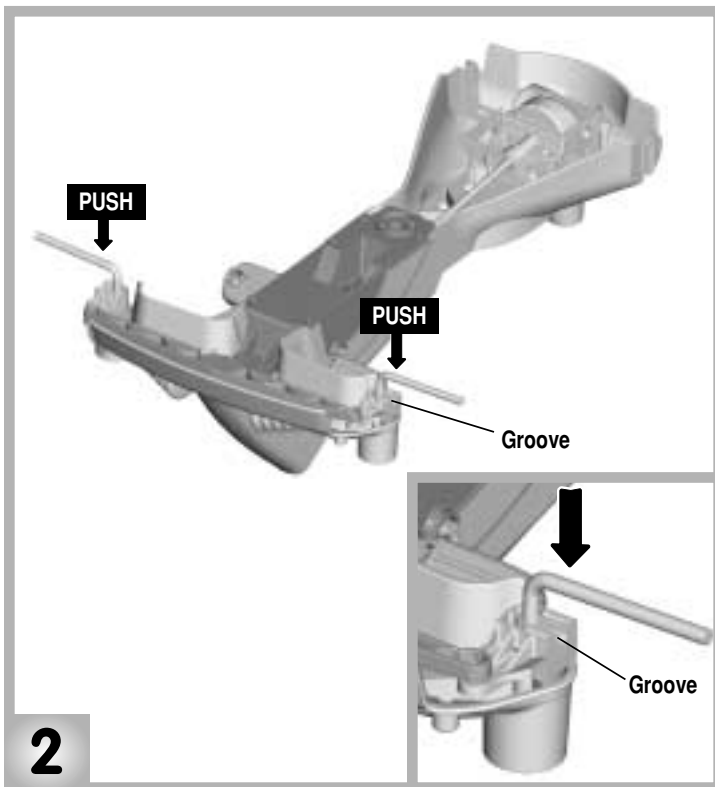
- Adult supervision required.
- Never use near cars and other motor vehicles, near streets, steps, sloped driveways, hills, roadways, alleys, swimming pools, or other bodies of water.
- Always wear shoes or sneakers
- Never allow more than one (1) rider.

CAUTION

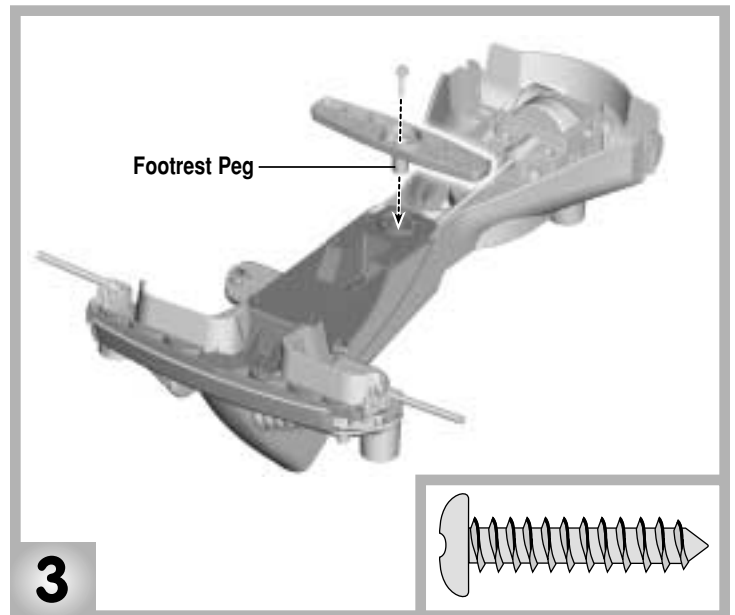
This product contains small parts in its unassembled state.
Adult assembly is required.



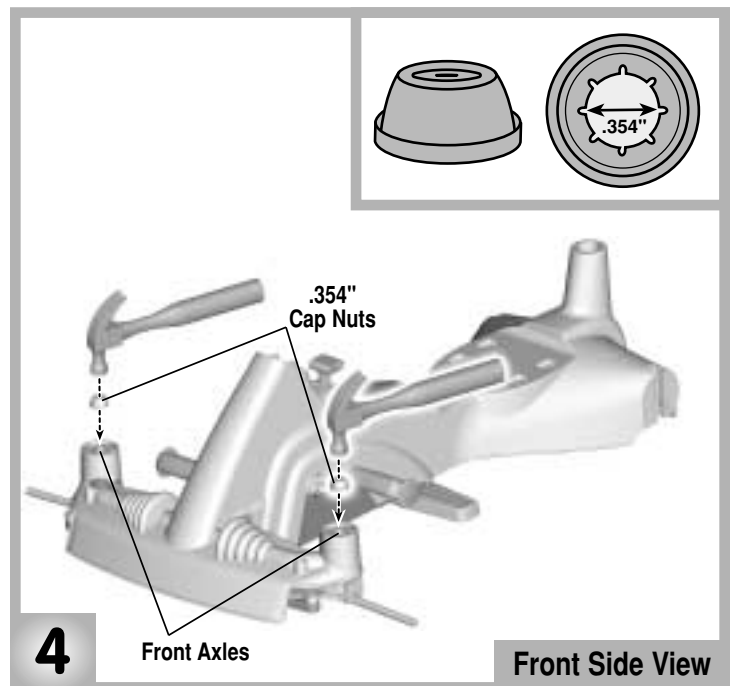
- Place the frame upside down on a flat surface. Make sure the steering linkage assembly is fitted to the front end of the frame.
- Remove the tape holding the front axles to the frame. Rotate the front axles out.



- Push the front axles down into the groove in each end of the steering linkage.



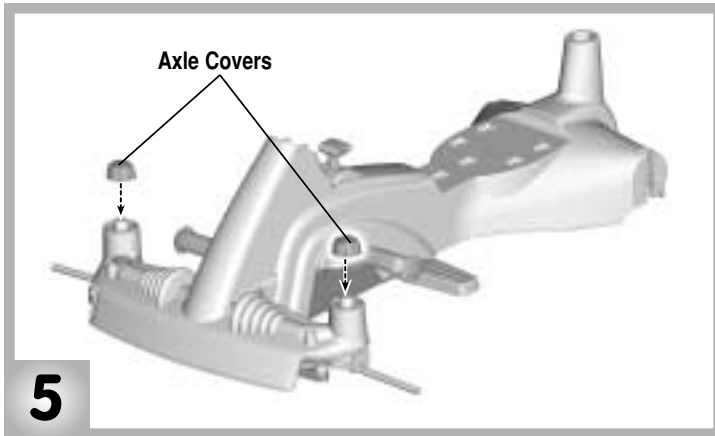
- Fit the peg on the footrest into the hole inside the frame.
- Insert the $\frac{1}{4}$ " x $\frac{1}{4}$ " screw into the footrest and tighten.



- While holding the steering linkage assembly in place, carefully turn the frame upright.
- Fit a .354" cap nut onto the upright end of a front axle.
- While holding the front axle in place, tap the cap nut with a hammer to secure it to the front axle. Pull up on the cap nut to be sure it is secure.

Hint: You may need the help of another adult to hold the front axle in place while you tap the cap nut with a hammer.

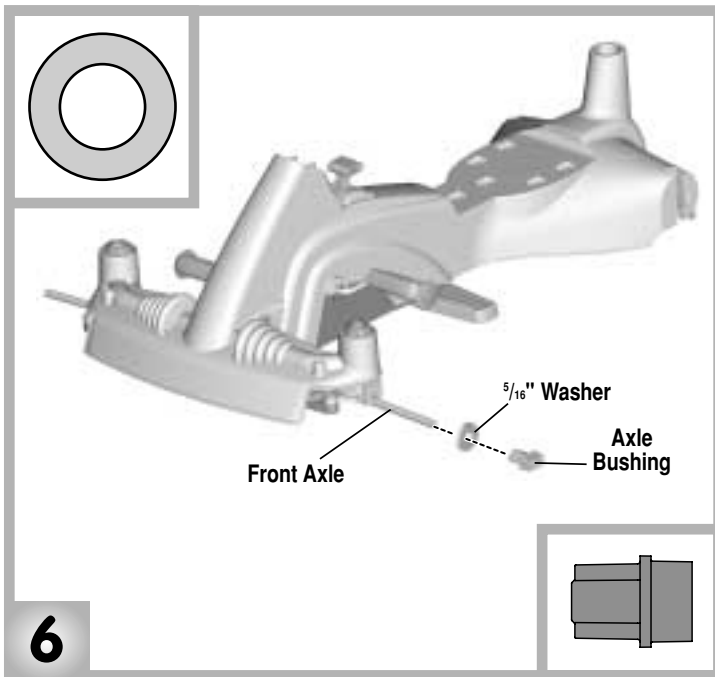
- Repeat this procedure to assemble another cap nut to the other front axle.



5

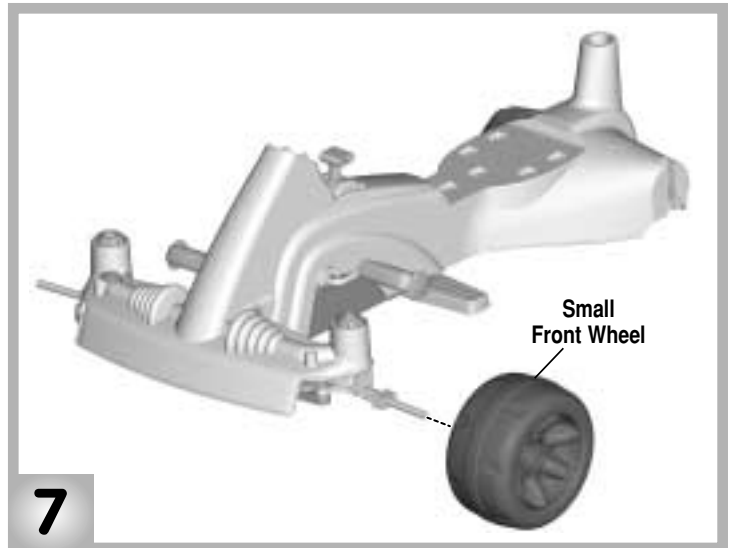
- Fit an axle cover over the cap nuts and to the front end of the frame. Push down on the axle covers to “**snap**” them into place.

Hint: You may need to carefully tap the axle covers with a hammer to secure in place.



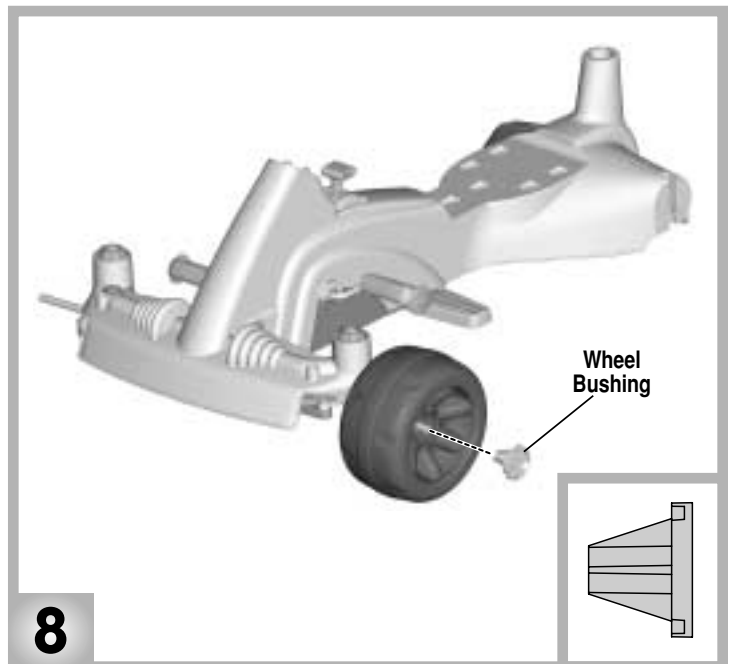
6

- Slide a $\frac{5}{16}$ " washer onto a front axle.
- Next, fit an axle bushing, **barrel side first**, onto a front axle.



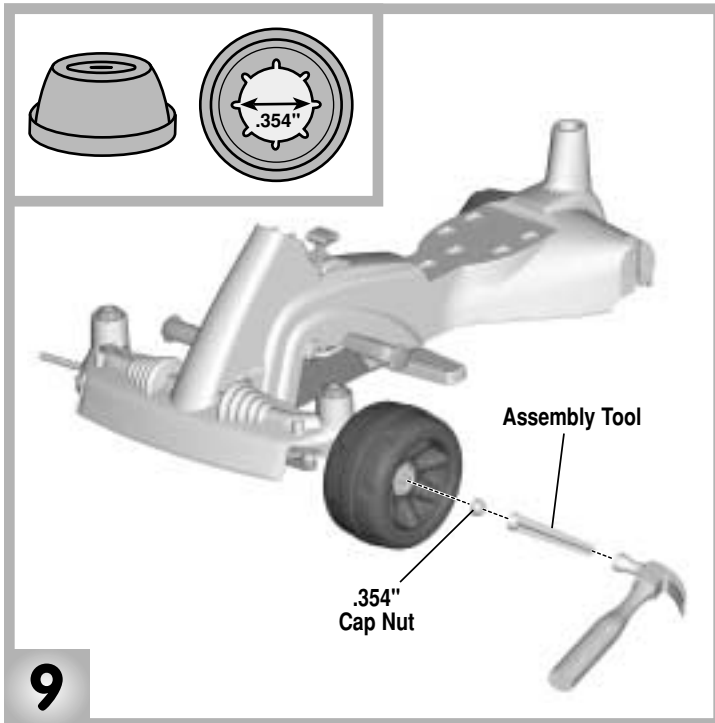
7

- Locate both small, front wheels.
- Slide a small, front wheel, **flat side first**, onto the front axle.



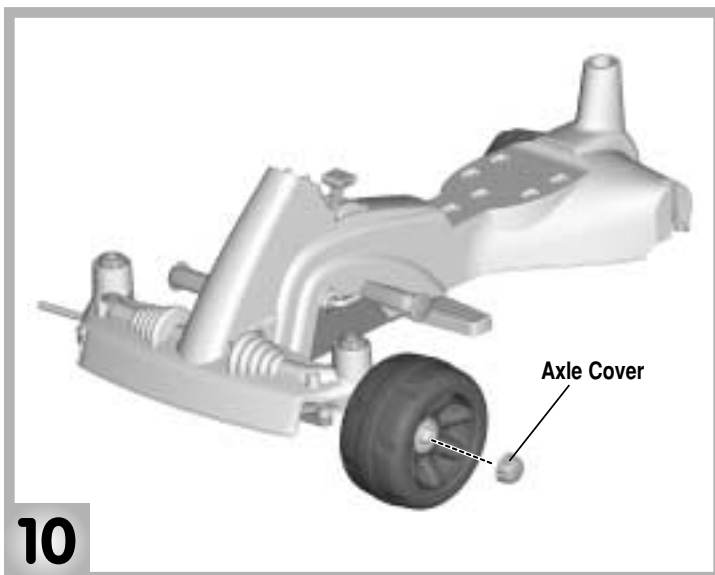
8

- Fit a wheel bushing, **peg side first**, into the small, front wheel and onto the front axle.



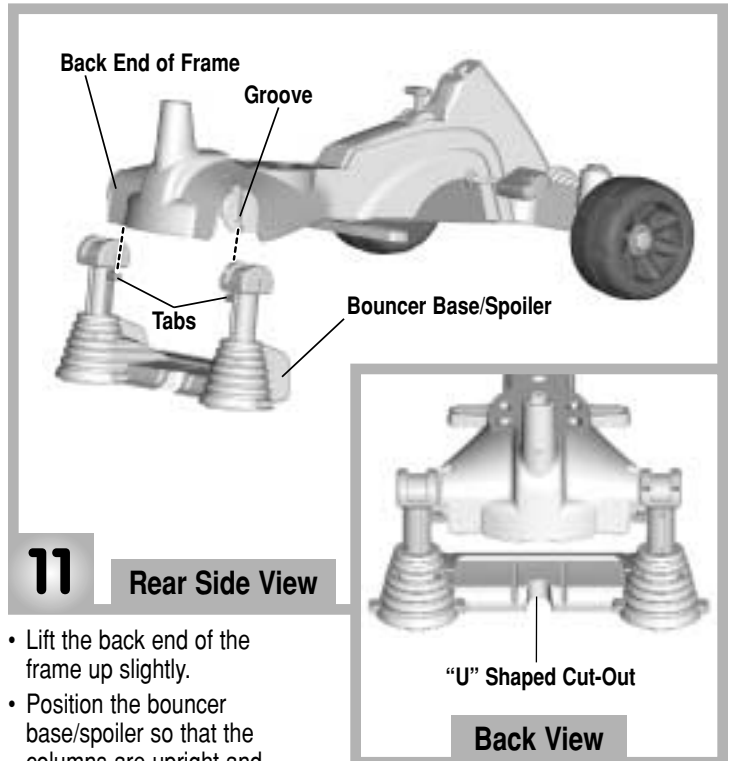
9

- Fit a .354" cap nut onto the end of the front axle.
- Cover the cap nut with the assembly tool. Tap the cap nut assembly tool with a hammer to secure the cap nut to the front axle.
- Pull on the small, front wheel to be sure it is secure on the front axle.



10

- Fit an axle cover to the small, front wheel, as shown.
 - Push the axle cover to "snap" it into place.
- Hint:** You may need to carefully tap the axle covers with a hammer to secure in place.
- Repeat assembly steps 6-10 to assemble a $\frac{5}{16}$ " washer, axle bushing, small, front wheel, wheel bushing, .354" cap nut and axle cover to the other front axle.



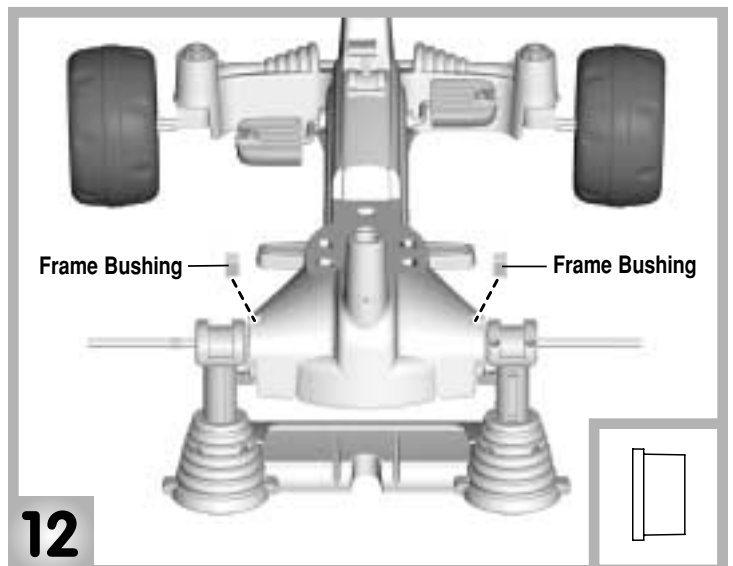
11

Rear Side View

- Lift the back end of the frame up slightly.
- Position the bouncer base/spoiler so that the columns are upright and the "U" shaped cut-out is toward the back of the vehicle.
- Now, lower the back end of the frame onto the bouncer base/spoiler tabs. Make sure the tabs on the bouncer base/spoiler fit into the grooves in the frame.

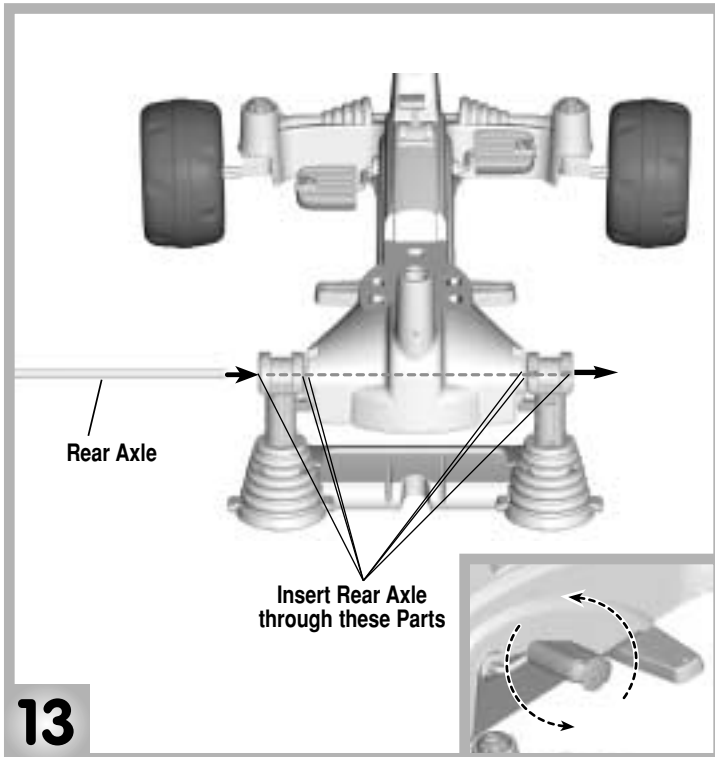
"U" Shaped Cut-Out

Back View



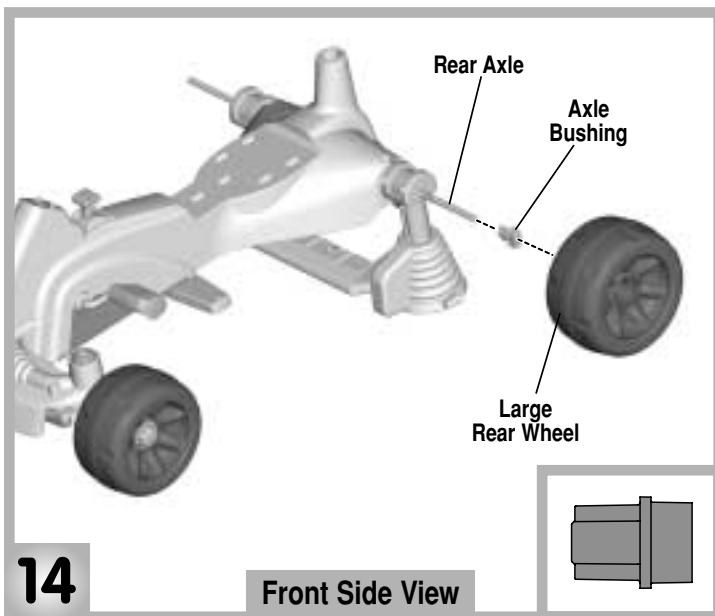
12

- Fit the frame bushings into the slots in the back end of the frame.
- Hint:** The frame bushings are designed to fit in the slots one way! If the frame bushing does not fit in the slot, turn it around and try again.

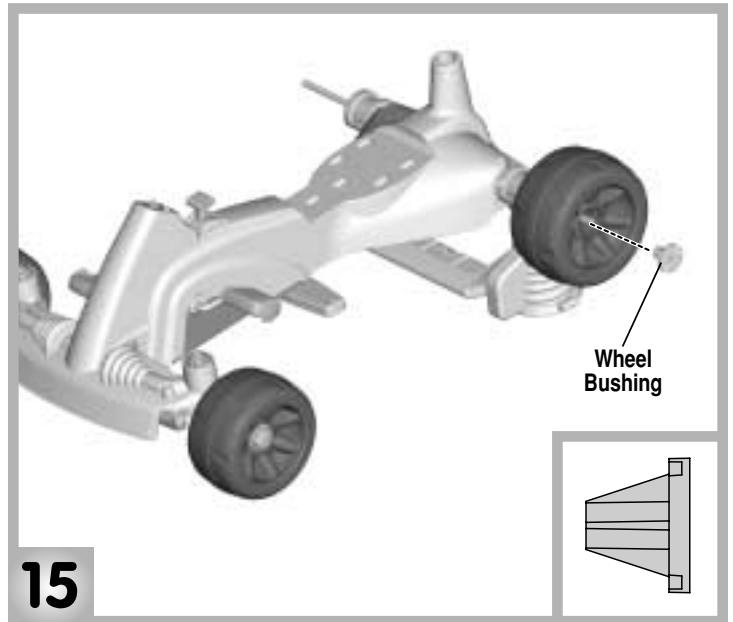


- Slide the smooth end of the rear axle into the hole in one side of the bouncer base/spoiler, a frame bushing, the frame, the other frame bushing and out through the hole in the other side of the bouncer base/spoiler.

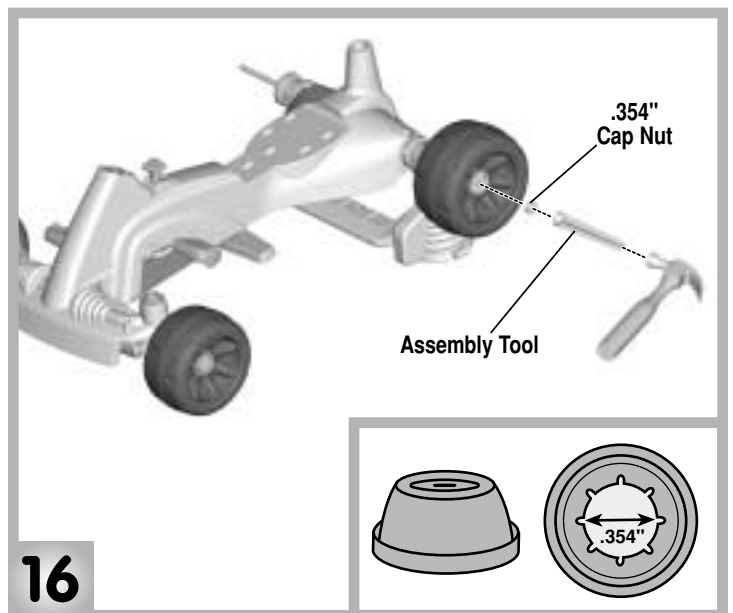
Hint: You may need to turn the pedals to align the gears in the back end of the frame and allow the rear axle to easily pass through all parts.



- Slide an axle bushing, **barrel side first**, onto the end of the rear axle.
- Slide a large rear wheel, **flat side first**, onto the rear axle.



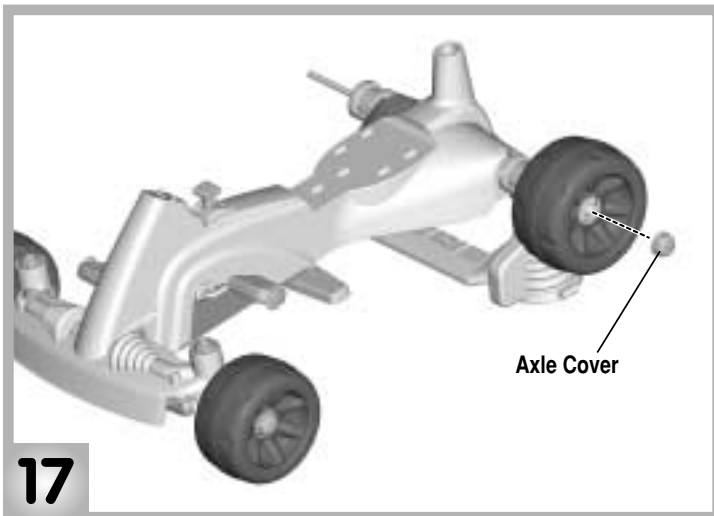
- Fit a wheel bushing, **peg side first**, into the large, rear wheel and onto the rear axle.



- Fit a .354" cap nut onto the end of the rear axle.
- Cover the cap nut with the assembly tool.
- While supporting the other end of the rear axle, tap the assembly tool with a hammer to secure the cap nut to the rear axle.

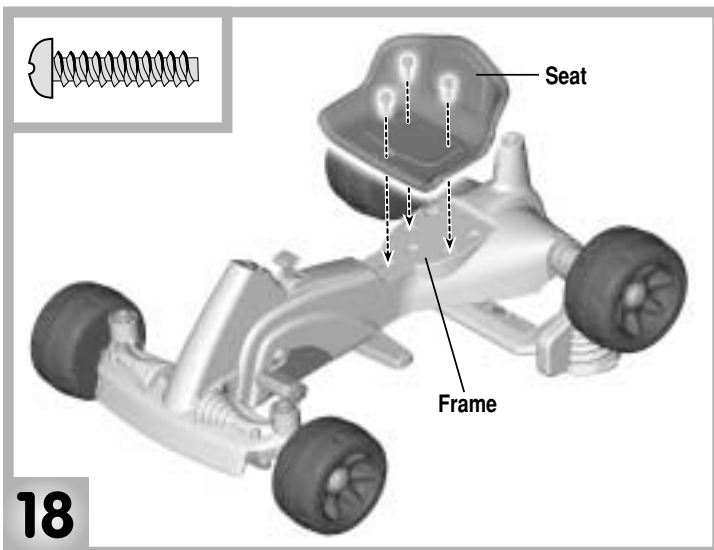
Hint: You may need the help of another adult to hold the rear axle in place while you tap the cap nut with a hammer onto the rear axle.

- Pull on the large, rear wheel to be sure it is secure on the rear axle.



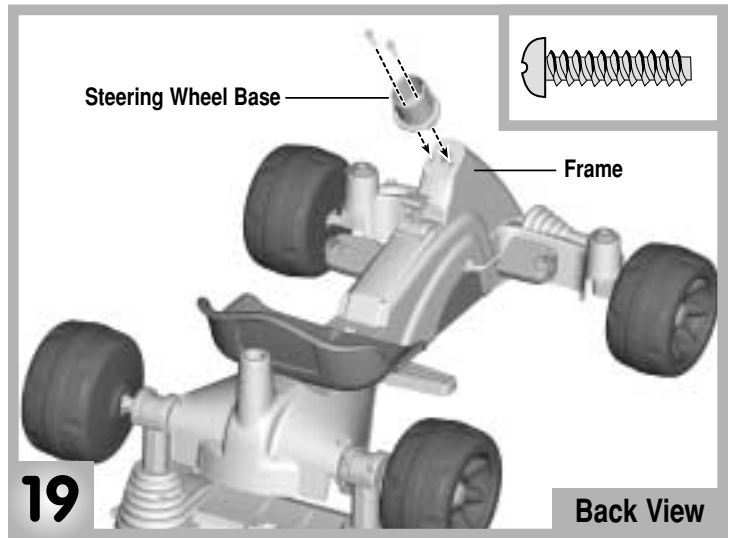
17

- Fit an axle cover to the large, rear wheel, as shown.
 - Push the axle cover to “snap” it into place.
- Hint:** You may need to carefully tap the axle cover with a hammer to secure in place.
- Repeat assembly steps 13-17 to assemble an axle bushing, large, rear wheel, wheel bushing, .354" cap nut and axle cover to the other end of the rear axle.



18

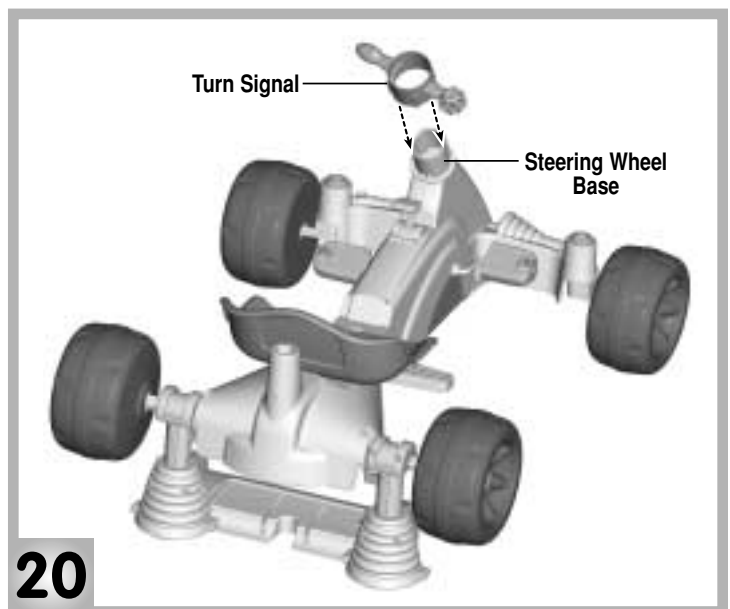
- Fit the seat onto the frame.
- Hint:** Please refer to the Seat Adjustment instructions on page 13 to place the seat in either of two positions (front or back), depending on the size of your child.
- Insert three #8 x 3/4" screws into the seat and tighten.



19

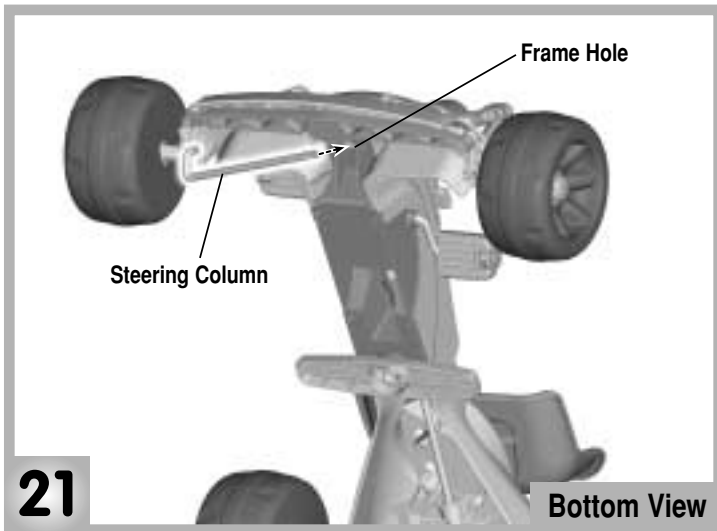
Back View

- Fit the steering wheel base to the front end of the frame.
- Insert two #8 x 3/4" screws into the steering wheel base and tighten.

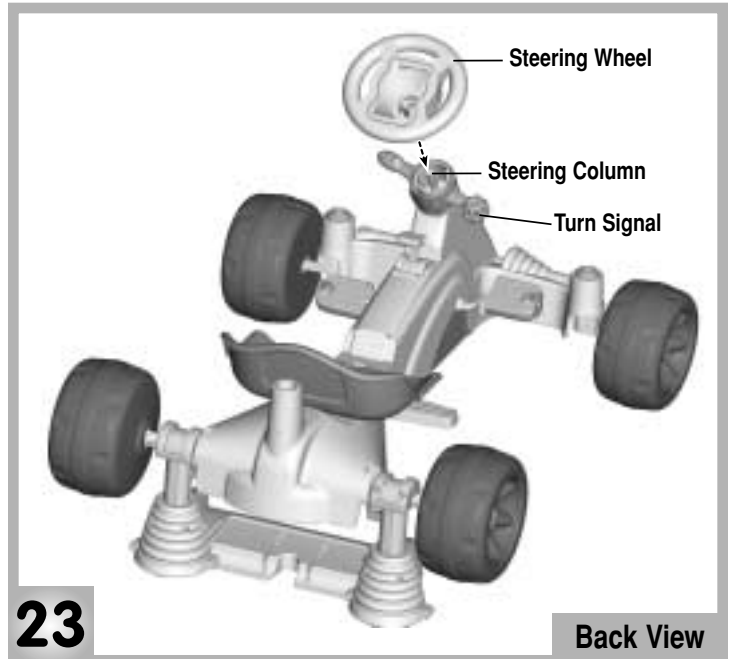


20

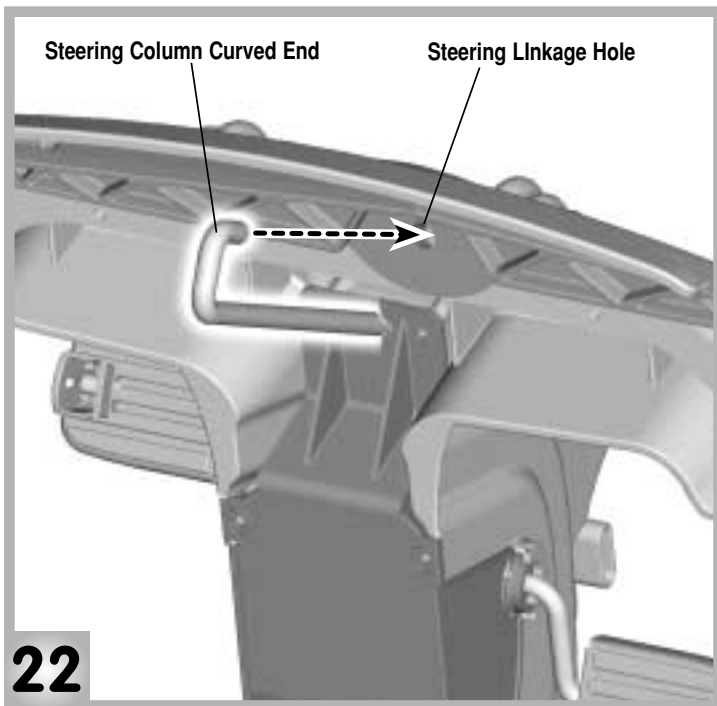
- Position the turn signal so that the rounded side is upright.
- Fit the turn signal onto the steering wheel base.



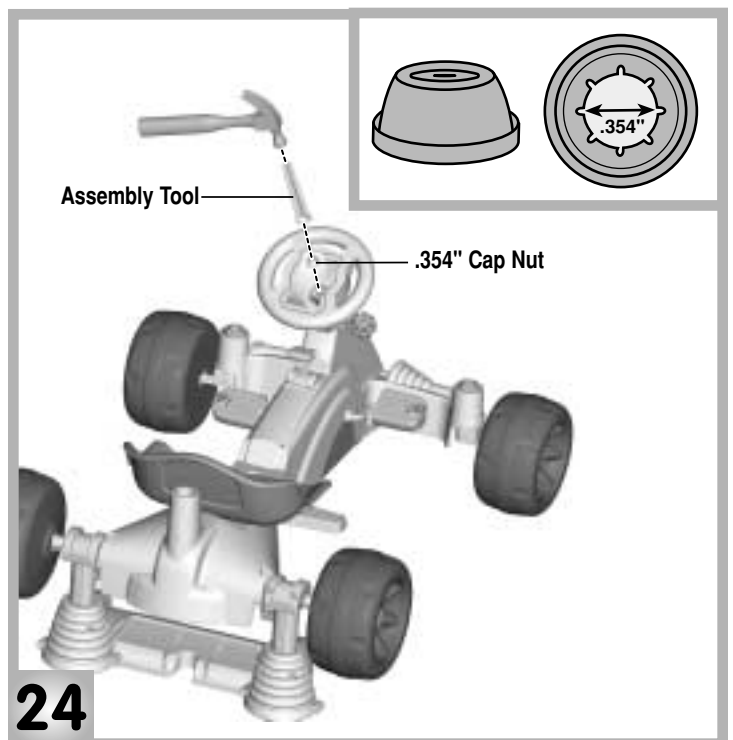
- Lift the front end of the vehicle.
- Insert the straight end of the steering column up through the hole in the frame.



- Fit the steering wheel onto the turn signal and the steering column.

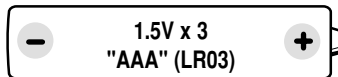


- Fit the curved end of the steering column into the hole in the steering linkage.
- Hint:** You may need to turn the front wheels slightly to align the holes and insert the steering column.
- Lower the front end of the vehicle.



- Fit a .354" cap nut onto the end of the steering column.
 - Cover the cap nut with the assembly tool.
 - While supporting the other end of the steering column, tap the assembly tool with a hammer to secure the cap nut to the steering column.
- Hint:** You may need the help of another adult to complete this assembly step.
- Pull the steering wheel to be sure it is secure.

25



SHOWN ACTUAL SIZE

- Loosen the screws in the sound box battery compartment door. Remove the battery compartment door.
- Insert three, new, **alkaline** "AAA" (LR03) batteries into the battery compartment.

*Hint: We recommend the use of **alkaline** batteries for longer battery life.*

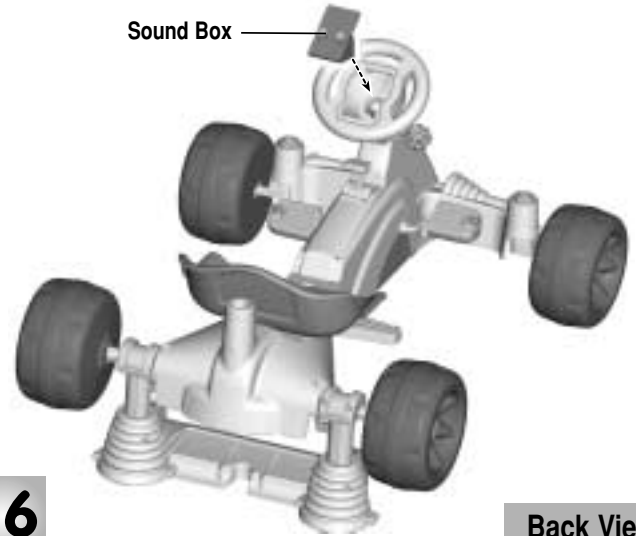
- Replace the battery compartment door and tighten the screws.

Battery Safety Information

Batteries may leak fluids that can cause a chemical burn injury or ruin your toy. To avoid battery leakage:

- Do not mix old and new batteries or batteries of different types: alkaline, standard (carbon-zinc) or rechargeable (nickel-cadmium).
- Insert batteries as indicated inside the battery compartment.
- Remove batteries during long periods of non-use. Always remove exhausted batteries from the toy. Dispose of batteries safely. Do not dispose of batteries in a fire. The batteries may explode or leak.
- Never short-circuit the battery terminals.
- Use only batteries of the same or equivalent type, as recommended.
- Do not charge non-rechargeable batteries.
- Remove rechargeable batteries from the toy before charging.
- If removable, rechargeable batteries are used, they are only to be charged under adult supervision.

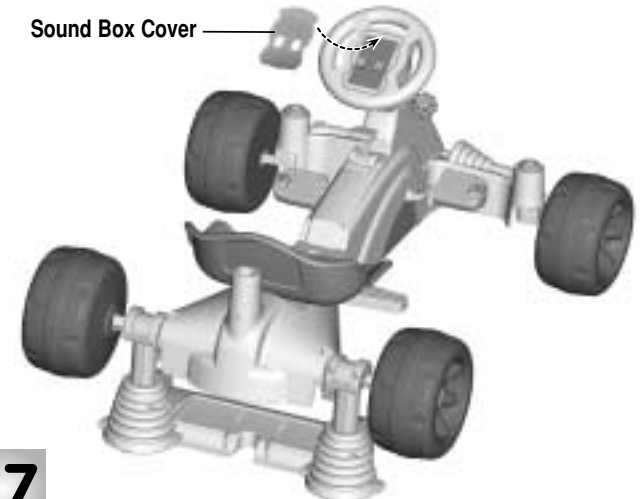
26



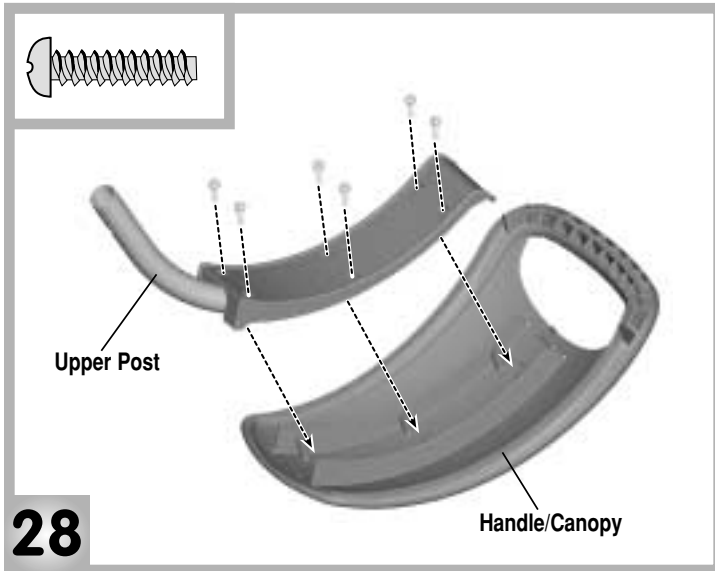
Back View

- Fit the sound box inside the center of the steering wheel.

27



- Fit the top edge of the sound box cover into the groove in the steering wheel.
- "Snap" the sound box cover into the center of the steering wheel.



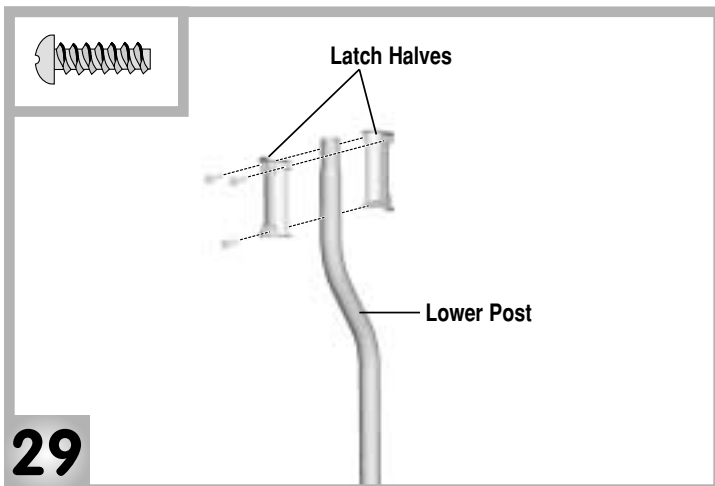
28

- Fit the upper post to the handle/canopy.
- Insert six #8 x 3/4" screws into the upper post and tighten.



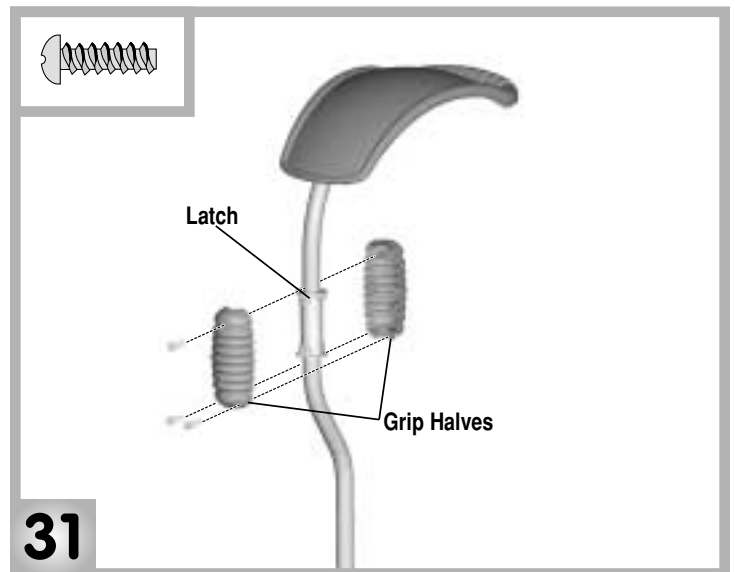
30

- Insert the upper post into the lower post.



29

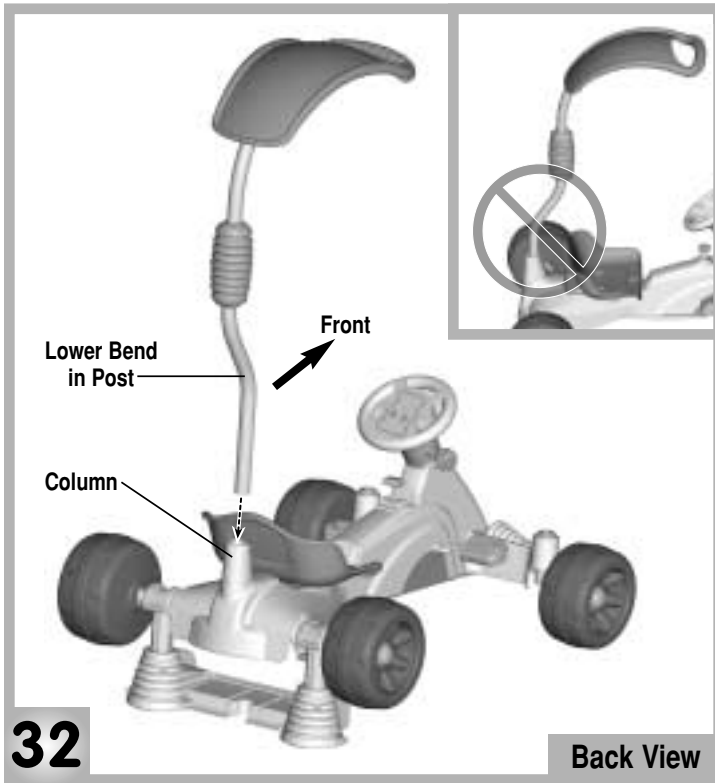
- Fit the latch halves to the end of the lower post.
- Insert three #6 x 1/2" screws into the latch halves to join all three parts together. Tighten the screws.



31

- Fit the grip halves to the post assembly, over the latch halves.
- Insert three #6 x 1/2" screws into the grip halves to join all three parts together. Tighten the screws.

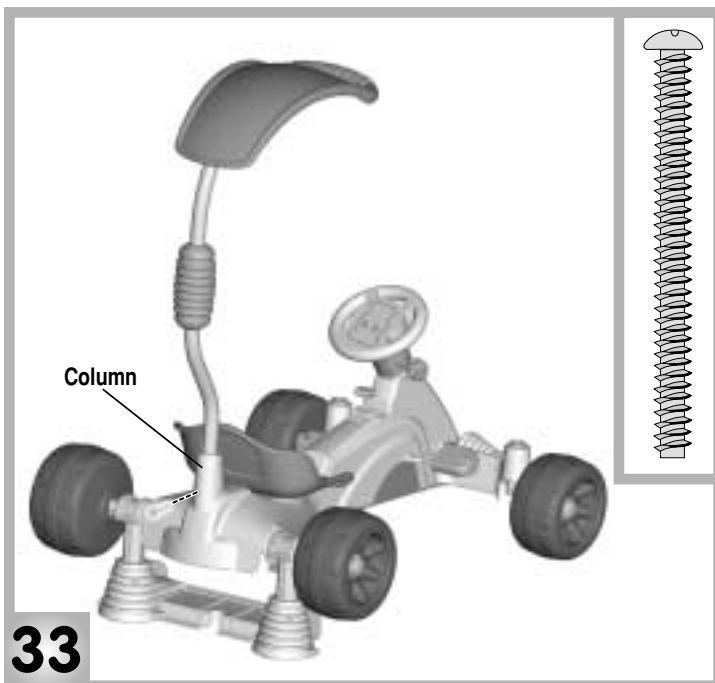
Assembly



32

Back View

- Position the post so that the lower bend is toward the front end of the coupe.
- Insert the post into the column on the back of the coupe.

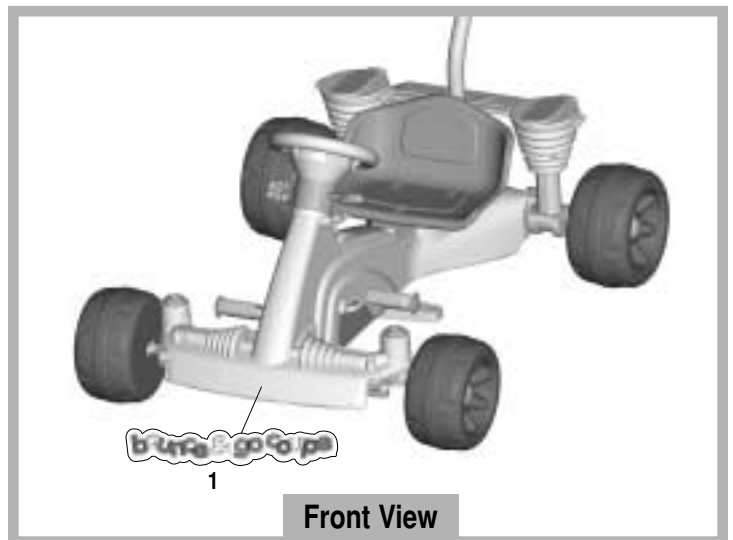


33

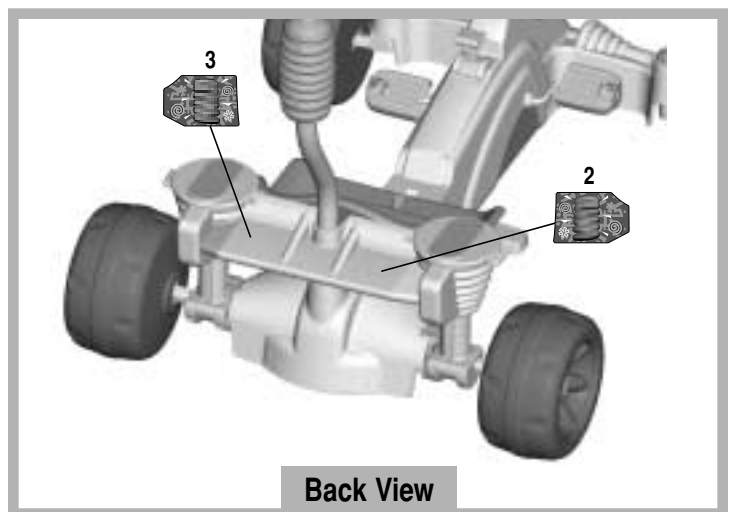
- Insert the #10 x 2 1/8" bolt into the column on the back of the coupe.
- Tighten the bolt.

Hint: The handle/canopy assembly is designed to be removed for Pedal Car use. Simply remove the #10 x 2 1/8" bolt and the handle/canopy assembly. Store the handle/canopy in a safe place for future use. Replace the #10 x 2 1/8" bolt into the column on the back end of the coupe.

Label Decoration



Front View

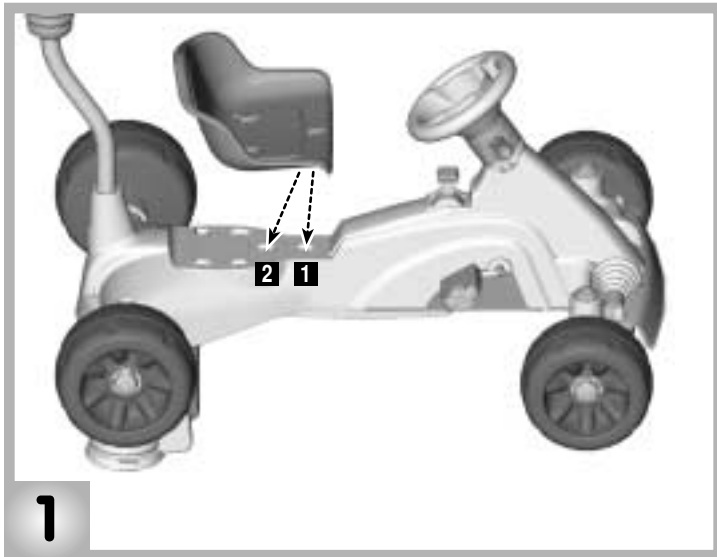


Back View

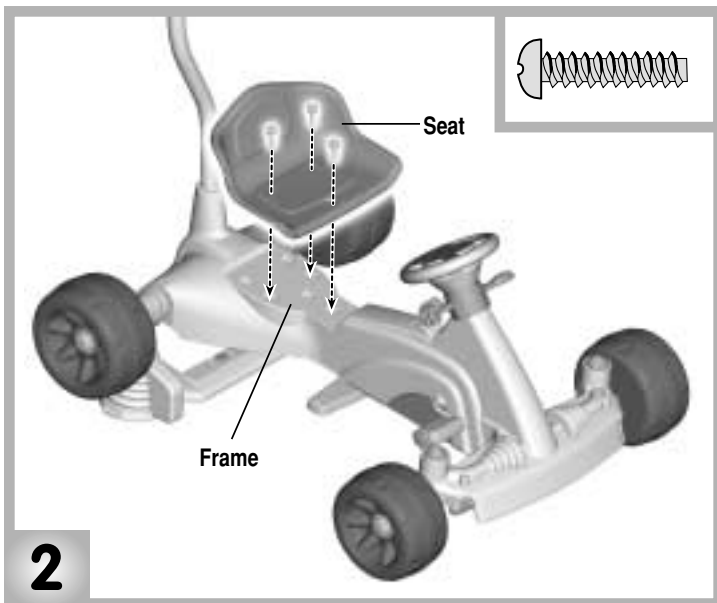
Proper label application will help to keep the labels looking their best! When applying labels, keep the following guidelines in mind:

- Wash your hands before applying the labels.
- Before applying the labels, wipe the surface of the vehicle with a clean, dry cloth to remove any dust or oils.
- Place the labels exactly as shown in the illustrations.
- For best results, avoid repositioning a label once it has been applied to the vehicle.
- After applying a label, rub the label firmly with a clean, dry cloth to make sure the label is adhered to your vehicle. Start at the center of a label, and smooth towards the outer edges to remove air bubbles.

Seat Adjustment



- Place the seat onto the coupe into either of two positions – front **1** or back **2**.
- Have your child sit on the seat and check the distance between your child's feet and the pedals. Now, move the seat closer to **1** or further from the pedals **2**.



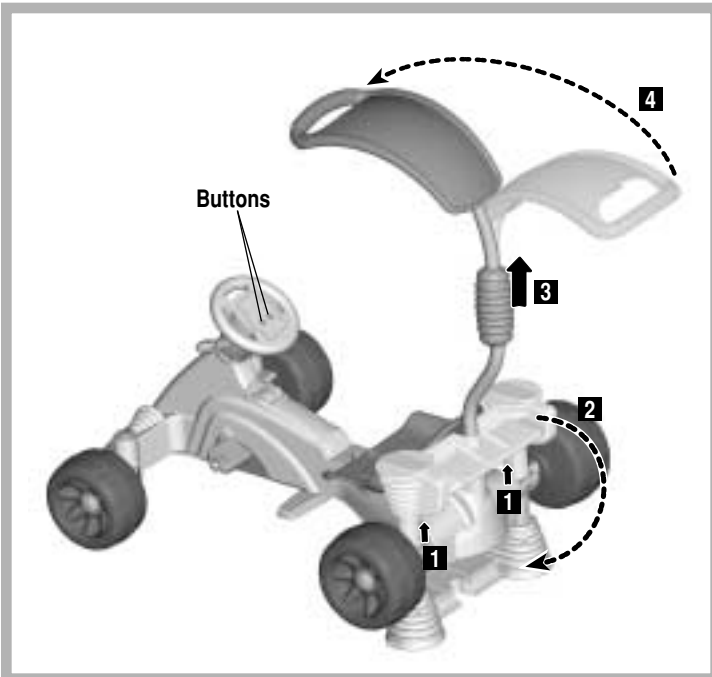
- Insert three #8 x $\frac{3}{4}$ " screws into the seat and tighten.

IMPORTANT!

It is a good practice to start training children very young regarding the importance of helmet use. When children are older and riding bicycles and faster vehicles, it is important that they use a helmet each and every time they ride. For this reason, even while riding a tricycle (or pedal car), it is a good idea to familiarize your child with helmet use, so that it becomes a habit for life. Choose a helmet that complies with requirements of the applicable certifying agency for bicycle helmets.

Learn-to-Ride Stage 1

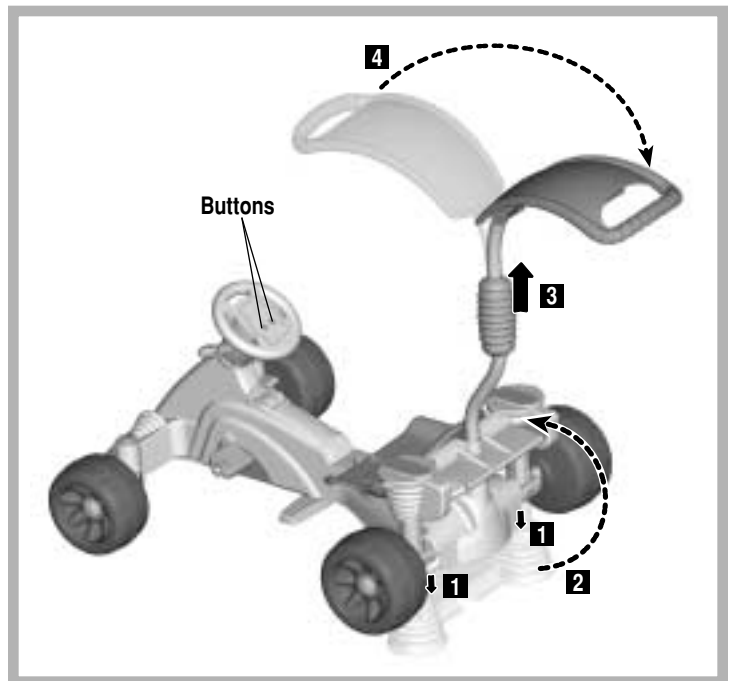
Stationary Bouncy-Car Action



- Locate the sliding latches inside the bouncing base/spoiler. While *lifting* both sliding latches on the bouncing base/spoiler **1**, rotate the bouncing base/spoiler *down* **2**. Continue to rotate the bouncing base/spoiler down until it “snaps” into place.
- Lift the grip on the post **3** and turn it so that the handle/canopy is over the *seat* **4**. Lower the grip on the post to secure in place.
- You're ready for bouncy-car action. Press a button on the steering wheel for “real” car sounds.

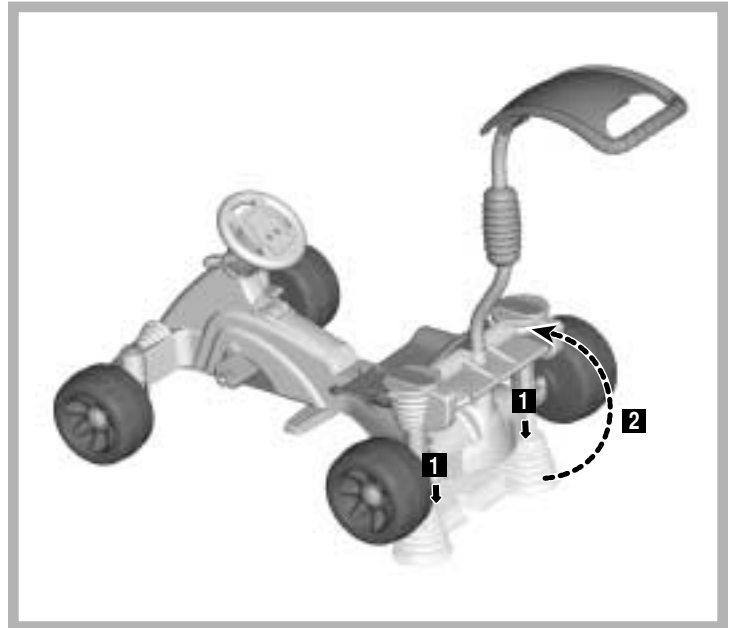
Learn-to-Ride Stage 2

Push'n Pedal Car with Parent-Assist Handle



- Locate the sliding latches inside the bouncing base/spoiler. While *pushing* both sliding latches on the bouncing base/spoiler **1**, rotate the bouncing base/spoiler *up* **2**. Continue to rotate the bouncing base/spoiler up until it “snaps” into place.
- Lift the grip on the post **3** and turn it so that the handle/canopy is over the *bouncing base/spoiler* **4**. Lower the grip on the post to secure in place.
- Use the parent-assist handle to guide your child along. Press a button on the steering wheel for “real” car sounds.

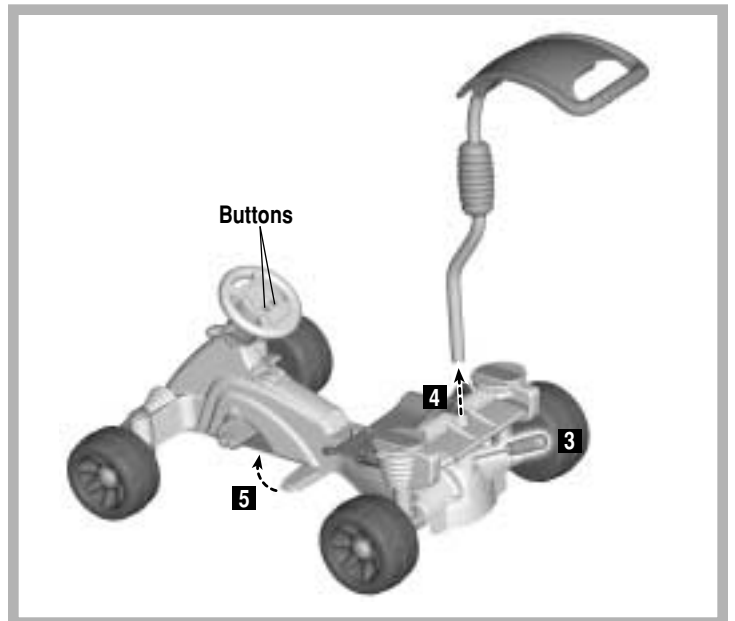
Pedal Car Fun with or without Canopy!



- Locate the sliding latches inside the bouncing base/spoiler. While *pushing* both sliding latches on the bouncing base/spoiler **down 1**, rotate the bouncing base/spoiler **up 2**. Continue to rotate the bouncing base/spoiler up until it **“snaps”** into place.
- Locate the screw under the bouncing base/spoiler. Using a Phillips screwdriver, remove the #10 x 2 1/8" bolt **3**.
- Lift to remove the handle/canopy **4**.
- Turn the footrest under the coupe **5**.

Hint: Store the handle/canopy in a safe place for future use. Replace the #10 x 2 1/8" bolt into the column on the back end of the coupe.

- Your child can turn the coupe pedals to “motor” around. Press a button on the steering wheel for “real” car sounds.



Care

- Wipe this toy with a clean cloth dampened with a mild soap and water solution. Do not immerse this toy.
- Do not leave this toy outside in the rain. Water inside the soundbox could cause it to malfunction.
- This toy has no consumer replaceable parts. Do not take this toy apart.
- Check all screws, cap nuts and their protective coverings regularly and tighten as required.
- Check plastic parts on a regular basis for cracks or broken pieces. Dispose of them properly.

FCC Statement (United States Only)

Note: This equipment has been tested and found to comply with the limits for a Class B digital device, pursuant to Part 15 of the FCC Rules. These limits are designed to provide reasonable protection against harmful interference in a residential installation. This equipment generates, uses and can radiate radio frequency energy and, if not installed and used in accordance with the instructions, may cause harmful interference to radio communications.

However, there is no guarantee that interference will not occur in a particular installation. If this equipment does cause harmful interference to radio or television reception, which can be determined by turning the equipment off and on, the user is encouraged to try to correct the interference by one or more of the following measures:

- Reorient or relocate the receiving antenna.
- Increase the separation between the equipment and receiver.
- Consult the dealer or an experienced radio/TV technician for help.

Note: Changes or modifications not expressly approved by the manufacturer responsible for compliance could void the user's authority to operate the equipment.

Questions? We'd like to hear from you!

Call Fisher-Price® Consumer Relations, toll-free at **1-800-432-5437**, 8 AM - 6 PM EST Monday through Friday. Hearing-impaired consumers using TTY/TDD equipment, please call 1-800-382-7470. Visit us online at www.service.mattel.com.

Or, write to:
Fisher-Price® Consumer Relations
636 Girard Avenue
East Aurora, New York 14052, U.S.A.

For countries outside the United States:

CANADA

Questions? **1-800-432-5437**, Mattel Canada Inc., 6155 Freemont Blvd., Mississauga, Ontario L5R 3W2; www.service.mattel.com.

GREAT BRITAIN

[Mattel UK Ltd, Vanwall Business Park, Maidenhead SL6 4UB. Helpline: 01628 500302.](http://www.mattel.co.uk)

AUSTRALIA

Mattel Australia Pty. Ltd., 658 Church Street, Locked Bag #870, Richmond, Victoria 3121 Australia. Consumer Advisory Service 1300 135 312.

NEW ZEALAND

16-18 William Pickering Drive, Albany 1331, Auckland.

ASIA

Mattel East Asia Ltd, Room 1106, South Tower, World Finance Centre, Harbour City, Tsimshatsui, HK, China.

Free Manuals Download Website

<http://myh66.com>

<http://usermanuals.us>

<http://www.somanuals.com>

<http://www.4manuals.cc>

<http://www.manual-lib.com>

<http://www.404manual.com>

<http://www.luxmanual.com>

<http://aubethermostatmanual.com>

Golf course search by state

<http://golfingnear.com>

Email search by domain

<http://emailbydomain.com>

Auto manuals search

<http://auto.somanuals.com>

TV manuals search

<http://tv.somanuals.com>