



Cradle Swing



Swing
(Seat moves front to back)



Cradle
(Seat moves side to side)

Model Number: B0639

Please keep this instruction sheet for future reference, as it contains important information.

Adult assembly is required.

Tools needed for assembly: Phillips Screwdriver and Adjustable Wrench (both not included).

Requires four "D" (LR20) **alkaline** batteries for operation (not included).

Maximum Weight Limit: 24 lbs. (10.9 kg.)

IMPORTANT! If your child weighs less than 24 lbs., but is really active and appears to be able to climb out of the swing, immediately discontinue its use.

Product features and decorations may be different than shown in photos above.

www.fisher-price.com

Warning and Caution

WARNING

- To prevent falls, never use with an active child who may be able to climb out of the seat.
- Never leave child unattended.
- To prevent injury or death from falls or sliding out, always use restraint system. Never rely on the tray to restrain child.

CAUTION

This product contains small parts in its unassembled state. Adult assembly is required.

One (1) Year Limited Warranty

Fisher-Price, Inc., 636 Girard Avenue, East Aurora, New York 14052, warrants that the Cradle Swing is free from all defects in material and workmanship when used under normal conditions for a period of one (1) year from the date of purchase. Should the product fail to perform properly, we will repair or replace it at our option, free of charge. Purchaser is responsible for shipping the product to Fisher-Price Consumer Relations at the address indicated above and for all associated freight and insurance cost. Fisher-Price, Inc. will bear the cost of shipping the repaired or replaced item to you.

This warranty is void if the owner repairs or modifies the product. This warranty excludes any other liability other than that expressly stated above including but not limited to any incidental or consequential damages.

SOME STATES DO NOT ALLOW THE EXCLUSION OR LIMITATION OF INCIDENTAL OR CONSEQUENTIAL DAMAGES, SO THE ABOVE LIMITATION OR EXCLUSION MAY NOT APPLY TO YOU.

THIS WARRANTY GIVES YOU SPECIFIC LEGAL RIGHTS AND YOU MAY ALSO HAVE OTHER LEGAL RIGHTS WHICH VARY FROM STATE TO STATE.

FCC Note (United States Only)

Note: This equipment has been tested and found to comply with the limits for a Class B digital device, pursuant to Part 15 of the FCC Rules. These limits are designed to provide reasonable protection against harmful interference in a residential installation. This equipment generates, uses and can radiate radio frequency energy and, if not installed and used in accordance with the instructions, may cause harmful interference to radio communications. However, there is no guarantee that interference will not occur in a particular installation. If this equipment does cause harmful interference to radio or television reception, which can be determined by turning the equipment off and on, the user is encouraged to try to correct the interference by one or more of the following measures:

- Reorient or relocate the receiving antenna.
- Increase the separation between the equipment and receiver.
- Consult the dealer or an experienced radio/TV technician for help.

Note: Changes or modifications not expressly approved by the manufacturer responsible for compliance could void the user's authority to operate the equipment.

Consumer Information

Occasionally a consumer may experience a problem with one of our products. If this should happen, please call us toll-free, rather than return this product to the store. Usually, we can solve the problem over the telephone or send you replacement parts. Please call Fisher-Price® Consumer Relations, toll-free at **1-800-432-5437**, 8 AM- 6 PM EST Monday through Friday. Hearing-impaired consumers using TTY/TDD equipment, please call 1-800-382-7470.

Or, write to:
Fisher-Price®
Consumer Relations
636 Girard Avenue
East Aurora, New York 14052

For other countries, outside the United States:

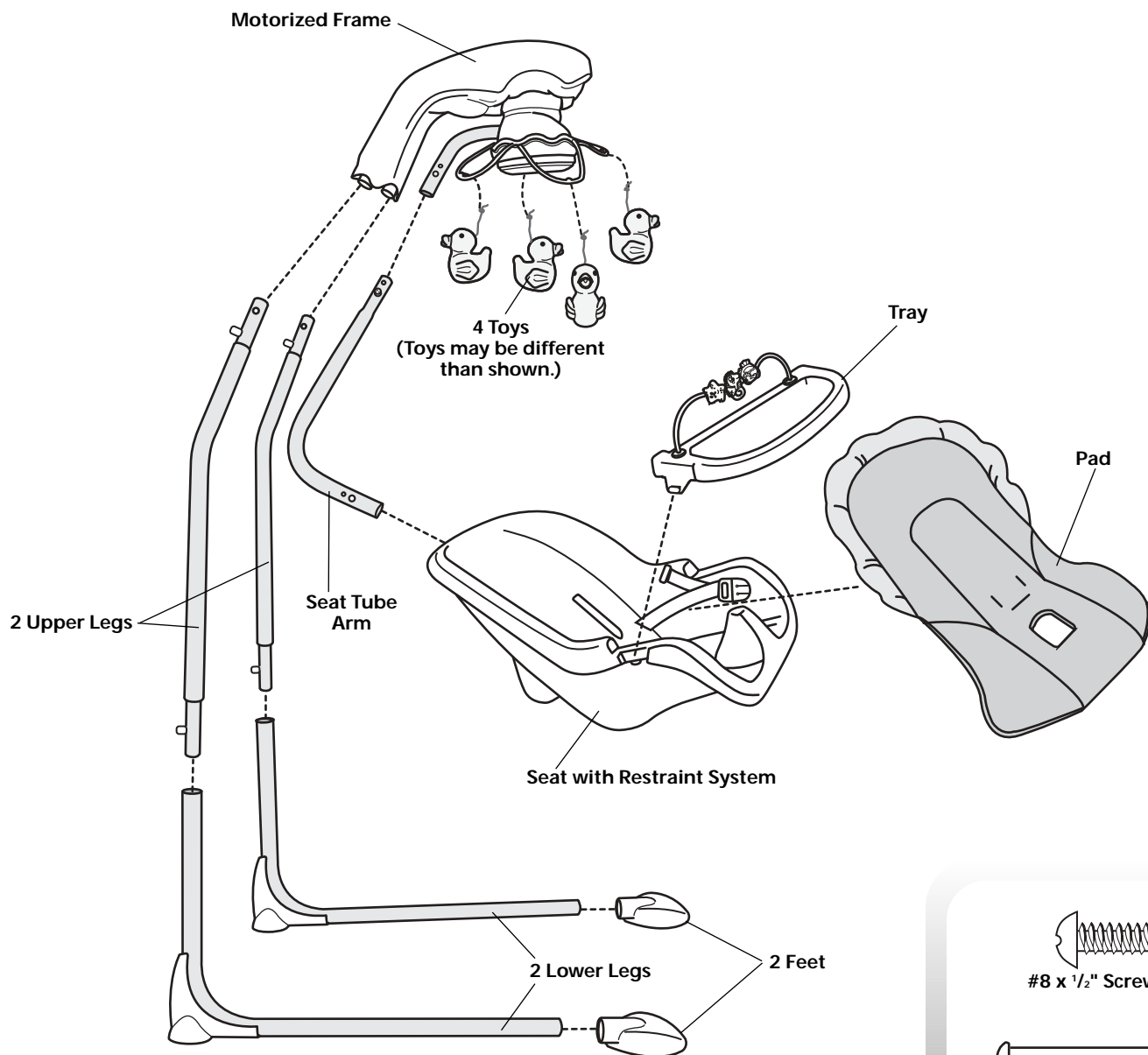
Canada: call **1-800-567-7724**, or write to: Mattel Canada Inc., 6155 Freemont Blvd., Mississauga, Ontario L5R 3W2.

Great Britain: telephone 01628 500302.

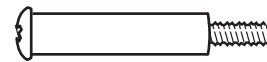
Australia: Mattel Australia Pty. Ltd., 658 Church Street, Locked Bag #870, Richmond, Victoria 3121 Australia. Consumer Advisory Service 1300 135 312.

New Zealand: 16-18 William Pickering Drive, Albany 1331, Auckland.

Parts



#8 x 1/2" Screw - 2



M4 x 31.5 mm Bolt - 2

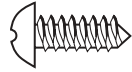


M4 Lock Nut - 2

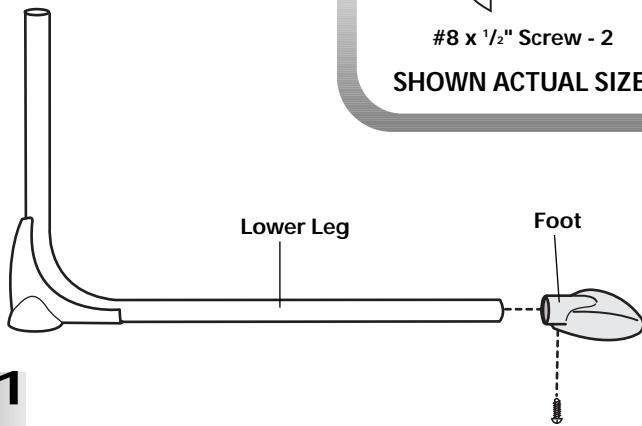
ALL SHOWN ACTUAL SIZE

Assembly

IMPORTANT! Before each use or assembly, inspect this product for damaged hardware, loose joints, missing parts or sharp edges. **DO NOT** use if any parts are missing or broken. Contact Fisher-Price® for replacement parts and instructions if needed. Never substitute parts.

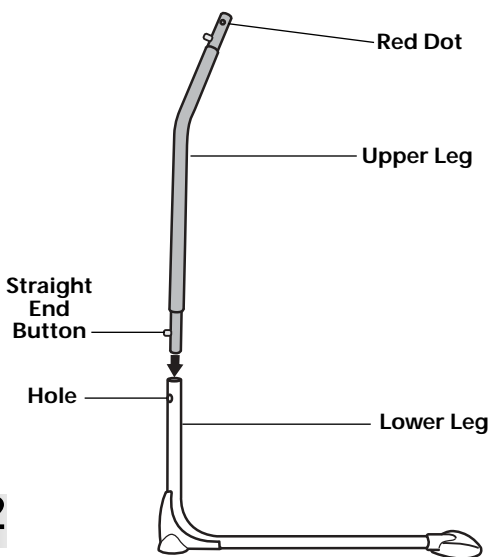


#8 x 1/2" Screw - 2
SHOWN ACTUAL SIZE



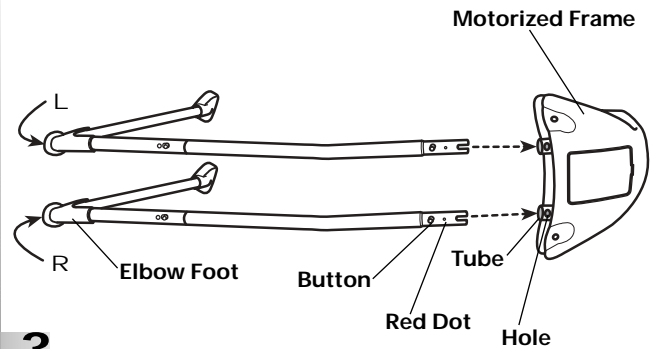
1

- Position a lower leg so that it stands on a flat surface, as shown.
- Fit a foot onto the end of the lower leg.
- Insert a #8 x 1/2" screw through the bottom of the foot and into the lower leg. Tighten the screw with a Phillips screwdriver. Do not over-tighten.
- Repeat this procedure to assemble the other foot to the other lower leg.



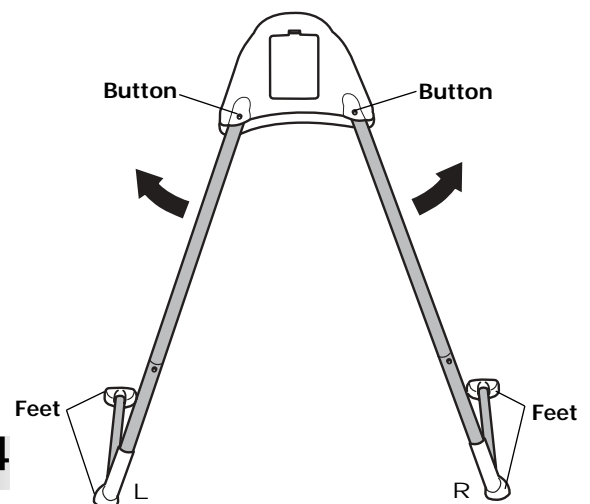
2

- Position an upper leg so that the **red dot is upward**.
- While pressing the button on the **straight end** of an upper leg, insert the upper leg into a lower leg. Make sure the button on the upper leg **"snaps"** into the hole in the lower leg.
- Repeat this procedure to assemble the other upper leg to the other lower leg.



3

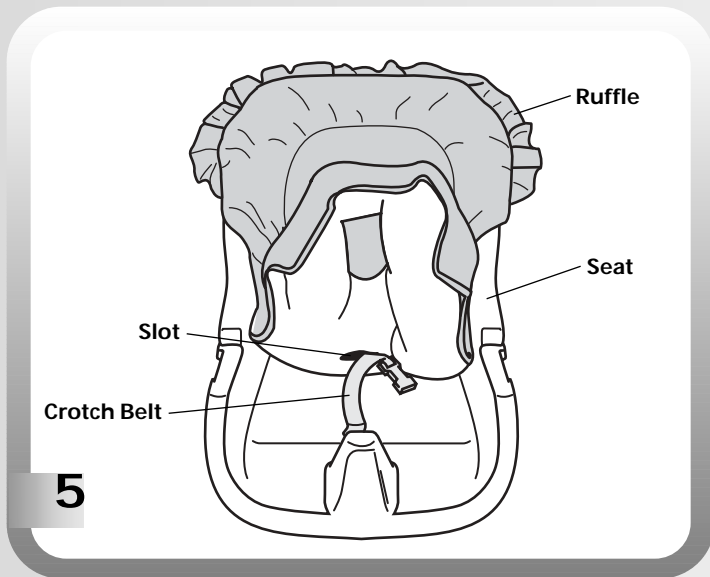
- Locate the R and L on the underside of each elbow foot. The R indicates the right leg. The L indicates the left leg.
- While pressing the upper button on the right leg, fit it into the tube in the motorized frame. Make sure the upper button on the right leg **"snaps"** into the hole in the tube.
- Repeat this procedure to assemble the left leg to the motorized frame.
- When the legs are assembled correctly to the tubes in the motorized frame, you should **not** see the red dots.



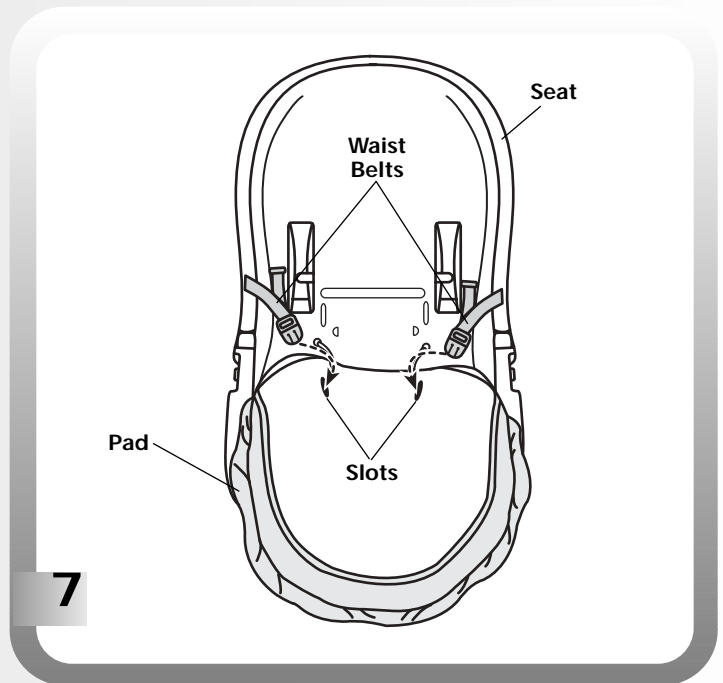
4

- Stand the assembly upright.
- Pull the legs out so that the buttons **"snap"** into the holes in the motorized frame.
- When standing behind the product, all four feet should be **flat** upon the floor. And, check for an L marking on the left foot and an R marking on the right foot.
- If the feet are not flat upon the floor, or the left and right feet have been reversed, remove both lower legs from the upper legs. Replace them onto the opposite upper leg.

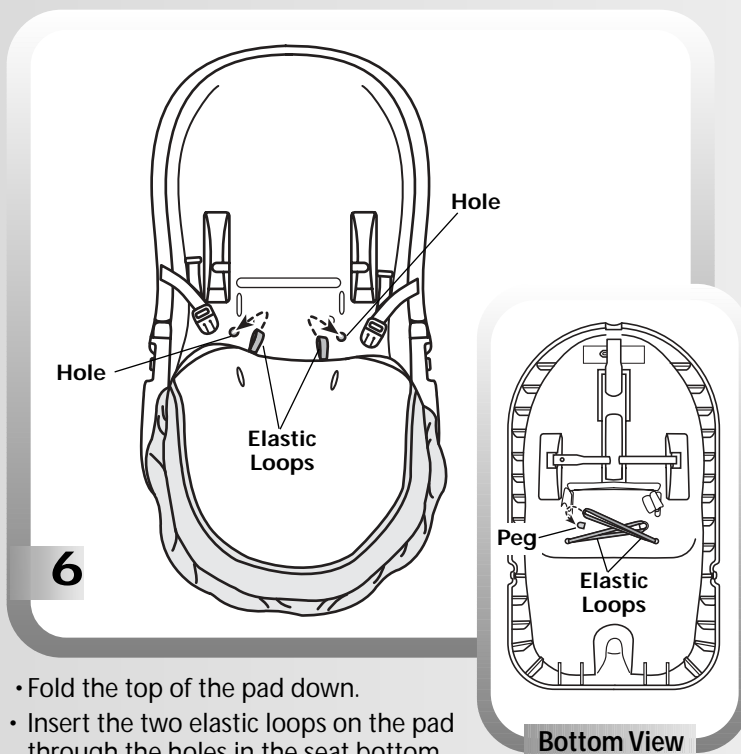
Assembly



- Position the seat upright.
- Place the pad onto the seat with the ruffle toward the top of the seat.
- Fold the bottom of the pad up. Insert the crotch belt through the slot in the pad. Make sure the crotch belt is not twisted.

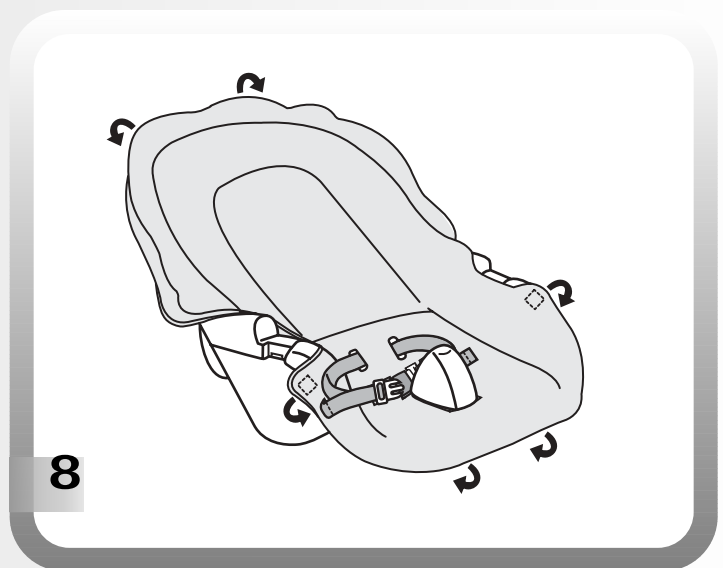


- Fold the top of the pad down. Insert the waist belts through the slots in the pad. Make sure the waist belts are not twisted.



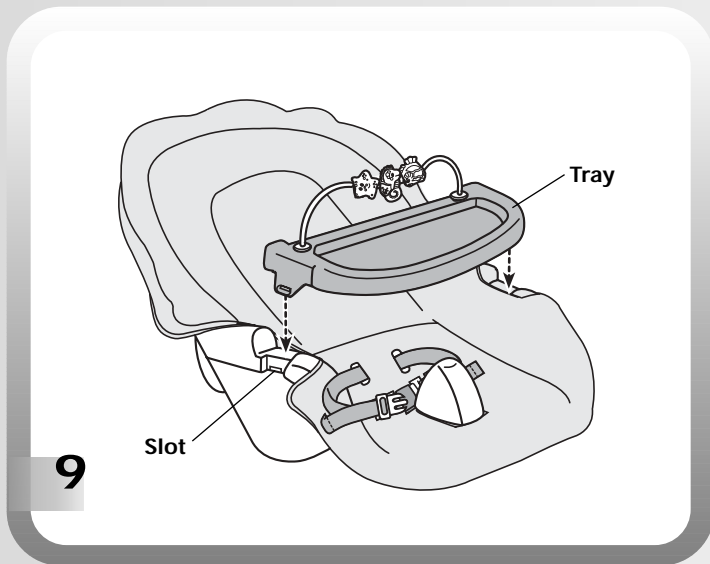
- Fold the top of the pad down.
- Insert the two elastic loops on the pad through the holes in the seat bottom
- While holding the elastic loops in place, turn the seat face down.
- Hook the elastic loop on the left side onto the peg on the right side.
- Hook the elastic loop on the right side onto the peg on the left side.

Hint: The elastic loops should cross over each other when attached correctly to the pegs.

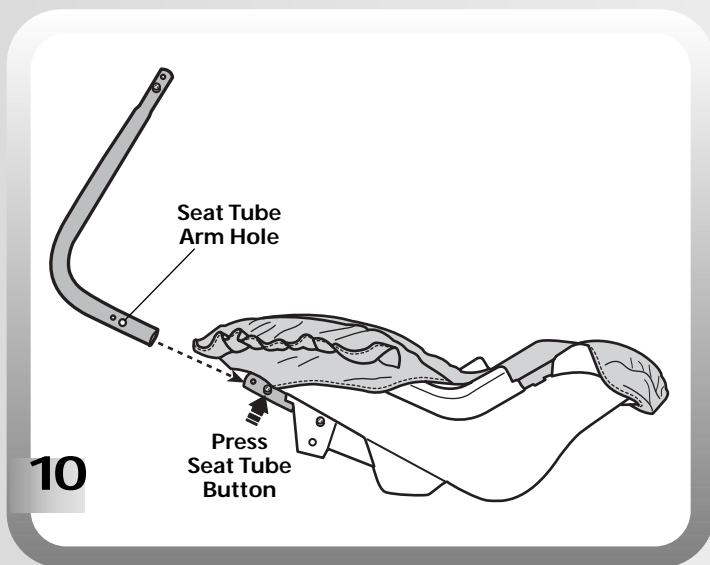


- Turn the seat upright.
- Fit the pad edges around the rim of the seat.
- Hook the two fastener straps on each side of the pad under the rim on each side of the seat.

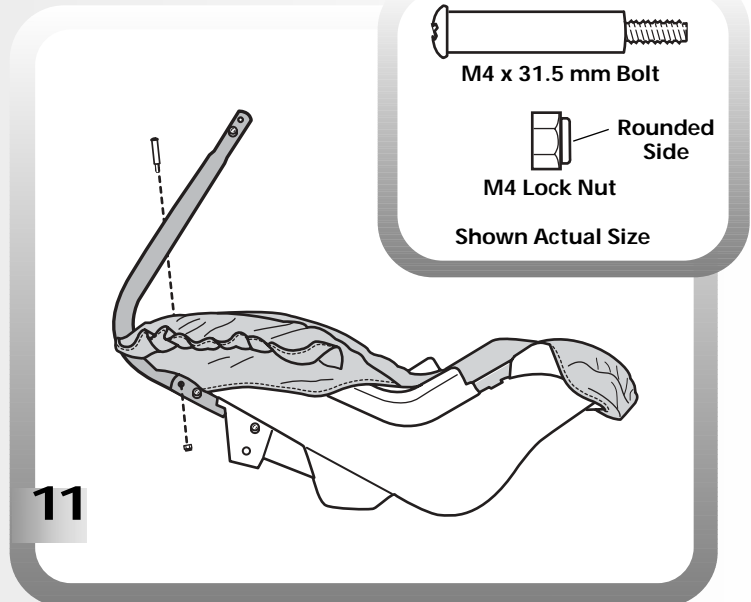
Assembly



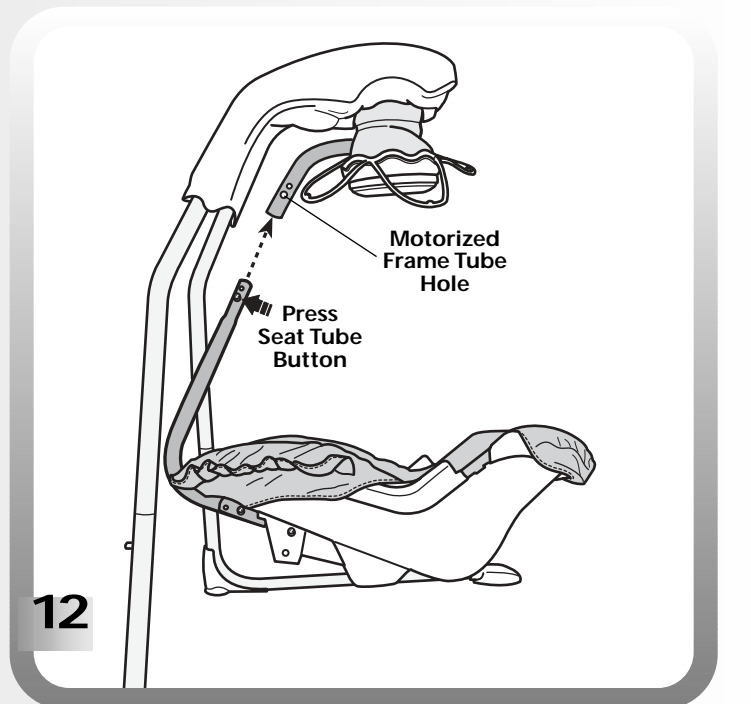
- Turn the seat upright.
- Insert the tray tabs into the slots in each side of the seat.



- While pressing the button on the seat tube, slide the seat tube arm onto the seat tube. Make sure the button on the seat tube **"snaps"** into the hole in the seat tube arm.



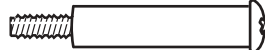
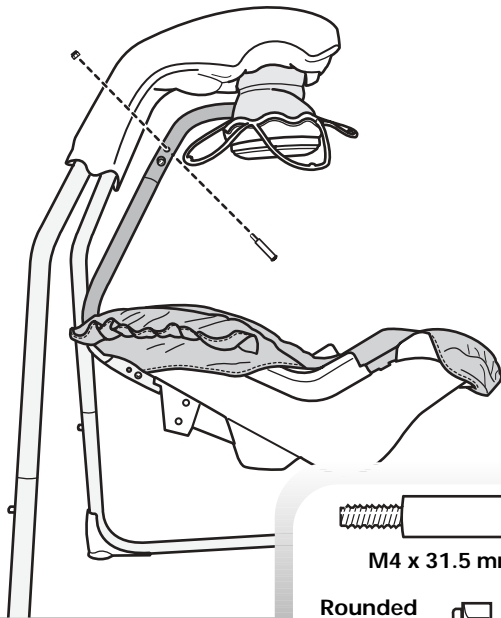
- Insert an M4 x 31.5 mm bolt through the seat tube arm and seat tube.
- Attach an M4 lock nut to the bolt. **Make sure the rounded side of the lock nut faces out.**
- Using an adjustable wrench, hold the lock nut in place. Then using a Phillips screwdriver, tighten the bolt. Do not over-tighten.



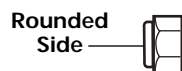
- Press the button on the seat tube and slide the seat tube into the motorized frame tube. Make sure the button on the seat tube **"snaps"** into the larger hole in the motorized frame tube.

Assembly

13



M4 x 31.5 mm Bolt

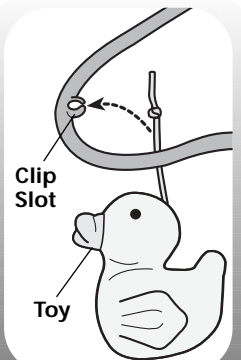
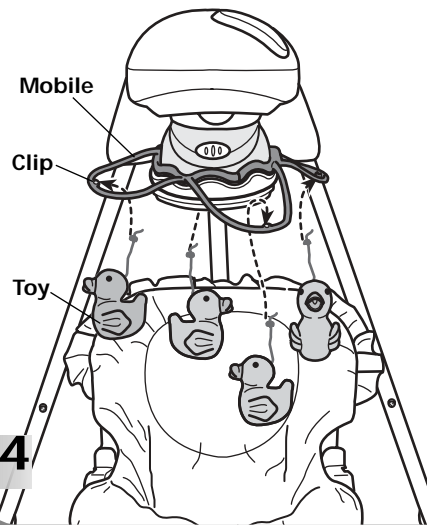


M4 Lock Nut

Shown Actual Size

- Insert a M4 x 31.5 mm bolt through smaller hole in the motorized frame tube and into the seat tube.
- Attach an M4 lock nut to the bolt. **Make sure the rounded side of the lock nut faces out.**
- Using an adjustable wrench, hold the lock nut in place. Then, using a Phillips Screwdriver, tighten the bolt. Do not over-tighten.

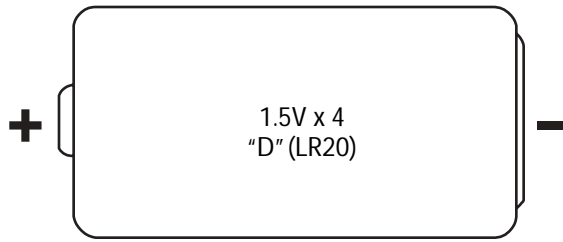
14



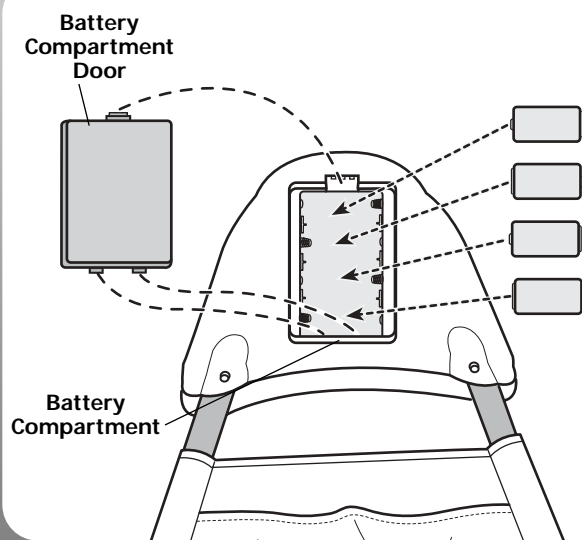
- Fit the string (below the knot) of a toy through the slot in a clip on the mobile.
- Pull down on the toy to be sure it is secure on the mobile.
- Repeat this procedure to assemble the other three toys to the mobile.

Note: Toys may be different than those shown.

Battery Installation



SHOWN ACTUAL SIZE



- Using a coin, press the tab on the battery compartment door and remove it.
- Insert four "D" (LR20) **alkaline** batteries, as indicated inside the battery compartment.

Hint: We recommend using **alkaline** batteries for longer battery life.

- Replace the battery compartment door.

Hint: If the swinging motion or mobile movement becomes noticeably slower or stops, remove the batteries and replace them with four, new "D" (LR20) **alkaline** batteries. Dispose of exhausted batteries properly.

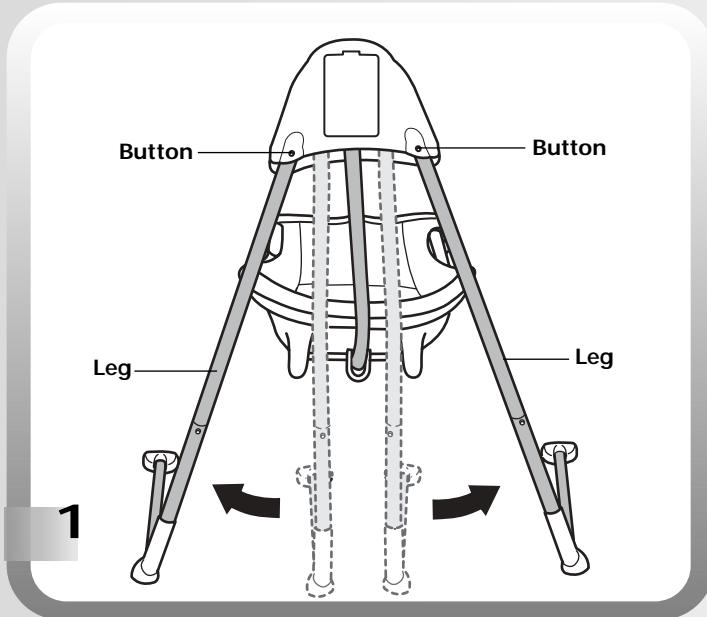
Battery Tips

- Do not mix old and new batteries.
- Do not mix different types of batteries: alkaline, standard (carbon-zinc) or rechargeable (nickel-cadmium).
- Remove the batteries during long periods of non-use. Always remove exhausted batteries from this product. Battery leakage and corrosion can damage this product. Dispose of batteries safely.
- Do not dispose of batteries in a fire. The batteries may explode or leak.
- Never short-circuit the battery terminals.
- Non-rechargeable batteries are not to be recharged.
- Only batteries of the same or equivalent type as recommended in the battery installation instructions are to be used.
- If removable rechargeable batteries are used, they are only to be charged under adult supervision.
- Rechargeable batteries are to be removed from the product before they are charged.
- If you use a battery charger, it should be examined regularly for damage to the cord, plug, enclosure and other parts. Do not use a damaged battery charger until it has been properly repaired.

Swing and Mobile Use

IMPORTANT! Before each use or assembly, inspect this product for damaged hardware, loose joints, missing parts or sharp edges. **DO NOT** use if any parts are missing or broken. Contact Fisher-Price® for replacement parts and instructions if needed. Never substitute parts.

To Unfold

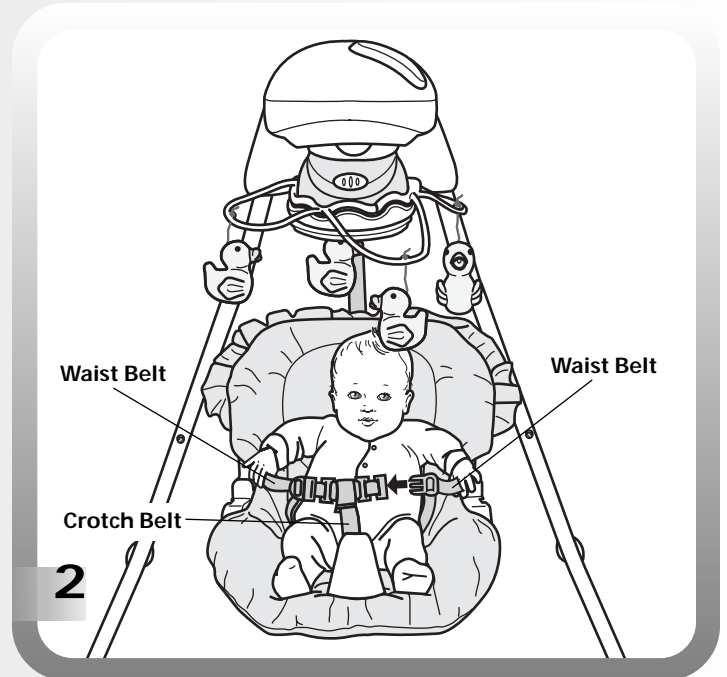


- Firmly pull the legs outward. Make sure the buttons snap into the notches in the motorized frame.
- Check to be sure the legs are locked into position by pushing the legs inward. The legs should not move.

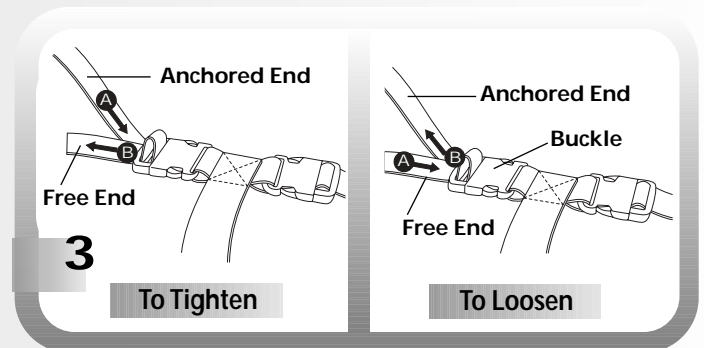
WARNING

To prevent injury or death from falls or sliding out, always use the restraint system. Never rely on the tray to restrain child.

Restraint Belts



- Place your child in the seat.
- Pull the crotch belt up between your child's legs and fasten both waist belts to the crotch belt. Make sure you hear a "click" on both sides.



To tighten the waist belts:

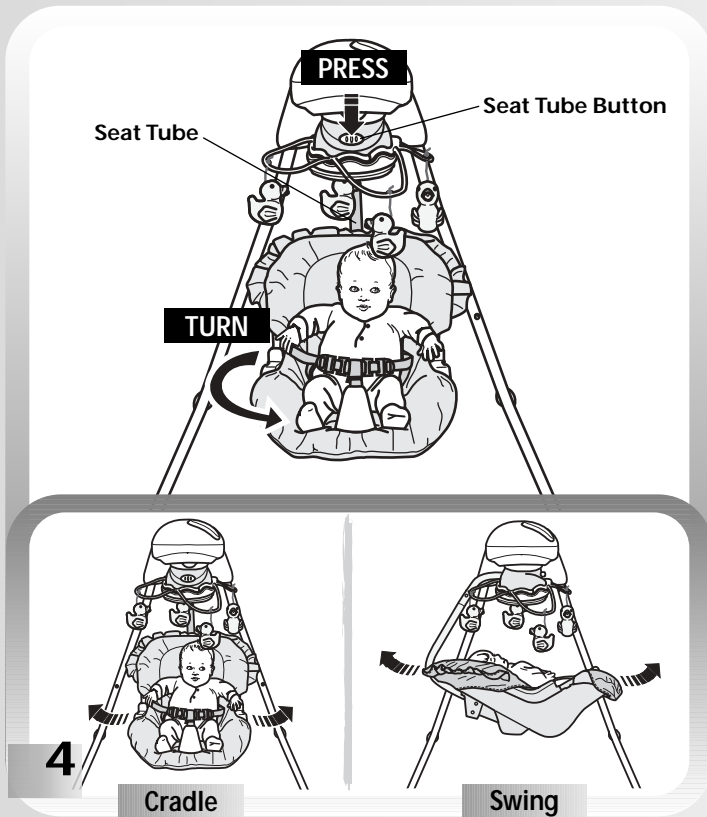
- Feed the anchored end of the waist belt up through the buckle to form a loop **A**.
- Pull the free end of the waist belt **B**.
- Repeat this procedure to tighten the other waist belt.

To loosen the waist belts:

- Feed the free end of the waist belt up through the buckle to form a loop **A**.
- Enlarge the loop by pulling on the end of the loop toward the buckle.
- Pull the anchored end of the waist belt to shorten the free end of the waist belt **B**.
- Repeat this procedure to loosen the other waist belt.

Swing and Mobile Use

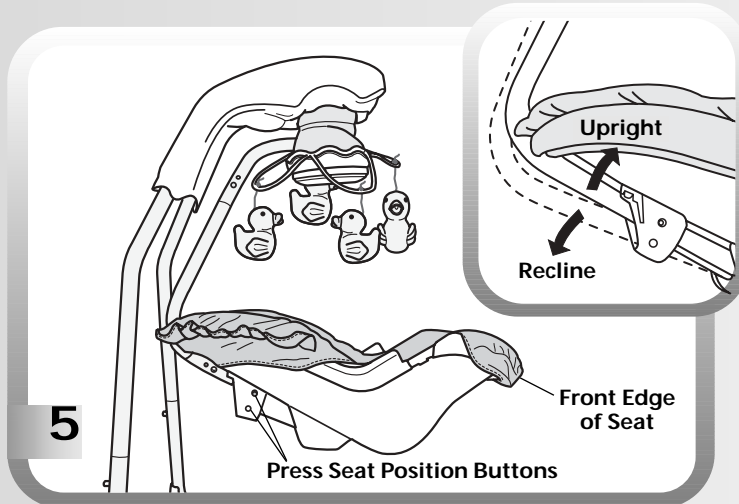
Adjust Swing Motion



You can adjust the motion of the swing: side to side or front to back.

- Press the seat tube button to unlock the seat tube.
- Rotate the seat tube to the desired position.

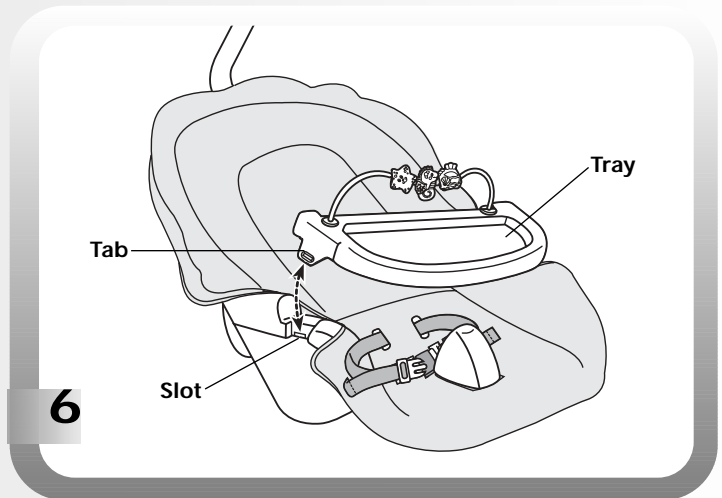
Adjust Seat to Recline or Upright



You can adjust the seat to two different positions: Recline or Upright.

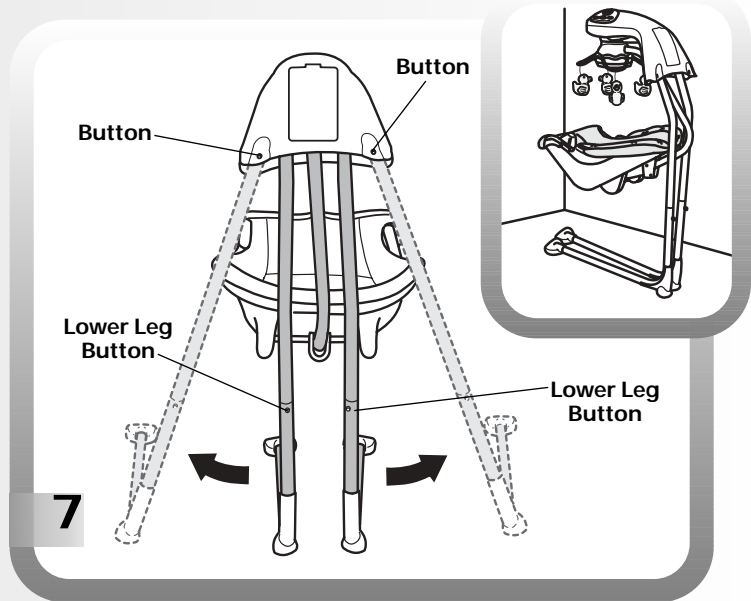
- From behind the seat, press both seat position buttons.
- Lift the seat back until the buttons “snap” into the upright position.
- Push the seat back down until the buttons “snap” into the recline position.

Using the Tray



- Fit the tabs on the tray into the slots in the sides of the seat.
- To remove the tray, pull the tab out on one side of tray and lift.

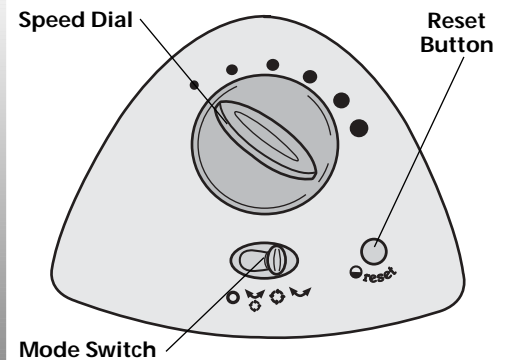
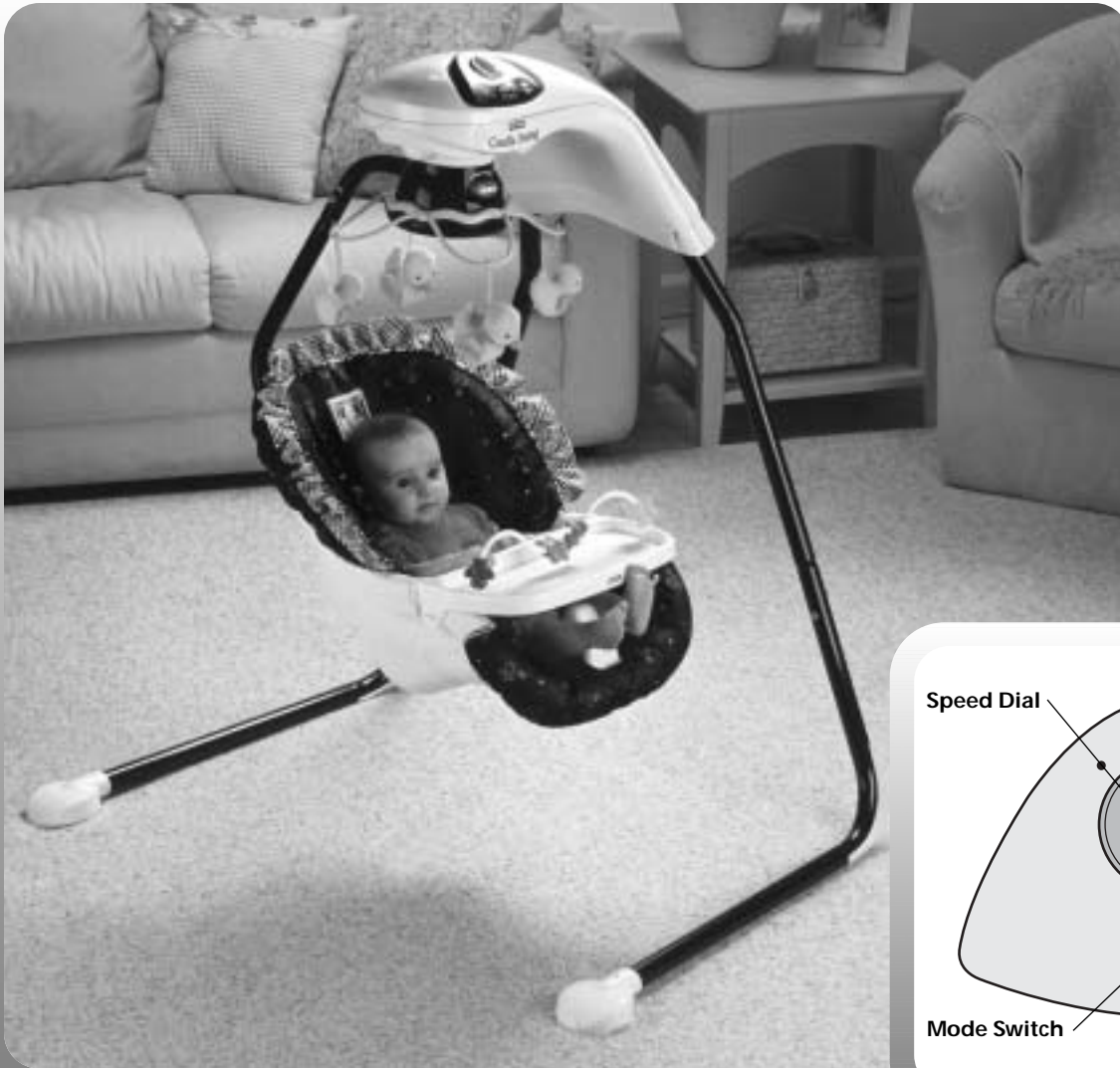
Storage



- Press the buttons on the back of the motorized frame while pushing the legs inward.
 - Lean the swing frame against a wall for storage.
- IMPORTANT!** Remove the batteries for long-term storage.

Hint: The legs may be disassembled for long-term storage. Press the button on each lower leg and remove them from the upper legs.

Swing and Mobile Use












Control Panel

- Slide the **mode switch** to:
 - ☒ Swing and Mobile
 - ☒ Swing Only
 - ☒ Mobile Only
 - Swing and Mobile Off
- Turn the **speed dial** to select any of six speed settings

Hints:

- As with most battery-powered swings, a heavier child reduces the amount of swinging motion on all settings. In most cases, the low setting works best for a smaller child while the high setting works best for a larger child.
- If the low setting provides too much swinging motion for your child, try placing one end of a blanket underneath your child and let the other end of the blanket drape down while swinging.
- The mobile turns off after approximately seven minutes. To restart the mobile, press the **reset button** for another seven minutes of use.

Problems and Solutions

Problem	Probable Cause	Solution
Motor is not running; no swinging	Mode switch is in OFF  position or  mobile only position	Slide the mode switch to  swing and mobile or  swing only.
	Batteries incorrectly installed	Remove the batteries and replace in correct orientation, as indicated inside the battery compartment.
	Dead batteries	Replace all four batteries with four, fresh "D" alkaline batteries.
Motor is running but swinging stops after a few minutes	Need to start swinging motion	To start swinging motion, give the seat a light push.
	Swing motion setting is inappropriate for child's weight	Adjust the speed dial to a higher speed setting and give the seat a light push.
	Weak batteries	Replace all four batteries with four, fresh "D" alkaline batteries.
No difference noticed in swinging motion after speed dial is adjusted	Swing did not have sufficient time to adjust to different setting	Allow the swing time to adjust to new setting.
	Weak batteries	Replace all four batteries with four, fresh "D" alkaline batteries.
Mobile does not work	Mode switch is in OFF  position or  swing only position	Slide mode switch to desired setting   .
	Mobile turns off automatically after seven minutes	Press the reset button  to restart mobile for another seven minutes.

Care

- Remove the tray from the seat.
- Unbuckle the restraint system.
- Remove the pad elastic loops from the pegs and unfasten the pad fasteners from the seat.
- Remove the pad from the restraint system.
- Remove the toys from the mobile.
- Machine wash the pad and toys in cold water with a mild detergent. Do not use bleach. Tumble dry on low heat and remove promptly.
- To clean the seat, restraint system, tray, mobile and motorized frame, use a mild cleaning agent and damp cloth. Rinse with clean water to remove residue.
- Replace the pad onto the seat.
- Replace the toys on the mobile.
- Periodically check the swing for loose fasteners or broken parts and tighten as needed.

Free Manuals Download Website

<http://myh66.com>

<http://usermanuals.us>

<http://www.somanuals.com>

<http://www.4manuals.cc>

<http://www.manual-lib.com>

<http://www.404manual.com>

<http://www.luxmanual.com>

<http://aubethermostatmanual.com>

Golf course search by state

<http://golfingnear.com>

Email search by domain

<http://emailbydomain.com>

Auto manuals search

<http://auto.somanuals.com>

TV manuals search

<http://tv.somanuals.com>