



www.fisher-price.com

H7181



Product features and decorations may vary from picture above.



## WARNING

**IMPORTANT! KEEP INSTRUCTIONS  
FOR FUTURE REFERENCE.**

- Please read these instructions before assembly and use of this product.
- Adult assembly is required.
- Tool needed for assembly: Phillips Screwdriver (not included).
- Requires four "C" (LR14) **alkaline** batteries for operation (not included).
- Weight Limit: 9 kg (20 lbs).

**IMPORTANT!** The maximum weight limit for this product is 9 kg (20 lbs). If your child weighs less than 9 kg (20 lbs), but is really active and appears to be able to climb out of the swing, immediately discontinue its use.



## WARNING

To prevent serious injury or death from falls and being strangled in the restraint system:

- Always use the restraint system.
- Not recommended for children who can sit up by themselves (6 months approximately, until 9 kg, 20 lbs).
- Never leave the child unattended.
- It is dangerous to use this product on an elevated surface.

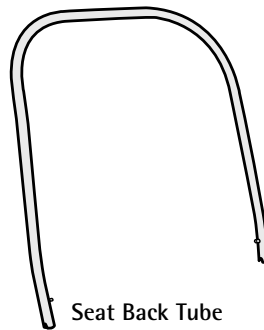


## CAUTION

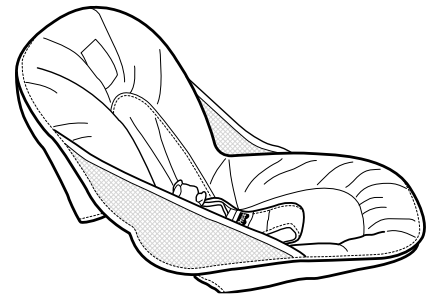
This package contains small parts in its unassembled state.

Adult assembly is required.

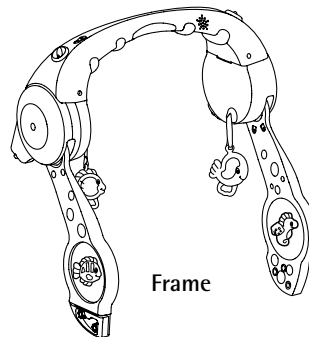
## Parts



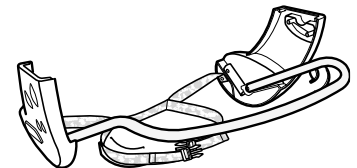
Seat Back Tube



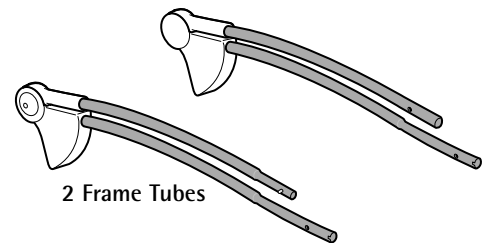
Pad



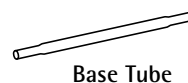
Frame



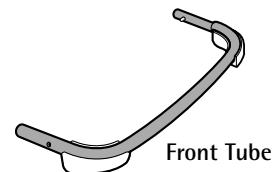
Lower Swing Arm Assembly (with Restraint System)



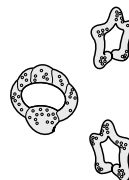
2 Frame Tubes



Base Tube



Front Tube



3 Link Toys



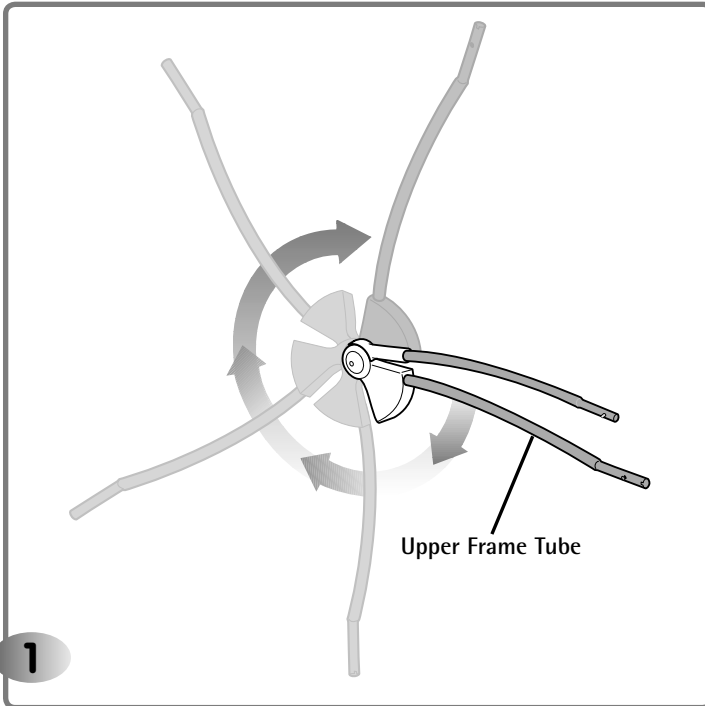
#6 x 1.9 cm Screw - 4

Shown Actual Size

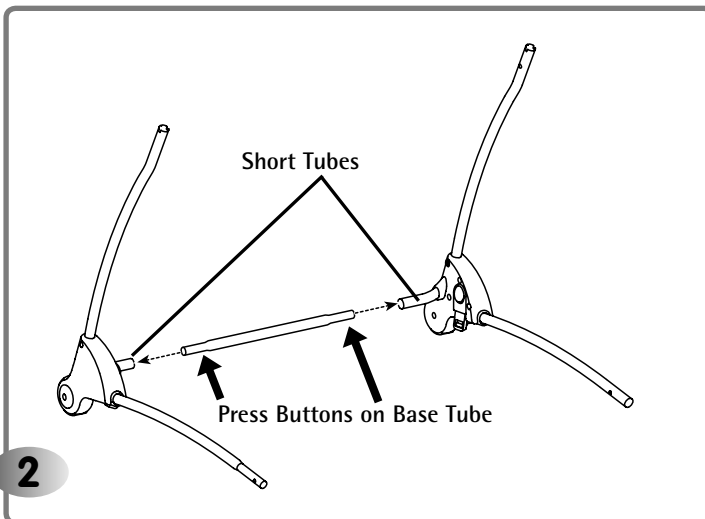
**NOTE:** Tighten and loosen all screws with a Phillips screwdriver. Do not over-tighten the screws.

# Assembly

**IMPORTANT!** Before assembly, inspect this product for damaged hardware, loose joints, missing parts or sharp edges. DO NOT use if any parts are missing or broken. Contact Mattel for replacement parts and instructions if needed. Never substitute parts.

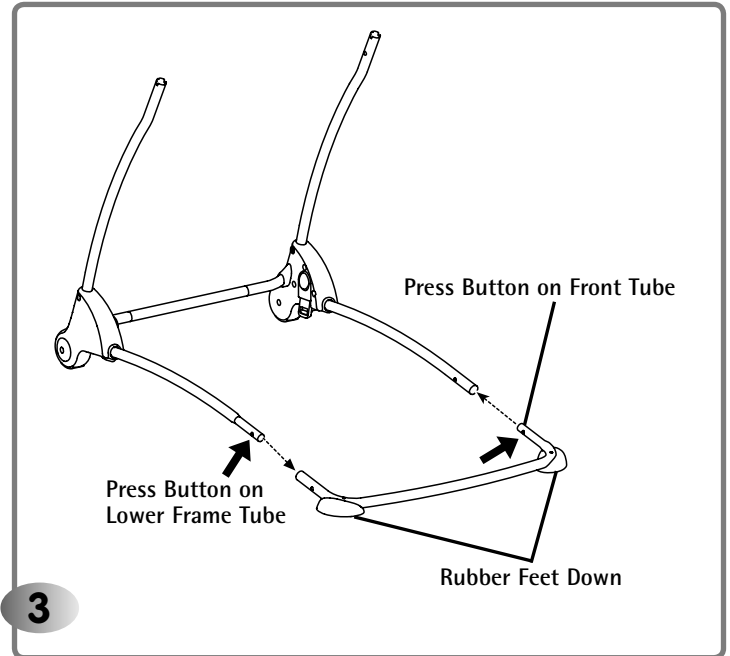


- Rotate the upper frame tube until it "snaps" into an upright position, as shown.



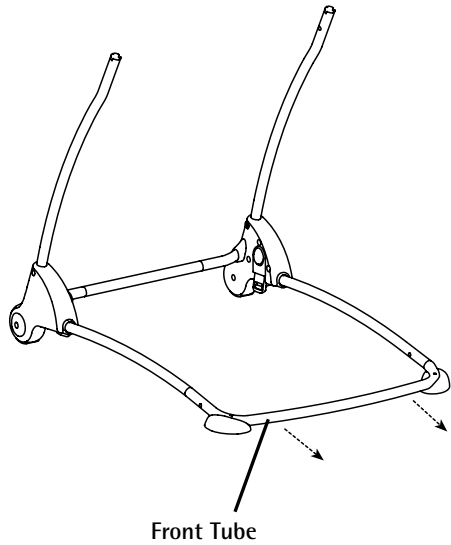
- While pressing the button on the base tube, insert it into a short tube on a frame tube.
- Push the base tube until it "clicks" into place.
- While pressing the button on the other end of the base tube, insert it into the short tube on the other frame tube.
- Push the base tube until it "clicks" into place.

**Hint:** You may need the help of another adult to hold the frame tubes while you assemble the base tube to them.



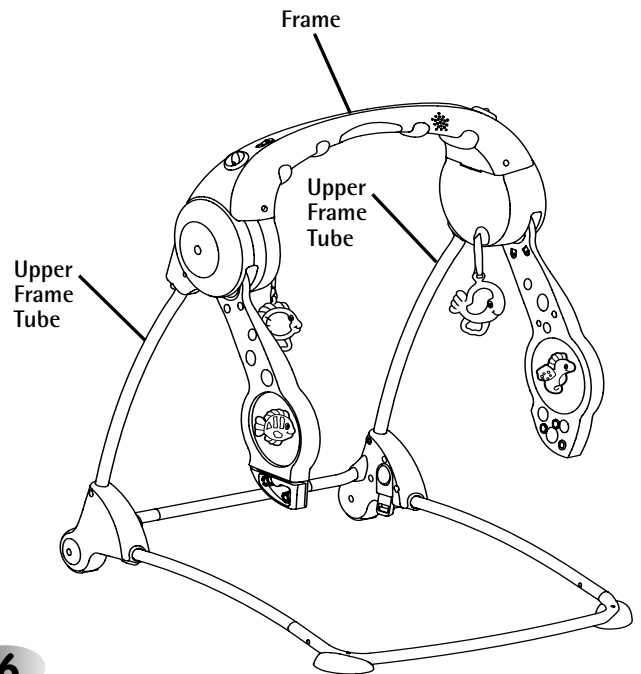
- Position the front tube so that the rubber feet are flat on the surface.
- While pressing the button on the lower frame tube, insert it into an end of the front tube. Continue to insert the lower frame tube into the front tube until you hear a "click".
- While pressing the button on the front tube, insert it into the end of the lower frame tube. Continue to insert the front tube into the lower frame tube until you hear a "click".

# Assembly



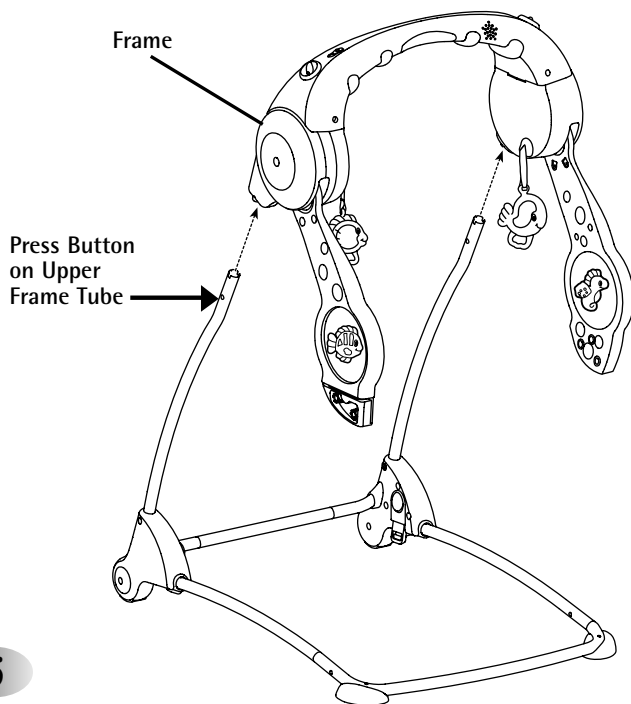
4

- Pull the front tube to be sure it is secure to each lower frame tube.



6

- Check to be sure the upper frame tubes are secure in the frame. If you can remove the upper frame tubes from the frame, you have not properly inserted the tubes into the frame. Repeat Assembly step 5.

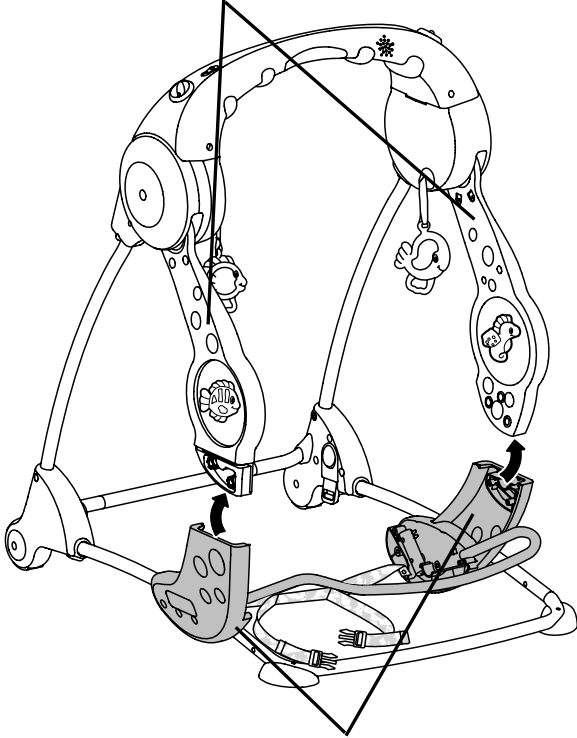


5

- Insert the upper frame tubes into the frame until you hear a "click" on both sides.

# Assembly

Upper Swing Arms



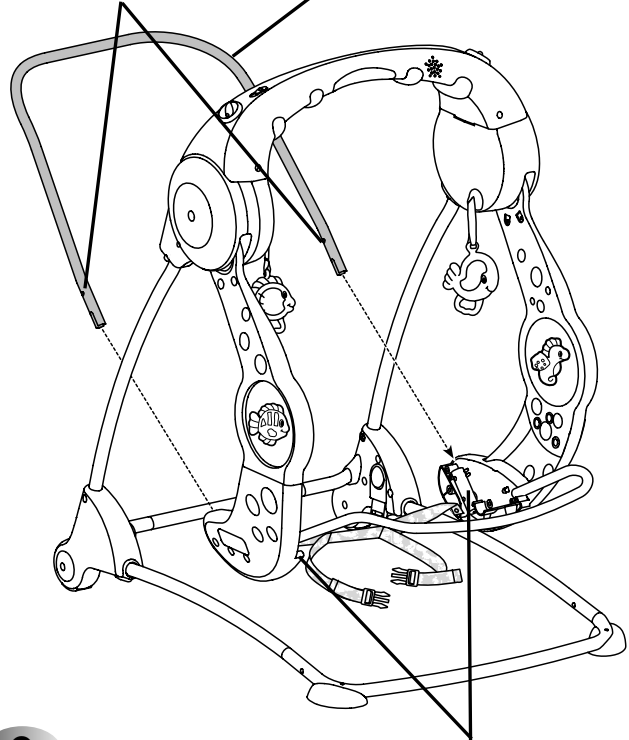
7

Lower Swing Arm Assembly  
(with Restraint System)

- Fit the lower swing arm assembly to the outside of each upper swing arm.

Seat Back Tube

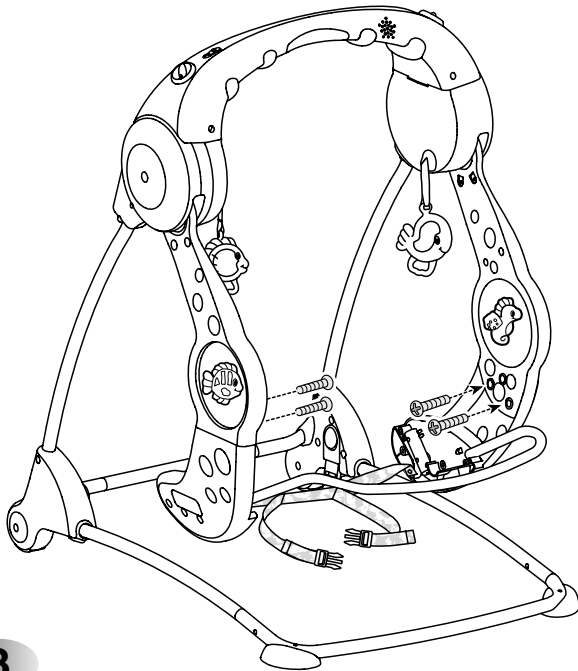
Buttons



9

Swing Arm Short Tubes

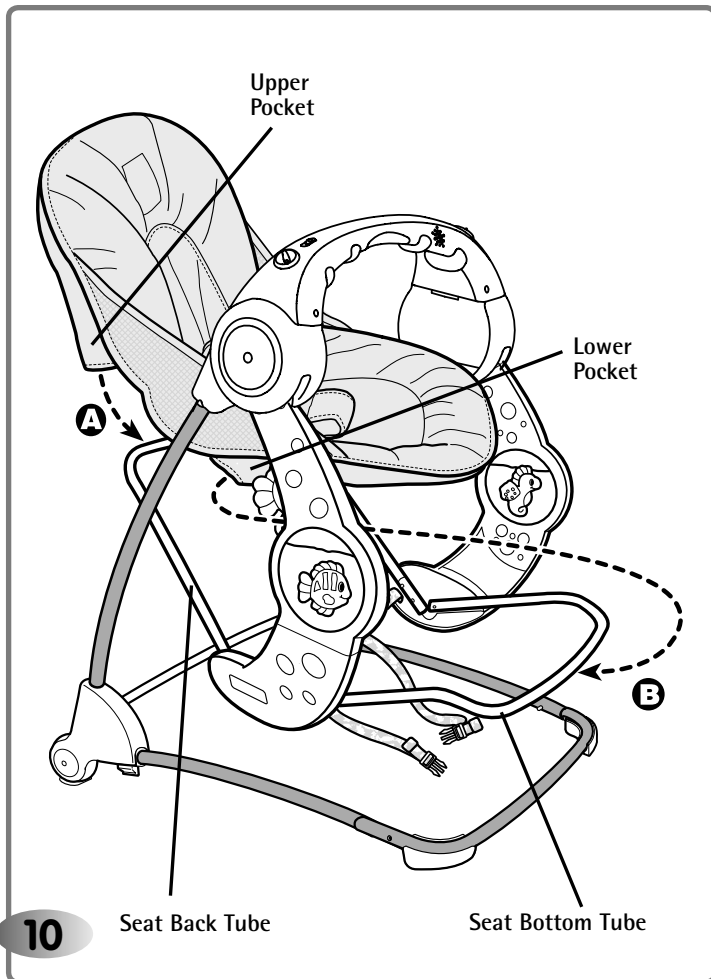
- Position the seat back tube so that it curves toward the back of the swing.
- While pressing the buttons on the seat back tube, fit the seat back tube into the short tubes on the swing arms.
- Push the seat back tube until it "clicks" into place.
- Pull up on the seat back tube to be sure it is secure to the swing arms.



8

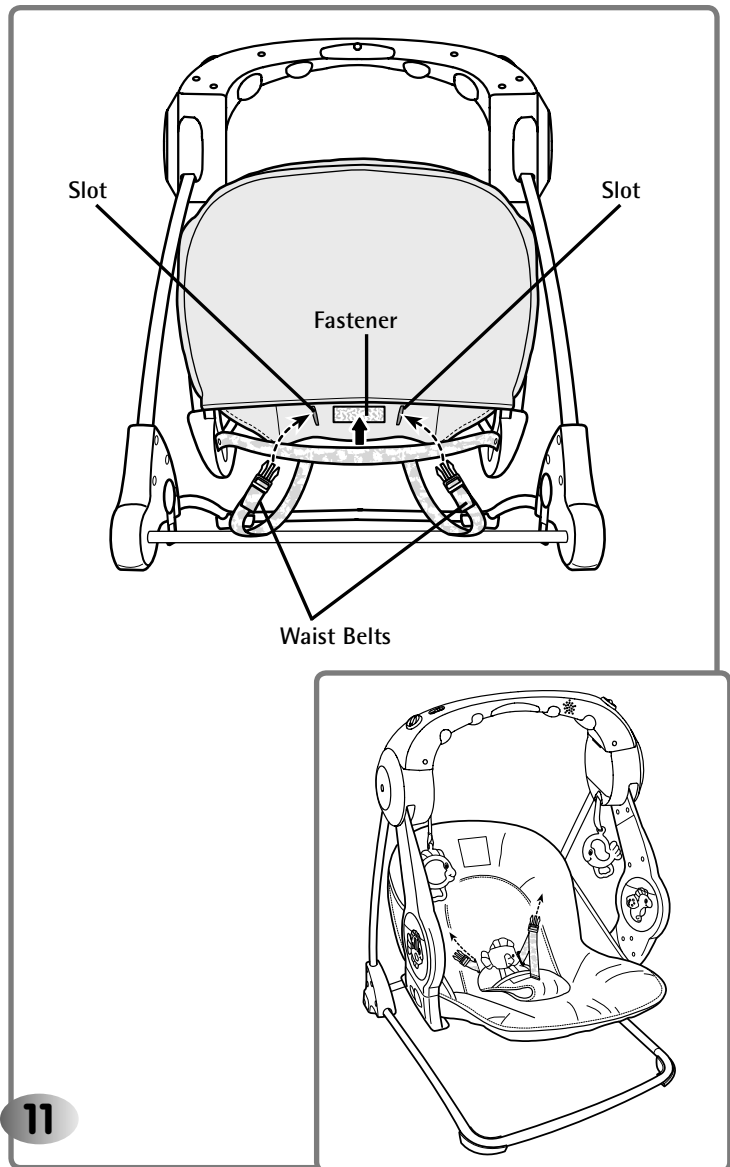
- Insert two #6 x 1.9 cm screws through each upper swing arm and into each lower swing arm. Tighten the screws.

# Assembly



10

- Fit the upper pocket on the pad over the seat back tube **A**.
- Lift the seat bottom tube. Fit the lower pocket on the pad over the seat bottom tube **B**.



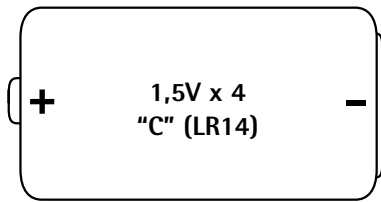
11

- From behind the seat, insert the waist belts into the slots in the pad.
- Push to fasten the restraint system to the pad.

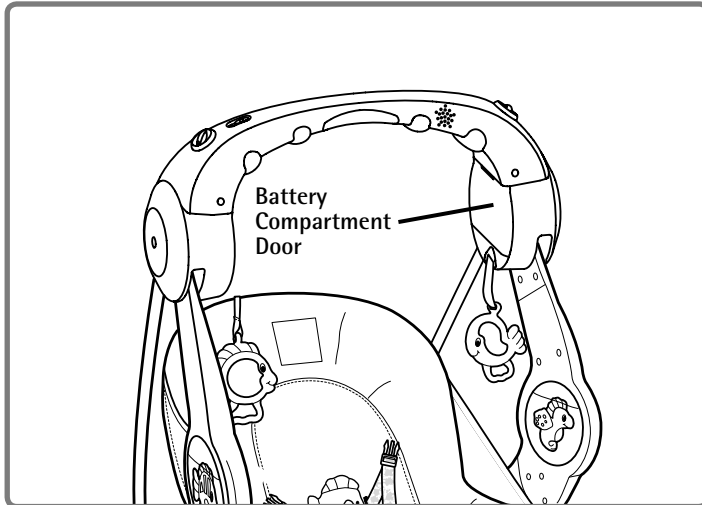
Assembly is now complete.

## Battery Installation

*Hint: We recommend using **alkaline** batteries for longer battery life.*



Shown Actual Size



- Insert a coin into the battery compartment door and pry the battery compartment door off.
- Insert four "C" (LR14) **alkaline** batteries as indicated inside the battery compartment.
- Replace the battery compartment door.

## Battery Safety Information

**Batteries may leak fluids that can cause a chemical burn injury or ruin your product. To avoid battery leakage:**

- Do not mix old and new batteries or batteries of different types: alkaline, standard (carbon-zinc) or rechargeable (nickel-cadmium).
- Insert batteries as indicated inside the battery compartment.
- Remove batteries during long periods of non-use. Always remove exhausted batteries from the product. Dispose of batteries safely. Do not dispose of batteries in a fire. The batteries may explode or leak.
- Never short-circuit the battery terminals.
- Use only batteries of the same or equivalent type as recommended.
- Do not charge non-rechargeable batteries.
- Remove rechargeable batteries from the product before charging.
- If removeable, rechargeable batteries are used, they are only to be charged under adult supervision.

## Setup and Use

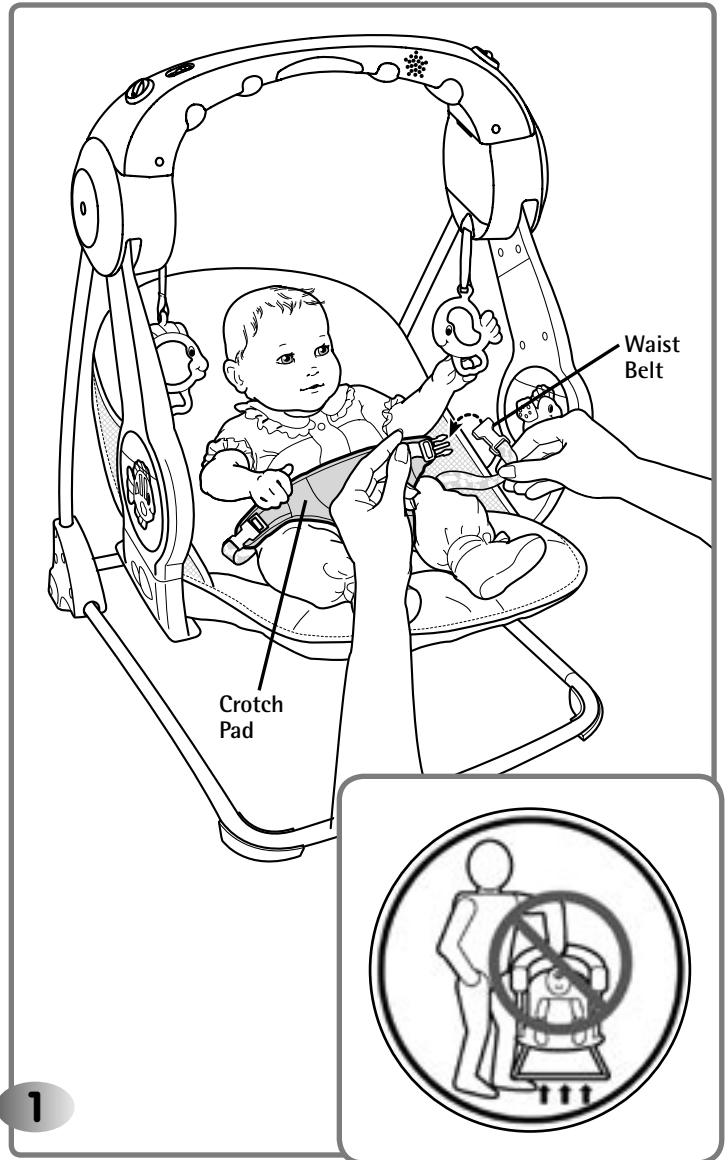


### WARNING

To prevent serious injury or death from falls and being strangled in the restraint system:

- Always use the restraint system.
- Not recommended for children who can sit up by themselves (6 months approximately, until 9 kg (20 lbs)).
- Never leave the child unattended.
- It is dangerous to use this product on an elevated surface.

**IMPORTANT!** Before each use, inspect this product for damaged hardware, loose joints, missing parts or sharp edges. DO NOT use if any parts are missing or broken. Contact Mattel for replacement parts and instructions if needed. Never substitute parts.



1

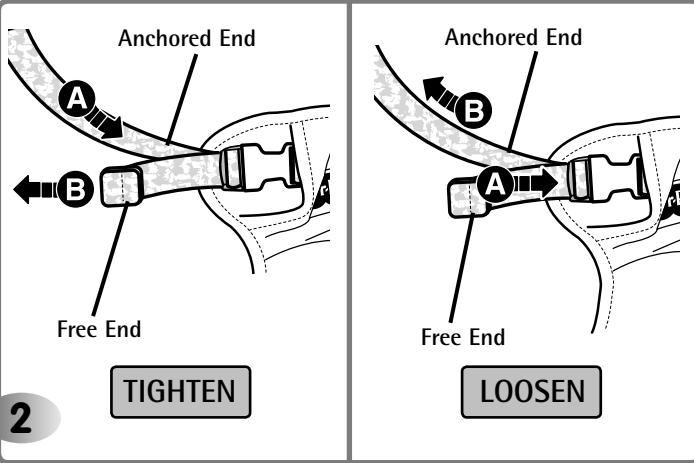
#### Securing your Child

- Place your child in the seat. Position the crotch pad between your child's legs.
- Fasten the waist belts to the crotch pad. **Make sure you hear a "click" on both sides.**
- Check to be sure the restraint system is securely attached by pulling it away from your child. The restraint system should remain attached.

**IMPORTANT!** Do not lift this product while your child is in it.



# Setup and Use



## To tighten the restraint straps:

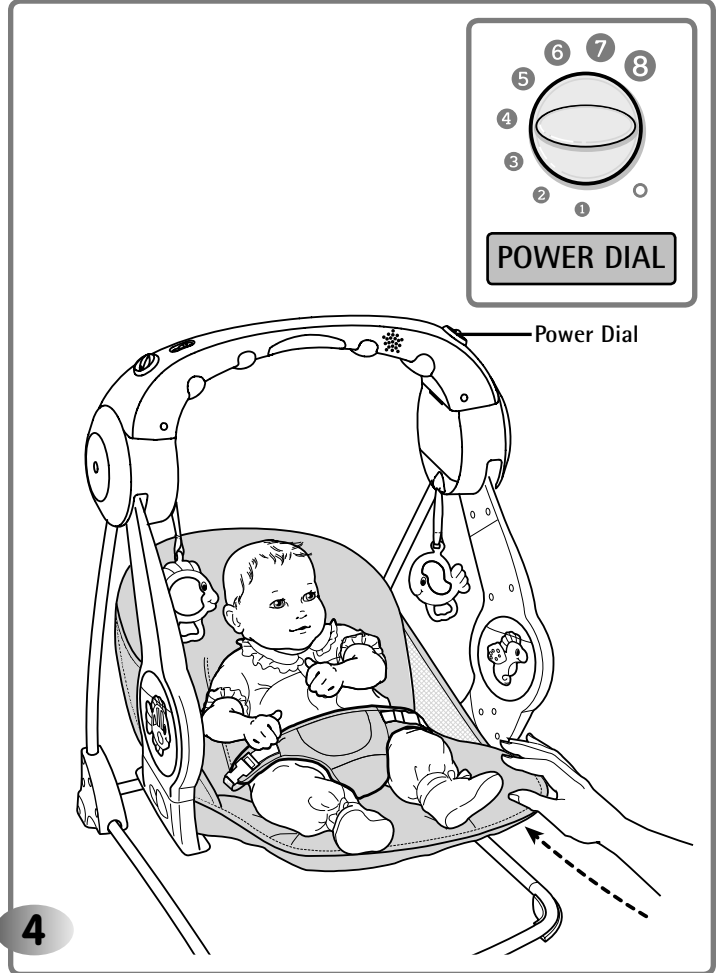
- Feed the anchored end of the restraint strap up through the buckle to form a loop **A**. Pull the free end of the restraint strap **B**.

## To loosen the restraint straps:

- Feed the free end of the restraint strap up through the buckle to form a loop **A**. Enlarge the loop by pulling on the end of the loop toward the buckle. Pull the anchored end of the restraint strap to shorten the free end of the restraint strap **B**.



- Fit the link toys to either of the hanging toys on the swing.



## Starting the Swing

- Turn the power dial to any of eight settings.
  - Give the seat a light push to start the swinging motion. Adjust the swing power dial to the desired swing motion setting.
- Hint:** As with most battery-powered swings, a heavier child will reduce the amount of swinging motion on all settings. In most cases, the low setting works best for a smaller child while the high setting works best for a larger child.
- If swinging stops while using a lower setting, try a higher setting. Give the seat a light push to start the swinging motion again.
  - Be sure to turn this product off when not in use. Turn the power dial to the off setting **0**.

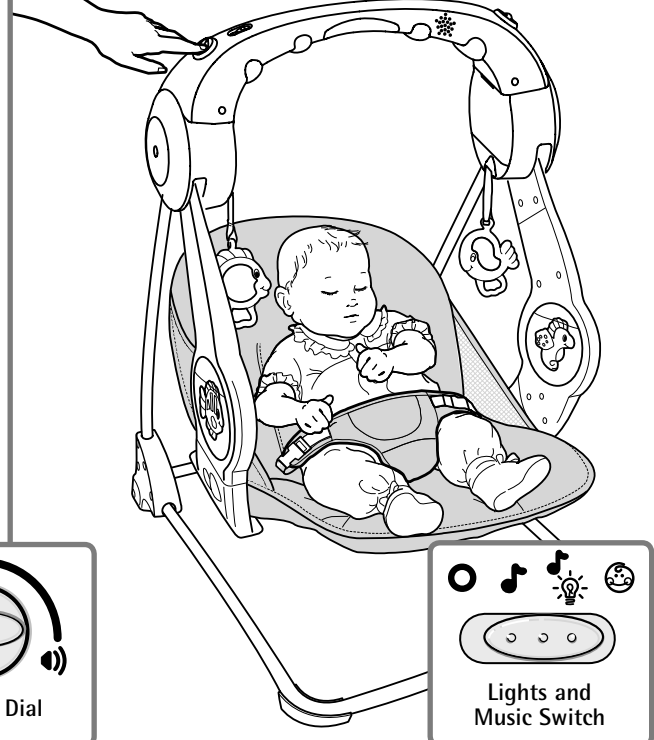
**IMPORTANT!** The maximum weight limit for this product is 9 kg (20 lbs). If your child weighs less than 9 kg (20 lbs), but is really active and appears to be able to climb out of the swing, immediately discontinue its use.

## Setup and Use

Baby Activated



Parent Activated

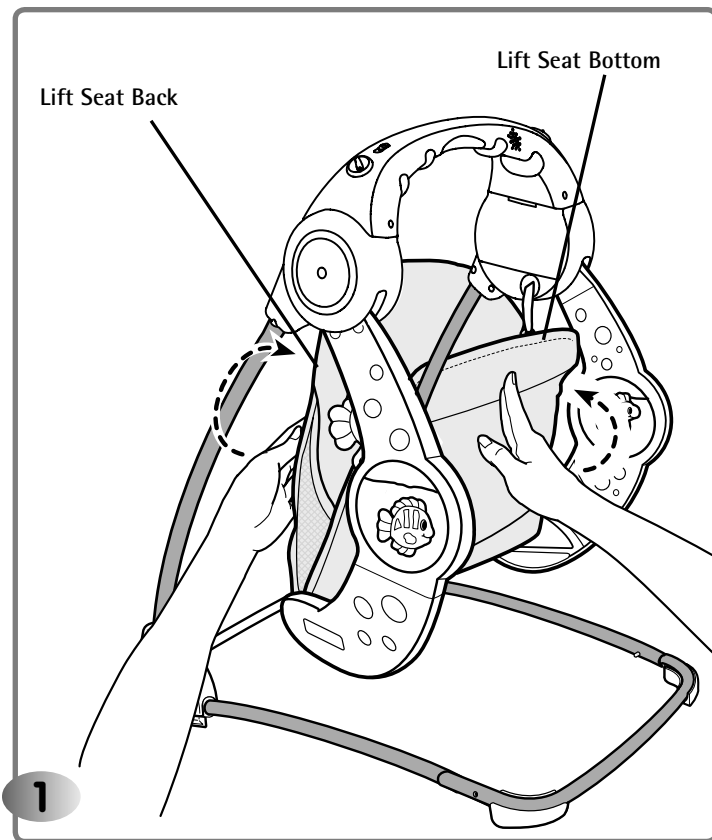


**Hint:** Your baby can enjoy lights and music with or without swinging.

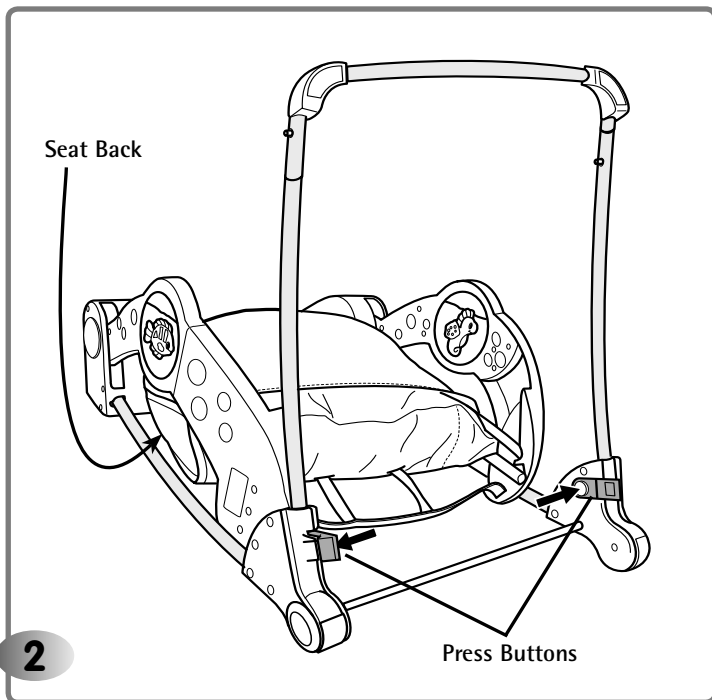
- Slide the lights and music switch to:
  - ☺ When baby pulls either toy on the arch, one tune plays along with twinkling lights.
  - 💡 On this setting, six tunes (approximately 10 minutes) play along with dancing lights.
  - 🎵 On this setting, music plays for about 10 minutes.
  - Turns lights and music off.
- Turn the volume dial to a comfortable listening level.

**IMPORTANT!** Low battery power may cause this product to operate erratically (no sounds/movement) and the product may not turn off. Remove and throw away all four batteries and replace with four, new "C" (LR14) **alkaline** batteries.

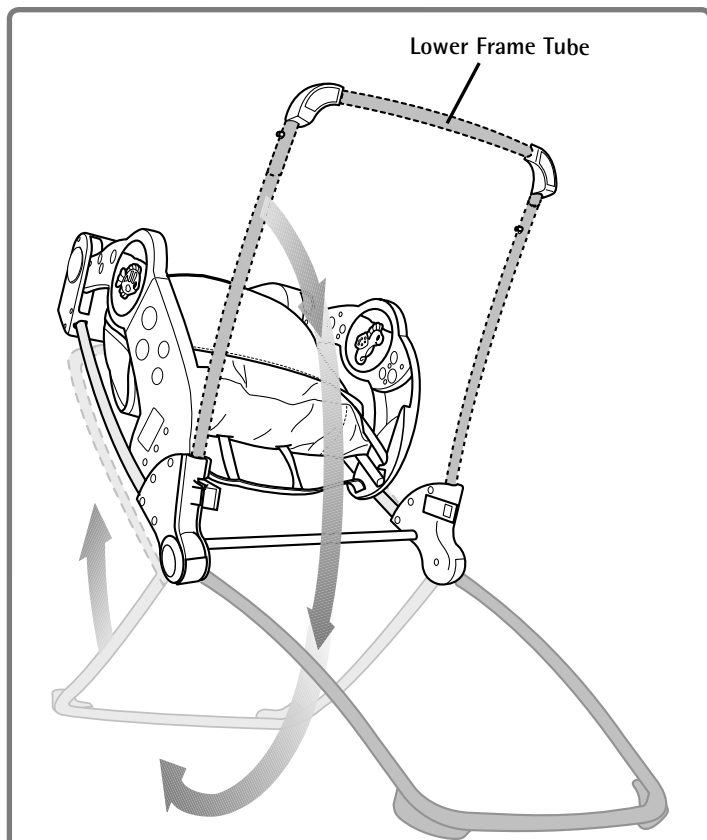
# Take-Along



- Lift the seat back and seat bottom together.



- Tip the swing backwards with the seat back down.
- Press both buttons on the frame at the same time to release the frame base.

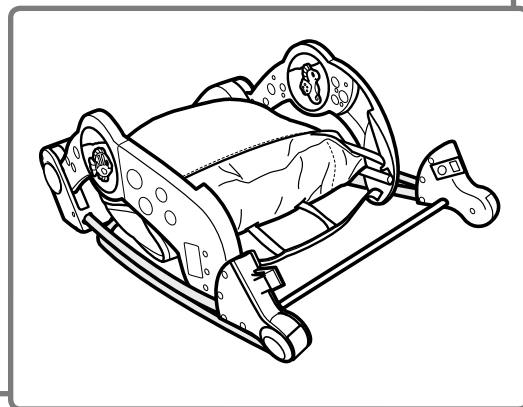


3

- Rotate the lower frame tube around to the top of frame, as shown.

### To set the swing back up for use:

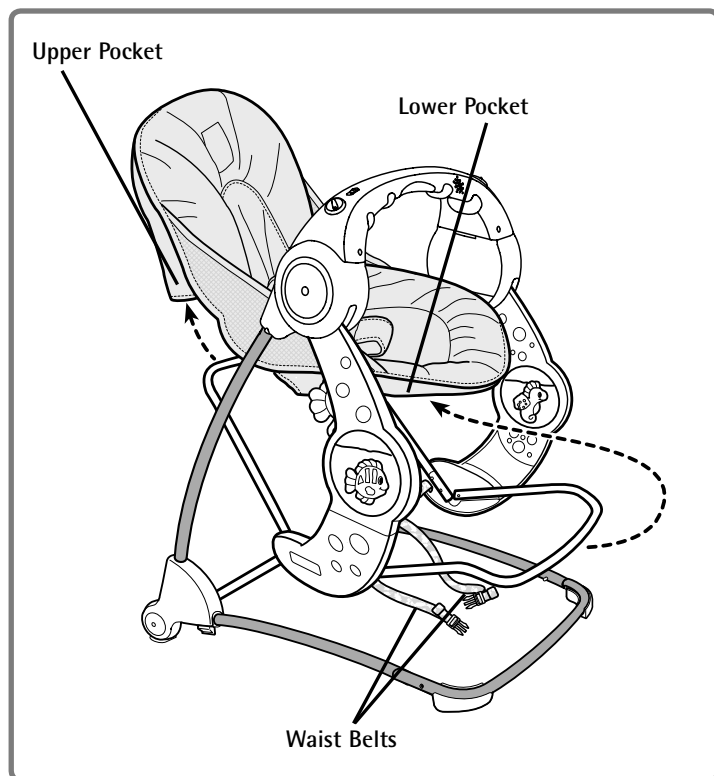
- Rotate the lower frame tube around until it snaps into place.
- Place the swing on a non-elevated, flat surface.



## Care

- The frame, pad and toys may be wiped clean using a mild cleaning solution and a damp cloth. Do not immerse the frame.
- This product has no consumer serviceable parts. Do not take this product apart.

**IMPORTANT!** Never use this product without the provided pad. Be sure to re-attach the provided pad (with restraint system) to this product.



### To remove the pad:

- Push the waist belts back through the slots in the pad.
- Unfasten and slide the pad upper pocket off of the seat back.
- Unfasten and slide the pad bottom pocket off of the seat bottom.

### To replace the pad:

- Refer to Assembly steps 10 and 11.

## Consumer Information

### GREAT BRITAIN

Helpline: 01628 500302. Or write to: Mattel UK Ltd, Vanwall Business Park, Maidenhead SL6 4UB.

### AUSTRALIA

Mattel Australia Pty. Ltd., 658 Church Street, Locked Bag #870, Richmond, Victoria 3121 Australia. Consumer Advisory Service 1300 135 312.

### NEW ZEALAND

16-18 William Pickering Drive, Albany 1331, Auckland.

### ASIA

Mattel East Asia Ltd, Room 1106, South Tower, World Finance Centre, Harbour City, Tsimshatsui, HK, China.

### MALAYSIA

Diimport & Diedarkan Oleh: Mattel SEA Ptd Ltd. (993532-P)  
Lot 13.5, 13th Floor, Menara Lien Hoe, Persiaran Tropicana Golf Country Resort, 47410 PJ. Tel: 03-78803817, Fax: 03-78803867.

## Free Manuals Download Website

<http://myh66.com>

<http://usermanuals.us>

<http://www.somanuals.com>

<http://www.4manuals.cc>

<http://www.manual-lib.com>

<http://www.404manual.com>

<http://www.luxmanual.com>

<http://aubethermostatmanual.com>

Golf course search by state

<http://golfingnear.com>

Email search by domain

<http://emailbydomain.com>

Auto manuals search

<http://auto.somanuals.com>

TV manuals search

<http://tv.somanuals.com>