

# Fisher-Price®

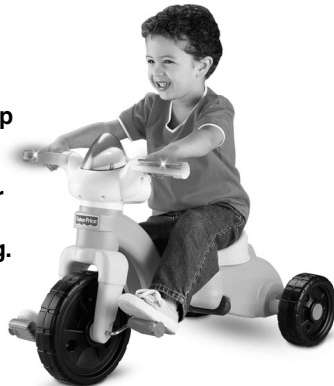
## Rock, Roll 'n Ride™ Deluxe Trike

Model Number: B2488

Music and lights respond  
to baby's rocking motion.



Remove the handle, flip up  
the footrest and  
let them take off  
on their own! Cool motor  
sounds and dashboard  
lights encourage pedaling.



Handle helps toddlers roll along.  
Turn signals flash, music plays  
when they steer left or right!



Please read these instructions carefully and identify all parts before assembly. Refer to the parts page for identification.

Keep this instruction sheet for future reference, as it contains important information.

Adult assembly is required.

This product requires three "AA" batteries (included) to operate lights and sounds.

Maximum Weight Limit: 50 lbs (23 kg). For ages: 1½ years - 5 years.

Tools needed for assembly: Phillips Screwdriver, Hammer and Scrap Block of Wood (all not included).

If you have any questions about this product, or are missing a part, please call us toll-free at **1-800-432-5437**, rather than return this product to the store.

[www.fisher-price.com](http://www.fisher-price.com)

## Consumer Information

### **WARNING**

#### To avoid serious injury:

- Adult supervision is required.
- Never use near cars and other motor vehicles, near streets, steps, sloped driveways, hills, roadways, alleys, swimming pools or other bodies of water.
- Always wear shoes or sneakers.
- Never allow more than one (1) rider.

Call Fisher-Price® Consumer Relations, toll-free at **1-800-432-5437**, 8 AM - 6 PM EST Monday through Friday. Hearing-impaired consumers using TTY/TDD equipment, please call 1-800-382-7470.

Or, write to:

Fisher-Price® Consumer Relations  
636 Girard Avenue  
East Aurora, New York 14052, U.S.A.

## FCC Statement (United States Only)

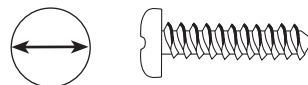
This equipment has been tested and found to comply with the limits for a Class B digital device, pursuant to part 15 of the FCC rules. These limits are designed to provide reasonable protection against harmful interference in a residential installation. This equipment generates, uses and can radiate radio frequency energy and, if not installed and used in accordance with the instructions, may cause harmful interference to radio communications. However, there is no guarantee that interference will not occur in a particular installation. If this equipment does cause harmful interference to radio or television reception, which can be determined by turning the equipment off and on, the user is encouraged to try to correct the interference by one or more of the following measures:

- Reorient or relocate the receiving antenna.
- Increase the separation between the equipment and receiver.
- Connect the equipment into an outlet on a circuit different from that to which the receiver is connected.
- Consult the dealer or an experienced radio/TV technician for help.

**NOTE:** Changes or modifications not expressly approved by the manufacturer responsible for compliance could void the user's authority to operate the equipment.

## Fasteners

**Tighten and loosen all screws with a Phillips screwdriver. Do not over-tighten screws.**



**#10 x 3/4" Screw - 11**



**#8 x 3/4" Screw - 13**



**Cap Nut - 2\***



**#8 x 4" Screw - 1**

**All SHOWN ACTUAL SIZE**

**\*Note:** For your convenience, an extra cap nut is included.

#### For countries outside the United States:

##### CANADA

Questions? **1-800-567-7724**, Mattel Canada Inc.,  
6155 Freemont Blvd., Mississauga, Ontario L5R 3W2.

##### GREAT BRITAIN

Mattel UK Ltd, Vanwall Business Park, Maidenhead SL6 4UB.  
Helpline: 01628 500302.

##### AUSTRALIA

Mattel Australia Pty. Ltd., 658 Church Street, Locked Bag #870, Richmond,  
Victoria 3121 Australia. Consumer Advisory Service  
1300 135 312.

##### NEW ZEALAND

16-18 William Pickering Drive, Albany 1331, Auckland.

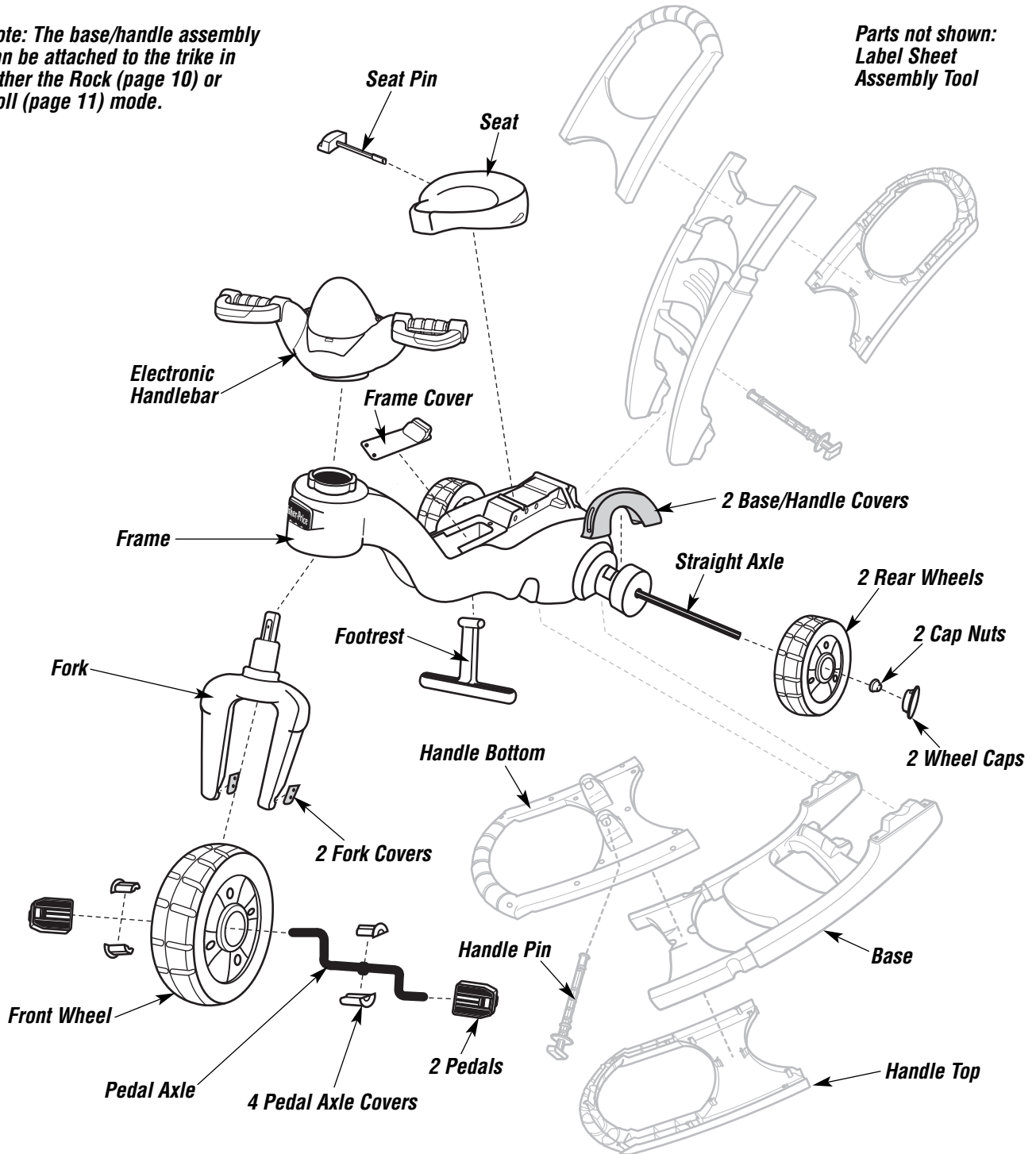
##### ASIA

Mattel East Asia Ltd, Room 1106, South Tower, World Finance Centre, Harbour  
City, Tsimshatsui, HK, China.

# Parts

**Note:** The base/handle assembly can be attached to the trike in either the Rock (page 10) or Roll (page 11) mode.

**Parts not shown:**  
Label Sheet  
Assembly Tool

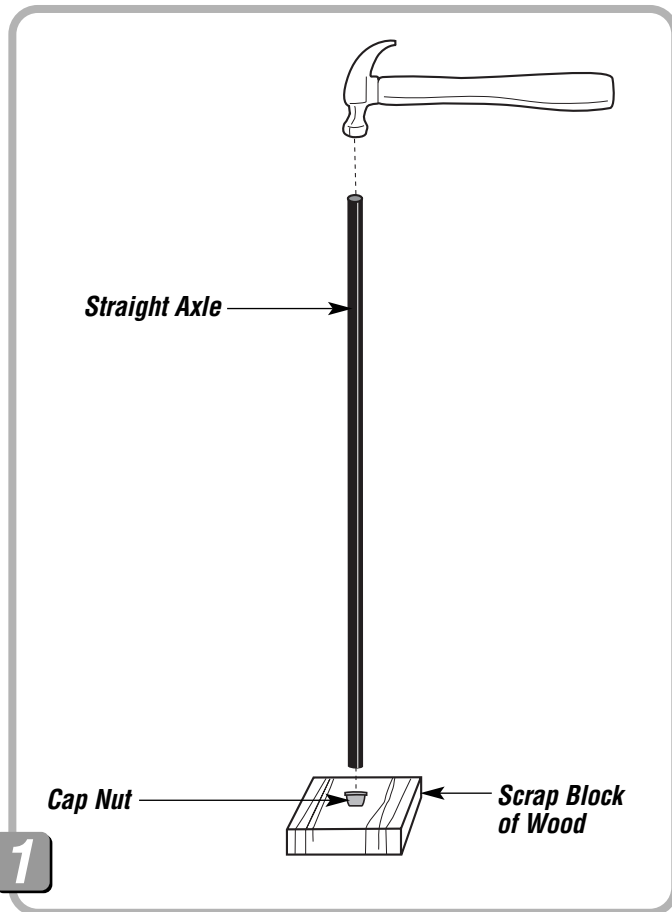


# Assembly

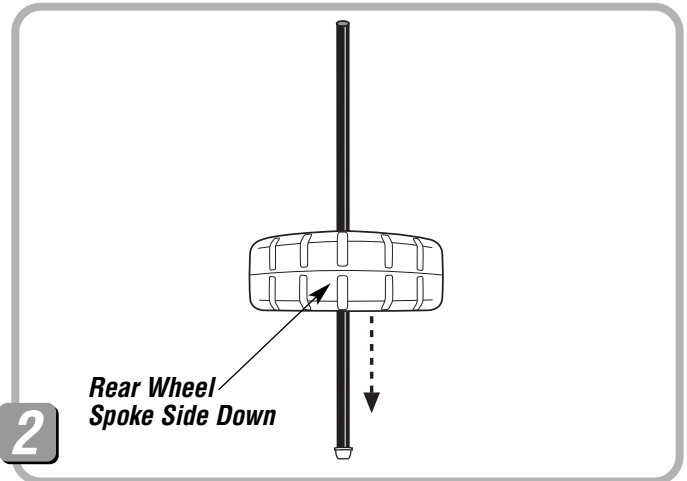
- Please save all packaging material until assembly is complete to ensure that no parts are discarded.
- Wipe each part with a clean, dry, cloth before assembling this product.

## ⚠ CAUTION

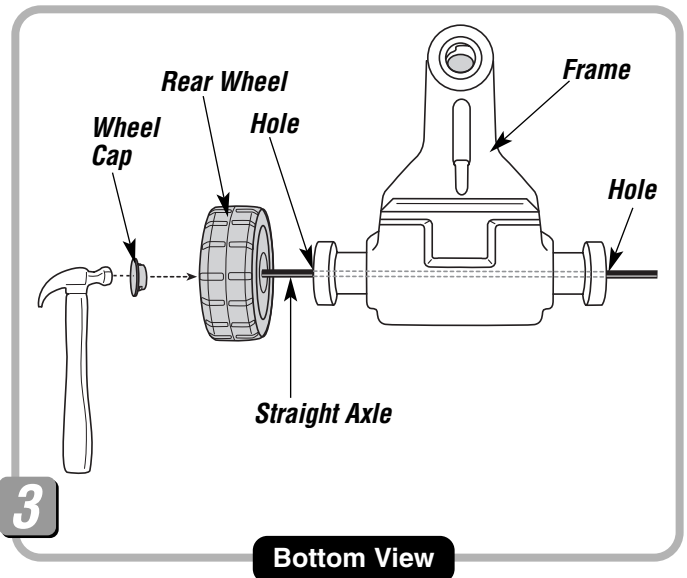
This product contains small parts in its unassembled state. Adult assembly is required.



- Place one end of the straight axle into the cap nut.
- Tap the end of the straight axle with a hammer. **Make sure the cap nut is securely attached to the straight axle.**

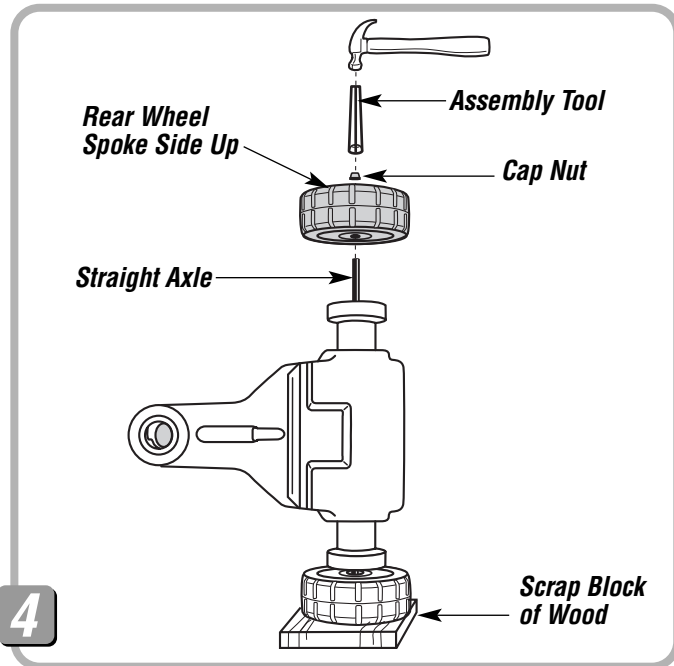


- Slide a rear wheel (*spoke side down*) onto the straight axle.



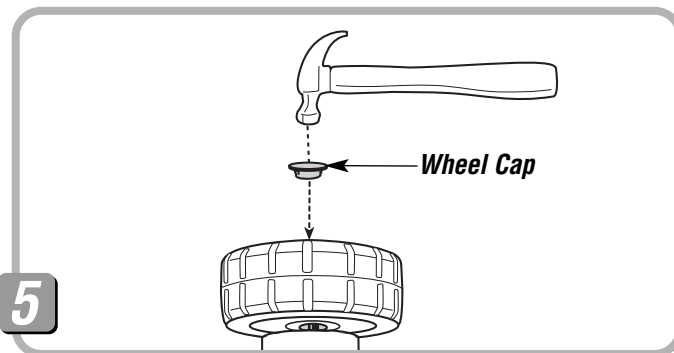
- Turn the frame upside down.
- Insert the straight axle assembly through the holes in the rear of the frame.
- Fit the wheel cap into the center of the wheel. Tap the wheel cap with a hammer to secure it to the wheel.

# Assembly



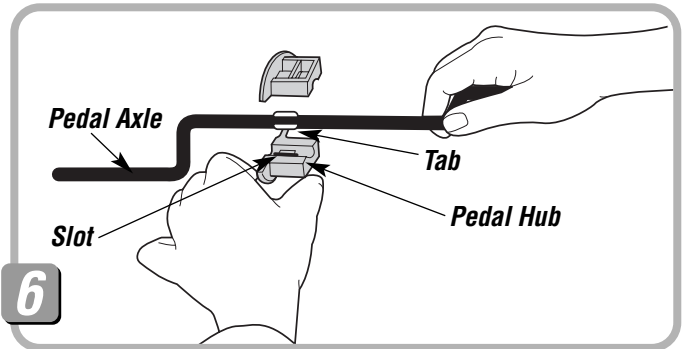
4

- Turn the frame on its side with the exposed end of the straight axle up.
- Slide the other rear wheel (*spoke side up*) onto the end of the straight axle.
- Place a cap nut on the end of the straight axle.
- Cover the cap nut with the assembly tool.
- Tap the assembly tool with a hammer. **Gently pull the rear wheel up to be sure the cap nut is securely attached to the straight axle.**



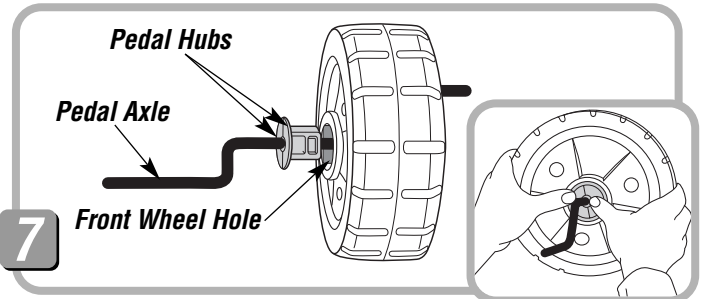
5

- Fit the wheel cap into the center of the wheel. Tap the wheel cap with a hammer to secure it to the wheel.
- Set the frame assembly aside.



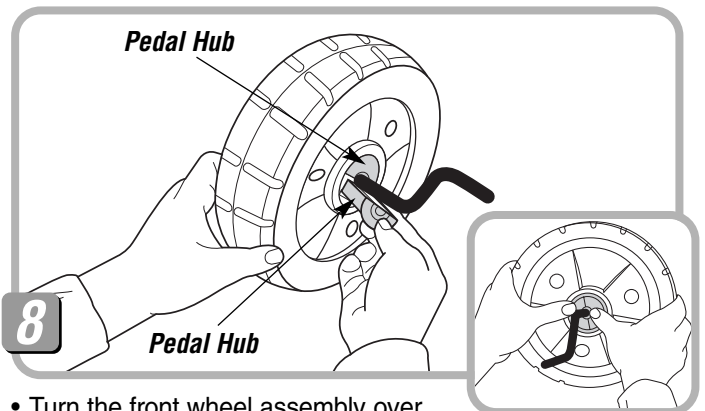
6

- Fit two pedal hubs onto the pedal axle tabs. Make sure the tabs fit into the slot in each pedal hub.



7

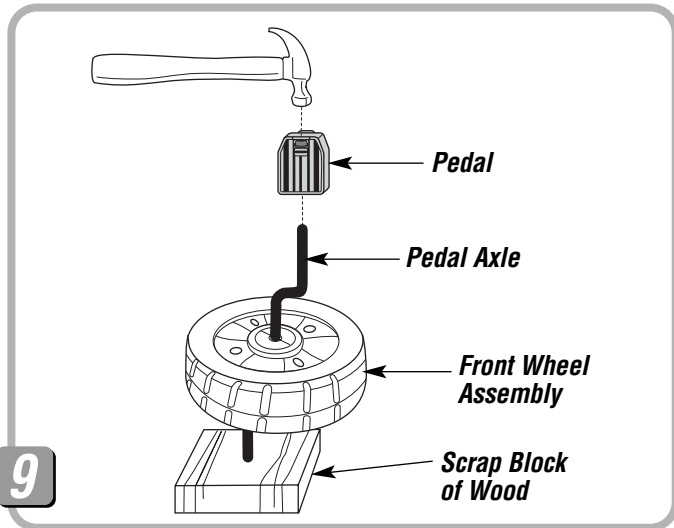
- While holding the pedal hubs on the pedal axle, insert the pedal axle into the hole in the center of the front wheel.
- Push the pedal hubs into the center of the front wheel until they are flush with the surface of the front wheel.



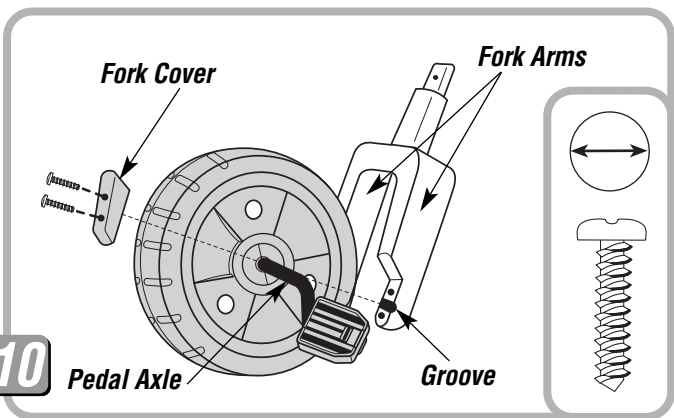
8

- Turn the front wheel assembly over.
- Insert the remaining pedal hubs on top of and below the pedal axle and into the hole in the center of the front wheel.
- Push the pedal hubs into the center of the front wheel until they are flush with the surface of the front wheel.

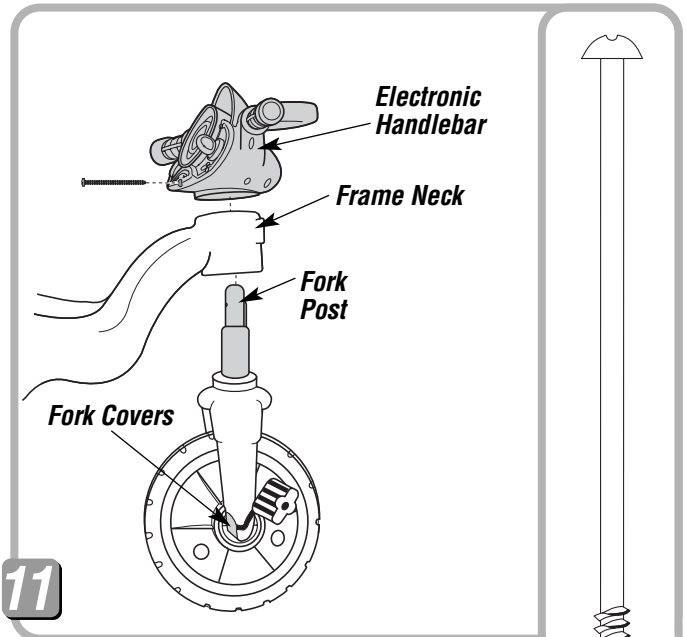
# Assembly



- Slide a pedal on the pedal axle. Tap the pedal with a hammer until it is secure.
- Pull the pedal up to be sure it is secure. If you can remove it, you have not secured it properly. Tap it with the hammer again.
- Repeat this procedure to attach the other pedal to the other end of the pedal axle.

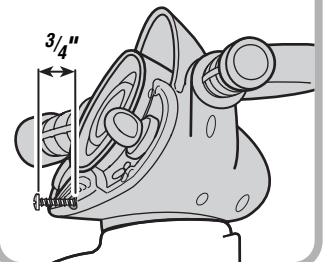


- Place the front wheel assembly between the fork arms. Make sure the pedal axle fits into the groove at the bottom of each fork arm.
- Place a fork cover over the pedal axle on one fork arm.
- Insert two #10 x  $\frac{3}{4}$ " screws into the fork cover and tighten.
- Repeat this procedure to attach the other fork cover to the other fork arm, using the #10 x  $\frac{3}{4}$ " screws.



- Turn the frame upright.
- Insert the fork post up through the hole in the frame neck. **Make sure the fork is positioned so that the fork covers face the rear wheels.**
- Place the electronic handlebar over the fork post and push it down onto the frame. Make sure the handlebar is positioned so that the screw hole faces the rear wheels and aligns with the screw hole in the fork post.
- Insert the #8 x 4" screw through the hole in the handlebar and into the fork post so that part of the screw (about  $\frac{3}{4}$ " ) is still visible. Tighten the screw.

**FIRST, insert the screw so that  $\frac{3}{4}$ " is visible. THEN, tighten the screw.**

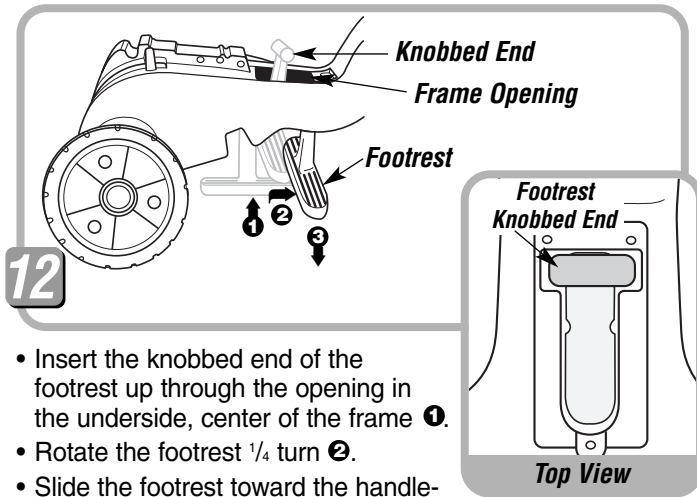


Fisher-Price, Inc., a subsidiary of Mattel, Inc., East Aurora, NY 14052, U.S.A.  
 ©2003 Mattel, Inc. All Rights Reserved.  
 ® and ™ designate U.S. trademarks of Mattel, Inc.

Printed in Mexico

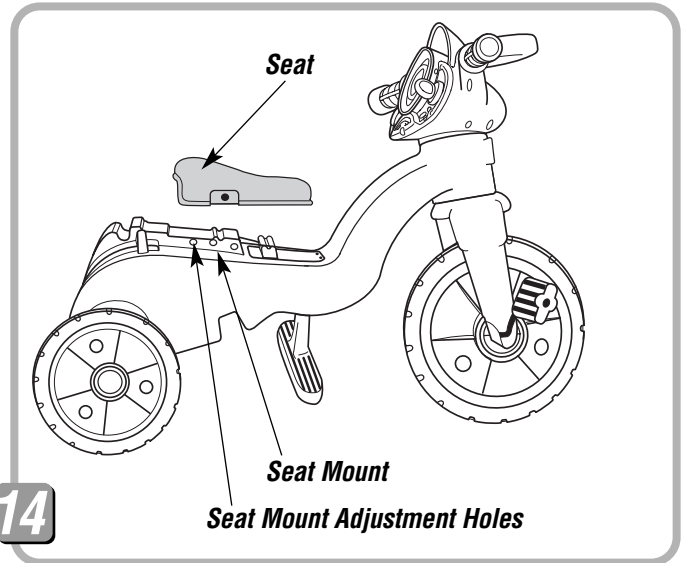
B2488pr-0920

# Assembly



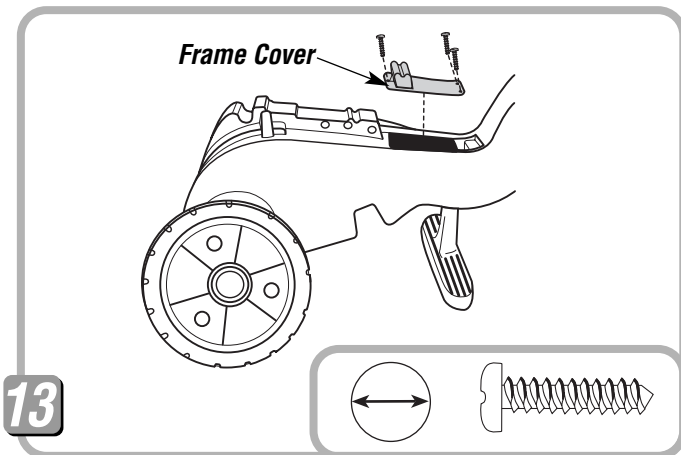
12

- Insert the knobbed end of the footrest up through the opening in the underside, center of the frame ❶.
- Rotate the footrest  $\frac{1}{4}$  turn ❷.
- Slide the footrest toward the handlebar as far as it will go until the top of the footrest is positioned over the opening's rectangular cut-out.
- Lower the knobbed end of the footrest into the rectangular cut-out in the frame ❸.



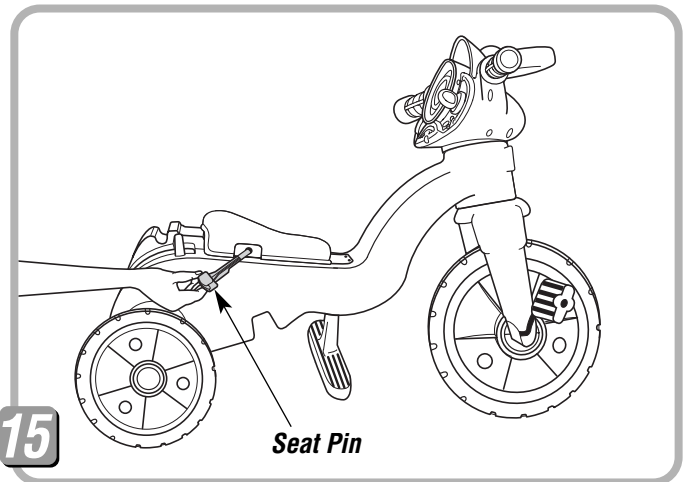
14

- Place the seat on the seat mount.
- Adjust the seat for your child's comfort by aligning the hole in the seat with one of the seat mount adjustment holes.



13

- Place the frame cover over the frame opening. Make sure the holes in the frame cover align with the holes on the frame.
- Insert three #10 x  $\frac{3}{4}$ " screws into the frame cover and tighten.

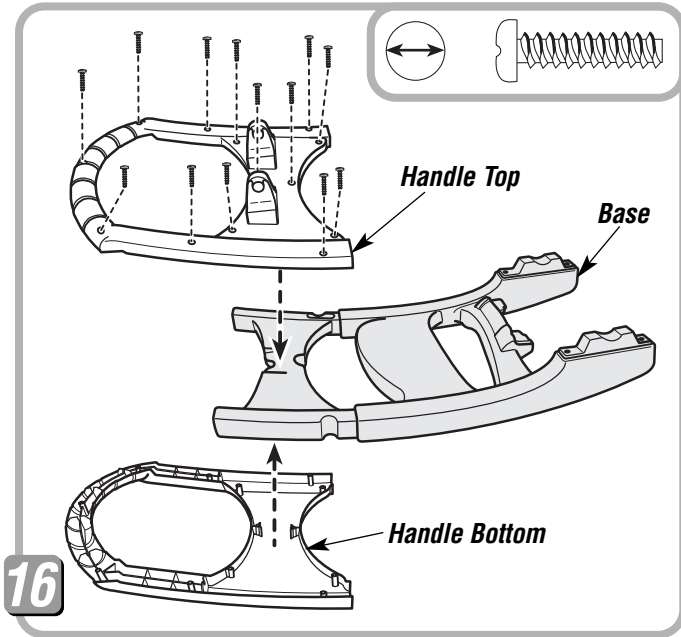


15

- While pushing down on the seat, insert the seat pin through the hole in the seat and into a seat mount adjustment hole.

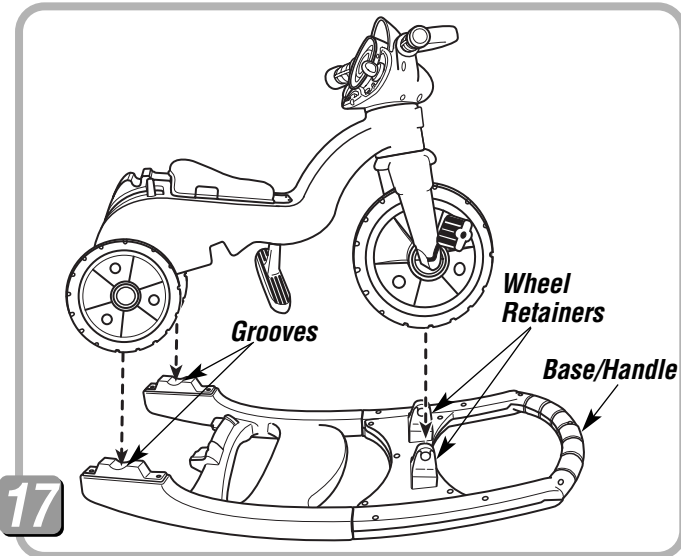


# Assembly



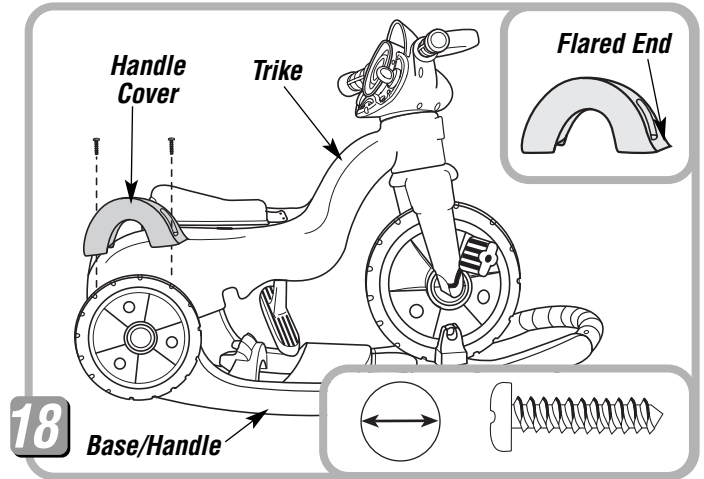
16

- Fit the handle top and bottom to the end of the base, as shown.
- Insert 13 - #8 x 3/4" screws into the handle top and tighten.



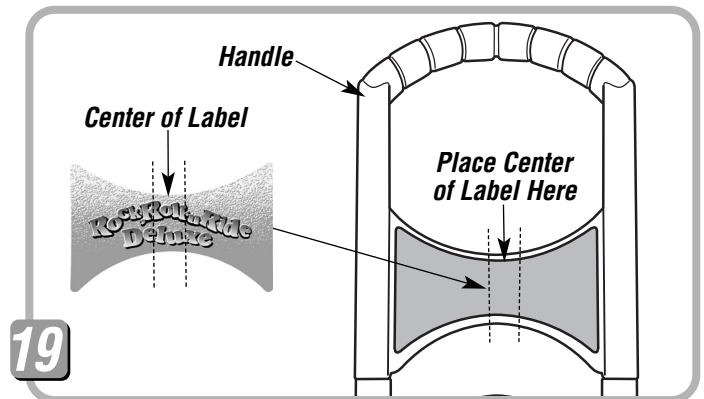
17

- Place the base/handle assembly on a flat surface so that the wheel retainers are upright.
- Fit the trike onto the base/handle assembly so that the rear frame rests in the grooves in the base and the front wheel fits between the wheel retainers in the base/handle.



18

- Position the base/handle covers so that the flared end faces the front of the trike.
- Fit the base/handle covers onto the trike rear frame near the rear wheels.
- Insert two #10 x 3/4" screws through each handle cover and tighten.

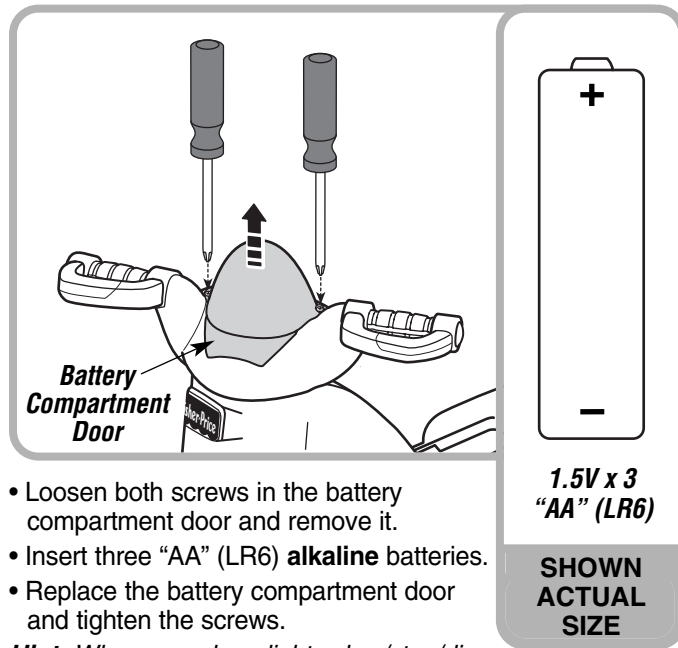


19

- Before applying the label, wipe the surface of the handle with a clean, dry cloth to remove any dust or oils.
- Remove the backing from the label.
- First, position the center of the label on the handle, as shown. Then, smooth each end of the label outward to attach it to the handle.
- For best results, avoid repositioning a label once it has been applied to the handle.



## Battery Installation



- Loosen both screws in the battery compartment door and remove it.
- Insert three "AA" (LR6) **alkaline** batteries.
- Replace the battery compartment door and tighten the screws.

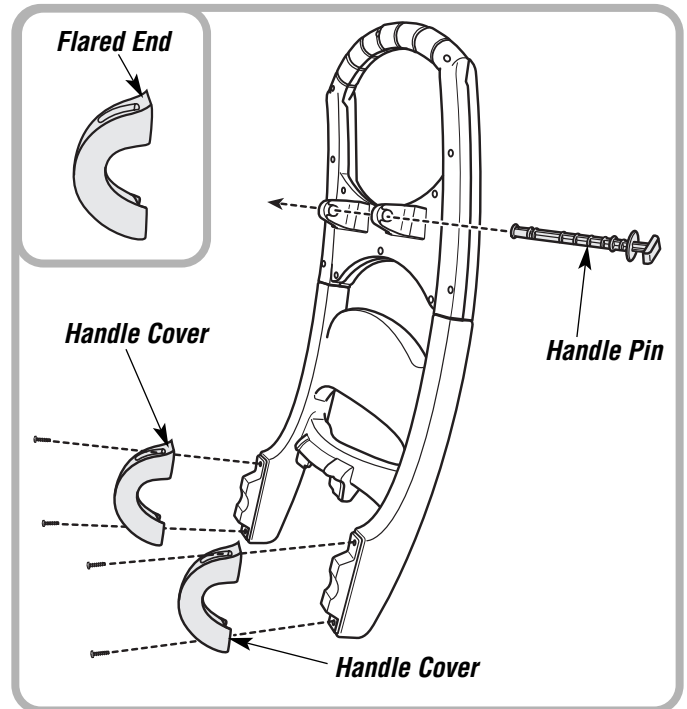
**Hint:** When sounds or lights slow/stop/dim, it's time to replace the batteries.

### Battery Safety Information

Batteries may leak fluids that can cause chemical burn injury or ruin your toy. To avoid battery leakage:

- Do not mix old and new batteries or batteries of different types: alkaline, standard (carbon-zinc) or rechargeable (nickel-cadmium).
- Insert batteries as indicated inside the battery compartment.
- Remove batteries during long periods of non-use. Always remove exhausted batteries from the toy. Dispose of batteries safely. Do not dispose of batteries in a fire. The batteries may explode or leak.
- Never short-circuit the battery terminals.
- Non-rechargeable batteries are not to be recharged.
- Use only batteries of the same or equivalent type as recommended.
- Do not charge non-rechargeable batteries.
- Remove rechargeable batteries from the toy before charging.
- If removable rechargeable batteries are used, they are only to be charged under adult supervision.

## Storage



**Hint:** To store for future use, position the handle covers with the flared end upright and attach them to the handle using the four screws. Insert the handle pin into either the holes in the base/handle or through the holes in the retainers. Store the base/handle in a safe place for future use in the rock or roll mode.

## Care

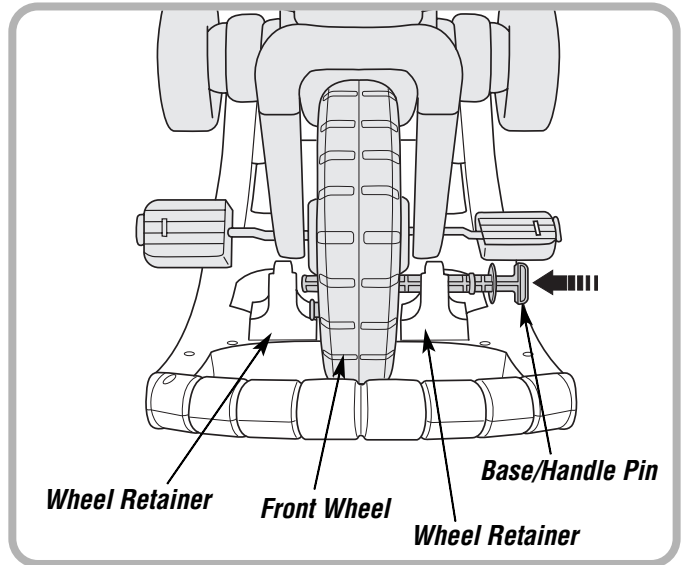
- Check plastic parts regularly and if broken or cracked, dispose of them properly.
- Check all fasteners regularly to be sure they are tight. If the fasteners are not tight, tighten them as necessary.
- To clean this product, use a mild soap and water solution and a clean cloth. Rinse clean with water to remove soap residue.
- Do not leave the trike outside in the rain. Water inside the electronic handlebar could cause it to malfunction.

## Rock Mode

**IMPORTANT!** This product emits flashing lights between 5-30 cycles per second in some modes of operation.

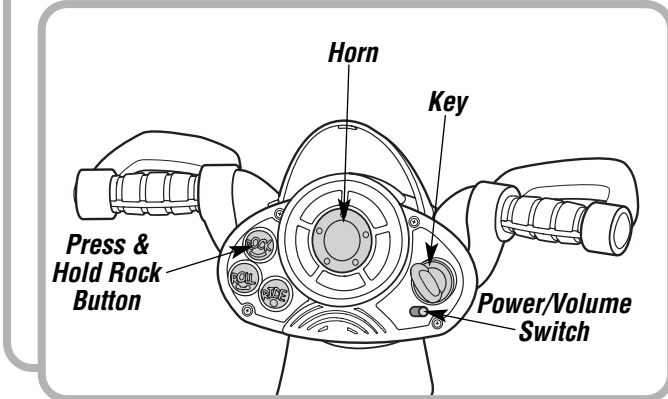


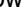


## Secure the Base



**IMPORTANT!** Be sure to adjust the seat in the most forward position for Rock mode.

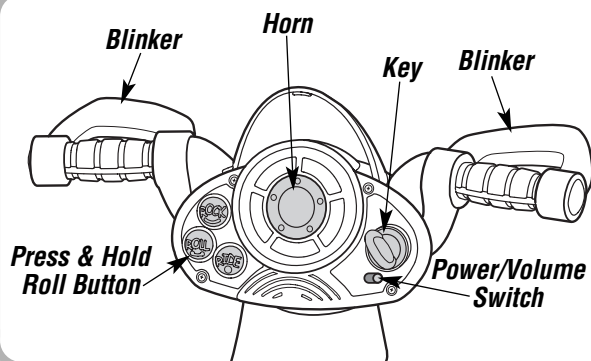
- Insert the base/handle pin through one wheel retainer, a hole in the front wheel and into the other wheel retainer.
- Push the handle pin to “**snap**” it into place. Pull on the handle pin to be sure it is secure.



- Slide the power/volume switch to  on with low volume or;  on with high volume.
- **Press and hold the rock button** until you see a light display and hear a short tune. You're in rock mode!
  - Listen to music and enjoy a light display *when your child rocks the trike.*
  - Turn the key to hear fun motor sounds.
  - Press the horn, “beep - beep”.
- Slide the power/volume switch to  to turn power off.

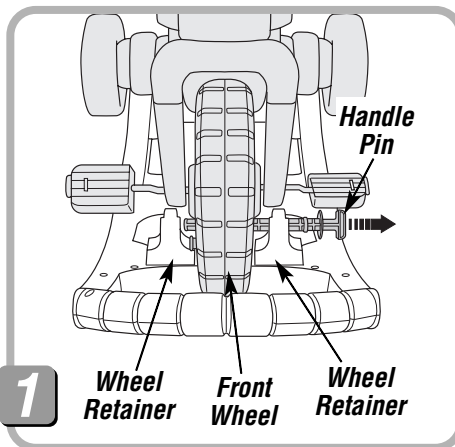
# Roll Mode

**IMPORTANT!** This product emits flashing lights between 5 - 30 cycles per second in some modes of operation.

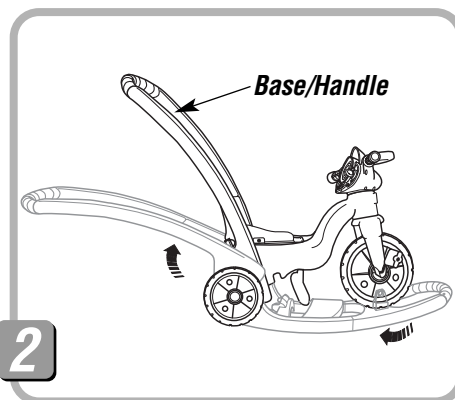


- Slide the power/volume switch to on with low volume or; on with high volume.
- **Press and hold the roll button** until the blinkers flash and you hear a fun sound effect. You're ready to roll!
  - When your child turns the handlebar, the left or right blinker flashes, while fun music plays along to a dancing light display.
  - Turn the key to hear fun motor sounds.
  - Press the horn, "beep - beep".
- Slide the power/volume switch to to turn power off.

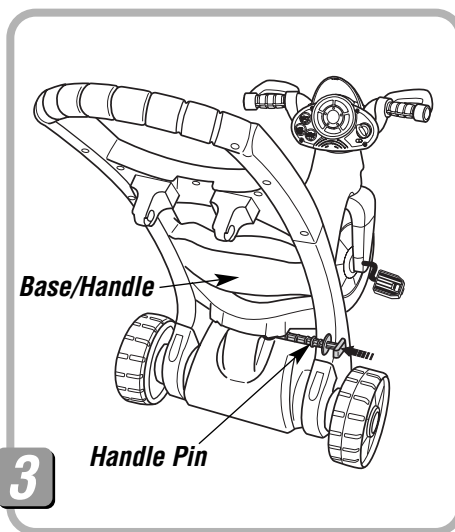
## Convert to Roll Mode



- If you are converting from the rock mode, remove the handle pin from the wheel retainers and front wheel.



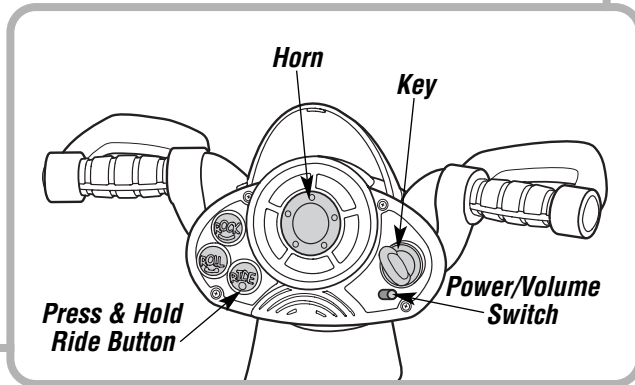
- Rotate the base/handle to the upright position.



- Insert the handle pin through one side of the base/handle, through the holes in the back of the frame and out through the hole in the other side of the base/handle. **Make sure the handle pin "snaps" into place.**
- Pull on the handle pin to be sure it is secure.

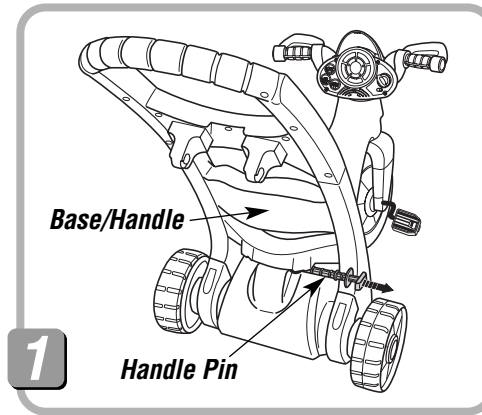
# Ride Mode

**IMPORTANT!** This product emits flashing lights between 5 - 30 cycles per second in some modes of operation.

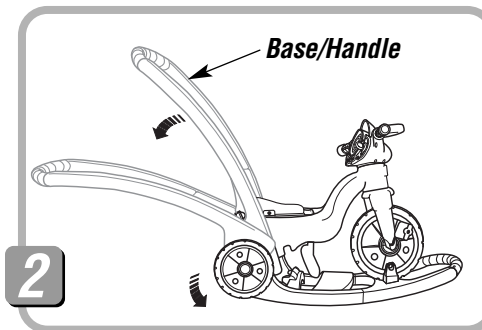


- Slide the power/volume switch to on with low volume or; on with high volume.
- **Press and hold the ride button** until the blinkers flash and you hear a fun sound effect. Let's ride!
  - Your child listens to cool motor sounds and sees moving lights while riding along.
  - Turn the key to hear fun motor sounds.
  - Press the horn, "beep - beep".
- Slide the power/volume switch to to turn power off.

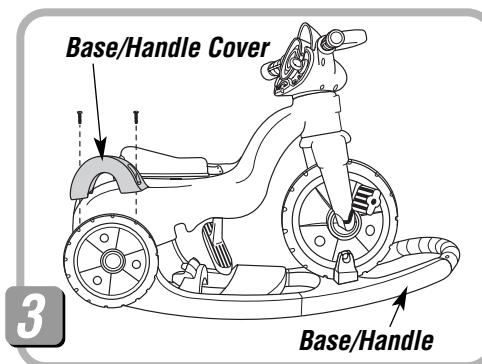
## Convert to Ride Mode



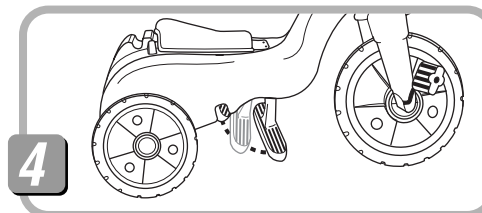
- If you are converting from the roll mode, remove the handle pin from the base/handle and the back of the frame.



- Rotate the base/handle down, under the trike, to the rock position.



- Remove the screws from the base/handle covers.
- Remove the base/handle covers.
- Remove the base/handle.



- Rotate the footrest up and snap it into the recess in the underside of the frame.

## Free Manuals Download Website

<http://myh66.com>

<http://usermanuals.us>

<http://www.somanuals.com>

<http://www.4manuals.cc>

<http://www.manual-lib.com>

<http://www.404manual.com>

<http://www.luxmanual.com>

<http://aubethermostatmanual.com>

Golf course search by state

<http://golfingnear.com>

Email search by domain

<http://emailbydomain.com>

Auto manuals search

<http://auto.somanuals.com>

TV manuals search

<http://tv.somanuals.com>