

130 CVX

5" Polyglass woofer

- Built-in audiophile crossover
- Polyglass cone
- Adjustable inverted dome tweeter



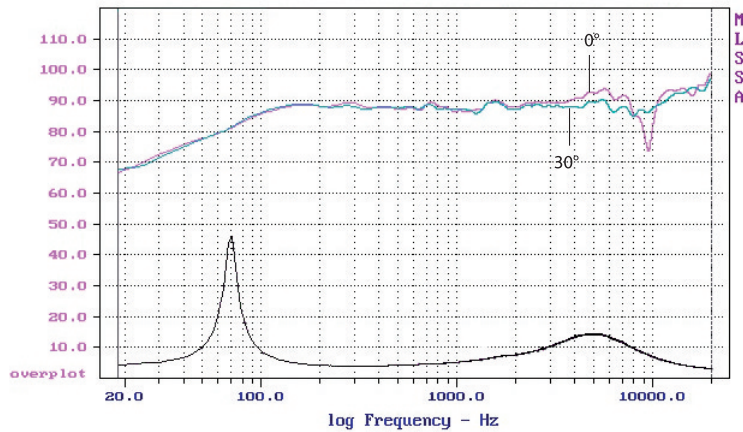
Specifications

Nominal power	50 W	
Maximum power	100 W	
Sensitivity	91 dB	
Cone	Polyglass	
Surround	Butyl	
Nom. impedance	4 ohms	
DC resistance (in parallel)	3.36 ohms	
VC diameter	25 mm	1 in.
VC height	11 mm	7/16 in.
Former	Kapton®	
Layers	2	
Wire	Copper	
Inductance		
Xmax	2.5 mm	1/16 in.
Magnet (d x h)	85x15mm	3-1/3x9/16 in.
Magnet weight	0.3 kg	0.66 lb
Flux density	1.1T	
Gap height	5.5 mm	3/16 in.
Net weight	0.85 kg	1.87 lb

Frequency response / Impedance

Sealed enclosure

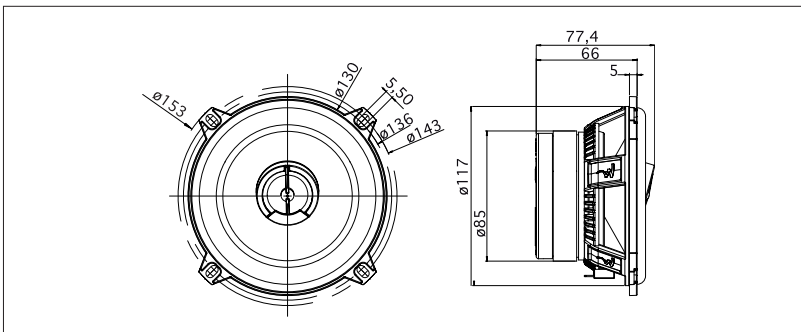
0° and 30° frequency response



Parameters

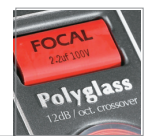
Fs	70.16 Hz	
Vas	13.22 l	
Qts	0.55	
Qes	0.59	
Qms	8.13	
Re (in parallel)	3.36 ohms	
Sd	132.73 cm ²	
Cas	9.4E-08 m ⁵ /N	
Mas	54.66 kg/m ⁴	
Ras	2936.82 ohms.ac	
Cms	5.34E-04 m/N	
Mms	9.63 g	
Rms	0,522 kg/s	
Ces	398.33 mF	
Les	12.92 mH	
Res	46.3 ohms	
BI	4.92 N/A	
SPL	86.8 dB/W/m	

Mechanical Drawing



Suggested application

Load	V (l)	FB (Hz)	F-3 (Hz)
Sealed	30	-	76



CANADA USA

ORCA INDUSTRIES INC. DESIGN & MANUFACTURING CORP.
 WWW.ORCAINDUSTRIES.CA WWW.ORCADESIGN-MOBILE.COM
 Unit 104, 20119-113B Avenue, Maple Ridge, BC V2X 0Z1 804 Calle Plano Camarillo, CA 93012-8557
 Toll Free: 877.711.3711 | Tel: 604.460.0913 Toll Free: 888.340.4403 | Tel: 805.484.4355
 Fax: 604.460.0932 | eMail: info@orcaindustries.ca Fax: 805.484.5098 | eMail: info@ocadesign.com

Free Manuals Download Website

<http://myh66.com>

<http://usermanuals.us>

<http://www.somanuals.com>

<http://www.4manuals.cc>

<http://www.manual-lib.com>

<http://www.404manual.com>

<http://www.luxmanual.com>

<http://aubethermostatmanual.com>

Golf course search by state

<http://golfingnear.com>

Email search by domain

<http://emailbydomain.com>

Auto manuals search

<http://auto.somanuals.com>

TV manuals search

<http://tv.somanuals.com>