

130 KRC

5" K2 Power 2 way coaxial kit

- Adjustable Tweeter
- Zamac basket
- K2 power composite sandwich cone



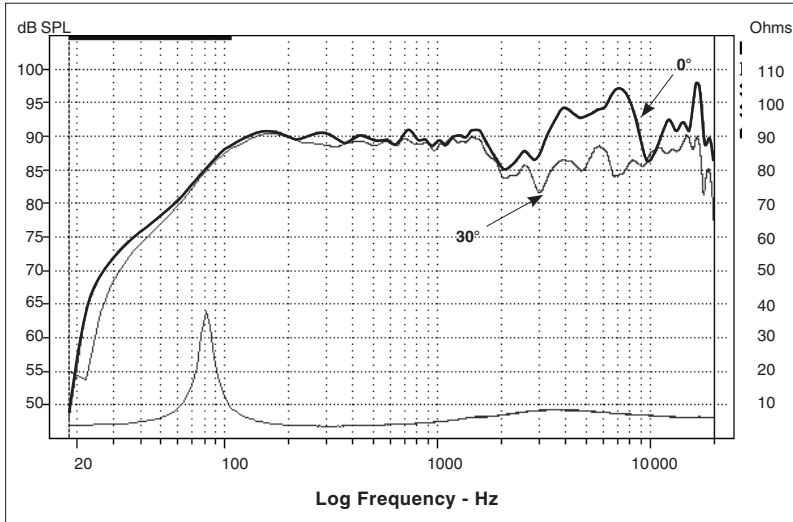
Specifications

Nominal power	70W	
Maximum power	140W	
Sensitivity	92dB	
Cone	CKMV	
Surround	Butyl	
Nom. impedance	4 ohms	
DC resistance	3.19 ohms	
VC diameter	25mm	1 in
VC height	10mm	7/16 in
Former	Kapton®	
Layers	2	
Wire	Copper	
Inductance	0,2mh	
Xmax	2mm	1/16 in
Magnet d x h	85 x 17mm	3-1/3x9/16 in
Magnet weight	0.4kg	0,88 lb
Flux density	1T	
Gap height	4mm	3/16 in
Net weight	1.1kg	2,43 lb

Parameters

Fs	85.04Hz
Vas	4.79l
Qts	0.649
Qes	0.7
Qms	8.83
Re	3.19 ohms
Sd	86.59cm ²
Cas	3.41E-08 m5/N
Mas	102.7kg/m4
Ras	6214.36 ohms.ac
Cms	4.55E-04 m/N
Mms	7.7g
Rms	0.466kg/s
Ces	410.68mF
Les	8.53mH
Res	40.24 ohms
BI	4.33 N/A
SPL	88dB/W/m

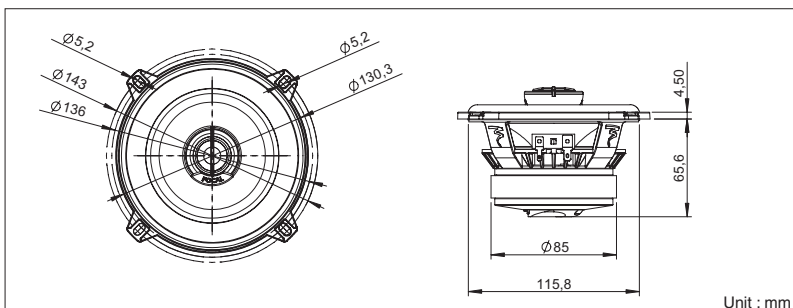
Frequency Response / Impedance



Suggested application

Load	V (l)	Fb (Hz)	F-3 (Hz)	Ql
Sealed	30	-	92,7	7

Mechanical Drawing



Focal® is a trademark of Focal-JMlab® - BP 374 - 108, rue de l'Avenir - 42353 La Talaudière cedex France - Tél. (33) 04 77 43 57 00 - Fax (33) 04 77 37 65 87 - www.focal-fr.com - SCBD080418/1

Free Manuals Download Website

<http://myh66.com>

<http://usermanuals.us>

<http://www.somanuals.com>

<http://www.4manuals.cc>

<http://www.manual-lib.com>

<http://www.404manual.com>

<http://www.luxmanual.com>

<http://aubethermostatmanual.com>

Golf course search by state

<http://golfingnear.com>

Email search by domain

<http://emailbydomain.com>

Auto manuals search

<http://auto.somanuals.com>

TV manuals search

<http://tv.somanuals.com>